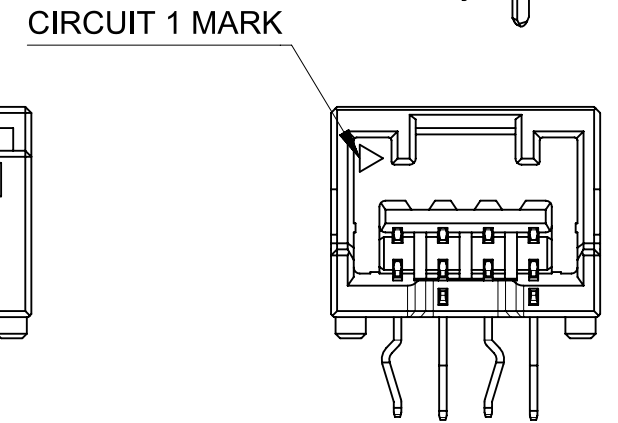
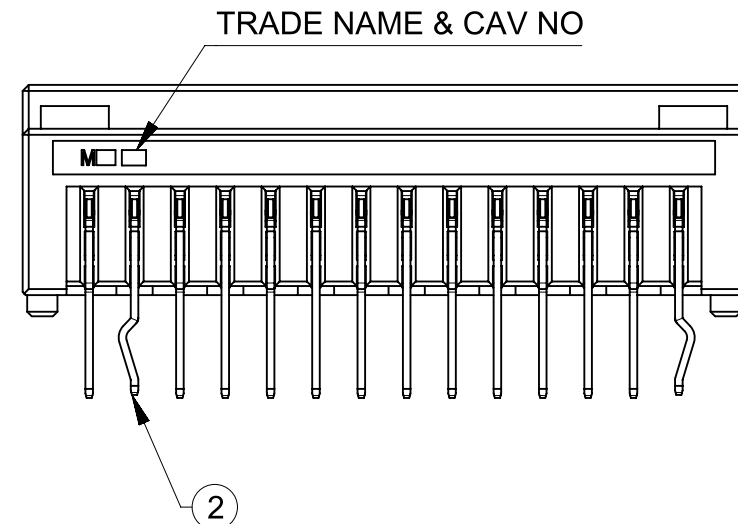
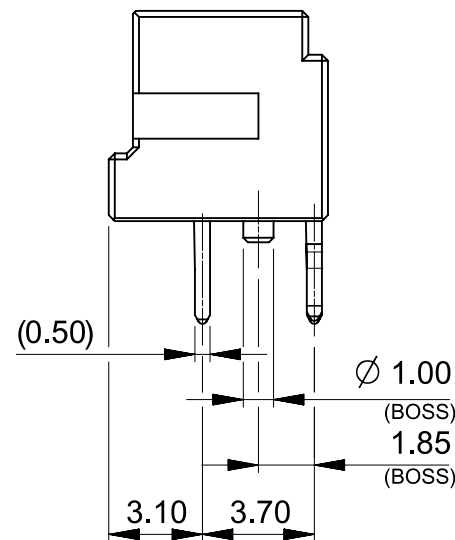
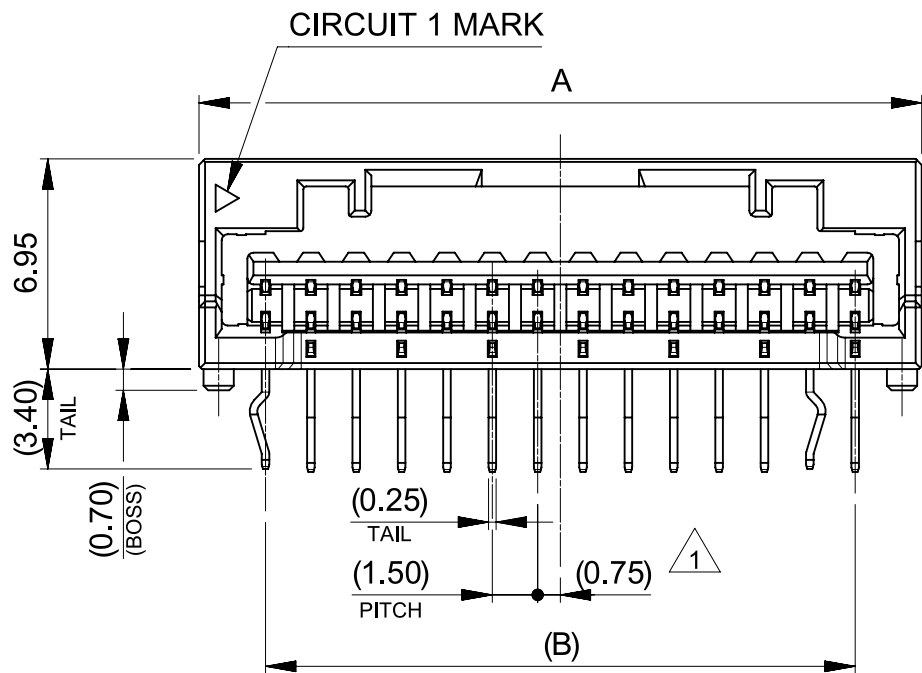
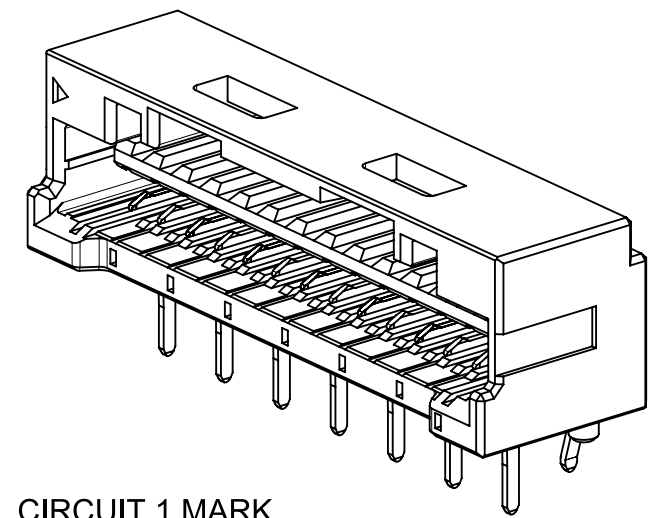


**NOTES**

- ① 極数/2 = 偶数に適応  
APPLY FOR CIRCUIT SIZE / 2 =EVEN
- 2. 適用製品及び各種仕様書はSHEET 3を参照のこと  
REFER TO SHEET 3 ABOUT APPLICABLE PRODUCTS AND VARIOUS SPECIFICATIONS.

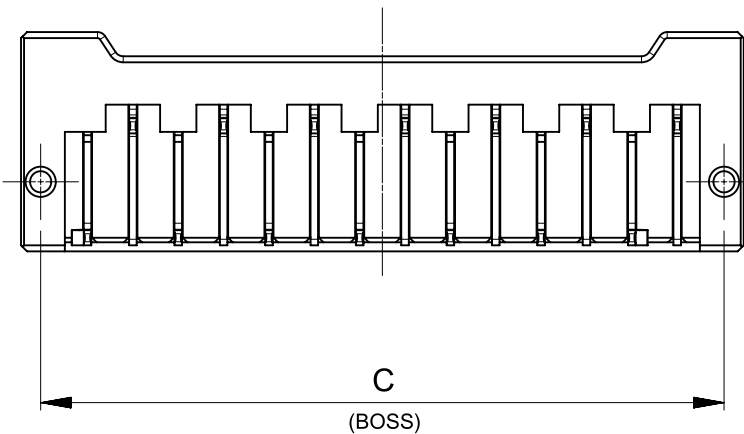


2~11極 CKT1マーク位置  
MARK POSITION AT 2~11 CKTS

③ オーダー番号(製品番号) :  
ORDER No(MATERIAL No) :  
**503175 \*\*\*\***

シリーズ番号 SERIES NO  
極数 CIRCUIT SIZE  
色 COLOR  
ボス有無 WITH OR WITHOUT BOSS

|      |         |      |      |         |                  |
|------|---------|------|------|---------|------------------|
| 24.1 |         | 21   | 25.4 |         | 15               |
| 22.6 |         | 19.5 | 23.9 |         | 14               |
| 21.1 |         | 18   | 22.4 |         | 13               |
| 19.6 |         | 16.5 | 20.9 |         | 12               |
| 18.1 |         | 15   | 19.4 |         | 11               |
| 16.6 | ±0.25   | 13.5 | 17.9 | ±0.25   | 10               |
| 15.1 |         | 12   | 16.4 |         | 9                |
| 13.6 |         | 10.5 | 14.9 |         | 8                |
| 12.1 |         | 9    | 13.4 |         | 7                |
| 10.6 |         | 7.5  | 11.9 |         | 6                |
| 9.1  |         | 6    | 10.4 |         | 5                |
| 7.6  | (±0.20) | 4.5  | 8.9  |         | 4                |
| 6.1  |         | 3    | 7.4  | (±0.20) | 3                |
| 4.6  |         | 1.5  | 5.9  |         | 2                |
|      | C       | B    | A    |         | 極数<br>CIRCUIT NO |



| CIRCUIT    | BOSS        | COLOR                          |
|------------|-------------|--------------------------------|
| 02~15      | 0 WITH BOSS | 0 ナチュラル (ベージュ) NATURAL (BEIGE) |
|            |             | 1 黒 BLACK                      |
|            |             | 2 赤 RED                        |
|            |             | 3 黄 YELLOW                     |
|            | 1 W/O BOSS  | 4 青 BLUE                       |
|            |             | 5 桃 PINK                       |
|            |             | 6 緑 GREEN                      |
|            |             | 7 茶 BROWN                      |
|            |             | 8 橙 ORANGE                     |
| 9 紫 VIOLET |             |                                |

THIS DRAWING CONTAINS INFORMATION THAT IS PROPRIETARY TO MOLEX ELECTRONIC TECHNOLOGIES, LLC AND SHOULD NOT BE USED WITHOUT WRITTEN PERMISSION

|  |         |                   |                 |
|--|---------|-------------------|-----------------|
| DIMENSION UNITS                                      | SCALE   | CURRENT REV DESC: |                 |
| mm   | NTS     |                   |                 |
| GENERAL TOLERANCES (UNLESS SPECIFIED)                |         |                   |                 |
| ANGULAR TOL  | ± 3.0 ° | EC NO: 632623     |                 |
| 4 PLACES   | ± 0.2   | DRWN: MIKEDA01    | 2019/07/19      |
| 3 PLACES   | ± 0.2   | CHK'D: SAKIYAMA   | 2020/02/28      |
| 2 PLACES   | ± 0.2   | APPR: KOMURAKAMI  | 2020/03/03      |
| 1 PLACE  | ± 0.2   | INITIAL REVISION: |                 |
| 0 PLACES   | ± 0.2   | DRWN: MIKEDA01    | 2019/07/19      |
| DRAFT WHERE APPLICABLE MUST REMAIN WITHIN DIMENSIONS |         | APPR: KOMURAKAMI  | 2020/03/03      |
| THIRD ANGLE PROJECTION                               | DRAWING | SERIES            | MATERIAL NUMBER |
|  | A3-SIZE | 503175            | 503175****      |
| CUSTOMER   |         | SHEET NUMBER      |                 |
| GENERAL  |         | 1 OF 4            |                 |

**molex**

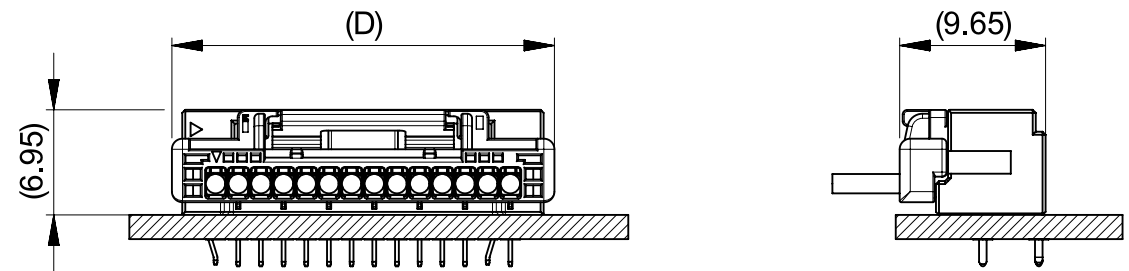
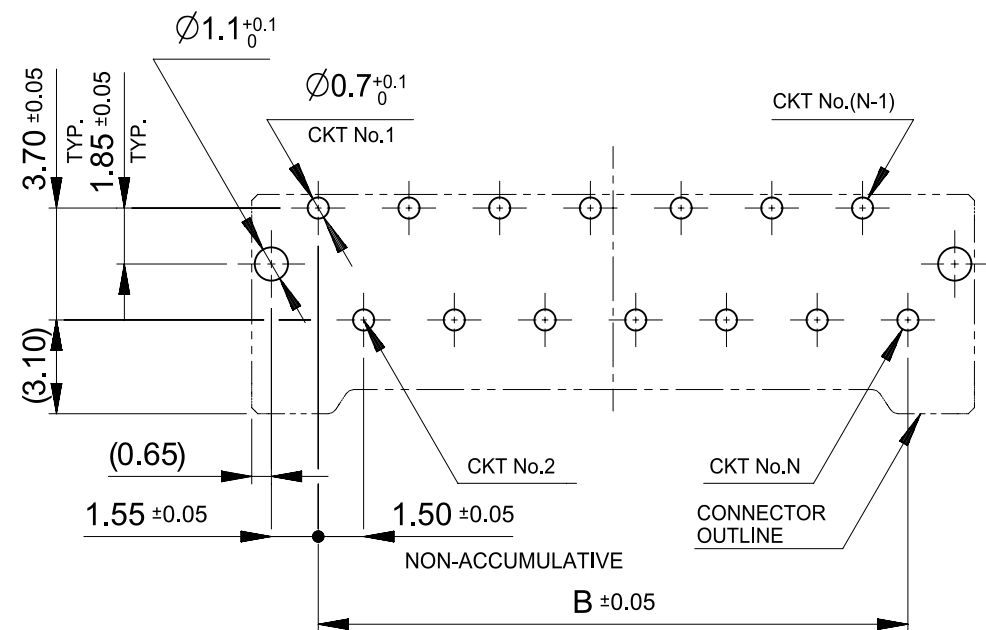
CLIK-MATE 1.5 DIP R/A  
SINGLE ROW DIP R/A TYPE

PRODUCT CUSTOMER DRAWING

DOCUMENT NUMBER: 5031750000-SD  
DOC TYPE: PSD  
DOC PART: 000  
REVISION: A

| 番号 NO. | 部品 PART        | 材質 MATERIAL  |
|--------|----------------|--|
| ①      | ハウジング HOUSING  | ポリアミド(PA) UL94V-0 色 : SEE CHART<br>POLYAMIDE(PA) UL94V-0 COLOR : SEE CHART                                     |
| ②      | ターミナル TERMINAL | 銅合金<br>COPPER ALLOY  |
|        |                | 錫めっき : 1.0 micro-meter MIN<br>MATTE TIN PLATING<br>ニッケルめっき(下地) : 1.0 micro-meter MIN<br>NICKEL (UNDER PLATING) |

DOCUMENT STATUS: P1 | RELEASE DATE: 2020/03/03 | 06:59:10



嵌合図  
MATED CONNECTORS

基板取付穴推奨寸法(マウント面)  
RECOMMENDED PCB HOLE DIMENSION  
(MOUNTING SIDE) (t=1.6)

適用製品及び各種仕様書  
APPLICABLE PRODUCTS AND VARIOUS SPECIFICATIONS

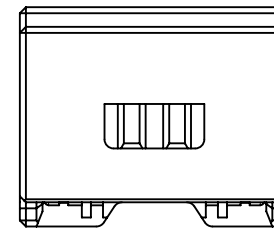
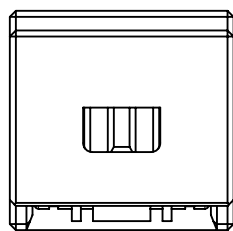
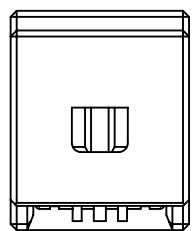
|                                  |                            |                 |
|----------------------------------|----------------------------|-----------------|
| 梱包仕様書<br>PACKAGING SPECIFICATION | PART NUMBER                | DOCUMENT NUMBER |
|                                  | 503175 **0*<br>503175 **1* | SPK-503175-001  |

|  |               |          |        |
|--|---------------|----------|--------|
| 適用嵌合相手<br>MATE WITH                      | HOUSING       | TERMINAL |        |
| シリーズ番号<br>SERIES NUMBER                  |               | #24-28   | #26-30 |
| 製品仕様書<br>PRODUCT SPECIFICATION           | 502578        | 502579   | 503429 |
| アプリケーション仕様書<br>APPLICATION SPECIFICATION | 5025780002-PS |          |        |
|  | AS-502578-001 |          |        |

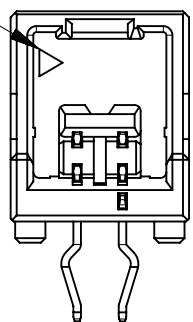
THIS DRAWING CONTAINS INFORMATION THAT IS PROPRIETARY TO MOLEX ELECTRONIC TECHNOLOGIES, LLC AND SHOULD NOT BE USED WITHOUT WRITTEN PERMISSION

|  |              |                             |         |                          |          |          |              |  |
|--|--------------|-----------------------------|---------|--------------------------|----------|----------|--------------|--|
| DIMENSION UNITS<br>mm                                | SCALE<br>NTS | CURRENT REV DESC:           |         | <b>molex</b>             |          |          |              |  |
| GENERAL TOLERANCES (UNLESS SPECIFIED)                |              | EC NO: 632623               |         |                          |          |          |              | CLIK-MATE 1.5 DIP R/A<br>SINGLE ROW DIP R/A TYPE |
| ANGULAR TOL  | ± 3.0 °      | DRWN: MIKEDA01 2019/07/19   |         | PRODUCT CUSTOMER DRAWING |          |          |              |  |
| 4 PLACES   | ± 0.2        | CHK'D: SAKIYAMA 2020/02/28  |         | DOCUMENT NUMBER          |          |          |              |  |
| 3 PLACES   | ± 0.2        | APPR: KOMURAKAMI 2020/03/03 |         | 5031750000-SD            |          | DOC TYPE | DOC PART     | REVISION   |
| 2 PLACES   | ± 0.2        | INITIAL REVISION:           |         | 503175****               |          | GENERAL  | 000          | A  |
| 1 PLACE  | ± 0.2        | DRWN: MIKEDA01 2019/07/19   |         | MATERIAL NUMBER          |          | CUSTOMER |              | SHEET NUMBER                                     |
| 0 PLACES   | ± 0.2        | APPR: KOMURAKAMI 2020/03/03 |         | 503175                   |          | GENERAL  |              | 2 OF 4   |
| DRAFT WHERE APPLICABLE MUST REMAIN WITHIN DIMENSIONS |              | THIRD ANGLE PROJECTION      | DRAWING | SERIES                   | CUSTOMER |          | SHEET NUMBER |  |
|  |              |                             | A3-SIZE | 503175                   | GENERAL  |          | 2 OF 4       |  |

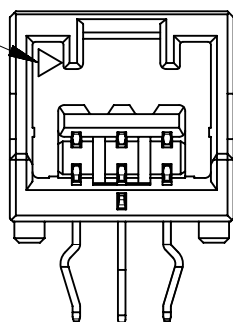
極数別ハウジング形状  
HOUSING SHAPE AT EACH CKT



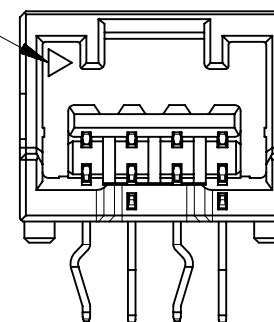
CIRCUIT 1 MARK



CIRCUIT 1 MARK



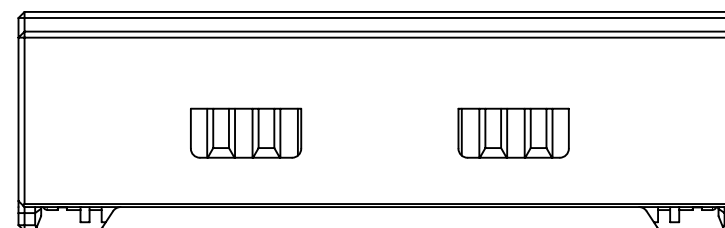
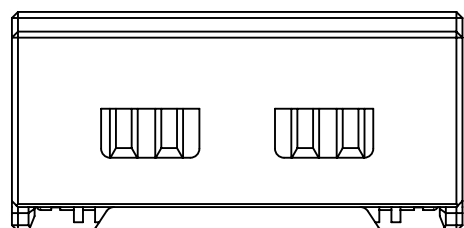
CIRCUIT 1 MARK



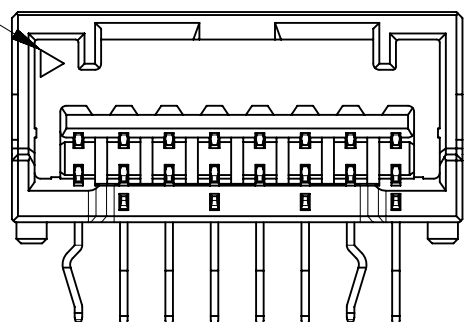
2極  
2 CIRCUITS

3極  
3 CIRCUITS

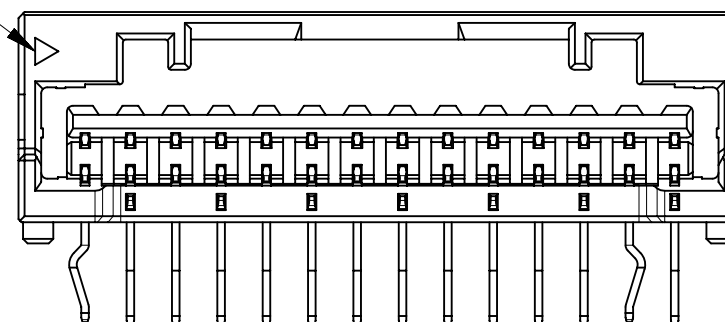
4~5極  
4-5 CIRCUITS



CIRCUIT 1 MARK



CIRCUIT 1 MARK

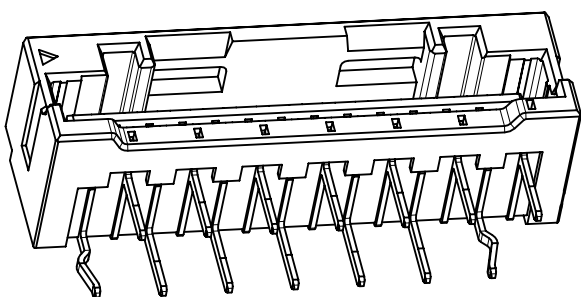
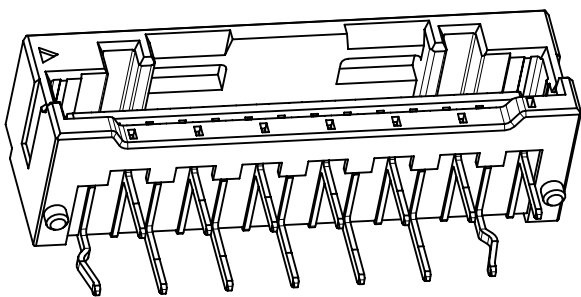


6~11極  
6-11 CIRCUITS

12~15極  
12-15 CIRCUITS

|   |         |                        |            |  |                 |
|---|---------|------------------------|------------|--|-----------------|
| THIS DRAWING CONTAINS INFORMATION THAT IS PROPRIETARY TO MOLEX ELECTRONIC TECHNOLOGIES, LLC AND SHOULD NOT BE USED WITHOUT WRITTEN PERMISSION |         | CURRENT REV DESC:      |            | <b>molex</b>                                     |                 |
| DIMENSION UNITS   | SCALE   |                        |            |  |                 |
| mm  | NTS     |                        |            | CLIK-MATE 1.5 DIP R/A<br>SINGLE ROW DIP R/A TYPE |                 |
| GENERAL TOLERANCES<br>(UNLESS SPECIFIED)  |         | EC NO: 632623          |            | PRODUCT CUSTOMER DRAWING                         |                 |
| ANGULAR TOL   | ± 3.0 ° | DRWN: MIKEDA01         | 2019/07/19 | DOCUMENT NUMBER                                  |                 |
| 4 PLACES  | ± 0.2   | CHK'D: SAKIYAMA        | 2020/02/28 | 5031750000-SD                                    |                 |
| 3 PLACES  | ± 0.2   | APPR: KOMURAKAMI       | 2020/03/03 | DOC TYPE   | DOC PART        |
| 2 PLACES  | ± 0.2   | INITIAL REVISION:      |            | PSD  | 000             |
| 1 PLACE   | ± 0.2   | DRWN: MIKEDA01         | 2019/07/19 | REVISION   |                 |
| 0 PLACES  | ± 0.2   | APPR: KOMURAKAMI       | 2020/03/03 | A  |                 |
| DRAFT WHERE APPLICABLE<br>MUST REMAIN<br>WITHIN DIMENSIONS  |         | THIRD ANGLE PROJECTION | DRAWING    | SERIES   | MATERIAL NUMBER |
|   |         |                        | A3-SIZE    | 503175   | CUSTOMER        |
|   |         |                        |            |  | GENERAL         |
|   |         |                        |            |  | SHEET NUMBER    |
|   |         |                        |            |  | 3 OF 4          |

製品一覧  
PRODUCTS LIST



| ボス有 WITH BOSS      |             |             |             |             |             |             |             |             |                               | BOSS             |
|--------------------|-------------|-------------|-------------|-------------|-------------|-------------|-------------|-------------|-------------------------------|------------------|
| 紫<br>VIOLET        | 橙<br>ORANGE | 茶<br>BROWN  | 緑<br>GREEN  | 桃<br>PINK   | 青<br>BLUE   | 黄<br>YELLOW | 赤<br>RED    | 黒<br>BLACK  | ナチュラル(ベージュ)<br>NATURAL(BEIGE) | HOUSING<br>COLOR |
| 503175 1509        | 503175 1508 | 503175 1507 | 503175 1506 | 503175 1505 | 503175 1504 | 503175 1503 | 503175 1502 | 503175 1501 | 503175 1500                   | 15               |
| 503175 1409        | 503175 1408 | 503175 1407 | 503175 1406 | 503175 1405 | 503175 1404 | 503175 1403 | 503175 1402 | 503175 1401 | 503175 1400                   | 14               |
| 503175 1309        | 503175 1308 | 503175 1307 | 503175 1306 | 503175 1305 | 503175 1304 | 503175 1303 | 503175 1302 | 503175 1301 | 503175 1300                   | 13               |
| 503175 1209        | 503175 1208 | 503175 1207 | 503175 1206 | 503175 1205 | 503175 1204 | 503175 1203 | 503175 1202 | 503175 1201 | 503175 1200                   | 12               |
| 503175 1109        | 503175 1108 | 503175 1107 | 503175 1106 | 503175 1105 | 503175 1104 | 503175 1103 | 503175 1102 | 503175 1101 | 503175 1100                   | 11               |
| 503175 1009        | 503175 1008 | 503175 1007 | 503175 1006 | 503175 1005 | 503175 1004 | 503175 1003 | 503175 1002 | 503175 1001 | 503175 1000                   | 10               |
| 503175 0909        | 503175 0908 | 503175 0907 | 503175 0906 | 503175 0905 | 503175 0904 | 503175 0903 | 503175 0902 | 503175 0901 | 503175 0900                   | 9                |
| 503175 0809        | 503175 0808 | 503175 0807 | 503175 0806 | 503175 0805 | 503175 0804 | 503175 0803 | 503175 0802 | 503175 0801 | 503175 0800                   | 8                |
| 503175 0709        | 503175 0708 | 503175 0707 | 503175 0706 | 503175 0705 | 503175 0704 | 503175 0703 | 503175 0702 | 503175 0701 | 503175 0700                   | 7                |
| 503175 0609        | 503175 0608 | 503175 0607 | 503175 0606 | 503175 0605 | 503175 0604 | 503175 0603 | 503175 0602 | 503175 0601 | 503175 0600                   | 6                |
| 503175 0509        | 503175 0508 | 503175 0507 | 503175 0506 | 503175 0505 | 503175 0504 | 503175 0503 | 503175 0502 | 503175 0501 | 503175 0500                   | 5                |
| 503175 0409        | 503175 0408 | 503175 0407 | 503175 0406 | 503175 0405 | 503175 0404 | 503175 0403 | 503175 0402 | 503175 0401 | 503175 0400                   | 4                |
| 503175 0309        | 503175 0308 | 503175 0307 | 503175 0306 | 503175 0305 | 503175 0304 | 503175 0303 | 503175 0302 | 503175 0301 | 503175 0300                   | 3                |
| 503175 0209        | 503175 0208 | 503175 0207 | 503175 0206 | 503175 0205 | 503175 0204 | 503175 0203 | 503175 0202 | 503175 0201 | 503175 0200                   | 2                |
| オーダー番号<br>ORDER NO |             |             |             |             |             |             |             |             |                               | 極数<br>CIRCUIT NO |

| ボス無 WITHOUT BOSS   |             |             |             |             |             |             |             |             |                               | BOSS             |
|--------------------|-------------|-------------|-------------|-------------|-------------|-------------|-------------|-------------|-------------------------------|------------------|
| 紫<br>VIOLET        | 橙<br>ORANGE | 茶<br>BROWN  | 緑<br>GREEN  | 桃<br>PINK   | 青<br>BLUE   | 黄<br>YELLOW | 赤<br>RED    | 黒<br>BLACK  | ナチュラル(ベージュ)<br>NATURAL(BEIGE) | HOUSING<br>COLOR |
| 503175 1519        | 503175 1518 | 503175 1517 | 503175 1516 | 503175 1515 | 503175 1514 | 503175 1513 | 503175 1512 | 503175 1511 | 503175 1510                   | 15               |
| 503175 1419        | 503175 1418 | 503175 1417 | 503175 1416 | 503175 1415 | 503175 1414 | 503175 1413 | 503175 1412 | 503175 1411 | 503175 1410                   | 14               |
| 503175 1319        | 503175 1318 | 503175 1317 | 503175 1316 | 503175 1315 | 503175 1314 | 503175 1313 | 503175 1312 | 503175 1311 | 503175 1310                   | 13               |
| 503175 1219        | 503175 1218 | 503175 1217 | 503175 1216 | 503175 1215 | 503175 1214 | 503175 1213 | 503175 1212 | 503175 1211 | 503175 1210                   | 12               |
| 503175 1119        | 503175 1118 | 503175 1117 | 503175 1116 | 503175 1115 | 503175 1114 | 503175 1113 | 503175 1112 | 503175 1111 | 503175 1110                   | 11               |
| 503175 1019        | 503175 1018 | 503175 1017 | 503175 1016 | 503175 1015 | 503175 1014 | 503175 1013 | 503175 1012 | 503175 1011 | 503175 1100                   | 10               |
| 503175 1919        | 503175 0918 | 503175 0917 | 503175 0916 | 503175 0915 | 503175 0914 | 503175 0913 | 503175 0912 | 503175 0911 | 503175 0910                   | 9                |
| 503175 0819        | 503175 1818 | 503175 0817 | 503175 0816 | 503175 0815 | 503175 0814 | 503175 0813 | 503175 0812 | 503175 0811 | 503175 0810                   | 8                |
| 503175 0719        | 503175 0718 | 503175 1717 | 503175 0716 | 503175 0715 | 503175 0714 | 503175 0713 | 503175 0712 | 503175 0711 | 503175 0710                   | 7                |
| 503175 0619        | 503175 0618 | 503175 0617 | 503175 1616 | 503175 0615 | 503175 0614 | 503175 0613 | 503175 0612 | 503175 0611 | 503175 0610                   | 6                |
| 503175 0519        | 503175 0518 | 503175 0517 | 503175 0516 | 503175 1515 | 503175 0514 | 503175 0513 | 503175 0512 | 503175 0511 | 503175 0510                   | 5                |
| 503175 0419        | 503175 0418 | 503175 0417 | 503175 0416 | 503175 0415 | 503175 1414 | 503175 0413 | 503175 0412 | 503175 0411 | 503175 0410                   | 4                |
| 503175 0319        | 503175 0318 | 503175 0317 | 503175 0316 | 503175 0315 | 503175 0314 | 503175 1313 | 503175 0312 | 503175 0311 | 503175 0310                   | 3                |
| 503175 0219        | 503175 0218 | 503175 0217 | 503175 0216 | 503175 0215 | 503175 0214 | 503175 0213 | 503175 1212 | 503175 0211 | 503175 0210                   | 2                |
| オーダー番号<br>ORDER NO |             |             |             |             |             |             |             |             |                               | 極数<br>CIRCUIT NO |

THIS DRAWING CONTAINS INFORMATION THAT IS PROPRIETARY TO MOLEX ELECTRONIC TECHNOLOGIES, LLC AND SHOULD NOT BE USED WITHOUT WRITTEN PERMISSION

|  |              |                             |         |                          |                 |          |
|--|--------------|-----------------------------|---------|--------------------------|-----------------|----------|
| DIMENSION UNITS<br>mm                                      | SCALE<br>NTS | CURRENT REV DESC:           |         | <b>molex</b>             |                 |          |
| GENERAL TOLERANCES (UNLESS SPECIFIED)                      |              | EC NO: 632623               |         |                          |                 |          |
| ANGULAR TOL  | ± 3.0 °      | DRWN: MIKEDA01 2019/07/19   |         | PRODUCT CUSTOMER DRAWING |                 |          |
| 4 PLACES   | ± 0.2        | CHK'D: SAKIYAMA 2020/02/28  |         | DOCUMENT NUMBER          |                 |          |
| 3 PLACES   | ± 0.2        | APPR: KOMURAKAMI 2020/03/03 |         | 5031750000-SD            |                 |          |
| 2 PLACES   | ± 0.2        | INITIAL REVISION:           |         | DOC TYPE                 |                 |          |
| 1 PLACE  | ± 0.2        | DRWN: MIKEDA01 2019/07/19   |         | PSD                      |                 |          |
| 0 PLACES   | ± 0.2        | APPR: KOMURAKAMI 2020/03/03 |         | DOC PART                 |                 |          |
| DRAFT WHERE APPLICABLE<br>MUST REMAIN<br>WITHIN DIMENSIONS |              | THIRD ANGLE PROJECTION      | DRAWING | SERIES                   | MATERIAL NUMBER | CUSTOMER |
|  |              |                             | A3-SIZE | 503175                   | 503175****      | GENERAL  |
|  |              |                             |         | SHEET NUMBER             |                 | 4 OF 4   |