

NOTES:
ELECTRICAL

- 1. VOLTAGE RATING : 30 VDC RMS
- 2. CURRENT RATING : 0.5AMP MAX PER CONTACT
- 3. CONTACT RESISTANCE : 30 MILLIOHMS MAX.
- 4. INSULATION RESISTANCE : 1000 MEGOHMS MIN
- 5. WITHSTANDING VOLTAGE : 500 VAC RMS 60Hz , 1MIN
- 6. OPERATING LIFE : 10000 CYCLES MIN @ 500 VCD

MECHANICAL :

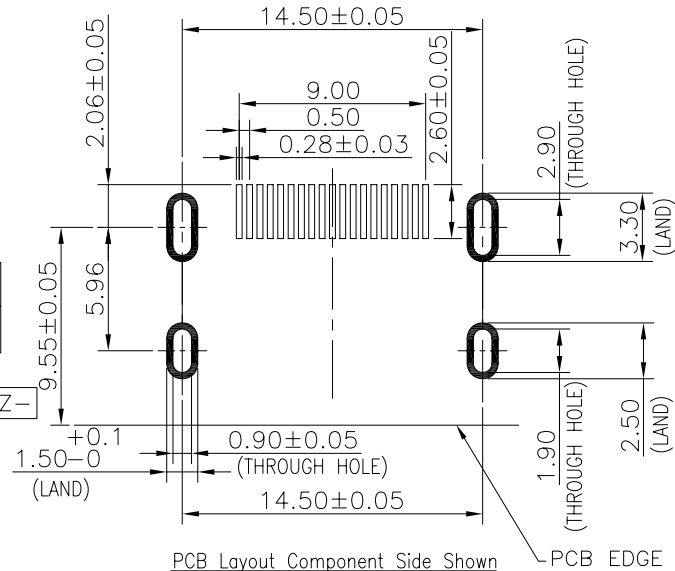
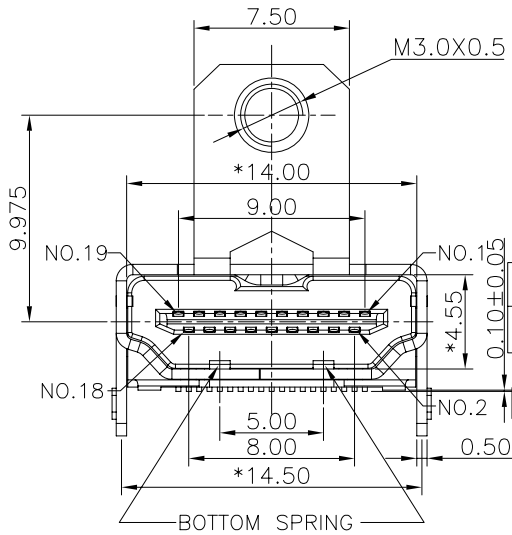
- 1. HOUSING MATERIAL : NYLON+30%G.F UL94V-0.COLOR:BLACK.
- 2. CONTACT MATERIAL : PHOSPHOR BRONZE 0.20mm THICKNESS
- 3. PLATING : 1: CONTACT AREA - SELECTIVE GOLD PLATING
2: TAILS- 120U" MIN OVER NICKEL.
- 4. SHIELD MATERIAL : PHOSPHOR BRONZE 0.50mm THICKNESS
- 5. PLATING : PLATED NICKEL.

ENVIRONMENTAL:

- 1. STORAGE : -40°C TO +85°C
- 2. OPERATION : -40°C TO +85°C
- 3. IR REFLOW PEAK SOLDERING TEMPERATURE:
255°C TO 265°C(5-10 SECONDS).
- 4. RoHS COMPLIANT.
- 5. FRE OLD DRAWING NUMBER:GE813027-LA.

TABLE

RoHS PART NUMBER	REV	HS'G MATERIAL	COLOR	UTP/STP TYPE	PIN NUMBER	PLATING Au
E810K-SAY203-L	A	NYLON+GF30%	BLACK	STP/DIP FEET TYPE	19 PINS	15U"
E810K-SAY204-L	A	NYLON+GF30%	BLACK	STP/DIP FEET TYPE	19 PINS	30U"



TABLE

RoHS PART NUMBER	REV	HS'G MATERIAL	COLOR	UTP/STP TYPE	PIN NUMBER	PLATING Au
E810K-SAY203-L	A	NYLON+GF30%	BLACK	STP/DIP FEET TYPE	19 PINS	15U"
E810K-SAY204-L	A	NYLON+GF30%	BLACK	STP/DIP FEET TYPE	19 PINS	30U"

The drawing Can Only Supply To Customer

DETACHED LISTS	MM (INCH)	RoHS Compliant		
	TOLERANCES EXCEPT AS NOTED		TITLE HDMI CONNECTOR WITH PANEL A TYPE	
	MM .0 ± 0.2 ± .00 ± 0.15 ± .000 ± 0.075 ± ANGLES ± 0.5			
THIRD ANGLE PROJECTION	DFTO Yumei DATE 02/14/2007	DRAWING NO. CE810K-SAY20X-L /PART NO. E810K-SAY20X-L	SIZE A3	REV 0
SCALE : 2.5:1		DO NOT SCALE DRAWING	SHEET 1	OF 1