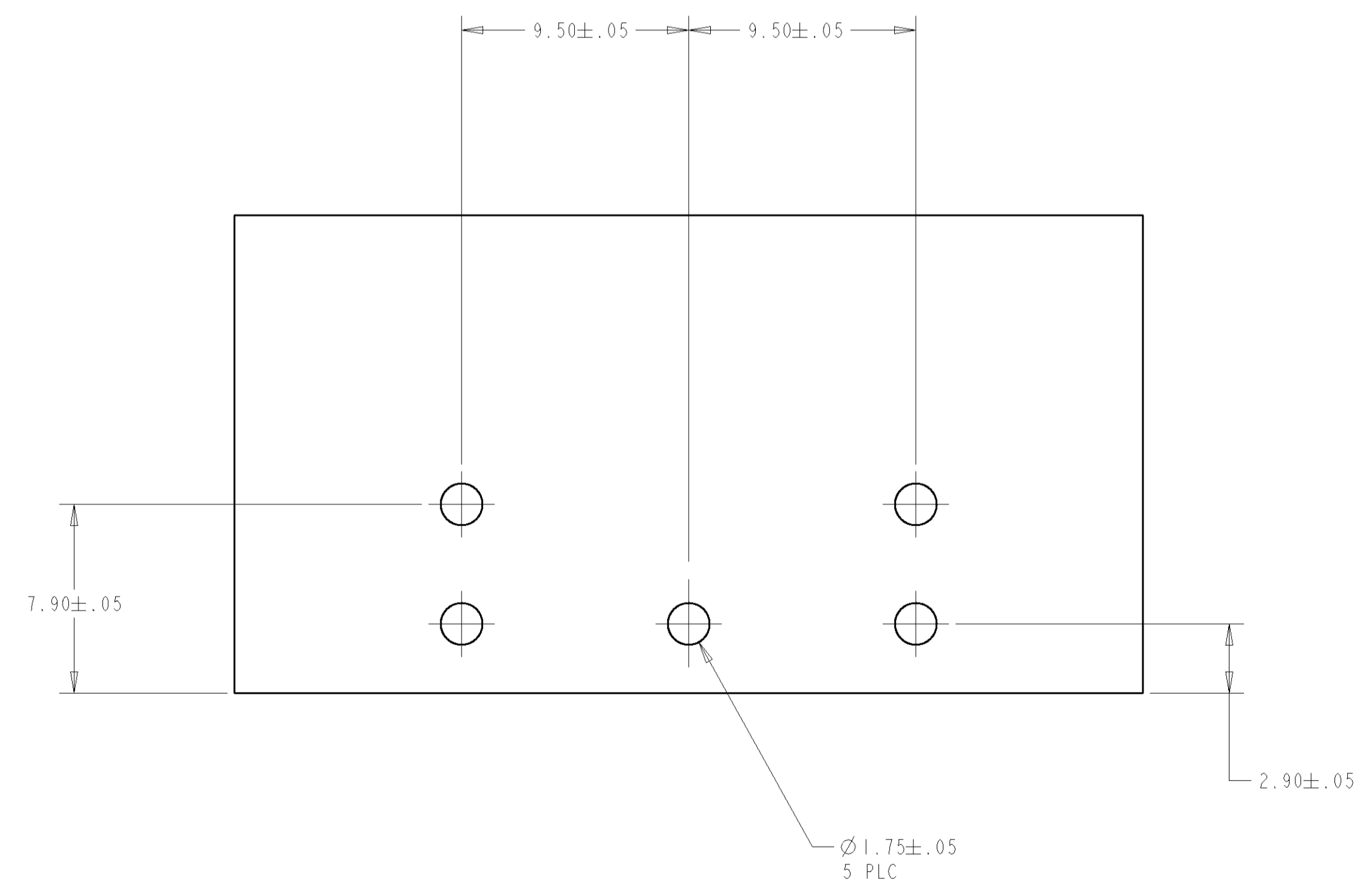
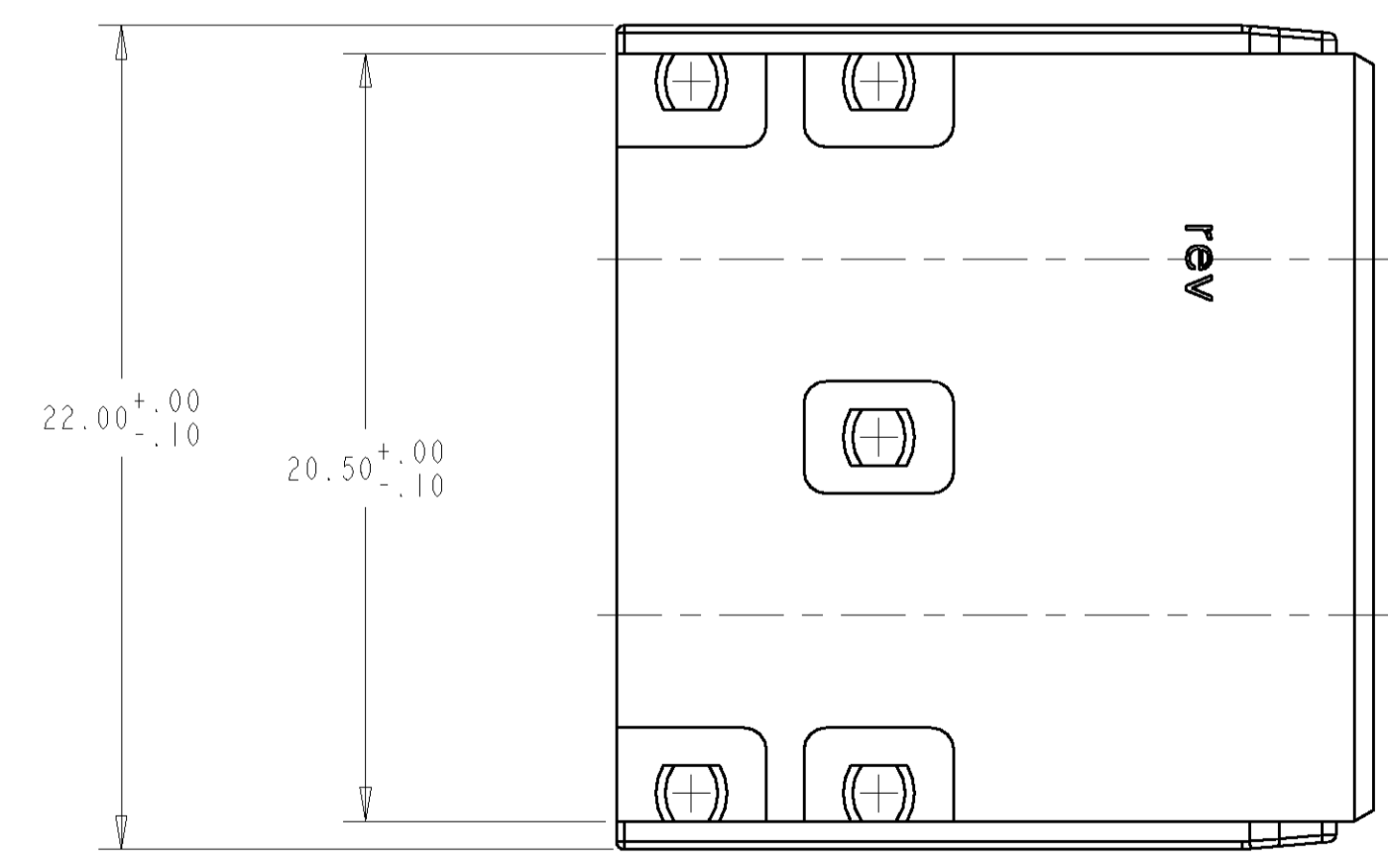
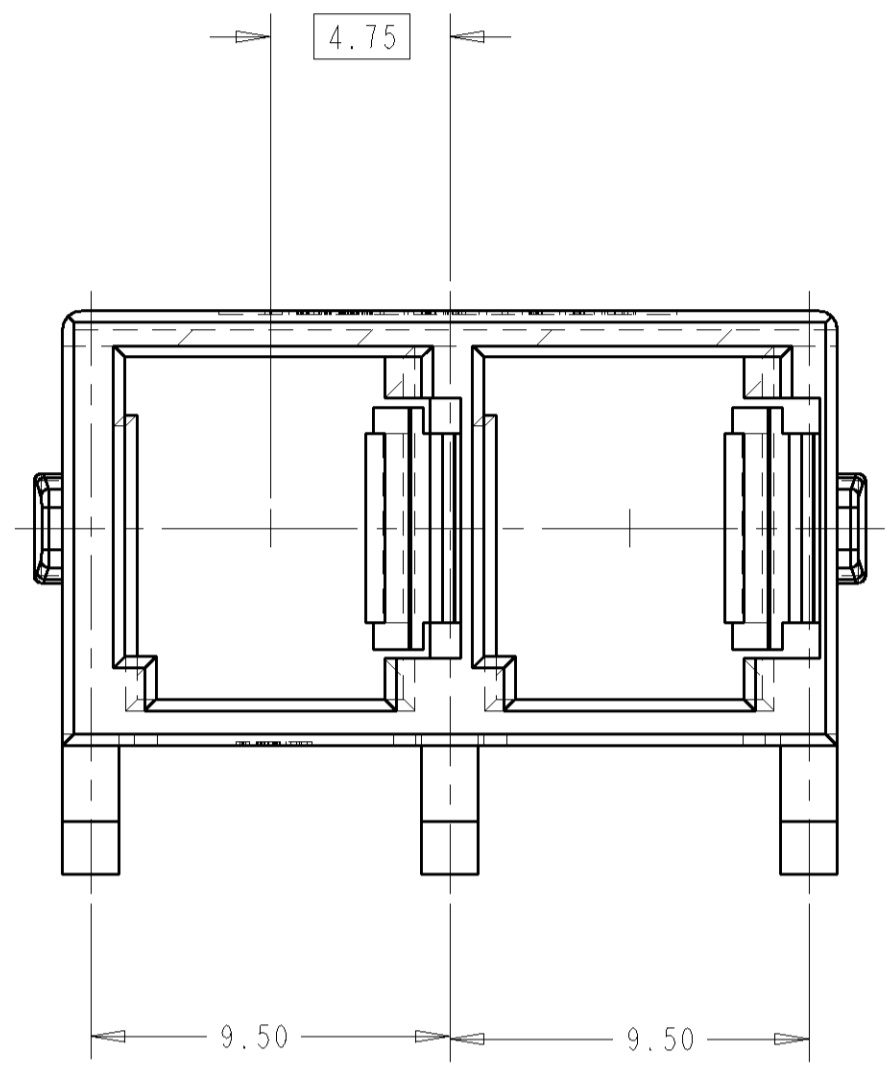
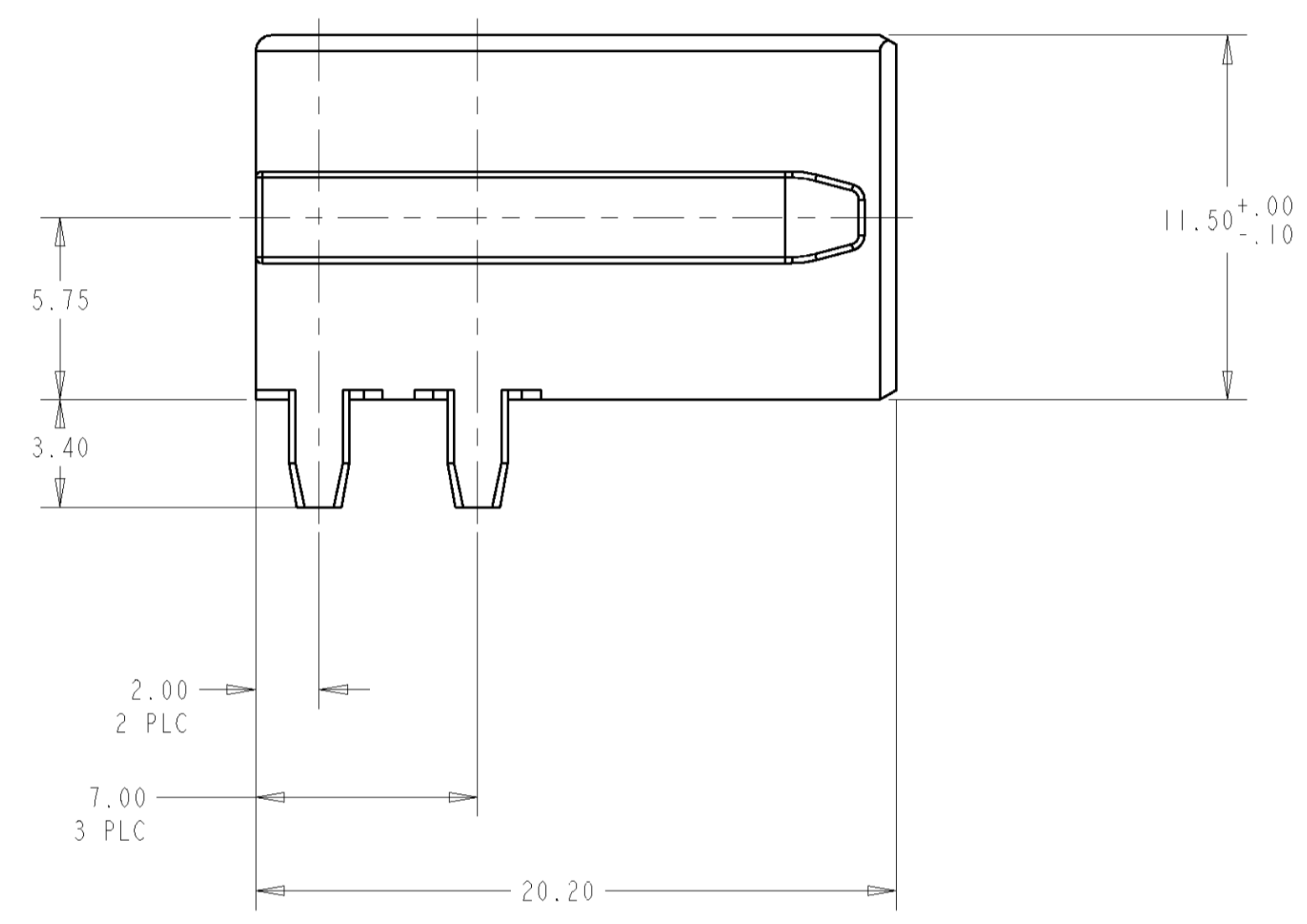
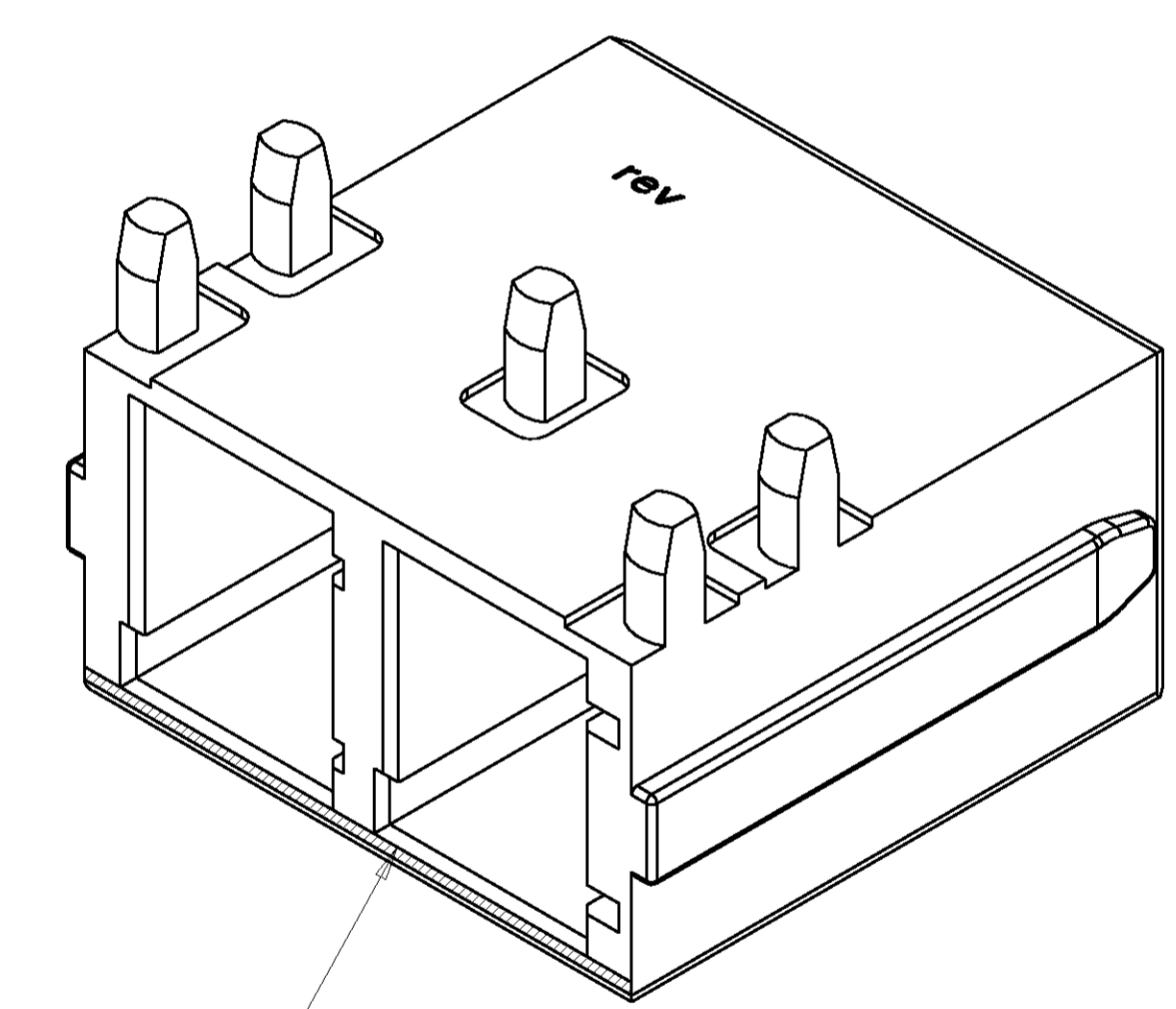
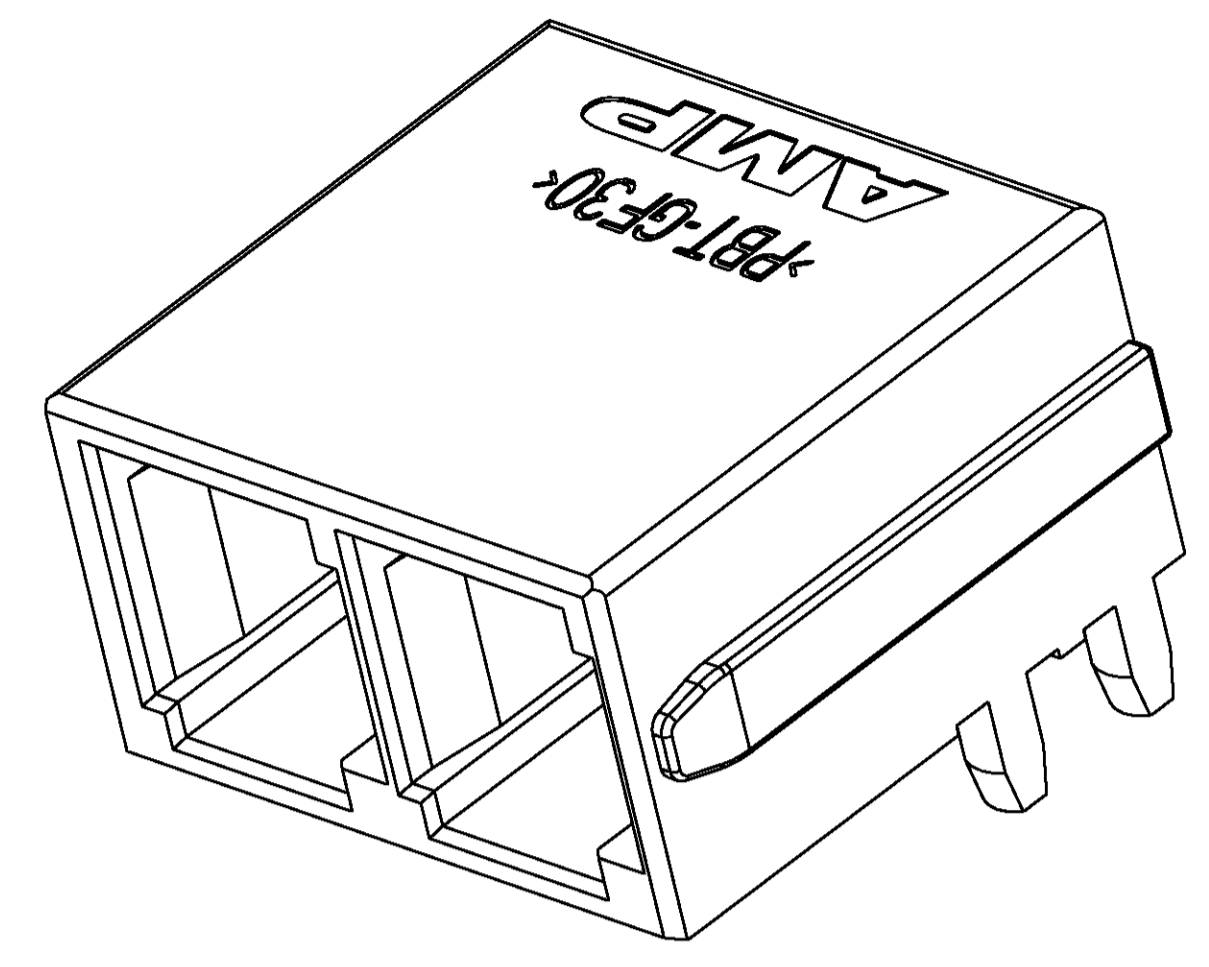


LOC	DIST	REVISIONS			
P	LTR	DESCRIPTION	DATE	DWN	APVD
A		EC OUB0-0070-01 / NPR 00-199	02FEB2001	EB	LB
B		REVISED PER EC 0A00-0439-01	11DEC01	EB	AP



RECOMMENDED HOLE PATTERN
 SCALE 5:1

WHITE STRIPE FOR
 CONNECTOR ORIENTATION

MATERIAL: GLASS FILLED PBT,
 COLOR: BLACK

DIMENSIONS: mm 		TOLERANCES UNLESS OTHERWISE SPECIFIED: 0 PLC ±.3 1 PLC ±0.10 2 PLC ±0.10 3 PLC ±0.001 4 PLC ±0.001 ANGLES ±.1 FINISH -		DWN LG EBY 3-30-00 CHK E. HALEY 3-30-00 APVD L. BARKUS 3-30-00 NAME PRODUCT SPEC APPLICATION SPEC WEIGHT CUSTOMER DRAWING		1374491-1 PART NO AMP Tyco Electronics Harrisburg, PA 17105-3608 SYSTEM BOARD HOUSING, 1 X 2 VERTICAL, LIGHTRAY MPX SIZE CAGE CODE DRAWING NO A 00779 C-1374491 SCALE 5/1 SHEET 1 OF 1 REV B	
-----------------------	--	---	--	--	--	--	--