

4

3

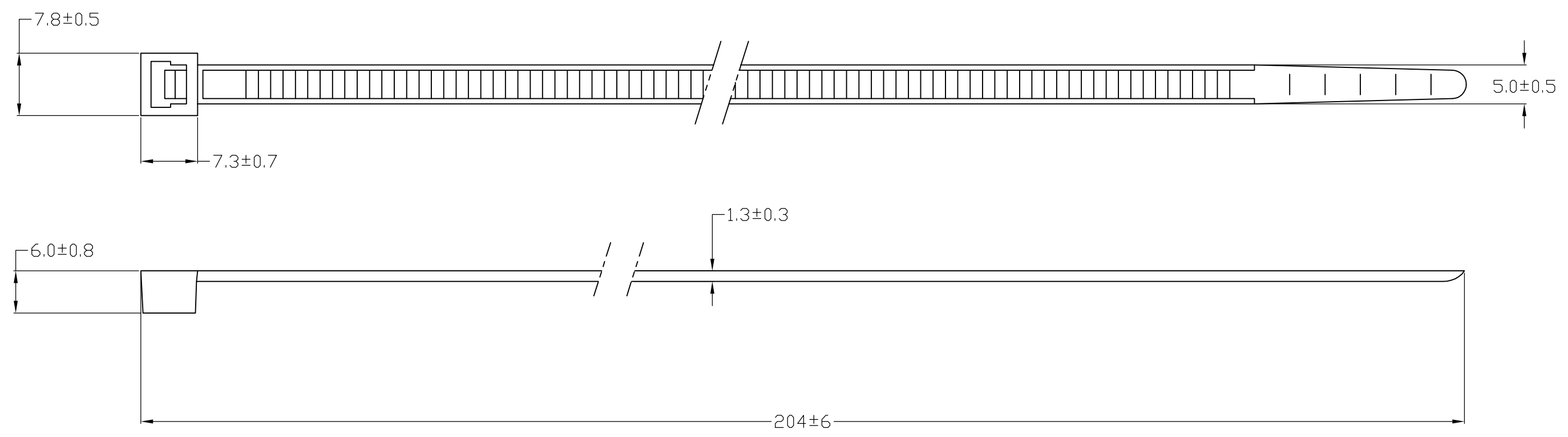
2

1

THIS DRAWING IS UNPUBLISHED. RELEASED FOR PUBLICATION --
© COPYRIGHT - By - ALL RIGHTS RESERVED.

LOC		DIST		REVISIONS			
P	LTR	DESCRIPTION		DATE	DWN	APVD	
	C	VENDOR CHANGE		20MAR2012	SP	RP	

NOTES:
 1. RANGE: ø50 MAX (BUNDLE SIZE)
 2. MIN. TENSILE STRENGTH: 220 N.



1000	BLACK	POLYAMIDE 6.6	4-160975-2
1000	NATURAL	POLYAMIDE 6.6	4-160975-1
100	BLACK	POLYAMIDE 6.6	2-160975-2
100	NATURAL	POLYAMIDE 6.6	2-160975-1
QTY	FINISH	MATERIAL	PART NUMBER

THIS DRAWING IS A CONTROLLED DOCUMENT.		DWN J.V.D.HEIJDEN 27FEB92	STE TE Connectivity	
DIMENSIONS: mm		CHK MvDRIEL 18FEB02		
TOLERANCES UNLESS OTHERWISE SPECIFIED:		APVD MvDRIEL 18FEB02	NAME CABLE TY	
0 PLC ± - 1 PLC ± - 2 PLC ± - 3 PLC ± - 4 PLC ± - ANGLES ± -		PRODUCT SPEC -	RESTRICTED TO -	
MATERIAL SEE TABLE		APPLICATION SPEC -	SIZE A3	CAGE CODE 00779
FINISH SEE TABLE		WEIGHT -	DRAWING NO C-160975	REV C
CUSTOMER DRAWING			SCALE NTS	SHEET 1 of 1