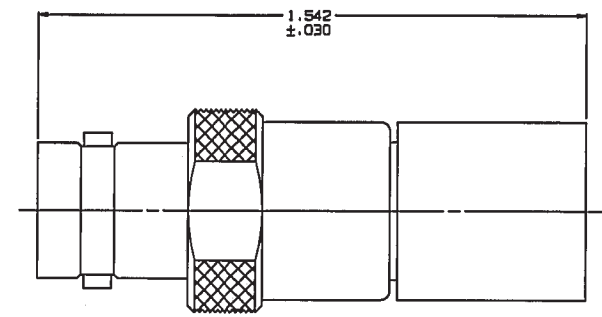


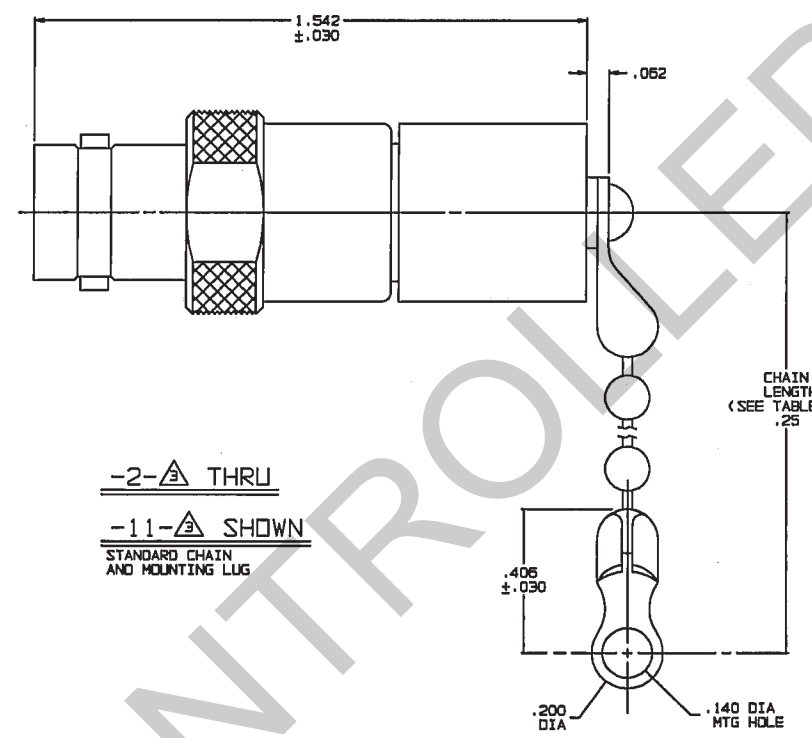
DASH NO	DESCRIPTION
-1	TERM (NO CHAIN)
-2	TERM WITH 2.50 BRASS CHAIN
-3	TERM WITH 2.50 NYLON CHAIN
-4	TERM WITH 3.00 BRASS CHAIN
-5	TERM WITH 3.00 NYLON CHAIN
-6	TERM WITH 6.00 BRASS CHAIN
-7	TERM WITH 6.00 NYLON CHAIN
-8	TERM WITH 4.00 BRASS CHAIN
-9	TERM WITH 4.00 NYLON CHAIN
-10	TERM WITH 10.00 BRASS CHAIN
-11	TERM WITH 10.00 NYLON CHAIN
-12	TERM WITH 2.50 JACKETED STAINLESS STEEL ROPE
-13	TERM WITH 3.00 JACKETED STAINLESS STEEL ROPE
-14	TERM WITH 6.00 JACKETED STAINLESS STEEL ROPE
-15	TERM WITH 4.00 JACKETED STAINLESS STEEL ROPE

TABLE 2			INCH	MM	INCH	MM	INCH	MM	INCH	MM
DASH NO	"A" DIA	"B" DIA	"C" DIM							
.005	0.13	.317	8.05	.570	14.48	.941	22.53			
.010	0.25	.380	9.65	.610	15.49	1.003	25.48			
.030	0.76	.406	10.31	.625	15.88	1.066	27.08			
.032	0.81	.437	11.10	.630	16.00	1.542	39.17			
.062	1.57	.439	11.15	.687	17.45	2.50	63.50			
.140	3.56	.500	12.70	.722	18.34	3.00	76.20			
.200	5.08	.505	12.83	.750	19.05	4.00	101.60			
.25	6.35	.56	14.22	.753	19.13	6.00	152.40			
.281	7.14	.562	14.27	.815	20.73	10.00	254.00			
.290	7.37	.567	14.40	.878	22.30					

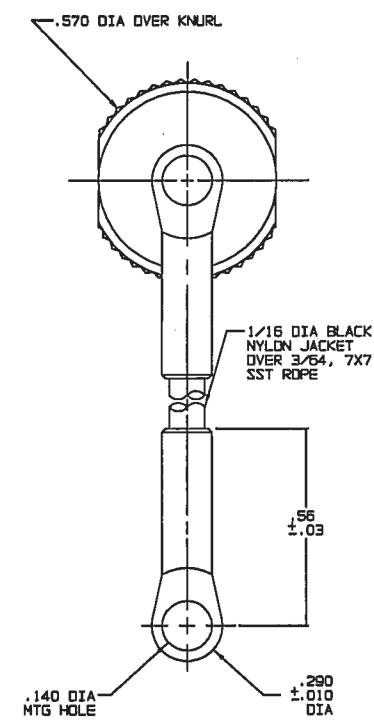
RED INDICATES ORIGINAL



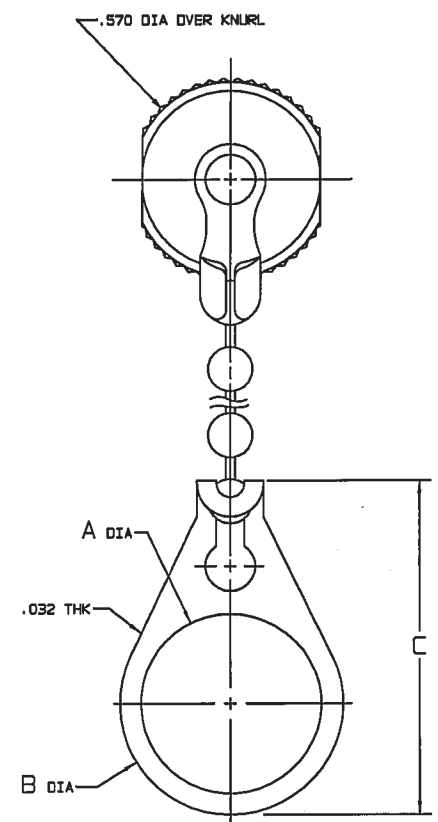
-1- Δ SHOWN
NO CHAIN/ROPE OR MOUNTING LUG



-2- Δ THRU
-11- Δ SHOWN
STANDARD CHAIN AND MOUNTING LUG

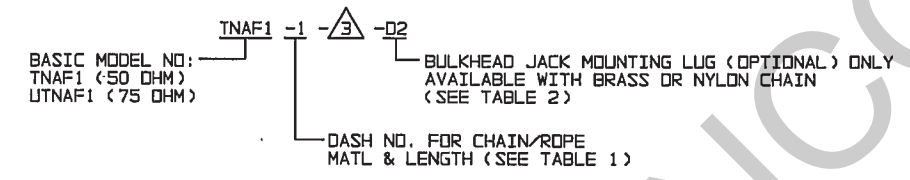


-12- Δ THRU
-15- Δ SHOWN
STAINLESS STEEL ROPE AND MOUNTING LUG



-2- Δ -02 THRU
-11- Δ -09 SHOWN
STANDARD CHAIN AND BULKHEAD RECEPTACLE MOUNTING LUG

5. EXAMPLE OF COMPLETE MODEL NO:

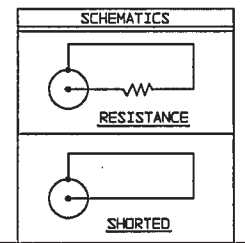


4. 50 & 75 OHM TERMINATED COAXIAL BNC RECEPTACLE

Δ RESISTANCE VALUE IN OHMS (1/2W, 1%)
S = CENTER CONTACT SHORTED TO CONNECTOR BODY (NO RESISTOR)
0 = NO RESISTOR, CONTACT NOT SHORTED, AND CONNECTOR IS SUPPLIED LOOSELY ASSEMBLED (CUSTOMER TO COMPLETE THE ASSEMBLY)

2. FINISH: TFS-1A (NICKEL)

1. ALL DIM ARE IN INCHES



QTY	DESCRIPTION	PART NUMBER	ITEM
TOL UNLESS SPECIFIED XXX ±.005 XXXX ±.0002 ANGLE	TROMPETER RF connectivity	U/TNAF1	
DWN R/L 12/16/99	MATERIAL CODE IDENT	DRAWING NO.	REV
CHK 12/17/99	14949	105-1040	C
ENGR	SCALE 4/1	DATE 12-3-90	SHEET 1C
APPR 12/22/99			