

MISSION-CRITICAL
INTERCONNECT
SOLUTIONS



**MIGHTY
MOUSE**



SERIES 80

Mighty Mouse

Micro Miniature Cylindrical Connectors and Cables
for Harsh Sea, Air, Land, and Space Applications

APRIL 2022



Mighty Mouse vs. 38999: less than half the size and weight.

- 6 coupling styles and 67 contact arrangements from 1 – 130 contacts
- MIL-DTL-38999 caliber performance
- Size #23, #22, #20, #20HD, #16, #12, #8 signal, power, fiber optic and shielded contacts
- Discrete connectors and turnkey cable assemblies

SERIES 80 MIGHTY MOUSE

Reducing the Size and Weight of Electrical Wire Interconnect Systems

The industry standard micro miniature for ground, sea, air, and space

FULL RANGE OF SUPPORTED CONTACTS, 67 CONTACT ARRANGEMENTS



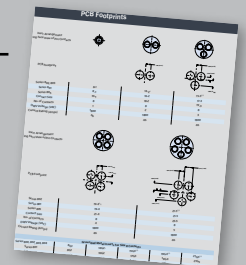
Signal

Power

Shielded

Fiber Optic

Pneumatic



67 arrangements, from 1 – 130 contacts



SERIES 80
MIGHTY MOUSE

THE WORLD'S MOST ADVANCED AND MATURE HIGH-PERFORMANCE ULTRAMINIATURE CONNECTOR

Constant, relentless innovation





MISSION-CRITICAL INTERCONNECT SOLUTIONS

Glenair, Inc.

1211 Air Way • Glendale, California • 91201-2497

Telephone: 818-247-6000 • Fax: 818-500-9912 • sales@glenair.com

www.glenair.com

Glenair East

20 Sterling Drive
Wallingford, CT
06492

Telephone:
203-741-1115
Facsimile:
203-741-0053
sales@glenair.com

Glenair UK Ltd

40 Lower Oakham Way
Oakham Business Park
Mansfield, Notts
NG18 5BY England

Telephone:
+44-1623-638100
Facsimile:
+44-1623-638111
sales@glenair.co.uk

Glenair Microway Systems

7000 North Lawndale Avenue
Lincolnwood, IL
60712

Telephone:
847-679-8833
Facsimile:
847-679-8849

Glenair Nordic AB

Gustav III : S Boulevard 42
SE-169 27 Solna
Sweden

Telephone:
+46-8-50550000
sales@glenair.se

Glenair GmbH

Schaberweg 28
61348 Bad Homburg
Germany

Telephone:
06172 / 68 16 0
Facsimile:
06172 / 68 16 90
info@glenair.de

Glenair Iberica

C/ La Vega, 16
45612 Velada
Spain

Telephone:
+34-925-89-29-88
Facsimile:
+34-925-89-29-87
sales@glenair.es

Glenair Italia S.p.A.

Via Del Lavoro, 7
40057 Quarto Inferiore –
Granarolo dell'Emilia
Bologna, Italy

Telephone:
+39-051-782811
Facsimile:
+39-051-782259
info@glenair.it

Glenair France SARL

7, Avenue Parmentier
Immeuble Central Parc #2
31200 Toulouse
France

Telephone:
+33-5-34-40-97-40
Facsimile:
+33-5-61-47-86-10
sales@glenair.fr

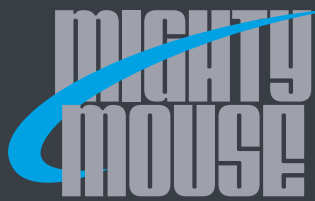
Glenair Korea

6-21 Tapsil-ro 58beon-gil
Giheung-gu, Yongin-si
Gyeonggi-do
Republic of Korea

Telephone:
+82-07-5067-2437
Facsimile:
+82-504-375-4549
sales@glenair.kr

© 2022 Glenair, Inc.

Printed in U.S.A.



SERIES 80

Mighty Mouse Connectors and Cables



Table of Contents

Series 80 Mighty Mouse Overview



Table of Contents	A-1
Connector Series Overview	A-3
Performance Features	A-4
Standard Connector Offerings	A-8
Special Application Offerings	A-10

Cordsets and Jumper Cables	A-12
Complex Cable Assemblies	A-13

General Information and Reference



Options and Specifications Guide	B-1
Standard Contact Arrangements and PCB Footprints	B-2
Combo Contact Arrangements and PCB Footprints	B-13
Alternate Key and Keyway Positions	B-19

Panel Cutout Dimensions	B-20
Recommended Torque Values	B-25
Space Grade Application Guidelines	B-26
Modification Codes and Material/Finish Codes	B-31
Series 80 Performance Test Report IAW MIL-DTL-810	B-32

Contacts, Crimp Tools and Assembly Tools



Product Selection Guide	C-1
About Series 80 Mighty Mouse Contacts	C-2
Size #23 Contacts	C-4
Size #23 Termination and Installation Instructions	C-9
Size #20 AWG Wire Adapter for #23 Contact	C-10
Size #20HD Crimp Contacts	C-10
Size #20 and #16 Crimp Contacts	C-11
Size #12 Crimp and Pneumatic Contacts	C-12
Size #8 Power Contacts	C-13

Size #16 and #12 Coaxial Contacts	C-14
Size #16 and #12 Coaxial Contacts	C-17
Size #8 Coax, Twinax (Concentric and Differential), and Quadrx Contacts	C-21
Hand and Pneumatic Crimp Tools	C-41
Insertion/Removal Tools	C-44
Contact Retention Tester & Sealing Boot	C-45
Dummy Contact Sealing Plugs	C-46
Grommet Sealing Plugs	C-47

Series 800 Connectors *UNF Threads*



Product Selection Guide	D-1
Features and Benefits	D-2
Reference Material	D-4
Hex or Knurl Plug with Crimp Contacts	D-8
Receptacle with Crimp Contacts	D-10

Solder Cup or PCB Receptacle	D-14
Right Angle PCB Receptacle	D-17
Hermetic PC Tail or Solder Cup Receptacle	D-22
Jam-Nut, Bulkhead Feedthrough	D-26
Cordsets	D-28

Series 801 Connectors *Rugged Double-Start ACME Threads*



Product Selection Guide	E-1
Features and Benefits	E-3
Reference Material	E-5
Plug with Crimp Contacts	E-12
Panel Mount Plug	E-14
"Cobra" Low Profile Right Angle Plug	E-16
Receptacle with Crimp Contacts	E-18
PC Tail or Solder Cup Receptacle	E-23
PCB Rcpt. with PC Tails and Ground Pins	E-26
PCB Rcpt. with PC tails and Thrd Standoffs	E-29
Size 12 Twinax PC Tail Receptacle	E-31
Board Mount Jam-Nut Receptacle	E-33

Right Angle PC Tail Receptacle	E-34
Code Red Light Weight Hermetic Receptacle	E-38
PC Tail or Solder Cup Hermetic Receptacle	E-41
PC Tail Hermetic Pin Contact Coax Rcpt.	E-45
PCB Hermetic Rcpt. with Crimp Coax Cntcts	E-48
PCB Hermetic Receptacle; Thrd Standoffs	E-52
PCB Hermetic Rcpt.; #12 & #16 PC Tail Coax	E-55
Jam-Nut Bulk Head Feedthrough	E-59
Hermetic Bulkhead Feedthrough	E-61
Sav-Con Connector Saver	E-63
Cordsets	E-65

Series 802 Connectors *"AquaMouse" 3500 PSI Mated*



Product Selection Guide	F-1
Features and Benefits	F-2
Reference Material	F-3
Plug with Crimp Contacts	F-10
Receptacle with Crimp Contacts	F-12
Receptacle with PC Tails or Solder Cups	F-16
Hermetic Rcpt. with Rear Accessory Thd	F-20

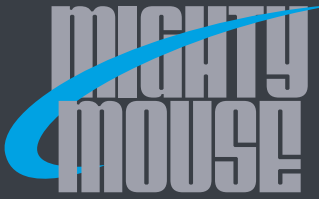
Hermetic Receptacle with Crimp Removable Termination	F-24
Hermetic PC Tail/Solder Cup Receptacle	F-27
Hermetic Receptacle with Size 12 or 16 Coax Contacts	F-32
Hermetic Bulkhead Feedthrough; Jam-Nut	F-37
Cordsets	F-39

Series 803 Connectors *Bayonet*



Product Selection Guide	G-1
Features and Benefits	G-3
Reference Material	G-5
Plug with Crimp Contacts	G-8
Receptacle with Crimp Contacts	G-10

Receptacle with PC Tails or Solder Cups	G-14
Hermetic PC Tails / Solder Cup Receptacle	G-16
Bulkhead Feedthrough	G-18
Cordsets	G-20



SERIES 80

Mighty Mouse Connectors and Cables



Table of Contents

Series 804 Connectors *Push-Pull*



Product Selection Guide	H-1	Quick Release Receptacle with	
Features and Benefits	H-3	Accessory Threads	H-29
Reference Information	H-4	Jam-Nut Mount PC Tail / Solder Cup Rcpt.	H-31
Cable Plug with Crimp Contacts	H-10	PC Tail or Soldercup Rcpt. with Ground Pins	H-34
“Cobra” Low Profile, Right Angle Plug	H-12	CODE RED Lightweight Hermetic	
Quick Release Plug with Accessory Thrds	H-15	PC Tail / Solder Cup Receptacle	H-37
Panel Mount Plug with Banding Platform	H-17	PC Tail / Solder Cup Hermetic Rcpt.	H-40
Panel Mount Plug with PC Tail or Solder Cup	H-21	Jam-Nut Mount Bulkhead Feedthru	H-43
Receptacle with Crimp Removable Contacts	H-25	Cordsets	H-45

Series 805 Connectors *Triple-Start ACME Threads*



Product Selection Guide	J-1	CODE RED Hermetic Sldr Cup/PC Tail Rcpt.	J-36
Features and Benefits	J-3	Hermetic Solder Cup or PC Tail Receptacle	J-38
Reference Information	J-4	Hermetic Sldr Cup Rcpt. w/ Banding Porch	J-41
Plug with Crimp Contacts	J-12	Hermetic Rcpt. w/ PC Tail Coax Contacts	J-44
“Cobra” Right Angle Low Profile Plug	J-14	Hermetic Rcpt., #12 & #16 PC Tail Coax	J-47
Environmental Crimp Contact Receptacle	J-17	Jam-Nut Bulkhead Feedthru; Environmental	J-49
Enviro. or Watertight Recept, PC Tail/Solder Cup	J-22	CODE RED Hermetic Bulkhead Feedthru	J-51
PC Tail/Solder Cup Rcpt; Threaded Standoffs	J-26	Hermetic Bulkhead Feedthrough	J-53
PC Tail/Solder Cup Rcpt. with Ground Pins	J-28	Sav-Con® Connector Savers	J-55
Right Angle PC Tail, Jam-Nut Mnt Receptacle	J-31	Cordsets	J-57

Series 811 Connectors *High Density*



Product Selection Guide	K-1	Jam Nut PC Tail Receptacles;	
Features, Benefits and Specifications	K-2	Standard or Watertight Sealing	K-13
Prewired In-Line Plug	K-7	Box Mount PC Tail Receptacles	
Prewired In-Line Receptacle	K-8	Standard or Watertight Sealing	K-14
Prewired Wall Mount Receptacles	K-9	Harsh Environment Cordsets	K-16
Prewired Jam Nut Receptacles	K-11		

Cordsets *Optimized for High-Speed Differential Impedance*



Product Selection Guide	L-1	Mighty Mouse to	
Features, Benefits, and Selection Guide	L-2	USB 2.0 Type A Cordsets	L-11
Mighty Mouse-to-Mighty Mouse Connector Cordsets;		Mighty Mouse to	
Ethernet, IEEE 1394, USB 2.0, and STP	L-4	RJ-45 Ethernet Cordsets	L-13

High-Speed Cable *Optimized for High-Speed Protocols*



Product Selection Guide	M-1	Avionic Cat 6a Ethernet Cable	M-5
General Information	M-2	USB 2.0 Cable	M-6
100 ohm Differential Parallel Pair Data Cable	M-3	IEEE 13394 Cable	M-7
Tactical Cat 5e Ethernet Cable	M-4		

Series 80 Accessories and Backshells

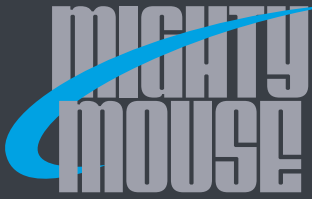


Product Selection Guide	N-1	Heat-Shrink Boots	N-39
Flange Gaskets	N-2	Holding Tools and Banding Tools	N-46
O-Rings	N-5	Protective Covers	N-48
Mounting Flange	N-10	Pro-Seal Protective Covers	N-79
Jam-Nuts and Hex Nuts and Spanner Wrench Sockets	N-11	Dummy Receptacles	N-88
Shorting Caps and Backshells	N-17		

Part Number Index



Index of part numbers



SERIES 80
Mighty Mouse Connectors and Cables
Connector Series Overview



CHOOSE FROM 6 DIFFERENT COUPLING DESIGNS



Series 800
UN thread



Series 801
Double-start stub ACME thread



Series 802
AquaMouse UNEF thread



Series 803
Bayonet coupling



Series 804
Quick-disconnect push-pull



Series 805
Triple-start stub ACME thread

AVAILABLE MIGHTY MOUSE CONNECTOR CLASSES



IP67
environmental



Glass-to-metal seal
hermetic



CODE RED
encapsulant-seal
hermetic



Bulkhead feedthrough
and penetrators



Sav-Con®
connector savers



High-pressure subsea /
submersible



EMI/RFI
Filter



EMP Transient Voltage
Suppression



Single- and multimode
fiber optic

AVAILABLE SPECIAL-PURPOSE DESIGNS AND PACKAGING



Low-profile COBRA



Mouse Bud



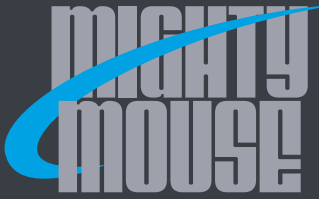
Double-standoff PC tail



PCB flex circuit jumpers



Special feedthrough



SERIES 80

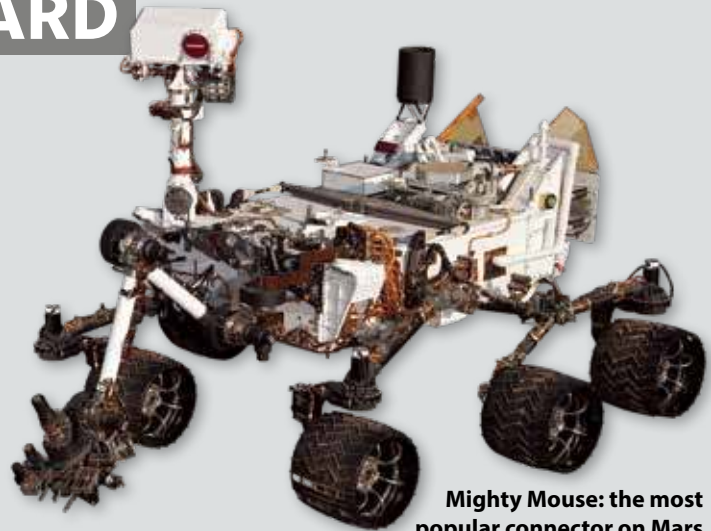
Mighty Mouse Connectors and Cables

Performance Features



MIGHTY MOUSE THE HIGH-PERFORMANCE MICRO MINIATURE STANDARD

Glenair has recognized a growing need in tactical military, aerospace, and specialty industrial markets for a connector series that mimics the electrical and mechanical performance of popular mil-standard connectors, such as MIL-DTL-38999, but in a smaller and lighter package. The Series 80 Mighty Mouse Connector is perfectly suited for the wide range of power and signal applications that depend on reliable environmental and mechanical performance, as well as electromagnetic compatibility. Six different coupling styles are offered. Size #23 crimp contacts are standard, set on .076" centers. At just half the size and weight of D38999, the high-performance Mighty Mouse is now specified on hundreds of mission-critical interconnect applications worldwide and has become the de facto high-performance connector solution for many former users of D38999.



Mighty Mouse: the most popular connector on Mars

Glenair developed the Series 80 Mighty Mouse over twenty-five years ago as a smaller and lighter version of D38999. Our goal was to radically reduce the size and weight of this flight-critical connector while maintaining its core performance features. Our miniaturization work took place in three key areas beginning with reduction of the shell package size and the integration of banding and shrink boot accessory functions. The integration of the backshell not only saves size and weight, it reduces cost and complexity.

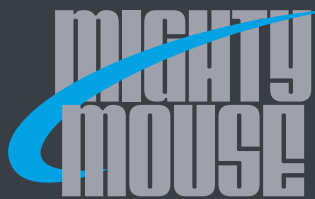


**Mighty Mouse vs. 38999:
Half the Size and Weight**

Next, we designed and qualified our own SAE-AS39029 contacts based on the shorter "Series II" family of signal, data, and specialty contacts. We also developed an extensive range of innovative short contacts including fiber optic and high-speed applications. The development of our own

range of shorter, Series II type contacts was a key step in gearing Mighty Mouse to meet any and all interconnection challenges. The graphic on the next page shows just some of these high-performance contacts—from standard 39029 crimp signal and power contacts to our own unique shielded differential Twinax contact, miniaturized fiber optic termini and highly specialized gas and pneumatic solutions.

Finally, we re-designed the sub-miniature D38999 insert arrangements to a higher density, micro-miniature standard. Legacy circular connectors can be grouped into standard, miniature and subminiature families. These groupings reflect the packaging density and the contact size, and also represent the evolution of the connectors over the past 70 years. The standard group includes the venerable 5015's (including Glenair ITS and Super ITS connectors) as well as the 28840 shipboard connector (which we also supply). Miniature circulars include the 26482 (Glenair IPT series), and the 26500 and 83723 which are still occasionally specified in both military and commercial aerospace applications. The D38999 series, the only significant subminiature circular, has been a standard choice for high-performance systems for decades and Glenair supplies these connectors in every class including QPL hermetic versions, as well as environmentals, filters, fiber optics, and more.



SERIES 80

Mighty Mouse Connectors and Cables



Performance Features

Mighty Mouse contact sampler



The Series 80 Mighty Mouse represents the evolution of circular technology beyond the 38999 sub-miniature format—a technology which is absolutely unmatched in today’s interconnect industry. Glenair is the unchallenged design and market leader for reduced package size and weight connectors of this type and style. All Series 80 Mighty Mouse versions use #23 contacts on .076 inch (1.9 mm) spacing as core contact technology, and we have extended this model with special-purpose rectangular, modular and (even) higher-density connectors.

This then is the benchmark we have established with Mighty Mouse: Interconnect systems that are so small and light that they are weighed in tenths of grams while still meeting the performance specifications of even the most mission-critical of applications. But the benefits of connector package size reduction are not limited to the connector itself, as we will discuss in the following paragraphs.

Large format connectors: The hidden costs

Let’s look at some of the hidden costs of large format/weight connectors, starting at the board. Obviously, large form-factor I/O-to-board connectors, such as the D38999 Series III, force an expansion of board real estate. Larger boards in turn lead to larger form-factor boxes, panels and enclosures. And of course larger gage wires and lower density contact arrangements lead to fatter and heavier interconnecting cables, including increases in accessory hardware size, and the weight of shielding and jacketing material required.

The final result is that electronic systems pay a huge penalty in size and weight. Obviously this is not a problem in every application. But with the lower power and signal voltage requirements of today’s electronic systems, the opportunity is ripe to design platforms with reduced-size circuits and connectors.



Mighty Mouse means smaller and lighter boxes, boards, and cables compared to MIL-DTL-38999

The graphic says it all. Small connectors, small wires and contacts, higher-density contact arrangements, integrated accessory functions and the many other design advancements of the Series 80 Mighty Mouse translate to smaller and lighter boards, boxes, cables and systems.

Mighty Mouse Mechanical Performance: Equal to D38999

Mechanical

Nothing illustrates the performance potential of the Series 80 Mighty Mouse better than a cross-sectional view of the micro miniature connector’s architecture. Note that the plug and receptacle pair on page A-7 share many of the same design features as D38999. Shells are precision machined and are designed for keyed mating and shell-to-shell bottoming. Sealing features include cork-and-bottle interfacial seals, O-ring seals and robust grommet wire seals. In the mated condition, the connectors are sealed IAW MIL-STD-810, method 512, 1 meter for 1 hour, and pass rigorous altitude immersion requirements up to 40,000 feet. Two-piece dielectrics and copper contact retention clips are modeled after D38999 and, together with the shell-to-shell bottoming, provide for equal levels of grounding and shell-

Connector Series Overview



SERIES 80

Mighty Mouse Connectors and Cables



Performance Features

Mechanical Perf. Feature/Connector Class	MIL-DTL-38999	Mighty Mouse
Full Mate Visual Indicator	Yes	Yes
Integrated Contact Retention System	Yes	Yes
Interfacial and Grommet Seals	Yes	Yes
Fully Shielded	Yes	Yes
Lightning Strike	Yes	Yes
Shell-to-Shell Bottoming	Yes	Yes
Threaded/Toothed Accessory Interface	Yes	Yes
Full Range of Assembly Tools	Yes	Yes
Environmental	Yes	Yes
Space-Grade	Yes	Yes
Hermetic	Yes	Yes
EMI Filter	Yes	Yes
3500 PSI Submersible	No	Yes
Ground Plane	Yes	Yes
ESD	Yes	Yes
Lanyard Release	Yes	Yes
Bulkhead Feed-Thru	Yes	Yes
Sav-Con® Connector Saver	Yes	Yes

*(Standard and Specials)

to-shell resistance as D38999. Contacts, as we mentioned before, are either QPL AS39029 signal contacts, such as the size 23 pin and socket contacts shown in the diagram, or enhanced-durability contacts designed IAW AS39029 requirements (in the case of our fiber optic solutions and signature shielded contacts). Note that Mighty Mouse offers either an integrated shield termination band platform or accessory threads as a standard feature of the design.

The table shown above lists some of the core mechanical features of the Mighty Mouse, again in lock-step with D38999. Note that all the desirable features of the 38999 are duplicated in the Mighty Mouse: from a full-mate visual indicator, to its adequate mass in resistance to lightning strike.

Service Class

You will see the term Service Class still used in many connector catalogs. This pertains to the environmental parameters in which the connector will operate successfully. For example, service class defines the level of environmental sealing, or chemical resistance, or the ability to withstand vibration, or corrosion resistance, or operating temperature. Some examples from 38999 Series III: class G for space grade, class H for hermetic, class K for firewall. These class grades are all fully supported and qualified in the Series 80 Mighty Mouse. For a detailed report on all these benchmarks, please see Section B of this catalog, where a complete performance specification is supplied. In addition, we are pleased to offer our Mighty Mouse customers detailed test reports on any

aspect of the connector’s performance. As we like to point out, Mighty Mouse is a mature connector series with over twenty-five years of successful deployment in high-reliability applications, and we have the testing to prove it.

See the table (on left) for a little more detail on connector classes. Note that Mighty Mouse again stacks up well against D38999 and even surpasses thirty-eight-nine in the category of high-pressure submersible interconnects. From standard environmentals to space-grade versions, hermetics, EMI filters, ground plane designs, and more, Mighty Mouse delivers every class of connector available in D38999. And these are not just special capabilities available with long-lead times. These interconnect solutions are all available as standard catalog offerings, with thousands of popular part numbers available for immediate same-day shipment including turnkey cable assemblies.

Wire Termination

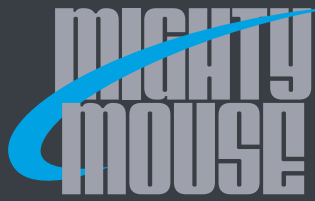
Turning to wire termination, Mighty Mouse is again the equal of its larger and heavier role-model. We offer straight and right-angle PC tail terminations, single and double-ended cordsets (which by the way are available as quick-turn catalog items, even including high-speed variants, shielded and overmolded versions), solder cup, and of course crimp. We even offer flex terminations and back-to-back jumpers.

Plating

Glenair is a major innovator in material and plating technologies, particularly for conductive and RoHS (cadmium-free) applications. Some of the more popular Glenair material and plating solutions include selectively-plated composites, RoHS-compliant Nickel-PTFE, and electroless-nickel—all available for Mighty Mouse. Glenair has mastered the difficult challenges of fielding conductive specialty metal parts in harsh and corrosive applications and can offer all the latest Mil-qualified formulas (including qualified Tin-Zinc plating) as well as unique in-house solutions for special applications. All our materials are sourced in accordance with DFARS 252.225-7014 Preference for domestic specialty metals requirements.

Mighty Mouse Performance: Superior to D38999

We’ve already offered quite a few facts demonstrating how Mighty Mouse, even with its smaller size and weight, is equal to the performance standards set by MIL-DTL-38999. So next we’ll take a look at some of the ways this ultraminiature connector actually outperforms 38999.

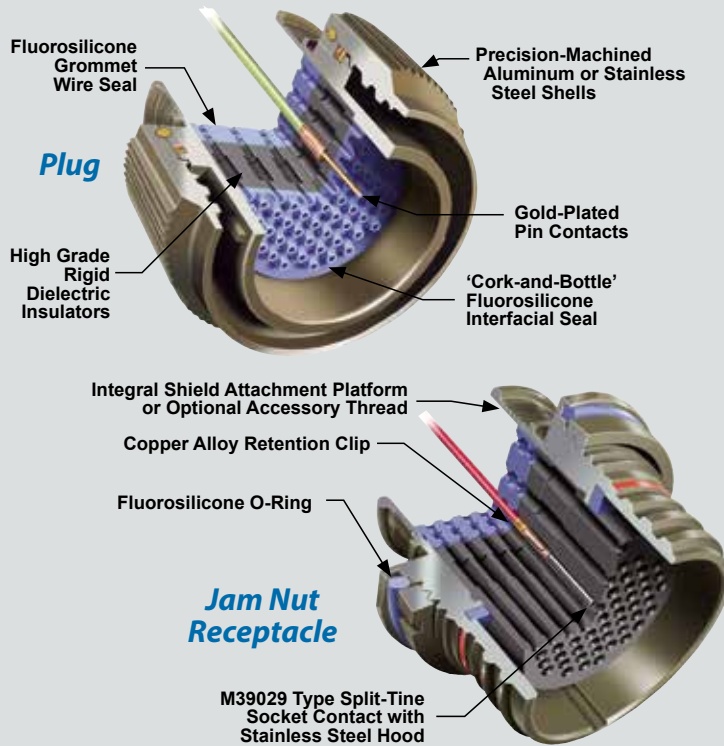


SERIES 80

Mighty Mouse Connectors and Cables



Performance Features



More Shell Sizes and Contact Arrangements

First of all, Mighty Mouse offers a greater range of small shell sizes with higher contact counts for more efficient matching of I/O circuit requirements to LRU boxes and panels. This, combined with the broader range of coupling styles offered by Mighty Mouse, makes the connector series far more versatile than 38999. In other words, users can standardize on Mighty Mouse more readily than 38999—throughout their entire range of application requirements—without having to turn to a different series with new contact termination tooling, assembly procedures, quality standards and so on to meet unique or unanticipated circuit packaging requirements.

More High-Performance Features

Mighty Mouse offers broader wire support, from size 22 to 28, turnkey cordsets—right out of the catalog with short lead-times and guaranteed quality, optional shield termination band porch or accessory thread interface, a complete family of high-performance, small form-factor backshells, split-shell Cobra designs (more on this later) for ultra-low-profile wire routing, a compatible rectangular series—Micro-Crimp—that features the exact same contacts, density and performance as Mighty Mouse, and last but not least, the performance benefits of lower harmonic shock susceptibility that comes from the reduced mass of Mighty Mouse compared to 38999.

Six Mating Styles

Turning to mating technology, MIL-DTL-38999 offers four mating styles: two bayonets, the popular triple-start threaded, and the breach-lock series IV. Mighty Mouse offers six mating interface designs: The series 800 UNF thread version designed for use in small instruments, the Series 801—our most popular style—that combines small size with rapid double-start stub ACME mating, the threaded-coupling Aqua Mouse with its high-pressure piston seal for 3500 PSI applications, the quarter-turn-to-full-mate series 803 bayonet, the quick-disconnect series 804 push-pull, and the Series 805 with triple-start coupling and ratcheting anti-decoupling mechanism—a work-alike to the Series III 38999—all of course with reduced size and weight as the principle differentiator.

A Broader Range of Contacts

Both 38999 and Mighty Mouse offer an incredibly broad range of signal, data, power, RF, and specialty contacts. But Mighty Mouse once again outstrips 38999 with a broader range of contact sizes and types including layouts with size 23, 20, 20HD, 16, 12, and size 8 contact accommodation. Mighty Mouse also offers a broader range of hybrid layouts and more sizes and types of fiber optic termini, pneumatic termini, opto-electronic contacts, low-insertion-force contacts and more. In fact, no other connector series in our industry supports as diverse a range of contact technologies as Mighty Mouse.

Constant, Relentless Innovation

Another strength of Mighty Mouse compared to D38999 is the relentless innovation that has brought the series to a point where it now outperforms the series in versatility and application flexibility. Glenair also offers a range of series extensions including high-speed, high-density, USB equipped, and fiber-optic variants. High-quality documentation, including performance specifications and comprehensive test reports are available for every solution available at www.glenair.com/technical-information-test-reports.



SERIES 80

Mighty Mouse Connectors and Cables



Standard Connector Mating Style Guide

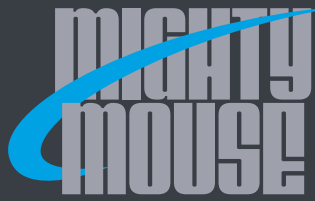
The Series 80 Mighty Mouse Connector is designed for high-reliability commercial and aerospace/defense interconnect applications that require both robust environmental/EMI performance and reduced size and weight. The Series 80 Mighty Mouse Connector offers comparable performance to MIL-DTL-38999 Series interconnects with up to 71% weight and 52% size savings for similar contact layouts. The six versions of the product offer a variety of styles and features to suit just about any application.

Series 800

Series 801



Description	UNF Threads	Double-Start ACME Thread
Notes	A general-purpose connector for high-speed Ethernet switches, tactical equipment and instrumentation	More rugged keys and threads compared to Series 800. Faster mating, slightly larger than Series 800
Number of Contacts	1 to 37	1 to 130
Coupling	Threaded Coupling with 4 ½ Turns to Full Mate	Threaded Coupling with 1 ½ Turns to Full Mate
Water Immersion, Mated Condition	MIL-STD-810 Method 512 1 Meter for 1 Hour	MIL-STD-810 Method 512 1 Meter for 1 Hour
EMI Shielding	Good	Good
Vibration and Shock	37 g's Random Vibration; 300 g's Shock	37 g's Random Vibration; 300 g's Shock
Mating Cycles	2000 Cycles	2000 Cycles
Electrical Performance	#12: 23 Amp, 1800 VAC #16: 13 Amp, 1800 VAC #20HD: 7.5 Amp, 1000 VAC #23: 5 Amp, 750 VAC	#12: 23 Amp, 1800 VAC #16: 13 Amp, 1800 VAC #20HD: 7.5 Amp, 1000 VAC #23: 5 Amp, 750 VAC
Proven Performance Applications	Commercial air frame sensors; UAV telemetry; Tactical computers; field radios	Military air frame; Dismounted soldier; Tactical ground weaponry; Avionic (FLIR) systems



SERIES 80

Mighty Mouse Connectors and Cables



Standard Connector Mating Style Guide

Series 802	Series 803	Series 804	Series 805
			
AquaMouse™ 3500 PSI UNEF Thread	Bayonet Coupling	Quick-Disconnect Push-Pull	Triple-Start Stub ACME Thread
Rugged stainless steel and Marine Bronze, resists chemicals. For geophysical and underwater applications	Quick-mating, light duty, general purpose. Not rated for immersion. 50 milliohms shell-to-shell resistance	"Push-Pull" connector for headsets and tactical equipment. Gold-plated spring for long mating life and superior EMI shielding	"Clicker" ratchet mechanism and ground spring for military airframes and avionics boxes. Fast-mating, small form-factor D38999 Series III type
1 to 130	1 to 55	1 to 55	1 to 130
Threaded Coupling with UN Threads	Push-to-Mate, ¼ Turn to Lock	Quick-Disconnect	One Full Turn for Full Mate
1000 Feet Immersion in Salt Water	Splashproof	MIL-STD-810 Method 512 1 Meter for 1 Hour	MIL-STD-810 Method 512 1 Meter for 1 Hour
Good	Fair	Very Good	Excellent
37 g's Random Vibration; 300 g's Shock	37 g's Random Vibration; 300 g's Shock	37 g's Random Vibration; 300 g's Shock	37 g's Random Vibration; 300 g's Shock
2000 Cycles	100 Cycles Aluminum 250 Cycles SST	2000 Cycles Aluminum 2000 Cycles SST	500 Cycles
#12: 23 Amp, 1800 VAC #16: 13 Amp, 1800 VAC #20HD: 7.5 Amp, 1000 VAC #23: 5 Amp, 750 VAC	#12: 23 Amp, 1800 VAC #16: 13 Amp, 1800 VAC #20HD: 7.5 Amp, 1000 VAC #23: 5 Amp, 750 VAC	#12: 23 Amp, 1800 VAC #16: 13 Amp, 1800 VAC #20HD: 7.5 Amp, 1000 VAC #23: 5 Amp, 750 VAC	#12: 23 Amp, 1800 VAC #16: 13 Amp, 1800 VAC #20HD: 7.5 Amp, 1000 VAC #23: 5 Amp, 750 VAC
Pipe line inspection equipment; Well logging; Amphibious vehicles; Unmanned submersibles	Soldier system radios; Autosport diagnostics; Airborne surveillance; Communication systems	Helmet breakaway connector; QDC battery; STAR-PAN applications; Weapon interconnects	Military airframe; Joint Strike Fighter; pressurized zone applications; sensor applications

Connector Series Overview



SERIES 80

Mighty Mouse Connectors and Cables



Special Application Mating Style Guide

In addition to our standard Series 80 Mighty Mouse Connector offerings Glenair has introduced unique variations of the Mighty Mouse Series to meet the requirements of high-speed, high-density applications

Size #8 Contact Arrangements



High-Density

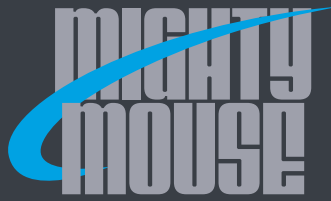


Ultra Low Profile



Description	For Use with Power or Shielded Size #8 Contacts	High-Density	Cobra™
Notes	Low-profile, lightweight connector compatible with size #8 Twinax, Quadrax, coax, and power	TwistPin contacts for increased circuit density and outstanding shock and vibration performance	90 cable routing with superior sealing-IP68 when mated-for complete system protection against water, sand and dust
Number of Contacts	1 to 5	7 to 42	4 to 130
Coupling	Threaded Coupling with: 801 - 1 ½ Turns to Full Mate 805 - 1 full turn to Full Mate	Threaded Coupling with 1 ½ Turns to Full Mate	Threaded Coupling with ratchet mechanism
Water Immersion, Mated Condition	MIL-STD-810 Method 512 1 Meter for 1 Hour	MIL-STD-810 Method 512 1 Meter for 1 Hour	MIL-STD-810 Method 512 1 Meter for 1 Hour
EMI Shielding	801 - Good 805 - Excellent	Good	Excellent
Vibration and Shock	37 g's Random Vibration; 300 g's Shock	37 g's Random Vibration; 300 g's Shock	37 g's Random Vibration; 300 g's Shock
Mating Cycles	801 - 2000 Cycles 805 - 500 Cycles	2000 Cycles	801 and 804: 2000 Cycles 805: 500 Cycles
Electrical Performance	#8 Power Contacts: 46 Amp #8 Coax: 75 Ohm; 1300 VAC #8 Quadrax: 100 Ohm #8 Con. Twinax: 1A; 500 VAC #8 Dif. Twinax: 100 Ohm	3 Amp, 600 VAC	#23: 5 Amp; 750 VAC
Proven Performance Applications	Commercial and military avionics that use industry standard size #8 quadrax, coax, twinax, and power contacts	Ultra high-density solution for soldier gear, unmanned systems, and man-portable satellite uplink equipment	Ideal for soldier systems such as battery units, ruggedized laptops, command, and communications equipment

Connector Series Overview



SERIES 80

Mighty Mouse Connectors and Cables



Special Application Mating Style Guide

Series 80 Mighty Mouse Connector offerings Glenair has introduced unique variations of the Mighty Mouse Series to meet the requirements of high speed, high density applications

CODE RED

Micro USB



Description	Light-Weight Hermetic	SuperSeal™ (See SuperSeal Catalog)
Notes	10 ⁻⁷ ccHe/sec hermetic sealing with improved weight savings and electrical performance	Superior sealing—IP68 when mated and IP67 unmated—for complete system protection against water, sand and dust
Number of Contacts	Connector Dependent	Micro USB
Coupling	Connector Dependent	Double-Start Stub Acme Threaded, QDC Push-Pull, and Triple-Start Threaded
Water Immersion, Mated Condition	No recommended for fluid immersion	MIL-STD-810 Method 512 1 Meter for 1 Hour
EMI Shielding	Connector Dependent	Good
Vibration and Shock	37 g's Random Vibration; 300 g's Shock	37 g's Random Vibration; 300 g's Shock
Mating Cycles	Connector Dependent	2000 Cycles
Electrical Performance	Improved performance over Glass-to-Metal Seal Inconel Connectors	USB: Signal pins: 1 Amp Power pins: 1.8 Amp DWV: 600 VAC
Proven Performance Applications	Commercial and military avionics that use industry standard size #8 quadrax, coax, twinax and power contacts	Ruggedized environmental solution for commercial grade micro USB integration in military and avionics gear

Connector Series Overview



SERIES 80

Mighty Mouse Connectors and Cables

Cordsets and Jumper Cables



Standard and High-Speed Cordsets

AVAILABLE FOR ALL MIGHTY MOUSE SERIES CONNECTORS

Harsh Environment Shielded Cordsets



Point-to-point cordsets with polyamide or high-temp rubber overmolding and shielded, jacketed cable for environmental applications

Ultraflexible Phantom Cordsets



Point-to-point cordsets with polyamide or high-temp rubber overmolding and flexible fabric overbraid for non-environmental applications

High-Pressure AquaMouse Cordsets



Point-to-point cordsets with polyamide or high-temp rubber overmolding and shielded, jacketed cable for high-pressure applications

Mighty Mouse Cordsets for Ethernet and other high-speed data applications



Native Mighty Mouse to Mighty Mouse point-to-point cordsets with polyamide or high-temp rubber overmolding and shielded, jacketed cable for high-speed applications



Mighty Mouse to commercial USB point-to-point cordsets with polyamide or high-temp rubber overmolding and shielded, jacketed cable for Universal Serial Bus applications



Mighty Mouse to commercial RJ45 point-to-point cordsets with polyamide or high-temp rubber overmolding and shielded, jacketed cable for Cat 5 and Cat 6 Ethernet applications

Special application, point-to-point cordsets



Unique overmolding compounds, jacketing and overbraid materials available on a build-to-print basis

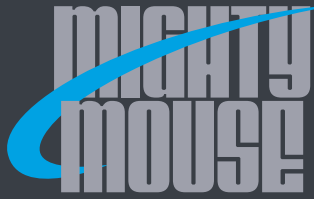


Incorporation of customer-supplied connectors, including audio frequency and non-standard power connectors



Ethernet jumpers incorporating Mighty Mouse connectors in place of non-rugged commercial connectors

Connector Series Overview



SERIES 80

Mighty Mouse Connectors and Cables



Complex Cable Assemblies for Mission-Critical Applications

Turnkey Complex and Multibranch Cable Assemblies

SAVE TIME, LABOR, AND ENGINEERING BANDWIDTH WITH GLENAIR MIGHTY MOUSE BUILD-TO-PRINT CABLES AND JUMPER ASSEMBLIES

Harsh Environment Overmolded

Ultraflexible Fabric Overbraid



Overmolded breakout assembly featuring 100% Glenair content; a true turnkey solution



Non-environmental aircraft cable with integrated circuit breakout box and Mighty Mouse 804 push-pull connectors



Multibranch cable assembly with Glenair Mighty Mouse, HiPer-D M24308 and customer-supplied power connector



Heads-up display (HUD) cable with custom Series 804 Mighty Mouse and low-profile cable routing



Turnkey overmolded GPS cable assembly with integrated switch



Military jet jumper cable with user-serviceable backshells and fabric overbraid for mechanical protection



Environmental cable with Glenair Series 804 Mighty Mouse, Series 79 Micro-Crimp, and RF Coax terminations



Hybrid Mighty Mouse and Micro-D aircraft pilot helmet cable assembly

Connector Series Overview



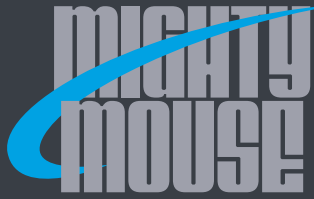
PERFORMANCE AND SPECIFICATIONS In-House Third-Party DLA Certified (EIA-364) Test Lab

Qualification testing for Series 80
Mighty Mouse electrical, mechanical,
and environmental requirements



Visit www.glenair.com/technical-information-test-reports for high-speed signal integrity, application notes, vibration and shock, environmental resistance, and other test documentation

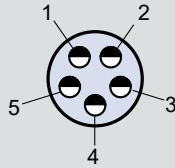




SERIES 80

Mighty Mouse Connectors and Cables

General Information and Reference



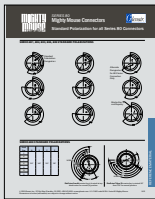
Series 80 Contact Layouts

Standard contact arrangements
Standard contact layouts and PCB footprints
Combo contact arrangements tested at 750 Vac
Combo contact layouts and PCB footprints
Combo contact arrangements tested at 1300 Vac
Combo contact layouts and PCB footprints

Page B-2

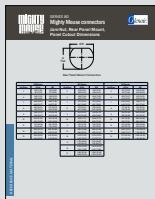
Page B-13

Page B-15



Alternate Key and Keyway Positions

Page B-19



Panel Cutout Dimensions

Rear panel mount panel cutout dimensions
Front panel mount panel cutout dimensions
Flange mount panel cutout dimensions

Page B-20



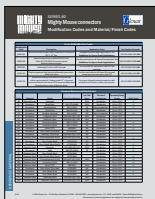
Series 80 Recommended Torque Values

Page B-25



Series 80 Guidelines for Space Grade Applications, Screening, and Outgassing

Page B-26



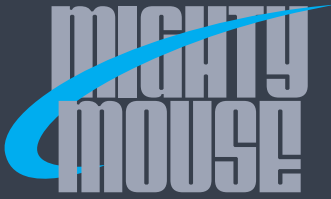
Series 80 Modification Codes and Material / Finish Codes

Page B-31



Series 80 Performance Test Report IAW MIL-DTL-810

Page B-32



SERIES 80

Mighty Mouse Connectors and Cables

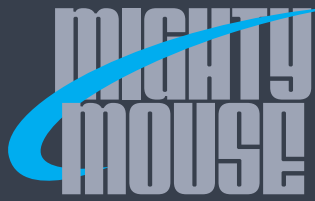


Standard Contact Layouts and Specifications

Contact Size and Quantity					Specifications			Contact Arrangement					
#23	#20HD	#16	#12	#8	Max Current Rating (Amps)	AWG Accepted	VAC DWV	Series 800	Series 801	Series 802	Series 803	Series 804	Series 805
3					5	#22-#28	750	5-3	5-3	5-3	5-3	5-3	N/A
4					5	#22-#28	750	6-4	6-4	6-4	6-4	6-4	8-4
6					5	#22-#28	750	6-6	6-6	6-6	6-6	6-6	8-6
7					5	#22-#28	750	6-7	6-7	6-7	6-7	6-7	8-7
10					5	#22-#28	750	7-10	7-10	7-10	7-10	7-10	9-10
13					5	#22-#28	750	8-13	8-13	8-13	8-13	8-13	10-13
19					5	#22-#28	750	9-19	9-19	9-19	9-19	9-19	11-19
26					5	#22-#28	750	10-26	10-26	10-26	10-26	10-26	12-26
31					5	#22-#28	750	N/A	11-31	N/A	11-31	11-31	13-31
37					5	#22-#28	750	12-37	13-37	12-37	12-37	12-37	15-37
55					5	#22-#28	750	N/A	16-55	14-55	14-55	14-55	18-55
85					5	#22-#28	750	N/A	17-85	15-85	N/A	N/A	19-85
100					5	#22-#28	750	N/A	19-100	19-100	N/A	N/A	21-100
130					5	#22-#28	750	N/A	21-130	21-130	N/A	N/A	23-130
	3				7.5	#20-#24	1000	6-23	6-23	6-23	6-23	6-23	8-23
	5				7.5	#20-#24	1000	7-25	7-25	7-25	7-25	7-25	9-25
	8				7.5	#20-#24	1000	8-28	8-28	8-28	8-28	8-28	10-28
	10				7.5	#20-#24	1000	9-210	9-210	9-210	9-210	9-210	11-210
	20				7.5	#20-#24	1000	12-220	13-220	12-220	12-220	12-220	15-220
	35				7.5	#20-#24	1000	N/A	16-235	14-235	14-235	14-235	18-235
	41				7.5	#20-#24	1000	N/A	17-241	15-241	N/A	N/A	19-241
	55				7.5	#20-#24	1000	N/A	19-255	19-255	N/A	N/A	21-255
	69				7.5	#20-#24	1000	N/A	21-269	21-269	N/A	N/A	23-269
		1			13	#16-#20	1800	6-1	6-1	6-1	6-1	6-1	8-1
		2			13	#16-#20	1800	8-2	8-2	8-2	8-2	8-2	10-2
		4			13	#16-#20	1800	9-4	9-4	9-4	9-4	9-4	11-4
		5			13	#16-#20	1800	10-5	10-5	10-5	10-5	10-5	12-5
		7			13	#16-#20	1800	12-7	13-7	12-7	12-7	12-7	15-7
		12			13	#16-#20	1800	N/A	16-12	14-12	14-12	14-12	18-12
		14			13	#16-#20	1800	N/A	17-14	15-14	N/A	N/A	19-14
		19			13	#16-#20	1800	N/A	19-19	19-19	N/A	N/A	21-19
		22			13	#16-#20	1800	N/A	21-22	21-22	N/A	N/A	23-22
			1		23	#12-#14	1800	7-1	7-1	7-1	7-1	7-1	9-1
			2		23	#12-#14	1800	10-2	10-2	10-2	10-2	10-2	12-2
			2		23	#12-#14	1800	12-2	13-2	12-2	12-2	12-2	15-2
			3		23	#12-#14	1800	12-3	13-3	12-3	12-3	12-3	15-3
			4		23	#12-#14	1800	N/A	16-4	14-4	14-4	14-4	18-4
			5		23	#12-#14	1800	N/A	16-5	14-5	14-5	14-5	18-5
			7		23	#12-#14	1800	N/A	17-7	15-7	N/A	N/A	19-7
			12		23	#12-#14	1800	N/A	21-12	21-12	N/A	N/A	23-12
				1	46	#8	1800	N/A	8-1	8-1	N/A	N/A	10-1
				2	46	#8	1800	N/A	16-2	14-2	N/A	N/A	18-2
				3	46	#8	1800	N/A	17-3	15-3	N/A	N/A	19-3
				4	46	#8	1800	N/A	19-4	19-4	N/A	N/A	21-4
				5	46	#8	1800	N/A	21-5	21-5	N/A	N/A	23-5

General Information and Reference

* DWV rating is applicable to contact arrangements shown



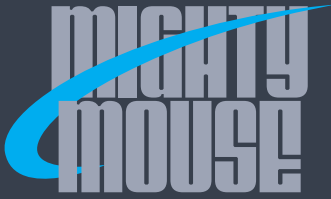
SERIES 80

Mighty Mouse Connectors and Cables



Combo Contact Layouts and Specifications

Contact Size and Quantity					Specifications		Contact Arrangement					
#23	20	#16	#12	#8	Test Vac	AWG Accepted	Series 800	Series 801	Series 802	Series 803	Series 804	Series 805
12			1		750	#22-#28	10-200	10-200	10-200	10-200	10-200	12-200
4			2		750	#22-#28	10-201	10-201	10-201	10-201	10-201	12-201
6			2		750	#22-#28	12-200	13-200	12-200	12-200	12-200	15-200
10			2		750	#22-#28	12-201	13-201	12-201	12-201	12-201	15-201
4		2			750	#22-#28	9-200	9-200	9-200	9-200	9-200	11-200
8		2			750	#22-#28	10-202	10-202	10-202	10-202	10-202	12-202
4	2				750	#22-#28	8-200	8-200	8-200	8-200	8-200	10-200
8	2				750	#22-#28	9-201	9-201	9-201	9-201	9-201	11-201
20		2			1300	#22-#28	12-202	13-202	12-202	12-202	12-202	15-202
12		4			1300	#22-#28	12-203	13-203	12-203	12-203	12-203	15-203
40		2			1300	#22-#28	N/A	16-204	14-204	14-204	14-204	18-204
32		4			1300	#22-#28	N/A	16-205	14-205	14-205	14-205	18-205
40		4			1300	#22-#28	N/A	17-203	15-203	N/A	N/A	19-203
58		4			1300	#22-#28	N/A	17-206	15-206	N/A	N/A	19-206
12			2		1300	#22-#28	12-204	13-204	12-204	12-204	12-204	15-204
4			4		1300	#22-#28	12-205	13-205	12-205	12-205	12-205	15-205
34			2		1300	#22-#28	N/A	16-206	14-206	14-206	14-206	18-206
20			4		1300	#22-#28	N/A	16-207	14-207	14-207	14-207	18-207
28			4		1300	#22-#28	N/A	17-204	15-204	N/A	N/A	19-204
18				1	1300	#22-#28	N/A	11-201	11-201	N/A	11-201	13-201
32				1	1300	#22-#28	N/A	16-208	14-208	N/A	14-208	18-208
40				1	1300	#22-#28	N/A	17-205	15-205	N/A	N/A	19-205
44				2	1300	#22-#28	N/A	19-201	19-201	N/A	N/A	21-201
12				4	1300	#22-#28	N/A	19-202	19-202	N/A	N/A	21-202
28				4	1300	#22-#28	N/A	21-200	21-200	N/A	N/A	23-200



SERIES 80

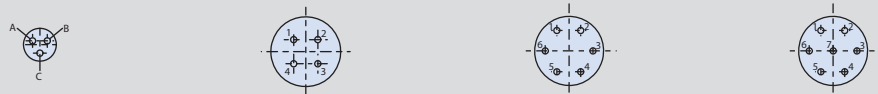
Mighty Mouse Connectors and Cables



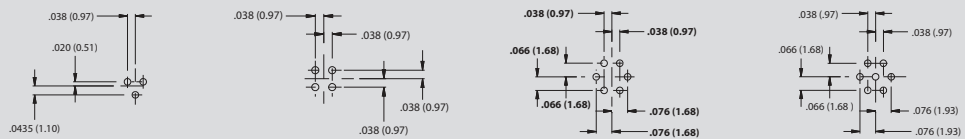
Size 23 Standard Contact Layouts / DWV and PCB Footprints

Size 23 Contact Specifications				Contact Arrangement					
Quantity	Max Current Rating (Amps)	AWG Accepted	VAC DWV	Series 800	Series 801	Series 802	Series 803	Series 804	Series 805
3	5	#22-#28	750	5-3	5-3	5-3	5-3	5-3	N/A
4	5	#22-#28	750	6-4	6-4	6-4	6-4	6-4	8-4
6	5	#22-#28	750	6-6	6-6	6-6	6-6	6-6	8-6
7	5	#22-#28	750	6-7	6-7	6-7	6-7	6-7	8-7
10	5	#22-#28	750	7-10	7-10	7-10	7-10	7-10	9-10
13	5	#22-#28	750	8-13	8-13	8-13	8-13	8-13	10-13
19	5	#22-#28	750	9-19	9-19	9-19	9-19	9-19	11-19
26	5	#22-#28	750	10-26	10-26	10-26	10-26	10-26	12-26
31	5	#22-#28	750	N/A	11-31	N/A	11-31	11-31	13-31
37	5	#22-#28	750	12-37	13-37	12-37	12-37	12-37	15-37
55	5	#22-#28	750	N/A	16-55	14-55	14-55	14-55	18-55
85	5	#22-#28	750	N/A	17-85	15-85	N/A	N/A	19-85
100	5	#22-#28	750	N/A	19-100	19-100	N/A	N/A	21-100
130	5	#22-#28	750	N/A	21-130	21-130	N/A	N/A	23-130

Inert Arrangement
Mating Face View of Pin Contacts



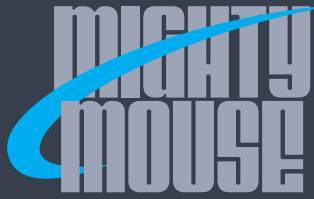
PCB Footprint



Series 800, 802, 803, 804	5-3	6-4	6-6	6-7
Series 801	5-3	6-4	6-6	6-7
Series 805	N/A	8-4	8-6	8-7
Contact Size	23	23	23	23
No. of Contacts	3	4	6	7
DWV Voltage (VAC)	750	750	750	750
Current Rating (Amps)	5	5	5	5

General Information and Reference

1. Not available for Series 800 2. Not available for Series 803 or 804



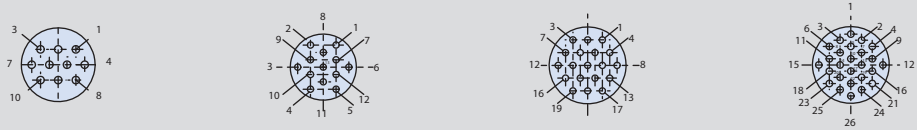
SERIES 80

Mighty Mouse Connectors and Cables

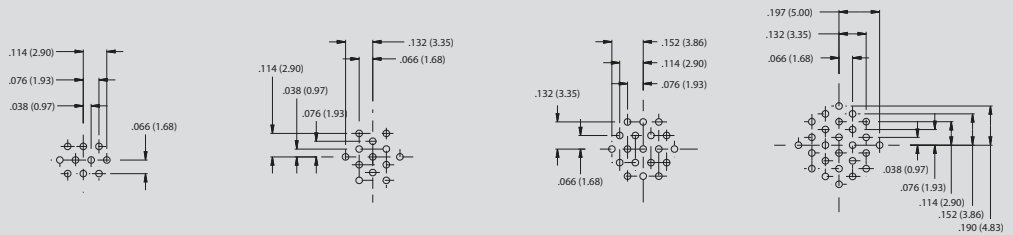


Size 23 Standard Contact Layouts / DWV and PCB Footprints

Inert Arrangement
Mating Face View of Pin Contacts

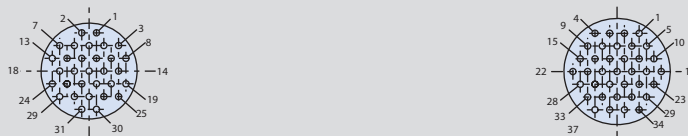


PCB Footprint

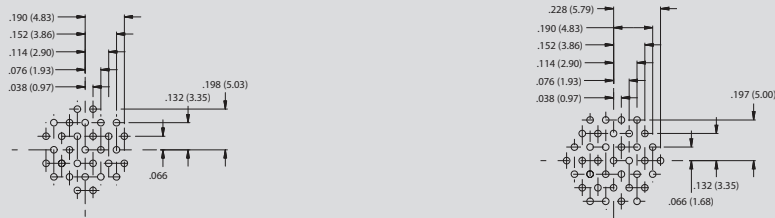


	7-10	8-13	9-19	10-26
Series 800, 802, 803, 804	7-10	8-13	9-19	10-26
Series 801	7-10	8-13	9-19	10-26
Series 805	9-10	10-13	11-19	12-26
Contact Size	23	23	23	23
No. of Contacts	10	13	19	26
DWV Voltage (VAC)	750	750	750	750
Current Rating (Amps)	5	5	5	5

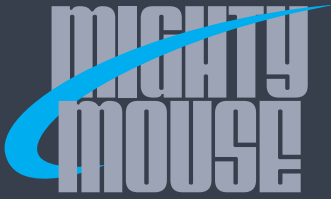
Inert Arrangement
Mating Face View of Pin Contacts



PCB Footprint



	11-31 ¹	12-37
Series 800, 802, 803, 804	11-31 ¹	12-37
Series 801	11-31	13-37
Series 805	13-31	15-37
Contact Size	23	23
No. of Contacts	31	37
DWV Voltage (VAC)	750	750
Current Rating (Amps)	5	5



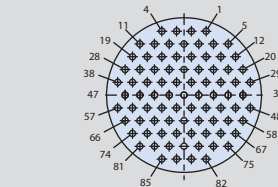
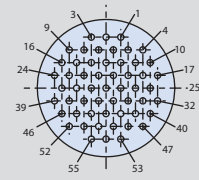
SERIES 80

Mighty Mouse Connectors and Cables

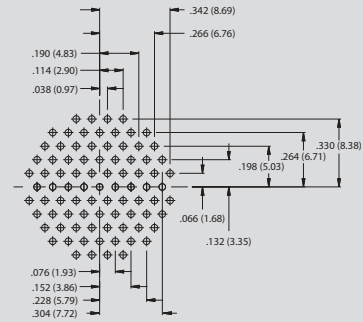
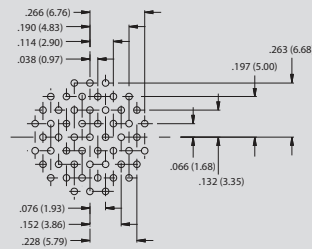


Size 23 Standard Contact Layouts and PCB Footprints

Inert Arrangement
Mating Face View of Pin Contacts



PCB Footprint



Series 800, 802, 803, 804	14-55 ¹	15-85 ^{1,2}
Series 801	16-55	17-85
Series 805	18-55	19-85
Contact Size	23	23
No. of Contacts	55	85
DWV Voltage (VAC)	750	750
Current Rating (Amps)	5	5

1. Not available for Series 800 2. Not available for Series 803 or 804

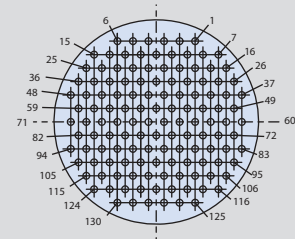
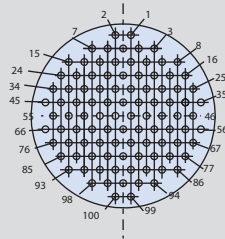


SERIES 80 Mighty Mouse Connectors and Cables

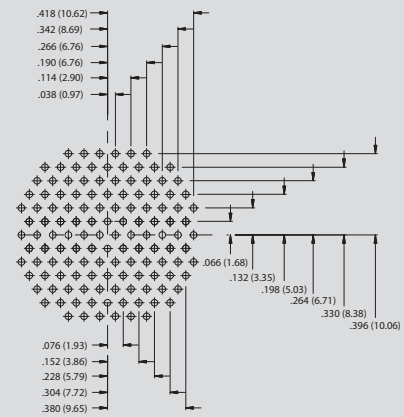
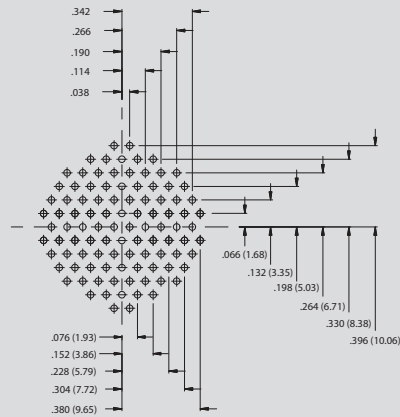
Size 23 Standard Contact Layouts and PCB Footprints



Inert Arrangement
Mating Face View of Pin Contacts

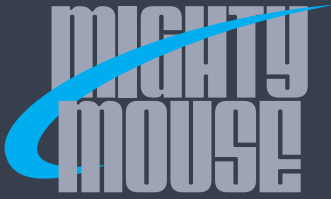


PCB Footprint



Series 800, 802, 803, 804	19-100 ^{1,2}	21-130 ^{1,2}
Series 801	19-100	21-130
Series 805	21-100	23-130
Contact Size	23	23
No. of Contacts	100	130
DWV Voltage (VAC)	750	750
Current Rating (Amps)	5	5

1. Not available for Series 800 2. Not available for Series 803 or 804



SERIES 80

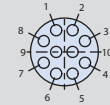
Mighty Mouse Connectors and Cables



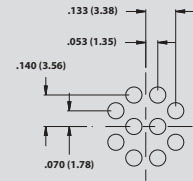
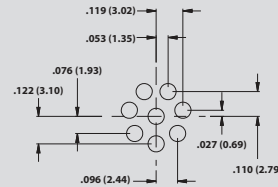
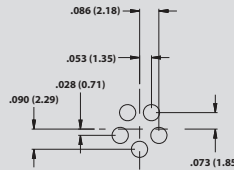
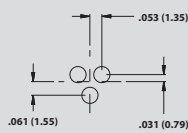
Size 20HD Standard Contact Layouts and PCB Footprints

Size 20HD Contact Specifications				Contact Arrangement					
Quantity	Max Current Rating (Amps)	AWG Accepted	Test VAC	Series 800	Series 801	Series 802	Series 803	Series 804	Series 805
3	7.5	#20-#24	1000	6-23	6-23	6-23	6-23	6-23	8-23
5	7.5	#20-#24	1000	7-25	7-25	7-25	7-25	7-25	9-25
8	7.5	#20-#24	1000	8-28	8-28	8-28	8-28	8-28	10-28
10	7.5	#20-#24	1000	9-210	9-210	9-210	9-210	9-210	11-210
20	7.5	#20-#24	1000	12-220	13-220	12-220	12-220	12-220	15-220
35	7.5	#20-#24	1000	N/A	16-235	14-235	14-235	14-235	18-235
41	7.5	#20-#24	1000	N/A	17-241	15-241	N/A	N/A	19-241
55	7.5	#20-#24	1000	N/A	19-255	19-255	N/A	N/A	21-255
69	7.5	#20-#24	1000	N/A	21-269	21-269	N/A	N/A	23-269

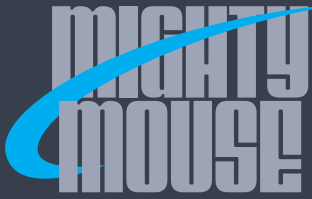
Inert Arrangement
Mating Face View of Pin
Contacts



PCB Footprint



Series 800, 802, 803, 804	6-23	7-25	8-28	9-210
Series 801	6-23	7-25	8-28	9-210
Series 805	8-23	9-25	10-28	11-210
Contact Size	20HD	20HD	20HD	20HD
No. of Contacts	3	5	8	10
Test Vac	1000	1000	1000	1000
Current Rating (Amps)	7.5	7.5	7.5	7.5



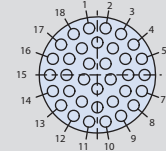
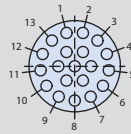
SERIES 80

Mighty Mouse Connectors and Cables

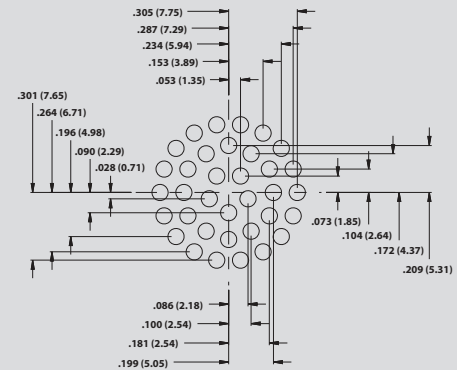
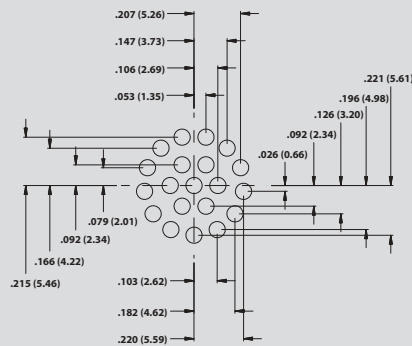


Size 20HD Standard Contact Layouts and PCB Footprints

Inert Arrangement
Mating Face View of Pin
Contacts

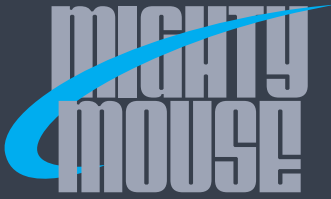


PCB Footprint



Series 800, 802, 803, 804	12-220	14-235 ¹
Series 801	13-220	16-235
Series 805	15-220	18-235
Contact Size	20HD	20HD
No. of Contacts	20	35
DWV Voltage (VAC)	1000	1000
Current Rating (Amps)	7.5	7.5

1. Not available for Series 800



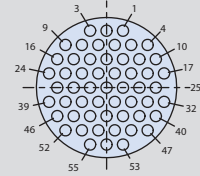
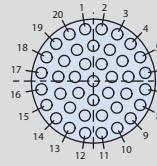
SERIES 80

Mighty Mouse Connectors and Cables

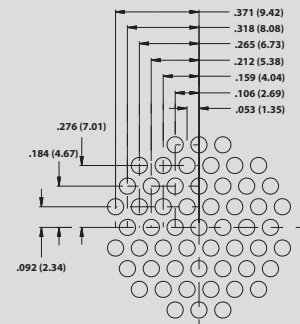
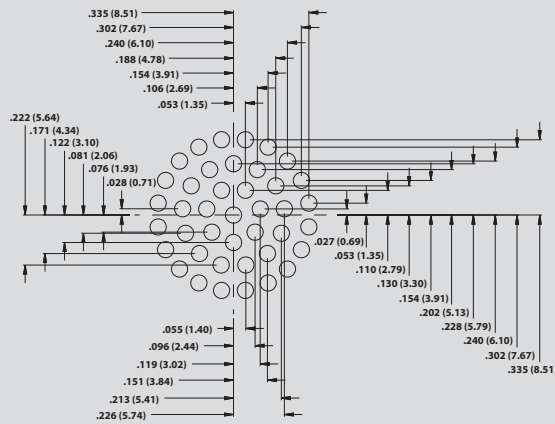


Size 20HD Standard Contact Layouts and PCB Footprints

Inert Arrangement
Mating Face View of Pin
Contacts



PCB Footprint



Series 800, 802, 803, 804	15-241 ^{1,2}	19-255 ^{1,2}
Series 801	17-241	19-255
Series 805	19-241	21-255
Contact Size	20HD	20HD
No. of Contacts	41	55
DWV Voltage (VAC)	1000	1000
Current Rating (Amps)	7.5	7.5

1. Not available for Series 800 2. Not available for Series 803 or 804



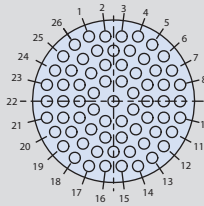
SERIES 80

Mighty Mouse Connectors and Cables

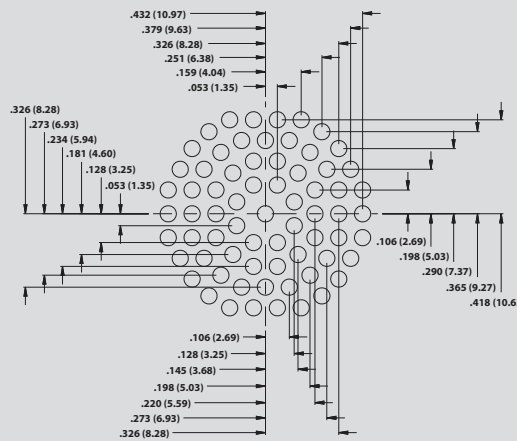


Size 20HD Standard Contact Layouts and PCB Footprints

Inert Arrangement
Mating Face View of Pin
Contacts



PCB Footprint



Series 800, 802, 803, 804

21-269^{1,2}

Series 801

21-269

Series 805

19-241

Contact Size

20HD

No. of Contacts

69

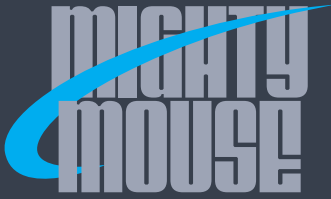
DWV Voltage (VAC)

1000

Current Rating (Amps)

7.5

1. Not available for Series 800 2. Not available for Series 803 or 804



SERIES 80

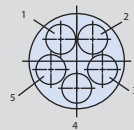
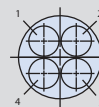
Mighty Mouse Connectors and Cables



Size 16 Standard Contact Layouts and PCB Footprints

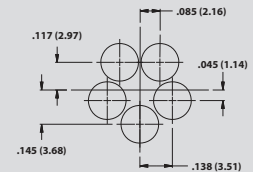
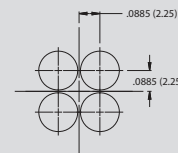
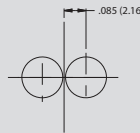
Size 16 Contact Specifications				Contact Arrangement					
Quantity	Max Current Rating (Amps)	AWG Accepted	VAC DWV	Series 800	Series 801	Series 802	Series 803	Series 804	Series 805
1	13	#16-#20	1800	6-1	6-1	6-1	6-1	6-1	8-1
2	13	#16-#20	1800	8-2	8-2	8-2	8-2	8-2	10-2
4	13	#16-#20	1800	9-4	9-4	9-4	9-4	9-4	11-4
5	13	#16-#20	1800	10-5	10-5	10-5	10-5	10-5	12-5
7	13	#16-#20	1800	12-7	13-7	12-7	12-7	12-7	15-7
12	13	#16-#20	1800	N/A	16-12	14-12	14-12	14-12	18-12
14	13	#16-#20	1800	N/A	17-14	15-14	N/A	N/A	19-14
19	13	#16-#20	1800	N/A	19-19	19-19	N/A	N/A	21-19
22	13	#16-#20	1800	N/A	21-22	21-22	N/A	N/A	23-22

Inert Arrangement
Mating Face View of Pin Contacts

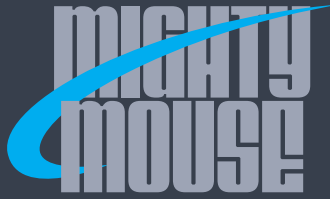


PCB Footprint

N/A



Series 800, 802, 803, 804	6-1	8-2	9-4	10-5
Series 801	6-1	8-2	9-4	10-5
Series 805	8-1	10-2	11-4	12-5
Contact Size	16	16	16	16
No. of Contacts	1	2	4	5
DWV Voltage (VAC)	1800	1800	1800	1800
Current Rating (Amps)	13	13	13	13



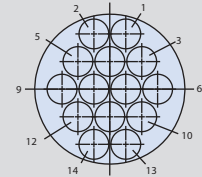
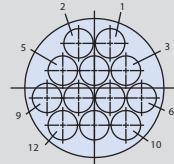
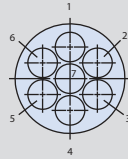
SERIES 80

Mighty Mouse Connectors and Cables

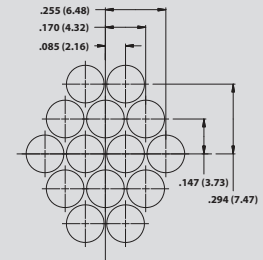
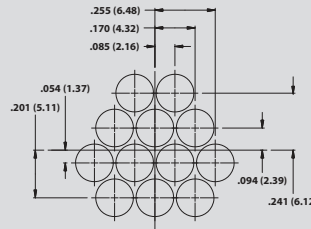
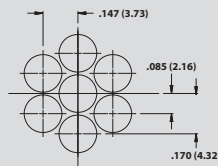


Size 16 Standard Contact Layouts and PCB Footprints

Inert Arrangement
Mating Face View of Pin Contacts

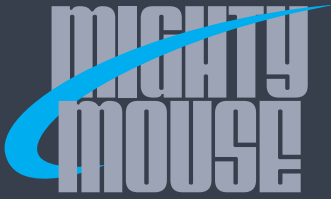


PCB Footprint



Series 800, 802, 803, 804	12-7	14-12 ¹	15-14 ^{1,2}
Series 801	13-7	16-12	17-14
Series 805	15-7	18-12	19-14
Contact Size	16	16	16
No. of Contacts	7	12	14
DWV Voltage (VAC)	1800	1800	1800
Current Rating (Amps)	13	13	13

1. Not available for Series 800 2. Not available for Series 803 or 804



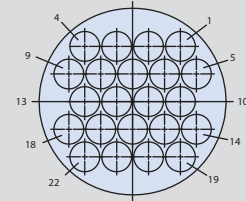
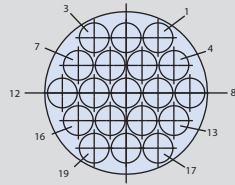
SERIES 80

Mighty Mouse Connectors and Cables

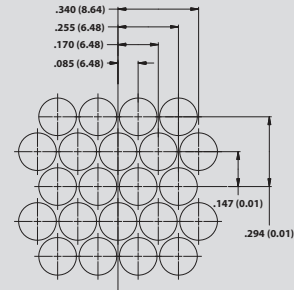
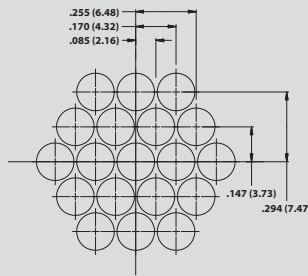


Size 16 Standard Contact Layouts and PCB Footprints

Inert Arrangement
Mating Face View of Pin Contacts

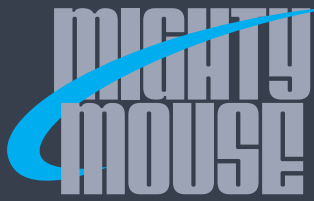


PCB Footprint



Series 800, 802, 803, 804	19-19 ^{1,2}	21-22 ^{1,2}
Series 801	19-19	21-22
Series 805	21-19	23-22
Contact Size	16	16
No. of Contacts	19	22
DWV Voltage (VAC)	1800	1800
Current Rating (Amps)	13	13

1. Not available for Series 800 2. Not available for Series 803 or 804



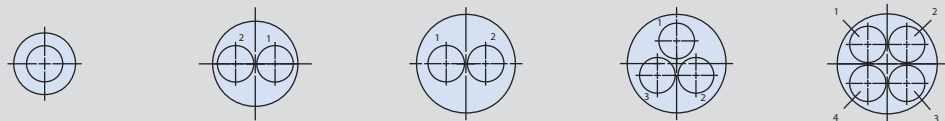
SERIES 80 Mighty Mouse Connectors and Cables

Size 12 Standard Contact Layouts and PCB Footprints



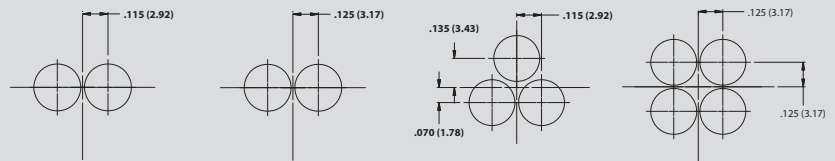
Size 12 Contact Specifications				Contact Arrangement					
Quantity	Max Current Rating (Amps)	AWG Accepted	VAC DWV	Series 800	Series 801	Series 802	Series 803	Series 804	Series 805
1	23	#12-#14	1800	7-1	7-1	7-1	7-1	7-1	9-1
2	23	#12-#14	1800	10-2	10-2	10-2	10-2	10-2	12-2
2	23	#12-#14	1800	12-2	13-2	12-2	12-2	12-2	15-2
3	23	#12-#14	1800	12-3	13-3	12-3	12-3	12-3	15-3
4	23	#12-#14	1800	N/A	16-4	14-4	14-4	14-4	18-4
5	23	#12-#14	1800	N/A	16-5	14-5	14-5	14-5	18-5
7	23	#12-#14	1800	N/A	17-7	15-7	N/A	N/A	19-7
12	23	#12-#14	1800	N/A	21-12	21-12	N/A	N/A	23-12

Inert Arrangement
Mating Face View of Pin Contacts



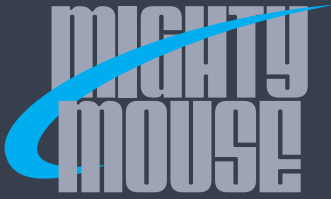
PCB Footprint

N/A



Series 800, 802, 803, 804	7-1	10-2	12-2	12-3	14-4 ¹
Series 801	7-1	10-2	13-2	13-3	16-4
Series 805	9-1	12-2	15-2	15-3	18-4
Contact Size	12	12	12	12	12
No. of Contacts	1	2	2	3	4
DWV Voltage (VAC)	1800	1800	1800	1800	1800
Current Rating (Amps)	23	23	23	23	23

1. Not available for Series 800



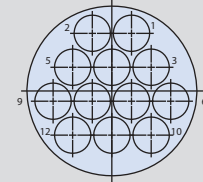
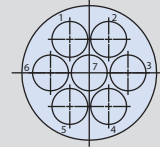
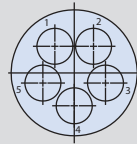
SERIES 80

Mighty Mouse Connectors and Cables

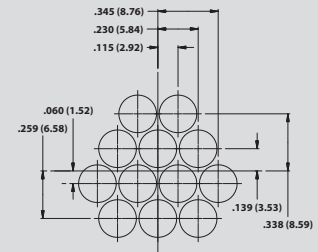
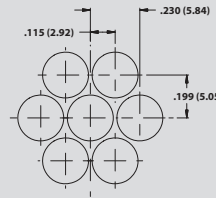
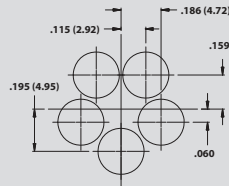


Size 12 Standard Contact Layouts and PCB Footprints

Inert Arrangement
Mating Face View of Pin
Contacts

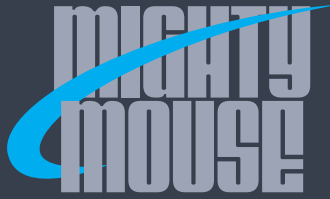


PCB Footprint



Series 800, 802, 803, 804	14-5 ¹	15-7 ^{1,2}	21-12 ^{1,2}
Series 801	16-5	17-7	21-12
Series 805	18-5	19-7	23-12
Contact Size	12	12	12
No. of Contacts	5	7	12
DWV Voltage (VAC)	1800	1800	1800
Current Rating (Amps)	23	23	23

1. Not available for Series 800 2. Not available for Series 803 or 804



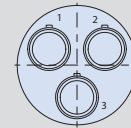
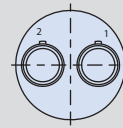
SERIES 80 Mighty Mouse Connectors and Cables

Size 8 Standard Contact Layouts and PCB Footprints



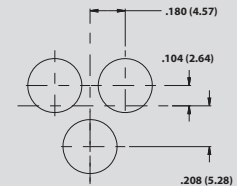
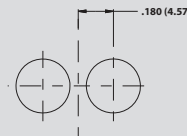
Size 8 Contact Specifications				Contact Arrangement					
Quantity	Max Current Rating (Amps)	AWG Accepted	VAC DWV	Series 800	Series 801	Series 802	Series 803	Series 804	Series 805
1	46	#8	1800	N/A	8-1	8-1	N/A	N/A	10-1
2	46	#8	1800	N/A	16-2	14-2	N/A	N/A	18-2
3	46	#8	1800	N/A	17-3	15-3	N/A	N/A	19-3
4	46	#8	1800	N/A	19-4	19-4	N/A	N/A	21-4
5	46	#8	1800	N/A	21-5	21-5	N/A	N/A	23-5

Inert Arrangement
Mating Face View of Pin Contacts



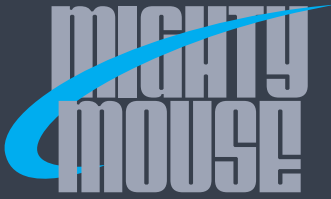
PCB Footprint

N/A



Series 802, 803	8-1	14-2 ¹	15-3 ^{1,2}
Series 801	8-1	16-2	17-3
Series 805	10-1	18-2	19-3
Contact Size	8	8	8
No. of Contacts	1	2	3
DWV Voltage (VAC)	1800	1800	1800
Current Rating (Amps)	46	46	46

1. Not available for Series 800 2. Not available for Series 803 or 804



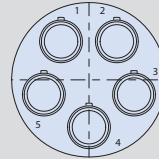
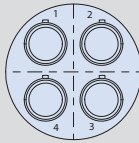
SERIES 80

Mighty Mouse Connectors and Cables

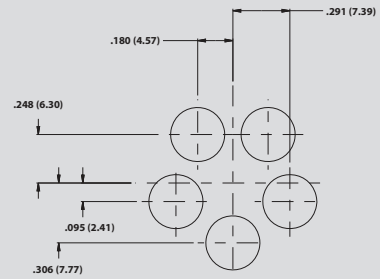
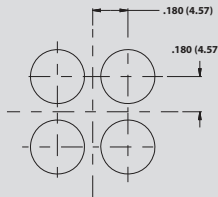


Size 8 Standard Contact Layouts and PCB Footprints

Inert Arrangement
Mating Face View of Pin Contacts



PCB Footprint



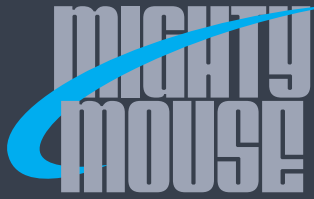
Series 802	19-4 ^{1,2}	21-5 ^{1,2}
Series 801	19-4	21-5
Series 805	21-4	23-5
Contact Size	8	8
No. of Contacts	4	5
DWV Voltage (VAC)	1800	1800
Current Rating (Amps)	46	46

Grounded Metal Inserts For Size 8 Contacts

Series 800, 802, 803, 804	8G1	14G2 ¹	15G3 ^{1,2}	19G4 ^{1,2}	21G5 ^{1,2}
Series 801	8G1	16G2	17G3	19G4	21G5
Series 805	10G1	18G2	19G3	21G4	23G5

General Information and Reference

1. Not available for Series 800 2. Not available for Series 803 or 804



SERIES 80

Mighty Mouse Connectors and Cables

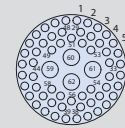
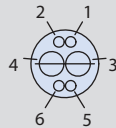


Size 20/23, 16/23, and 12/23 Combo Contact Layouts and PCB Footprints; Tested at 750 VAC

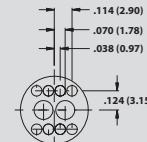
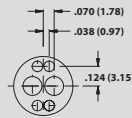
Contact Size, Quantity and Specifications						Contact Arrangement					
#23	20	#16	#12	AWG Accepted	Tested Vac	Series 800	Series 801	Series 802	Series 803	Series 804	Series 805
12			1	#22-#28	750	10-200	10-200	10-200	10-200	10-200	12-200
4			2	#22-#28	750	10-201	10-201	10-201	10-201	10-201	12-201
6			2	#22-#28	750	12-200	13-200	12-200	12-200	12-200	15-200
10			2	#22-#28	750	12-201	13-201	12-201	12-201	12-201	15-201
4		2		#22-#28	750	9-200	9-200	9-200	9-200	9-200	11-200
8		2		#22-#28	750	10-202	10-202	10-202	10-202	10-202	12-202
58		4		#22-#28	750	15-206	17-206	15-206	15-206	15-206	19-206
4	2			#22-#28	750	8-200	8-200	8-200	8-200	8-200	10-200
8	2			#22-#28	750	9-201	9-201	9-201	9-201	9-201	11-201

SIZE 20 AND 23 COMBINATION CONTACT ARRANGEMENTS

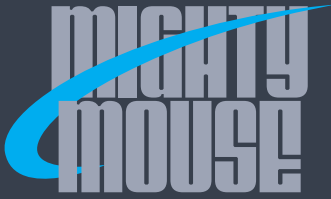
Inert Arrangement
Mating Face View of Pin
Contacts



PCB Footprint



Series 800, 802, 803, 804	8-200		9-201	
Series 801	8-200		9-201	
Series 805	10-200		11-201	
Contact Size	#20	#23	#20	#23
No. of Contacts	2	4	2	8



SERIES 80

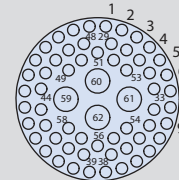
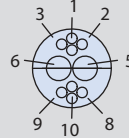
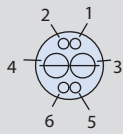
Mighty Mouse Connectors and Cables



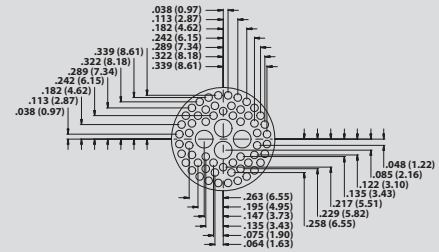
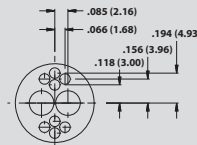
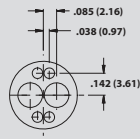
Size 20/23, 16/23, and 12/23 Combo Contact Layouts and PCB Footprints; Tested at 1300 VAC

SIZE 16 AND 23 COMBINATION CONTACT ARRANGEMENTS

Inert Arrangement
Mating Face View of Pin Contacts



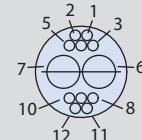
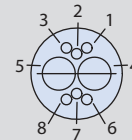
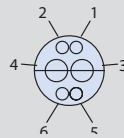
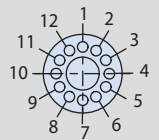
PCB Footprint



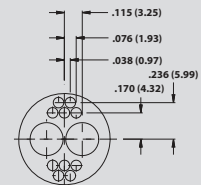
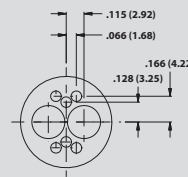
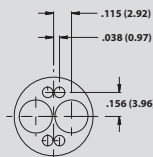
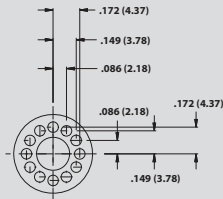
Series 800, 802, 803, 804	9-200		10-202		15-206	
Series 801	9-200		10-202		17-206	
Series 805	11-200		12-202		19-206	
Contact Size	#16	#23	#16	#23	#16	#23
No. of Contacts	2	4	2	8	4	58

SIZE 12 AND 23 COMBINATION CONTACT ARRANGEMENTS

Inert Arrangement
Mating Face View of Pin Contacts

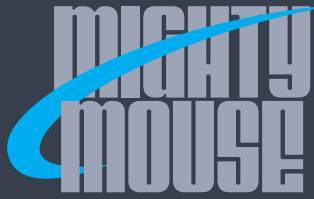


PCB Footprint



Series 800, 802, 803, 804	10-200		10-201		12-200		12-201	
Series 801	10-200		10-201		13-200		13-201	
Series 805	12-200		12-201		15-200		15-201	
Contact Size	#12	#23	#12	#23	#12	#23	#12	#23
No. of Contacts	1	12	2	4	2	6	2	10

General Information and Reference



SERIES 80

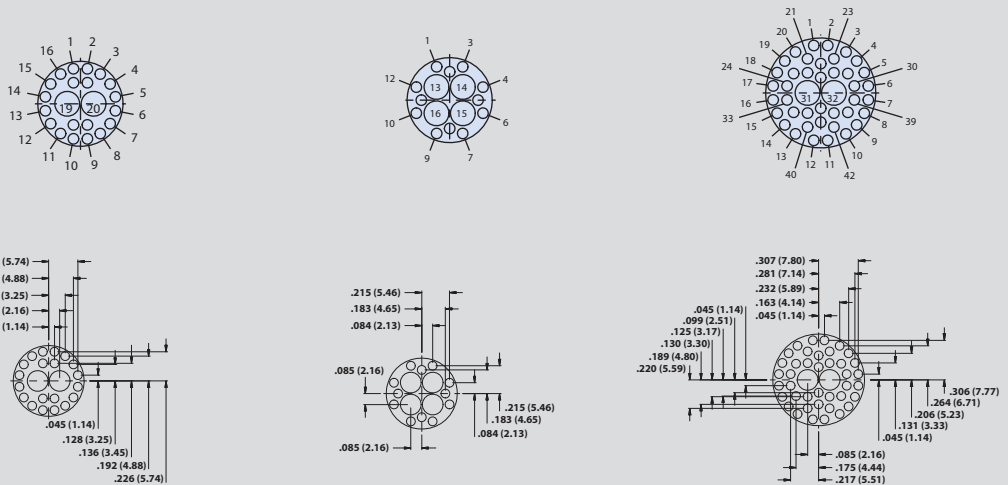
Mighty Mouse Connectors and Cables



Size 16/23, 12/23, and 8/23 Combo Contact Layouts and PCB Footprints; Tested at 1300 VAC

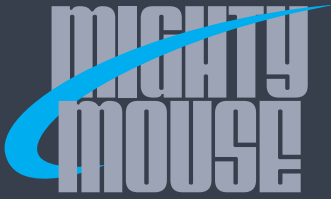
Contact Size, Quantity and Specifications						Contact Arrangement					
#23	#16	#12	#8	AWG Accepted	Tested Vac	Series 800	Series 801	Series 802	Series 803	Series 804	Series 805
20	2			#22-#28	1300	12-202	13-202	12-202	12-202	12-202	15-202
12	4			#22-#28	1300	12-203	13-203	12-203	12-203	12-203	15-203
40	2			#22-#28	1300	N/A	16-204	14-204	14-204	14-204	18-204
32	4			#22-#28	1300	N/A	16-205	14-205	14-205	14-205	18-205
40	4			#22-#28	1300	N/A	17-203	15-203	N/A	N/A	19-203
58	4			#22-#28	1300	N/A	17-206	15-206	N/A	N/A	19-206
12		2		#22-#28	1300	12-204	13-204	12-204	12-204	12-204	15-204
4		4		#22-#28	1300	12-205	13-205	12-205	12-205	12-205	15-205
34		2		#22-#28	1300	N/A	16-206	14-206	14-206	14-206	18-206
20		4		#22-#28	1300	N/A	16-207	14-207	14-207	14-207	18-207
28		4		#22-#28	1300	N/A	17-204	15-204	N/A	N/A	19-204
18			1	#22-#28	1300	N/A	11-201	11-201	N/A	11-201	13-201
32			1	#22-#28	1300	N/A	16-208	14-208	N/A	14-208	18-208
40			1	#22-#28	1300	N/A	17-205	15-205	N/A	N/A	19-205
44			2	#22-#28	1300	N/A	19-201	19-201	N/A	N/A	21-201
12			4	#22-#28	1300	N/A	19-202	19-202	N/A	N/A	21-202
28			4	#22-#28	1300	N/A	21-200	21-200	N/A	N/A	23-200

SIZE 16 AND 23 COMBO CONTACT ARRANGEMENTS



Series 800, 802, 803, 804	12-202		12-203		14-204 ¹	
Series 801	13-202		13-203		16-204	
Series 805	15-202		15-203		18-204	
Contact Size	#16	#23	#16	#23	#16	#23
No. of Contacts	2	20	4	12	2	40

1. Not available for Series 800 2. Not available for Series 803 or 804



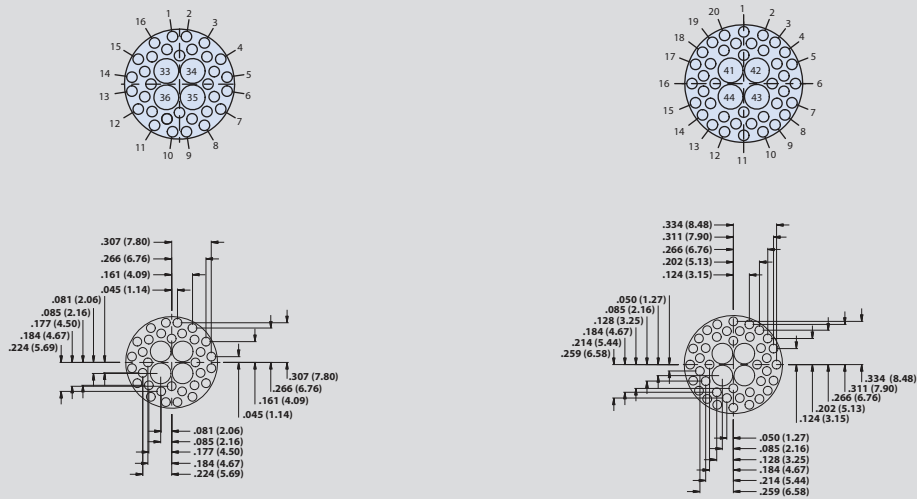
SERIES 80

Mighty Mouse Connectors and Cables



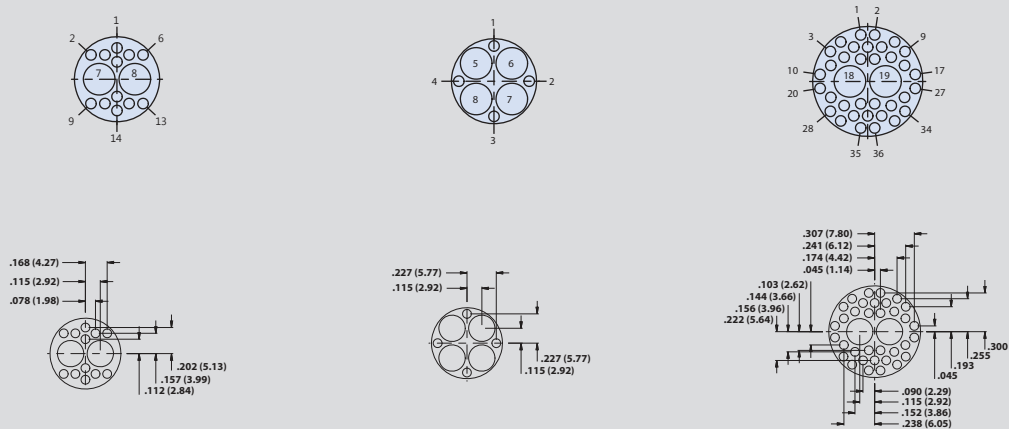
Size 16/23, 12/23, and 8/23 Combo Contact Layouts and PCB Footprints; Tested at 1300 VAC

SIZE 16 AND 23 COMBO CONTACT ARRANGEMENTS



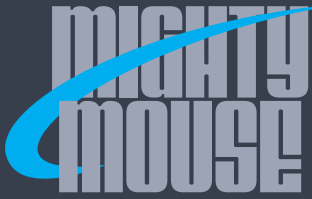
Series 800, 802, 803, 804	14-205 ¹		15-203 ^{1,2}	
Series 801	16-205		17-203	
Series 805	18-205		19-203	
Contact Size	#16	#23	#16	#23
No. of Contacts	4	32	4	40

SIZE 12 AND 23 COMBO CONTACT ARRANGEMENTS



Series 800, 802, 803, 804	12-204		12-205		14-206 ¹	
Series 801	13-204		13-205		16-206	
Series 805	15-204		15-205		18-206	
Contact Size	#12	#23	#12	#23	#12	#23
No. of Contacts	2	12	4	4	2	34

1. Not available for Series 800 2. Not available for Series 803 or 804



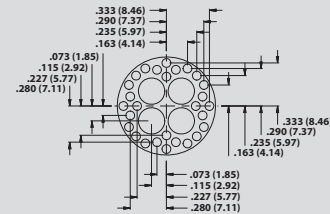
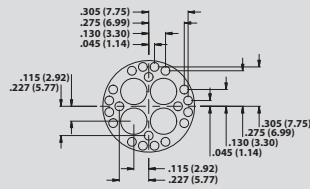
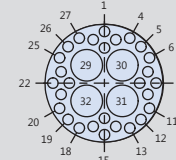
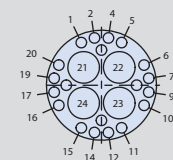
SERIES 80

Mighty Mouse Connectors and Cables



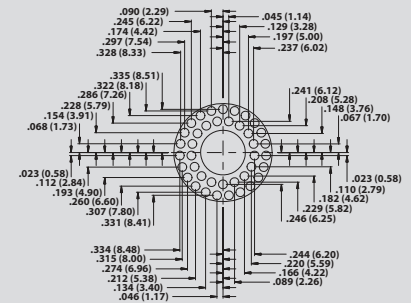
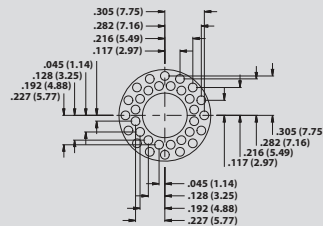
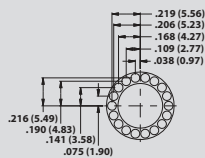
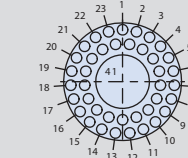
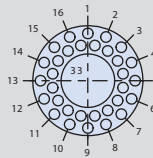
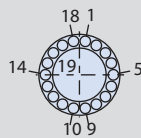
Size 16/23, 12/23, and 8/23 Combo Contact Layouts and PCB Footprints; Tested at 1300 VAC

SIZE 12 AND 23 COMBO CONTACT ARRANGEMENTS



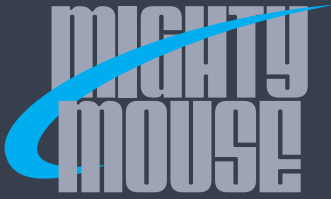
Series 800, 802, 803, 804	14-207 ¹		15-204 ^{1,2}	
Series 801	16-207		17-204	
Series 805	18-207		19-204	
Contact Size	#12	#23	#12	#23
No. of Contacts	4	20	4	20

SIZE 8 AND 23 COMBINATION CONTACT ARRANGEMENTS



Series 800, 802, 803, 804	11-201		14-208 ¹		15-205 ^{1,2}	
Series 801	11-201		16-208		17-205	
Series 805	13-201		18-208		19-205	
Contact Size	#8	#23	#8	#23	#8	#23
No. of Contacts	1	18	1	32	1	40

1. Not available for Series 800 2. Not available for Series 803 or 804



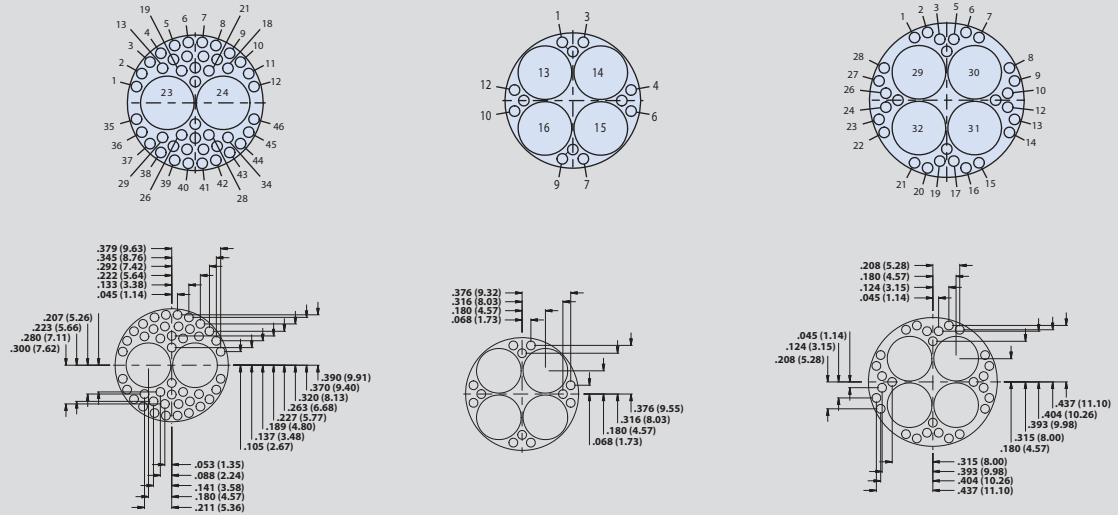
SERIES 80

Mighty Mouse Connectors and Cables



Size 16/23, 12/23, and 8/23 Combo Contact Layouts and PCB Footprints; Tested at 1300 VAC

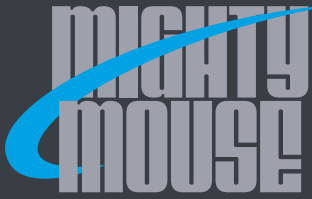
SIZE 8 AND 23 COMBO CONTACT ARRANGEMENTS



Series 800, 802, 803, 804	19-201 ^{1,2}		19-202 ^{1,2}		21-200 ^{1,2}	
Series 801	19-201		19-202		21-200	
Series 805	21-201		21-202		23-200	
Contact Size	#8	#23	#8	#23	#8	#23
No. of Contacts	2	44	4	12	4	28

General Information and Reference

1. Not available for Series 800 2. Not available for Series 803 or 804



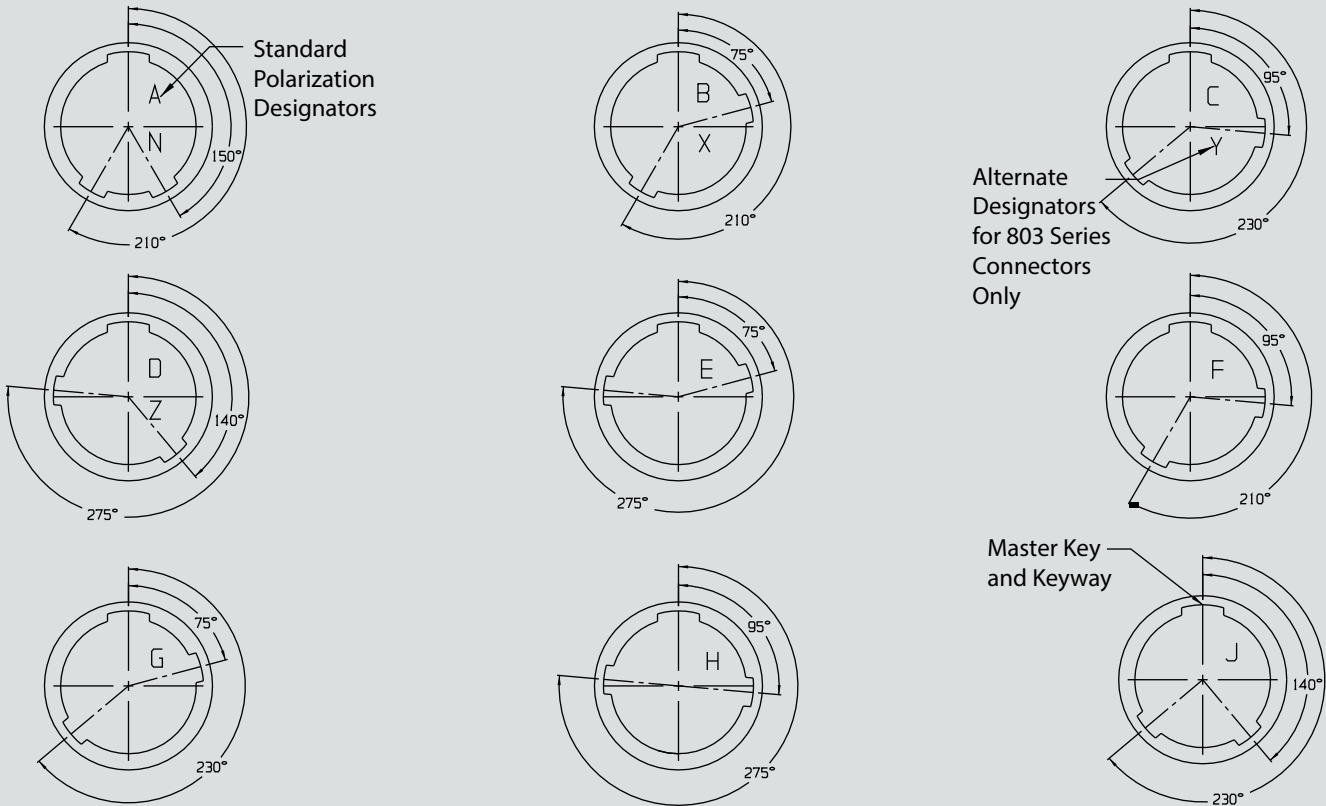
SERIES 80

Mighty Mouse Connectors and Cables



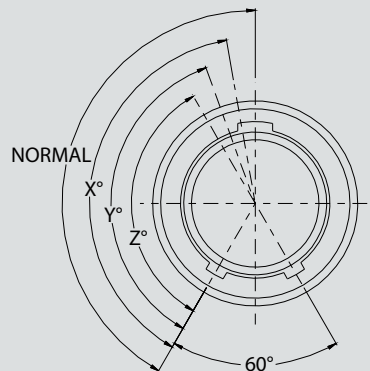
Standard Polarization for all Series 80 Connectors

SERIES 801, 802, 803, 804, 805 STANDARD POLARIZATIONS

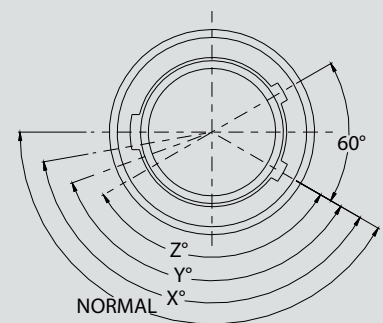


SERIES 800 STANDARD POLARIZATIONS

Shell Size	N	X	Y	Z
5	150°	140°	130°	120°
6				
7				
8				
9				
10				
12				

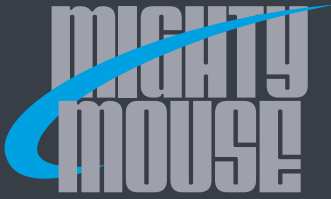


Shell size 5 and 6: master key is located at top dead center for normal (N) position.



Shell size 7 thru 12: master key is rotated 90° from TDC for normal position.

General Information and Reference



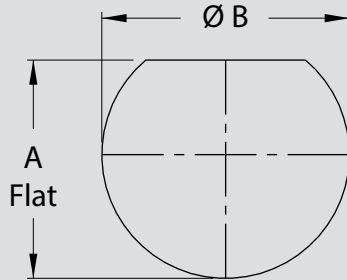
SERIES 80

Mighty Mouse Connectors and Cables



Jam-Nut, Rear Panel Mount, Cutout Dimensions Series 800, 801, and 802

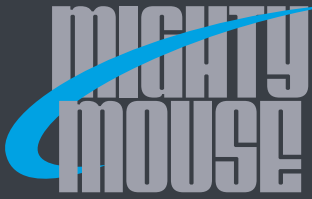
SERIES 800, 801, 802 REAR PANEL MOUNT, JAM-NUT PANEL CUTOUT DIMENSIONS



Rear Panel Mount Connectors

800 Series			801 Series			802 Series		
ShellSize	A Flat	ØB	ShellSize	AFlat	ØB	ShellSize	AFlat	ØB
5	.295 (7.49)	.322 (8.18)	5	.358 (9.09)	.385 (9.78)	5	.475 (12.07)	.510 (12.95)
	.291 (7.39)	.317 (8.05)		.354 (8.99)	.380 (9.65)		.471 (11.96)	.505 (12.83)
6	.362 (9.19)	.385 (9.78)	6	.418 (10.62)	.448 (11.38)	6	.605 (15.37)	.635 (16.13)
	.358 (9.09)	.380 (9.65)		.414 (10.52)	.443 (11.25)		.601 (15.27)	.630 (16.00)
7	.428 (10.87)	.448 (11.38)	7	.544 (13.82)	.572 (14.53)	7	.664 (16.87)	.698 (17.73)
	.424 (10.77)	.443 (11.25)		.540 (13.72)	.567 (14.40)		.660 (16.76)	.693 (17.60)
8	.483 (12.27)	.510 (12.95)	8	.544 (13.82)	.572 (14.53)	8	.737 (18.72)	.760 (19.30)
	.479 (12.17)	.505 (12.83)		.540 (13.72)	.567 (14.40)		.733 (18.62)	.755 (19.18)
9	.540 (13.72)	.572 (14.53)	9	.604 (15.34)	.635 (16.13)	9	.786 (19.96)	.822 (20.88)
	.536 (13.61)	.567 (14.40)		.600 (15.24)	.630 (16.00)		.782 (19.86)	.817 (20.75)
10	.614 (15.60)	.635 (16.13)	10	.668 (16.97)	.698 (17.73)	10	.837 (21.26)	.885 (22.48)
	.610 (15.49)	.630 (16.00)		.664 (16.87)	.693 (17.60)		.833 (21.16)	.880 (22.35)
12	.722 (18.34)	.760 (19.30)	11	.726 (18.44)	.760 (19.30)	12	.901 (22.89)	.948 (24.08)
	.718 (18.24)	.755 (19.18)		.722 (18.34)	.755 (19.18)		.897 (22.78)	.943 (23.95)
14	.856 (21.74)	.885 (22.48)	13	.853 (21.67)	.885 (22.48)	14	1.087 (27.61)	1.135 (28.83)
	.852 (21.64)	.880 (22.35)		.849 (21.56)	.880 (22.35)		1.083 (27.51)	1.130 (28.70)
15	.918 (23.32)	.947 (24.05)	16	1.030 (26.16)	1.072 (27.23)	15	1.157 (29.39)	1.198 (30.43)
	.914 (23.22)	.942 (23.93)		1.026 (26.06)	1.067 (27.10)		1.153 (29.29)	1.193 (30.30)
			17	1.104 (28.04)	1.135 (28.83)			
				1.100 (27.94)	1.130 (28.70)			
			19	1.235 (31.37)	1.260 (32.00)			
				1.231 (31.27)	1.255 (31.88)			
			21	1.355 (34.42)	1.385 (35.18)			
				1.351 (34.32)	1.380 (35.05)			

General Information and Reference



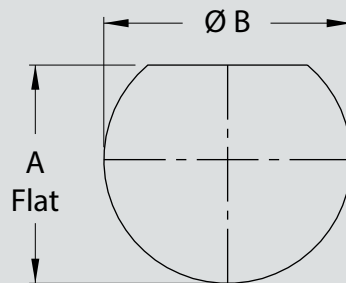
SERIES 80

Mighty Mouse Connectors and Cables



Jam-Nut, Rear Panel Mount, Cutout Dimensions
Series 803, 804, and 805

SERIES 803, 804, 805 REAR PANEL MOUNT JAM-NUT PANEL, CUTOUT DIMENSIONS



Rear Panel Mount Connectors

803 Series			804 Series			805 Series		
Shell Size	A Flat	ØB	Shell Size	A Flat	ØB	Shell Size	A Flat	ØB
5	.357 (9.07)	.385 (9.78)	5	.425 (10.80)	.448 (11.38)	8	.545 (13.84)	.572 (14.53)
	.353 (8.97)	.380 (9.65)		.421 (10.69)	.443 (11.25)		.541 (13.74)	.567 (14.40)
6	.417 (10.59)	.447 (11.35)	6	.480 (12.19)	.510 (12.95)	9	.671 (17.04)	.698 (17.73)
	.413 (10.49)	.442 (11.23)		.476 (12.09)	.505 (12.83)		.667 (16.94)	.693 (17.60)
7	.543 (13.79)	.577 (14.66)	7	.604 (15.34)	.635 (16.13)	10	.671 (17.04)	.698 (17.73)
	.539 (13.69)	.567 (14.40)		.600 (15.24)	.630 (16.00)		.667 (16.94)	.693 (17.60)
8	.603 (15.32)	.635 (16.13)	8	.604 (15.34)	.635 (16.13)	11	.731 (18.57)	.760 (19.30)
	.599 (15.21)	.630 (16.00)		.600 (15.24)	.630 (16.00)		.727 (18.47)	.755 (19.18)
9	.603 (15.32)	.635 (16.13)	9	.665 (16.89)	.698 (17.73)	12	.794 (20.17)	.822 (20.88)
	.599 (15.21)	.630 (16.00)		.661 (16.79)	.693 (17.60)		.790 (20.07)	.817 (20.75)
10	.731 (18.57)	.760 (19.30)	10	.731 (18.57)	.760 (19.30)	13	.853 (21.67)	.885 (22.48)
	.727 (18.47)	.755 (19.18)		.7427 (18.86)	.755 (19.18)		.849 (21.56)	.880 (22.35)
12	.852 (21.64)	.885 (22.48)	12	.853 (21.67)	.885 (22.48)	15	.980 (24.89)	1.3010 (33.05)
	.848 (21.54)	.880 (22.35)		.849 (21.56)	.880 (22.35)		.976 (24.79)	1.005 (25.53)
14	1.032 (26.21)	1.072 (27.23)	14	.978 (24.84)	1.010 (25.65)	18	1.157 (29.39)	1.198 (30.43)
	1.028 (26.11)	1.067 (27.10)		.974 (24.74)	1.005 (25.53)		1.153 (29.29)	1.193 (30.30)
15	1.103 (28.02)	1.135 (28.83)				19	1.231 (31.27)	1.260 (32.00)
	1.099 (27.91)	1.130 (28.70)					1.227 (31.17)	1.255 (31.88)
						21	1.360 (34.54)	1.385 (35.18)
							1.356 (34.44)	1.380 (35.05)
						23	1.480 (37.59)	1.510 (38.35)
							1.476 (37.49)	1.505 (38.23)



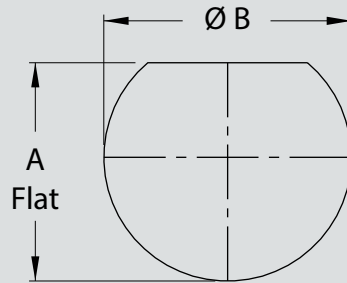
SERIES 80

Mighty Mouse Connectors and Cables



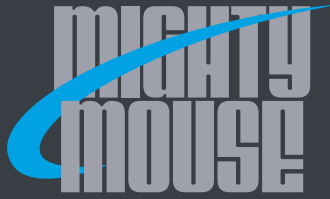
Jam-Nut, Front Panel Mount, Cutout Dimensions
Series 802 and 804

SERIES 802 AND 804 FRONT PANEL MOUNT, JAM-NUT PANEL CUTOUT DIMENSIONS



Front Panel Mount Connectors

802 Series			804 Series		
Shell Size	A Flat	ØB	Shell Size	A Flat	ØB
5	.299 (7.59)	.322 (8.18)	5	.480 (12.19)	.510 (12.95)
	.295 (7.49)	.317 (8.05)		.476 (12.09)	.505 (12.83)
6	.416 (10.57)	.448 (11.38)	6	.540 (13.72)	.572 (14.53)
	.412 (10.46)	.443 (11.25)		.536 (13.61)	.567 (14.40)
7	.479 (12.17)	.510 (12.95)	7	.673 (17.09)	.698 (17.73)
	.475 (12.07)	.505 (12.83)		.669 (16.99)	.693 (17.60)
8	.541 (13.74)	.572 (14.53)	8	.673 (17.09)	.698 (17.73)
	.537 (13.64)	.567 (14.40)		.669 (16.99)	.693 (17.60)
9	.604 (15.34)	.635 (16.13)	9	.725 (18.42)	.760 (19.30)
	.600 (15.24)	.630 (16.00)		.721 (18.31)	.755 (19.18)
10	.660 (16.76)	.698 (17.73)	10	.800 (20.32)	.822 (20.88)
	.656 (16.66)	.693 (17.60)		.796 (20.22)	.817 (20.75)
12	.728 (18.49)	.760 (19.30)	12	.982 (24.94)	1.010 (25.65)
	.724 (18.39)	.755 (19.18)		.978 (24.84)	1.005 (25.53)
14	.903 (22.94)	.948 (24.08)	14	1.032 (26.21)	1.072 (27.23)
	.899 (22.83)	.943 (23.95)		1.028 (26.11)	1.067 (27.10)
15	.965 (24.51)	1.010 (25.65)			
	.961 (24.41)	1.005 (25.53)			



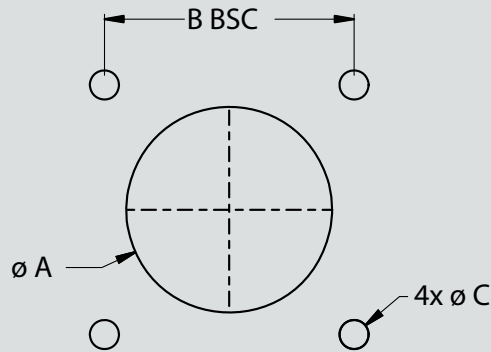
SERIES 80

Mighty Mouse Connectors and Cables



Square Flange Panel Cutout Dimensions

SERIES 800, 801, 802, AND 805 SQUARE FLANGE PANEL CUTOUT DIMENSIONS



Series 800				Series 801				Series 802				Series 805			
Shell Size	Ø A	B BSC	Ø C	Shell Size	Ø A	B BSC	Ø C	Shell Size	Ø A	B BSC	Ø C	Shell Size	Ø A	B BSC	Ø C
5	.328 (8.33)	.363 (9.22)	.098 (2.49) .094 (2.39)	5	.328 (8.33)	.363 (9.22)	.096 (2.44) .091 (2.31)	5	.332 (8.43)	.500 (12.70)	.125 (3.18)	8	.5155 (13.09)	.660 (16.76)	.096 (2.44) .091 (2.31)
6	.390 (9.91)	.423 (10.74)	.098 (2.49) .094 (2.39)	6	.390 (9.91)	.423 (10.74)	.096 (2.44) .091 (2.31)	6	.389 (9.88)	.625 (15.88)	.125 (3.18)	9	.578 (14.68)	4.723 (119.96)	.096 (2.44) .091 (2.31)
7	.453 (11.51)	.483 (12.27)	.132 (3.35) .128 (3.25)	7	.453 (11.51)	.483 (12.27)	.096 (2.44) .091 (2.31)	7	.515 (13.08)	.688 (17.48)	.125 (3.18)	10	.640 (16.26)	.785 (19.94)	.096 (2.44) .091 (2.31)
8	.515 (13.08)	.542 (13.77)	.132 (3.35) .128 (3.25)	8	.515 (13.08)	.545 (13.84)	.096 (2.44) .091 (2.31)	8	.567 (14.40)	.7450 (18.92)	.125 (3.18)	11	.7403 (18.80)	.848 (21.54)	.096 (2.44) .091 (2.31)
9	.578 (14.68)	.719 (18.26)	.132 (3.35) .128 (3.25)	9	.578 (14.68)	.607 (15.42)	.130 (3.30) .126 (3.20)	9	.639 (16.23)	.812 (20.62)	.125 (3.18)	12	.765 (19.43)	.909 (23.09)	.096 (2.44) .091 (2.31)
10	.640 (16.26)	.719 (18.26)	.132 (3.35) .128 (3.25)	10	.640 (16.26)	.670 (17.02)	.130 (3.30) .126 (3.20)	10	.694 (17.63)	.875 (22.23)	.125 (3.18)	13	.828 (21.03)	.973 (24.71)	.096 (2.44) .091 (2.31)
12	.765 (19.43)	.812 (20.62)	.132 (3.35) .128 (3.25)	11	.703 (17.86)	.715 (18.16)	.130 (3.30) .126 (3.20)	12	.770 (19.56)	.938 (23.83)	.125 (3.18)	15	.953 (24.21)	1.058 (26.87)	.130 (3.30) .126 (3.20)
14	.890 (22.61)	.906 (23.01)	.132 (3.35) .128 (3.25)	13	.828 (21.03)	.812 (20.62)	.130 (3.30) .126 (3.20)	14	.9415 (23.91)	1.125 (28.58)	.125 (3.18)	18	1.140 (28.96)	1.255 (31.88)	.130 (3.30) .126 (3.20)
15	.953 (24.21)	.969 (24.61)	.132 (3.35) .128 (3.25)	16	1.015 (25.78)	.981 (24.92)	.130 (3.30) .126 (3.20)	15	1.020 (25.91)	1.188 (30.18)	.125 (3.18)	19	1.203 (30.56)	1.327 (33.71)	.130 (3.30) .126 (3.20)
				17	1.078 (27.38)	1.060 (26.92)	.130 (3.30) .126 (3.20)					21	1.328 (33.73)	1.452 (36.88)	.130 (3.30) .126 (3.20)
				19	1.203 (30.56)	1.191 (30.25)	.130 (3.30) .126 (3.20)					23	1.453 (36.91)	1.570 (39.88)	.130 (3.30) .126 (3.20)
				21	1.328 (33.73)	1.322 (33.58)	.130 (3.30) .126 (3.20)								

General Information and Reference



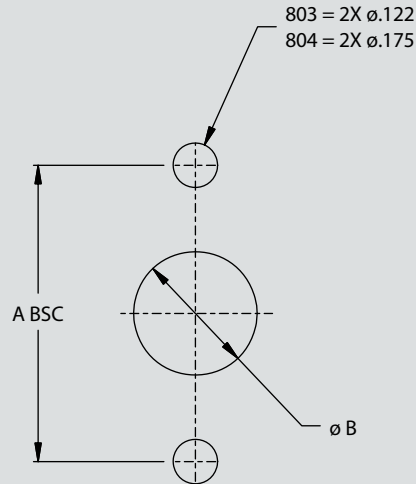
SERIES 80

Mighty Mouse Connectors and Cables

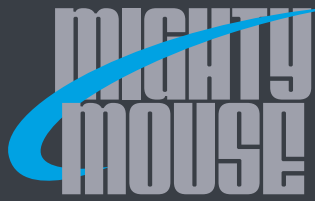


Two-Hole Flange Mount Panel Cutout Dimensions
Series 803 and 804

SERIES 803 AND 804 TWO-HOLE FLANGE MOUNT PANEL CUTOUT DIMENSIONS



803 Series			804 Series		
Shell Size	A BSC	ØB	Shell Size	A BSC	ØB
5	.513 (13.03)	.382 (9.70)	5	.755 (19.18)	.335 (8.51)
6	.598 (15.19)	.445 (11.30)	6	.820 (20.83)	.404 (10.26)
7	.708 (17.98)	.520 (13.21)	7	.885 (22.48)	.467 (11.86)
8	.964 (24.49)	.592 (15.04)	8	.930 (23.62)	.512 (13.00)
9	1.017 (25.83)	.645 (16.38)	9	.990 (25.15)	.570 (14.48)
10	1.101 (27.97)	.726 (18.44)	10	1.060 (26.92)	.644 (16.36)
12	1.204 (30.58)	.832 (21.13)	12	1.185 (30.10)	.765 (19.43)
14	1.280 (32.51)	.950 (24.13)	14	1.300 (33.02)	.882 (22.40)
15	1.370 (34.80)	1.010 (25.65)			



SERIES 80

Mighty Mouse Connectors and Cables



Recommended Torque and Demate Values

SERIES 800 THRU 805 RECOMMENDED TORQUE VALUES

Series 800 Recommended Torque Values						
Series 800	Coupling Torque		Jam-nut Tightening		Backshell Tightening	
	In-lbs.		In-lbs.		In-lbs.	
	Min.	Max.	Min.	Max.	Min.	Max.
5	16	20	20	25	12	16
6	18	22	20	25	14	18
7	20	24	20	25	16	20
8	20	24	20	25	16	20
9	20	24	25	30	16	20
10	20	24	25	30	16	20
12	20	24	25	30	16	20

Series 801, 802, 803, 804, 805 Recommended Torque Values							
Shell Size Series 801, 802, 803, 804	Shell Size Series 805	Coupling Torque		Jam-nut Tightening		Backshell Tightening	
		In-lbs.		In-lbs.		In-lbs.	
		Min.	Max.	Min.	Max.	Min.	Max.
5	-	16	20	20	25	12	16
6	8	18	22	20	25	14	18
7	9	20	24	20	25	16	20
8	10	22	26	20	25	18	22
9	11	24	28	20	25	20	24
10 & 11	12 & 13	26	30	25	30	22	26
12 & 13	15	32	36	25	30	28	32
14 & 16	18	38	42	25	30	28	32
15 & 17	19 & 21	40	44	25	30	28	32
19 & 21	23	48	52	25	30	28	32

Series 804 Recommended Mate/Demate Values	
Shell Size/Insert Arrangement	In-lbs.
5-3	11
6-4	11
6-7	12
7-10	12
8-13	13
9-19	14
10-26	16
12-37	18



SERIES 80

Mighty Mouse Connectors and Cables



Screening/Outgassing for Space Applications



Series 80 Connectors for Space Flight

The small size and reduced weight of the Series 80 connector make it an excellent choice for space instrumentation. Series 80 connectors are available with special screening and outgassing for satellites and space vehicles. This section explains NASA guidelines for connector selection, screening, and outgassing. This section also explains how to order connectors screened to meet NASA EEE-INST-002.

How To Order Space Grade Series 80 Connectors

Step 1: Find a Standard Part Number

Electroless nickel plated shells are preferred for space flight.
Cadmium plating is prohibited.

Step 2: Select a NASA Screening Level

The term "Screening Level" refers to the final inspection procedure.

Level 1 for mission-critical highest reliability

Level 2 for high reliability

Level 3 for standard reliability

Step 3: Choose Outgassing

An explanation of outgassing effects and methods is provided on the following pages. Fluorosilicone rubber seals commonly used on aerospace-grade connectors such as MIL-DTL-38999 and Series 80 connectors, along with certain bonding agents and inks, do not meet NASA outgassing requirements without additional processing. Glenair outgassing tests have shown oven baking or thermal vacuum outgas processing reduce outgassing levels to NASA standards. Oven baking is more economical than thermal vacuum outgassing.

Step 4: Select the Mod Code that Matches the Desired Level of Screening and Outgassing

Use the table below to choose the right modification code. Add the mod code to the connector part number. Example: 801-007-16M6-7PA-**429J** will produce a connector that has undergone special inspection per NASA EEE-INST-002 and outgassed for 48 hours at 175° C.

NASA Screening and Outgassing Modification Codes

NASA Screening Level	Special Screening Only	Special Inspection and Outgassing	
		Oven Bakeout	Thermal Vacuum Outgassing
Level 1 Highest Reliability	Mod 429B	Mod 429J 48 Hours at 175°C	Mod 429C 24 Hours at 125°C
Level 2 High Reliability	Mod 429	Mod 429K 48 Hours at 175°C	Mod 429A 24 Hours at 125°C
Level 3 Standard Reliability	(Use standard part number)	Mod 186S 48 Hours at 125°C	Mod 186M 24 Hours at 125°C

Five things you should know about Series 80 connectors for space flight

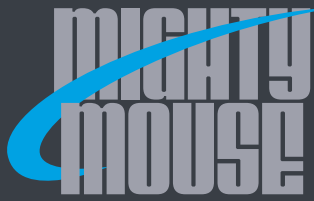
1 Material Selection: What materials are approved for space-grade connectors? What materials are prohibited? Does the Series 80 connector contain space-approved materials?

2 Outgassing: What is outgassing, why is it important, and how does it affect connector selection? Is special processing required to meet outgassing requirements?

3 Screening: What is NASA screening and what level of screening is required?

4 Magnetic permeability: Are nonmagnetic connectors required?

5 Cryogenic exposure: Are these connectors suitable for -200° C exposure?



Series 80 Connectors for Space Flight

1 Material Selection: *What materials are approved for space flight? What materials are restricted? How to choose the right materials for Series 80 connectors.*

What materials are approved for space flight?

Section C2 "Connectors and Contacts" of NASA EEE-INST-002 provides guidelines for materials used in connectors for space flight applications. Aluminum is a preferred material for connector components, and electroless nickel is the preferred finish. Beryllium copper is a preferred material for contacts. 50 microinch minimum gold plating is the preferred contact finish. LCP is a preferred material for dielectric insulating materials.

What materials are prohibited?

100% tin plating shall not be used. Pure tin can grow "whiskers" which can lead to catastrophic electrical short circuits. Silver plating is prohibited because of corrosion concerns. Cadmium is prohibited because it is unstable in vacuum environments.

Specifying Series 80 connectors for space flight

Standard Series 80 connectors meet NASA guidelines for material selection. Specify "M" for aluminum shells with electroless nickel finish. The table below lists the Series 80 materials.

2 Outgassing: *What is outgassing and how does it affect connector selection? Is special processing required to meet outgassing requirements?*

What is outgassing?

Plastic and rubber materials give off gaseous molecules. For example, the smell inside a new car is caused by polymer outgassing. Heat and vacuum increase the rate of diffusion. In a spacecraft the gases coming off polymers can contaminate optical surfaces and instruments. The result is degraded performance.

How is outgassing measured?

The space industry has adopted a standardized test procedure, [ASTM E 595](#), to evaluate outgassing properties of polymers. Small samples of material are heated to 125° C at a vacuum of 5×10^{-5} torr for 24 hours.

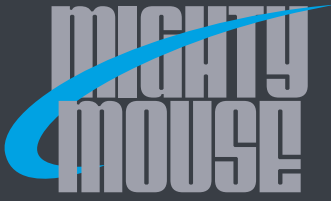
Then the sample is weighed to calculate the **Total Mass Loss** (TML). The TML cannot exceed 1.00% of the total initial mass. During the test, outgassed matter condenses on a cooled collector plate. The quantity of outgassed matter is calculated to determine the **Collected Volatile Condensable Material** (CVCM). The CVCM cannot exceed 0.10% of the original specimen mass.

Is special outgassing processing necessary on Series 80 connectors?

NASA states "A bakeout for outgassing control is driven by the application and may be required where tight contamination control must be maintained." NASA generally recommends that military circular connectors undergo outgassing processing. This processing can be performed by Glenair; however, some customers prefer to fabricate higher level subassemblies before outgassing processing.

Outgassing At-a-Glance

- 1 Fluorosilicone rubber components and encapsulants exceed NASA outgassing limits.
- 2 NASA recommends outgassing processing to reduce outgassing to acceptable levels.
- 3 An inexpensive oven bakeout has better results than the more costly thermal vacuum outgassing. The higher temperature of the oven bakeout is more effective at removing volatile materials. However, both methods assure compliance with outgassing limits.
- 4 Glenair Mod 429 codes provide an easy ordering solution, whatever the outgassing option.



SERIES 80

Mighty Mouse Connectors and Cables



Screening/Outgassing for Space Applications

3 Screening: What is NASA screening and what level of screening is required?

What is NASA screening?

NASA specification EEE-INST-002 provides instructions on selecting, screening and qualifying parts for use on NASA GSFC space flight projects. Table 2A in the NASA specification contains inspection instructions for circular connectors including MIL-DTL-38999. Series 80 connectors are not mentioned in the NASA spec but are similar to D38999 connectors, so Table 2A applies by similarity to Series 80 connectors.

What screening level is required?

NASA defines three levels of screening: level 1 for highest reliability, level 2 for high reliability, and level 3 for standard reliability. Level 3 equates to standard lot acceptance inspection. Levels 1 and 2 call for additional testing.

What about qualification requirements?

Projects using connectors covered by military specifications are typically able to waive qualification testing. The Series 80 connector has been rigorously tested by Glenair but is not covered by a military specification. Projects considering using the Series 80 for space flight should obtain guidance from the overseeing space agency regarding the suitability of existing Glenair Series 80 test data, available on request.

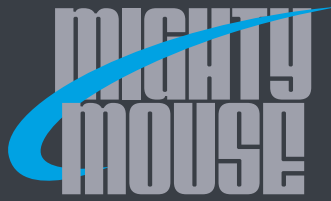
NASA EEE-INST-002 Screening Requirements		
Inspection/ Test	NASA Level 1	NASA Level 2
Visual Inspection	100%	100%
Mechanical	2 pcs.	2 pcs.
Voltage (DWV)	2 pcs.	2 pcs.
Insulation Resistance	2 pcs.	2 pcs.
Contact Engagement and Separation Force (socket contacts)	2 pcs.	N/A
Coupling Force	2 pcs.	N/A
Air leakage (Hermetic connectors only)	100%	100%
Solderability/Resistance to Soldering Heat	2 pcs.	N/A
1. NASA screening requirements from Table 2A of EEE-INST-002 "Screening Requirements for Circular Connectors..."		

4 Magnetic permeability: Are nonmagnetic connectors required?

Spacecraft designers generally avoid the use of ferromagnetic materials, which can become magnetized and can interfere with sensitive instruments. Series 80 aluminum shell connectors have a maximum permeability of 2 mu. Hermetic Series 80 connector pins are iron alloy, a highly magnetic material.

5 Cryogenic exposure: Space programs sometimes need cryogenic connectors capable of withstanding temperatures as low as -270° C. Can Series 80 connectors operate satisfactorily at this temperature?

Series 80 connectors are rated to -65° C. Glenair does not have data to validate these connectors for cryogenic applications. EEE-INST-002 states "...experience has proven it is possible for (non-certified) connector types to be used successfully at cryogenic temperatures. It is recommended that connector samples should be subjected to five cycles of cryogenic temperature... (followed by examination for cracks and DWV)".



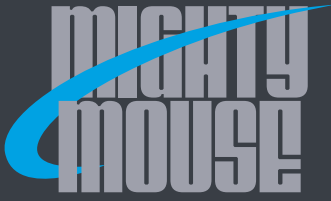
SERIES 80

Mighty Mouse Connectors and Cables



Screening/Outgassing for Space Applications

Outgassing Properties of Materials used in Series 80 connectors				
Component	Material	TML %	TCVML %	Test Reference
Front and Rear Insulator	LCP	0.07	0.0	Glenair test at Pacific Testing Laboratories 07-25-2017
Rear Grommet Interfacial Seal Peripheral Seal	Blended flourosilicone/silicone elastomer, 30% silicone per ZZ-R-765, 70% flourosilicone per MIL-R-25988	0.48	0.14	Glenair testing conducted at NuSil Technology 02/27/2001
Front-To-Rear Insulator Bonding Material	Eccobond 104 A/B	0.52	0.08	Emerson & Cuming Data Sheet
Insulator-to-Rubber Bonding Material	DC3145 RTV, per MIL-A-46146	2.52	0.58	NASA Test GSC28621
Coupling Nut Retainer	Torlon® 4203L	1.88	0.01	Glenair Test at NuSil Technology 03-12-2003
Coupling Nut Epoxy	Hysol C9-4215	0.48	0.01	Glenair Test
O-Ring	Flourosilicone Rubber	0.32	0.03	NASA Test GSFC8687
White Epoxy Ink for Silkscreening	Markem 7224 White	0.49	0.03	NASA Test #GSC19899
Black Ink for Part Number Identification	Videojet #16-5600Q	TBD	TBD	
Potting Compound, Solder Cup and PC Tail Connectors	Hysol C9-4215	0.48	0.01	Glenair Test
Potting Compound, Solder Cup and PC Tail Connectors	DC3145 RTV, per MIL-A-46146	2.52	0.58	NASA Test GSC28621
Potting Compound, Filter Receptacles	Stycast epoxy, 2850FT/Catalyst 11	0.29	0.02	Mfgr Data Sheet



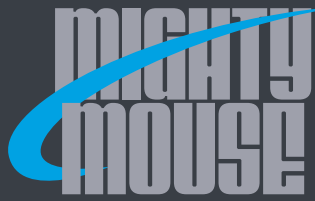
SERIES 80

Mighty Mouse Connectors and Cables



Approved Materials for Space Flight

Series 80 Connector Materials Approved For Space Flight		
Component	Material	Notes
Shells, Coupling Nuts, Jam-nuts	Aluminum alloy 6061 T6, electroless nickel plated. Aluminum alloy 7075 also available	Approved for Space Flight
Rigid Insulators	High grade rigid dielectric	Approved for Space Flight
Contact Retention Clip	Beryllium copper, heat-treated, unplated	Approved for Space Flight
Grommet, Peripheral Seal, Interfacial Seal, O-ring	Blended fluorosilicone/silicone elastomer, 30% silicone per ZZ-R-765, 70% fluorosilicone per MIL-R-25988	Requires outgassing processing
Hermetic Insert	Vitreous glass	Approved for Space Flight
Pin Contact	Beryllium copper alloy per ASTM B197, 50 microinches gold plated per ASTM B488 Type II Code C Class 1.25 over nickel plate per QQ-N-290 Class 2,	Approved for Space Flight
Pin Contact, Hermetic	Nickel-iron alloy per ASTM F30 (Alloy 52),50 microinches gold plated per ASTM B488 Type II Code C Class 1.25 over nickel plate per QQ-N-290 Class 2,	Ferromagnetic material.
Socket Contact	Beryllium copper alloy per ASTM B197, 50 microinches gold plated per ASTM B488 Type II Code C Class 1.25 over nickel plate per QQ-N-290 Class 2,	Approved for Space Flight
Socket Contact Hood	Stainless steel, passivated per AMS-QQ-P-35	Approved for Space Flight
Adhesives	RTV and epoxies (see following table for outgassing info)	Requires outgassing processing
Potting Compound, PCB and Solder Cup Versions	Environmental and Hermetic Connectors: Stycast 2651/Catalyst 9 epoxy encapsulant. Filter Connectors: Stycast 2850FT/Catalyst 11 thermally conductive epoxy encapsulant.	Approved for Space Flight
Filter Element	Multilayer Ceramic Planar Array, ferrite inductors	Approved for Space Flight



SERIES 80

Mighty Mouse Connectors and Cables



Modification Codes and Material/Finish Codes

Series 80 Modification Codes			
Modification Code	Description	Application Notes	Part Number Example
MOD-186	Thermal vacuum out gas entire assembly for 24 hours at 125° C, 10 ⁻⁶ Torr.	Intended for space flight applications. See Guidelines for Space-Grade Applications.	800-006-06M5-3SN- 186
MOD-429	Special inspection per NASA EEE-INST-002, Table 2A (QCD-8144). Does not include thermal vacuum outgass.	Use this mod code on all Series 80 connectors. See Guidelines for Space-Grade Applications.	801-010-02M13-37PB- 429J
MOD-489	Solder dip PC tails in 63/37 tin-lead	For use with all connectors with PC tail contacts.	801-011-02M7-10PA- 489
MOD-501	Replace spanner-style jam-nut w/hex-style jam-nut w/ safety wire holes	Use this mod code on all Series 80 rear panel mount jam-nut connectors (style 07).	800-010-07M6-4SN- 501
MOD-518	Waterblock sealing of printed circuit board and solder cup receptacles. Sealing meets 10 ⁻⁴ cc/second maximum helium leak rate at 15 PSI pressure differential following three cycles of thermal shock.	For use on all panel mount receptacles with printed circuit board or solder cup contacts.	801-011-07M9-19SA- 518

Standard Material and Finish Codes							
Code	Material	Finish	Finish Specification	Hrs. Salt Spray	Electrical Conductivity	Operating Temp. Range	RoHS Finish
AB	Marine Bronze	Unplated		1000	Conductive	-65 to +200°C	✓
AL	Aluminum	AlumiPlate	MIL-DTL-83488	1000	Conductive	-65 to +175°C	✓
C	Aluminum	Anodize, Black	AMS-A-8625	48	Non-Conductive	-65 to +175°C	✓
E	Aluminum	Chem Film	MIL-DTL-5541	168	Conductive	-65 to +175°C	
G2	Aluminum	Anodize, Hardcoat	AMS-A-8625	336	Non-Conductive	-65 to +200°C	✓
JF	Aluminum	Cadmium, Gold	SAE-AMS-QQ-P-416	1000	Conductive	-65 to +175°C	
LF	Aluminum	Cadmium, Clear	SAE-AMS-QQ-P-416	1000	Conductive	-65 to +175°C	
M	Aluminum	Electroless Nickel	AMS-C-26074	48	Conductive	-65 to +200°C	✓
ME	Aluminum	Electroless Nickel	AMS-C-26074	48	Conductive	-65 to +200°C	✓
MT	Aluminum	Nickel-PTFE	AMS2454	500	Conductive	-65 to +175°C	✓
NC	Aluminum	Zinc-Cobalt, Olive Drab	ASTM B 840	350	Conductive	-65 to +175°C	
NF	Aluminum	Cadmium, Olive Drab	SAE-AMS-QQ-P-416	500	Conductive	-65 to +175°C	
P	Stainless Steel	Electrodeposited Nickel	SAE-AMS-QQ-N-290	500	Conductive	-65 to +200°C	✓
TZ	Aluminum	Tin-Zinc, Green-Gold	AMS 2434, Type 2	500	Conductive	-65 to +175°C	✓
UC	Aluminum	Zinc-Cobalt, Black	ASTM B 840	350	Conductive	-65 to +175°C	
UCR	Aluminum	Zinc-Cobalt, Black (RoHS)	ASTM B 840	350	Conductive	-65 to +175°C	✓
Z1	Stainless Steel	Passivate	SAE-AMS-QQ-P-35	1000	Conductive	-65 to +200°C	✓
Z2	Aluminum	Gold	MIL-DTL-45204	48	Conductive	-65 to +200°C	✓
ZC	Stainless Steel	Zinc-Cobalt, Black	ASTM-B840		Conductive	-65 to +175°C	
ZCR	Stainless Steel	Zinc-Cobalt, Black (RoHS)	ASTM-B840		Conductive	-65 to +175°C	✓
ZL	Stainless Steel	Electrodeposited Nickel	SAE-AMS-QQ-N-290	1000	Conductive	-65 to +200°C	✓
ZM	Stainless Steel	Electroless Nickel	AMS-C-26074		Conductive	-65 to +200°C	✓
ZMT	Stainless Steel	Nickel-PTFE	AMS2454	1000	Conductive	-65 to +175°C	✓
ZN	Aluminum	Zinc-Nickel, Olive Drab	ASTM B841	500	Conductive	-65 to +175°C	
ZNU	Aluminum	Zinc-Nickel, Black	ASTM B841	500	Conductive	-65 to +175°C	✓
ZR	Aluminum	Zinc-Nickel, Black	ASTM B841	500	Conductive	-65 to +175°C	✓
ZU	Stainless Steel	Cadmium, Black	SAE-AMS-QQ-P-416	1000	Conductive	-65 to +175°C	
ZW	Stainless Steel	Cadmium, Olive Drab	SAE-AMS-QQ-P-416	2000	Conductive	-65 to +175°C	

General Information and Reference



SERIES 80

Mighty Mouse Connectors and Cables



Performance Test Report IAW MIL-DTL-810

1 SCOPE

- 1.1 **Scope.** This specification covers performance requirements for Glenair Series 80 Mighty Mouse miniature environment resistant circular connectors.
- 1.2 **Description.** Series 80 connectors with crimp, rear-release or non-removable printed circuit board contacts, environmental sealing, aluminum and corrosion resistant steel, threaded, bayonet and quick-disconnect coupling. Series 80 connectors with M39029 type contacts are intended for applications where standard MS circular connectors may be too large or too heavy. Interfacial seal and rear grommet provide environmental protection. Beryllium copper contact retention clips. Integral shield termination platform provides direct termination of cable shield to connector without the need for adapters.

Series 800	Threaded coupling, UNF fine threads, shell sizes 5 through 12
Series 801	Double-start stub ACME threaded coupling, shell sizes 5 through 21
Series 802	Threaded coupling, severe environment, dynamic o-ring seal, 316L stainless steel, shell sizes 5 through 21. Rated for continuous immersion at up to 3500 PSI.
Series 803	Bayonet coupling, light to medium duty, shell sizes 5 through 14.
Series 804	Quick-disconnect, shell sizes 5 through 15.
Series 805	Triple-start stub ACME threaded coupling, EMI spring, ratchet anti de-coupling mechanism, shell sizes 8 through 23.

2 APPLICABLE DOCUMENTS

2.1 Industrial Standards.

IAW MIL-DTL-810 or EIA-364 Electrical Connector/Socket Test Procedures Including Environmental Classifications

IEC-60512	Electromechanical Components for Electronic Equipment; Basic Testing Procedures and Measuring Methods Part 1: General
IEC-60529	Degrees of protection Provided By Enclosures (IP Code)
IEC 60068	Environmental Testing Part 1: General and Guidance

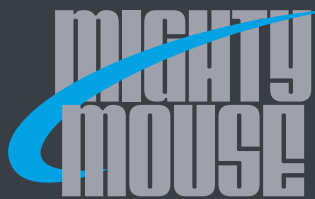
2.2 Military Standards and Specifications

MIL-STD-810	Test Method Standard for Environmental Engineering Considerations and Laboratory Tests
MIL-DTL-38999	Connectors, Electrical, Circular, Miniature, High Density, Quick Disconnect (Bayonet, Threaded, AND breech Coupling), Environment Resistant, Removable Crimp and Hermetic Solder Contacts, General Specification For

2.3 Aerospace Standards

SAE AS39029	Contacts, Electrical Connector, General Specification For
-------------	---

General Information and Reference



SERIES 80

Mighty Mouse Connectors and Cables



Performance Test Report IAW MIL-DTL-810

3 REQUIREMENTS

3.1 Materials

COMPONENT	MATERIALS AND FINISHES
Shell, Barrel, Jam-nut and Coupling Nut	Aluminum Alloy 6061-T6 Code C: black anodize per MIL-A-8625 Code M: electroless nickel per ASTM B-733 Code MT: Nickel fluorocarbon polymer Code NF: Olive drab cadmium per SAE-AMS-QQ-P-416 over electroless nickel Code ZNU: Black zinc nickel over electroless nickel
Shell, Barrel Coupling and Jam-nut	Stainless steel per AMS-QQ-S-763, passivated per SAE-AMS-QQ-P-35
Insulators	High Grade Rigid Dielectric
Contact Retention Clip	Beryllium copper, heat-treated, unplated
Grommet, Peripheral Seal and Interfacial Seal	High performance silicone/fluorosilicone elastomer
Contacts	Copper alloy, 50 microinches gold plated per MIL-DTL-45204 over nickel underplating
Socket Contact Hood	Stainless steel, passivated per AMS-QQ-P-35
Adhesives	Silicone and epoxy
Potting Compound, PCB and Solder Cup Versions	Environmental Connectors: epoxy Waterblocked connectors (Glenair modification code 518): RTV silicone

3.2 Performance requirements.

DESCRIPTION	REQUIREMENT	PROCEDURE																																	
Contact resistance, copper alloy contacts	SAE AS39029 Table 5	EIA-364-06 IEC 60512-2-1 Test current in Amperes. Voltage drop in millivolts. Silver-coated copper wire, +25°C.																																	
	<table border="1"> <thead> <tr> <th>Wire Size</th> <th>Test Current</th> <th>Max Voltage Drop</th> </tr> </thead> <tbody> <tr><td>8</td><td>46</td><td>26</td></tr> <tr><td>10</td><td>33</td><td>33</td></tr> <tr><td>12</td><td>23</td><td>42</td></tr> <tr><td>14</td><td>17</td><td>40</td></tr> <tr><td>16</td><td>13</td><td>49</td></tr> <tr><td>20</td><td>7.5</td><td>55</td></tr> <tr><td>22</td><td>5</td><td>73</td></tr> <tr><td>24</td><td>3</td><td>45</td></tr> <tr><td>26</td><td>2</td><td>52</td></tr> <tr><td>28</td><td>1.5</td><td>54</td></tr> </tbody> </table>		Wire Size	Test Current	Max Voltage Drop	8	46	26	10	33	33	12	23	42	14	17	40	16	13	49	20	7.5	55	22	5	73	24	3	45	26	2	52	28	1.5	54
	Wire Size		Test Current	Max Voltage Drop																															
	8		46	26																															
	10		33	33																															
	12		23	42																															
	14		17	40																															
	16		13	49																															
	20		7.5	55																															
	22		5	73																															
24	3	45																																	
26	2	52																																	
28	1.5	54																																	
Low level contact resistance	SAE AS39029 Table 4	EIA-364-23 25° C																																	
	<table border="1"> <thead> <tr> <th>Wire Size</th> <th>Max. Milliohms</th> </tr> </thead> <tbody> <tr><td>16</td><td>5</td></tr> <tr><td>20</td><td>9</td></tr> <tr><td>22</td><td>15</td></tr> <tr><td>24</td><td>20</td></tr> <tr><td>26</td><td>31</td></tr> <tr><td>28</td><td>50</td></tr> </tbody> </table>		Wire Size	Max. Milliohms	16	5	20	9	22	15	24	20	26	31	28	50																			
	Wire Size		Max. Milliohms																																
	16		5																																
	20		9																																
	22		15																																
	24		20																																
26	31																																		
28	50																																		

General Information and Reference



SERIES 80

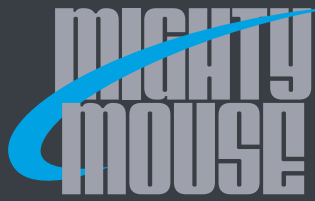
Mighty Mouse Connectors and Cables



Performance Test Report IAW MIL-DTL-810

DESCRIPTION	REQUIREMENT	PROCEDURE												
Insulation resistance	5000 megohms minimum	EIA-364-21 IEC-60512-3-1 500 volts DC ± 50 volts. Test between adjacent contacts and contacts to shell.												
Dielectric withstanding voltage, sea level (See 809-099 for combo insert test voltages)	No breakdown or flashover #23 contacts 750 volts #20HD contacts 1000 volts #16 contacts 1800 volts #12 contacts 1800 volts	EIA-364-20 IEC-60512-4-1 AC rms 60 Hz. 2 Sec min. dwell. Unmated or mated												
Dielectric withstanding voltage, 40,000 feet altitude (See 809-099 for combo insert test voltages)	No breakdown or flashover #23 contacts 400 volts #20HD contacts 400 volts #16 contacts 1000 volts #12 contacts 1000 volts	EIA-364-20 IEC-60512-4-1 AC rms 60 Hz. 2 Sec min. dwell. mated condition												
Current carrying capacity	<table border="1"> <thead> <tr> <th>Contact Size</th> <th>Current (Amps)</th> </tr> </thead> <tbody> <tr> <td>12</td> <td>23</td> </tr> <tr> <td>16</td> <td>13</td> </tr> <tr> <td>20</td> <td>7.5</td> </tr> <tr> <td>23</td> <td>5</td> </tr> </tbody> </table>	Contact Size	Current (Amps)	12	23	16	13	20	7.5	23	5	EIA-364-70 Method 1 IEC-60512-5 Test 9b		
Contact Size	Current (Amps)													
12	23													
16	13													
20	7.5													
23	5													
Shell-to-shell conductivity, Initial	The maximum voltage drop across a mated pair shall not exceed the values shown. <table border="1"> <thead> <tr> <th>Series</th> <th>Voltage Drop (mV)</th> </tr> </thead> <tbody> <tr> <td>800</td> <td>5</td> </tr> <tr> <td>801</td> <td>5</td> </tr> <tr> <td>802</td> <td>5</td> </tr> <tr> <td>804</td> <td>2.5</td> </tr> <tr> <td>805</td> <td>2.5</td> </tr> </tbody> </table>	Series	Voltage Drop (mV)	800	5	801	5	802	5	804	2.5	805	2.5	EIA-364-83 IEC-60512-2-6 Electroless nickel plated connectors.
Series	Voltage Drop (mV)													
800	5													
801	5													
802	5													
804	2.5													
805	2.5													
Shell-to-shell conductivity, after conditioning (48 hours salt spray)	The maximum voltage drop across a mated pair shall not exceed the values shown. <table border="1"> <thead> <tr> <th>Series</th> <th>Voltage Drop (mV)</th> </tr> </thead> <tbody> <tr> <td>800</td> <td>10</td> </tr> <tr> <td>801</td> <td>10</td> </tr> <tr> <td>802</td> <td>10</td> </tr> <tr> <td>804</td> <td>5</td> </tr> <tr> <td>805</td> <td>5</td> </tr> </tbody> </table>	Series	Voltage Drop (mV)	800	10	801	10	802	10	804	5	805	5	EIA-364-83 IEC-60512-2-6 Electroless nickel plated connectors.
Series	Voltage Drop (mV)													
800	10													
801	10													
802	10													
804	5													
805	5													

General Information and Reference



SERIES 80

Mighty Mouse Connectors and Cables



Performance Test Report IAW MIL-DTL-810

DESCRIPTION	REQUIREMENT	PROCEDURE														
Shielding effectiveness, low frequency (100MHz-1000 MHz)	Series 800, 801, 804, 805	MIL-DTL-38999 para. 4.5.28.1 Electroless nickel plated connectors														
	<table border="1"> <thead> <tr> <th>Frequency</th> <th>Min. dB Attenuation</th> </tr> </thead> <tbody> <tr> <td>100 MHz</td> <td>75</td> </tr> <tr> <td>200 MHz</td> <td>70</td> </tr> <tr> <td>300 MHz</td> <td>65</td> </tr> <tr> <td>400 MHz</td> <td>63</td> </tr> <tr> <td>800 MHz</td> <td>58</td> </tr> <tr> <td>1000 MHz</td> <td>55</td> </tr> </tbody> </table>	Frequency	Min. dB Attenuation	100 MHz	75	200 MHz	70	300 MHz	65	400 MHz	63	800 MHz	58	1000 MHz	55	
	Frequency	Min. dB Attenuation														
	100 MHz	75														
	200 MHz	70														
	300 MHz	65														
	400 MHz	63														
800 MHz	58															
1000 MHz	55															
Shielding effectiveness, high frequency (1Ghz-10GHz)	Series 800, 801, 804	EIA-364-66 IEC-60512-23-3 Electroless nickel plated connectors														
	<table border="1"> <thead> <tr> <th>Frequency</th> <th>Min. dB Attenuation</th> </tr> </thead> <tbody> <tr> <td>1 GHz</td> <td>55</td> </tr> <tr> <td>3 GHz</td> <td>50</td> </tr> <tr> <td>6 GHz</td> <td>45</td> </tr> <tr> <td>10 GHz</td> <td>40</td> </tr> </tbody> </table>	Frequency	Min. dB Attenuation	1 GHz	55	3 GHz	50	6 GHz	45	10 GHz	40					
	Frequency	Min. dB Attenuation														
	1 GHz	55														
	3 GHz	50														
	6 GHz	45														
	10 GHz	40														
Series 805																
<table border="1"> <thead> <tr> <th>Frequency</th> <th>Min. dB Attenuation</th> </tr> </thead> <tbody> <tr> <td>1 GHz</td> <td>85</td> </tr> <tr> <td>3 GHz</td> <td>69</td> </tr> <tr> <td>6 GHz</td> <td>66</td> </tr> <tr> <td>10 GHz</td> <td>65</td> </tr> </tbody> </table>	Frequency	Min. dB Attenuation	1 GHz	85	3 GHz	69	6 GHz	66	10 GHz	65						
Frequency	Min. dB Attenuation															
1 GHz	85															
3 GHz	69															
6 GHz	66															
10 GHz	65															
Vibration, sine Series 800, 801, 803, 804, 805	No discontinuity of greater than 1 microseconds, no cracking, breaking or loosening of parts, plug shall not become disengaged from receptacle.	MIL-DTL-38999 30 g's, 3 axes, 4 hours per axis														
Vibration, random Series 800, 801, 803, 804, 805	No discontinuity of greater than 1 microseconds, no cracking, breaking or loosening of parts, plug shall not become disengaged from receptacle.	EIA-364-28 Test Condition V Letter I IEC-60512-6-4 100 milliamp test current 50- 2,000 Hz 37.80 g rms														
Gunfire vibration Series 800, 801, 803, 804, 805	No discontinuity of greater than 1 microseconds, no cracking, breaking or loosening of parts, plug shall not become disengaged from receptacle.	MIL-STD-810 Method 519														
Mechanical shock Series 800, 801, 803, 804, 805	No discontinuity of greater than 1 microsecond, no cracking, breaking or loosening of parts, plug shall not become disengaged from receptacle.	EIA-364-27 Condition D IEC-60512-6-3 3 shocks X 3 axes X 2 directions = 18 shocks 2941 m/s ² (300 g's), 3 ms, half-sine														



SERIES 80

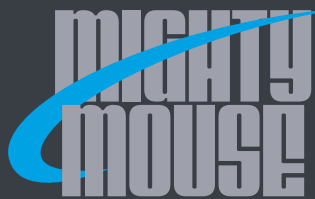
Mighty Mouse Connectors and Cables



Performance Test Report IAW MIL-DTL-810

DESCRIPTION	REQUIREMENT	PROCEDURE																		
Mechanical durability, at ambient temperature	<p>No mechanical or electrical defects detrimental to the operation of the connector after the specified number of cycles of mating and unmating.</p> <p>Series 800, 801, 804 2000 Cycles</p> <p>805 500 cycles</p> <p>Series 803 Aluminum alloy 100 cycles Stainless steel 250 cycles</p>	EIA-364-09 IEC-60512-5 Test 9a																		
Solderability, PC tail contacts	95% solder coverage. Smooth, bright and even finish.	EIA-364-52 Category 3 IEC-60512-12-1 IEC-68-2-20																		
Contact retention	<table border="1"> <thead> <tr> <th>Contact Size</th> <th>Min. Pounds</th> <th>Min. Newtons</th> </tr> </thead> <tbody> <tr> <td>23</td> <td>6</td> <td>27</td> </tr> <tr> <td>20</td> <td>15</td> <td>67</td> </tr> <tr> <td>20HD</td> <td>9</td> <td>40</td> </tr> <tr> <td>16</td> <td>25</td> <td>111</td> </tr> <tr> <td>12</td> <td>25</td> <td>111</td> </tr> </tbody> </table>	Contact Size	Min. Pounds	Min. Newtons	23	6	27	20	15	67	20HD	9	40	16	25	111	12	25	111	EIA-364-29
Contact Size	Min. Pounds	Min. Newtons																		
23	6	27																		
20	15	67																		
20HD	9	40																		
16	25	111																		
12	25	111																		
Contact engaging and separation force	SAE AS39029 Table 9	EIA-364-37																		
Demating force (Series 804)	<p>Series 804 quick-disconnect connectors</p> <table border="1"> <thead> <tr> <th>Contact Arrangement</th> <th>Pounds</th> </tr> </thead> <tbody> <tr> <td>5-3</td> <td>11</td> </tr> <tr> <td>6-4</td> <td>11</td> </tr> <tr> <td>6-7</td> <td>12</td> </tr> <tr> <td>7-10</td> <td>12</td> </tr> <tr> <td>8-13</td> <td>13</td> </tr> <tr> <td>9-19</td> <td>14</td> </tr> <tr> <td>10-26</td> <td>16</td> </tr> </tbody> </table>	Contact Arrangement	Pounds	5-3	11	6-4	11	6-7	12	7-10	12	8-13	13	9-19	14	10-26	16			
Contact Arrangement	Pounds																			
5-3	11																			
6-4	11																			
6-7	12																			
7-10	12																			
8-13	13																			
9-19	14																			
10-26	16																			

General Information and Reference



SERIES 80

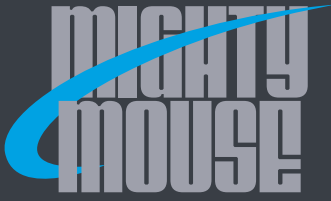
Mighty Mouse Connectors and Cables



Performance Test Report IAW MIL-DTL-810

DESCRIPTION	REQUIREMENT	PROCEDURE																																																
Insert retention	Unmated connectors shall retain their inserts in their proper location in the shell and there shall be no evidence of cracking, breaking, separation from the shell, or loosening of parts. <table border="1" style="margin: 10px auto;"> <thead> <tr> <th colspan="4">Shell Size</th> </tr> <tr> <th>Series 800 803 804</th> <th>Series 801</th> <th>Series 805</th> <th>Minimum Force in Pounds</th> </tr> </thead> <tbody> <tr><td>5</td><td>5</td><td></td><td>25</td></tr> <tr><td>6</td><td>6</td><td>8</td><td>25</td></tr> <tr><td>7</td><td>7</td><td>9</td><td>25</td></tr> <tr><td>8</td><td>8</td><td>10</td><td>25</td></tr> <tr><td>9</td><td>9</td><td>11</td><td>25</td></tr> <tr><td>10</td><td>10</td><td>12</td><td>25</td></tr> <tr><td>12</td><td>13</td><td>15</td><td>25</td></tr> <tr><td>14</td><td>16</td><td>18</td><td>40</td></tr> <tr><td>15</td><td>17</td><td>19</td><td>50</td></tr> <tr><td>21</td><td>23</td><td>80</td><td></td></tr> </tbody> </table>	Shell Size				Series 800 803 804	Series 801	Series 805	Minimum Force in Pounds	5	5		25	6	6	8	25	7	7	9	25	8	8	10	25	9	9	11	25	10	10	12	25	12	13	15	25	14	16	18	40	15	17	19	50	21	23	80		EIA-364-35
		Shell Size																																																
		Series 800 803 804	Series 801	Series 805	Minimum Force in Pounds																																													
		5	5		25																																													
		6	6	8	25																																													
		7	7	9	25																																													
		8	8	10	25																																													
		9	9	11	25																																													
		10	10	12	25																																													
		12	13	15	25																																													
14	16	18	40																																															
15	17	19	50																																															
21	23	80																																																
Residual magnetism	2 μ maximum.	EIA-364-54																																																
ENVIRONMENTAL																																																		
Operating temperature	-65° to +175°C -65° to +200°C Hermetic																																																	
Water immersion, mated	No evidence of water penetration into mated connectors.	MIL-STD-810F Method 512.4 1 meter immersion 1 hour																																																
Ingress protection, open face panel mount receptacles with non-removable printed circuit board or solder cup contacts, with Glenair Modification Code 518 sealing process	IP67	IEC 60529																																																
Humidity	No deterioration which will adversely affect the connector.	MIL-DTL-38999 4.5.26																																																

General Information and Reference



SERIES 80

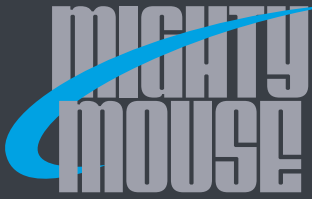
Mighty Mouse Connectors and Cables



Performance Test Report IAW MIL-DTL-810

DESCRIPTION	REQUIREMENT	PROCEDURE
Temperature cycling	No mechanical damage or loosening of parts. Following thermal shock, connector shall meet contact resistance, DWV, insulation resistance and shell-to-shell resistance requirements.	EIA-364-32 Test Condition IV IEC-60512-11-4. 5 cycles consisting of -65° C 30 minutes, +25° C 5 minutes max., +150° C 30 minutes, +25° C 5 minutes max.
Salt Spray	No exposure of base metal.	EIA-364-26 IEC 60512-11-6 Code M: 48 hours Code MT: 500 hours Code NF: 500 hours Code ZN: 500 hours Code ZNU: 500 hours
Sand and dust	Mated connectors shall withstand the effects of blowing sand and dust	MIL-STD-810, Method 510
Fungus	Connector materials shall be fungus inert.	MIL-STD-810, Method 508
Fluid immersion	No visible damage from immersion in various fuels and oils. Connector shall meet coupling torque and dielectric withstanding voltage requirements.	EIA-364-10
Altitude immersion	No evidence of moisture on connector interface or contacts. Connector shall meet dielectric withstanding voltage and insulation resistance	EIA-364-03 40,000 feet simulated altitude with additional supplemental potting for all series except 805
Outgassing	ASTM E595 1.0% maximum Total Mass Loss 0.1% maximum Total Collected Volatile Material (Special oven bake or thermal vacuum outgassing is required)	ASTM-E595

General Information and Reference



SERIES 80
Contacts and Tools
Product Selection Guide



About Series 80 Contacts
Page C-3



Size #8 Power Contacts
Page C-13



Size #23 Crimp Contacts
Plus Installation and
Termination Procedures
Page C-4 thru C-9



Size #16 and #12
(M39029/76, /78, /28, and
/27) Coaxial Contacts for
50 and 75 Ohm Cables
Page C-14 and C-18



#23 Contact, 20 AWG
Wire Adapter
Page C-10



Size #12, Matched
Impedance Contacts for
75 Ohm Cable.
Page C-17 and C-18



Size #20HD Crimp
Contacts
Page C-10



Size #8, 50 Ohm
(2.5 GHz and 3 GHz),
75 Ohm (4 GHz)
Page C-19 thru C-28



Size #20 (M39029/58 & 57)
Crimp Contacts
Page C-11



Size #8 (M39029/60 and
/59), Coax Contact for
95 Ohm Coax Cable
Page C-29 thru C-30



Size #16 (M39029/58 & 57)
Crimp Contacts Page C-11



Size #8 M39029/113 and
/114), Concentric
Twinax Contacts for
MIL-STD-1553 Databus
Page C-31 thru C-32



Size #12 (M39029/58 & 57)
Crimp Contacts
Page C-12



Size #8, Differential
Twinax Contacts
Page C-33 thru C-37



Size #12 Pneumatic
Crimp Contacts
Page C-12



Size #8 Quadrax Contacts
Page C-38 thru C-40



SERIES 80
Contacts and Tools
Product Selection Guide



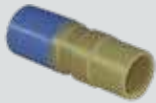
**Hand and Pneumatic
Contact Crimp Tools and
Positioners**
Page C-41 thru C-43



**Contact Insertion and
Extraction Tools**
Page C-44



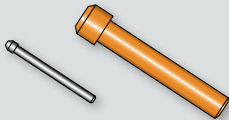
Contact Retention Tester
Page C-45



Size #8 Sealing Boots
Page C-45



**Dummy Contact Sealing
Plugs (DCSP)**
Page C-46



Grommet Sealing Plugs
Page C-47



SERIES 80

Mighty Mouse Contacts

This section of the catalog contains ordering information for contacts. Series 80 Mighty Mouse connectors are supplied with a full complement of crimp contacts. Contacts are terminated to wire using special tools and are snapped into place by hand or with a hand-held insertion tool. Damaged or miswired contacts may be removed from the connector using special extraction tools.

Although the connectors are supplied with a full complement of contacts, extra contacts are commonly purchased as spares or to use for quality assurance purposes such as crimp tensile tests.

Coaxial contacts must be ordered separately. If your application requires coaxial contacts, select contact types "A" or "B" (pin or socket) in the connector part number. The connector will be supplied without contacts. Select the appropriate coaxial or pneumatic contact from this section.

Mighty Mouse contacts conform to the requirements of **Aerospace Standard AS39029**. This SAE specification defines the design, dimensions and performance of contacts used in aerospace grade electrical connectors. The "**general specification**" covers a variety of contacts including thermocouple, hermetic, coaxial and triaxial types.

The "**slash sheets**" contain dimensions and other information for specific types of contacts. Each contact is assigned a **Basic Identification Number (BIN)**, a non-significant three digit code corresponding to the color code on the contacts.

A **Qualified Products List (QPL)** identifies those manufacturers whose products have been verified to meet all requirements.

Series 80 Size #23 and size #20HD contacts conform to AS39029 requirements, but are not covered by a slash sheet. Size #20, #16 and size #12 contacts are standard AS39029 contacts.



ABOUT CRIMP TOOLS

Series 80 signal, power, and coaxial contacts are crimped to wire using mil spec crimpers. **Military Specification MIL-DTL-22520** provides the aerospace/defense industry with a common set of rugged, reliable hand crimp tools. This specification controls the voltage drop and tensile strength of crimp terminations.

Before ordering, check to see if you already have these tools! We have listed the military part number for reference. Please be aware that Size #23 and #20HD contacts require special positioners unique to the Mighty Mouse product line.

CONTACTS AND TOOLS



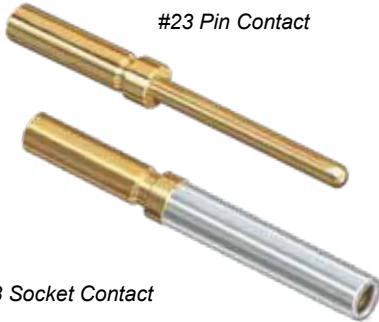
SERIES 80

Mighty Mouse Contacts and Tools

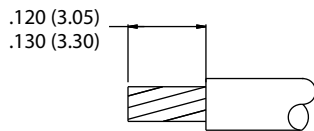
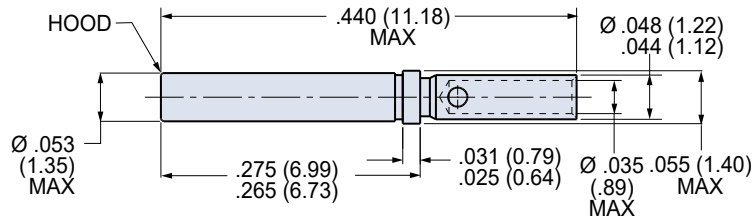
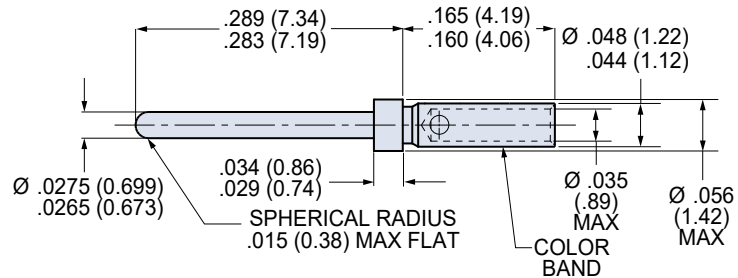


Size #23 Crimp Removable Beryllium Copper, Alumel, or Chromel Thermocouple Contacts

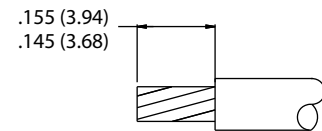
SIZE #23 CRIMP CONTACTS FOR AWG 22 TO 30 GAUGE



Standard size #23 contacts accept #22 to #28 AWG wire. For thermocouple applications, specify alumel or chromel contacts. Contacts are bulk packaged. Terminate with standard M22520 crimper and special positioner.



THERMOCOUPLE RECOMMENDED WIRE STRIP LENGTH



STANDARD CONTACT RECOMMENDED WIRE STRIP LENGTH

NOTES

Material / Finish

• 809-001 and 809-002:

Material: Beryllium copper alloy per ASTM B 196 or ASTM B 197. Hood, 305 CRES per QQ-S-763; ASTM A240; AMS5514; etc.

Finish: 50 microinches gold plated per ASTM B 488 over nickel underplate. Crimp area may have less plating. Hood, 305 CRES per QQ-P-35.

• 809-066A:

Alumel IAW ASTM-E230, Type K (-)

• 809-066C:

Chromel IAW ASTM-E230, Type K (+)

Specifications

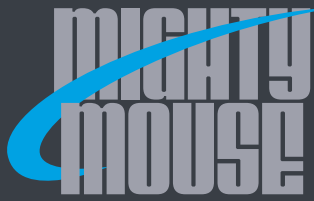
- Current Rating (809-001 and 809-002): 5 Amps maximum
- Voltage Drop (809-001 and 809-002): 70 millivolts maximum at 5 Amps and 25° C

Contact Crimp and Removal Tools		
Tool	Glenair P/N	Military P/N
Hand Crimp Tool	809-015	M22520/2-01
Positioner Standard and Thermocouple	809-005	N/A
Standard Contact Insertion/ Removal Tool	809-088	N/A
Thermocouple Contact Removal Tool	809-007	N/A
Thermocouple Contact Insertion Tool	809-006	N/A

Size #23 Removable Crimp Contacts				
Contact Type	Wire Size	Material	Part Number	Color Band
Pin	#22 - #28	BeCu	809-001	None
Socket	#22 - #28	BeCu	809-002	None
Pin	#22 - #28	Alumel	809-065A	None
Socket	#22 - #28	Alumel	809-066A	None
Pin	#22 - #28	Chromel	809-065C	None
Socket	#22 - #28	Chromel	809-066C	None

Crimp Tensile Strength, Engagement and Separation Forces				
Wire Gage	Contact Tensile Strength		Thermocouple	
	Standard	Thermocouple	Max Engagement Force	Min Separation Force
#22	12	6 lbs	12.0 oz	4.0 oz
#24	8			
#26	5	1.5 lbs		
#28	3			

CONTACTS AND TOOLS



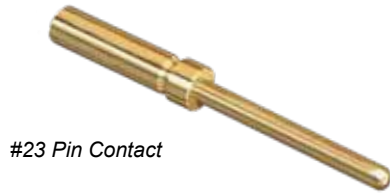
SERIES 80

Mighty Mouse Contacts and Tools

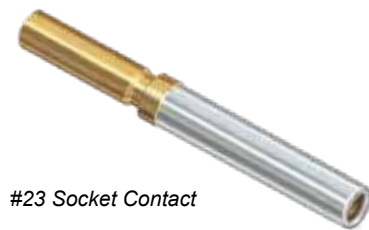


Size #23 Pin and Socket Contacts for use with Size #8 Combo Arrangements

SIZE #23 CRIMP CONTACTS FOR COMBO ARRANGEMENTS WITH SIZE #8 CONTACTS

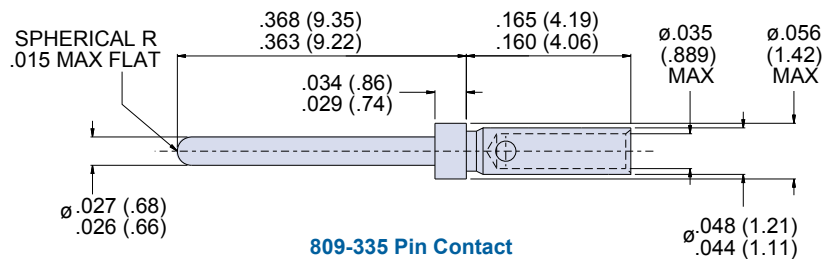


#23 Pin Contact

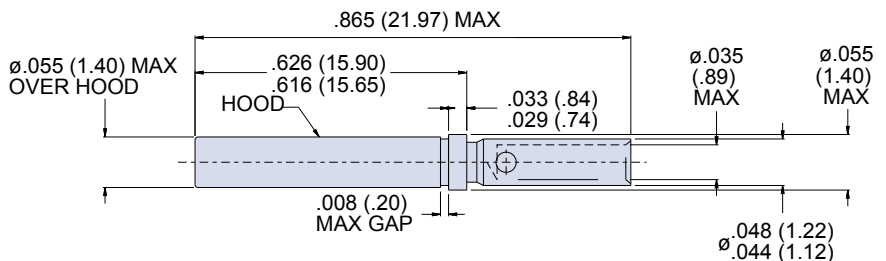


#23 Socket Contact

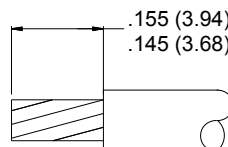
Select these longer Size #23 contacts when ordering combo arrangements with size #8 contacts. Combo arrangements with size #8 contacts require the use of longer pin and socket, size #23 contacts. These contacts accept #22 to #28 AWG wire. Terminate with standard M22520/2-01 crimper for use with pin positioner, part number 809-174 and socket positioner, part number 809-369. Use insertion/extraction tool, part number 809-088. Contacts are bulk packaged.



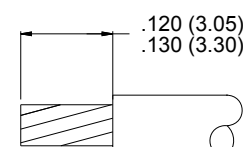
809-335 Pin Contact



857-034 Socket Contact



809-335
RECOMMENDED WIRE STRIP LENGTH



857-034
RECOMMENDED WIRE STRIP LENGTH

NOTES

Material

809-335 Pin:

- Beryllium copper per ASTM B 196 or ASTM B 197

857-034 Socket:

- Contact: Beryllium copper per ASTM B 197

Hood : Stainless steel per QQ-S-763

Finish

809-335 Pin:

50 microinches minimum gold plating per ASTM B 488 over nickel underplate

857-034 Socket:

Contact - 50 microinches minimum gold plating per ASTM B 488 over nickel underplating

Hood - passivated per QQ-P-35

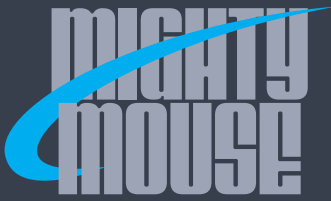
Specifications

- Current Rating: 5 Amps maximum
- Voltage Drop (at 5 Amps and 25° C): 70 millivolts maximum
- Temperature Range: -65° to +175° C
- Socket Contact Minimum Separation Force: 0.5 ounces

Contact Crimp and Removal Tools		
Tool	Glenair P/N	Military P/N
Hand Crimp Tool	809-015	M22520/2-01
Socket Positioner	809-369	N/A
Pin Positioner	809-174	N/A
Contact Insertion/removal tool	809-088	N/A

Size #23 Removable Crimp Contacts				
Contact Type	Wire Size	Material	Part Number	Color Band
Pin	#22 - #28	BeCu	809-335	None
Socket	#22 - #28	BeCu	857-034	None

Crimp Tensile Strength (Values are in pounds)			
Wire Gage	Axial Load	Wire Gage	Axial Load
#22	12	#26	5
#24	8	#28	3



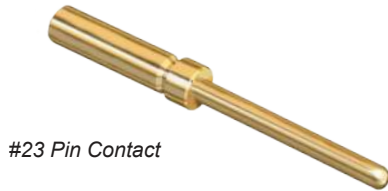
SERIES 80

Mighty Mouse Contacts and Tools

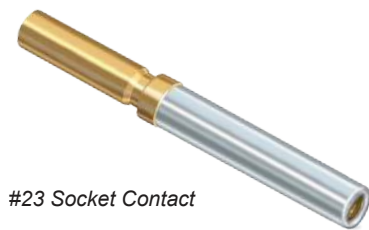


Size #23 Small-Bore Pin and Socket Contacts for use with Size #26 to 30 AWG Wire

SIZE #23 CRIMP CONTACTS FOR 26 TO 30 AWG WIRE

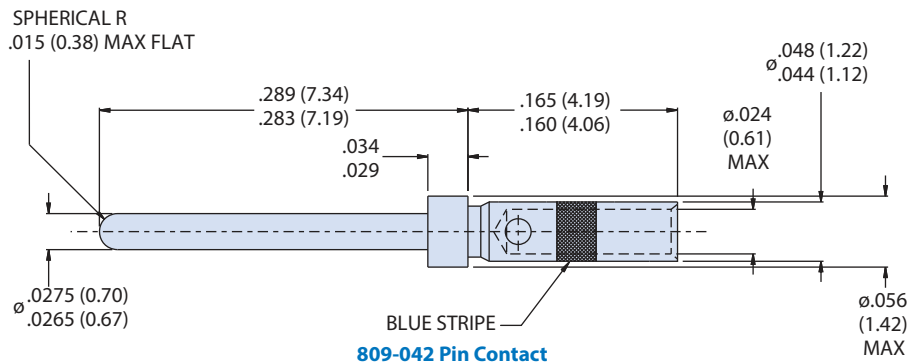


#23 Pin Contact

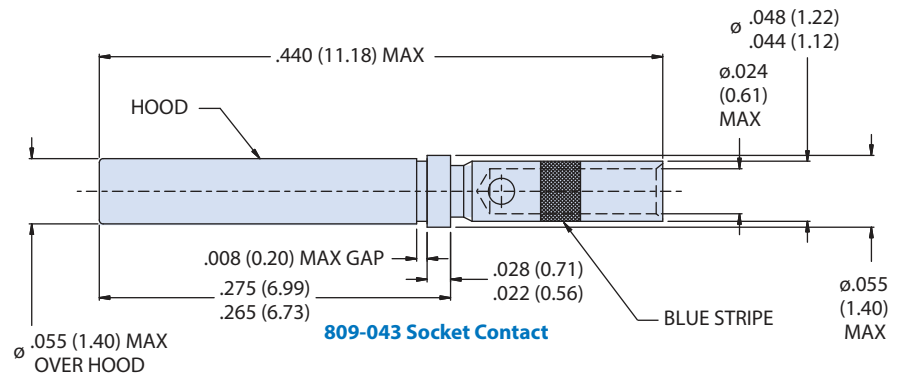


#23 Socket Contact

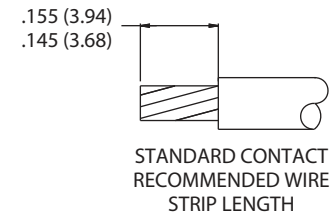
Select "small-bore" contacts for termination to size #26 to #30 AWG wire. Contacts are bulk packaged. Terminate with standard M22520 crimper with special positioner.



809-042 Pin Contact



809-043 Socket Contact



NOTES

Material:

- Pin: beryllium copper per ASTM B196 or B197
- Socket: beryllium copper per ASTM B197
- Socket hood: SST per QQ-S-763

Finish:

- Pin and socket contact: 50 microinches minimum, gold plating per ASTM B 488 over nickel underplating
- Socket hood: passivated per QQ-P-35

Specifications

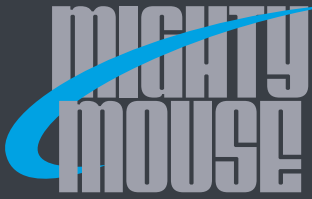
- Current Rating: 5 Amps maximum
- Voltage Drop (at 5 Amps and 25° C): 70 millivolts maximum
- Temperature Range: -65° to +175° C.
- Socket Contact Minimum Separation Force: 0.5 ounces
- Minimum separation force 0.5 oz. (MS3197-23X1 Pin)
- Maximum engagement force 8.0 oz. (MS3197-23Y1 Pin)
- Contacts packaged in bulk

Contact Crimp and Removal Tools		
Tool	Glenair P/N	Military P/N
Hand Crimp Tool	809-015	M22520/2-01
Small Bore Positioner	809-057	N/A
Contact Insertion/ Removal Tool	809-088	N/A

Size #23 Removable Crimp Contacts				
Contact Type	Wire Size	Material	Part Number	Color Band
Pin	#26 - #30	BeCu	809-042	Blue
Socket	#26 - #30	BeCu	809-043	Blue

Crimp Tensile Strength (Values are in pounds)		
Wire Gage	Axial Load	Positioner Setting
#26	5 lbs	5
#28	3 lbs	4
#30	1.5 lbs	3

CONTACTS AND TOOLS



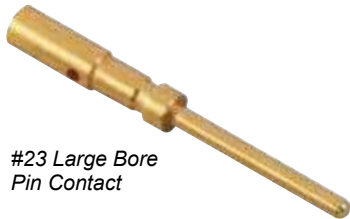
SERIES 80

Mighty Mouse Contacts and Tools

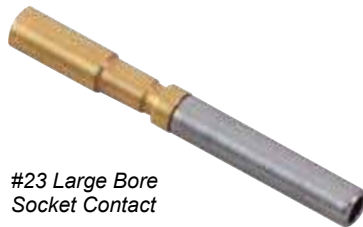


Size #23 Large-Bore Non-Removable Crimp Contacts for Size #20 to #22 AWG Wire

SIZE #23 CRIMP CONTACTS FOR AWG #20 WIRE (NON-REMOVABLE)

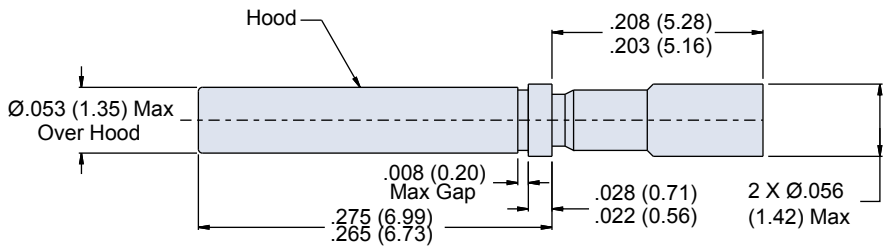
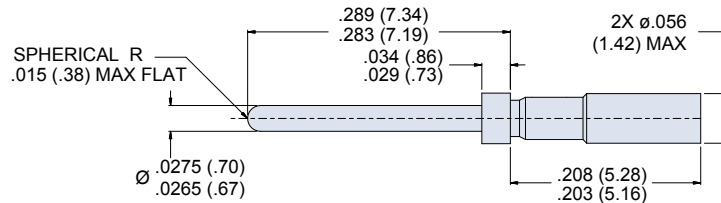


#23 Large Bore Pin Contact



#23 Large Bore Socket Contact

Select "large-bore" version size #23 contacts for termination of size #20 to #22 AWG wire. Contacts are bulk packaged. Terminate with standard M22520 crimper with special positioner. **Note contacts are installed with standard size #23 insertion tools.**



NOTES

Material

- Pin: beryllium copper per ASTM B196 or ASTM B 197
- Socket: beryllium copper per ASTM B196 or ASTM B197
- Socket hood: CRES per QQ-S-763; ASTM A240; AMS5514; etc.

Finish

- Pin and Socket: 50 microinches minimum gold plating per ASTM B488 over nickel underplate. Crimp area may have less plating.
- Socket hood: passivated per QQ-P-35

Specifications

- Current Rating: 5 Amps maximum
- Voltage Drop (at 5 Amps and 25° C): 70 millivolts maximum
- Socket contact minimum separation force: 0.5 ounces
- Socket contact maximum engagement force

Size #23 Non-Removable Crimp Contacts				
Contact Type	Wire Size	Material	Part Number	Color Band
Pin	#23 - #20	BeCu	809-299	None
Socket	#23 - #20	BeCu	809-300	None

Crimp Tensile Strength (Values are in pounds and are minimums.)	
Wire Gage	Axial Load
#20	20
#22	12

Contact Crimp and Removal Tools		
Tool	Glenair P/N	Military P/N
Hand Crimp Tool	809-015	M22520/2-01
Pin//Socket Large Bore Positioner	809-301	N/A
Contact Insertion/Removal Tool	809-088	N/A



SERIES 80

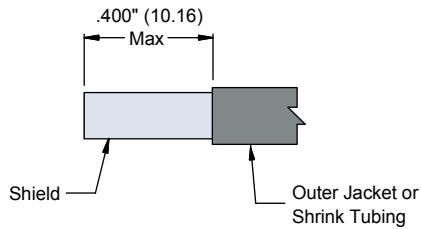
Mighty Mouse Contacts and Tools



Recommended Shielded Twisted Pair Termination to Size #23 Contacts

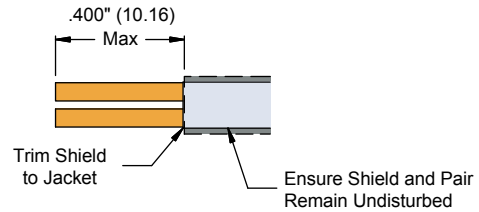
STEP 1

Strip jacket back .400" Max. If pair is unjacketed, install shrink tubing .400" Max from end of wires.



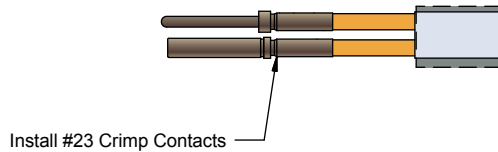
STEP 2

Trim shield back to jacket. Ensure that wires do not become separated underneath jacket.



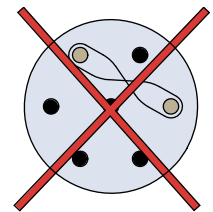
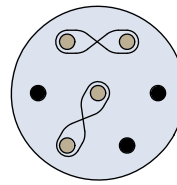
STEP 3

Install #23 crimp contacts included with connector per recommended installation procedure.



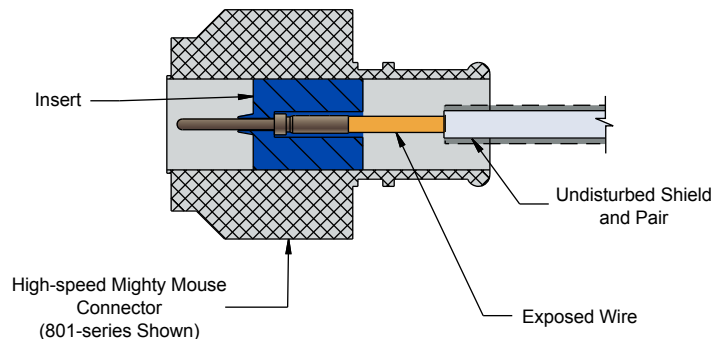
STEP 4

Insert contacts into adjacent cavities of high-speed mighty mouse connector with rear grommet removed (MOD-422B).



STEP 5

Assembled view



HOW TO TERMINATE, INSTALL AND REMOVE SIZE #23 CONTACTS

1 Set Up Crimp Tool. Install proper positioner into crimp tool. The label on the positioner shows the proper tool setting for each wire size. Turn the adjustment wheel to the correct setting.

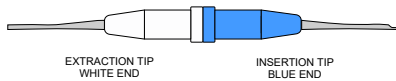
2 Strip Wire. Remove wire insulation, taking care to avoid nicking or cutting wire strands. Strip wire to length shown.

3 Insert wire into contact. The wire should be visible in the inspection hole.

4 Insert contact into crimp tool as shown. Make sure that the contact is fully inserted into the tool. Squeeze handle completely. The ratchet mechanism will not allow a partial crimp. Release handle and remove contact.

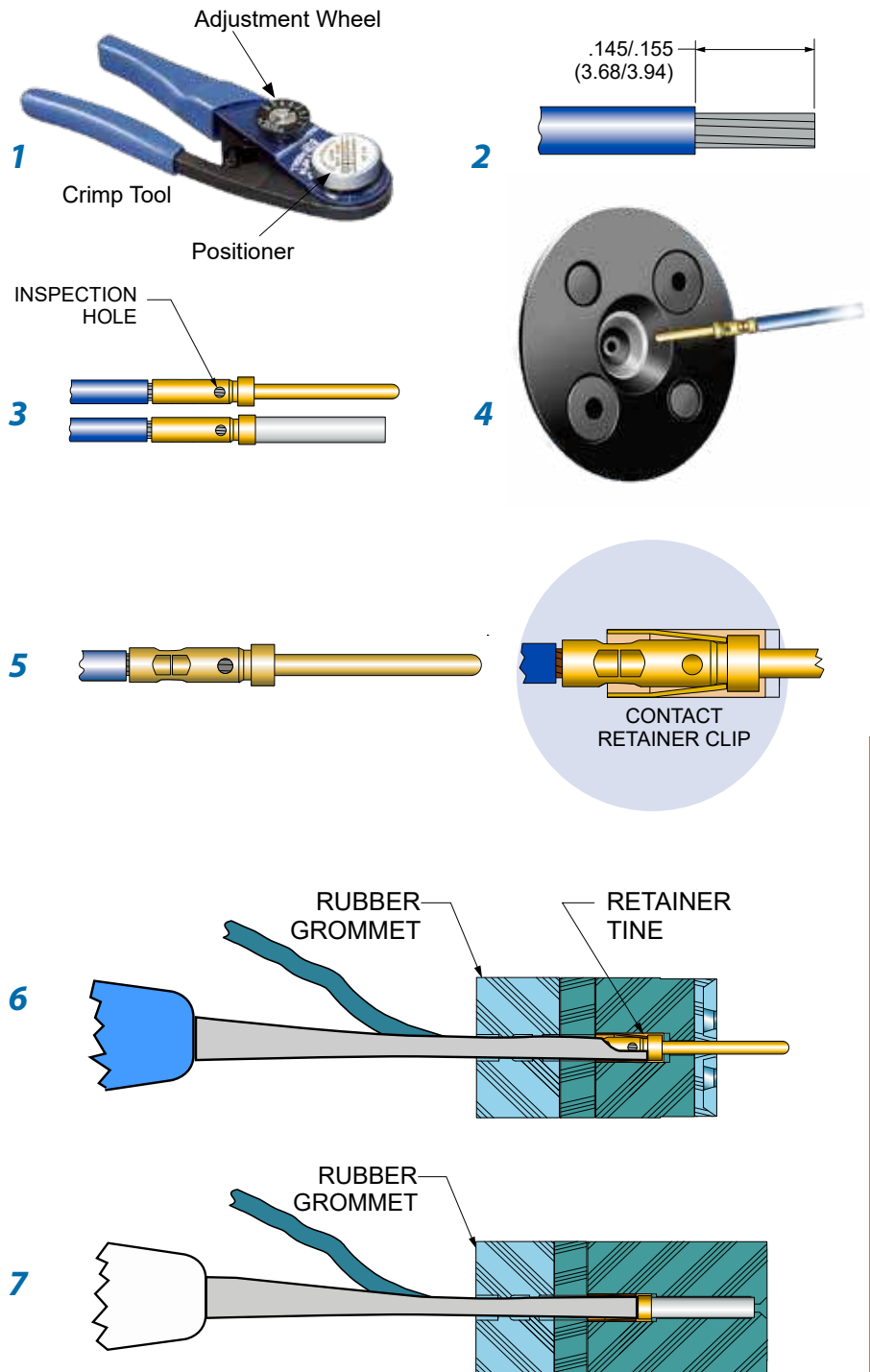
5 Inspect crimped contact. Wire should be fully inserted and the crimp should be uniform in appearance.

Insertion/Extraction Tool 809-088



6 Install contact into connector. Push the contact through the rear grommet until the contact locks into place. This can usually be done by hand without the need for a tool. If the wire gage is #26 or smaller, a tool is helpful. There are two techniques for installing contacts with a tool. One method is to push the contact in by hand, then use the tool to finish the insertion. The other method is to position the insertion tip against the contact shoulder, then insert the contact. Use insertion/extraction tool 809-088 to install contacts. Slide the wire into the groove on the blue end of the tool. Slide the tool tip up the contact until it touches the contact shoulder. **USE CARE TO AVOID DAMAGING THE CONNECTOR.**

7 Contact Extraction. Use tool 809-088. The white end is used for contact extraction. First, push the wire into the groove of the metal tip. Slide the tip of the tool into the connector. Push the tool into the connector cavity until the tip bottoms in the connector. Avoid wiggling or rocking the tip. This may damage the cavity. A straight push is best. Pinch the wire between your finger and the white plastic grip and slide the tool and contact out of the connector. **Wire insulation diameter greater than 0.045 inches (1.14mm) is too large to work properly with the extraction tool. connector damage is possible.**





SERIES 80 Mighty Mouse Connectors



Size #20 AWG Wire Adapter for Size #23 Contact and Size #20HD Crimp Contacts

ADAPTER FOR CRIMPING #20 AWG WIRE TO SIZE #23 STANDARD BORE CONTACTS



#20 AWG Wire Adapter

Size #22 AWG wire is the largest wire size that fits standard size 23 contacts. Use this adapter to attach larger #20 gage wire. First, crimp wire to adapter, then crimp the adapter into the size #23 contact. Adapters are made of tellurium copper alloy #1452, and are gold plated. Crimp with M22520/1-01 tool and 809-138 (Daniels TH653) positioner. These adapters cannot be removed from connectors.

Part Number		
Adapter Size	Wire Size	Part Number
#22-20	#20	809-093

Contact Crimp Tools		
Description	Part Number	Military Part Number
Hand Crimp Tool	809-136	M22520/1-01
Positioner	809-137	M22520/1-04

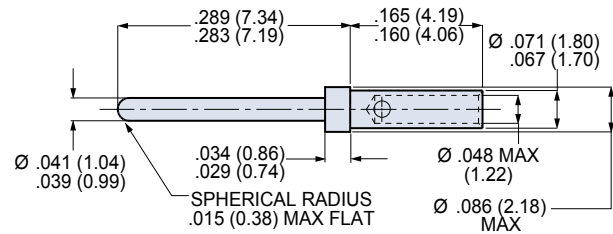
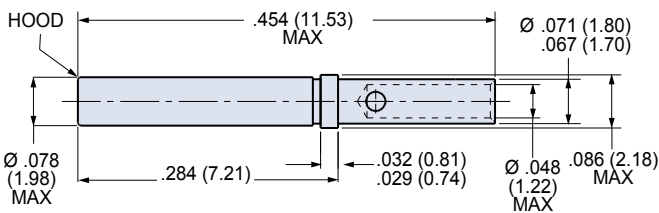
SIZE #20HD CRIMP CONTACTS



#20 HD Pin Contact

#20 HD Socket Contact

High-density size #20HD contacts accept #20 to #24 AWG wire. At rated test current of 7.5 amps, the maximum voltage drop is 55 millivolts. Contacts are gold-plated copper alloy. Socket contacts feature stainless steel hoods to protect against probe damage. Contacts are bulk packaged. Terminate with M22520/2-01 crimper and 809-206 positioner.



NOTES

Material

- Pin and socket: beryllium copper per ASTM B196 or B197 .
- Socket hood: SST per QQ-S-763.

Finish

- Pin & socket: 50 microinches min. gold plate per ASTM B488 over nickel underplate.
- Socket hood: passivate per QQ-P-35.

Specifications

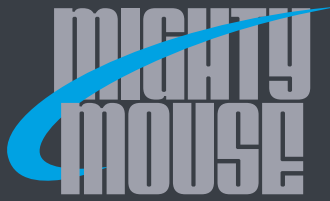
- Current rating: 7.5 amps maximum
- Temperature range: -65° to + 175° C.
- Minimum separation force: 0.7 oz.
- Maximum engagement force: 18 oz.
- Contact millivolt drop: 55 millivolts max at 7.5 amps, 25°C

Contact Crimp and Removal Tools		
Tool	Glenair P/N	Military P/N
Hand Crimp Tool	809-015	M22520/2-01
Pin//Socket Positioner	809-206	N/A
Contact Insertion/Removal Tool	809-203	N/A

Contact Part Numbers		
Contact Type	Wire Size	Part Number
Pin	#20 - #24	809-204
Socket	#20 - #24	809-205

Crimp Tensile Strength		
Wire Gage	Silver or Tin Coated Copper Wire*	Nickel Coated Copper Wire*
#20	20	19
#22	12	8
#24	8	6

* Values are in pounds and are minimums.



SERIES 80

Mighty Mouse Contacts and Tools



Size #20 and #16 Crimp Power Contacts

SIZE #20 CRIMP CONTACTS FOR USE WITH COMBO CONTACT ARRANGEMENTS



#20 Socket Contact

Standard size #20 contacts accept #20 to #24 AWG wire. At rated test current of 7.5 amps, the maximum voltage drop is 55 millivolts. Contacts are gold-plated copper alloy. Socket contacts feature stainless steel hoods to protect against probe damage. Approved to SAE-AMS-39029. Contacts are bulk packaged. Terminate with M22520/1-01 crimpers and M22520/1-04 positioner.

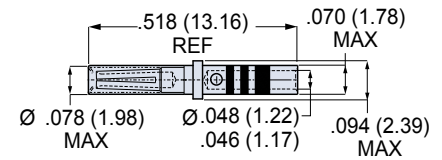
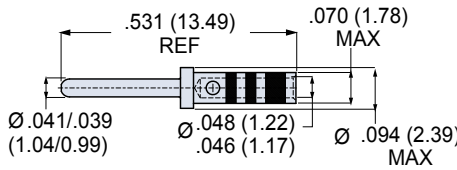
Contact Type	Wire Size	Part Number	Military Part Number	Color Band		
				1st	2nd	3rd
Pin	#20 – #24	850-002-20-363	M39029/58-363	Orange	Blue	Orange
Socket	#20 – #24	850-003-20-357	M39029/57-357	Orange	Green	Violet

Contact Crimp and Removal Tools		
Description	Glenair P/N	Military P/N
Hand Crimp Tool	809-015	M22520/2-01
Pin/Skt Positioner	809-137	M22520/2-10
Insertion Tool	809-207	M22520/14-10

NOTES

Specifications

- Current rating: 7.5 amps
- Max operating temp: +125°C
- Minimum separation force: 0.7 oz.
- Maximum engagement force: 18 oz.
- Max contact millivolt drop at 7.5 amps: 83 millivolts at 25°C; 125 millivolts at 125°C, silver plated wire



SIZE #16 CRIMP CONTACTS



#16 Socket Contact

Standard size #16 contacts accept #16 to #20 AWG wire. At rated test current of 13 amps, the maximum voltage drop is 49 millivolts. Contacts are gold-plated copper alloy. Socket contacts feature stainless steel hoods to protect against probe damage. Approved to SAE-AMS-39029. Contacts are bulk packaged. Terminate with M22520/1-01 crimpers and M22520/1-04 positioner.

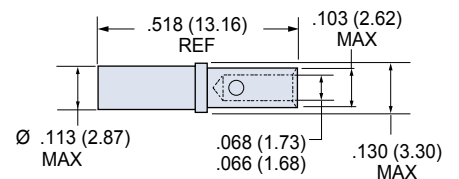
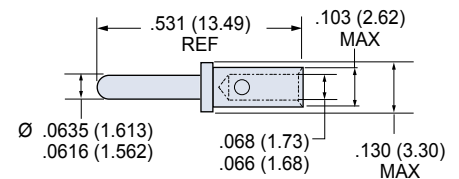
Contact Type	Wire Size	Part Number	Military Part Number	Color Band		
				1st	2nd	3rd
Pin	#16 – #20	809-110	M39029/58-364	Orange	Blue	Yellow
Socket	#16 – #20	809-111	M39029/57-358	Orange	Green	Gray

Contact Crimp and Removal Tools		
Description	Glenair P/N	Military P/N
Hand Crimp Tool	809-136	M22520/1-01
Pin/Skt Positioner	809-137	M22520/1-04
Insertion/Removal Tool	809-131	M81969/14-03

NOTES

Specifications

- Current rating: 13 amps
- Max operating temp: +125°C
- Minimum separation force: 2 oz.
- Maximum engagement force: 30 oz.
- Max contact millivolt drop at 13 amps: 49 millivolts at 25°C; 74 millivolts at 125°C, silver plated wire



CONTACTS AND TOOLS



SERIES 80 Mighty Mouse Contacts and Tools

Size #12 Crimp or Pneumatic



SIZE #12 CRIMP CONTACTS



Standard size #12 contacts accept #12 to #14 AWG wire. At rated test current of 23 amps, the maximum voltage drop is 63 millivolts. Contacts are gold-plated copper alloy. Socket contacts feature stainless steel hoods to protect against probe damage. Approved to SAE AS39029. Contacts are bulk packaged. Terminate with M22520/1-01 crimper and M22520/1-04 positioner.

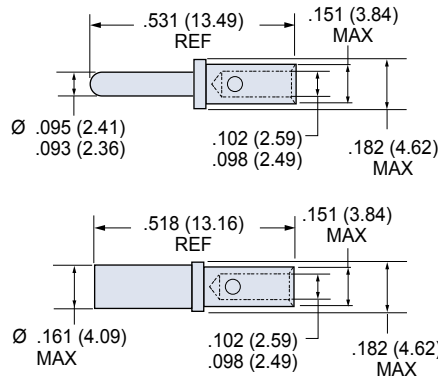
Contact Type	Wire Size	Part Number	Military Part Number	Color Band		
				1st	2nd	3rd
Pin	#12 - #14	809-112	M39029/58-365	Orange	Blue	Green
Socket	#12 - #14	809-113	M39029/57-359	Orange	Green	White

#12 Socket Contact

NOTES

Specifications

- Current rating: 23 amps
- Max operating temp: +125°C
- Minimum separation force: 3 oz.
- Maximum engagement force: 30 oz.
- Max contact millivolt drop at 23 amps: 42 millivolts at 25°C; 63 millivolts at 125°C, silver plated wire



Contact Crimp and Removal Tools

Description	Glenair P/N	Military P/N
Hand Crimp Tool	809-136	M22520/1-01
Pin/Skt Positioner	809-138	M22520/1-04
Pin/Skt Insertion Tool	809-132	M81969/14-04

SIZE #12 PNEUMATIC CONTACTS



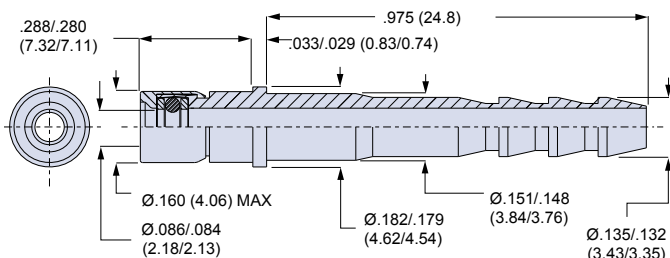
Stainless steel pneumatic contacts attach to 3/32 inch (2.38) diameter tubing. Socket contact has o-ring and PTFE backup washers. Contacts snap into size #12 connector cavities. Ideal for pitot tube connections, these pneumatic contacts are rated for 100 PSI maximum air pressure. No installation tool is required. Remove contacts with plastic extraction tool 809-132.

Contact Type	Tube I.D.	Part Number
Pin	.094 (2.38)	830-004
Socket	.094 (2.38)	830-003

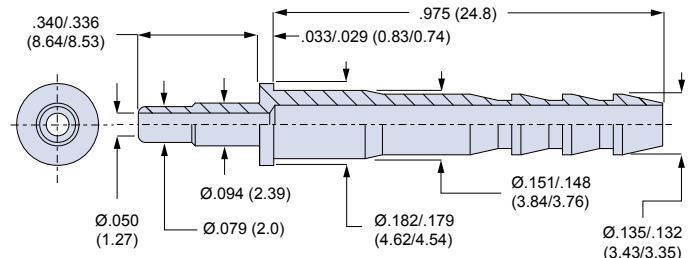
NOTES

Material and Finish

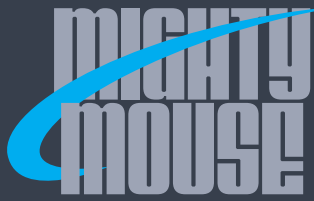
- Body and Cap: stainless steel, passivated
- O-ring: fluorosilicone
- Washers: PTFE



830-004 Socket Contact



830-003 Pin Contact



SERIES 80 Mighty Mouse connectors



Size #8 Power Contacts and Sealing Boot for Series 801, 802, and 805 Connectors

SIZE #8 CONTACTS

Power contacts accept #8 AWG wire. These contacts fit Mighty Mouse 801, 802 and 805 connectors with size 8 cavities. 46 amp current rating. Gold-plated copper alloy. Socket contact has stainless steel hood. Conforms to SAE AS39029 requirements. Terminate with pneumatic crimp tool (859-025) in conjunction with die assembly (859-026) and locator (859-046).



Figure	Contact Type	Conductor Size	Part Number Contact Only	Part Number for Contact and Sealing Boot
Fig.1	Pin	#8	850-014	850-014F
Fig.2	Socket	#8	850-013	850-013F

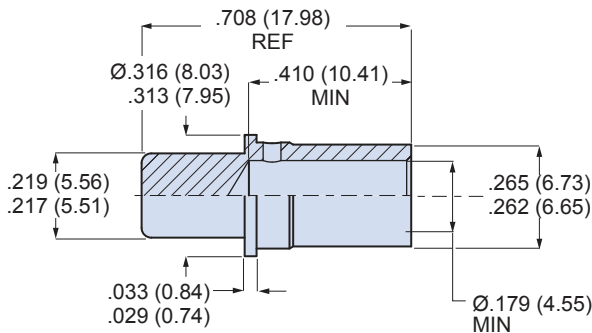


Fig. 1
Pin Contact 850-014

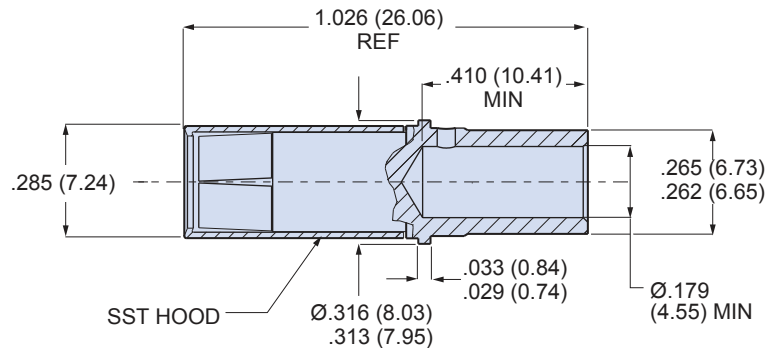


Fig. 2
Socket Contact 850-013

Material and Finish	
Contact Body	Copper alloy/ gold plated IAW ASTM B488, Type II, Code C, .000050 minimum thickness, over nickel IAW SAE AMS-QQ-N-290, Class 2, .000050 to .000100 thickness.
Socket Contact Hood	CRES, passivated

Specifications		
Description	Requirement	Procedure
Test Current	46 Amperes	SAE AS39029 para. 4.7.5, EIA-364-06
Contact Resistance	26 millivolts maximum	SAE AS39029 para. 4.7.5, EIA-364-06
Minimum Separation Force	5 ounce minimum	SAE AS39029 para. 4.7.6, EIA-364-37
Crimp Tensile Strength	220 lbs. (978 newtons)	SAE AS39029 para. 4.7.9, EIA-364-08
Durability	500 mating cycles	SAE AS39029 para. 4.7.10

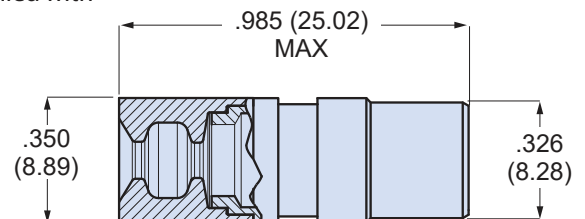
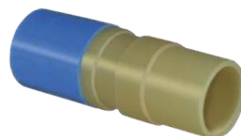
Contact Crimp and Removal Tools		
Description	Glenair P/N	Military P/N
Pneumatic Crimp Tool	859-025	M22520/23-01
Die	859-026	M22520/23-02
Locator	859-046 or 859-164*	none
Contact Removal Tool	859-049	M81969/14-12

* Recommended

Sealing Boot

Sealing boot provides wire seal. Slide boot onto wire before terminating contact. After contact is installed in connector, slide boot forward into connector grommet to seal the contact cavity. "F" suffix added on contact part number specifies contact supplied with sealing boot P/N 859-042-03.

Sealing Boot Dimensions		
Wire Dia. (in.)	Wire Dia. (mm.)	Part Number
.170 - .205	4.3 - 5.2	859-042-03





SERIES 80

Mighty Mouse Contacts and Tools

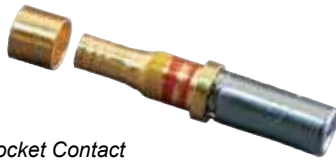


Size 16 Coax Crimp Contacts For 50 and 75 Ohm Coaxial Cable

SIZE #16 COAXIAL CONTACTS, 700 MHZ MAX FREQUENCY



#16 Pin Contact

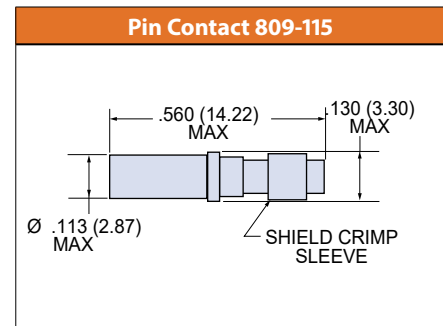
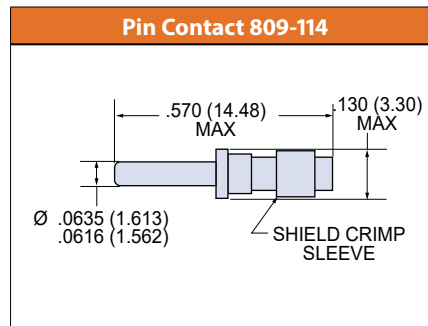


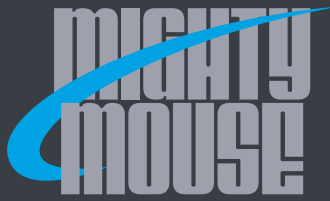
#16 Socket Contact

These #16 contacts accept 50 Ohm and 75 Ohm coaxial cable. Inner contact is rated at 1 amp, the outer contact 12 amps. DWV voltage rating is 800 VAC RMS sea level, 250 Vac at 50,000 feet. Contacts are packaged individually and are unassembled with instruction sheet. One contact consists of outer contact, fluorocarbon dielectric, inner contact and shield crimp sleeve. Inner and outer contacts are gold-plated copper alloy. Approved to SAE AS39029. VSWR rating 1.5:1 maximum up to 700 MHz. 5000 megOhm insulation resistance.

Type	Cable Size	Part Number	Military Part Number	Color Band		
				1st	2nd	3rd
Pin	RG174, RG316, RG179	809-114	M39029/76-424	Yellow	Red	Yellow
Pin	RG178	809-115	M39029/76-425	Yellow	Red	Green
Socket	RG174, RG316, RG179	809-116	M39029/78-432	Yellow	Orange	Red
Socket	RG178	809-117	M39029/78-433	Yellow	Orange	Orange

/76 and /78 Contact Crimp and Removal Tools		
Description	Glenair P/N	Military P/N
Inner Contact, Tool	809-015	M22520/2-01
Inner Contact, Pos.	859-125	M22520/2-35
Outer Contact, Tool	809-127	M22520/4-01
Outer Contact, Pos.	859-126	M22520/4-02
Installation Tool	N/A	M81969/8-07
Removal Tool	N/A	M81969/8-08





SERIES 80 Mighty Mouse connectors



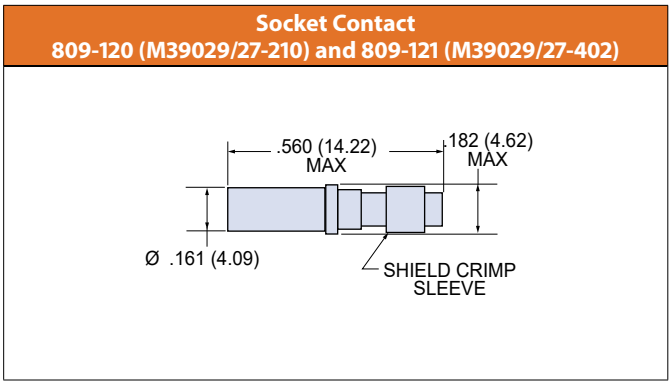
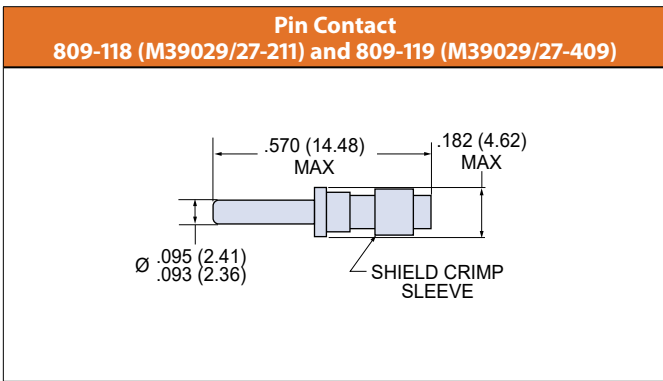
Size 12 Coax Crimp Contacts For 50 and 75 Ohm Coax Cable

SIZE #12 COAXIAL CONTACTS



These #12 contacts accept 50 Ohm and 75 Ohm coaxial cable. Inner contact is rated at 1 amp, the outer contact 12 amps. DWV voltage rating is 1000 VAC RMS sea level, 250 Vac at 50,000 feet. Contacts are packaged individually and shipped unassembled with instruction sheet. One contact consists of outer contact, fluorocarbon dielectric, inner contact and shield crimp sleeve. Inner and outer contacts are gold-plated copper alloy. Approved to SAE AS39029. VSWR rating 1.5:1 maximum operating frequency range up to 700 MHz depending on cable selection. 5000 megOhm insulation resistance.

Type	Cable Size	Part Number	Military Part Number	Color Band		
				1st	2nd	3rd
Pin	RG174, RG316, RG179	809-118	M39029/28-211	Red	Brown	Brown
Pin	RG180	809-119	M39029/28-409	Yellow	Black	White
Socket	RG174, RG316, RG179	809-120	M39029/27-210	Red	Brown	Black
Socket	RG180	809-121	M39029/27-402	Yellow	Black	Red



Contact Crimp and Removal Tools		
Description	Glenair P/N	Military P/N
Inner Contact, Crimp Tool	809-015	M22520/2-01
Inner Contact, Positioner	809-135	M22520/2-34
Outer Contact, Crimp Tool	809-133	M22520/31-01
Outer Contact, Positioner	859-134	M22520/31-02
Installation Tool	N/A	M81969/8-09
Removal Tool	859-049	M81969/8-10



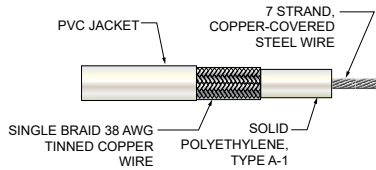
SERIES 80 Mighty Mouse connectors



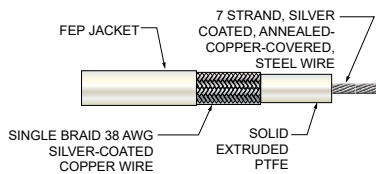
50 and 75 Ohm Coax Cable for Size 16 and 12 Coax Crimp Contacts

SIZE #12 AND #16 COAXIAL CABLE SPECIFICATIONS

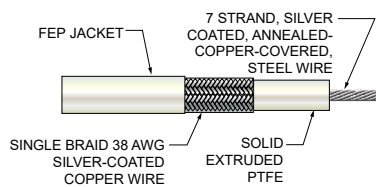
M17/119 RG174



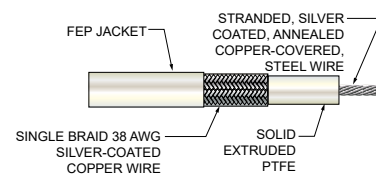
M17/113 RG316



M17/094 RG179



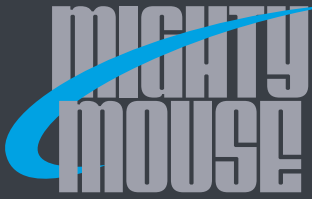
M17/095 RG180



Military Part Number	RG174 (M17/119-RG174)	RG316 (M17/113-RG316)	RG179 (M17/094-RG179)	RG180 (M17/095-RG180)
Max Operating Frequency	1 GHz	3 GHz	3 GHz	3 GHz
Impedance	50	50	75	95
Velocity of Propagation %	65.9	69.5	69.5	69.5
Capacitance (pF/ft)	32.2	32.0	23.0	17.4
Conductor Diameter	.0189 (0.48)	.0201 (0.51)	.012 (0.30)	.012 (0.30)
Conductor Type	7 Strand CC ¹ Steel Wire	7 Strand SC ² , ACC ³ Steel Wire	7 Strand SC ² , ACC ³ Steel Wire	7 Strand SC ² , ACC ³ Steel Wire
Dielectric Diameter	.060 (1.52)	.060 (1.52)	.063 (1.60)	.102
Dielectric	Solid Polyethylene	Solid Polyethylene	Solid Extruded PTFE	Solid Extruded PTFE
Outer Shield Diameter	.088 (2.24)	.081 (2.06)	.084 (2.13)	.124 (3.15)
Outer Shield Coverage	85.6% nom.	95.2% nom.	92.3% nom.	91.0% nom.
Outer Diameter	.110 (2.79)	.098 (2.49)	.100 (2.54)	.141 (3.58)
Jacket	PVC	PVC	FEP	FEP
Weight	.0095 lbs/ft	1.22 lbs/100ft	.0108 lbs/ft.	.0198 lbs/ft.
Temperature Range	-40°C to +85°C	-55° to +200°C	-55° to +200°C	-55° to +200°C
Frequency	Attenuation (dB/100 ft) nominal			
50 MHz	6.5	7.5		
100 MHz	10	11		
400 MHz	25	21	21.0 max	17.0 max
1 GHz	45	38		
3.0 GHz		58		

1. CC = copper covered
2. SC = silver coated
3. ACC = annealed-copper-covered

Cables shown may be used for matched and un-matched impedance contacts except for RG180; which is only used with non-matched impedance contacts.

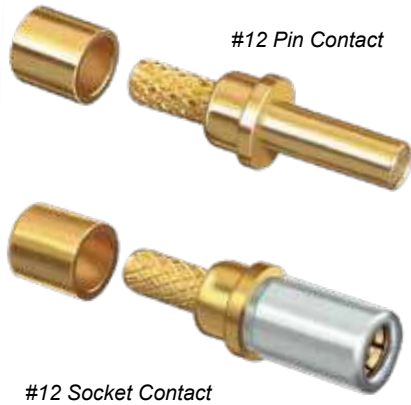


SERIES 80 Mighty Mouse connectors



Size #12, 3 GHz Max Operating Frequency,
Matched Impedance, 50 Ohm Coax Contacts

CABLE INFORMATION FOR SIZE #12, 50 OHM MATCHED IMPEDANCE COAXIAL CONTACTS



These contacts offer improved frequency response compared to standard coaxial contacts above. VSWR is 1.32:1 at 3GHz. Nominal impedance is 50 Ohms. Insertion loss at 3GHz is 0.20 dB maximum. Inner contact is rated at 1 amp, the outer contact 12 amps. DWV voltage rating is 1000 Vac rms sea level, 250 VAC at 50,000 feet. Contacts are packaged individually and shipped unassembled with instruction sheet. Inner and outer contacts are gold-plated copper alloy. 5000 megOhm insulation resistance.

Contact Type	Cable Type	Part Number	Termination	Fig.
Pin	M17/113-RG316	852-016-01	Crimp	1
Pin	M17/152-00001(RG316DS)	852-016-02	Crimp	1
Pin	M17/93-RG178	852-016-03	Crimp	1
Pin	TFLEX-405	852-018	Solder	2
Socket	M17/113-RG316	852-015-01	Crimp	3
Socket	M17/152-00001(RG316DS)	852-015-02	Crimp	3
Socket	M17/93-RG178	852-015-03	Crimp	3
Socket	TFLEX-405	852-017	Solder	4

Contact	Inner Contact		Outer Contact		Installation Tool	Removal Tool
	Crimp Tool	Positioner	Crimp Tool	Hex Die		
852-016-01, -02 852-015-01, -02	809-128	859-006	809-129 (M22520/5-01)	809-130 (M22520/5-03)	M81969/8-07	M81969/8-07
852-016-03 852-015-03	809-128	859-124	809-129 (M22520/5-01)	809-130 (M22520/5-03)	M81969/8-07	M81969/8-08

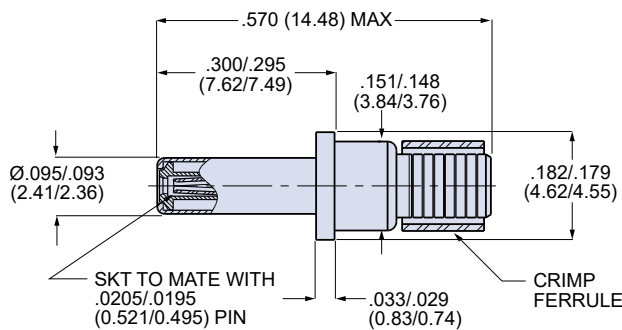


Figure 1

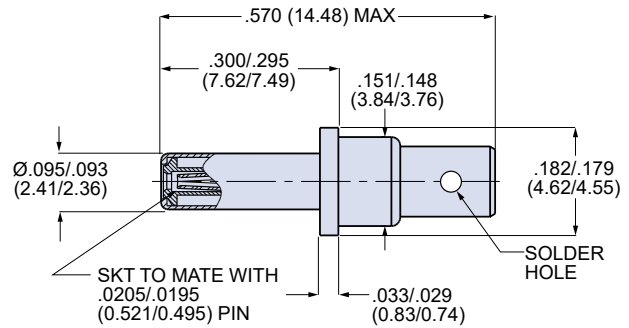


Figure 2

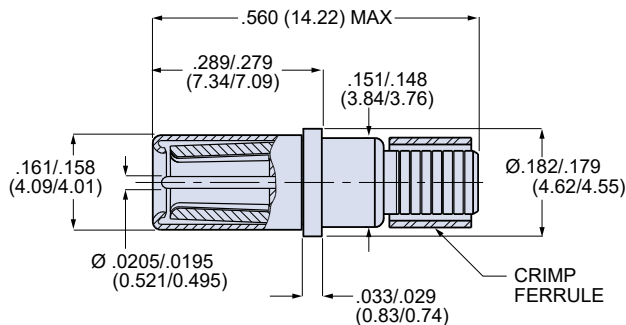


Figure 3

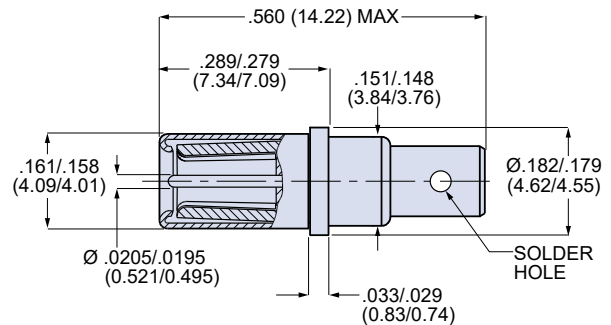


Figure 4



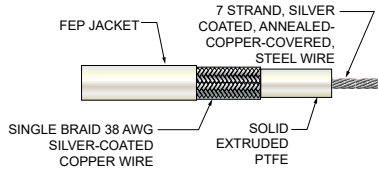
SERIES 80 Mighty Mouse connectors



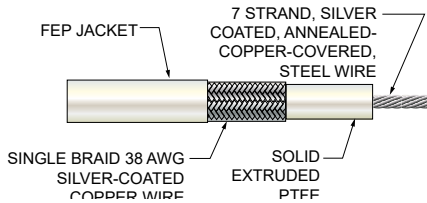
Size #12, 3 GHz Max Operating Frequency, Matched Impedance, 50 Ohm Coax Contacts

CABLE INFORMATION FOR SIZE #12, 50 OHM MATCHED IMPEDANCE COAXIAL CONTACTS

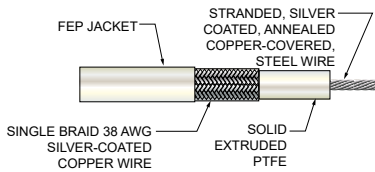
M17/113 RG316



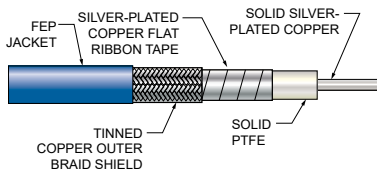
M17/152-00001



M17/093 RG178

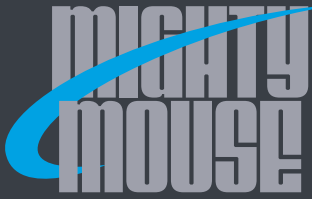


TFLEX-405



Military Part Number	RG316 (M17/113-RG316)	RG316DS (M17/152-00001)	RG178 (M17/093-RG178)	TFLEX-405
Impedance	50	50	50	50
Velocity of Propagation %	69.5	69.5	69.5	69.5
Capacitance (pF/ft)	32.0	32.0	32.0	29.3
Conductor Diameter	.0201 (0.51)	.0201	.012	.0201
Conductor Type	7 Strand SC ² , ACC ³ Steel Wire	7 Strand SC ¹ , ACC ² Steel Wire	7 Strand SC ¹ , ACC ² Steel Wire	Solid Silver-Plated Copper
Dielectric Diameter	.060 (1.52)	.060 (1.52)	.033 (0.84)	.0064 (0.16)
Inner Shield Coverage	95.2% nom.	95.4% nom	95.9% nom	--
Inner Shield	N/A	N/A	N/A	Silver-Plated Copper Flat Ribbon Tape
Outer Shield Diameter	.081 (2.06)	.096 (2.44)	.054 (1.37)	.085 (2.16)
Outer Braid Coverage	94.6% nom.	94.6% nom	N/A	--
Jacket	Extruded FEP Transparent	Extruded FEP Transparent	Extruded FEP Transparent	Teflon FEP Color: Blue
Outer Diameter	.098 (2.49)	.114 (2.90)	.071 (1.80)	.104 (2.64)
Weight	1.22 lbs/100ft	1.85 lbs/100ft	.625 lbs/100ft	.015 lbs/ft
Temperature Range	-55° to +200°C	-55° to +200°C	-55° to 200°C	-65°C to +125°C
Frequency	Attenuation (dB/100 ft) nominal			
50 MHz	7.5	7.5	11.6	
100 MHz	11		16	6.4
400 MHz	21		33	13.1
500 MHz		26		
1 GHz	38	40	52	21.1
3.0 GHz	58	75	94	38.0
10.0 GHz		170		75.0
12.4 GHz		230		
13500				41.0
16000				46.0
18000				50.0

1. SC = silver coated 2. ACC = annealed-copper-covered



SERIES 80 Mighty Mouse connectors



Size #12, 3 GHz Max Operating Frequency, Matched Impedance, 75 Ohm Coax Contacts

SIZE #12, 75 OHM MATCHED IMPEDANCE COAXIAL CONTACTS



Pin Contact

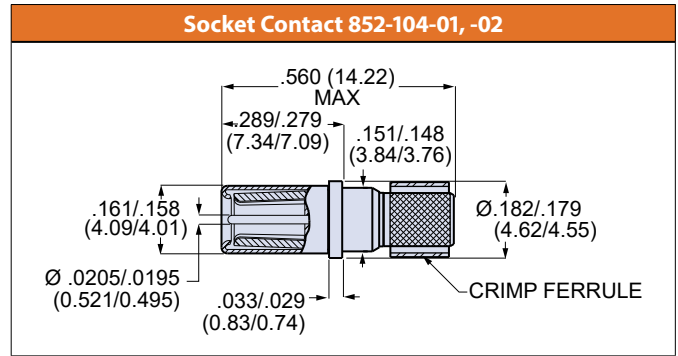
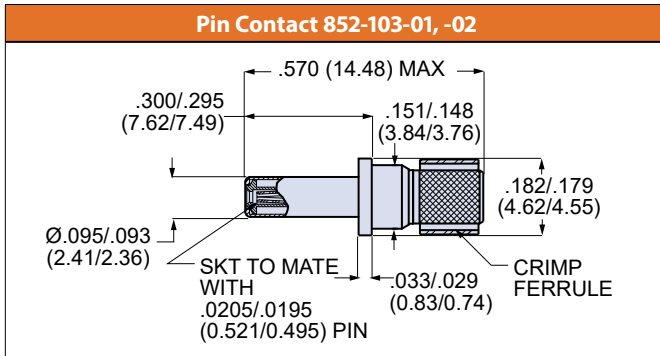


Socket Contact

75 Ohm coax contacts provide DC – 3 GHz frequency range. Crimp termination. Supplied as unassembled kit with contact body, center contact and outer ferrule. Snap-in, rear-release contacts fit Glenair Series 80 Mighty Mouse connectors with size 12 contact cavities. Gold-plated copper alloy, fluoroplastic insulator.

Size 12, 75 Ohm Matched-Impedance Coaxial Contacts			
RG Cable	Pin Contact	Socket Contact	Assembly Instructions
RG179 (M17/94-RG179)	852-103-02	852-104-02	AI85075
V75268, V76261, V73263 (PIC™ Wire and Cable)	852-103-01	852-104-01	AI85024

Technical Data	
Specifications	Construction
<ul style="list-style-type: none"> Operating temperature: -65°C. to +200°C. Dielectric withstanding voltage: 500 VRMS Current rating: 1 ampere VSWR: 1.25:1 max. @ 3 GHz Impedance: 75 Ohms nominal Durability: 500 mating cycles Shock: EIA-364-27 condition D Vibration: EIA-364-28 condition VI, letter J 	<ul style="list-style-type: none"> Center contact, body, crimp sleeve: copper alloy, 50 microinches gold over nickel plating Insulator: fluoroplastic Socket Hood: stainless steel, passivated



Crimp Tools, Installation/Removal Tool, Assembly Instruction Sheet						
Contact Part Number	Crimp Tools				Insertion/ Removal Tool	Assembly Instruction Sheet
	Inner Contact		Shield Crimp Sleeve			
	Crimper	Positioner	Crimper	Positioner		
852-103-01	809-128 (MH992)	859-006 (K1721)	809-133 (M22520/31-01)	859-128 (GP959)	809-132 (M81969/14-04)	AI85075
852-103-02	809-128 (MH992)	859-006 (K1721)	809-129 (M22520/5-01)	809-130 (M22520/5-03)	809-132 (M81969/14-04)	AI85024
852-104-01	809-128 (MH992)	859-006 (K1721)	809-133 (M22520/31-01)	859-128 (GP959)	809-132 (M81969/14-04)	AI85075
852-104-02	809-128 (MH992)	859-006 (K1721)	809-129 (M22520/5-01)	809-130 (M22520/5-03)	809-132 (M81969/14-04)	AI85001



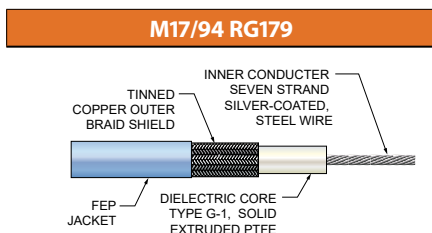
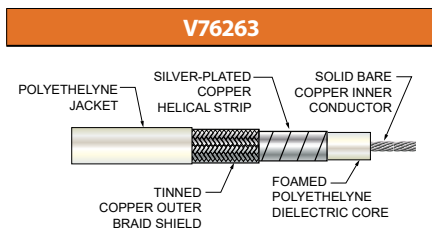
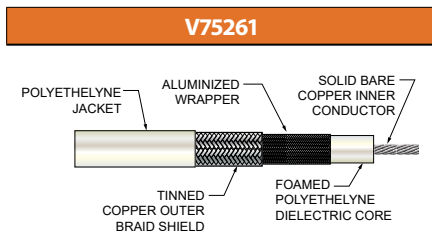
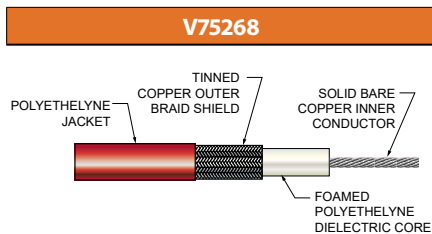
SERIES 80 Mighty Mouse connectors



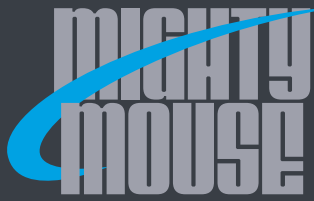
Size #12, 3 GHz Max Operating Frequency, Matched Impedance 75 Ohm Coax Contacts

CABLE INFORMATION FOR SIZE #12, 75 OHM MATCHED IMPEDANCE COAXIAL CONTACTS

Coax contacts 852-103 and 852-104 are designed for use with V75268, V76261, V73263 PIC wire and RG179. V75268 and V75261 coaxial cable can be used in cabin entertainment analog and digital video applications. V75263 cable is suitable for high definition digital video and offers low VSWR and attenuation characteristics. Manufactured by PIC Wire, these cables are Skydrol resistant, RoHS compliant and meets the FAA flammability requirements of FAR Part 23 and 25, Appendix F; complies with MIL-C-17 as applicable



Glenair Part No.	960-130	960-131	960-132	N/A
Manufacturer Part No.	V75268	V76261	V73263	N/A
Military Part Number	N/A	N/A	N/A	RG179 (M17/94-RG179)
Manufacturer	PIC	PIC	PIC	MIL-SPEC
Impedance	75	75	75	75
Velocity of Propagation %	80.0	80.0	80.0	69.5
Capacitance (pF/ft)	16.0	16.0	16.0	23.0
Conductor Wire Size	AWG 26	AWG 26	AWG 26	.012 (0.30)
Conductor Type	Stranded SPC	Stranded SPC	Stranded SPC	Stranded SPC
Dielectric	Foamed Fluoropolymer	Foamed Fluoropolymer	Foamed Fluoropolymer	Extruded PTFE
Shielding Effectiveness (dB)	-50 min	-90	-110	N/A
Outer Diameter	0.12 (3.10)	0.12 (3.10)	0.13 (3.18)	.100 (2.54)
Weight (lbs/100ft.)	1.3	1.1	1.5	.0108
Temperature Range	-55° to +150°C	-55° to +150°C	-55° to +150°C	-55° to +200°C
Frequency	Attenuation (dB/100 ft) nom/max			
135 MHz	5.9/6.5	5.8/6.4		
180 MHz	6.9/7.6	6.7/7.4		
270 MHz	8.6/9.5	8.3/9.1		
360 MHz	10.1/11.1	9.7/10.6		
400 MHz			10.2/11.3	21.0 nominal
750 MHz			14.2/15.7	
1.45 GHz		21.9/23.4	21.9/23.4	
1.5 GHz			20.6/22.7	
3.0 GHz		33.7/36.1	30.3/33.3	
6.0 GHz			44.9/49.5	



SERIES 80 Mighty Mouse connectors



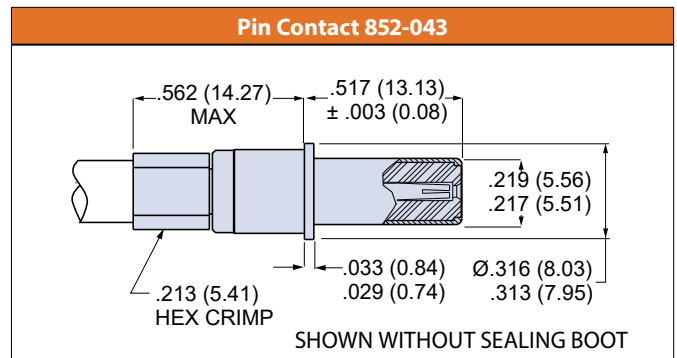
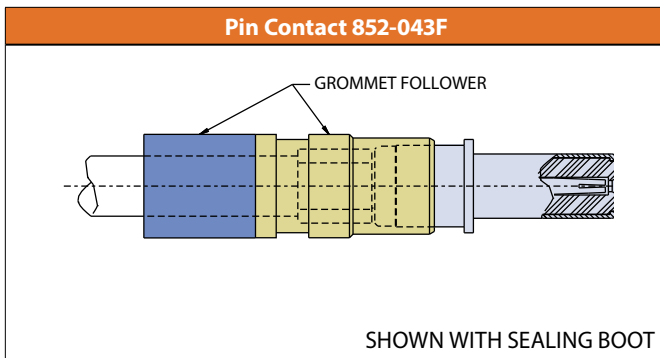
Size #8, 2.5 GHz Max Operating Frequency, 50 Ohm Coax Contacts

SIZE #8 50 OHM CONTACTS FOR LOW LOSS HIGH PERFORMANCE COAX CABLE



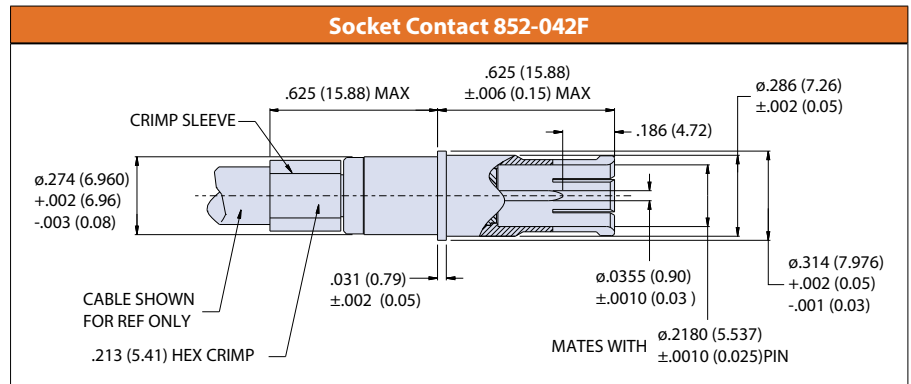
Coax contacts fit Glenair Series 80 Mighty Mouse connectors and MIL-DTL-38999 Series I, III, and IV connectors with size 8 contact cavities. 50 Ohm nominal impedance. 0-2.5 GHz frequency range. Solder conductor to center contact, shield termination is crimp type. Supplied as unassembled kit with contact body, center contact, outer ferrule and sealing boot. Contacts are snap-in, rear release with plastic extraction tool. Gold-plated copper alloy, Fluoropolymer insulator. See following page for information on coaxial cable.

Fig.	Contact Type	Part Number Contact Only	Part Number Contact and Sealing Boot	Sealing Boot
Fig.1	Pin	852-043	852-043F	859-042-02
Fig.2	Socket	852-042	852-042F	859-042-02

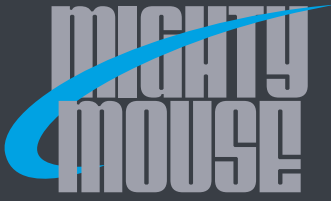


Materials, Finishes	
Contact body, center contact, ferrule	Copper Alloy
Contact finish	50 microinches gold over nickel plating
Dielectric	Fluorocarbon

Contact Crimp and Removal Tools		
Description	Glenair P/N	Military P/N
Inner Contact	Solder Terminated	
Outer Contact Crimp Tool	809-129	M22520/5-01
Outer Contact Hex Die	859-051	M22520/5-05
Contact Removal Tool	859-049	M81969/14-12



Technical Data	
Specifications	Construction
<ul style="list-style-type: none"> Nominal Impedance: 50 Ohms Frequency Range: 0 – 2.5 GHz Dielectric Withstanding Voltage: 1300 VAC sea level, 250 VAC at 50,000 feet Insulation Resistance: 5000 megOhms minimum Durability: 500 mating cycles 	<ul style="list-style-type: none"> Center contact: copper alloy/ gold plated Body: copper alloy/ gold plated Ferrule: copper alloy/ gold plated Insulator: PTFE / N.A.



SERIES 80 Mighty Mouse Connectors



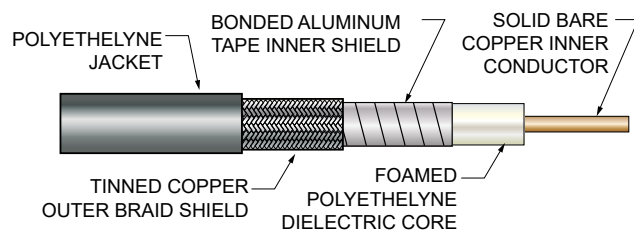
Size #8, 2.5 GHz Max Operating Frequency, 50 Ohm Coax Contacts

CABLE INFORMATION (REFERENCE ONLY, NOT SOLD BY GLENAIR) FOR SIZE #8 50 OHM CONTACTS

Coax contacts 852-042 and 852-043 are designed for use with LLSB-200 and LMR-195 cable. This low loss, flexible cable is suitable for shipboard, airframe and tactical vehicles. Manufactured by Times Microwave, these cables are qualified to MIL-DTL-17/220. LMR-197 is a drop-in replacement for RG-58 and RG142 (TLMR is not QPL). Jacket is non-halogen, low smoke black UV resistant cross-linked polyethylene.

Manufacturer Part No.	LLSB-200	LMR-195
Military Part Number	M17/220-00001	M17/ RG-58 or RG142
Impedance	50 ± 2	50
Velocity of Propagation %	80	80
Capacitance (pF/ft)	24.5	25.4
Conductor Type	Bare Copper	Bare Copper
Conductor Diameter	.044 (1.12)	.037 (.94)
Dielectric Diameter	.118 (3.0)	.110 (2.79)
Outer Shield Diameter	.144 (3.66)	.116 (2.95)
Shielding Effectiveness (dB)	90 min.	90 min
Outer Diameter	.195 (4.95)	.195 (4.95)
Temperature Range	-30° to +85°C	-40° to +85°Cw
Weight (lbs/ft.)	.037	.021
Attenuation (dB/100 ft)	nominal	
10 MHz	1.3	
30 MHz	2.1	2.0
50 MHz	2.7	2.5
100 MHz	3.8	
150 MHz		4.4
400 MHz	7.7	
450 MHz		7.8
900 MHz		11.1
1 GHz	12.0	
1.5		14.5
2.5 GHz	20.0	19.0

LLSB-200 and LMR-195 Cable



NOTE

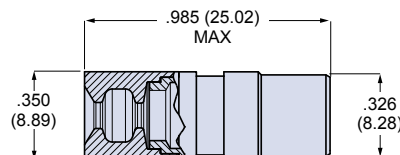
- 852-043 / -042 can be used / terminated on both cables LLSB-200 and LMR-195

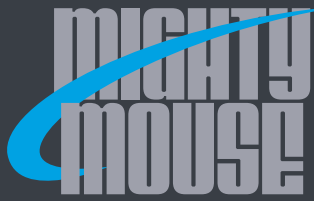
CONTACTS AND TOOLS

Sealing Boot

Optional sealing boot is recommended. Slide boot onto wire before terminating contact. After contact is installed in connector, slide boot forward into connector grommet to seal the contact cavity. "F" suffix on contact part number specifies contact supplied with 859-042-02 sealing boot.

Sealing Boot Dimensions		
Wire Dia. (in.)	Wire Dia. (mm.)	Part Number
.130 - .170	3.30 - 4.32	859-042-02





SERIES 80 Mighty Mouse Connectors



Size #8, 3 GHz Max Operating Frequency,
50 Ohm Coax Contacts

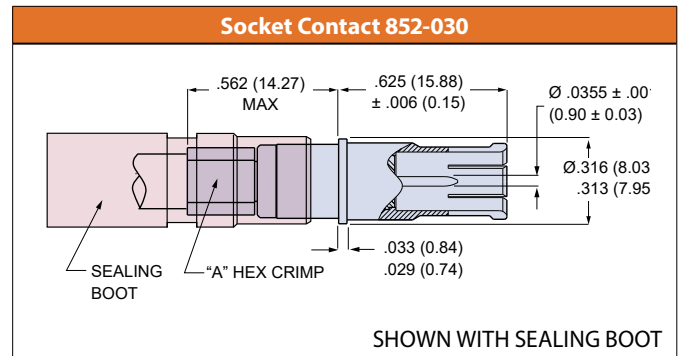
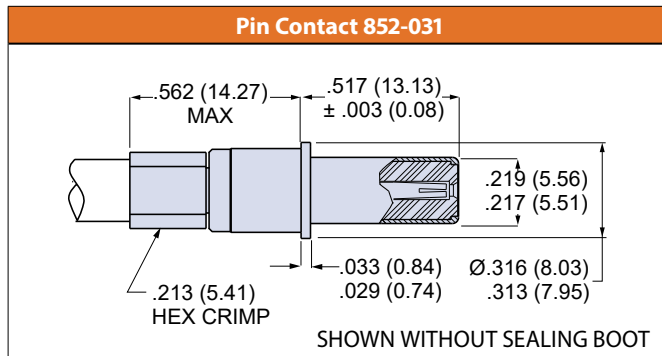
SIZE #8 COAXIAL CONTACTS FOR M17/152-00001, M17/113-RG316, M17/060-RG142, F M17/128-RG400, AND M17/28-RG58 CABLES



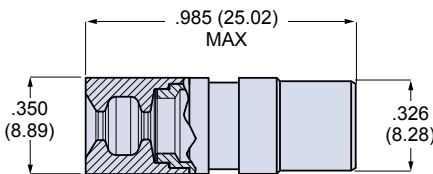
Pin Contact

Socket Contact

Dash Number	Cable Accommodation	"A" Hex	"B" Hex	Pin Part No.	Socket Part No.
-01	M17/152-00001 (RG316DS)	.128	-	852-031 no sealing boot	852-030 no sealing boot
-02	M17/113-RG316	.128	-		
-03	M17/060-RG142 M17/128-RG400	-	.218	852-031F with sealing boot	852-030F with sealing boot
-04	M17/28-RG58	-	.218		



Wire Dia. (in.)	Wire Dia. (mm.)	Part Number
.090 - .130	2.3 - 3.3	859-042-01
.130 - .170	3.3 - 4.3	859-042-02
.170 - .205	4.3 - 5.2	859-042-03



Contact Crimp and Removal Tools		
Description	Glenair P/N	Military P/N
Crimp Tool For -01, -02		
Center Contact	Solder	
Outer Shield	M22520/5-01	
Die Set	M22520/5-03	
Crimp Tool For -03		
Center Contact	Solder	
Outer Shield	M22520/5-101	
Die Set	M22520/5-45	

Sealing Boot	
Contact Part No.	Sealing Boot
852-031-01F	859-042-01
852-030-01F	859-042-01
852-031-02F	859-042-01
852-030-02F	859-042-01
852-031-03F	859-042-03
852-030-03F	859-042-03
852-031-04F	859-042-03
852-030-04F	859-042-03

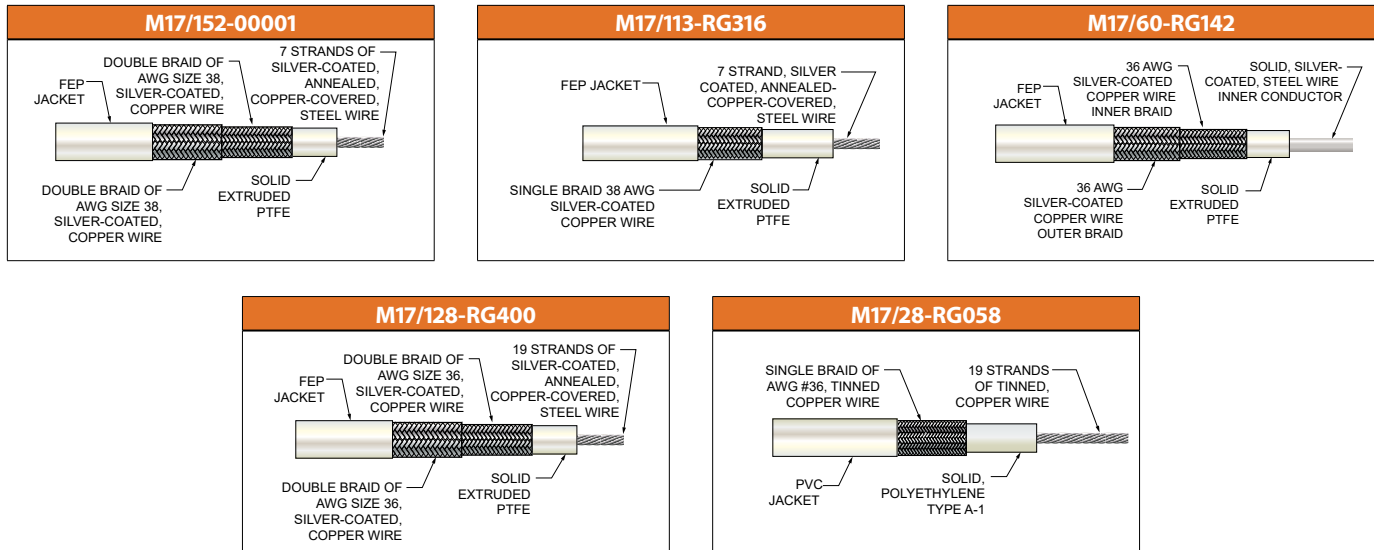


SERIES 80 Mighty Mouse Connectors



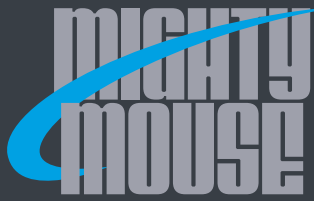
Size #8, 3 GHz Max Operating Frequency, 50 Ohm Coax Contacts

SIZE #8 COAXIAL CONTACT 50 OHM CABLE



Military Part Number	M17/152-00001 (RG316DS)	M17/113-RG316	M17/060-RG142	M17/128-RG400	M17/28-RG058					
Impedance (Ohms)	50	50	50	50	50					
Velocity of Propagation %	69.5	69.5	69.5	69.5	69.5					
Capacitance (pF/ft)	32.0	32.0	29.3	32	32.2					
Conductor Wire Size	Seven Strands of Silver-Coated, Annealed Copper-Covered, Steel Wire. OD: 0.0201 ± .0010		Solid Silver-Coated, Steel Wire. OD: 0.0201 ± .0010	Solid Silver-Coated Steel Wire OD: 0.037 ± .001	19 Strands of Tinned Copper Wire OD: 0.0355 ± 0.0020					
Dielectric Core	Type F-1: Solid, Extruded PTFE	Type F-1: Solid, Extruded PTFE	Type F-1: Solid, Extruded PTFE	Type F-1: Solid, Extruded PTFE	Type A-1: Solid Polyethylene					
First Shield	38 AWG Silver-Coated Copper Wire 95.4% Nom. Coverage	38 AWG Silver-Coated Copper Wire 95.2% Nom. Coverage	36 AWG Silver-Coated Copper Wire 94.8% Nom. Coverage	36 AWG Silver-Coated Copper Wire 94.8% Nom. Coverage	Single Braid of 36 AWG Tinned Copper Wire 92.8% Nom. Coverage					
Second Shield	38 AWG Silver-Coated Copper Wire 94.6 Nom. Coverage	N/A	36 AWG Silver-Coated Copper Wire 93.1 Nom. Coverage	36 AWG Silver-Coated Copper Wire 93.6% Nom. Coverage	N/A					
Shielding Effectiveness (dB)	40 to 60 dB range acceptable for lower frequency applications									
Jacket	Type IX: FEP	Type IX: FEP	Type IX: FEP	Type IX: FEP	Type IIA: PVC					
Outer Diameter	.114 (2.90) ±.004 (.10)	.098 (2.49) ±.004 (.10)	.195 (4.95) ±.005 (0.13)	.195 (4.95) ±.005 (0.13)	.195 (4.95) ±.004 (0.10)					
Temperature Rating	-55°C to +200° C	-55°C to +200° C	-55°C to +200°C	-55°C to +200°C	-40°C to +85°C					
Weight	1.85 (lbs/100 ft.)	1.22 (lbs/ft.)	.043 (lbs/ft.)	5 (lbs/100 ft.)	.026 (lbs/ft.)					
Max. Attenuation	Freq. (MHz)		Freq. (MHz)		Freq. (MHz)		Freq. (MHz)		Freq. (MHz)	
	50	7.5	50 MHz	30	50 MHz	3.0	50 MHz	3.2	50 MHz	4.0
	500	26	100 MHz	30	100 MHz	4.4	100 MHz	4.5	100 MHz	6.5
	1,000	40	400 MHz	23	400 MHz	9.3	400 MHz	10.5	400 MHz	17.0
	3,000	75	1000 GHz	21	1000 MHz	15.3	1,000 MHz	17	1000 MHz	28.0
	10,000	170	3000 GHz	17	3000 MHz	29.3	3,000 MHz	38		
	12,400	230			8000 MHz	57.8	10,000 MHz	78		
					12400 MHz	85.4	12,400 MHz	90		

CONTACTS AND TOOLS



SERIES 80 Mighty Mouse Connectors



Size #8, 4 GHz Max Frequency, 75 Ohm Low-Loss Matched-Impedance Coax Contacts

SIZE #8 COAXIAL CONTACTS



852-056
Pin Contact



852-057
Socket Contact



852-082
Pin Contact

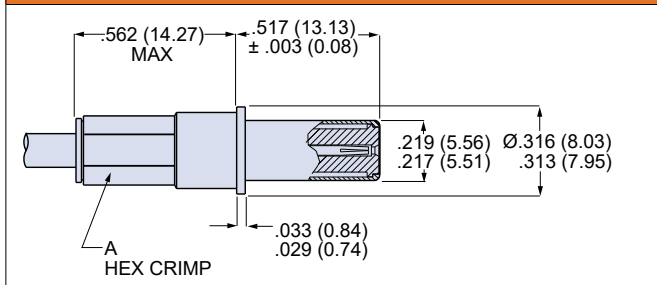


852-083
Socket Contact

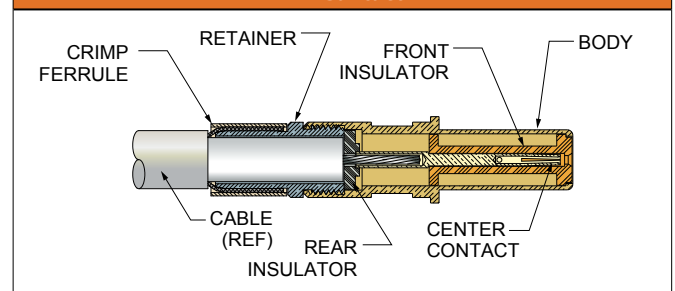
Size 8 coax contacts fit aerospace-grade digital video cable. 75 Ohm nominal impedance. 0-4 GHz frequency range. Crimp termination. Supplied as unassembled kit with contact body, center contact, outer ferrule and sealing boot. These snap-in, rear-release contacts fit Glenair Series 80 Mighty Mouse connectors with size 8 contact cavities. Gold-plated copper alloy, fluoroplastic insulators.

Size 8, 75 Ohm Matched-Impedance Coaxial Contacts						Hex A Crimp Dim
Cable	Contact without Sealing Boot		Contact with Sealing Boot		Sealing Boot	
	Pin	Socket	Pin	Socket		
960-130 (V7568) 960-131 (V76261) 960-132 (V73263)	852-056-01	852-057-01	852-056-01F	852-057-01F	859-042-01	.218 (5.54)
RG179 (M17/94-RG179)	852-056-02	852-057-02	852-056-02F	852-057-02F	859-042-01	.128 (3.25)
V78209 (PIC™ Wire and Cable)	852-082-01	852-083-01	852-082-01F	852-083-01F	687-754-8-8	.231 (5.87)
LMR-240-75 (Times Microwave)	852-082-02	852-083-02	852-082-02F	852-083-02F	687-754-8-9	.231 (5.87)

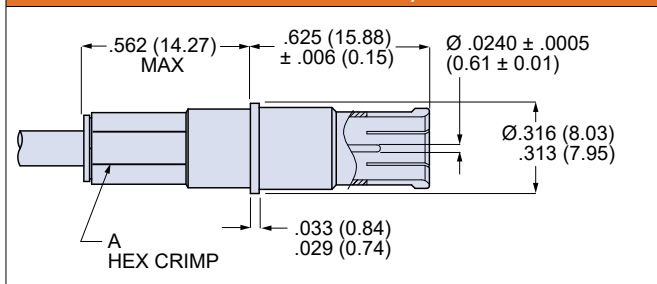
Pin Contact 852-056-01/-02, 852-082-01/-02



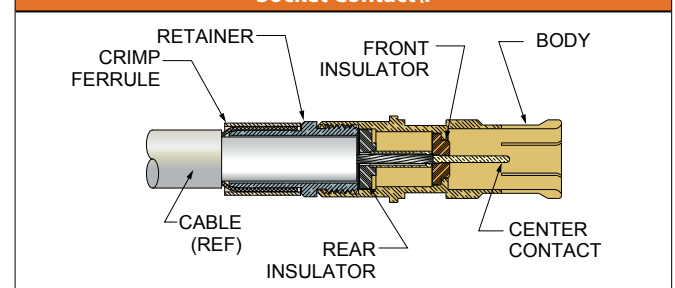
Pin Contact

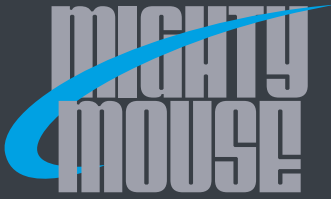


Socket Contact 852-057-01/-02, 852-083-01/-02



Socket Contact





SERIES 80 Mighty Mouse Connectors



Size #8, 4 GHz Max Frequency, 75 Ohm Low-Loss Matched-Impedance Coax Contacts

SIZE #8 COAXIAL CONTACT CRIMP TOOLS AND SEALING BOOT

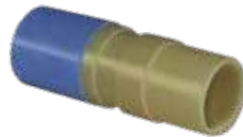
Crimp Tools, Removal Tool, Assembly Instruction Sheet						
Contact Part Number	Crimp Tools				Removal Tool	Assembly Instruction Sheet
	Inner Contact		Shield Crimp Sleeve			
	Crimper	Positioner	Crimper	Hex Die		
852-056-01	809-015 (M22520/2-01)	809-240 (M22520/2-37)	809-129 (M22520/5-01)	859-047 (M22520/5-45)	859-049 (M81969/14-12)	AI85028
852-057-01	809-015 (M22520/2-01)	809-240 (M22520/2-37)	809-129 (M22520/5-01)	859-047 (M22520/5-45)	859-049 (M81969/14-12)	AI85028
852-056-02	809-015 (M22520/2-01)	809-240 (M22520/2-37)	809-129 (M22520/5-01)	809-130 (M22520/5-03)	859-049 (M81969/14-12)	AI85059
852-057-02	809-015 (M22520/2-01)	809-240 (M22520/2-37)	809-129 (M22520/5-01)	809-130 (M22520/5-03)	859-049 (M81969/14-12)	AI85059
852-082	809-015 (M22520/2-01)	809-240 (M22520/2-37)	809-129 (M22520/5-01)	859-047 (M22520/5-45)	859-049 (M81969/14-12)	AI85060
852-083	809-015 (M22520/2-01)	809-240 (M22520/2-37)	809-129 (M22520/5-01)	859-047 (M22520/5-45)	859-049 (M81969/14-12)	AI85036

Technical Data
Specifications <ul style="list-style-type: none"> Operating temperature: -65°C. to +200°C. Dielectric withstanding voltage: 500 Vac rms at sea level Current rating: 1 ampere VSWR: 1.25:1 max. @ 4 GHz 75 Ohm nominal impedance Durability: 500 mating cycles Shock: EIA-364-27 condition D Vibration: EIA-364-28 condition VI, letter J
Construction <ul style="list-style-type: none"> Center contact, body, retainer, clamp nut, ferrule: copper alloy, 50 microinches gold over nickel plating Front and rear insulator: fluoropolymer Sealing boot: fluorosilicone rubber, glass-filled PEI

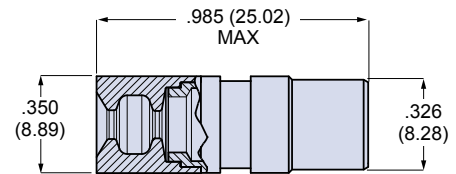
Sealing Boot

Optional sealing boot is recommended. Slide boot onto wire before terminating contact. After contact is installed in connector, slide boot forward into connector grommet to seal the contact cavity. "F" suffix on contact part number specifies contact supplied with sealing boot.

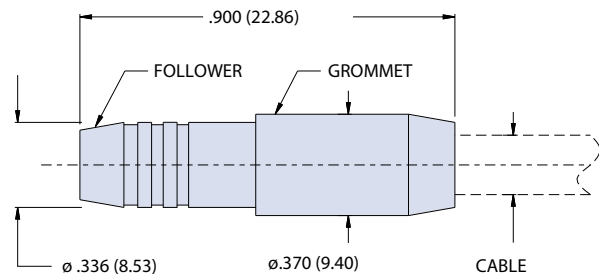
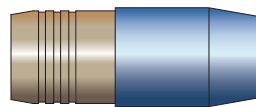
Sealing Boot 859-042-01

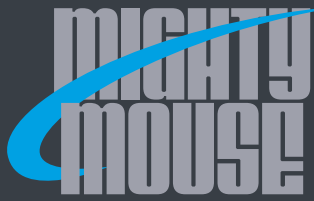


Sealing Boot Dimensions		
Wire Dia. (in.)	Wire Dia. (mm.)	Part Number
.090 - .130	2.3 - 3.3	859-042-01
.200 - .225	5.08 - 5.715	687-754-8-8
.225 - .240	5.715 - 6.096	687-754-8-9



Sealing Boot 687-754-8-8/-9





SERIES 80 Mighty Mouse Connectors

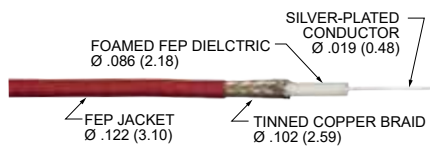


Size #8, 4 GHz Max Frequency, 75 Ohm Low-Loss Matched-Impedance Coax Contacts

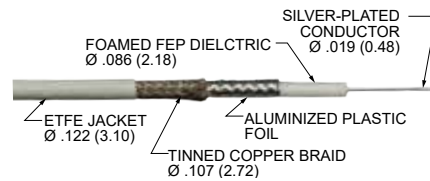
SIZE #8 COAXIAL CONTACT 75 OHM CABLE

PIC™ brand video cable is specially designed and manufactured for reliable performance in aircraft systems and other harsh environments involving high temperature, EMI and corrosive materials. Improved strength, lower attenuation, and better shielding compared with M17/94-RG179. Silver-plated conductor, foamed FEP dielectric, tinned copper braid, FEP or ETFE jacket. Skydrol resistant, RoHS compliant, meets FAA FAR Parts 23 and 25, Appendix F flammability, complies with MIL-DTL-17.

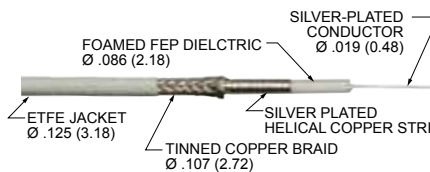
PIC™ V75268



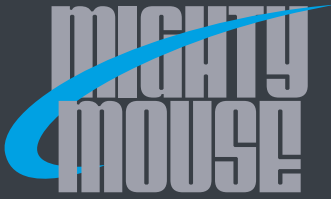
PIC™ V76261



PIC™ V73263



Glenair Part No.	960-130	960-131	960-132			
Manufacturer Part No.	V75268	V76261	V73263			
Manufacturer	Picwire	Picwire	Picwire			
Impedance (Ohms)	75	75	75			
Velocity of Propagation %	80	80	80			
Capacitance (pF/ft)	16.0	16.0	16.0			
Conductor Wire Size	AWG 26 Stranded SPC	AWG 26 Stranded SPC	AWG 26 Stranded SPC			
Outer Diameter	0.12 (3.10)	0.12 (3.10)	0.13 (3.18)			
Dielectric	Foamed Fluoropolymer	Foamed Fluoropolymer	Foamed Fluoropolymer			
First Shield	Tinned copper braid, 95% coverage					
Second Shield	None	Aluminized film, 100% coverage	Silver plated helical copper strip, 100%			
Shielding Effectiveness (dB)	50	90	110			
Video Application	RS170	RS170	SMPTE 292M			
Temperature Rating	-65° to +165° C	-65° to +165° C	-65° to +165° C			
Weight (lbs/100 ft.)	1.2 lbs	1.1 lbs	1.5 lbs			
Time Delay	1.28	1.28	1.28			
Attenuation (dB/100 ft)	Nominal	Max.	Nominal	Max.	Nominal	Max.
1 MHz	0.51	0.55	0.49	0.52	0.43	0.58
10 MHz	1.70	1.77	1.6	1.71	1.4	1.6
100 MHz	5.3	5.7	5.1	5.5	4.5	5.0
400 MHz	11.1	11.8	10.6	11.3	9.6	10.6
1.45 GHz	23.0	24.6	21.9	23.4	20.0	22.0
3 GHz	35.0	37.4	33.7	36.1	30.9	34.0



SERIES 80 Mighty Mouse Connectors

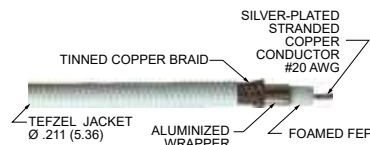


Size #8, 4 GHz Max Frequency, 75 Ohm Low-Loss Matched-Impedance Coax Contacts

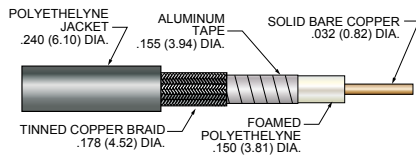
SIZE #8 COAXIAL CONTACT 75 OHM CABLE

PIC™ brand video cable is specially designed and manufactured for reliable performance in aircraft systems and other harsh environments involving high temperature, EMI and corrosive materials. Improved strength, lower attenuation, and better shielding compared with M17/94-RG179. Silver-plated conductor, foamed FEP dielectric, tinned copper braid, FEP or ETFE jacket. Skydrol resistant, RoHS compliant, meets FAA FAR Parts 23 and 25, Appendix F flammability, complies with MIL-DTL-17.

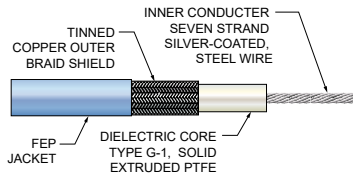
PIC™ V78209



LMR®-240-75

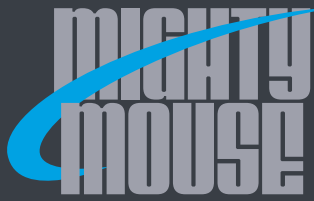


M17/94 RG179



Glenair Part No.	962-007	N/A	N/A			
Manufacturer Part No.	V78209	LMR-240-75	N/A			
Military Part Number	N/A	N/A	M17/94-RG179			
Manufacturer	PIC™	Times Microwave	MIL-SPEC			
Impedance (Ohms)	75	75	75 ±3			
Velocity of Propagation %	80	84	69.5			
Capacitance (pF/ft)	16.5	16.1	23			
Conductor Wire Size	20 AWG Stranded SPC	.032 (.82)	.0040 (0.10)			
Outer Diameter	.21 (5.36)	.240 (6.10)	.100 (2.54)			
First Shield	Tin-Coated Braid	Tin-Coated Braid	7 strand SC ¹ , ACC ² , steel wire			
Second Shield	Aluminized film, 100% coverage	Aluminized film, 100% coverage	None			
Temperature Rating	-55° to +150° C	-40° to +85° C	-55° to +200° C			
Weight (lbs/100 ft.)	3.0	3.4	.012 (lbs/ft.)			
Max. Attenuation	Freq.	dB/100 ft	Freq.	dB/100 ft	Freq.	dB/100 ft
	1 MHz	0.4	50 MHz	1.6		
	10 MHz	0.9	450 MHz	5.0		
	100 MHz	3.0	900 MHz	7.2	4 GHz	21.0
	400 MHz	6.1	1.5 GHz	9.4		
	1.45 GHz	13.6	2.0 GHz	10.9		
	3 GHz	25.0	2.5 GHz	12.3		

1. SC = silver coated
2. ACC = annealed copper covered



SERIES 80 Mighty Mouse Connectors



Size #8 Coax Contacts, for 95 Ohm Cable

SIZE #8 COAXIAL CONTACTS



Fig. 1
Pin Contact
852-007-08-367

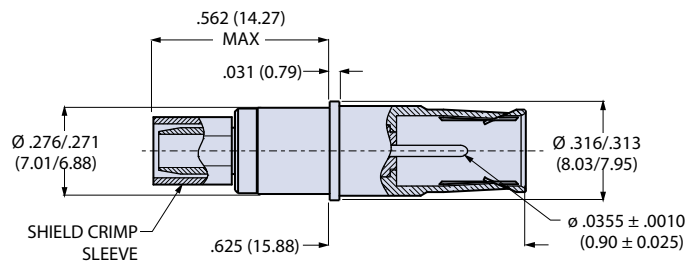


Fig. 2
Socket Contact
852-006-08-366

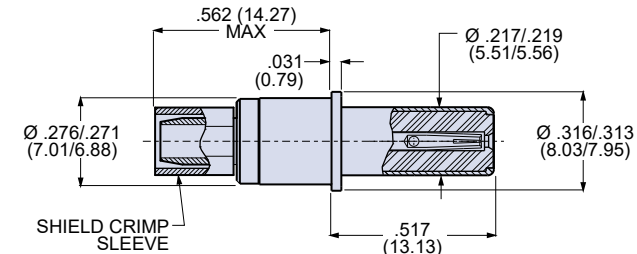
Coax contacts accept M17/095-RG180 cable. These snap-in, rear release contacts fit Glenair Series 80 Mighty Mouse connectors and Glenair MIL-DTL-38999 Series I, III, and IV connectors with size #8 cavities. Crimp termination. Gold-plated copper alloy, Fluoropolymer insulator. Supplied unassembled. Order sealing boot separately (fig. 3). 1 A current rating, 500 Vac. SAE AS39029 qualified.

Fig.	Item	Cable Accommodation	Part Number	AS39029 Part Number	Color Bands		
					1st	2nd	3rd
Fig. 1	Pin	M17/095-RG180	852-007-08-367	M39029/60-367	Orn	Blu	Vio
Fig. 2	Socket	M17/095-RG180	852-006-08-366	M39029/59-366	Orn	Blu	Blu
Fig. 3	Sealing Boot	M17/095-RG180	859-042-02	N/A			

Pin Contact 852-007



Socket Contact 852-006



Contact Crimp and Removal Tools

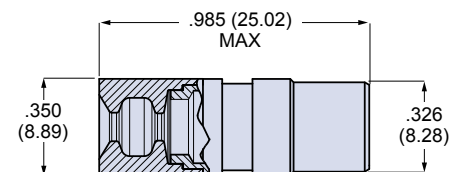
Description	Glenair P/N	Military P/N
Inner Contact, Crimp Tool	809-015	M22520/2-01
Inner Contact, Positioner	859-050	M22520/2-31
Outer Shield Crimp Tool	809-129	M22520/5-01
Outer Shield Hex Die	859-051	M22520/5-05
Contact Installation Tool	--	M81969/8-13 or hand installation
Contact Removal Tool	859-022	M81969/14-06

Sealing Boot

Sealing boot is ordered separately. Slide boot onto wire before terminating contact. After contact is installed in connector, slide boot forward into connector grommet to seal the contact cavity.



Wire Dia. (in.)	Wire Dia. (mm.)	Part Number
.130 - .170	3.3 - 4.3	859-042-02





SERIES 80 Mighty Mouse Connectors

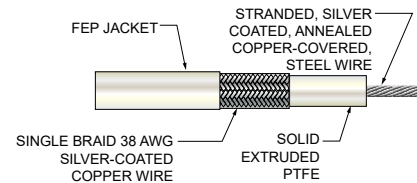


Size #8 Coax Contacts, for 95 Ohm Cable

SIZE #8 COAXIAL CONTACT 95 OHM CABLE

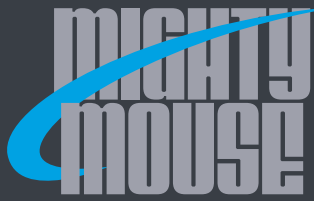
Material and Finish	
Contact Body, Center Contact, Ferrule	Copper Alloy, Gold Plated
Insulator	PTFE
Sealing Boot Grommet	Fluorosilicone
Grommet Follower	Polyetherimide

M17/95-RG180



Contact Specifications	
Current Rating	1 ampere
Contact Resistance, Inner Contact	120 millivolt max. voltage drop @ 1 ampere
Contact Resistance – Outer Contact	60 millivolt max. voltage drop @ 12 amperes
Dielectric Withstanding Voltage	1300 Vrms Sea Level, 250 Vrms at 50,000 feet
Temperature Range	-65°C to +200°C
Durability	500 mating cycles
Corrosion	EIA-364-26, condition B, 48 hours
Vibration	EIA-364-28, condition V, letter J, 37g's
Shock	EIA-364-27, condition D, 300g's

Military Part Number	M17/95-RG180	
Maximum Operating Frequency	3 GHz	
Impedance (Ohms)	95	
Velocity of Propagation %	69.5	
Capacitance (pF/ft)	17.4	
Conductor	AWG 28 (7/38) Silver-Coated, Annealed-Copper-Covered, Steel Wire.	
Shielding Effectiveness (dB)	<-90 dB	
Dielectric Core	Type F-1: Solid, Extruded PTFE	
First Shield	38 AWG Silver-Coated Copper Wire 91.0% Nom. Coverage	
Second Shield	N/A	
Jacket	Type IX: FEP	
Outer Diameter	.141 (3.58) ± .004 (0.10)	
Temperature Rating	-55°C to +200° C	
Weight	.0198 (lbs./ft.)	
Time Delay nS/ft	N/A	
Max. Attenuation	Freq. (MHz)	dB/100 ft
	400	17.0



SERIES 80 Mighty Mouse Connectors



Size #8 Concentric Twinax Contacts, for MIL-STD-1553 Databus

SIZE #8 CONCENTRIC TWINAX CONTACTS FOR MIL-STD-1553 DATABUS



Fig. 1
Pin Contact
853-003-08-625



Fig. 2
Socket Contact
853-004-08-628



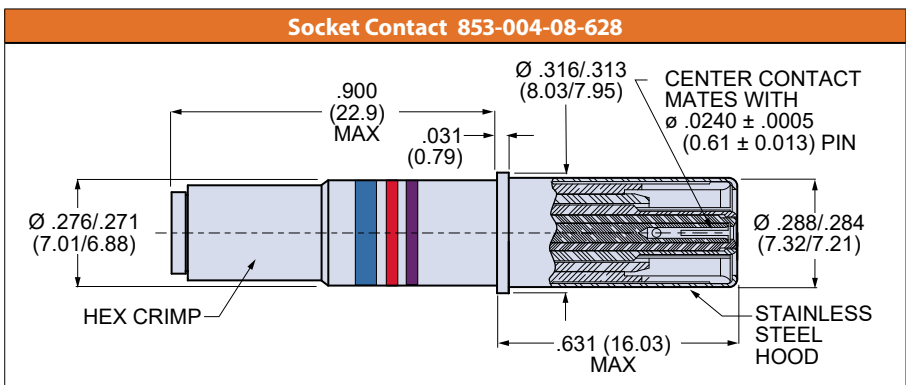
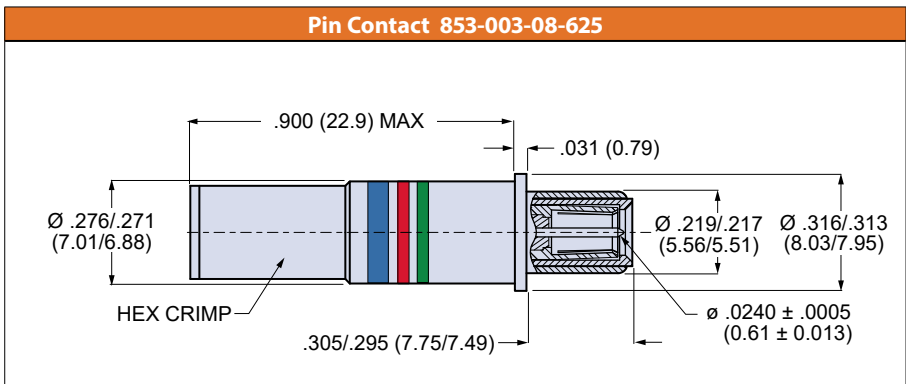
Fig. 3
Heatshrink Boot
(Supplied with Contact)



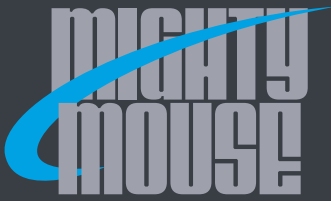
Fig. 4
Sealing Boot
859-042-01
(Not supplied with contact.
Order separately)

Concentric twinax contacts accept M17/176-0002 shielded twisted pair databus cable. These snap-in, rear release contacts fit Glenair Series 80 Mighty Mouse connectors and Glenair MIL-DTL-38999 Series I, III and IV connectors with size #8 cavities. Crimp termination. Gold-plated copper alloy, FEP insulator. Supplied unassembled with heatshrink boot (fig.3). Order sealing boot separately (fig.4). 55mV max voltage drop at 1 amp test current. DWV at sea level: 1000 VAC between contacts; 500 VAC between intermediate and outer contact. SAE AS39029 qualified.

Fig.	Description	Cable Accommodation	Part Number	AS39029 Part Number	Color Bands		
					1st	2nd	3rd
Fig. 1	Pin	M17/176-00002	853-003-08-625	M39029/113-625	Blu	Red	Grn
Fig. 2	Socket	M17/176-00002	853-004-08-628	M39029/114-628	Blu	Red	Vio
Fig. 4	Sealing Boot	M17/176-00002	859-042-01				



AS39039/113 Contact Crimp, Installation and Removal Tools							
Contact	Center Contact Tooling		Intermediate Contact Tooling		Outer Crimp Sleeve Tooling		Installation and Removal Tool
	Crimp Tool	Contact Positioner	Crimp Tool	Die Part Number	Crimp Tool	Die Part No	
853-003 (AS39029/113)	809-015	859-240	809-129	859-048	809-129	859-048	859-049
853-004 (AS39029/114)	M2252/2-01	M22520/2-37	M22520/5-01	M22520/5-105	M22520/5-01	M22520/5-105	M81969/14-12



SERIES 80 Mighty Mouse Connectors

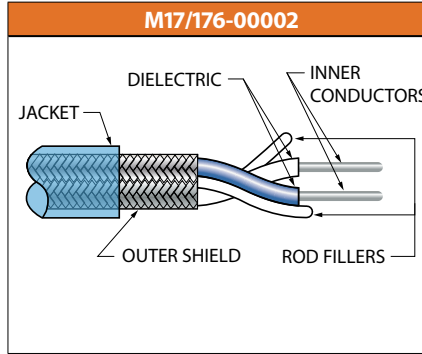


Size #8 Concentric Twinax Contacts, for MIL-STD-1553 Databus

CABLE FOR SIZE #8 CONCENTRIC TWINAX CONTACTS FOR MIL-STD-1553 DATABUS

Material and Finish	
Contact Body, Inner and Intermediate Contacts and Crimp Sleeve	Copper Alloy / Gold Plated
Insulators	Peek and PTFE / N/A
Sealing Boot Grommet	Fluorosilicone
Grommet Follower	Polyetherimide

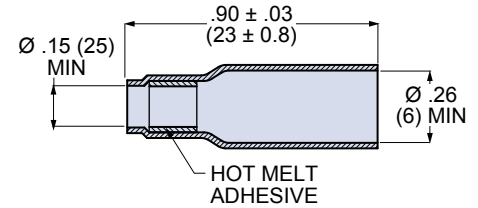
Contact Specifications	
Current Rating	1 ampere
Contact Resistance, Center and Intermediate Contacts	55 millivolt max. voltage drop @ 1 ampere
Contact Resistance – Outer Contact	75 millivolt max. voltage drop @ 12 amperes
Dielectric Withstanding Voltage, Center Contact to Intermediate Contact	1000 Vrms Sea Level, 250 Vrms at 70,000 feet
Dielectric Withstanding Voltage, Intermediate Contact to Outer Contact	500 Vrms Sea Level, 250 Vrms at 70,000 feet
Temperature Range	-65°C to +175°C
Durability	500 mating cycles
Corrosion	EIA-364-26, condition B, 48 hours
Vibration	EIA-364-28, condition V, letter J, 37g's
Shock	EIA-364-27, condition D, 300g's



Military Part Number	M17/176-00002	
Impedance	77 Ohm	
Operating Frequency	10 MHz max	
Velocity of Propagation %	68	
Capacitance	24 pF/foot	
Conductor	Two - 24 AWG (19/36) silver-coated, high strength copper alloy wire	
Dielectric	PTFE	
Outer Conductor	Single braid of AWG 38, silver-coated, high strength copper alloy wire	
Jacket	Type XIII: PFA	
Outer Dia.	.129 (3.28) ± .005 (0.13)	
Temperature Rating	-55° to +200°C	
Weight	18 lbs/1000ft	
Max. Attenuation	Freq. (MHz)	dB/100 ft
	1	1.4

Heatshrink Boot

Supplied with contact. Slide onto cable before terminating contact. Slide onto contact after the cable is terminated. Apply heat to shrink the boot and melt the adhesive. Install contact into connector.

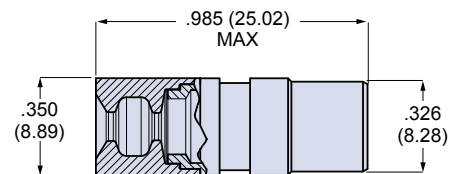


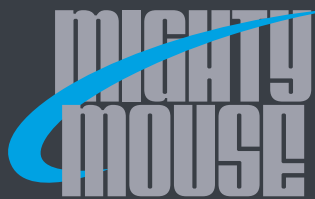
Sealing Boot

Sealing boot is ordered separately. Slide boot onto wire before terminating contact. After contact is installed in connector, slide boot forward into connector grommet to seal the contact cavity. Additional information on sealing boot is on the next page.



Wire Dia. (in.)	Wire Dia. (mm.)	Part Number
.090 - .130	2.3 - 3.3	859-042-01





SERIES 80

Mighty Mouse Connectors



Size #8 Differential Twinax Contacts

SIZE #8 DIFFERENTIAL TWINAX CONTACTS



Fig. 1
Pin Contact
853-014



Fig. 2
Socket Contact
853-013

Differential twinax contacts accept shielded twisted pair databus cable. These snap-in, rear release contacts fit Glenair Series 80 Mighty Mouse connectors. Crimp termination. Gold-plated copper alloy, FEP insulator. Supplied unassembled with optional sealing boot.

Fig.	Description	Cable	Part Number		
			Basic No.	Dash No	Grommet Follower (Omit for None)
Fig. 1	Pin	See Cable Accommodation Table	853-014	-01 thru -13	F
			853-018	-01	
			853-025	-01 and -02	
Fig. 2	Socket		853-013	-01 thru -13	
			853-017	-01	
			853-024	-01 and -02	

Cable Accommodation				
Dash No	Cable Accommodation	Conductor AWG	Ref. Cable Impedance	Assembly Instructions
-01	Gore RCN 8945	24	100 Ohms	A185007
-02	Gore GSC-03-83971-00	24		
-03	TE (Raychem) 10612	24		
-04	TE (Raychem) 0024A0024	24	100 Ohms	
	Tensolite 24463/9P025X-2 (LD) S280W502-1	24		
-05	M17/176-00002	24	77 Ohms	
	5 M2022-003	24	75 Ohms	
-07	TE 2525B0524	24	125 Ohms	
-09	Gore DXN2603 / TE 0028S2664	26/28	100 Ohms	
-10	PIC E10222	22		
-11	963-102-30	30		
-12	Gore GSC-05-84308-00	26		
-13	Gore DXN2602	24		

Contact Crimp and Removal Tools		
Description	Glenair P/N	Military P/N
Inner Contact Crimp Tool	809-015	M22520/2-01
Inner Contact Positioner	809-072	M22520/2-37
Outer Contact Crimp Tool	809-129	M22520/5-01
Outer Contact Hex Die	859-047	M22520/5-45
Contact Removal Tool	859-049	M81969/14-12

Material and Finish	
Contact Body and Center Contact	Copper alloy / Gold Plated
Crimp Sleeve	Brass or Equivalent / Gold Plated
Insulator, Sealing Boot	High Grade Rigid Dielectric
Sealing Boot Grommet	Fluorosilicone
Grommet Follower	Polyetherimide

Contact Specifications	
Characteristic Impedance (Ohms)	100 ± 10
Frequency Range	DC – 3 GHz
Insulation Resistance, Ambient Temperature	5000 megOhms minimum
Contact Resistance – Inner Contact*	15.0 milliOhms maximum initial @ 1 ampere
Contact Resistance – Outer Contact*	3.0 milliOhms maximum initial @ 12 amperes
Dielectric Withstanding Voltage	1000 VAC RMS between contacts, 500 VAC RMS between contacts and shell
Temperature Range	-65°C to +200°C
Durability	500 mating cycles
Corrosion (salt Fog)	EIA-364-26, condition B, 48 hours
Vibration	EIA-364-28, condition VI, letter J, 43g's
Shock	EIA-364-27, condition D, 300g's

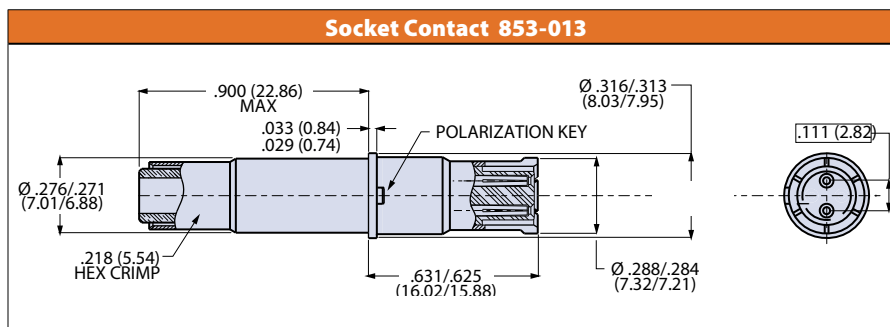
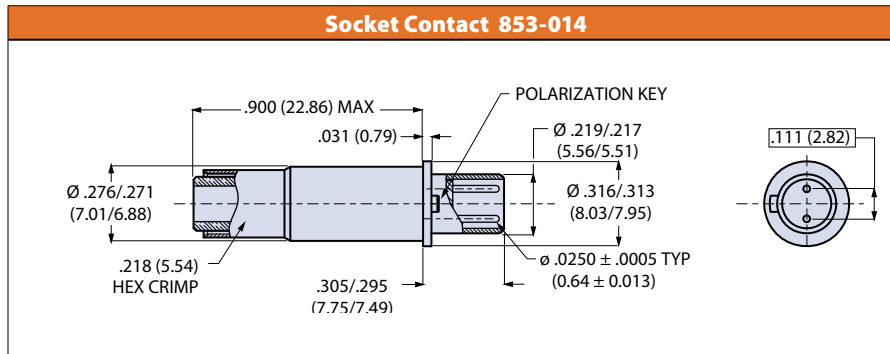
* Contacts are tested in mated condition at their extremities.



SERIES 80
Mighty Mouse Connectors
Size #8 Differential Twinax Contacts

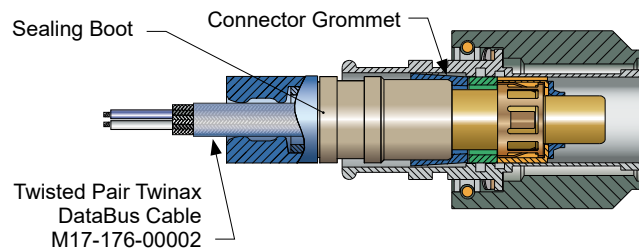


SIZE #8 DIFFERENTIAL TWINAX CONTACTS



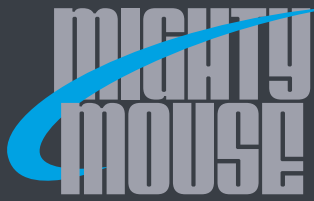
About Differential Twinax Contacts

Differential twinax contacts are multi-pin contacts with two signal pins and an outer contact body. These contacts are used for 77 Ohm MIL-STD-1553 databus and 100 Ohm serial data transmission. The outer contact body provides a 360-degree EMI shield around the signal contacts. A raised boss on the contact body aligns the contact for proper mating. This boss fits into a slot inside the connector. All size 8 Mighty Mouse connector inserts have this alignment slot.



Sealing Boot Information

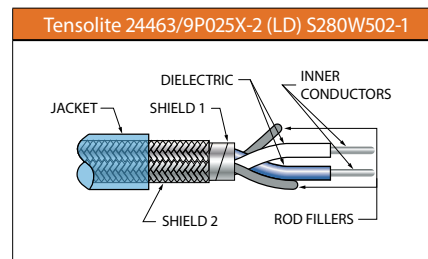
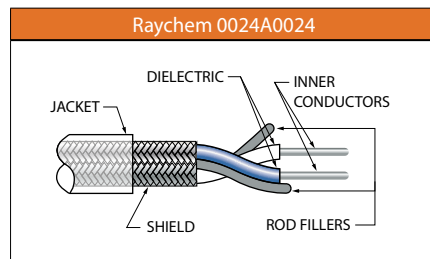
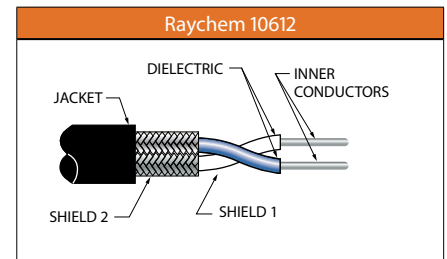
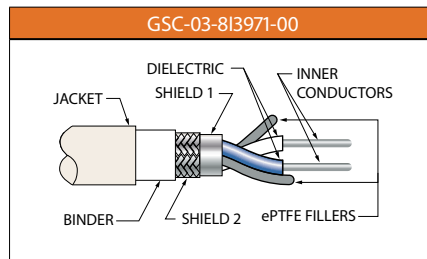
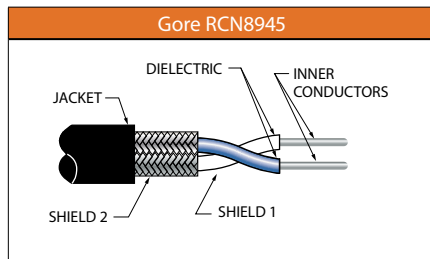
The sealing boot is necessary to prevent moisture and contamination from penetrating the connector. The sealing boot is ordered separately. **DO NOT USE HEATSHRINK BOOT IF USING SEALING BOOT.** The boot consists of a rigid dielectric sleeve and a fluorosilicone rubber grommet. After contact is installed slide boot forward into connector grommet to seal the contact cavity. "F" suffix on contact part number specifies contact supplied with sealing



SERIES 80 Mighty Mouse Connectors Size #8 Differential Twinax Contacts



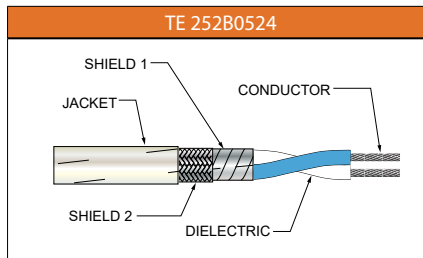
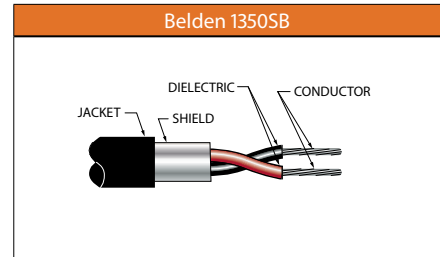
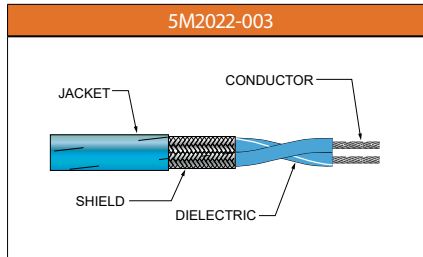
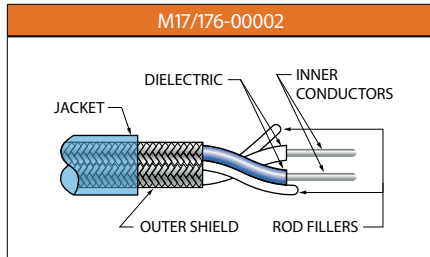
8 DIFFERENTIAL TWINAX CONTACT 100 OHM CABLE



Cable Part Number	Gore RCN8945	Gore GSC-03-83971-00	Raychem 10612-24	Raychem 0024A0024	Tensolite 24463/9P025X-2 (LD) S280W502-1			
Impedance	100 ± 10	100 ± 7	77 ± 5	100	100 ± 5.5 %			
Velocity of Propagation %	--	78	61	76	75			
Capacitance (pF/ft)	--	45 pF/ft.	30.0 pF/ft.	13.5 pF/ft.	13 pF/ft.			
Conductor Wire Size	AWG 24 (19/36) SPC ³	AWG 24 (19/36) SCCA ¹	AWG 24 (19/36) SCCA ¹	AWG 24 (19/36) High-Strength SCCA ¹	AWG 24 (19/36) High-Strength SCCA ¹			
Dielectric	PTFE over ePTFE	FEP over expanded PTFE	Radiation-Crosslinked, Modified ETFE	Rayfoam H	PTFE over ePTFE			
Fillers	none	ePTFE	Radiation-Crosslinked Modified ETFE	Radiation-Crosslinked Modified ETFE	PTFE			
Shield	Shield 1: Aluminized Kapton Shield 2: AWG 40 SPC ³ Braid	Shield 1: Aluminized Polyimide Foil Shield 2: AWG 38 High Strength SCCA ¹	AWG 38 Tin-Coated Copper	38 AWG, Tin-Coated Copper	Shield 1: Flat Tin Coated Copper Braid Shield 2: AWG 38A SPC ³ Braid			
Binder	None	ePTFE	None	None	None			
Jacket	Natural HSTF	FEP Color: White	Radiation-Crosslinked Modified ETFE Color: White	Modified FEP Color: Transparent White	Extruded FEP Color: Transparent Blue			
Outer Diameter	.162 (4.11) Max	0.13 (3.2)	.129 in (3.28)	.149 (3.78)	.150 (3.81)			
Temperature Rating	-55° C to +200° C	-65° C to +200° C	150° C Max	-55° C to +135° C	-55° C to 150° C			
Weight	TBD	27 g/m nominal	15.9 lbs/1000 ft (max)	18.1 lbs/1000 ft	19 lbs/1000 ft			
Max. Attenuation	Freq. (MHz)	dB/100 ft	Freq. (MHz)	dB/100 m	Freq. (MHz)	dB/100 ft	Freq. (MHz)	dB/75 ft
	100	6.7	1	2.7	1	1.4	6	1.8
	200	9.2	10	8.0				
	1000	22.0	20	11.2				
			100	25.2				

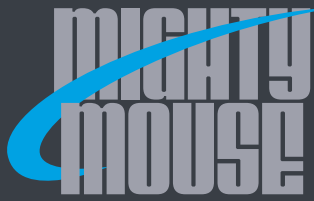
1. SCCA = silver-coated copper alloy 2. SPCA = silver-plated copper alloy 3. SPC = silver-plated copper

SIZE #8 DIFFERENTIAL TWINAX CONTACT CABLE



Cable Part Number	M17/176-00002		5M2022-003		Belden 1350SB		TE 252B0524	
Impedance	77 ± 3		75 ± 5		100		125 ± 10	
Velocity of Propagation %	71		55		79		78	
Capacitance	24 pF/ft.		24 pF/ft.		13.4 pF/ft.		11.0 pF/ft.	
Conductor Wire Size	AWG 24 (19/36) SCCA ¹		24 AWG (19/36) SPCA ²		24 AWG (7/32) Tinned Copper		24 AWG, 19/36 High-Strength SCCA ¹	
Dielectric	PTFE		Extruded PTFE		PE		Rayfoam H	
Shield	Silver-Coated Copper Braid		38 AWG, SPC 90% Min. Coverage		Bi-Laminate Tape Beldfoil [®]		Aluminum Polyimide AWG 38, Silver Coated Copper	
Jacket	Type XIII: PFA Color: Blue		Extruded FEP Color: Blue		.179 (4.55) LSZH, Color: Black		UXL - Modified ETFE	
Outer Diameter	.129 (3.28) ± .005 (0.13)		.128 (3.25)		.179 (4.55)			
Temperature Rating	-55° to +200°C		-65° C to +200° C		-30°C to +75°C		--	
Weight	.018 lb/ft		15.7 lb/1000 ft		20 lbs/1000 ft		22.7 lbs/1000ft	
Max. Attenuation	Freq. (MHz)	dB/100 ft	Freq. (MHz)	dB/100 ft	Freq. (MHz)	dB/100 ft	Freq. (MHz)	dB/100 ft
	1	1.4	1	1.5	.768	.88	10	2.0
	3	2.1			1.4112	1.18		
	4	2.4			2.048	1.371		
	5	2.8			3.072	1.6		
	7	3.5			6.144	2.09		
	10	4.5			12.288	2.84		
				24.576	4.01			

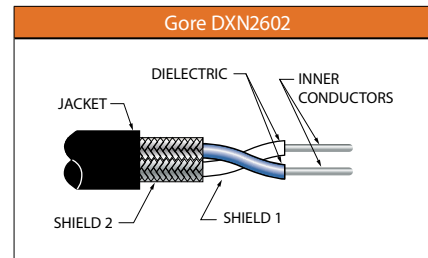
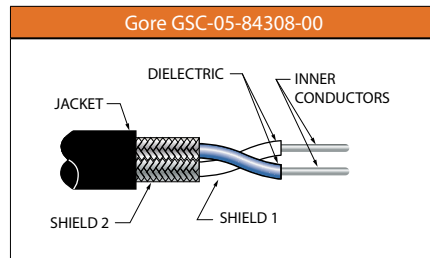
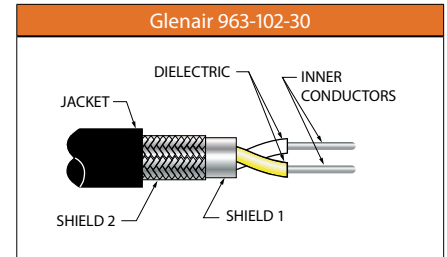
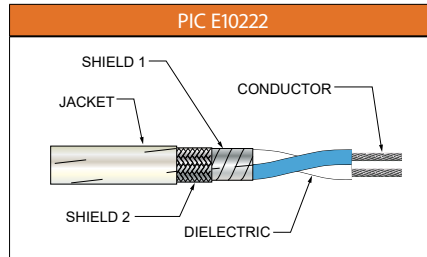
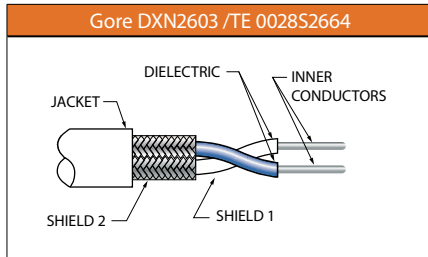
1. SCCA = silver-coated copper alloy 2. SPCA = silver-plated copper alloy



SERIES 80 Mighty Mouse Connectors Size #8 Differential Twinax Contacts

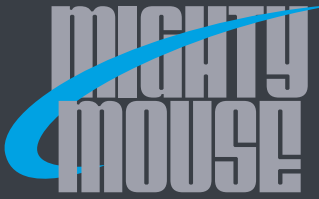


SIZE #8 DIFFERENTIAL TWINAX CONTACT CABLE



Cable Part Number	Gore DXN2603 / TE 0028S2664	PIC E10222	Glenair 963-102-30	Gore GSC-05-84308-00	Gore DXN2602					
Impedance	100 ± 10	100	100 ± 10	100 ± 4	100 ± 10					
Velocity of Propagation %	80	80.0	80.0	80.0	80					
Capacitance	13.0 pF/ft	13.0 pF/ft	15.0 pF/ft	45 (pF/m)	13.0 pF/ft					
SPCA Conductor Wire Size	AWG 24 (19/36) SPCA ²	AWG 22 stranded tin plated copper	AWG 30 (19/42) High-Strength SPCA ²	AWG 26 (7/34) High-Strength SPCA ²	AWG 24 (19/36) SPCA ²					
Dielectric	PTFE over ePTFE	Foamed Fluoropolymer Insulation	PFA	ePTFE	PTFE over ePTFE					
Shield	AWG 40 SPC Braid	Shield 1: Foil Shield Shield 2: Tin-Plated Copper Braid Shield	Shield 1: Aluminum/Polyester Tape Shield 2: AWG 40 High-Strength SPCA	AWG 40 Silver Plated copper 90% min	AWG 40 SPC Braid					
Jacket	EF100 PTFE Color: White	ETFE Color: White	PFA Color: Black	ETFE Color: Black	EF100 PTFE Color: White					
Outer Diameter		0.19 (4.80)	.107 (2.72)	0.12 (3.1)	.09 (2.29)					
Temperature Rating	-55°C to +200°C	-50°C to +150°C	105° C Max	-200°C to +180°C	-55°C to +200°C					
Weight	11.3 lbs/1000 ft	2.3 lbs/100 ft	N/A	18 g/m max.	11.3 lbs/1000 ft					
Max. Attenuation	Freq. (MHz)	dB/100 ft	Freq. (MHz)	dB/100 ft	Freq. (MHz)	dB/100 ft	Freq. (MHz)	dB/100 m	Freq. (MHz)	dB/100 ft
	100	7.6	10	1.5	500	40	20	17	100	7.6
	200	10.7	100	5.4	1000	56	35	22	200	10.7
	500	17.3					70	30	500	17.3
	1000	25.0					80	32	1000	25.0
						100	36			

1. SCC = silver-coated copper 2. SPCA = silver-plated copper alloy 3. SPC = silver-plated copper



SERIES 80

Mighty Mouse Connectors



Size #8 100 Ohm Quadrax Contacts

SIZE #8 QUADRAX CONTACTS

100 Ohm quadrax contacts accept standard flight-grade star quad cable. These snap-in, rear release contacts fit Glenair Series 800 through 805 Mighty Mouse connectors (not compatible with Series 806) with size #8 keyed insulators to properly align contact. Crimp termination. Contact has in-line key for alignment in connector. Gold-plated copper alloy, thermoplastic insulators. Supplied as unassembled kit.

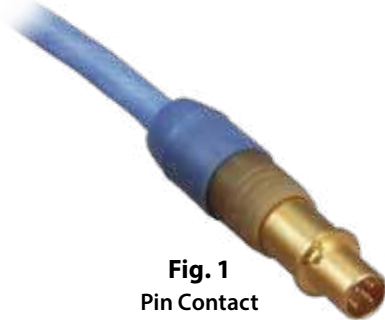


Fig. 1
Pin Contact
854-001

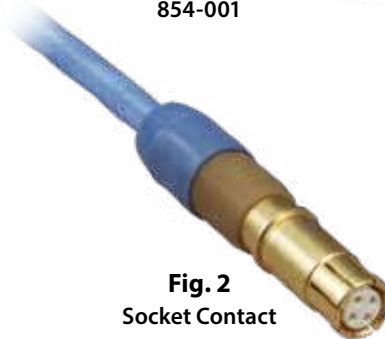


Fig. 2
Socket Contact
854-002

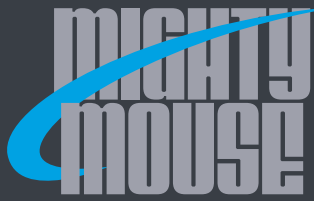
Figure	Cable Accommodation	Contact Type	Part Number Contact Only	P/N Contact and Sealing Boot	Wire AWG	Cable OD
1	Tensolite NF22Q100 Draka F-4704-7	Pin	854-001-05	854-001-05F	22	.190 (4.83)
1	PIC E51424 Tensolite NF24Q100	Pin	854-001-02	854-001-02F	24	.163 (4.14)
1	PIC E50424 Draka F 4704-4	Pin	854-001-04	854-001-04F	24	.175 (4.44)
1	PIC E51426 Tensolite NF26Q100	Pin	854-001-01	854-001-01F	26	.143 (3.63)
1	Draka F 4704-6	Pin	854-001-03	854-001-03F	26	.149 (3.78)
2	Tensolite NF22Q100 Draka F-4704-7	Socket	854-002-05	854-002-05F	22	.190 (4.83)
2	PIC E51424 Tensolite NF24Q100	Socket	854-002-02	854-002-02F	24	.163 (4.14)
2	PIC E50424 Draka F 4704-4	Socket	854-002-04	854-002-04F	24	.175 (4.44)
2	PIC E51426 Tensolite NF26Q100	Socket	854-002-01	854-002-01F	26	.143 (3.63)
2	Draka F 4704-6	Socket	854-002-03	854-002-03F	26	.149 (3.78)

Material And Finish	
Contact Body, Inner Contact	Copper Alloy / Gold Plated
Crimp Ferrule	Brass or Equivalent / Gold Plated
Insulator	PTFE, Polyetherimide or equivalent
Sealing Boot Grommet	Fluorosilicone
Grommet Follower	Polyetherimide

Contact Crimp and Removal Tools		
Description	Glenair P/N	Military P/N
Inner Contact, Crimp Tool	809-015	M22520/2-01
Inner Contact, Positioner	809-240	M22520/2-37
Outer Contact, Crimp Tool	809-129	M22520/5-01
Outer Contact, Hex Die	859-048	M22520/5-105
Contact Removal Tool	859-049	M81969/14-12

Contact Specifications	
Characteristic Impedance	100 Ohms ± 10 Ohms
Frequency Range	DC – 3 GHz
Insulation Resistance, Ambient Temperature	5000 megOhms minimum
Contact Resistance – Inner Contact	15.0 milliOhms maximum initial @ 1ampere
Contact Resistance – Outer Contact	3.0 milliOhms maximum initial @ 12 amperes
Dielectric Withstanding Voltage	1000 Vac RMS between contacts, 500 Vac RMS between contacts and shell
Temperature Range	-65°C to +200°C
Durability	500 mating cycles
Corrosion (salt Fog)	EIA-364-26, condition B, 48 hours
Vibration	EIA-364-28, condition VI, letter J, 43g's
Shock	EIA-364-27, condition D, 300g's

CONTACTS AND TOOLS

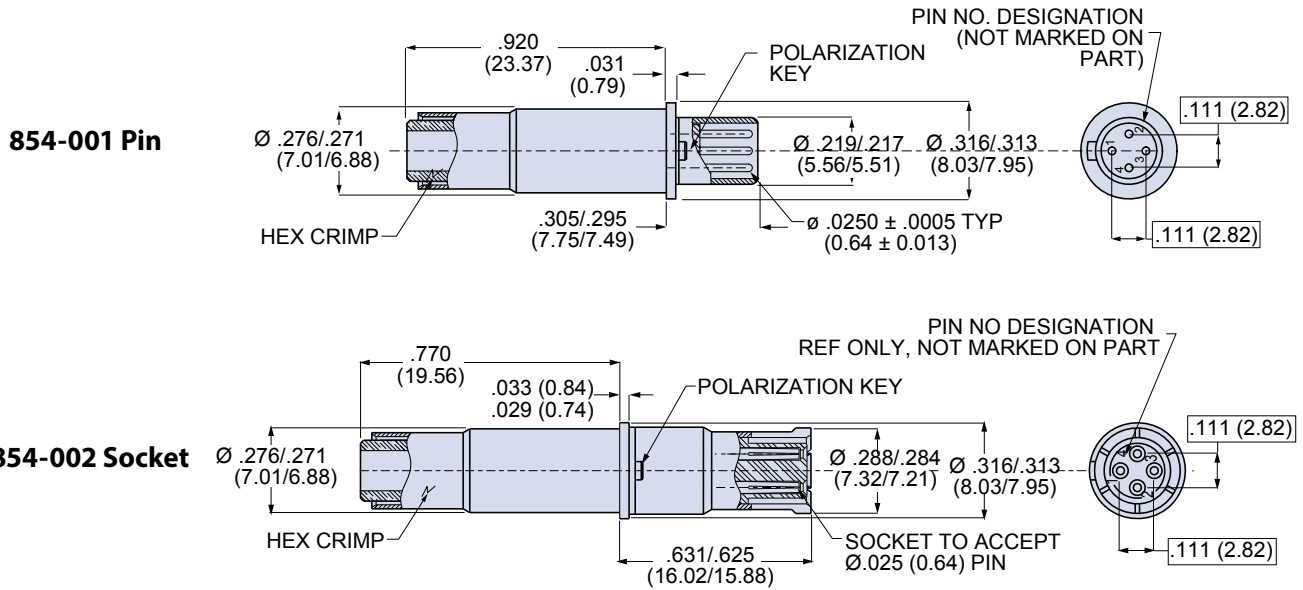


SERIES 80 Mighty Mouse Connectors

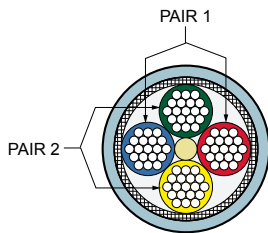


Size #8 100 Ohm Quadrax Contacts

SIZE #8 QUADRAX CONTACTS



Arinc 664 Star Quad Cable



About Quadrax Contacts and Star Quad Cable

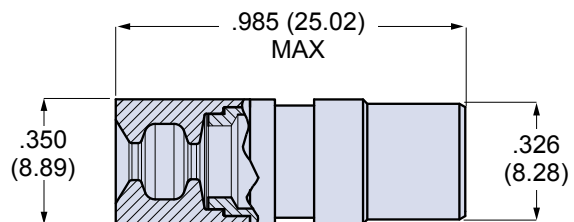
Quadrax contacts are size 8 multi-pin contacts with four signal pins and an outer contact body. These contacts are used for ARINC 664 100BASE-T Ethernet. Each quadrax contact yields one Ethernet port. The outer contact body provides a 360-degree EMI shield around the signal contacts. Star quad cables have four parallel wires uniformly twisted around a center filler. These 100 Ohm high performance 100BASE-T cables are designed for use in aircraft systems. The cable has two shields—a flat tinned copper braid inner shield and an outer tinned copper overbraid. The FEP jacket meets FAA flammability requirements.

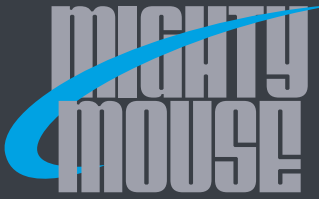
Sealing Boot

Optional sealing boot is recommended. Slide boot onto wire before terminating contact. After contact is installed in connector, slide boot forward into connector grommet to seal the contact cavity. "F" suffix on contact part number specifies contact supplied with 859-042-02 sealing boot.



Dimensions		
Wire Dia. (in.)	Wire Dia. (mm.)	Part Number
.090 - .130	2.3 - 3.3	859-042-01
.130 - .170	3.3 - 4.3	859-042-02
.170 - .205	4.3 - 5.2	859-042-03



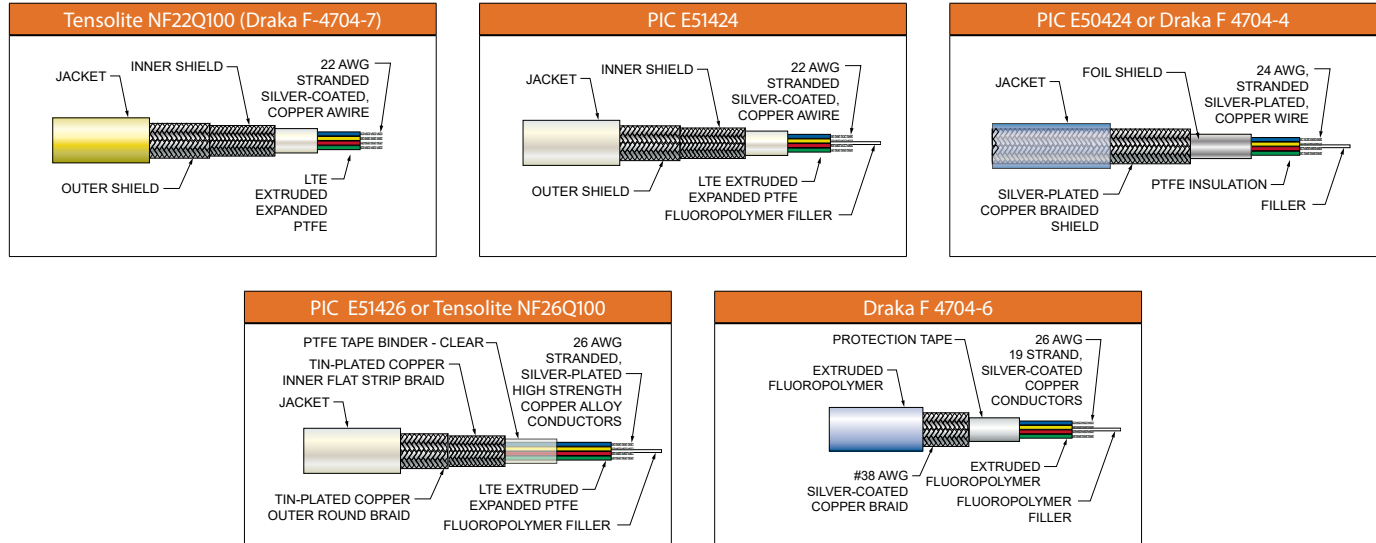


SERIES 80 Mighty Mouse Connectors

Size #8 100 Ohm Quadrx Contacts



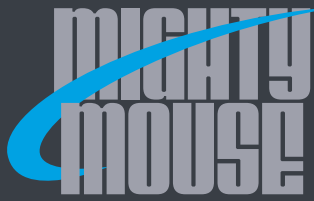
SIZE #8, 100 OHM QUADRX CONTACT CABLE



Cable Part Number	Tensolite NF22Q100 (Draka F-4704-7)		PIC E51424		PIC E50424 Draka F 4704-4		PIC E51426 Tensolite NF26Q100		Draka F 4704-6	
Impedance	100		100		100		100		100	
Velocity of Propagation %	80.0		80.0		69.5		70.0		65	
Capacitance (pF/ft)	13.0		13.0		13.0		14.5		--	
Conductor Wire Size	AWG 22		AWG 24		AWG 24		AWG 26		26	
Conductor Material	SCC ¹		Stranded SPCA ²		Stranded SPC ³		Stranded SPCA ²		19 Strand SCC ¹	
Dielectric	PTFE		Fluoropolymer		PTFE		Fluoropolymer		Fluoropolymer	
Inner Shield Coverage	--		90% Braid		100% Foil		90% Braid		--	
Outer Shield Coverage	--		85 Braid		85% Braid		85 Braid		--	
Pair #1	Red, Blue		Red, Blue		Red, Blue		Red, Blue		Red, Blue	
Pair #2	Yellow, Green		Yellow, Green		Yellow, Green		Yellow, Green		Yellow, Green	
Jacket	FEP		ETFE		Fluoropolymer		ETFE		Extruded Fluoropolymer	
Outer Diameter	.190 (4.83)		0.16 (4.06)		.17 (4.32)		0.14 (3.48)		--	
Temperature Rating	-55°C to 200°C		-55°C to 150°C		-55°C to 200°C		-55°C to 150°C		-65°C to 125°C	
Weight	34.5 lbs/1000 ft		2.2 lbs/100 ft		2.7 lbs/100 ft		1.8 lbs/100 ft		--	
Max. Attenuation	Freq. (MHz)	dB/100 ft	Freq. (MHz)	dB/100 ft	Freq. (MHz)	dB/100 ft	Freq. (MHz)	dB/100 ft	Freq. (MHz)	dB/100 ft
			10	2.3/2.7	10	2.2/3.0	10	2.8/3.2	1	.092
	100	6.4/7.3	100	8.0/9.2	100	7.1/8.2	100	9.6/11.0	4	1.83
									10	2.75
									16	3.66
									20	4.27
								62.5	7.62	
								100	9.15	

1. SCC = silver-coated copper 2. SPCA = silver-plated copper alloy 3. SPC = silver-plated copper

CONTACTS AND TOOLS



SERIES 80 Mighty Mouse connectors Crimp Tools and Positioners



MINIATURE ADJUSTABLE CRIMP TOOLS



809-015



809-128

These crimp tools perform precision eight indent crimps for gas-tight wire terminations and excellent tensile strength. Adjustment wheel has 8 settings. Ratchet mechanism prevents improper crimps. Use with bayonet-type positioners. Check calibration with M22520/3 gages. Length is 6.75 inches, weight is approx. 10 oz.

Standard **809-015** (M22520/2-01) crimper. Use with standard size #23 and #20HD Mighty Mouse contacts and with M39029/76 and /78 coaxial center contacts. Requires positioner, ordered separately.

Special **809-128** (MH992) crimper used with 50 Ohm matched impedance coaxial inner contacts. Requires positioner, ordered separately.

Part Number	Military Part Number	Daniels Part Number
809-015	M22520/2-01	AFM8
809-128	(none)	MH992

POSITIONERS FOR USE WITH MINIATURE ADJUSTABLE CRIMP TOOLS



Positioner for use with miniature adjustable crimp tools.

809-005 Positioner for standard size #23 contacts. #22-#28 AWG. For use with M22520/2-01 crimp tool.

809-057 Positioner for small bore size #23 contacts. #26-#30 AWG. For use with M22520/2-01 crimp tool.

809-124 Positioner for matched impedance #12 coaxial inner contact. For use with 809-128 (MH992) crimp tool.

809-125 (M22520/2-35) Positioner for M39029/76 and 78 coaxial inner contact. For use with M22520/2-01 crimp tool.

809-135 (M22520/2-34) Positioner for #12 coax contacts (M39029/28-211 & 409 and M39029/27-210 & 402). For use with M22520/2-01 crimp tool.

809-137 (M22520/2-10) Positioner for wire size #16, #18, and #20. For use with 809-015 (M22520/2-01).

These bayonet-type positioners hold contacts at correct height for crimping with M22520/2 type miniature step adjustable tools, above. Face plate shows correct tool settings.

809-138 (M22520/1-01) Positioner for size #12 contacts.

809-174 Positioner for long size #23 pin contact for use with combo arrangements with size #8 contacts. Use with M22520/2-01 crimp tool.

809-206 Positioner for #20HD contacts. Use with M22520/2-01 crimp tool.

809-301 Positioner for large bore size #23 contacts. #20-#22 AWG. Use with M22520/2-01 crimp tool.

809-369 (M22520/2-07) Positioner for long, size #23 socket contacts for use with Mighty Mouse combo arrangements with size #8 contacts. Use with M22520/2-01 crimp tool.

859-006 Positioner for matched impedance #12 coaxial inner contact. Use with 809-128 (MH992) crimp tool.

859-050 (M22520/2-31) Positioner for size #8 coax contacts for RG180 cable. Use with M22520/2-31.

859-072 Positioner for size #8 coax and differential twinax inner contacts for 75 Ohm video cable. For use with M22520/2-01.

859-124 Positioner for wire barrel size 20 through 24. For use with M22520/2-01.

859-125 (M22520/2-35) Positioner for size #16 crimp removable shielded pin/socket, inner contact. Use with M22520/2-01.

859-126 (M22520/2-35) Positioner for size #16 crimp removable shielded pin/socket, outer contact. Use with M22520/2-01.

859-134 (M22520/31-02) Positioner for outer contact of #12 coax contacts wire barrel sizes 20 through 28. For use with 809-133 (M22520/31-02).

859-135 (M22520/2-34) Positioner for outer contact of #12 coax contacts, wire barrel sizes 20 through 28. For use with 809-015 (M22520/2-01).

859-240 (M22520/2-37) Positioner for size #8 differential twinax contacts. Use with M22520/2-01.

CRIMP TOOL AND POSITIONER FOR SIZE #12, #16, #20 POWER CONTACTS AND ADAPTERS



809-136

809-136 Crimp tool for use with size #20, #16 and #12 power pins. 9.75 inches OAL, 1.25 pounds. Use with M39029/57 and /58 contacts and 809-093 adapters.

809-138 Positioner for use with 809-093 adapters.

809-137 Positioner for use with size #20, #12 and #16 Power contacts.

Part Number	Military Part Number	Daniels Part Number
809-136	M22520/1-01	AF8
809-137	M22520/1-04	TH163
809-138	(none)	TH653

CRIMP TOOL AND POSITIONER FOR #16 COAXIAL OUTER CONTACT



809-127

For crimping size #16 shield sleeves. These mil spec approved tools feature a ratchet mechanism to prevent damage from overcrimping. Check calibration with M22520/3 gage.

809-127 Crimp tool for use with size #16 coaxial contacts. Blue handles. 9.75 inches OAL, 1.25 pounds.

809-126 Positioner for use with size #16 coaxial contacts. Use with 809-127 (M22520/4-01) crimp tool.

Part Number	Military Part Number	Daniels Part Number
809-127	M22520/4-01	GS100-1
809-126	M22520/4-02	GP295

CRIMP TOOL AND POSITIONER FOR #12 COAXIAL OUTER CONTACT



809-133

For crimping size #12 shield sleeves. These mil spec approved tools feature a ratchet mechanism to prevent damage from overcrimping. Check calibration with M22520/3 gage.

809-133 Crimp tool for use with size #12 coaxial contacts. Black handles. 9.75 inches OAL, 1.25 pounds.

809-134 Positioner for use with size #12 coaxial contacts. Use with 809-133 (M22520/31-01) crimp tool.

Part Number	Military Part Number	Daniels Part Number
809-133	M22520/31-01	GS200-1
809-134	M22520/31-02	G2P330

PARALLEL ACTION CRIMP TOOL AND HEX DIE SET FOR 50 OHM MATCHED IMPEDANCE #12 COAX



809-129

809-129 Parallel action tool for use with hex crimp dies. 11 inches OAL, 2.0 pounds. Anodized aluminum frame, steel mechanism, plastic handles. Includes tool for die set removal. Accepts all M22520/5 die sets.

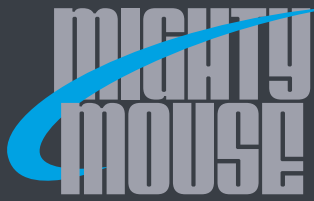
809-130 Hex die for 852-015 and 852-016 contacts

859-047 Hex die for 853-014, 853-013, 853-017, 853-025, and 853-024 contacts

859-048 Hex die for 853-003, 853-004, 859-042, 854-001, and 854-002

859-051 Hex die for 852-043, 852-042, 852-007, 852-006,

Part Number	Military Part Number	Daniels Part Number
809-129	M22520/5-01	HX4
809-130	M22520/5-03	Y196
859-047	M22520/5-45	
859-048	M22520/5-105	
859-051	M22520/5-05	



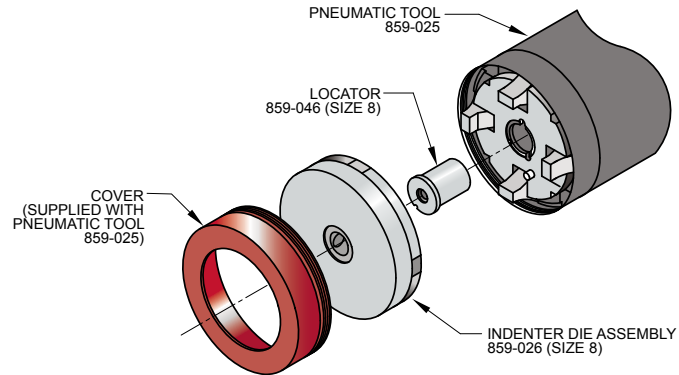
SERIES 80 Mighty Mouse Connectors



Crimp Tools and Positioners for Quadrax, Twinax, Coax or Power Contacts

PNEUMATIC CRIMP TOOL FOR #8 POWER CONTACTS

The Daniels WA23 pneumatic crimp tool sets the standard for heavy duty crimping chores. This four-indent tool accommodates large power contacts ranging from size 8 through size 0000. Die plates and locators are purchased separately. Qualified to M22520/23, the WA23 tool is specified for use with SAE AS39029 closed barrel copper alloy contacts.



PNEUMATIC CRIMP TOOL



Bench mount heavy duty pneumatic indenter crimp tool. Four-indent crimp termination. Use with closed barrel contact sizes 8 through 4/0. Attach to air supply with quick-disconnect fitting or install 1/4 NPT fitting into tapped port. 90-120 psi air supply. Requires die assembly and locator, sold separately. Hand actuate with push-button valve trigger on handle. Steel with black wrinkle enamel coating. 13 inches overall length, 9.2 inches tall, 17 pounds (7.7 Kg).

Description	Part Number	Military Part Number	Daniels Part Number
Pneumatic Crimper	859-025	M22520/23-01	WA23

DIE ASSEMBLY FOR SIZE #8 CONTACTS



Indenter Die Assembly. Precision four-indent die with hardened tool steel indenters, stainless steel housing, aluminum cap. Use with size #8 contacts. Go/ No Go calibration dimensions are stamped on face of tool. Approximately 3.3 inches (84mm.) diameter.

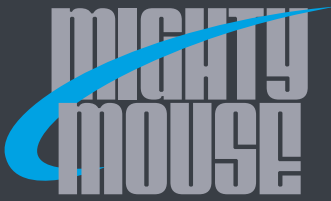
Description	Part Number	Military Part Number	Daniels Part Number
Die Assembly, Size #8	859-026	M22520/23-02	WA23-2

LOCATOR FOR SIZE #8 CONTACTS



Aluminum locator holds contact at correct depth for crimping.

Description	Part Number	Military Part Number	Daniels Part Number
#8, Special	859-046	--	WA23-395L
	859-164	--	--



SERIES 80

Mighty Mouse Contacts and Tools



Contact Installation and Removal Tools

CONTACT INSERTION AND REMOVAL TOOLS

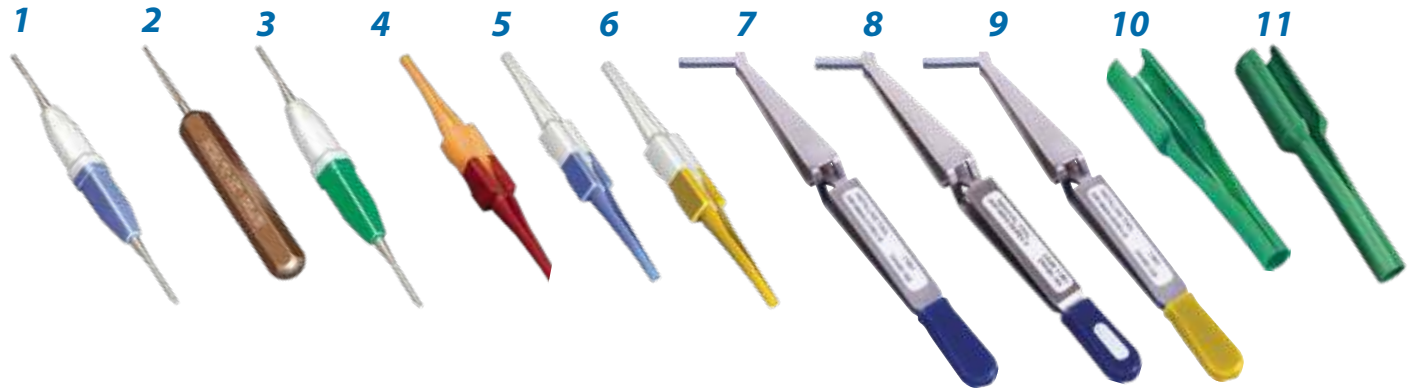


Figure	Size	Type	Glenair Part Number	Military Part Number
1	#23	Installation/Removal	809-088	N/A
2	#23	Installation Only	809-013	N/A
3	#20HD	Installation/Removal	809-203 (Append D for Delrin tip)	N/A
4	#20	Installation/Removal	809-207	M81969/14-10
5	#16 power and coax	Installation/Removal	809-131	M81969/14-03
6	#12 power and coax	Installation/Removal	809-132	M81969/14-04
7	#16 coax / power	Installation Only	N/A	M81969/8-07
8	#16 coax / power	Removal Only	N/A	M81969/8-08
9	#12 coax / power	Installation Only	N/A	M81969/8-09
10	#12 coax / power	Removal Only	N/A	M81969/8-10
11	#8 power	Removal Only	859-049	M81969/14-12

1 Installation/Removal Tool for #23 Contacts. Features molded plastic grips and sturdy stainless steel tips. Blue/White molded handle.

2 Installation Tool for #23 Contacts. This tool features anodized aluminum handle and stainless steel insertion tip.

3 Installation/Removal Tool for #20HD Contacts. This tool features molded plastic grips and sturdy stainless steel or Delrin tips. Molded handle in Green/White for SS or Green/Blue for Delrin tips.

4 Installation/Removal Tool for #20 Contacts. Molded plastic. Orange extraction tip, red insertion tip.

5 Installation/Removal Tool for #16 Contacts. Use with size #16 coaxial or power contacts. Economical molded plastic. White extraction tip, blue insertion tip.

6 Installation/Removal Tool for #12 Contacts. Use with size #12 coaxial or power contacts. Molded plastic. White extraction tip, yellow insertion tip.

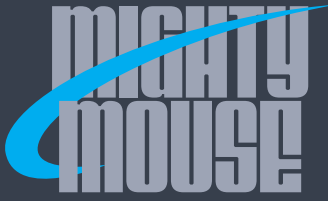
7 Installation Tool for #16 coax and #12, 50 Ohm matched impedance coax contacts. Metal tool.

8 Removal Tool for #16 coax and #12, 50 Ohm matched impedance coax contacts. Molded plastic.

9 Installation Tool for #12 coax contacts. Metal tool.

10 Removal Tool for #12 coax and #8 power contacts. Metal tool.

11 Removal Tool for #12 coax and #8 power contacts. Molded plastic.



SERIES 80

Mighty Mouse Contacts and Tools



Specialty El Ochito® Contact Mounting to Wire Tools Contact Retention Tester

CONTACT RETENTION TESTERS FOR SIZE #23, #20, #16, #12 CONTACTS (KIT OR INDIVIDUAL PARTS)



Check for properly seated contacts with this spring-loaded tester. Apply the tool tip to the mating end of a contact. Push on the handle until the spring compresses to the recommended force. A visual indicator shows full compression. The contact is properly retained if it is not displaced.

Adjust handle to appropriate recommended settings for inspection:

Contact	P/N	Recommended Setting
#23	809-107-1	3.2 pounds
#20 & 20HD	809-370-1	8 pounds
#16	809-371-1	13 pounds
#12	809-372-1	13 pounds

Daniels part numbers provided in parenthesis

Contact Size	Handle	Pin Tip	Socket Tip	Complete Kit
#23	809-107-1 (HT250-2)	809-107-2 (68-023-01)	809-107-3 (67-023-01)	809-107-4
#20 & 20HD	809-370-1 (HT250-4)	890-370-2 (68-020-01)	809-370-3 (67-020-01)	809-370-4
#16	809-371-1 (HT250-4)	809-371-2 (68-016-01)	809-371-3 (67-016-01)	809-371-4
#12	809-372-1 (HT250-4)	809-372-2 (68-012-01)	809-372-3 (67-012-01)	809-372-4

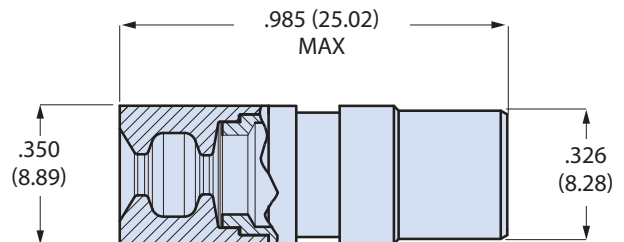
SIZE #8 SEALING BOOTS

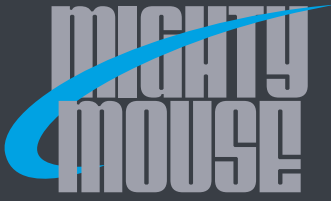
Sealing Boot

Replace damaged or worn size #8 sealing boots. Slide boot onto wire before terminating contact. After contact is installed in connector, slide boot forward into connector grommet to seal the contact cavity.



Dimensions		
Wire Dia. (in.)	Wire Dia. (mm.)	Part Number
.090 - .130	2.3 - 3.3	859-042-01
.130 - .170	3.3 - 4.3	859-042-02
.170 - .205	4.3 - 5.2	859-042-03





SERIES 80 Mighty Mouse Connectors



Dummy Contact Sealing Plugs For All Series 80 Connectors

DUMMY CONTACT SEALING PLUGS



The use of color-coded M27488 type plastic sealing plugs in unused contact cavities is a requirement in all environmental interconnect applications (IAW NA01-1A-505-1, WP 007 00 or 020 00). Conventional sealing plugs, combined with the connector grommet seal, provide reliable dust and moisture ingress protection. But common contact sealing plugs still require that a properly-sized electrical contact first be inserted into the cavity, followed by the plastic plug. Glenair innovative Dummy Contact Sealing Plugs (DCSP) eliminate the need to use expensive electrical contacts as part of the sealing regimen. Fast and easy-to-install, these longer form-factor Dummy Contact Sealing Plugs (DCSP) are a one-piece solution to contact cavity sealing that results in significant weight reduction, material cost reduction, and assembly labor. Glenair Dummy Contact Sealing Plugs reduce weight as much as 90% compared to conventional contact/sealing plug configurations.

Size	Color	Part Number
#23	White	680-116-23
#20HD	Red	680-120-20HD
#20	Red	680-116-20
#16	Violet	680-116-16
#12	Orange	680-116-12
#8	Green	680-116-8
#8 w/boot	Green	680-116-8B



INSTALLATION OF DUMMY CONTACTS

1. Insert Dummy Contacts into unused contact cavities.
2. Dummy Contacts may be installed using contact insertion tool, needle nose pliers or by hand (space permitting).
3. Isopropyl alcohol may be used to facilitate insertion of Dummy Contacts.
4. Push Dummy Contact into cavity until flange locks into contact retention clip.
5. Attempt to pull Dummy Contact from connector body to ensure full retention.

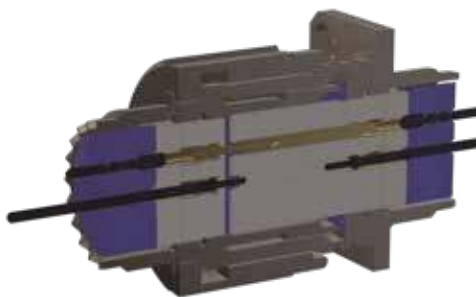
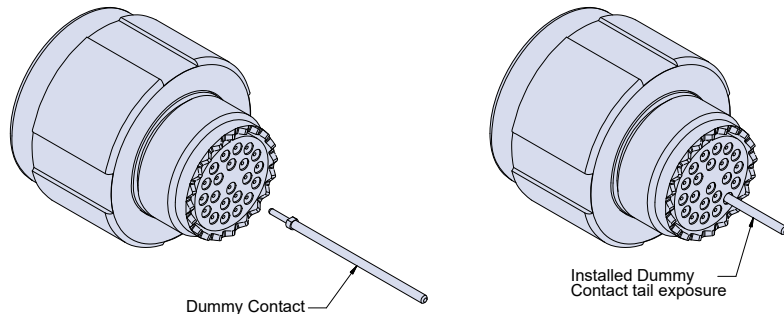
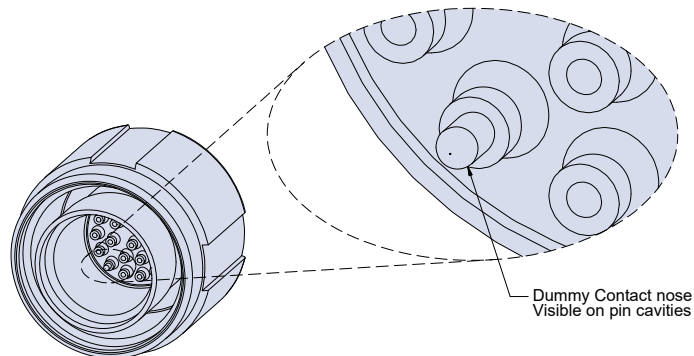
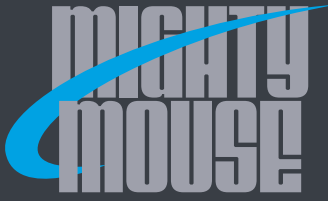


Illustration shows conventional sealing plug / contact configuration (top) and long form-factor Dummy Contact Sealing Plugs (bottom).



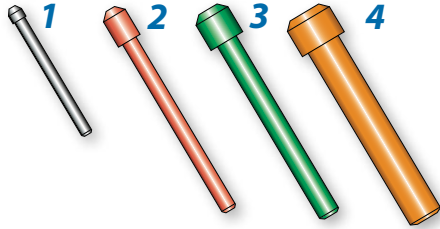
CONTACTS AND TOOLS



SERIES 80
Mighty Mouse Connectors
Grommet Sealing Plugs
For All Series 80 Connectors



GROMMET SEALING PLUGS



Grommet sealing plugs are used to seal unwired contact cavities. The size #23 sealing plug is specially designed to fit Glenair Series 80 grommets. Sizes 20, 16 and 12 plugs conform to MS27488 requirements. After installing unwired contacts into unused cavities, insert knob end of sealing plug into grommet until it bottoms against the unwired contact per illustration. Install sealing plugs with standard contact insertion/extraction tools. Size #23 plug is polyphenylsulphone, other sizes are per MS27488 requirements.

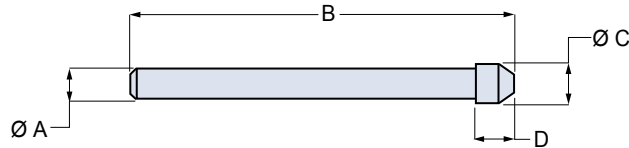
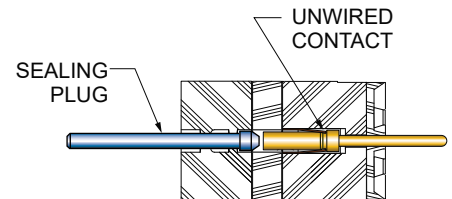


Fig.	Size	Color	Part Number	Military Part Number	Insertion/Removal Tool	A Ref.		B Ref.		C Ref.		D Ref.	
						in.	mm.	in.	mm.	in.	mm.	in.	mm.
1	#23	Black	809-155	(None)	M81969/14-01	.040	1.02	.51	13.0	.052	1.32	.050	1.27
2	#20	Red	859-012	MS27488-20-2	M81969/14-11	.053	1.35	.82	20.8	.085	2.16	.125	3.18
3	#16	Green	859-013	MS27488-16-2	M81969/14-03	.074	1.88	.88	22.4	.125	3.18	.125	3.18
4	#12	Orange	859-014	MS27488-12-2	M81969/14-04	.120	3.05	.85	21.6	.165	4.19	.125	3.18

Installation of Sealing Plugs

“When installing sealing plug in connector cavities without contacts, the end opposite the knob shall be inserted first and the knob shall be seated against the grommet face. When installing into cavities with contacts, the sealing plugs shall be installed knob end first and shall bottom on the contact wire barrel.” (NAVAIR 01-1A-505-1 Installation manual)





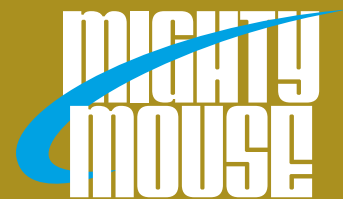
SERIES 800 MIGHTY MOUSE

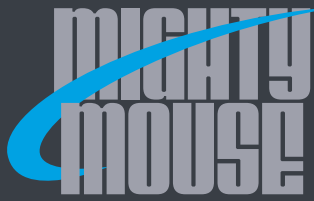
UN Threaded Coupling

UN fine-pitch threaded micro miniature connector for test equipment and instrumentation



Crimp-contact Series 800 Mighty Mouse Connectors are equipped with fine-pitch UN mating threads and are available with size #23, #20, #12 and #8 contacts in solder cup, PCB, hermetic or insulated wire and cable configurations.





SERIES 800 UN THREAD MATING Mighty Mouse Connectors and Cables Product Selection Guide



Series 800

Connector features and benefits, connector weights, contact arrangement layouts, panel cut-out dimensions, and key/keyway positions and polarizations

Page D-2



Series 800 Plug with Crimp Removable Contacts

Available with hex or knurled coupling nuts. The integral shield termination platform accepts heat-shrink boots (ordered separately). Select accessory threads for use with a variety of strain relief and backshell accessory options.

Page D-8



Series 800 Receptacle with Crimp Removable Contacts

Jam-nut, square flange, and in-line versions available. Integral shield termination platform accepts heat-shrink boots (ordered separately), or select accessory threads for use with a variety of strain relief and backshell accessory options. Contacts are crimp-type and are packaged with the connector.

Page D-10



Series 800 Receptacle with Solder Cup or PC Tail Contacts

Panel mount connectors feature gold plated, factory-installed nonremovable contacts. Choose printed circuit terminals for attachment to flex circuits or rigid boards, or choose solder cup contacts for direct wire termination. Connectors are potted with epoxy for general purpose applications. Connector is backpotted and parylene compatible. Open face water tight version, also available, is leak-tested versions for 1 meter water immersion.

Page D-14



Series 800 PCB Mount Right Angle Header Receptacle

Supplied with factory-installed, non-removable PC tail contacts for attachment to rigid boards or flex circuits. Includes threaded inserts for attachment to PC board. Epoxy-sealed and parylene compatible

Page D-17



Series 800 PCB Hermetic Receptacle

Miniaturize glass-sealed hermetic receptacle connectors are available with solder cup or PC tail contacts. Jam-nut, square flange, or solder mount versions available. Contacts are gold plated iron alloy. 100% tested to meet 1×10^{-7} cc/sec helium leakage. Backpotted and parylene compatible.

Page D-22



Series 800 Bulkhead Feed-Thru Receptacle Connector

Jam-nut mount, shell sizes 5 to 12. This connector mates with all series 800 plug connectors with the same polarization and opposite contact genders. Alloy 52 gold-plate contacts. pin-pin, pin-socket, and socket-socket contact styles available.

Page D-26



Series 800 Cordsets

Specify overmolded cordsets for optimum convenience and performance. Select standard overmolded polyurethane-jacketed cable for general purpose applications or choose ultraflexible textile polyurethane jackets for their low-smoke, zero halogen properties and for applications where toxic combustible materials are restricted.

Page D-28



SERIES 800 Micro miniature Connectors

Glenair Series 800 Mighty Mouse Offers Environmental Sealing and Rugged Design in a Lightweight, Micro Miniature Package

Series 800 connectors are intended for light and medium duty applications where size, weight, and cost outweigh the need for heavier-duty shells and coupling. Terminate shielded cable directly to the integral band platform for excellent EMI protection. Originally used for aerospace sensors, these Series 800 connectors have proven to be a good solution for small form-factor tactical equipment including keyboards, radios, ruggedized RPDA's, and other dismounted soldier equipment. These connectors meet the requirements of MIL-STD-810 for immersion, vibration, sand and dust, shock, and corrosion resistance.

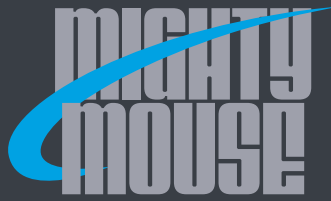
Features:

- **UN Threaded Coupling Mechanism**
- **Crimp Rear-Release Contacts**
- **Integral Band Platform**
- **Available with Size #12, #16, #20, #20HD and #23 contacts**
- **Environmentally Sealed**

Materials and Finishes	
Shells, Jam-nuts	Aluminum alloy or stainless steel
Contacts	Copper alloy, 50 µlnch gold plated
Insulators	High-Grade Rigid Dielectric
Contact Retention Clip	Beryllium copper alloy
Interfacial Seal, O-rings, Wire Sealing Grommet	Fluorosilicone rubber

Specifications	
Current Rating	#23-5 A, #20-7.5 A, #16-13 A, #12-23 A
Dielectric Withstanding Voltage	#23-750 VAC, #20HD- 1000 VAC, #12 and #16-1800 VAC
Insulation Resistance	5000 megohms minimum
Operating Temperature	-65° C. to +175° C.
Shock	300 g.
Vibration	37 g.
Shielding Effectiveness	55 dB minimum from 100MHz to 1000MHz.
Durability	2000 mating cycles

SERIES 800 UN THREAD MATING



SERIES 800 UN THREAD MATING
Mighty Mouse Connectors and Cables
Connector Weights



Connector Weights			
Maximum Weight In Grams			
Layout	Cable Plug	Jam-nut Receptacle	
		Crimp Contacts	PCB Contacts
5-3P	3.6	2.5	2.5
5-3S	3.7	2.6	2.6
6-1P	4.3	3.2	3.2
6-1S	4.4	3.3	3.3
6-4P	4.8	3.7	3.9
6-4S	5.2	4.0	3.7
6-6P	4.9	3.8	4.2
6-6S	5.3	4.1	4
6-7P	4.8	3.6	3.7
6-7S	4.7	4.0	3.9
6-23P	4.3	3.1	3.2
6-23S	4.6	3.4	3.3
7-1P	5.7	4.7	4.4
7-1S	5.9	5.0	4.5
7-10P	6.9	5.7	5.1
7-10S	7.4	6.2	5.4
7-25P	5.6	4.6	4.3
7-25S	5.9	5	4.3
8-2P	7.4	6.2	6.2
8-2S	8.1	6.9	6.9
8-28P	7.6	6.4	6.8
8-28S	8.6	7.4	7.5
8-13P	6.7	5.5	5.5
8-13S	7.2	5.9	5.9
8-200P	7.7	6.5	6.5
8-200S	8.4	7.2	7.2
9-4P	8.7	7.4	6.7
9-4S	8.8	7.6	6.8
9-210P	8.5	7.2	6.2
9-210S	8.8	7.6	6.5
9-19P	10.5	9.2	7.7
9-19S	11.2	9.6	7.9
9-200P	8.3	6.8	6.2
9-200S	9.4	7.9	7.3
9-201P	8.4	6.9	6.3

Connector Weights			
Maximum Weight In Grams			
Layout	Cable Plug	Jam-nut Receptacle	
		Crimp Contacts	PCB Contacts
9-201S	9.5	8.0	7.4
10-2P	9.5	9.7	11.3
10-2S	10.8	11	12.8
10-5P	9.7	9.9	12.2
10-5S	11.1	11.3	13.6
10-26P	7.9	8.1	10.5
10-26S	8.6	8.4	9.9
10-200P	8.8	9.0	11.3
10-200S	10.3	10.6	12.8
10-201P	9.1	9.4	11.7
10-201S	10.7	10.9	13.2
10-202P	8.8	9.0	11.2
10-202S	10.2	10.5	12.8
12-2P	10.5	10.1	11.6
12-2S	10.6	10.2	11.7
12-3P	10.7	10.3	11.8
12-3S	10.8	10.5	11.9
12-7P	14.3	13.8	15.3
12-7S	16.9	16.5	17.9
12-37P	12.5	12.1	13.5
12-37S	16.1	13.6	14.9
12-200P	13.2	12.8	14.2
12-200S	15.5	15.1	16.5
12-201P	13.3	12.9	14.3
12-201S	15.7	15.3	16.7
12-220P	11.3	10.6	13.9
12-220S	12.2	11.7	14.2
12-202P	10.6	10.2	13
12-202S	11.1	10.6	12.9
12-203P	10.2	10.5	13.5
12-203S	11.4	10.9	13.4
12-204P	11	10.6	13.3
12-204S	11.5	11	13.4
12-205P	12.1	11.7	17.6
12-205S	12.5	12	18

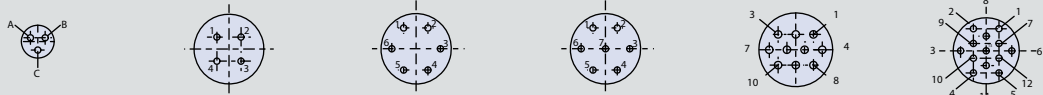
SERIES 800 UN THREAD MATING



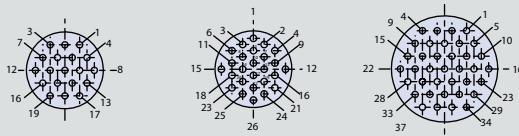
SERIES 800 UN THREAD MATING
Mighty Mouse Connectors and Cables
 Contact Arrangements,
 Mating Face of Pin Insert Shown



SIZE #23 CONTACTS, TESTED AT 750 VAC

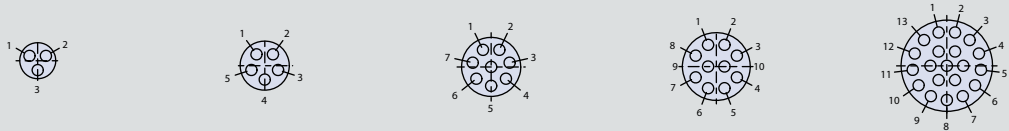


Insert Arrangement	5-3	6-4	6-6	6-7	7-10	8-13
No. of Contacts	3	4	6	7	10	13



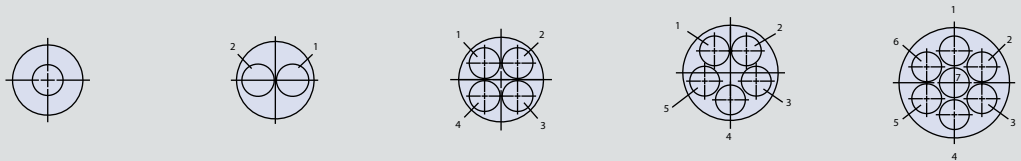
Insert Arrangement	9-19	10-26	12-37
No. of Contacts	19	26	37

SIZE #20HD CONTACTS, TESTED AT 1000 VAC



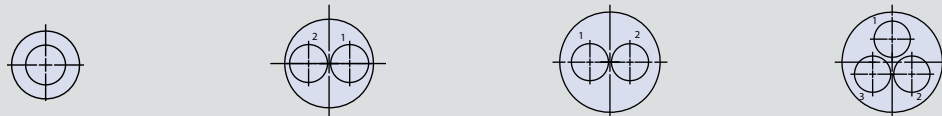
Insert Arrangement	6-23	7-25	8-28	9-210	12-220
No. of Contacts	3	5	8	10	20

SIZE #16 CONTACTS, TESTED AT 1800 VAC



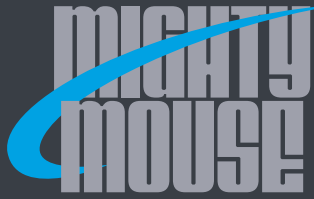
Insert Arrangement	6-1	8-2	9-4	10-5	12-7
No. of Contacts	1	2	4	5	7

SIZE #12 CONTACTS, TESTED AT 1800 VAC



Insert Arrangement	7-1	10-2	12-2	12-3
No. of Contacts	1	2	2	3

SERIES 800 UN THREAD MATING



SERIES 800 UN THREAD MATING
Mighty Mouse Connectors and Cables



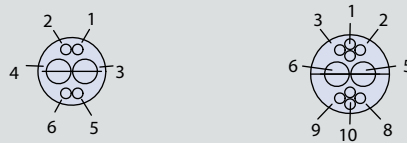
Contact Arrangements,
Mating Face of Pin Insert Shown

SIZE #20 AND SIZE #23, COMBO CONTACT ARRANGEMENTS, TESTED AT 750 VAC



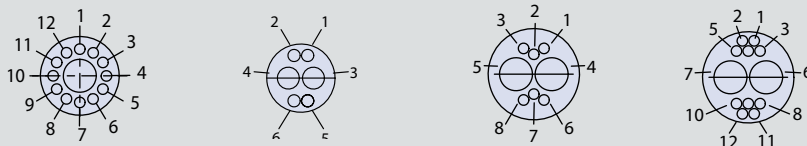
Insert Arrangement	8-200		9-201	
Contact Size	#20	#23	#20	#23
No. of Contacts	2	4	2	8

SIZE #16 AND SIZE #23, COMBO CONTACT ARRANGEMENTS, TESTED AT 750 VAC



Insert Arrangement	9-200		10-202	
Contact Size	#16	#23	#16	#23
No. of Contacts	2	4	2	8

SIZE #12 AND SIZE #23, COMBO CONTACT ARRANGEMENTS, TESTED AT 750 VAC



Insert Arrangement	10-200		10-201		12-200		12-201	
Contact Size	#12	#23	#12	#23	#12	#23	#12	#23
No. of Contacts	1	12	2	4	2	6	2	10

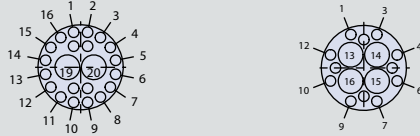
SERIES 800 UN THREAD MATING



SERIES 800 UN THREAD MATING
Mighty Mouse Connectors and Cables
 Contact Arrangements,
 Mating Face of Pin Insert Shown



SIZE #16 AND SIZE #23, COMBO CONTACT ARRANGEMENTS, TESTED AT 1300 VAC



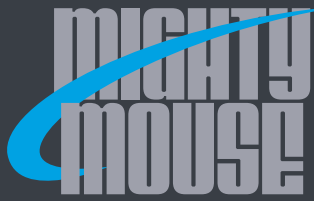
Insert Arrangement	12-202		12-203	
Contact Size	#16	#23	#16	#23
No. of Contacts	2	20	4	12

SIZE #12 AND SIZE #23, COMBO CONTACT ARRANGEMENTS, TESTED AT 1300 VAC



Insert Arrangement	12-204		12-205	
Contact Size	#12	#23	#12	#23
No. of Contacts	2	12	4	4

SERIES 800 UN THREAD MATING

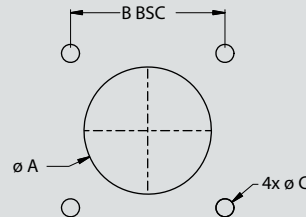
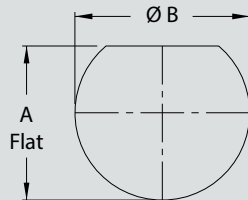


SERIES 800 UN THREAD MATING Mighty Mouse Connectors and Cables



Panel Cut-Out Dimensions Key / Keyway Positions and Polarization

PANEL CUT-OUT DIMENSIONS



Jam-Nut, Rear Panel Mount		
Shell Size	A Flat	ØB
5	.295 (7.49)	.322 (8.18)
	.291 (7.39)	.317 (8.05)
6	.362 (9.19)	.385 (9.78)
	.358 (9.09)	.380 (9.65)
7	.428 (10.87)	.448 (11.38)
	.424 (10.77)	.443 (11.25)
8	.483 (12.27)	.510 (12.95)
	.479 (12.17)	.505 (12.83)
9	.540 (13.72)	.572 (14.53)
	.536 (13.61)	.567 (14.40)
10	.614 (15.60)	.635 (16.13)
	.610 (15.49)	.630 (16.00)
12	.722 (18.34)	.760 (19.30)
	.718 (18.24)	.755 (19.18)
14	.856 (21.74)	.885 (22.48)
	.852 (21.64)	.880 (22.35)
15	.918 (23.32)	.947 (24.05)
	.914 (23.22)	.942 (23.93)

Square Flange			
Shell Size	Ø A	B BSC	Ø C
5	.328 (8.33)	.363 (9.22)	.098 (2.49)
			.094 (2.39)
6	.390 (9.91)	.423 (10.74)	.098 (2.49)
			.094 (2.39)
7	.453 (11.51)	.483 (12.27)	.132 (3.35)
			.128 (3.25)
8	.515 (13.08)	.542 (13.77)	.132 (3.35)
			.128 (3.25)
9	.578 (14.68)	.719 (18.26)	.132 (3.35)
			.128 (3.25)
10	.640 (16.26)	.719 (18.26)	.132 (3.35)
			.128 (3.25)
12	.765 (19.43)	.812 (20.62)	.132 (3.35)
			.128 (3.25)
14	.890 (22.61)	.906 (23.01)	.132 (3.35)
			.128 (3.25)
15	.953 (24.21)	.969 (24.61)	.132 (3.35)
			.128 (3.25)

KEY / KEYWAY POSITIONS AND POLARIZATIONS

Receptacle Shell Size 5 and 6	Receptacle Shell Size 7 thru 12
Key Position	Key Rotation
N Normal	150°
X	140°
Y	130°
Z	120°

Plug Shell Size 5 and 6	Plug Shell Size 7 thru 12
Key Position	Key Rotation
N Normal	150°
X	140°
Y	130°
Z	120°

SERIES 800 UN THREAD MATING



SERIES 800 UN THREAD MATING Mighty Mouse Connectors and Cables



Plug with Hex or Knurled Coupling, Crimp Contacts, Banding Porch, or Accessory Thread



Smallest Mighty Mouse Connector features a compact size and rugged design for hostile environments. Connector shells are machined aluminum or stainless steel. Supplied with crimp contacts, packaged separately. Terminate contacts with standard M22520 tools. Metal clips inside the connector body lock contact into place and can be removed via the rear release retention system. Fluorosilicone seals and rear grommet protect connector from water ingress. Choose hex or knurled coupling nut. Terminate cable shield directly to connector body with Band-Master™ ATS strap, or choose rear accessory thread to attach optional cable clamp or backshell. Available in shell sizes 5 through 12 in 36 contact arrangements.

How To Order						
Sample Part Number	800-006	-06	M	6-7	P	N
Series (See Table I)	800-006 = Hex Plug with Banding Platform 800-007 = Hex Plug with Accessory Thread 800-008 = Plug with Band Platform 800-009 = Plug with Accessory Thread					
Shell Style	-06 = Standard Coupling Nut -16 = Coupling Nut with Anti-Decoupling Wave Spring					
Shell Material and Finish	C = Aluminum / Black Anodize (Non-Conductive) M = Aluminum / Electroless Nickel NF = Aluminum / Cadmium with Olive Drab Chromate ZNU = Aluminum / Zinc-Nickel with Black Chromate MT = Aluminum / Nickel-PTFE Z1 = Stainless Steel / Passivated					
Shell Size - Insert Arrangement	See Contact Arrangements page D-4					
Contact Type	Connector supplied with contacts P = Pin S = Socket Connectors with contacts are supplied with crimp contacts. Contacts not installed. For Coaxial contacts order contacts separately and request pin or socket connector without contacts.		Connector supplied without contacts A = Pin Connector B = Socket Connector		Connector supplied with 30 AWG contacts G = Pin H = Socket	
Shell Key Positions (See Table II)	N = Normal X = Pos. X Y = Pos. Y Z = Pos. Z					

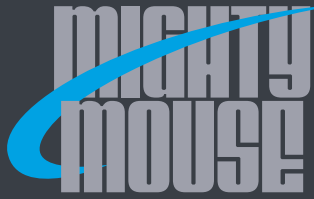
Table I: Series

800-006 Hex Plug with Banding Platform	800-007 Hex Plug with Accessory Thread	800-008 Knurled Plug with Band Platform	800-009 Knurled Plug with Accessory Thread

Table III: Keyway Positions^{6,7}

Shell Size 5 and 6	Shell Size 7 thru 12
Key Position	Key Rotation
N Normal	150°
X	140°
Y	130°
Z	120°

SERIES 800 UN THREAD MATING

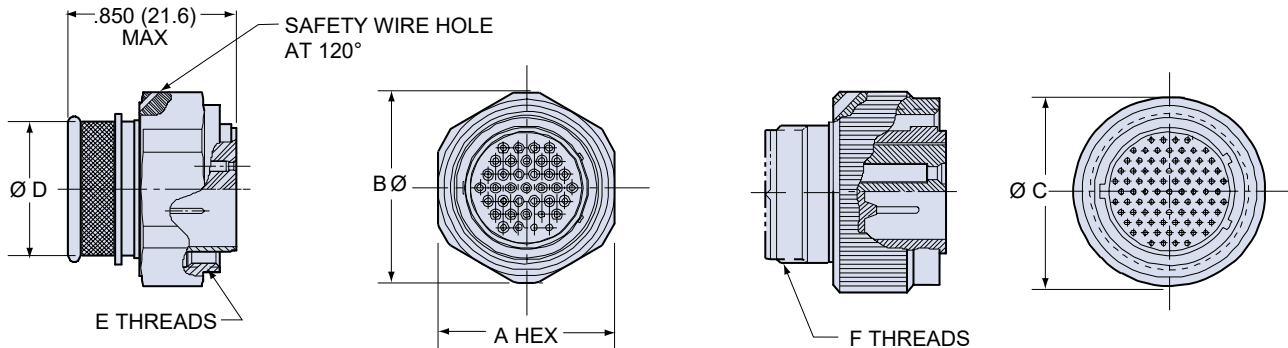


SERIES 800 UN THREAD MATING Mighty Mouse Connectors and Cables



Plug with Hex or Knurled Coupling, Crimp Contacts, Banding Porch, or Accessory Thread

PLUG CONNECTOR WITH BANDING PORCH OR ACCESSORY THREADS



Integral Band Platform
(Hex Coupling Shown)
800-006
800-008

Hex Coupling Nut
800-006
800-007

Accessory Thread
(Knurled Coupling Shown)
800-007
800-009

Knurled Coupling
800-008
800-009

Dimensions									
Shell Size	Std Coupling Nut - Style 06			Coupling Nut with Wave Spring - Style 16			Ø D	E Threads Coupling Nut	F Threads Accessory
	A Hex	Ø B	Ø C	A Hex	B Ø	Ø C			
5	.430 (10.92)	.47 (11.94)	.43 (10.92)	.495 (12.57)	.54 (13.72)	.49 (12.45)	.230 (5.84)	.3125-28 UN-2B	.250-32 UNEF-2A
6	.500 (12.70)	.55 (13.97)	.50 (12.70)	.563 (14.30)	.62 (15.75)	.56 (14.22)	.286 (7.26)	.3750-28 UN-2B	.3125-32 UNEF-2A
7	.625 (15.88)	.68 (17.27)	.62 (15.75)	.720 (18.29)	.80 (20.32)	.68 (17.27)	.390 (9.91)	.4375-28 UNEF-2B	.4375-28 UNEF-2A
8	.680 (17.27)	.75 (19.05)	.68 (17.27)	.743 (18.87)	.83 (21.08)	.75 (19.05)	.445 (11.30)	.5000-32 UN-2B	.5000-28 UNEF-2A
9	.750 (19.05)	.83 (21.08)	.75 (19.05)	.813 (20.65)	.89 (22.61)	.81 (20.57)	.500 (12.70)	.5625-32 UN-2B	.5625-24 UNEF-2A
10	.812 (20.62)	.90 (22.86)	.81 (20.57)	.875 (22.23)	.96 (24.38)	.88 (22.35)	.565 (14.35)	.6250-32 UN-2B	.6250-24 UNEF-2A
12	.875 (22.23)	.97 (24.64)	.88 (22.35)	.938 (23.83)	1.03 (26.16)	.94 (23.88)	.650 (16.51)	.7500-28 UN-2B	.6875-24 UNEF-2A

NOTES

- Contacts are size 23 crimp type, and used in a rear release retention system
- Additional insert arrangements available, consult factory
- Crimp barrel accommodates 22, 24, 26 and 28 gage wire
- Crimp tool data:
 - Crimp frame: M22520/2-01
 - Positioner for use with crimp frame: Glenair P/N 809-005
 - Insertion tool: Glenair P/N 809-088
 - Extraction tool: Glenair P/N 809-088
- Shell sizes 5 thru 6 and insert arrangement 8-13: master key is located at top dead center (TDC) for normal (N) position.
- Shell size 7 thru 12: master key is rotated 90° from TDC for normal position
- Material / finish:
 - Shell: Aluminum Alloy or CRES / see How to Order Table
 - Coupling nut: aluminum alloy or CRES: see How to Order Table
 - Insulator: High Grade Rigid Dielectric
 - Interfacial seal, grommet seal: fluorosilicone or silicone
 - Contact: copper alloy / gold plate per ASTM B 488, Type II, Class 1.25, over a suitable underplate

SERIES 800 UN THREAD MATING



SERIES 800 UN THREAD MATING Mighty Mouse Connectors and Cables



Receptacles with Rear Release Crimp Contacts, Banding Porch, or Accessory Threads



Series 800 Receptacle Connectors are available in three styles, and feature machined aluminum or stainless steel shells. Supplied with crimp removable contacts. Terminate contacts with standard M22520 tools. Fluorosilicone interfacial seal and rear grommet protect connector from water ingress. Terminate cable shield directly to 800-010 connector body with Band-Master® ATS band, or choose 800-011 with accessory thread to attach optional cable clamp or backshell.

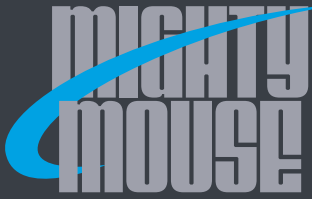
How To Order										
Sample Part Number	800-011 -01 M 6-7 P N									
Series (See Table I)	800-010 = With Banding Platform 800-011 = With Accessory Thread									
Shell Style (See Table II)	-01 = In-Line Cable Receptacle -02 = Square Flange, Front or Rear Panel Mount -07 = Jam-Nut, Rear Panel Mount									
Shell Material and Finish	C = Aluminum / Black Anodize (Non-Conductive) M = Aluminum / Electroless Nickel NF = Aluminum / Cadmium with Olive Drab Chromate ZNU = Aluminum / Zinc-Nickel with Black Chromate MT = Aluminum / Nickel-PTFE Z1 = Stainless Steel / Passivated									
Shell Size - Insert Arrangement	See Contact Arrangements page D-4									
Contact Type	<table border="0"> <tr> <td>Connector supplied with contacts</td> <td>Connector supplied without contacts</td> <td>Connector supplied with 30 AWG contacts</td> </tr> <tr> <td>P = Pin</td> <td>A = Pin Connector</td> <td>G = Pin</td> </tr> <tr> <td>S = Socket</td> <td>B = Socket Connector</td> <td>H = Socket</td> </tr> </table> <p>Connectors with contacts are supplied with crimp contacts. Contacts not installed. For Coaxial contacts order contacts separately and request pin or socket connector without contacts.</p>	Connector supplied with contacts	Connector supplied without contacts	Connector supplied with 30 AWG contacts	P = Pin	A = Pin Connector	G = Pin	S = Socket	B = Socket Connector	H = Socket
Connector supplied with contacts	Connector supplied without contacts	Connector supplied with 30 AWG contacts								
P = Pin	A = Pin Connector	G = Pin								
S = Socket	B = Socket Connector	H = Socket								
Polarization (See Table III)	N = Normal X = Pos. X Y = Pos. Y Z = Pos. Z									

SERIES 800 UN THREAD MATING

Table I: Series	
800-010 Receptacle with Band Platform	800-011 Receptacle with Accessory Thread

Table II: Shell Style		
-01 In-Line	-02 Square Flange, Rear Mount	-07 Jam-Nut, Rear Panel Mount

Table III: Keyway Positions ^{6,7}	
Shell Size 5 and 6	Shell Size 7 thru 12
Key Position	Key Rotation
N Normal	150°
X	140°
Y	130°
Z	120°

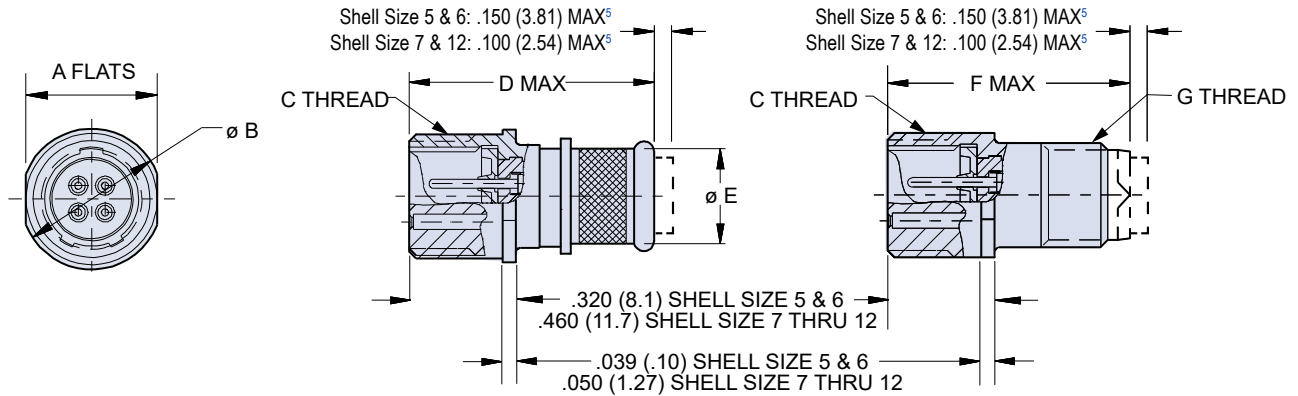


SERIES 800 UN THREAD MATING
Mighty Mouse Connectors and Cables



In-Line Receptacle with Rear Release Crimp
Contacts, Banding Porch, or Accessory Threads

IN-LINE CABLE RECEPTACLE - SHELL STYLE 01



Integral Band Platform
800-010-01

Accessory Thread
800-011-01

Dimensions							
Shell Size	A Flats	Ø B	C Threads Mating	D Max.	Ø E	F Max.	G Threads Accessory
5	.312 (7.92)	.355 (9.02)	.3125-28 UN-2A	.750 (19.05)	.230 (5.84)	.725 (18.42)	.250-32 UNEF-2A
6	.375 (9.52)	.400 (10.16)	.3750-28 UN-2A	.750 (19.05)	.286 (7.26)	.725 (18.42)	.3125-32 UNEF-2A
7	.445 (11.30)	.490 (12.45)	.4375-28 UNEF-2A	.825 (20.96)	.390 (9.91)	.800 (20.32)	.4375-28 UNEF-2A
8	.550 (13.97)	.600 (15.24)	.5000-32 UN-2A	.825 (20.96)	.445 (11.30)	.800 (20.32)	.5000-28 UNEF-2A
9	.613 (15.57)	.663 (16.84)	.5625-32 UN-2A	.825 (20.96)	.500 (12.70)	.800 (20.32)	.5625-24 UNEF-2A
10	.675 (17.15)	.725 (18.42)	.6250-32 UN-2A	.825 (20.96)	.565 (14.35)	.800 (20.32)	.6250-24 UNEF-2A
12	.800 (20.32)	.850 (21.59)	.7500-28 UN-2A	.825 (20.96)	.650 (16.51)	.800 (20.32)	.6875-24 UNEF-2A

NOTES

- Contacts are size 23 crimp type, and used in a rear release retention system
- Additional insert arrangements available, consult factory
- Crimp barrel accommodates 22, 24, 26 and 28 gage wire
- Crimp tool data:
 - Crimp frame: M22520/2-01
 - Positioner for use with crimp frame: Glenair P/N 809-005
 - Insertion/extraction tool: Glenair P/N 809-008
- Grommet protrudes for power/combo arrangements
- Shell sizes 5 thru 6 and insert arrangement 8-13: master key is located at top dead center (TDC) for normal (N) position.
- Shell size 7 thru 12: master key is rotated 90° from TDC for normal position
- Material / finish:
 - Shell: Aluminum Alloy or CRES / see How to Order Table
 - Insulator: High Grade Rigid Dielectric
 - Interfacial seal, grommet seal: fluorosilicone or silicone
 - Contact: copper alloy / gold plate per ASTM B 488, Type II, Class 1.25, over a suitable underplate

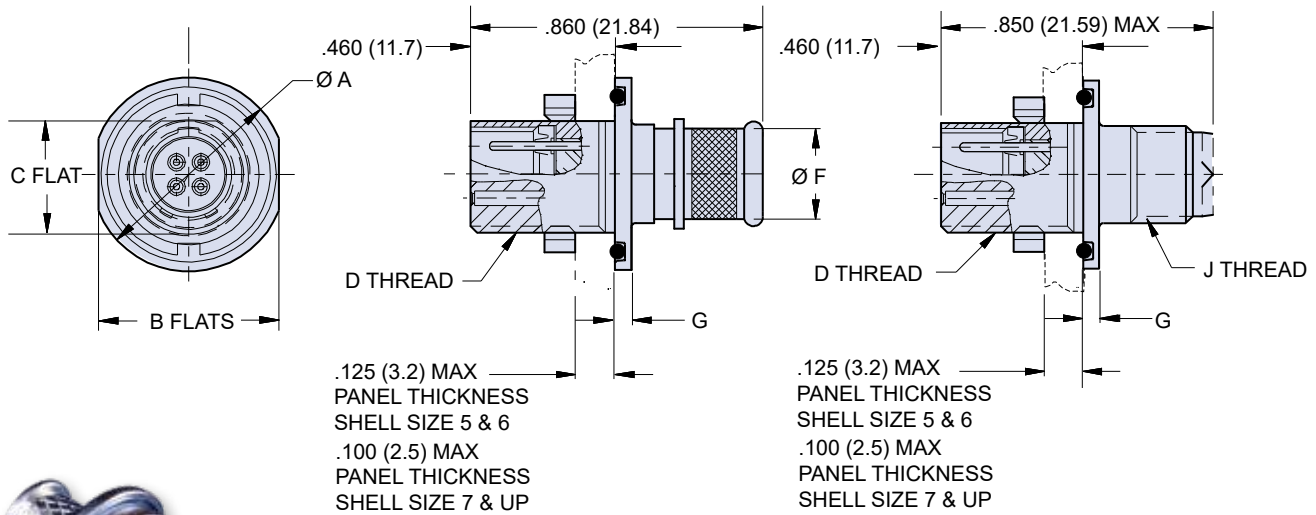


SERIES 800 UN THREAD MATING
Mighty Mouse Connectors and Cables



Jam-Nut Receptacle with Rear Release Crimp Contacts, Banding Porch, or Accessory Threads

JAM-NUT, REAR PANEL MOUNT RECEPTACLE - SHELL STYLE 07



Integral Band Platform
800-010-07

Accessory Thread
800-011-07

Dimensions							
Shell Size	Ø A	B Flat	C Flat	D Threads Mating	Ø F	G	J Threads Accessory
5	.541 (13.74)	.500 (12.70)	.285 (7.24)	.3125-28 UN-2A	.230 (5.84)	.051 (1.30)	.250-32 UNEF-2A
6	.610 (15.49)	.562 (14.27)	.352 (8.94)	.3750-28 UN-2A	.286 (7.26)	.051 (1.30)	.3125-32 UNEF-2A
7	.670 (17.02)	.635 (16.13)	.418 (10.62)	.4375-28 UNEF-2A	.390 (9.91)	.093 (2.36)	.4375-28 UNEF-2A
8	.775 (19.68)	.735 (18.67)	.473 (12.01)	.5000-32 UN-2A	.445 (11.30)	.093 (2.36)	.5000-28 UNEF-2A
9	.875 (22.23)	.806 (20.47)	.530 (13.46)	.5625-32 UN-2A	.500 (12.70)	.093 (2.36)	.5625-24 UNEF-2A
10	.980 (24.89)	.940 (23.88)	.604 (15.34)	.6250-32 UN-2A	.565 (14.35)	.093 (2.36)	.6250-24 UNEF-2A
12	1.062 (26.97)	.986 (25.04)	.712 (18.08)	.7500-28 UN-2A	.650 (16.51)	.093 (2.36)	.6875-24 UNEF-2A

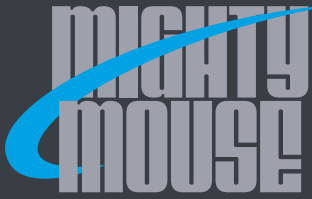
NOTES:

1. See page D-7 for panel cut-out dimensions

Material / finish:

- Shell, jam-nut: Aluminum Alloy or CRES / see How to Order Table
- Insulator: High Grade Rigid Dielectric
- Interfacial seal, grommet seal: fluorosilicone or silicone
- Contact: copper alloy / gold plate per ASTM B 488, Type II, Class 1.25, over a suitable underplate

SERIES 800 UN THREAD MATING

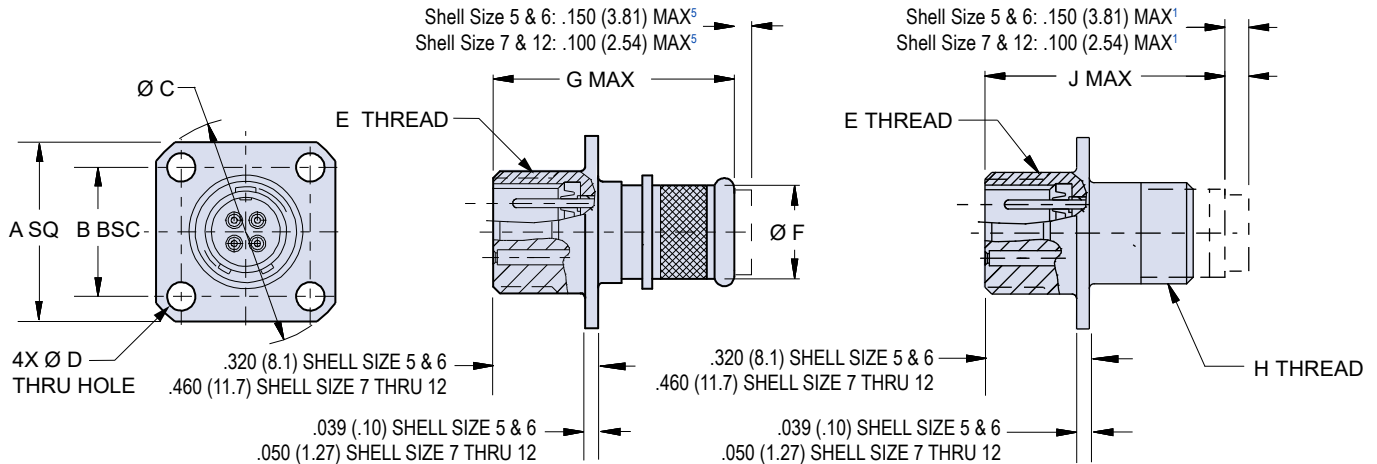


SERIES 800 UN THREAD MATING
Mighty Mouse Connectors and Cables



Square-Flange Receptacle with Crimp Contacts,
Banding Porch, or Accessory Threads

SQUARE FLANGE REAR PANEL MOUNT RECEPTACLE - SHELL STYLE 02



Integral Band Platform
800-010-02

Accessory Thread
800-011-02

Dimensions

Shell Size	A SQ	B Bsc	Ø C	Ø D ± .005 (± 0.13)	E Threads Mating	Ø F	G Max.	H Threads Accessory	J Max.
5	.527 (13.39)	.363 (9.22)	.680 (17.27)	.094 (2.39)	.3125-28 UN-2A	.230 (5.84)	.730 (18.54)	.250-32 UNEF-2A	.725
6	.588 (14.94)	.423 (10.74)	.750 (19.05)	.094 (2.39)	.3750-28 UN-2A	.286 (7.26)	.730 (18.54)	.3125-32 UNEF-2A	.725
7	.650 (16.51)	.483 (12.27)	.830 (21.08)	.128 (3.25)	.4375-28 UNEF-2A	.390 (9.91)	.805 (20.45)	.4375-28 UNEF-2A	.800
8	.710 (18.03)	.542 (13.77)	.938 (23.83)	.128 (3.25)	.5000-32 UN-2A	.445 (11.30)	.805 (20.45)	.5000-28 UNEF-2A	.800
9	.938 (23.83)	.719 (18.26)	1.250 (31.75)	.128 (3.25)	.5625-32 UN-2A	.500 (12.70)	.805 (20.45)	.5625-24 UNEF-2A	.800
10	.938 (23.83)	.719 (18.26)	1.250 (31.75)	.128 (3.25)	.6250-32 UN-2A	.565 (14.35)	.805 (20.45)	.6250-24 UNEF-2A	.800
12	1.031 (26.19)	.812 (20.62)	1.375 (34.92)	.128 (3.25)	.7500-28 UN-2A	.650 (16.51)	.805 (20.45)	.6875-24 UNEF-2A	.800

NOTES:

1. See page D-7 for panel cut-out dimensions

Material / finish:

- Shell: Aluminum Alloy or CRES / see How to Order Table
- Insulator: High Grade Rigid Dielectric
- Interfacial seal, grommet seal: fluorosilicone or silicone
- Contact: copper alloy / gold plate per ASTM B 488, Type II, Class 1.25, over a suitable underplate



SERIES 800 UN THREAD MATING Mighty Mouse Connectors and Cables

Receptacles with PC Tails or Solder Cups



Environmental, PCB Receptacle 800-012 connectors feature low profile shells for minimum protrusion inside enclosures and integral board standoffs. Contacts are non-removable. Specify 800-012 connectors for applications where open face water immersion is not a requirement.

Water Tight PCB Receptacle 800-040 connectors are identical to 800-012, but are specially sealed ("MOD-518") and 100% tested to maintain a helium leak rate of less than 1×10^{-4} cc/second at one ATM. Connectors meet MIL-STD-810 Method 512G immersion requirements in unmated/open face condition.

How To Order						
Sample Part Number	800-012	-07	M	7-10	P	Z
Series	800-012 = Environmental Receptacle with Solder Cups or PC Tails 800-040 = Receptacle, same as 800-012,					
Shell Style (See Table I)	-02 = Square Flange -07 = Jam-Nut (See <i>Jam-Nut Panel Cutout Dimensions Page D</i>)					
Shell Material and Finish	C = Aluminum / Black Anodize (Non-Conductive) M = Aluminum / Electroless Nickel NF = Aluminum / Cadmium with Olive Drab Chromate ZNU = Aluminum / Zinc-Nickel with Black Chromate MT = Aluminum / Nickel-PTFE Z1 = Stainless Steel / Passivated					
Shell Size - Insert Arrangement	See Contact Arrangements page D-4					
Contact Type	P = Pin, PC Tail E = Pin, Solder Cup S = Socket, PC Tail F = Socket, Solder Cup					
Polarization (See Table II)	N = Normal X = Pos. X Y = Pos. Y Z = Pos. Z					

Table II: Shell Key Positions ^{1,2}	
Shell Size 5 and 6	Shell Size 7 thru 12
Key Position	Key Rotation
N Normal	150°
X	140°
Y	130°
Z	120°

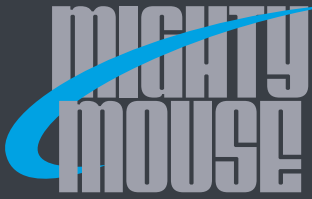
Shell sizes 5 thru 6 and insert arrangement 8-13: master key is located at top dead center for normal (N) position. Shell size 7 thru 12: master key is rotated 90° from TDC for normal position

Table I: Shell Style	
-02 Square Flange Front Mount	-07 Jam-Nut for Rear Panel Mounting

NOTE

- Shell sizes 5 thru 6 and insert arrangement 8-13: master key is located at top dead center (TDC) for normal (N) position.
- Shell size 7 thru 12: master key is rotated 90° from TDC for normal position
- See page D-7 for panel cut-out dimensions
- Material / finish:
 - Receptacle shell: aluminum alloy or CRES / see How to Order Table
 - Insulator: High Grade Rigid Dielectric / N.A.
 - Interfacial seal, O-ring: fluorosilicone rubber
 - Contact: copper alloy / gold plate per ASTM B 488, Type II, Class 1.25, over a suitable underplate
 - Potting compound: epoxy

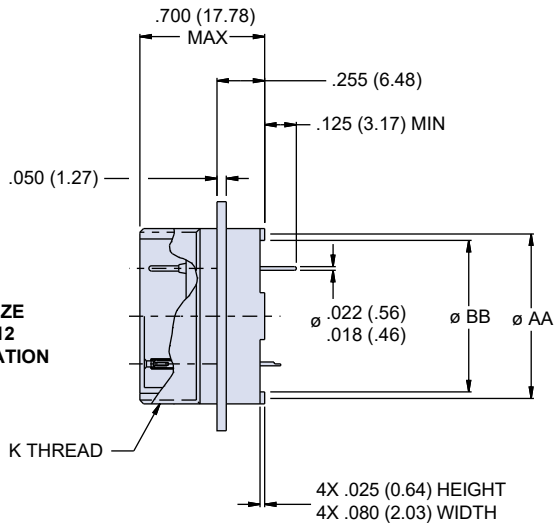
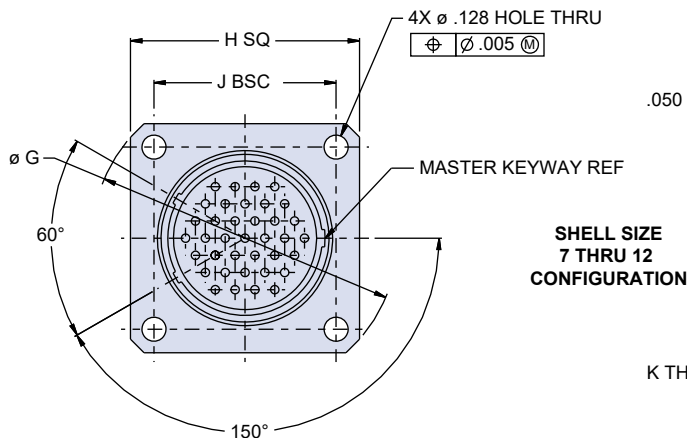
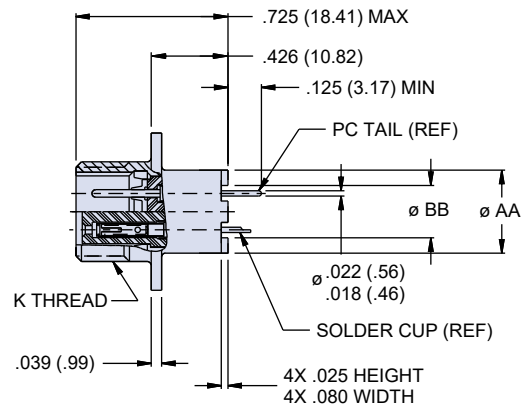
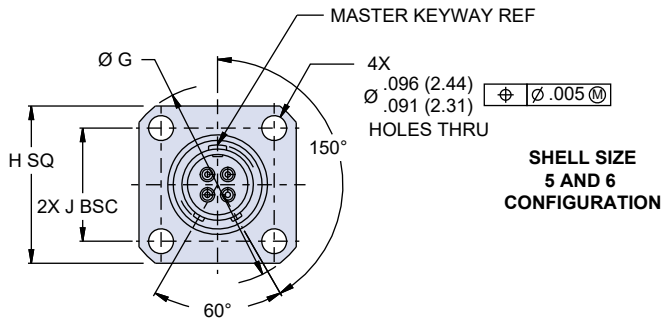
SERIES 800 UN THREAD MATING



SERIES 800 UN THREAD MATING
Mighty Mouse Connectors and Cables
 Square Flange-Mount Receptacle
 with PC Tails or Solder Cups



SQUARE FLANGE-MOUNT PCB RECEPTACLE - SHELL STYLE 02



Dimensions						
Shell Size	Ø G	H SQ	J BSC	K Thread	Ø AA O.D.	Ø BB I.D.
5	.680 (17.27)	.527 (13.39)	.363 (9.22)	.3125-28 UN-2A	.265 (6.73)	.186 (4.72)
6	.750 (19.05)	.588 (14.94)	.423 (10.74)	.3750-28 UN-2A	.330 (8.38)	.238 (6.05)
7	.850 (21.59)	.650 (16.51)	.483 (12.27)	.4375-28 UNEF-2A	.424 (10.77)	.327 (8.31)
8	.938 (23.83)	.710 (18.03)	.542 (13.77)	.5000-32 UN-2A	.448 (11.38)	.388 (9.86)
9	1.250 (31.75)	.938 (23.83)	.719 (18.26)	.5625-32 UN-2A	.500 (12.70)	.446 (11.33)
10	1.250 (31.75)	.938 (23.83)	.719 (18.26)	.6250-32 UN-2A	.575 (14.60)	.515 (13.08)
12	1.375 (34.92)	1.031 (26.19)	.812 (20.62)	.7500-28 UN-2A	.660 (16.76)	.599 (15.21)

SERIES 800 UN THREAD MATING



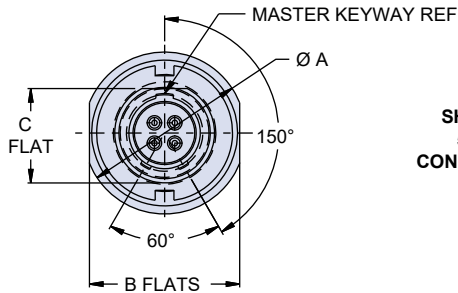
SERIES 800 UN THREAD MATING

Mighty Mouse Connectors and Cables

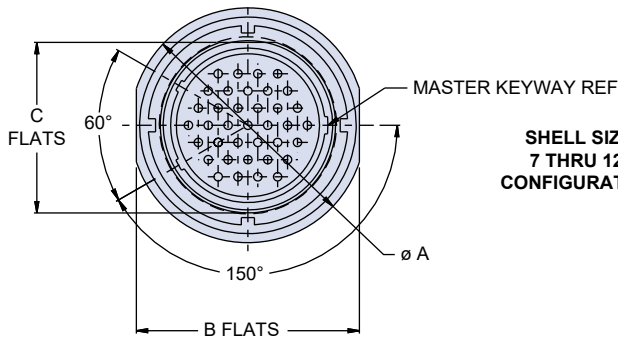
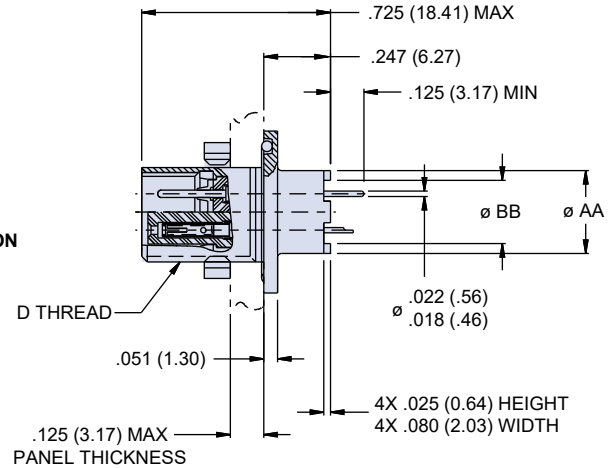


Jam-Nut Receptacle with PC Tails or Solder Cups

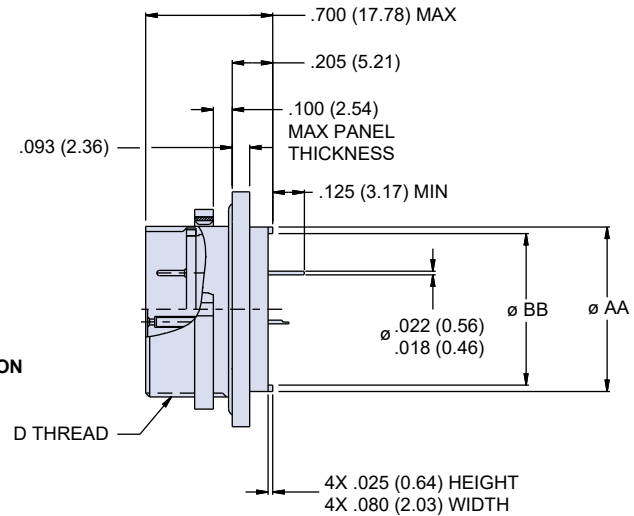
JAM-NUT MOUNT PCB RECEPTACLE - SHELL STYLE 07



SHELL SIZE 5 AND 6 CONFIGURATION

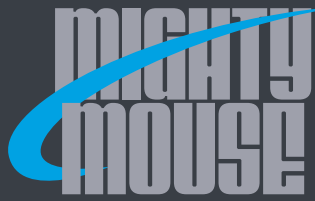


SHELL SIZE 7 THRU 12 CONFIGURATION



SERIES 800 UN THREAD MATING

Dimensions				
Shell Size	Ø A	B Flat	C Flat	D Thread
5	.541 (13.74)	.500 (12.70)	.285 (7.24)	.3125-28 UN-2A
6	.610 (15.49)	.562 (14.27)	.352 (8.94)	.3750-28 UN-2A
7	.670 (17.02)	.635 (16.13)	.411 (10.44)	.4375-28 UNEF-2A
8	.775 (19.68)	.735 (18.67)	.473 (12.01)	.5000-32 UN-2A
9	.875 (22.23)	.806 (20.47)	.530 (13.46)	.5625-32 UN-2A
10	.980 (24.89)	.940 (23.88)	.604 (15.34)	.6250-32 UN-2A
12	1.062 (26.97)	.986 (25.04)	.712 (18.08)	.7500-28 UN-2A



SERIES 800 UN THREAD MATING Mighty Mouse Connectors and Cables



Right-Angle Jam-Nut Receptacle with PC Tails



Printed Circuit Board Right Angle I/O Header features gold-plated size #23 contacts. UN mating thread, and aluminum or stainless steel shells. Rubber seal protects mated connectors from water ingress. 5 amp current rating, 500 VAC voltage rating. Contacts are factory-installed and are non-removable. Thermoplastic rear housing has #2-56 threaded inserts for attaching to circuit board with customer-supplied mounting screws. Connectors attach to chassis or panel with low-profile jam-nut and O-ring. Available in six contact arrangements, these right angle headers are ideal for hostile environments where 100/100BASE-T Ethernet RJ-45 commercial-grade jacks are not advised.

How To Order	
Sample Part Number	800-032 -07 M 7-10 P Z
Series	800-032 PCB Receptacle
Shell Style	-07 = Jam-Nut
Shell Material and Finish	C = Aluminum / Black Anodize (Non-Conductive) M = Aluminum / Electroless Nickel NF = Aluminum / Cadmium with Olive Drab Chromate ZNU = Aluminum / Zinc-Nickel with Black Chromate MT = Aluminum / Nickel-PTFE Z1 = Stainless Steel / Passivated
Shell Size - Insert Arrangement	5-3, 6-1, 6-4, 6-6, 6-7, 7-1, 7-10, 8-2, 8-13, 9-4, 9-19, 9-200, 10-2, 10-5, 10-201
Contact Type	P = Pin, PC Tail S = Socket, PC Tail
Shell Key Position (See Table I)	N = Normal X = Pos. X Y = Pos. Y Z = Pos. Z

Table II: Shell Key Positions ^{1,2}	
Shell Size 5, 6 and insert arrangement 8-2	Shell Size 7, 9, 10 and insert arrangement 8-13
Key Position	Key Rotation
N Normal	150°
X	140°
Y	130°
Z	120°

Shell sizes 5 and 6 and insert arrangement 8-13: master key is located at top dead center for normal (N) position. Shell size 7, 8, 9, 10 and insert arrangement 8-2: master key is rotated 90° from TDC for normal position

NOTES

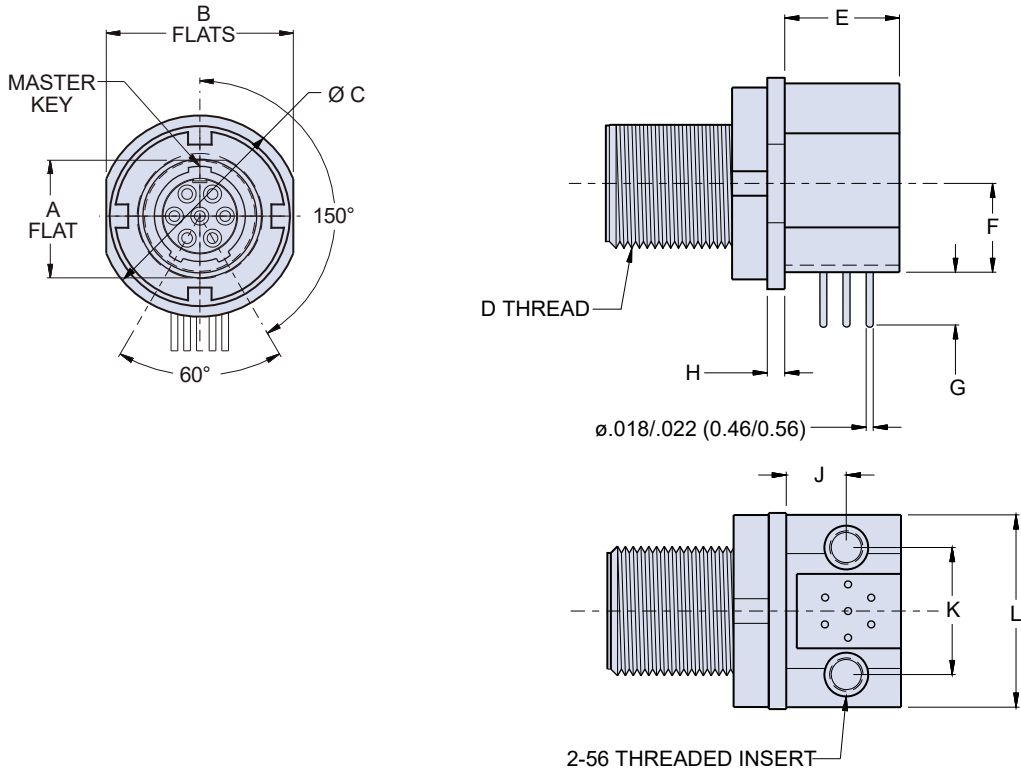
- Material / finish:
 - Receptacle shell, jam-nut: aluminum alloy or CRES / see How to Order Table
 - Insulator: High Grade Rigid Dielectric / N.A.
 - Interfacial seal, O-ring: fluorosilicone
 - Contact: copper alloy / gold plate per ASTM B 488, Type II, Class 1.25, over a suitable underplate
 - Potting: epoxy



SERIES 800 UN THREAD MATING
Mighty Mouse Connectors and Cables
 Right-Angle Jam-Nut Receptacle
 with PC Tails

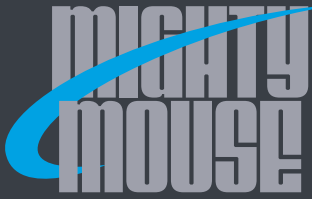


RIGHT-ANGLE JAM-NUT MOUNT PCB RECEPTACLE - SHELL STYLE 07



Size - Arr	Dimensions										
	A Flat ±.005 (±0.13)	B Flat	Ø C	D Threads	E	F	G ±.035 (±0.89)	H ±.005 (±0.13)	J	K	L
5-3	.282 (7.16) .291 (7.39)	.497 (12.62)	.538 (13.67)	.3125-28 UN-2A	.260 (6.60)	.235 (5.97)	.257 (6.53)	.050 (1.27)	.165 (4.19)	.310 (7.87)	.49 (12.45)
6-1	.350 (8.89) .359 (9.12)	.559 (14.20)	.602 (15.29)	.3750-28 UN-2A	.350 (8.89)	.225 (5.72)	.285 (7.24)	.050 (1.27)	.224 (5.69)	.385 (9.78)	.58 (14.73)
6-4		.559 (14.20)	.602 (15.29)	.3750-28 UN-2A	.330 (8.38)	.225 (5.72)	.285 (7.24)	.050 (1.27)	.224 (5.69)	.385 (9.78)	.58 (14.73)
6-6,6-7		.559 (14.20)	.602 (15.29)	.3750-28 UN-2A	.350 (8.89)	.225 (5.72)	.285 (7.24)	.050 (1.27)	.187 (4.75)	.408 (10.36)	.58 (14.73)
7-1	.409 (10.39)	.643 (16.33)	.664 (16.87)	.4375-28 UNEF-2A	.350 (8.89)	.296 (7.52)	.200 (5.08)	.092 (2.34)	.170 (4.32)	.452 (11.48)	.71 (18.03)
7-10	.418 (10.62)	.643 (16.33)	.664 (16.87)	.4375-28 UNEF-2A	.350 (8.89)	.296 (7.52)	.274 (6.96)	.092 (2.34)	.170 (4.32)	.452 (11.48)	.71 (18.03)
8-2	.471 (11.96)	.731 (18.57)	.770 (19.56)	.5000-28 UN-2A	.490 (12.45)	.320 (8.13)	.336 (8.53)	.092 (2.34)	.230 (5.84)	.490 (12.45)	.71 (18.03)
8-13	.480 (12.19)	.731 (18.57)	.770 (19.56)	.5000-32 UN-2A	.490 (12.45)	.320 (8.13)	.315 (8.00)	.092 (2.34)	.230 (5.84)	.490 (12.45)	.71 (18.03)
9-4	.528 (13.41) .537 (13.64)	.803 (20.40)	.872 (22.15)	.5625-28 UN-2A	.490 (12.45)	.362 (9.19)	.288 (7.32)	.092 (2.34)	.342 (8.69)	.600 (15.24)	.80 (20.32)
9-19		.803 (20.40)	.872 (22.15)	.5625-32 UN-2A	.490 (12.45)	.362 (9.19)	.283 (7.19)	.092 (2.34)	.342 (8.69)	.600 (15.24)	.80 (20.32)
9-200		.803 (20.40)	.872 (22.15)	.5625-28 UN-2A	.490 (12.45)	.362 (9.19)	.240 (6.10)	.092 (2.34)	.342 (8.69)	.600 (15.24)	.80 (20.32)
10-2	.602 (15.29) .611 (15.52)	.940 (23.88)	.976 (24.79)	.6250-28 UN-2A	.570 (14.48)	.397 (10.08)	.272 (6.91)	.092 (2.34)	.362 (9.19)	.640 (16.26)	.84 (21.34)
10-5		.940 (23.88)	.976 (24.79)	.6250-28 UN-2A	.570 (14.48)	.397 (10.08)	.305 (7.75)	.092 (2.34)	.362 (9.19)	.640 (16.26)	.84 (21.34)
10-201		.940 (23.88)	.976 (24.79)	.6250-28 UN-2A	.570 (14.48)	.397 (10.08)	.272 (6.91)	.092 (2.34)	.362 (9.19)	.640 (16.26)	.84 (21.34)

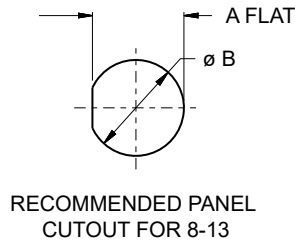
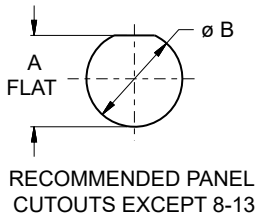
SERIES 800 UN THREAD MATING



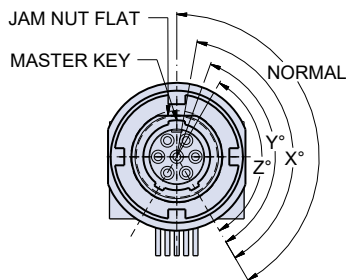
SERIES 800 UN THREAD MATING
Mighty Mouse Connectors and Cables
 Right-Angle Jam-Nut Receptacle
 with PC Tails



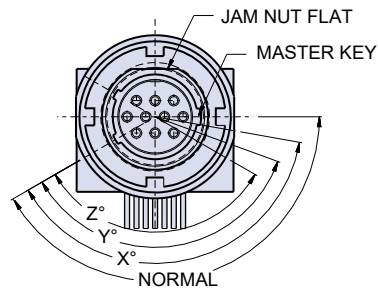
Panel Cutouts for Right Angle PCB Headers		
Shell Size	A Flat +.004 +.000	øB ±.005
5	.292 (7.42)	.322 (8.18)
6	.358 (9.09)	.385 (9.78)
7-1	.417 (10.59)	.447 (11.35)
7-10	.417 (10.59)	.479 (12.17)
8	.479 (12.17)	.510 (12.95)
9	.536 (13.61)	.572 (14.53)
10	.610 (15.49)	.635 (16.13)



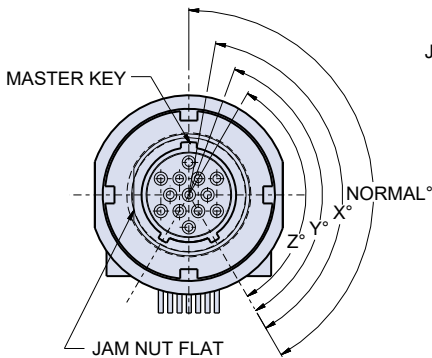
SAMPLE KEYWAY POSITIONS FOR RIGHT ANGLE PCB HEADERS



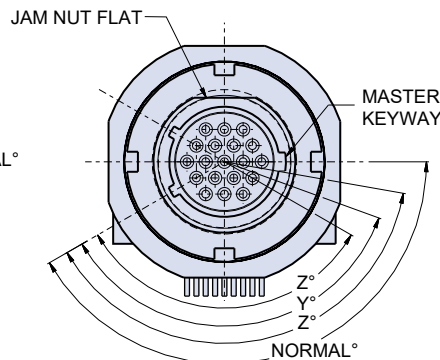
JAM NUT FLAT AND KEYWAY LOCATIONS
 SHELL SIZE 5 AND 6
 SOCKET FACE SHOWN



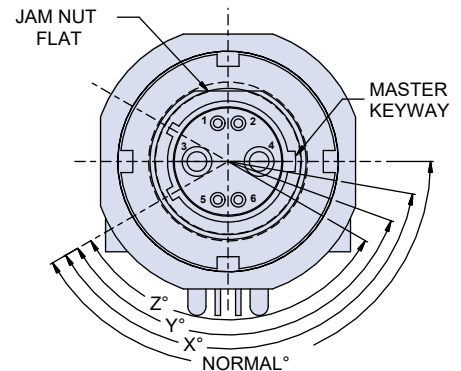
JAM NUT FLAT AND KEYWAY LOCATIONS
 SHELL SIZE 7
 SOCKET FACE SHOWN



JAM NUT FLAT AND KEYWAY LOCATIONS
 SHELL SIZE 8
 SOCKET FACE SHOWN



JAM NUT FLAT AND KEYWAY LOCATIONS
 SHELL SIZE 9
 SOCKET FACE SHOWN



JAM NUT FLAT AND KEYWAY LOCATIONS
 SHELL SIZE 10
 SOCKET FACE SHOWN

SERIES 800 UN THREAD MATING

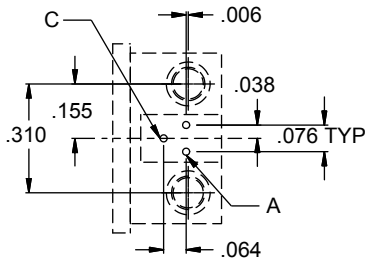


SERIES 800 UN THREAD MATING
Mighty Mouse Connectors and Cables
 Right-Angle Jam-Nut Receptacle
 PCB Footprints

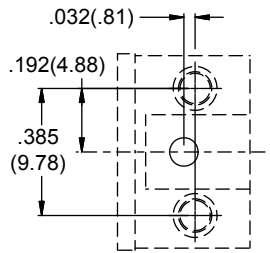


RIGHT ANGLE PCB FOOTPRINTS: SOCKET CONNECTORS SHOWN

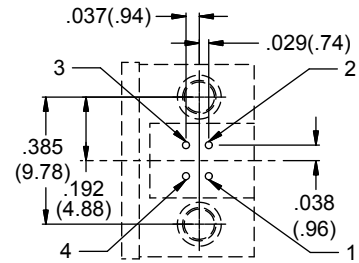
Patterns shown are for component mounting side of PCB. Contacts are .022 (0.56) max. diameter, mounting holes are 2-56 threaded inserts



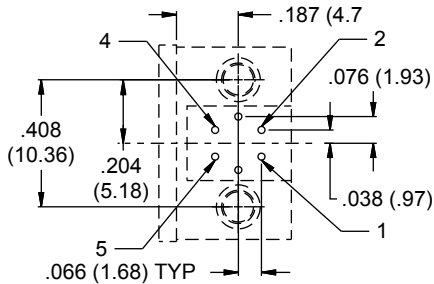
5-3



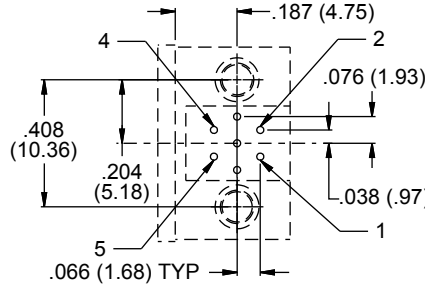
6-1



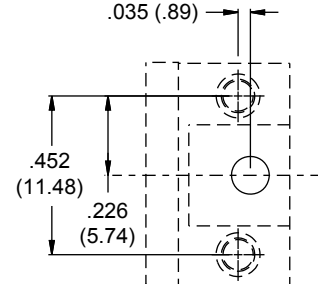
6-4



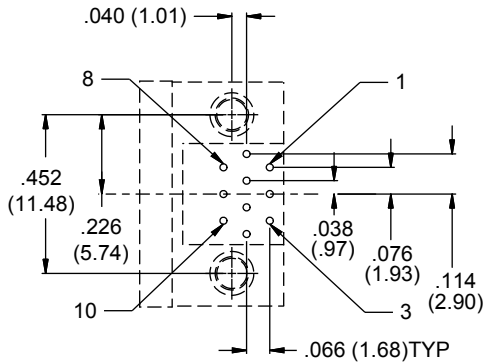
6-6



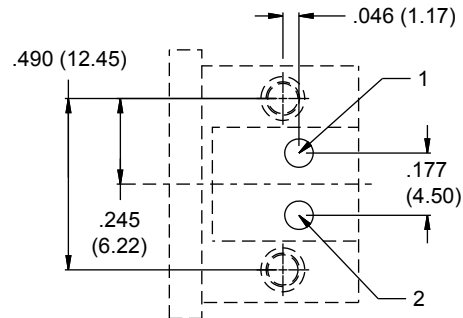
6-7



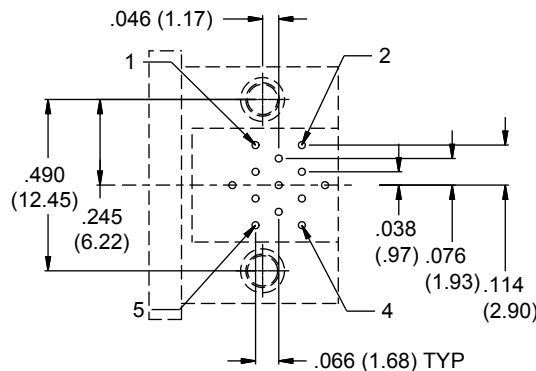
7-1



7-10

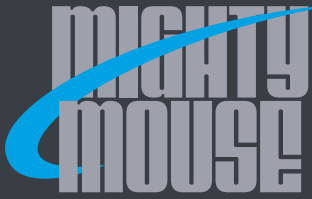


8-2



8-13

SERIES 800 UN THREAD MATING



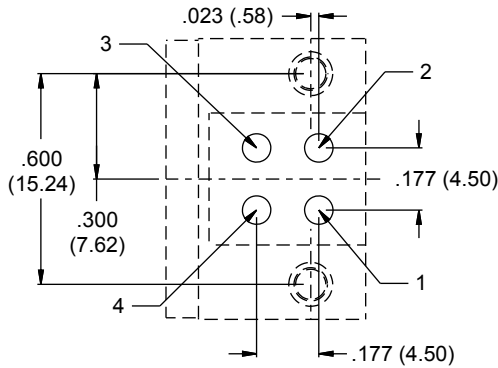
SERIES 800 UN THREAD MATING Mighty Mouse Connectors and Cables

Right-Angle Jam-Nut Receptacle PCB Footprints

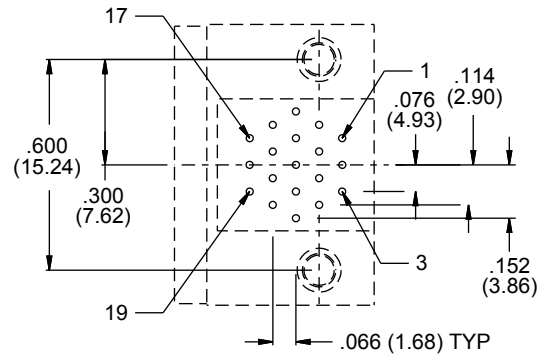


RIGHT ANGLE PCB FOOTPRINTS: SOCKET CONNECTORS SHOWN

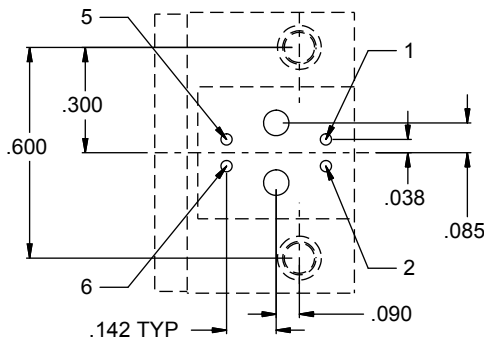
Patterns shown are for component mounting side of PCB. Contacts are .022 (0.56) max. diameter, mounting holes are 2-56 threaded inserts



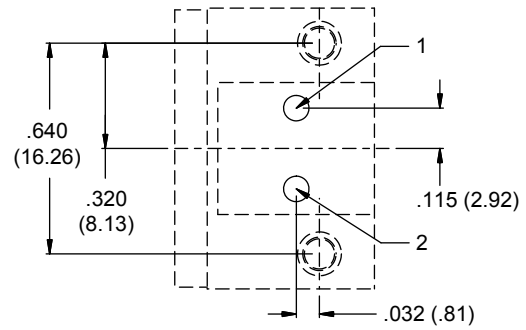
9-4



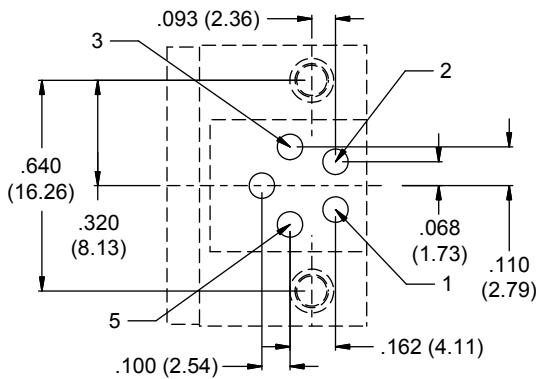
9-19



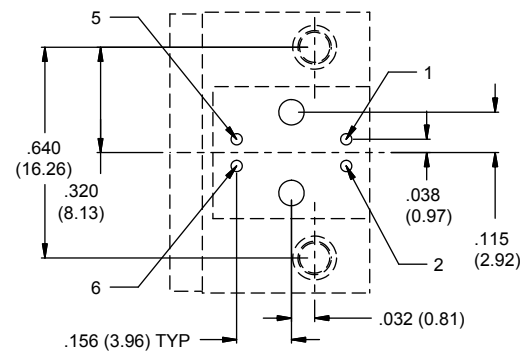
9-200



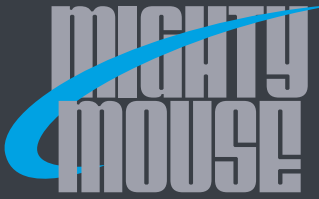
10-2



10-5



10-201



SERIES 800 UN THREAD MATING Mighty Mouse Connectors and Cables



PC Tail or Solder Cup Hermetic Receptacles Shell Size 5 and 6



Compact, Rugged Series 800 glass-to-metal seal hermetic receptacles feature stainless steel shells. Contacts are gold-plated iron alloy. UN mating thread. Available with male pin contacts (contact Glenair for hermetic connectors with female socket contacts). 100% tested to meet 1×10^{-7} ccHe/sec @ 1 atm helium leak rate. Contacts are factory-installed and are non-removable. Terminate to wires with solder cup versions, or choose PC tail versions for thru-hole soldering to rigid or flexible circuit boards. Available in all contact and insert arrangements between size 5 and 12.

How To Order						
Sample Part Number	800-013	-02	Z1	6-7	P	N
Series	800-013 Hermetic Receptacle					
Shell Style (See Table I)	02 = Square Flange 03 = Solder Mount 07 = Jam-Nut					
Shell Material and Finish	Z1 = Stainless Steel / Passivated ZL = Stainless Steel / Nickel Plated					
Shell Size - Insert Arrangement	See Contact Arrangements page D-4					
Contact Type	P = Pin, Solder Cup S = Socket, Solder Cup C = Pin, PC Tail D = Socket, PC Tail					
Shell Keyway Position	N = Normal X = Pos. X Y = Pos. Y Z = Pos. Z					

Table II: Contact Dimensions	
Contact Size	Ø EE
23	.022/.018
20	.028/.024
16	.064/.060
12	.096/.092

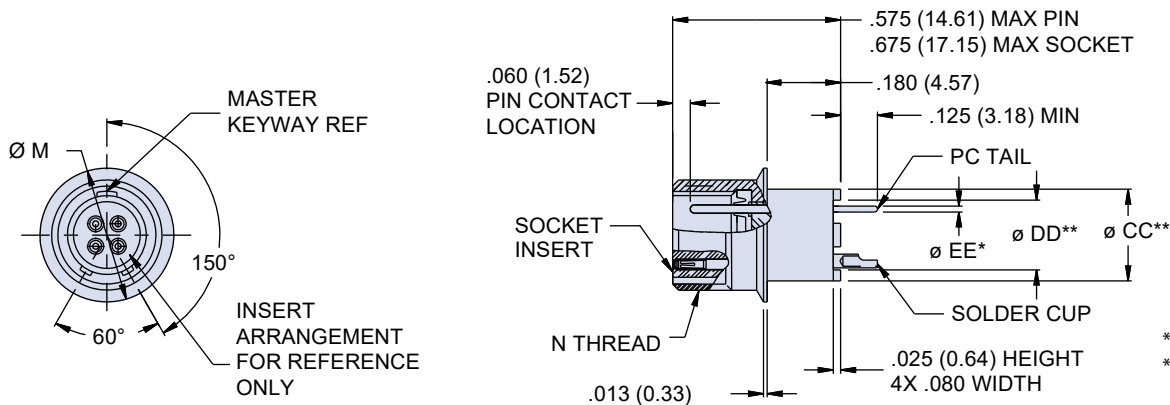
Table III: CC and DD Dia.		
Shell Size	Ø CC O.D.	Ø DD O.D.
5	.290 (7.37)	.197 (5.00)
6	.330 (8.38)	.256 (6.50)
7	.380 (9.65)	.325 (8.25)
8	.450 (11.43)	.390 (9.91)
9	.500 (12.70)	.452 (11.48)
10	.575 (14.60)	.520 (13.21)
12	.660 (16.76)	.610 (15.49)

Table I: Shell Style		
-02 Square Flange	-03 Solder Mount	-07 Jam-Nut

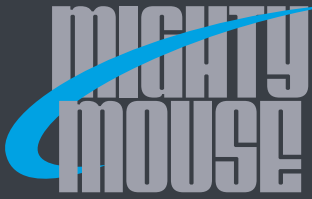
DWV Rating	
Contact Size	Test Voltage
23	750 Vac
20 HD	1000 Vac
20, 16, 12, 8	1800 Vac

SERIES 800 UN THREAD MATING

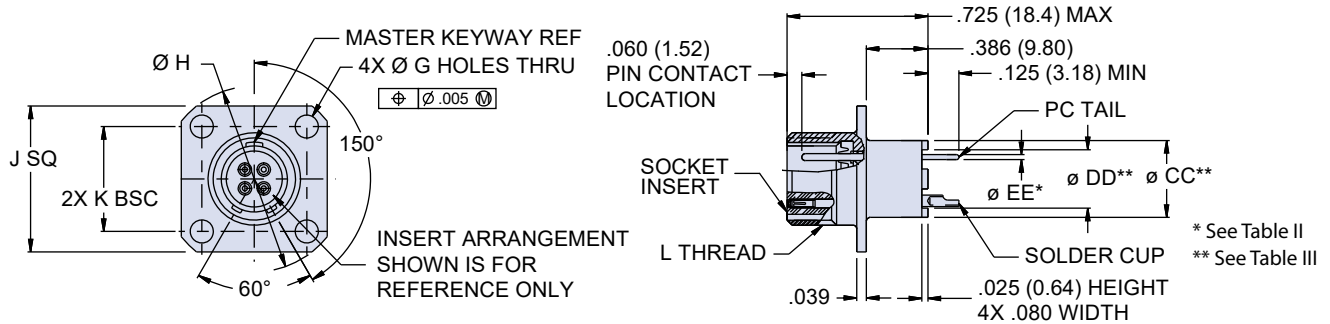
SOLDER MOUNT RECEPTACLE - SHELL STYLE 03 - SHELL SIZE 5 AND 6



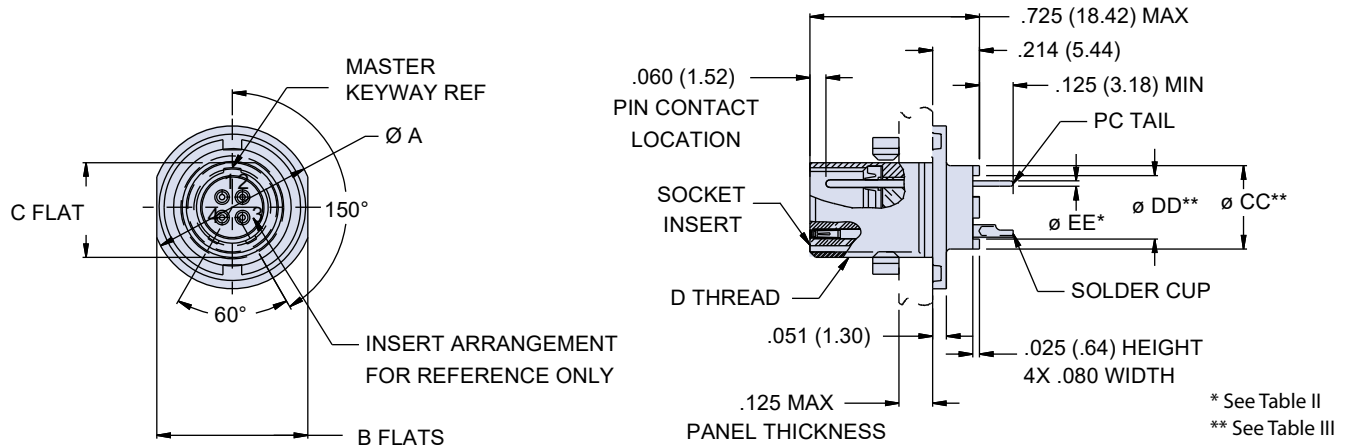
* See Table II
** See Table III



SQUARE FLANGE MOUNT RECEPTACLE - SHELL STYLE 02 - SHELL SIZE 5 AND 6



JAM-NUT MOUNT RECEPTACLE - SHELL STYLE 07 - SHELL SIZE 5 AND 6



Solder Mount Dimensions		
Shell Size	$\varnothing M$	N Thread
5	.400 (10.16)	.3125-28 UN-2A
6	.455 (11.56)	.3750-28 UN-2A

Square Flange Dimension					
Shell Size	$\varnothing G$	$\varnothing H$	J Sq	K BSC	L Thread
5	.096 (2.44)	.680 (17.27)	.527 (13.39)	.363 (9.22)	.3125-28 UN-2A
6	.091 (2.31)	.750 (19.05)	.588 (14.94)	.423 (10.74)	.3750-28 UN-2A

Jam-Nut Dimensions				
Shell Size	$\varnothing A$	B Flat	C Flat	D Thread
5	.541 (13.74)	.500 (12.70)	.285 (7.24)	.3125-28 UN-2A
6	.610 (15.49)	.562 (14.27)	.352 (8.94)	.3750-28 UN-2A

Master Key Positions, Shell Size 5-6	
	Position
N	150°
X	140°
Y	130°
Z	120°

NOTES

- See page D-7 for panel cut-out dimensions
- Hemeticity is less than 1×10^{-7} at one atmosphere, not for use in liquid environments
- Material / finish:
 - Shell: CRES / see How to Order Table
 - Jam-nut: CRES 303; see How to Order Table
 - Contact: alloy 52 gold plate
 - Socket: fluorosilicone / N.A.
 - Seals: fluorosilicone / N.A.
 - Insulator, hermetic: glass / N.A.
 - Insulator, socket: high-grade dielectric / N.A.



SERIES 800 UN THREAD MATING Mighty Mouse Connectors and Cables



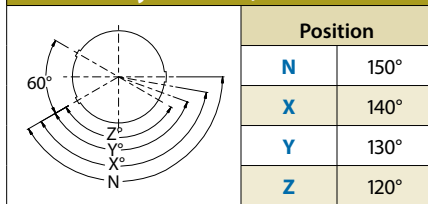
PC Tail or Solder Cup Hermetic Receptacles Shell Sizes 7-12

SOLDER MOUNT, FRONT PANEL MOUNT RECEPTACLE - SHELL STYLE 03 - SHELL SIZE 7 THRU 12

* See Table II
** See Table III

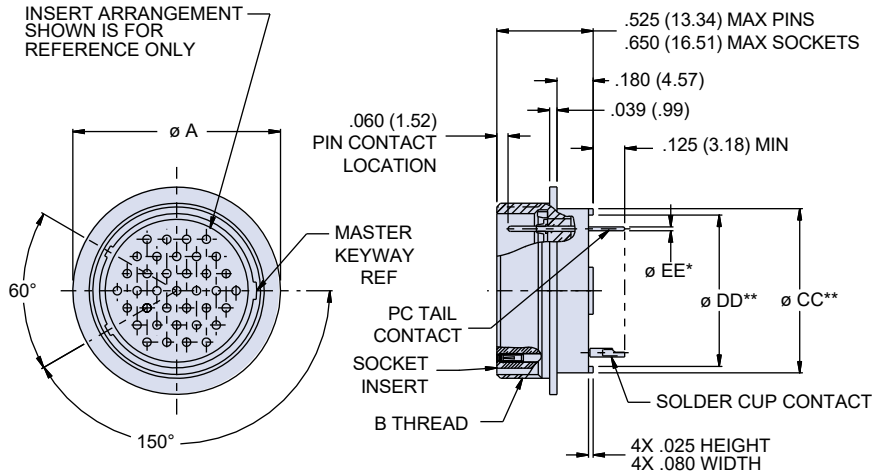
INSERT ARRANGEMENT
SHOWN IS FOR
REFERENCE ONLY

Master Key Positions, Shell Size 7-12



Solder Mount Dimensions

Shell Size	Ø A	B Thread
7	.520 (13.21)	.4375-28 UNEF-2A
8	.650 (16.51)	.5000-32 UN-2A
9	.764 (19.41)	.5625-32 UN-2A
10	.775 (19.68)	.6250-32 UN-2A
12	.858 (21.79)	.7500-28 UN-2A



NOTES

- Material / finish:
 - Shell: CRES / see How to Order Table
 - Contacts: alloy 52 / gold plate
 - Sockets: copper alloy / gold plate
 - Seals: fluorosilicone / N.A.
- Insulator, hermetic: fused glass / N.A.
- Insulator, socket: high-grade dielectric / N.A.

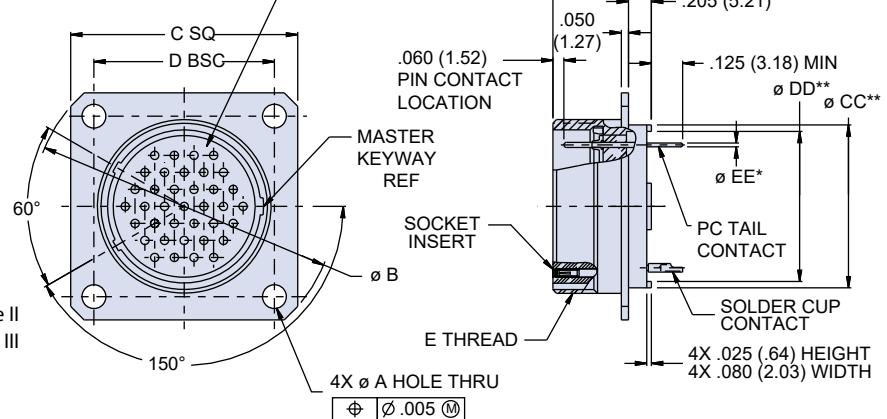
SQUARE FLANGE, FRONT PANEL MOUNT RECEPTACLE - SHELL STYLE 02 - SHELL SIZE 7 THRU 12

NOTES

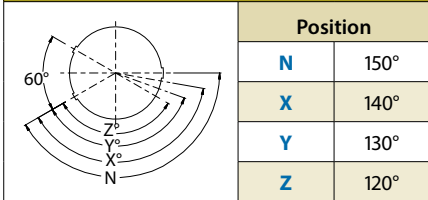
- See page D-7 for panel cut-out dimensions
- Material / finish:
 - Shell: CRES / see How to Order Table
 - Contacts: alloy 52 / gold plate
 - Socket: copper alloy / gold plate
 - Seals: fluorosilicone / N.A.
 - Insulator, hermetic: fused glass / N.A.
 - Insulator, socket: high-grade dielectric / N.A.

* See Table II
** See Table III

INSERT ARRANGEMENT
FOR REFERENCE ONLY



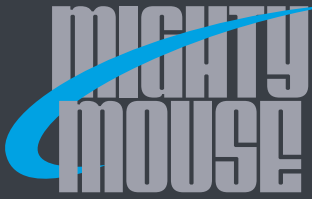
Master Key Positions, Shell Size 7-12



Square Flange Mount Dimensions

Shell Size	Ø A	Ø B	C SQ	D BSC	E Thread
7	.096 (2.44)	.830 (21.08)	.650 (16.51)	.483 (12.27)	.4375-28 UNEF-2A
8	.091 (2.31)	.935 (23.75)	.710 (18.03)	.542 (13.77)	.5000-32 UN-2A
9	.130 (3.30)	1.250 (31.75)	.938 (23.83)	.719 (18.26)	.5625-32 UN-2A
10	.126 (3.20)	1.250 (31.75)	.938 (23.83)	.719 (18.26)	.6250-32 UN-2A
12		1.375 (34.92)	1.031 (26.19)	.812 (20.62)	.7500-28 UN-2A

SERIES 800 UN THREAD MATING

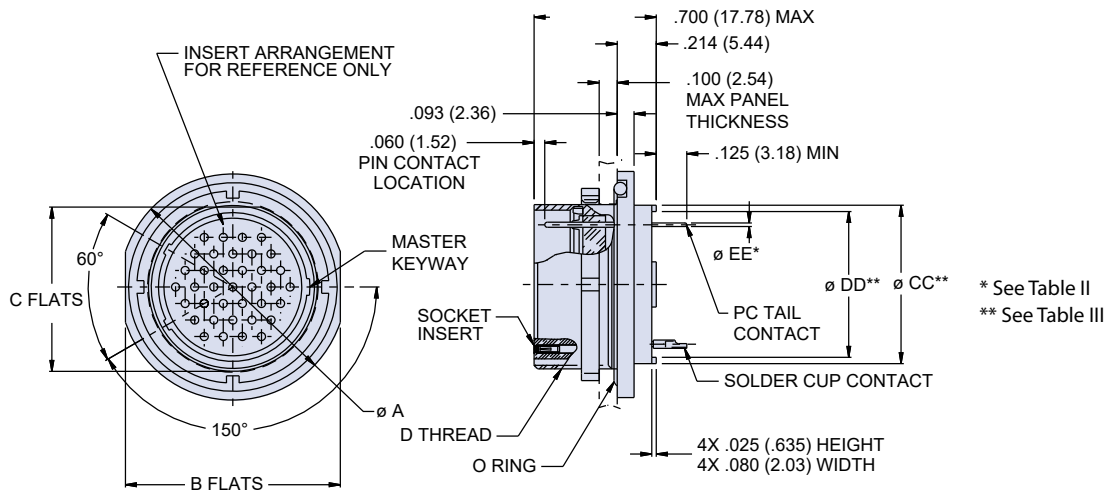


SERIES 800 UN THREAD MATING Mighty Mouse Connectors and Cables



PC Tail or Solder Cup Hermetic Receptacles Shell Sizes 7-12

JAM-NUT, REAR PANEL MOUNT RECEPTACLE - SHELL STYLE 07 - SHELL SIZE 7 THRU 12



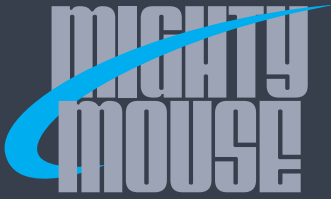
* See Table II
** See Table III

Keyway Positions, Shell Size 7-12		
	Position	
	N	150°
	X	140°
	Y	130°
Z	120°	

Jam-Nut Dimensions				
Shell Size	Ø A	B Flats	C Flats	D Thread
7	.670 (17.02)	.635 (16.13)	.411 (10.44)	.4375-28 UNEF-2A
8	.775 (19.68)	.735 (18.67)	.473 (12.01)	.5000-32 UN-2A
9	.875 (22.23)	.806 (20.47)	.530 (13.46)	.5625-32 UN-2A
10	.980 (24.89)	.940 (23.88)	.604 (15.34)	.6250-32 UN-2A
12	1.062 (26.97)	.986 (25.04)	.712 (18.08)	.7500-28 UN-2A

NOTES

- See page D-7 for panel cut-out dimensions
- Material / finish:
 - Shell, jam-nut: CRES / see How to Order Table
 - Contacts: alloy 52 / gold plate
 - Sockets: copper alloy / gold plate
 - Seals: fluorosilicone / N.A.
 - Insulator, hermetic: fused glass / N.A.
 - Insulator, socket: high-grade dielectric / N.A.



SERIES 800 UN THREAD MATING Mighty Mouse Connectors and Cables



Jam-Nut Mount, Bulkhead Feed-Thru Connector

Series 800 Bulkhead Feed-Thru Connector provides a separable connection on both sides of a mounting panel. Features pin-pin, socket-socket, or pin-socket contact styles. Available in seven shell sizes with copper alloy / gold-plated contacts. Connector shell is available in aluminum alloy or stainless steel. Six standard finishes available. Contacts are factory-installed, and are non removable. Liquid crystal polymer insulator. Mates with all series 800 plug connectors with same polarization and opposite contact gender (800-006, 800-007, 800-008, and 800-009).

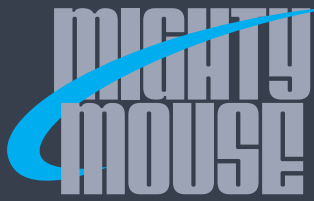
How To Order	
Sample Part Number	800-060 -07 M 6-7 P S N
Series	800-060 = Feed-Through Jam-Nut Mount Feedthru
Shell Style	07 = Jam-Nut
Shell Material and Finish	C = Aluminum / Black Anodize (Non-Conductive) M = Aluminum / Electroless Nickel NF = Aluminum / Cadmium with Olive Drab Chromate ZNU = Aluminum / Zinc-Nickel with Black Chromate MT = Aluminum / Nickel-PTFE Z1 = Stainless Steel / Passivated
Shell Size - Insert Arrangement	See Contact Arrangements page D-4
Contact Type* Jam-Nut Side	P = Pin S = Socket
Contact Type* Other Side	P = Pin S = Socket
Shell Key Position (See Table I)	N = Normal X = Pos. X Y = Pos. Y Z = Pos. Z

* Connectors with PP and SS contact styles will cause the arrangement pattern to be mirrored about the vertical centerline.

Table I: Keyway Position			
Key Position	Key Rotation	Shell Size 5 and 6 Key Positions	Shell Size 7 thru 12 Key Positions
N Normal	150°		
X	140°		
Y	130°		
Z	120°		
Shell size 5 and 6: master key is located at top dead center for normal (N) position. Shell size 7 thru 12: master key is rotated 90° from TDC for normal position.			

NOTES

- See page D-7 for panel cut-out dimensions
- Receptacle connector mates with all high density plug connectors with same polarization and opposite contact gender
- Connectors with PP and SS contact styles will cause the arrangement pattern to be mirrored about the vertical centerline
- Material / finish:
 - Shell, jam-nut: aluminum alloy or CRES / see How to Order Table
 - Insulator: High Grade Rigid Dielectric / N.A.
- Interfacial seal, O-ring, peripheral seal: fluorosilicone
- Contacts: copper alloy / gold plate per ASTM B 488, Typell, Code C, Class 1.25, over a suitable underplate

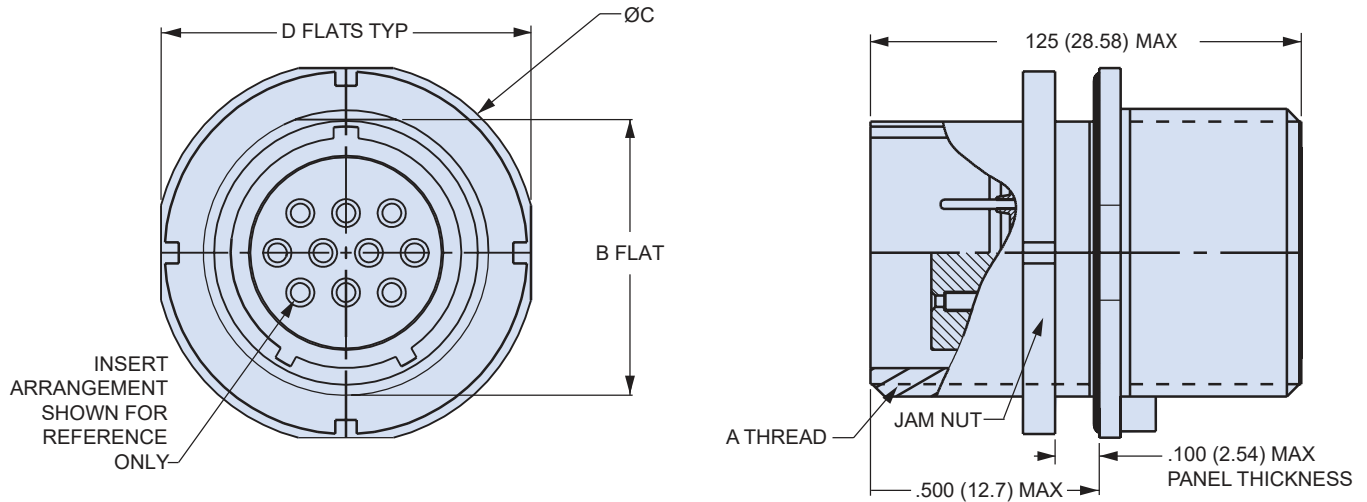


SERIES 800 UN THREAD MATING
Mighty Mouse Connectors and Cables



Jam-Nut Mount, Bulkhead Feed-Thru Connector

JAM-NUT, REAR PANEL MOUNT RECEPTACLE - SHELL STYLE 07



Dimensions				
Shell Size	A Thread	B Flat	Ø C	D Flat
5	.3125-28 UN-2A	.289 (7.34)	.538 (13.67)	.497 (12.62)
6	.3750-28 UN-2A	.352 (8.94)	.602 (15.29)	.559 (14.20)
7	.4375-28 UNEF-2A	.418 (10.62)	.664 (16.87)	.643 (16.33)
8	.5000-32 UN-2A	.473 (12.01)	.770 (19.56)	.731 (18.57)
9	.5625-32 UN-2A	.530 (13.46)	.872 (22.15)	.803 (20.40)
10	.6250-32 UN-2A	.604 (15.34)	.976 (24.79)	.940 (23.88)
12	.7500-28 UN-2A	.712 (18.08)	1.062 (26.97)	.986 (25.04)



SERIES 800 UN THREAD MATING Mighty Mouse Connectors and Cables



Series 800 Mighty Mouse Overmolded Cordsets



High performance Mighty Mouse cordsets feature easy ordering and fast delivery. These fully shielded and watertight assemblies withstand abrasion, temperature extremes, and chemicals. Flexible overmolding provides rugged, watertight protection to wire and shield. Two styles are available: **Style 1** features low smoke, zero halogen polyamide overmold, and polyurethane cable jacket. **Style 2** features improved temperature operating range and highly flexible thermoplastic rubber overmold and cable jacket. Overmolded Mighty Mouse cordsets are suitable for military gear and other hostile environments where interconnect reliability and survivability is essential.

Product Features

- Single-ended or double-ended
- Rugged, watertight construction
- 100% electrically tested
- Flexible to -55°C. (Style 2)
- Stainless steel shield termination band
- Resistant to chemicals
- Withstands UV and ozone

High-Speed Cordsets

Controlled impedance twisted pair cordsets for Ethernet, USB, and other protocols are available. Please refer to Section M

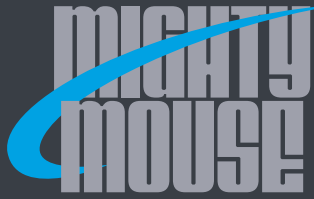
Harsh Environment Cordset Selection Guide

Property	Style 1 Polyurethane Jacket Polyamide Overmold	Style 2 Rubber Jacket Rubber Overmold
Cable jacket	Thermoplastic polyurethane (TPU), black	Thermoplastic elastomer (TPV), black
Overmold	Polyamide, black	Thermoplastic elastomer (TPV), black
Operating temperature	-30° C. to +105° C.	-55° C. to +135° C.
Flexibility	Good	Excellent
Water Resistance	Waterproof	Waterproof
Solvent Resistance, Cable Jacket	Excellent	Good
Solvent Resistance, Overmold	Fair ⁽¹⁾	Good
Weatherability	Excellent	Excellent
Abrasion Resistance	Excellent	Good
Flammability	Flame retardant UL 94 V-0	Flame retardant UL 94 HB
Low Smoke, Zero Halogen Cable Jacket	Yes	No

(1) Excellent resistance to most solvents, fuels, and oils; poor resistance to strong acids and bipolar solvents (alcohol)

Specifications

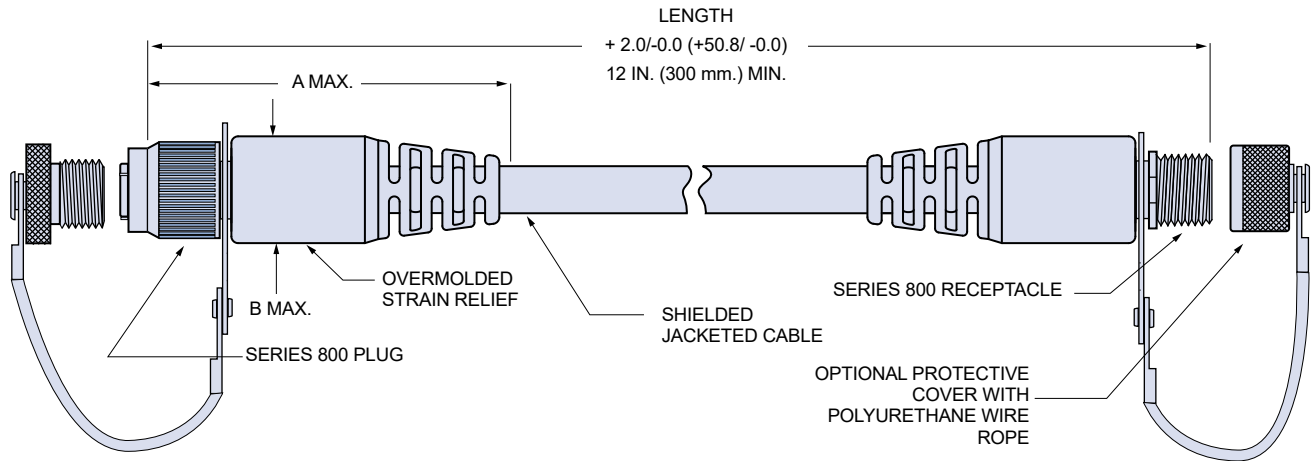
Cable jacket	Style 1: thermoplastic polyurethane, black, low-smoke, zero-halogen Style 2: thermoplastic elastomer, black
Overmold	Style 1: polyamide Style 2: thermoplastic elastomer, black
Cable shield	Tin-coated copper braid, 90% minimum coverage
Conductors	Silver coated stranded wire, TFE insulated, per M22759/11
Shield Termination	Band-Master™ ATS stainless steel shield termination band
Current rating	#23–5 amps, #20–7.5 amps, #16–13 amps, #12–23 amps
Test voltage (DWV)	#23–750 Vac, #20–1000 vac, #16 and #12–1800 VAC sea level
Insulation resistance	200 Megohms minimum
Shielding effectiveness	50 dB minimum from 100MHz to 1000MHz.



SERIES 800 UN THREAD MATING Mighty Mouse Connectors and Cables



Series 800 Mighty Mouse Overmolded Cordsets



Dimensions				
Shell Size	A Max.		B Max.	
	In.	mm.	In.	mm.
5	2.30	12.70	0.50	12.70
6	2.40	13.97	0.55	13.97
7	2.50	16.51	0.65	16.51
8	2.55	18.03	0.71	18.03
9	2.75	19.81	0.78	19.81
10	2.71	20.83	0.82	20.83
12	2.90	22.86	0.9	22.86

NOTES

1. Double-ended cordsets are wired pin #1 to pin #1, #2 to #2, and so on.
2. Wires are silver-coated stranded copper with TFE insulation, 600V, in accordance with M22759/11.
3. Wire color is white.



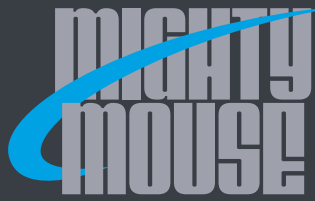
SERIES 800 UN THREAD MATING
Mighty Mouse Connectors and Cables
 Series 800 Mighty Mouse
 Overmolded Cordsets



Series 800 Cordsets with #23 Contacts									
Sample Part Number									
800-034	-A	C	K	2	M	8-28	N	X	-36
Series	End A Connector	End B Connector	Plug Style	Wire Size	Shell Material/ Finish	Insert Arr.	Protective Cover	Shell Key Pos.	Length
800-034 Style 1 Polyurethane Cable Jacket, Polyamide Overmold	-A Plug, with Male Pin Contacts	A Plug, with Male Pin Contacts	K Round Knurled Coupling Nut	2 #22 AWG	M Aluminum / Electroless Nickel	See Cont. Arr. Page D-4	P Metal Protective Covers Included	N Normal	Overall Length In Inches 12 Inch Min.
800-056 Style 2 Rubber Cable Jacket and Rubber Overmold, #23 Contacts	-B Plug, with Female Socket Contacts	B Plug, with Female Socket Contacts	KL Round Knurled Coupling Nut, Self-Locking	4 #24 AWG	NF Aluminum / Cadmium with OD Chromate	Consult Factory for Combo Arr.	N No Covers Supplied	X Pos. X Y Pos. Y Z Pos. Z	
	-C Receptacle, with Male Pin Contacts	C Receptacle, with Male Pin Contacts	H Hex Coupling Nut		ZNU Aluminum / Zinc-Nickel with Black Chromate			See page D-7	
	-D Receptacle, with Female Socket Contacts	D Receptacle, with Female Socket Contacts	HL Hex Coupling Nut, Self-Locking		MT Aluminum / Nickel-PTFE				
		N No Connector (Single-Ended)	N Receptacle Cable		Z1 Stainless Steel / Passivated				

Series 800 Cordsets with #20HD Contacts									
Sample Part Number									
800-041	-A	C	K	0	M	8-28	N	X	-36
Series	End A Connector	End B Connector	Plug Style	Wire Size	Shell Material / Finish	Insert Arr.	Protective Cover	Shell Key Pos.	Length
800-041 Style 1 Polyurethane Cable Jacket, Polyamide Overmold, #20HD Contacts	-A Plug, with Male Pin Contacts	A Plug, with Male Pin Contacts	K Round Knurled Coupling Nut	0 #20 AWG	M Aluminum / Electroless Nickel	See Cont. Arr. page D-4	P Metal Protective Covers Included	N Normal	Overall Length In Inches 12 Inch Min.
800-057 Style 2 Rubber Cable Jacket and Rubber Overmold,	-B Plug, with Female Socket Contacts	B Plug, with Female Socket Contacts	KL Round Knurled Coupling Nut, Self-Locking	2 #22 AWG	NF Aluminum / Cadmium with OD Chromate	Consult Factory for Combo Arr.	N No Covers Supplied	X Pos. X Y Pos. Y Z Pos. Z	
	-C Receptacle, with Male Pin Contacts	C Receptacle, with Male Pin Contacts	H Hex Coupling Nut		ZNU Aluminum / Zinc-Nickel with Black Chromate			See page D-7	
	-D Receptacle, with Female Socket Contacts	D Receptacle, with Female Socket Contacts	HL Hex Coupling Nut, Self-Locking		MT Aluminum / Nickel-PTFE				
		N No Connector (Single-Ended)	N Receptacle Cable		Z1 Stainless Steel / Passivated				

SERIES 800 UN THREAD MATING



SERIES 800 UN THREAD MATING
Mighty Mouse Connectors and Cables
 Series 800 Mighty Mouse
 Overmolded Cordsets



Series 800 Cordsets with #16 Power Contacts									
Sample Part Number									
800-038	-A	C	K	6	M	8-2	N	X	-36
Series	End A Connector	End B Connector	Plug Style	Wire Size	Shell Material/ Finish	Insert Arr.	Protective Cover	Shell Key Pos.	Length
800-038 Style 1 Polyurethane Cable Jacket, Polyamide Overmold, #16 Contacts	-A Plug, with Male Pin Contacts	A Plug, with Male Pin Contacts	K Round Knurled Coupling Nut	6 #16 AWG	M Aluminum / Electroless Nickel	See Cont. Arr. Page D-4	P Metal Protective Covers Included	N Normal	Overall Length In Inches
	-B Plug, with Female Socket Contacts	B Plug, with Female Socket Contacts	KL Round Knurled Coupling Nut, Self-Locking	8 #18 AWG	NF Aluminum / Cadmium with OD Chromate	Consult Factory for Combo Arr.	N No Covers Supplied	X Pos. X Y Pos. Y Z Pos. Z	12 Inch Min.
800-058 Style 2 Rubber Cable Jacket and Rubber Overmold, #16 Contacts	-C Receptacle, with Male Pin Contacts	C Receptacle, with Male Pin Contacts	H Hex Coupling Nut		ZNU Aluminum / Zinc-Nickel with Black Chromate			See page D-7	
	-D Receptacle, with Female Socket Contacts	D Receptacle, with Female Socket Contacts	HL Hex Coupling Nut, Self-Locking		MT Aluminum / Nickel-PTFE				
		N No Connector (Single-Ended)	N Receptacle Cable		Z1 Stainless Steel / Passivated				

Series 800 Cordsets with #12 Power Contacts									
Sample Part Number									
800-039	-A	C	K	2	M	8-2	N	X	-36
Series	End A Connector	End B Connector	Plug Style	Wire Size	Shell Material / Finish	Insert Arr.	Protective Cover	Shell Key Pos.	Length
800-039 Style 1 Polyurethane Cable Jacket, Polyamide Overmold, #12 Contacts	-A Plug, with Male Pin Contacts	A Plug, with Male Pin Contacts	K Round Knurled Coupling Nut	2 #12 AWG	M Aluminum / Electroless Nickel	See Cont. Arr. Page D-4	P Metal Protective Covers Included	N Normal	Overall Length In Inches
	-B Plug, with Female Socket Contacts	B Plug, with Female Socket Contacts	KL Round Knurled Coupling Nut, Self-Locking	4 #14 AWG	NF Aluminum / Cadmium with OD Chromate	Consult Factory for Combo Arr.	N No Covers Supplied	X Pos. X Y Pos. Y Z Pos. Z	12 Inch Min.
800-059 Style 2 Rubber Cable Jacket and Rubber Overmold, #12 Contacts	-C Receptacle, with Male Pin Contacts	C Receptacle, with Male Pin Contacts	H Hex Coupling Nut		ZNU Aluminum / Zinc-Nickel with Black Chromate			See page D-7	
	-D Receptacle, with Female Socket Contacts	D Receptacle, with Female Socket Contacts	HL Hex Coupling Nut, Self-Locking		MT Aluminum / Nickel-PTFE				
		N No Connector (Single-Ended)	N Receptacle Cable		Z1 Stainless Steel / Passivated				

SERIES 800 UN THREAD MATING



SERIES 800 UN THREAD MATING
Mighty Mouse Connectors and Cables



Flexible, Lightweight Phantom Cable Cordsets



Phantom Cable cordsets feature high-flex rubber-insulated wires, lightweight shield, and overbraided jackets for maximum flexibility, reduced size and minimum weight. Flexible rubber overmold provides strain relief and environmental sealing. Available for all Mighty Mouse layouts with size #23 contacts, these cordsets are available with #24 through #28 AWG wire. EMI shield options include high-strength, ultralightweight **AmberStrand**, nickel-coated composite braid **ArmorLite** or lightweight, highly flexible tinned copper braid. Braid outer jackets are available with **NOMEX**, **HALAR**, or PTFE-coated fiberglass.

Product Features

- Overbraided cable jacket for excellent flexibility
- Ultra-lightweight AmberStrand® EMI shield
- 100% electrically tested
- Flexible to -55°C.
- Stainless steel shield termination band

Application Note

Overbraided textile jackets are ideal for applications where flexibility and weight are important. However, water can penetrate through the jacket and cable shield. Dust and contamination can also become entrapped in the braid. Braided jackets are prone to fraying damage caused by snagging on velcro closures and MOLLE vests. Extruded cable jackets are recommended if debris entrapment, moisture ingress, or fraying damage are concerns.

Braid Shield Selection Guide			
Property	AmberStrand®	ArmorLite®	Copper
Type	nickel-coated high-strength super fiber	Micro-filament nickel-coated stainless steel	Tin-coated copper
Weight/ft. (0.5 in. ID)	3.7 grams	4.4 grams	22.3 grams
Operating Temp ⁽¹⁾	-65° C to +200° C	-80° C to +260° C	-80° C to +150° C
Coverage	90% min.	90% min.	90% min.
Flexibility	Excellent	Excellent	Good
Cost Comparison	\$\$\$	\$\$	\$

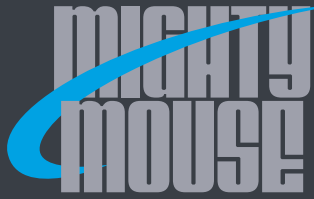
(1) Rubber wires and rubber overmold are rated for -55° C to +135° C.

Jacket Selection Guide			
Property	NOMEX®	HALAR®	PTFE Coated Fiberglass
Color	Black or olive drab	Black	Tan
Operating Temp ⁽¹⁾	-55° C to +260° C	-73° C to +150° C	-75° C to +300° C
Chemical Resistance	Excellent	Excellent	Excellent
Flammability	Self-extinguishing, will not melt	Fire retardant UL VW-1	Self-extinguishing
Toxicity	Non-toxic	Non-toxic	Non-toxic
Flexibility	Excellent	Excellent	Excellent
Abrasion resistance	Excellent	Excellent	Excellent

(1) Rubber wires and rubber overmold are rated for -55° C to +135° C.

Specifications	
Cable jacket	NOMEX®, HALAR® or PTFE-coated fiberglass
Temperature Range	-55° C to +135° C
Overmold	Thermoplastic elastomer, black
Cable shield	AmberStrand®, ArmorLite® or tinned copper, 90% minimum coverage
Conductors	Silver coated stranded wire, rubber insulation
Shield Termination	Band-Master™ ATS stainless steel shield termination band
Current rating	5 amps
Test voltage (DWV)	500 Vac
Insulation resistance	200 Megohms minimum
Shielding effectiveness	50 dB minimum from 100MHz to 1000MHz.

SERIES 800 UN THREAD MATING

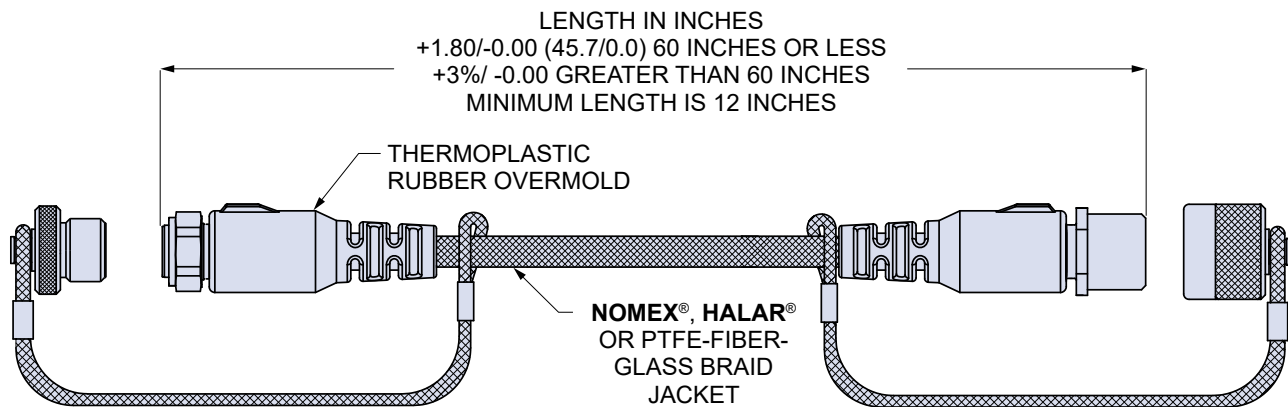


SERIES 800 UN THREAD MATING
Mighty Mouse Connectors and Cables



Flexible, Lightweight Phantom Cable Cordsets

Series 800 "Phantom Cable" Cordsets size #12 thru #23 Contacts										
Sample Part Number										
800-053	-B	N	0	Z1	5-3	N	X	-60	C	N
Series	End A Connector	End B Connector	Wire Size	Shell Material/ Finish	Insert Arr.	Protective Cover	Shell Key Pos.	Length	Shield Option	Jacket Option
Size #23 Contacts 800-052 Phantom Cable Cordset	-A Plug, with Male Pin Contacts	A Plug, with Male Pin Contacts	Size #23 Contacts 2 #22 AWG 4 #24 AWG	M Aluminum / Electroless Nickel	See Cont. Arr. Page D-4	P Metal Protective Covers Included	N Normal X Pos. X	Overall Length In Inches 12 Inch Min.	A AmberStrand	N Nomex
	-B Plug, with Female Socket Contacts	B Plug, with Female Socket Contacts	Size #20 HD Contacts 0 #20 AWG 2 #22 AWG	NF Aluminum / Cadmium with OD Chromate	Consult Factory for Combo Arr.	N No Covers Supplied	Y Pos. Y Z Pos. Z See page D-7		B ArmorLite	H Halar (Monofil)
Size #20 HD Contacts 800-053 Phantom Cable Cordset	-C Rec. with Male Pin Contacts	C Rec. with Male Pin Contacts	Size #16 Contacts 6 #16 AWG 8 #18 AWG	ZNU Aluminum / Zinc-Nickel with Black Chromate						
				MT Aluminum / Nickel-PTFE						
Size #16 Contacts 800-054 Phantom Cable Cordset	-D Rec. with Female Socket Contacts	D Rec. with Female Socket Contacts	Size #12 Contacts 2 #12 AWG 4 #14 AWG	Z1 Stainless Steel / Passivated						
				N No Connector (Single-Ended)						
Size #12 Contacts 800-055 Phantom Cable Cordset										P Peek (Monofil)



NOTES

1. Double-ended cordsets are wired pin #1 to pin #1, #2 to #2, and so on.
2. Wires are silver-coated stranded copper with TPE insulation, 600V, UL VW-1 rated.
3. Wires are white with color stripe per MIL-STD-681. Wire #1 is WHT/BLK, wire #2 is WHT/BRN, etc.



SERIES 801 MIGHTY MOUSE

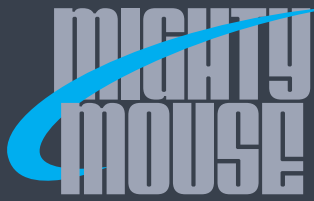
Double-Start Stub ACME Thread Mating

Anti-decoupling, 1 ½ turn to full mate, crimp rear-release contact connectors



Glenair series 801 Mighty Mouse Connectors are ideally suited for use in applications such as military air frames, tactical ground weaponry and dismounted soldier applications.

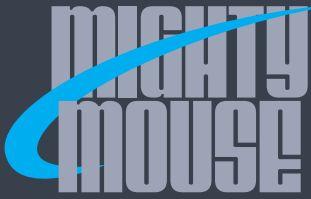




SERIES 801 DOUBLE-START ACME THREAD
Mighty Mouse Connectors and Cables
 Product Selection Guide



	<p>Series 801 Connector features and benefits, connector weight comparison, connector weights, contact arrangement layouts, panel cut-out dimensions, key/keyway position, and polarizations.</p>	Page E-2
	<p>Plug with Crimp Contacts Connectors are supplied with rear release crimp contacts. Features integral band platform, for cable shield termination and integral boot groove or select accessory threads for attachment of backshell or strain relief. Self locking anti-decoupling mechanism to prevent loosening under high vibration.</p>	Page E-12
	<p>Panel Mount Plug with Crimp Contacts, PC Tail or Solder Cup Panel mount plug connector with rear release crimp contacts or select non-removable PC tail or solder cup contacts for PCB Applications backpotted and parylene compatible. Both connectors incorporate self locking anti-decoupling mechanism to prevent loosening under high vibration.</p>	Page E-14
	<p>Right Angle, Low-Profile Cobra™ Plug Connectors feature an integrated backshell equipped with a removable rear cover and gasket providing an easy path to installing the supplied rear release crimp contacts. Ultra low profile design reduces hooking and snagging of cables. Self locking anti-decoupling mechanism to prevent demating under shock and vibration.</p>	Page E-16
	<p>Receptacle with Rear Release Crimp Contacts Connectors are supplied with rear release crimp contacts. Features integral band platform for cable shield termination and integral boot groove or select accessory threads for attachment of backshell or strain relief. Contacts are packaged with the connector. Jam-nut, square flange, and in-line versions available.</p>	Page E-18
	<p>Receptacle with PC Tails or Solder Cup Contacts These panel mount connectors offer PC Tails for attachment to flexible ribbon or rigid board. Select solder cup contacts for direct wire connection. Connectors are potted with epoxy for general purpose applications, or choose silicone-sealed, leak-tested versions for 1 meter water immersion. Parylene compatible.</p>	Page E- 23
	<p>PCB Receptacle with PC Tails and Ground Pins Features gold plated copper alloy non-removable PC tail contacts. Ground pins to provide a direct grounding path from the connector shell to the PCB board. Integral .040 (1.04) standoff for board washout. Aluminum alloy shells are backpotted and parylene compatible.</p>	Page E-26
	<p>Jam-Nut, Rear Panel Mount, PCB Receptacle Features gold plated copper alloy non-removable PC tail contacts. Integral threaded .025 (.64) standoff for board washout. Choice of stainless steel or aluminum alloy shells. Backpotted and parylene compatible.</p>	Page E-29
	<p>Receptacle with Size #12 Twinax and Combo PC Tail Arrangements PCB board level connectors are available in four mounting styles including, Square Flange with thru-holes, square flange with clinch nuts, square flange with locking clinch nuts, and jam-nut. Offered with 16 insert arrangements with pin or socket PC tail contacts.</p>	Page E-31
	<p>Right Angle Jam-Nut Rear Panel Mount, PCB Receptacle Supplied with factory-installed, non-removable, epoxy-sealed PC tail contacts. Stainless steel threaded inserts for rigid boards attachment.</p>	Page E-34



SERIES 801 DOUBLE-START ACME THREAD
Mighty Mouse Connectors and Cables
 Product Selection Guide



SERIES 801 DOUBLE-START MATING

	<p>CODE RED Light Weight Hermetic Receptacle, PC Tail or Solder Cup Light weight aluminum shell hermetic with advanced encapsulant sealed contacts and conventional copper alloy/gold plated contacts for improved electrical performance compared to nickel-iron contacts. Available with solder cups or PC tails. Choose jam-nut or square flange versions. 100% tested to 1×10^{-7} cc/second helium leak rate.</p>	<p>Page E-38</p>
	<p>Hermetic PC Tail or Solder Cup Receptacle Stainless steel, glass-sealed connectors are available with solder cup or PC tail contacts. Choose jam-nut, square flange or solder mount versions. Contacts are gold plated iron alloy. Integral .025 (0.64) standoffs for board washout 100% tested to less than 1×10^{-7} cc/second helium leak rate.</p>	<p>Page E-41</p>
	<p>Hermetic PCB Receptacle with Coax Contacts Stainless steel shell hermetic glass-sealed connectors offer excellent corrosion protection and are 100% tested to 1×10^{-7} cc/sec helium leak rate. Available with size 16 and 12 Coax contacts. Choose jam-nut, square flange, or solder mount shell styles with Integral .025 (.64) standoff for solder washout. Contacts are gold plated nickel alloy.</p>	<p>Page E-45</p>
	<p>Hermetic Receptacle with Coax Pin Contacts and Crimp Cable Adapter Connector comes with cable adapters for termination of cable. Stainless steel, glass-sealed connectors with size 16 (up to 700 MHz) and size 12 (up to 3 GHz) coax contacts. Jam-nut, square flange or solder mount shell styles with solder washout standoffs. Contacts are gold plated nickel alloy. 100% tested to 1×10^{-7} cc/second helium leak rate.</p>	<p>Page E-48</p>
	<p>Hermetic PC Tail Receptacle with Power / Signal Contacts Corrosion resistant stainless steel, glass-sealed connectors. Shell styles include jam-nut and square flange mount. Threaded mounting holes for high vibration and shock environments. Contacts are gold plated nickel alloy. 100% tested to 1×10^{-7} cc/second helium leak rate.</p>	<p>Page E-52</p>
	<p>Hermetic PC Tail Receptacle with Size 12 and 16 Coax Contacts Corrosion resistant stainless steel, glass-sealed connectors. Shell styles include jam-nut and square flange mount. Threaded mounting holes for high vibration and shock environments. Contacts are gold plated nickel alloy. 100% tested to 1×10^{-7} cc/second helium leak rate.</p>	<p>Page E-55</p>
	<p>Bulkhead Feed-Thru Connector Jam-Nut mount feedthru provide a separable connection on both sides of a mounting panel. Available for shell sizes 5 to 21. This connector mates with all quick coupling high density plug connectors with the same polarization and opposite contact genders (801-001, 801-002, 801-007, and 801-008).</p>	<p>Page E-59</p>
	<p>Hermetic Bulkhead Feed-thru Connector Jam-Nut mount feedthrus provide a hermetic connection on both sides of a mounting panel. Stainless steel, glass-sealed connectors. Choose jam-nut, square flange or solder mount versions. Contacts are gold plated nickel alloy. 100% tested to 1×10^{-7} cc/second helium leak rate.</p>	<p>Page E-61</p>
	<p>Series 801 Sav-Con® Connector Savers Protect expensive test equipment and cables with Glenair Sav-Con® connector savers. These plug/receptacle adapters feature non-removable contacts and anti-decoupling mechanism to prevent loosening under vibration.</p>	<p>Page E-63</p>
	<p>Series 801 Cordsets Choose overmolded or overbraided cordsets for your specific application. Overmolded sets are low smoke and offer excellent all-weather cable protection; overbraided sets are ultraflexible and available with Nomex®, Halar®, or PTFE-coated fiberglass.</p>	<p>Page E-65</p>



SERIES 801 Double-Start Anti-Decoupling

Glenair Series 801 Mighty Mouse Offers Mil-Spec Performance in a Lightweight, Ultraminiature Package

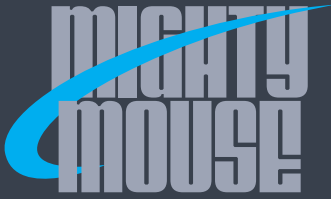
The 801 Series Mighty Mouse is ideal for use in high-density packaging applications where traditional military circular connectors are too large or too heavy. The double-start threads provide full mating in 1½ turns, and the plug features an anti-decoupling spring for vibration resistance. The unique integral molding/band platform allows direct shield attachment and cable overmolding. Receptacles are available with printed circuit board contacts. Plugs have anti-decoupling wave spring, or specify ratchet mechanism for added security.

- Double-Start ACME Thread with anti-decoupling spring or ratchet
- Crimp Rear Release Contacts
- Integral Band Platform
- Available with Size #12, #16, #20, #20HD and #23 Contacts
- Environmentally Sealed

Specifications	
Current Rating	#23-5 A, #20HD-7.5 A, #16-13 A, #12-23 A, #8-46A
Dielectric Withstanding Voltage	#23-750 VAC, #20HD-1000 VAC, w#16, #12, and #8 - 1800 VAC
Insulation Resistance	5000 megohms minimum
Operating Temperature	-65° C. to +175° C.
Shock	300 g.
Vibration	37 g.
Shielding Effectiveness	55 dB minimum from 100MHz to 1000MHz.
Durability	2000 mating cycles
See Series 80 General Information for complete performance specs.	

Materials and Finishes	
Shells, Jam-Nuts	Aluminum alloy or stainless steel
Contacts	Copper alloy, 50 µinch gold plated
Insulators	High-Grade Rigid Dielectric
Contact Retention Clip	Beryllium copper alloy
Interfacial Seal, O-rings, Wire Sealing Grommet	Fluorosilicone rubber
See Series 80 General Information for complete material and finish specs.	

SERIES 801 DOUBLE-START MATING



SERIES 801 DOUBLE-START ACME THREAD
Mighty Mouse Connectors and Cables



Connector Weight and Size Comparison



Series 801

D38999

Series 801 Connectors Offer Up To 71% Weight Savings and 52% Size Reduction When Compared to D38999 Series III Connectors.

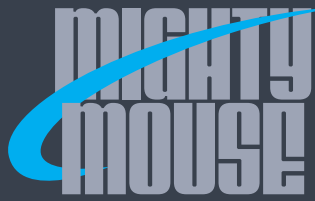
The Comparison Tables on this page show the actual weight and size reductions that can be achieved by using Glenair Series 801 connectors instead of MIL-DTL-38999 Series III.

Weight Comparison: Series 801 Vs. D38999 Series III								
Series 801 Layout	Number of Contacts	D38999 Layout	Number of Contacts	Series 801	D38999 Aluminum	% Weight Savings	D38999 Composite	% Weight Savings
5-3	3	9-98	3	7.8	27.2	71%	21.7	64%
6-7	7	9-35	6	9.5	25.6	63%	19.9	52%
9-19	19	13-35	22	18.0	45.9	61%	38.5	53%
13-37	37	15-35	37	32.5	65.3	50%	57.4	43%
16-55	55	17-35	55	47.1	78.5	40%	65.6	28%
17-85	85	21-35	79	51.3	112.4	54%	99.1	48%
21-130	130	25-35	128	75.6	159.3	53%	136.6	45%

Weights shown include contacts and represent a mated pair of plug and jam-nut receptacle. Weights are in grams. D38999 weights are based on published data from a leading manufacturer.

Size Comparison: Series 801 Vs. D38999 Series III													
Series 801 Layout	Number of Contacts	D38999 Layout	Number of Contacts	Cable Plug Diameter					Jam-Nut Receptacle Diameter				
				Series 801		D38999		% Reduction	Series 801		D38999		% Reduction
				In.	mm.	In.	mm.		In.	mm.	In.	mm.	
5-3	3	9-98	3	.540	13.72	.859	21.82	37%	.575	14.61	1.204	30.58	52%
6-7	7	9-35	6	.600	15.24	.859	21.82	30%	.635	16.13	1.204	30.58	47%
9-19	19	13-35	22	.810	20.57	1.156	29.36	30%	.830	21.08	1.516	38.51	45%
13-37	37	15-35	37	1.050	26.67	1.281	32.54	18%	1.078	27.38	1.641	41.68	34%
16-55	55	17-35	55	1.240	31.50	1.406	35.71	12%	1.264	32.11	1.766	44.86	28%
17-85	85	21-35	79	1.300	33.02	1.641	41.68	21%	1.325	33.66	2.078	52.78	36%
21-130	130	25-35	128	1.550	39.37	1.890	48.01	18%	1.625	41.28	2.323	59.00	30%

SERIES 801 DOUBLE-START MATING



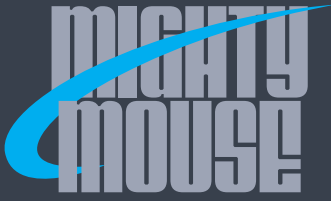
SERIES 801 DOUBLE-START ACME THREAD
Mighty Mouse Connectors and Cables
 Connector Weights



Series 801 Connector Weights (maximum connector weight in grams)					
Contact Arr.	Cable Plug	Jam-Nut Recep Crimp	Jam-Nut Recep PCB	Square Flange Recep Crimp	Square Flange Recep PCB
5-3P	4.8	3.7	4	2.2	2.4
5-3S	5	3.9	4.1	2.2	2.6
6-1P	6.2	4.7	5.1	3	3.2
6-1S	6.5	5.1	5.4	3.3	3.5
6-4P	6.2	4.7	5.1	3	3.2
6-4S	6.4	5	5.2	3.1	3.3
6-6P	6.3	4.7	5.1	2.9	3.2
6-6S	6.5	5.1	5.4	3.1	3.5
6-7P	5.9	4.5	5.1	3.2	3.7
6-7S	6.2	4.8	5.2	3.5	3.9
6-23P	6.2	4.8	5.1	3	4
6-23S	6.6	5.2	5.4	3.2	4.3
7-1P	8.6	7.2	7.9	5	5.7
7-1S	9.1	7.7	8.5	5.5	6.3
7-10P	8.4	6.9	7.7	4.7	5.5
7-10S	8.8	7.4	7.9	5.2	5.7
7-25P	7.9	7.1	7.8	4.8	5.6
7-25S	8.3	7.7	8.3	5.5	6.1
8-1P	12.6	11.3	12.4	9	10.3
8-1S	15.1	13.6	15	11.4	13
8-2P	9.8	8.5	9.6	6.2	7.5
8-2S	10.6	9.2	10.3	6.9	8.3
8-28P	10	8.7	10.2	6.4	8.1
8-28S	11.1	9.7	10.9	7.4	8.9
8-13P	9.1	7.8	8.9	5.5	6.8
8-13S	9.8	8.4	9.4	6.2	7.2
8-200P	10.1	8.8	9.9	6.5	7.8
8-200S	10.8	9.5	10.6	7.2	8.5
9-4P	12	9.6	11.8	8.4	9.5
9-4S	13	11.7	12.8	9.4	10.5
9-19P	11.1	8.7	10.1	6.4	7.8
9-19S	12	9.6	10.7	7.3	8.4
9-200P	11.4	10.1	11.2	7.8	8.9
9-200S	12.5	11.2	12.3	8.9	10
9-201P	10.6	9.2	10.3	7.3	8.4
9-201S	12.7	11.3	12.4	9	10.1
9-210P	11.8	9.4	11.3	8.2	9
9-210S	13	11.7	12.5	9.4	10.2
10-2P	17.1	13.6	13.9	15.2	13.1
10-2S	18.4	14.9	15.5	16.5	14.7
10-5P	17.4	13.9	14.9	15.5	14.1
10-5S	18.8	15.3	16.3	16.9	15.5

Series 801 Connector Weights (maximum connector weight in grams)					
Contact Arr.	Cable Plug	Jam-Nut Recep Crimp	Jam-Nut Recep PCB	Square Flange Recep Crimp	Square Flange Recep PCB
10-26P	15.6	12.1	13.1	13.8	9.6
10-26S	16.8	13.3	13.8	18.4	10.1
10-200P	16.5	13	14	14.6	11
10-200S	17.9	14.4	15.4	16.1	12.4
10-201P	16.8	13.3	14.3	15	11.3
10-201S	18.4	14.9	15.8	16.5	12.9
10-202P	16.4	12.9	13.9	14.5	10.9
10-202S	17.9	14.4	15.4	16.1	12.4
11-31P	19.2	15	16.9	16.6	16.1
11-31S	21.5	16.9	18.3	18.5	17.5
13-2P	20.8	18.9	18.9	18.9	16.6
13-2S	22.4	20.6	20.6	20.6	18.3
13-3P	21.8	19.9	19.9	19.9	17.6
13-3S	23.5	21.7	21.7	21.7	19.4
13-7P	22	20.1	20.1	20.1	17.8
13-7S	24.6	22.8	22.8	22.8	20.5
13-37P	20.2	18.4	18.4	18.4	16.1
13-37S	21.9	19.4	19.4	19.4	17.1
13-200P	20.9	19	19	19	16.7
13-200S	23.2	21.3	21.3	21.3	19
13-201P	21	19.1	19.1	19.1	16.8
13-201S	23.4	21.6	21.6	21.6	19.3
13-202P	20.9	19	20.3	19	18
13-202S	22.8	21	21.9	21	19
13-203P	21.2	19.3	20.8	19.3	18.5
13-203S	23.1	21.3	22.3	21.3	20
13-204P	21.3	19.4	20.6	19.4	18.3
13-204S	23.1	21.3	22.3	21.3	20
13-205P	22.4	20.5	22.4	20.5	20.1
13-205S	24.2	22.4	24.4	22.4	22.1
13-220P	21.6	19.7	21.2	19.7	18.9
13-220S	23.9	22.1	23.1	22.1	20.8
16-2P	34.7	28.2	29.1	31.2	26.5
16-2S	40.7	34.2	35.6	37.3	33
16-5P	31.4	24.9	27.9	27.9	25.3
16-5S	34.3	27.8	30.9	30.9	28.3
16-12P	32.1	25.6	28.7	28.7	26.1
16-12S	35.8	29.3	32.3	32.3	29.7
16-204P	30.1	23.6	27.7	26.6	32.4
16-204S	33.5	27	30.2	30.1	35.5
16-205P	30.4	23.9	28.2	26.9	32.9
16-205S	33.8	26.4	30.6	30.4	35.9

SERIES 801 DOUBLE-START MATING



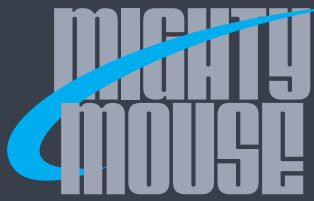
SERIES 801 DOUBLE-START ACME THREAD
Mighty Mouse Connectors and Cables
Connector Weights



SERIES 801 DOUBLE-START MATING

Series 801 Connector Weights (maximum connector weight in grams)					
Contact Arr.	Cable Plug	Jam-Nut Recep Crimp	Jam-Nut Recep PCB	Square Flange Recep Crimp	Square Flange Recep PCB
16-206P	30.6	24.1	28.3	27.1	33
16-206S	33.9	26.5	30.9	30.5	36.2
16-207P	31.4	24.9	29.2	27.9	33.9
16-207S	34.7	27.3	32.1	31.3	37.4
16-208P	32.6	26.1	29.4	29.1	34.1
16-208S	37.5	30.1	33.8	34.1	39.1
16-235P	31.7	25.2	29.7	28.2	34.4
16-235S	35.7	28.3	32.8	32.3	38.1
16-55P	29.2	22.7	26.7	26.7	24.1
16-55S	32.1	25.6	28.7	28.7	26.1
17-3P	38.2	35.1	34.9	37.7	30.3
17-3S	46.4	43.3	43.8	46	39.1
17-7P	32.8	29.7	32.3	32.3	27.7
17-7S	36.3	33.2	35.9	35.9	31.2
17-14P	35.9	32.8	35.4	35.4	30.8
17-14S	35.5	32.5	35.1	35.1	30.5
17-203P	30.7	27.6	30.8	30.2	36.4
17-203S	34.8	31.7	33.6	34.4	39.9
17-204P	31.3	28.2	31.8	30.8	36.9
17-204S	35.7	32.6	35.1	35.3	41.4
17-205P	32.9	29.8	32	32.4	37.1
17-205S	38.5	35.4	36.8	38.1	43.1
17-241P	32.3	29.2	32.8	31.8	37.9
17-241S	37.1	34	36.4	36.7	42.7
17-85P	30.9	25.5	31.9	31.9	36.7
17-85S	34.1	28.8	33.7	33.7	38.8
19-4P	44.8	41.7	42.3	44.3	47.4
19-4S	54.7	51.6	53.3	54.3	59.6
19-19P	37.3	34.2	39.9	36.8	45
19-19S	41.1	38	42.8	40.7	49.2
19-201P	39.7	36.6	40	39.2	45.1
19-201S	47	43.9	46.9	46.6	53.2
19-202P	45.3	42.2	44	44.8	55.7
19-202S	55.4	52.3	55	55	62.5
19-255P	37.1	34	39.6	36.6	44.7
19-255S	42.4	39.3	43.5	42	49.8
19-100P	35	31.9	39.3	33.1	41.2
19-100S	40.1	37	42.1	37.2	43.4
21-5P	47.3	43.3	41.7	20.5	38.4
21-5S	60.2	56.2	55.7	24.9	52.4
21-12P	38.5	34.5	37.8	29	34.5
21-12S	43.6	39.6	42.9	34.1	39.6
21-22P	41	37.1	40.4	31.6	37.1

Series 801 Connector Weights (maximum connector weight in grams)					
Contact Arr.	Cable Plug	Jam-Nut Recep Crimp	Jam-Nut Recep PCB	Square Flange Recep Crimp	Square Flange Recep PCB
21-22S	48	44	47.3	38.5	44
21-200P	44.9	40.9	41.3	35.4	38
21-200S	56.7	52.7	53.2	47.2	49.9
21-269P	37.6	33.6	38.3	28.1	35
21-269S	44.8	40.8	43.4	35.3	40.1
21-130P	36.2	32.2	35.5	37.4	42.8
21-130S	43.3	39.4	42.7	42	45.2

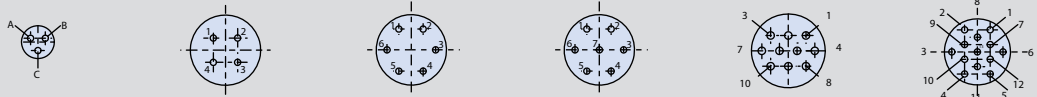


SERIES 801 DOUBLE-START ACME THREAD Mighty Mouse Connectors and Cables

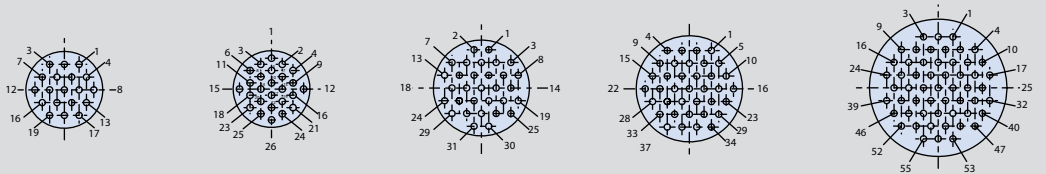


Contact Arrangements, Mating Face of Pin Insert Shown

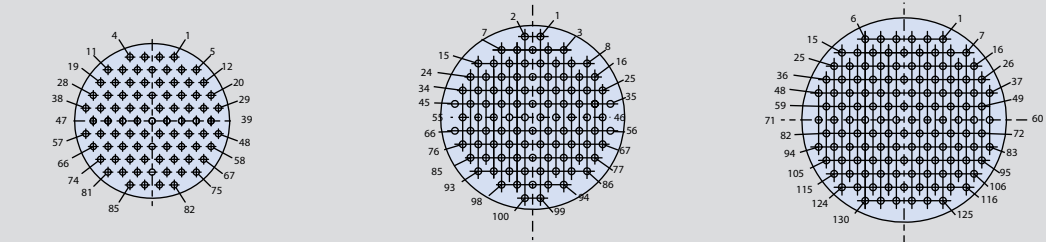
SIZE #23 CONTACTS, TESTED AT 750 VAC



Insert Arrangement	5-3	6-4	6-6	6-7	7-10	8-13
No. of Contacts	3	4	6	7	10	13

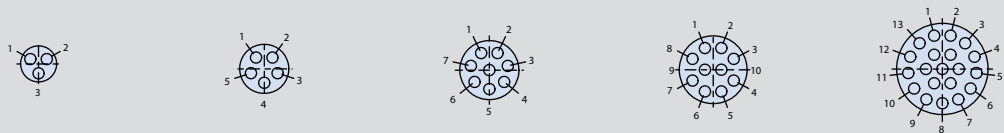


Insert Arrangement	9-19	10-26	11-31	13-37	16-55
No. of Contacts	19	26	31	37	55

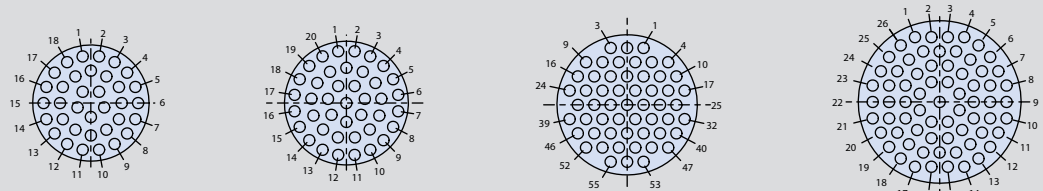


Insert Arrangement	17-85	19-100	21-130
No. of Contacts	85	100	130

SIZE #20HD CONTACT ARRANGEMENTS, TESTED AT 1000 VAC

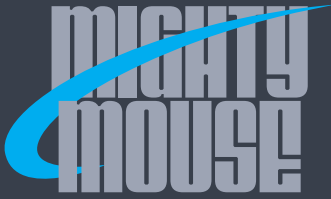


Insert Arrangement	6-23	7-25	8-28	9-210	13-220
No. of Contacts	3	5	8	10	20



Insert Arrangement	16-235	17-241	19-255	21-269
No. of Contacts	35	41	55	69

SERIES 801 DOUBLE-START MATING

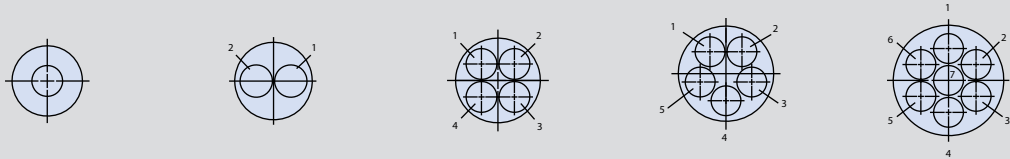


SERIES 801 DOUBLE-START ACME THREAD
Mighty Mouse Connectors and Cables

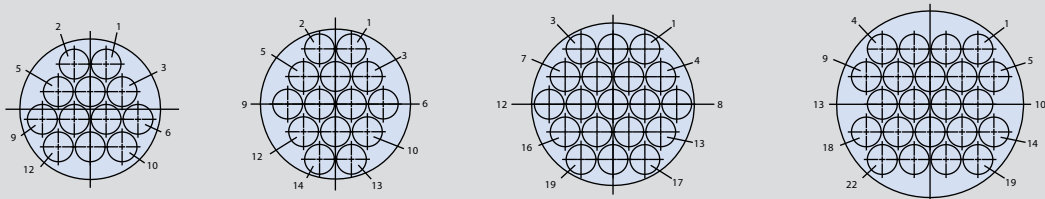


Contact Arrangements,
Mating Face of Pin Insert Shown

SIZE #16 CONTACT ARRANGEMENTS, TESTED AT 1800 VAC

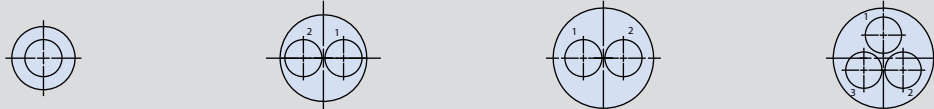


Insert Arrangement	6-1	8-2	9-4	10-5	13-7
No. of Contacts	1	2	4	5	7

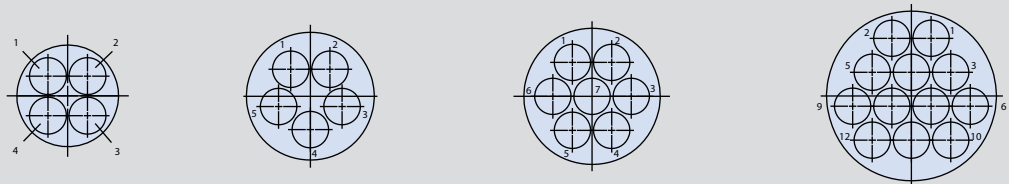


Insert Arrangement	16-12	17-14	19-19	21-22
No. of Contacts	12	14	19	22

SIZE #12 CONTACT ARRANGEMENTS, TESTED AT 1800 VAC

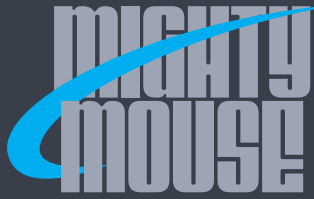


Insert Arrangement	7-1	10-2	13-2	13-3
No. of Contacts	1	2	2	3



Insert Arrangement	16-4	16-5	17-7	21-12
No. of Contacts	4	5	7	12

SERIES 801 DOUBLE-START MATING

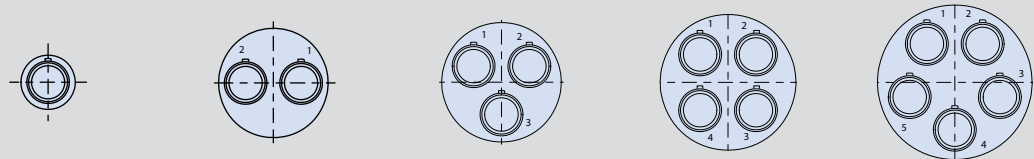


SERIES 801 DOUBLE-START ACME THREAD Mighty Mouse Connectors and Cables



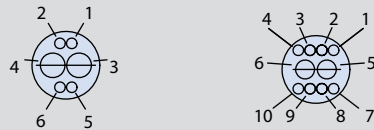
Contact Arrangements, Mating Face of Pin Insert Shown

SIZE #8 CONTACT ARRANGEMENTS, TESTED AT 1800 VAC



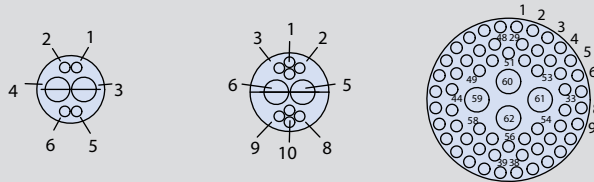
Insert Arrangement	8-1	16-2	17-3	19-4	21-5
Metal Insert Arrangement	8G1	16G2	17G3	19G4	21G5
No. of Contacts	1	2	3	4	5

SIZE #20 AND SIZE #23 SIGNAL, COMBO CONTACT ARRANGEMENTS, TESTED AT 750 VAC



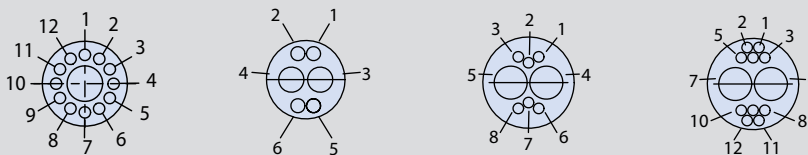
Insert Arrangement	8-200		9-201	
Contact Size	#20	#23	#20	#23
No. of Contacts	2	4	2	8

SIZE #16 AND SIZE #23, COMBO CONTACT ARRANGEMENTS, TESTED AT 750 VAC

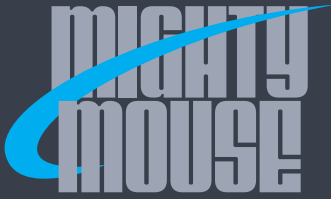


Insert Arrangement	9-200		10-202		17-206	
Contact Size	#16	#23	#16	#23	#16	#23
No. of Contacts	2	4	2	8	4	58

SIZE #12 AND SIZE #23, COMBO CONTACT ARRANGEMENTS, TESTED AT 750 VAC



Insert Arrangement	10-200		10-201		13-200		13-201	
Contact Size	#12	#23	#12	#23	#12	#23	#12	#23
No. of Contacts	1	12	2	4	2	6	2	10

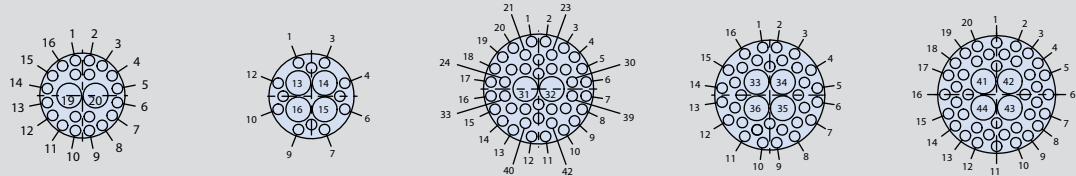


SERIES 801 DOUBLE-START ACME THREAD Mighty Mouse Connectors and Cables



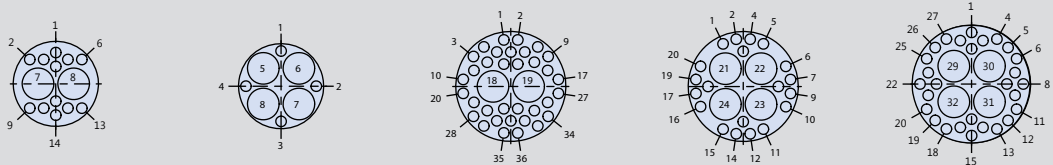
Contact Arrangements, Mating Face of Pin Insert Shown

SIZE #16 AND SIZE #23, COMBO CONTACT ARRANGEMENTS, TESTED AT 1300 VAC



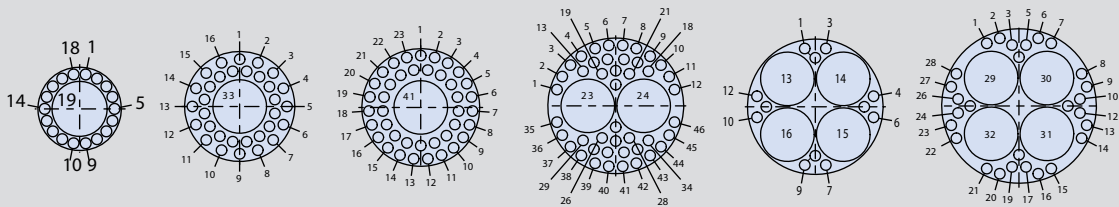
Insert Arrangement	13-202		13-203		16-204		16-205		17-203	
Contact Size	#16	#23	#16	#23	#16	#23	#16	#23	#16	#23
No. of Contacts	2	20	4	12	2	40	4	32	4	40

SIZE #12 AND SIZE #23, COMBO CONTACT ARRANGEMENTS, TESTED AT 1300 VAC



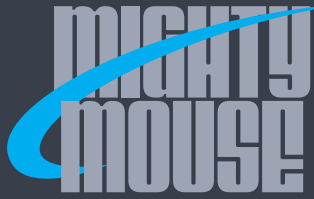
Insert Arrangement	13-204		13-205		16-206		16-207		17-204	
Contact Size	#12	#23	#12	#23	#12	#23	#12	#23	#12	#23
No. of Contacts	2	12	4	4	2	34	4	20	4	28

SIZE #8 AND SIZE #23, COMBO CONTACT ARRANGEMENTS, TESTED AT 1300 VAC



Insert Arrangement	11-201		16-208		17-205		19-201		19-202		21-200	
Contact Size	#8	#23	#8	#23	#8	#23	#8	#23	#8	#23	#8	#23
No. of Contacts	1	18	1	32	1	40	2	44	4	22	4	28

SERIES 801 DOUBLE-START MATING

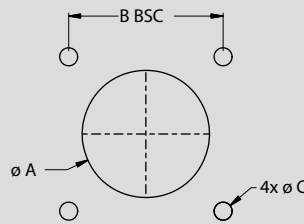
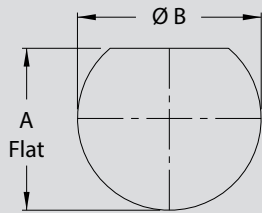


SERIES 801 DOUBLE-START ACME THREAD Mighty Mouse Connectors and Cables



Panel Cut-Out Dimensions and Key / Keyway Positions and Polarization

PANEL CUT-OUT POSITIONS

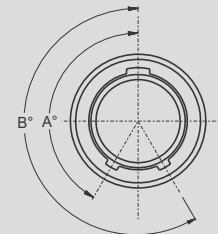


Jam-Nut, Rear Panel Mount		
Shell Size	A Flat	Ø B
5	.358 (9.09)	.385 (9.78)
	.354 (8.99)	.380 (9.65)
6	.418 (10.62)	.448 (11.38)
	.414 (10.52)	.443 (11.25)
7	.544 (13.82)	.572 (14.53)
	.540 (13.72)	.567 (14.40)
8	.544 (13.82)	.572 (14.53)
	.540 (13.72)	.567 (14.40)
9	.604 (15.34)	.635 (16.13)
	.600 (15.24)	.630 (16.00)
10	.668 (16.97)	.698 (17.73)
	.664 (16.87)	.693 (17.60)
11	.726 (18.44)	.760 (19.30)
	.722 (18.34)	.755 (19.18)
13	.853 (21.67)	.885 (22.48)
	.849 (21.56)	.880 (22.35)
16	1.030 (26.16)	1.072 (27.23)
	1.026 (26.06)	1.067 (27.10)
17	1.104 (28.04)	1.135 (28.83)
	1.100 (27.94)	1.130 (28.70)
19	1.235 (31.37)	1.260 (32.00)
	1.231 (31.27)	1.255 (31.88)
21	1.355 (34.42)	1.385 (35.18)
	1.351 (34.32)	1.380 (35.05)

Square Flange			
Shell Size	Ø A	B BSC	Ø C
5	.328 (8.33)	.363 (9.22)	.096 (2.44)
			.091 (2.31)
6	.390 (9.91)	.423 (10.74)	.096 (2.44)
			.091 (2.31)
7	.453 (11.51)	.483 (12.27)	.096 (2.44)
			.091 (2.31)
8	.515 (13.08)	.545 (13.84)	.096 (2.44)
			.091 (2.31)
9	.578 (14.68)	.607 (15.42)	.130 (3.30)
			.126 (3.20)
10	.640 (16.26)	.670 (17.02)	.130 (3.30)
			.126 (3.20)
11	.703 (17.86)	.715 (18.16)	.130 (3.30)
			.126 (3.20)
13	.828 (21.03)	.812 (20.62)	.130 (3.30)
			.126 (3.20)
16	1.015 (25.78)	.981 (24.92)	.130 (3.30)
			.126 (3.20)
17	1.078 (27.38)	1.060 (26.92)	.130 (3.30)
			.126 (3.20)
19	1.203 (30.56)	1.191 (30.25)	.130 (3.30)
			.126 (3.20)
21	1.328 (33.73)	1.322 (33.58)	.130 (3.30)
			.126 (3.20)

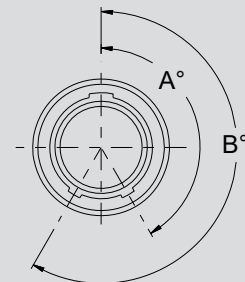
POLARIZATION

Plug Key Positions

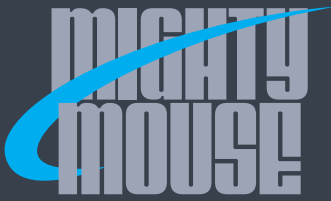


Position	A°	B°
A	150°	210°
B	75°	210°
C	95°	230°
D	140°	275°
E	75°	275°
F	95°	210°

Receptacle Keyway Positions



Position	A°	B°
A	150°	210°
B	75°	210°
C	95°	230°
D	140°	275°
E	75°	275°
F	95°	210°



SERIES 801 DOUBLE-START ACME THREAD Mighty Mouse Connectors and Cables



Plug with Banding Platform or Rear Accessory Threads and Crimp Contacts



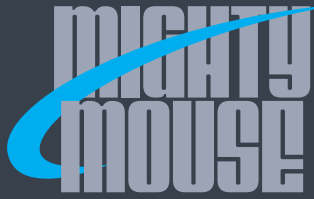
Series 801 Mighty Mouse Connector features a double-start stub ACME thread for improved protection against cross-mating and thread damage. Connector shells are machined aluminum or stainless steel. Supplied with crimp contacts, packaged separately. Terminate contacts with standard M22520 tools. Metal clips inside the connector body lock contact into place. Contacts are removable. Fluorosilicone seals and rear grommet protect connector from water ingress. Terminate cable shield directly to banding platform with Band-Master™ ATS strap or choose rear accessory thread to attach optional cable clamp or backshell.

How To Order		801-007	-16	M	9-4	P	A
Sample Part Number							
Series (See Table I)	801-007 = With Banding Platform 801-008 = With Rear Accessory Thread						
Shell Style	-16 = Plug with Anti-Decoupling Spring -26 = Self-Locking Plug with Ratchet Mechanism						
Shell Material and Finish	C = Aluminum / Black Anodize (Non-Conductive) M = Aluminum / Electroless Nickel NF = Aluminum / Cadmium with Olive Drab Chromate ZN = Aluminum / Zinc-Nickel with Olive Drab Chromate ZNU = Aluminum / Zinc-Nickel with Black Chromate MT = Aluminum / Nickel-PTFE Z1 = Stainless Steel / Passivated						
Shell Size - Insert Arrangement	See Contact Arrangements page E-7						
Contact Type	Connector supplied with contacts P = Pin S = Socket Connector supplied without contacts A = Pin Connector B = Socket Connector Connector supplied with size 30 AWG contacts G = #23 Pin H = #23 Socket Connectors with contacts are supplied with crimp contacts. Contacts not installed. For coax contacts order contacts separately and request pin or socket connector without contacts.						
Polarization (See Table II)	A = Normal B = Pos. B C = Pos. C D = Pos. D E = Pos. E F = Pos. F G = Pos. G H = Pos. H J = Pos. J						

SERIES 801 DOUBLE-START MATING

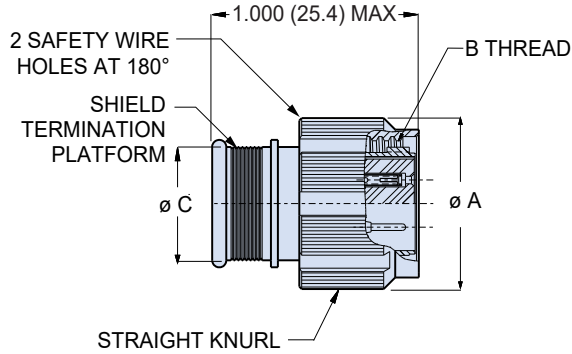
Table I: Series	
801-007 Banding Platform	801-008 Rear Accessory Thread

Table II: Key Positions		
Position	A°	B°
A	150°	210°
B	75°	210°
C	95°	230°
D	140°	275°
E	75°	275°
F	95°	210°

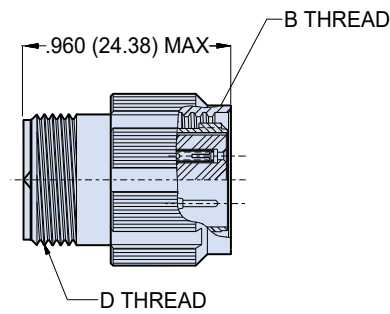


Plug with Banding Platform or Rear Accessory Threads and Crimp Contacts

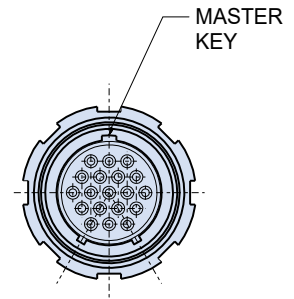
PLUG CONNECTOR



Integral Band Platform
801-007



Accessory Thread
801-008



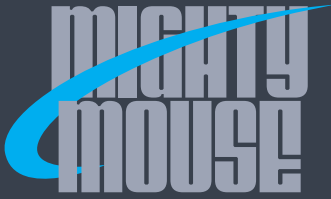
MATING OF PLUG WITH SOCKET SIZE 9 SHOWN

Dimensions					
Shell Size	Ø A Style 16	Ø A Style 26	B Thread	Ø C	D Thread
5	0.54 (13.72)	0.65 (16.51)	.3125-.05P-.1L-DS-2B	.245 (6.22)	.2500-32 UNEF-2A
6	0.60 (15.24)	0.69 (17.53)	.3750-.05P-.1L-DS-2B	.290 (7.37)	.3125-32 UNEF-2A
7	0.69 (17.53)	0.79 (20.07)	.4375-.05P-.1L-DS-2B	.390 (9.91)	.4375-28 UNEF-2A
8	0.75 (19.05)	0.83 (21.08)	.5000-.05P-.1L-DS-2B	.445 (11.30)	.5000-28 UNEF-2A
9	0.81 (20.57)	0.92 (23.37)	.5625-.05P-.1L-DS-2B	.500 (12.70)	.5625-24 UNEF-2A
10	0.88 (22.35)	0.98 (24.89)	.6250-.05P-.1L-DS-2B	.560 (14.22)	.6250-24 UNEF-2A
11	0.92 (23.37)	1.02 (25.91)	.6875-.05P-.1L-DS-2B	.605 (15.37)	.6875-24 UNEF-2A
13	1.05 (26.67)	1.10 (27.94)	.8125-.1P-.2L-DS-2B	.650 (16.51)	.6875-24 UNEF-2A
16	1.24 (31.50)	1.34 (34.04)	1.0000-.1P-.2L-DS-2B	.805 (20.45)	.9375-20 UNEF-2A
17	1.30 (33.02)	1.45 (36.83)	1.0625-.1P-.2L-DS-2B	.850 (21.59)	.9375-20 UNEF-2A
19	1.40 (35.56)	1.50 (38.10)	1.1875-.1P-.2L-DS-2B	1.003 (25.48)	1.0625-18 UNEF-2A
21	1.55 (39.37)	1.65 (41.91)	1.3125-.1P-.2L-DS-2B	1.110 (28.19)	1.1875-18 UNEF-2A

NOTES

- Contacts are crimp type, and used in a rear release retention system
- Plug mates with all quick coupling high density receptacle connectors with same polarization and opposite contact gender (801-003 through 801-006 and 801-009 through 801-012)
- Connectors supplied with standard crimp contacts. For coax or other special contacts, order connector less contacts and order contacts separately
- For all insert arrangements with size #8 contacts, add .320" to overall length. For -26 shell style, add .127". For both, add .447"
- 801-007: For all insert arrangements with size #8 contacts, add .320" to overall length. For -26 shell style, add .127". For both add .425"
- 801-008: For all insert arrangements with size #8 contacts, add .220" to overall length. For -26 shell style, add .160". For both add .320"
- Material / finish:
 - Plug barrel, coupling nut: Aluminum Alloy or CRES; see How to Order Table
 - Insulator: High grade rigid dielectric / N.A.
 - Interfacial seal, grommet seal: fluorosilicone / N.A.
 - Contact: copper alloy / gold plate per ASTM B 488, Type II, Code C, Class 1.25, over a suitable underplate

SERIES 801 DOUBLE-START MATING



SERIES 801 DOUBLE-START ACME THREAD Mighty Mouse Connectors and Cables



Panel Plug with Crimp Contacts or PCB Panel Plug with Non-removable Contacts



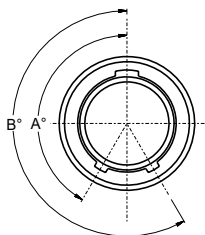
Series 801 Mighty Mouse Panel Plug features a double-start modified stub ACME mating thread for improved protection against cross-mating and thread damage. Connector shells are machined aluminum or stainless steel. Available with crimp type rear-release

contacts for 801-113. Select 801-114 for PCB applications available with non-removable PC tails or solder cup contacts for attachment to rigid boards or direct wire attachment. Available in shell sizes 5 through 21 in 61 contact arrangements.

How To Order

Sample Part Number	801-114	-26	ZNU	9-19	P	A
Series	801-113 = Connector with Crimp Type Contacts 801-114 = PCB Connector with Non-Removable Contacts					
Shell Style	-26 = Self Locking Panel Plug Connector with Ratchet Mechanism					
Material and Finish	M = Aluminum / Electroless Nickel MT = Aluminum / Nickel-PTFE NF = Aluminum / Cadmium with Olive Drab Chromate ZNU = Aluminum / Zinc-Nickel with Black Chromate Z1 = Stainless Steel / Passivated					
Shell Size - Insert Arrangement	See Contact Arrangements page E-7					
Contact Type	801-113 Options A = Pin Connector, Less Contacts P = Pin, Crimp B = Socket Connector, Less Contacts S = Socket, Crimp 801-114 Options E = Pin, Solder Cup P = Pin, PC Tail F = Socket, Solder Cup S = Socket, PC Tail (See Table II) Connectors with contacts are supplied with crimp contacts. Contacts not installed. For coax or contacts, order contacts separately and request pin or socket connector without contacts.					
Polarization (See Table I)	A = Normal B = Pos. B C = Pos. C D = Pos. D E = Pos. E F = Pos. F					

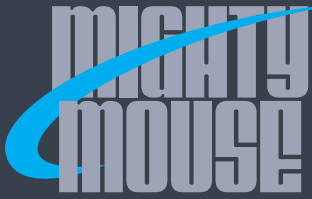
Table I: Key Positions



Position	A°	B°
A	150°	210°
B	75°	210°
C	95°	230°
D	140°	275°
E	75°	275°
F	95°	210°

NOTES

- 801-113 contacts are crimp type, and used in a rear release retention system
801-114 contacts are potted in position and non removable
- Plug mates with all quick coupling high density receptacle connectors with same polarization and opposite contact gender (801-003 through 801-006 and 801-009 through 801-012)
- Connectors supplied with standard crimp contacts. For coax or other special contacts, order connector less contacts (Contact style A or B) and order contacts separately
- Material / finish:
 - Shell, lock ring, coupling nut: Aluminum Alloy or CRES; see How to Order Table
 - Insulator: High Grade Rigid Dielectric / N.A.
 - Interfacial seal, grommet seal: fluorosilicone / N.A.
 - Contact: copper alloy / gold plate per ASTM B 488, Type II, Code C, Class 1.25, over a suitable underplate

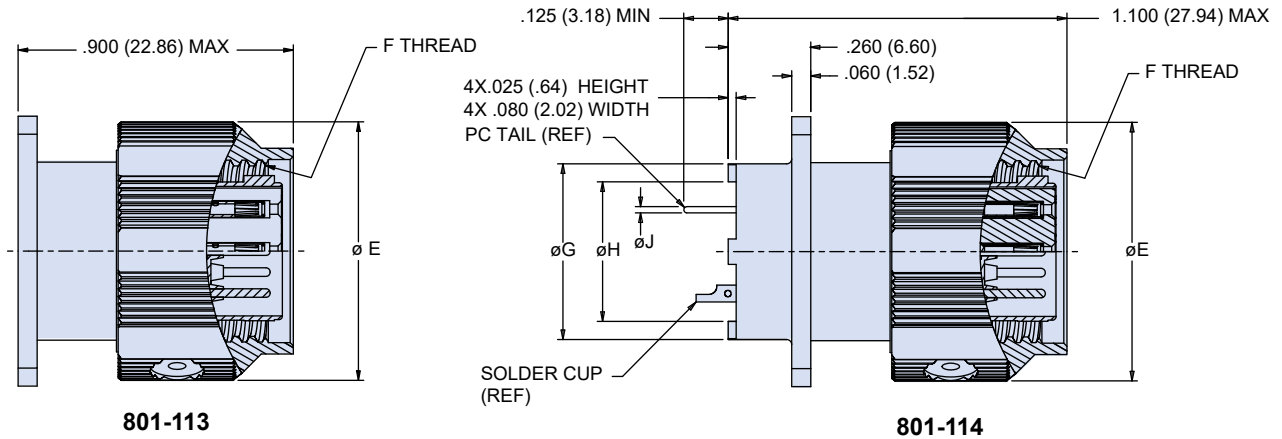


SERIES 801 DOUBLE-START ACME THREAD Mighty Mouse Connectors and Cables



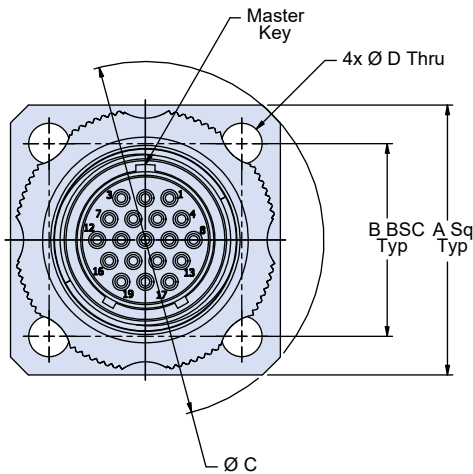
Panel Plug with Crimp Contacts or PCB Panel Plug with Non-removable Contacts

PANEL PLUG - SHELL SIZE 26



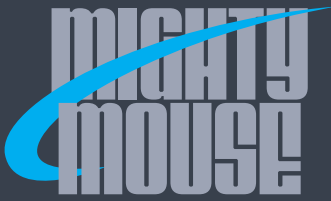
801-113

801-114



PC Tails Dimensions	
Contact Size	Ø J
#23	.018/.022
#16	.060/.064
#12	.092/.096

Dimensions								
Shell Size	A Sq	B Bsc	Ø C	Ø D	Ø E	F Thread	Ø G	Ø H
5	.590 (14.99)	.423 (10.74)	.750 (19.05)	.093 (2.36)	.65 (16.51)	.3125-.05P-.1L-2B	.244 (6.20)	.175 (4.44)
6	.590 (14.99)	.423 (10.74)	.750 (19.05)	.093 (2.36)	.65 (16.51)	.3750-.05P-.1L-2B	.330 (8.38)	.238 (6.05)
7	.650 (16.51)	.483 (12.27)	.850 (21.59)	.093 (2.36)	.69 (17.53)	.4375-.05P-.1L-2B	.432 (10.97)	.327 (8.31)
8	.712 (18.08)	.545 (13.84)	.938 (23.83)	.093 (2.36)	.79 (20.07)	.5000-.05P-.1L-2B	.493 (12.52)	.388 (9.86)
9	.850 (21.59)	.607 (15.42)	1.125 (28.58)	.128 (3.25)	.83 (21.08)	.5625-.05P-.1L-2B	.551 (14.00)	.446 (11.33)
10	.890 (22.61)	.670 (17.02)	1.188 (30.18)	.128 (3.25)	.92 (23.37)	.6250-.05P-.1L-2B	.620 (15.75)	.516 (13.11)
11	.935 (23.75)	.715 (18.16)	1.250 (31.75)	.128 (3.25)	1.00 (25.40)	.6875-.05P-.1L-2B	.662 (16.81)	.557 (14.15)
13	1.030 (26.16)	.812 (20.62)	1.375 (34.92)	.128 (3.25)	1.10 (27.94)	.8125-.1P-.2L-2B	.703 (17.86)	.599 (15.21)
16	1.219 (30.96)	.981 (24.92)	1.625 (41.28)	.128 (3.25)	1.34 (34.04)	1.0000-.1P-.2L-2B	.863 (21.92)	.759 (19.28)
17	1.280 (32.51)	1.060 (26.92)	1.700 (43.18)	.128 (3.25)	1.45 (36.83)	1.0625-.1P-.2L-2B	.912 (23.16)	.808 (20.52)
19	1.432 (36.37)	1.191 (30.25)	1.900 (48.26)	.128 (3.25)	1.50 (38.10)	1.1875-.1P-.2L-2B	1.018 (25.86)	.910 (23.11)
21	1.565 (39.75)	1.322 (33.58)	2.100 (53.34)	.128 (3.25)	1.65 (41.91)	1.3125-.1P-.2L-2B	1.170 (29.72)	1.061 (26.95)



SERIES 801 DOUBLE-START ACME THREAD Mighty Mouse Connectors and Cables



Cobra™ Low-Profile Right Angle Plug with Crimp or Solder Contact Termination



Series 801 Mighty Mouse Cobra Connectors reduce clearance requirements without compromising ruggedness or shielding performance. Each Cobra assembly is equipped with a removable rear cover and gasket for easy crimp or solder contact termination of the connector. Both pin and socket versions are available for both crimp and solder terminated versions. Integrated low-profile backshell is equipped with an EMI/RFI shield termination platform and a shrink boot lip. The ultra-lightweight assembly may be clocked in eight different angle orientations for additional flexibility in cable routing. Fourteen contact arrangements are available, all with Size #23 contacts from shell size 5 to 21 with 3 to 130 contacts respectively. Connector shells are aluminum alloy or SST

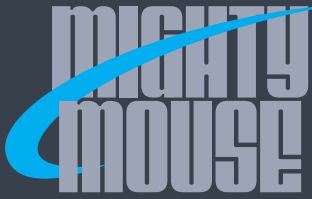
How To Order							
Sample Part Number	801-069-26	ZNU	8-13	P	A	1	05
Series	801-069-26 = Double-Start Self-Locking Plug with Ratchet Mechanism						
Material and Finish	M = Aluminum / Electroless Nickel NF = Aluminum / Cadmium with Olive Drab Chromate ZNU = Aluminum / Zinc-Nickel with Black Chromate MT = Aluminum / Nickel-PTFE Z1 = Stainless Steel / Passivated						
Shell Size - Insert Arrangement	5-3, 6-4, 6-6, 6-7, 7-10, 8-13, 9-19, 10-26, 11-31, 13-37, 16-55, 17-85, 19-100, 21-130 See page E-7 for layouts						
Contact Type	P = Pin, Crimp A = Pin, Solder S = Socket, Crimp B = Socket, Solder Connectors with contacts are supplied with crimp contacts. Contacts not installed. For coax contacts, order contacts separately and connector without contacts.						
Polarization (See Table I)	A = Normal B = Pos. B C = Pos. C D = Pos. D E = Pos. E F = Pos. F						
Cable Exit Direction (See Table II)	1, 2, 3, 4, 5, 6, 7, 8						
Cable Entry Size (See Table III)	02, 03, 04, 05, 06, 07, 08, 09, 10, 11, 12, 13, 14, 15, 16, 17						

SERIES 801 DOUBLE-START MATING

Position	A°	B°
A	150°	210°
B	75°	210°
C	95°	230°
D	140°	275°
E	75°	275°
F	95°	210°

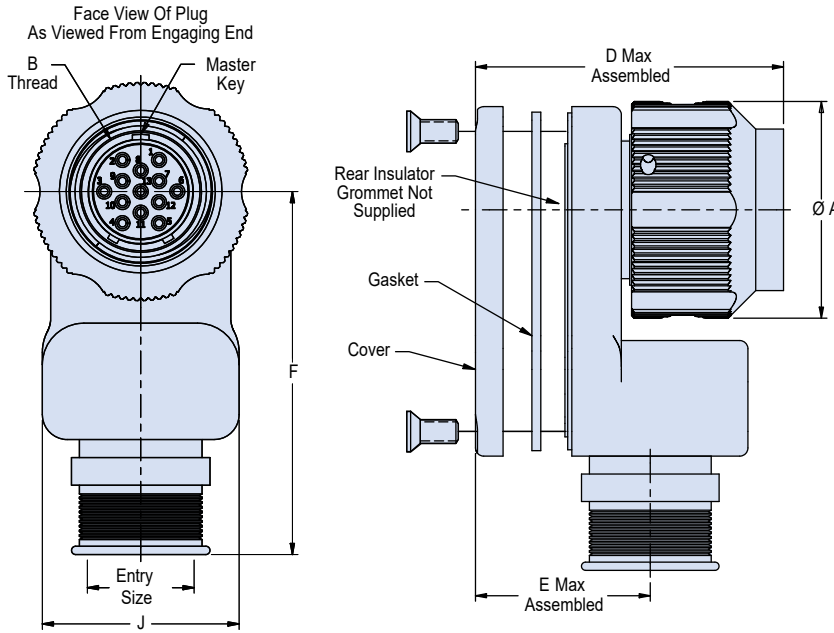
Cable Exit Code	C°	
1	0°	
2	45°	
3	90°	
4	135°	
5	180°	
6	225°	
7	270°	
8	315°	Cable Exit Direction (Direction 2 Shown)

Code	Entry Size	Code	Entry Size
02	.125 (3.18)	10	.625 (15.88)
03	.188 (4.78)	11	.688 (17.48)
04	.250 (6.35)	12	.750 (19.05)
05	.313 (7.95)	13	.813 (20.65)
06	.375 (9.52)	14	.875 (22.23)
07	.438 (11.13)	15	.938 (23.83)
08	.500 (12.70)	16	1.000 (25.40)
09	.563 (14.30)	17	1.063 (27.00)



Cobra™ Low-Profile Right Angle Plug with Crimp or Solder Contact Termination

RIGHT ANGLE COBRA™ PLUG



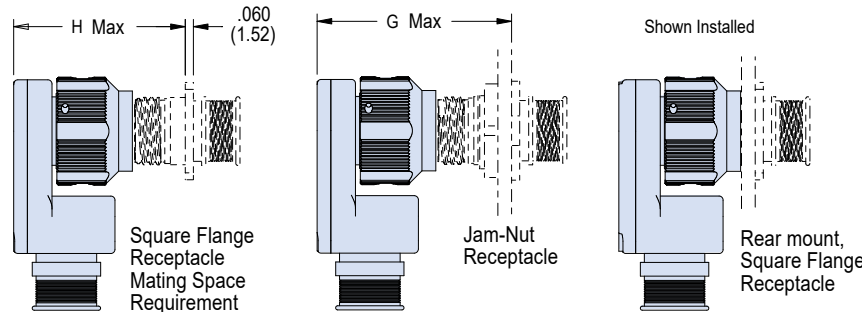
NOTES

1. Contacts are size 23 crimp type, and used in a rear release retention system
2. Consult factory for additional contact arrangements or shell orientations
3. Crimp barrel accommodates 22, 23, 26, and 28 gage wire
4. Crimp tool data:
 - Hand crimp tool: Glenair P/N 809-015
 - Positioner for hand tool: Glenair P/N 809-005
 - Insertion / extraction tool: Glenair P/N/ 809-008
5. Plug mates with all quick coupling high density receptacle connectors with same polarization and opposite contact gender

Material / finish:

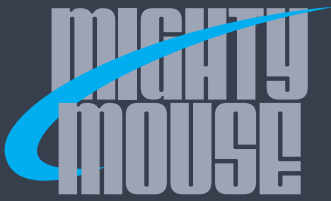
- Plug barrel, coupling nut, housing, cover: Aluminum Alloy or CRES; see How to Order Table
- Insulator: High Grade Rigid Dielectric / N.A.
- Interfacial seal, gasket: fluorosilicone / N.A.
- Contact: copper alloy / gold plate per ASTM B 488, Type II, Code C, Class 1.25, over a suitable underplate
- Contact retention clip: beryllium copper alloy / N.A.
- Hardware: stainless steel / passivate or black oxide
- Retaining wire: Torlon / N.A.
- Detent spring / rivet: stainless steel / passivate

Mating Space Requirements



Dimensions

Shell Size	Ø A	B Thread	D Max	E Max	F	G	H	J	Max Entry
5	.65(16.5)	.3125-.05P-.1L-2B	.84 (21.3)	.32 (8.1)	1.21 (30.7)	1.40 (35.6)	1.23 (31.2)	.500 (12.70)	03
6	.65(16.5)	.3750-.05P-.1L-2B	.86 (21.8)	.34 (8.6)	1.24 (31.5)	1.42 (36.1)	1.25 (31.8)	.560 (14.22)	04
7	.69(17.5)	.4375-.05P-.1L-2B	.88 (22.4)	.39 (9.9)	1.28 (32.5)	1.44 (36.6)	1.27 (32.3)	.650 (16.51)	05
8	.79(20.1)	.5000-.05P-.1L-2B	.89 (22.6)	.42 (10.7)	1.31 (33.3)	1.45 (36.8)	1.28 (32.5)	.710 (18.03)	06
9	.83(21.1)	.5625-.05P-.1L-2B	.92 (23.4)	.45 (11.4)	1.34 (34.0)	1.48 (37.6)	1.31 (33.3)	.770 (19.56)	07
10	.92(23.4)	.6250-.05P-.1L-2B	.96 (24.4)	.48 (12.2)	1.37 (34.8)	1.52 (38.6)	1.35 (34.3)	.835 (21.21)	08
11	.98 (24.9)	.6875-.05P-.1L-2B	.99 (25.1)	.50 (12.7)	1.40 (35.6)	1.55(39.4)	1.38 (35.1)	900 (22.86)	09
13	1.10(27.9)	.8125-.1P-.2L-2B	1.13 (28.7)	.52 (13.2)	1.48 (37.6)	1.80 (45.7)	1.63 (41.4)	.950 (24.13)	10
16	1.34(34.0)	1.0000-.1P-.2L-2B	1.21 (30.7)	.58 (14.7)	1.64 (41.7)	1.88 (47.8)	1.71 (43.4)	1.070 (27.18)	12
17	1.45(36.8)	1.0625-.1P-.2L-2B	1.28 (32.5)	.63 (16.0)	1.78 (45.2)	1.92 (48.8)	1.78 (45.2)	1.180 (29.97)	13
19	1.50(38.1)	1.1875-.1P-.2L-2B	1.40 (35.6)	.70 (17.8)	1.89 (48.0)	2.07 (52.6)	1.90 (48.3)	1.300 (33.02)	15
21	1.65(41.9)	1.3125-.1P-.2L-2B	1.51 (38.4)	.76 (19.3)	1.98 (50.3)	2.18 (55.4)	2.01 (51.1)	1.410 (35.81)	17



SERIES 801 DOUBLE-START ACME THREAD Mighty Mouse Connectors and Cables



Receptacles with Rear-Release Crimp Contacts with Banding Porch or Accessory Threads



Series 801 Mighty Mouse Receptacle Connector features a double-start modified stub ACME mating thread for improved protection against cross-mating and thread damage. Connector shells are machined aluminum or stainless steel. Supplied with crimp contacts, packaged separately. Terminate contacts with standard M22520 tools. Metal clips inside the connector body lock contact into place. Contacts are removable. Fluorosilicone seals and rear grommet protect connector from water ingress. Terminate cable shield directly to band platform with Band-Master™ ATS strap or choose rear accessory thread to attach optional cable clamp or backshell. Available in shell sizes 5 through 21 with 67 contact arrangements.

How To Order

Sample Part Number	801-010	-02	Z1	16-55	S	A
Series (See Table I)	801-009 = Receptacle with Banding Platform 801-010 = Receptacle with Accessory Thread					
Shell Style (See Table II)	-01 = In-Line Cable Receptacle -02 = Square Flange, Front or Rear Panel Mount with Thru-Holes -12 = Square Flange, Rear Panel Mount with "Non-Locking" Clinch Nuts -22 = Square Flange, Rear Panel Mount with "Locking" Clinch Nuts -07 = Jam-Nut, Rear Panel Mount					
Material and Finish	M = Aluminum / Electroless Nickel MT = Aluminum / Nickel-PTFE NF = Aluminum / Cadmium with Olive Drab Chromate ZNU = Aluminum / Zinc-Nickel with Black Chromate Z1 = Stainless Steel / Passivated					
Shell Size - Insert Arr	See Contact Arrangements page E-7					
Contact Type	Connector supplied with contacts P = Pin S = Socket Connectors with contacts are supplied with crimp contacts. Contacts not installed. For coax contacts, order contacts separately and request pin or socket connector without contacts.		Connector supplied without contacts A = Pin Connector B = Socket Connector		Connector supplied with size 30 AWG contacts G = #23 Pin H = #23 Socket	
Polarization (See Table III)	A = Normal B = Pos. B C = Pos. C D = Pos. D E = Pos. E F = Pos. F					

Table I: Series

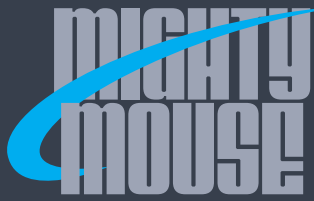
801-009 Banding Platform	801-010 Rear Accessory Thread

Table II: Shell Style

Style -01 In-line	Style -02/-12/-22 Square Flange	Style -07 Jam-Nut

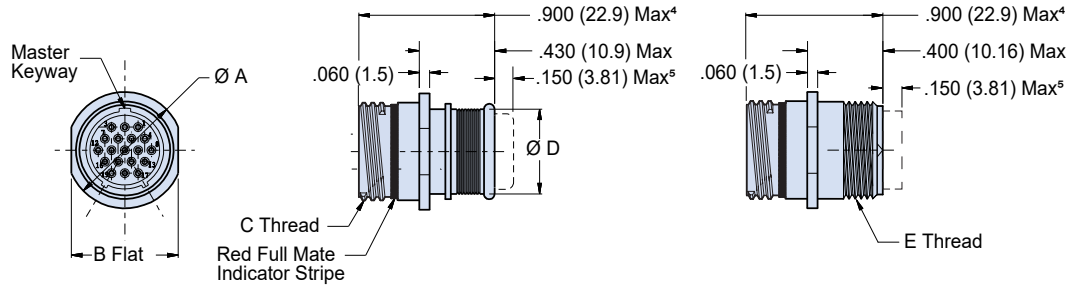
Table III: Keyway Positions

Position	A°	B°
A	150°	210°
B	75°	210°
C	95°	230°
D	140°	275°
E	75°	275°
F	95°	210°



In-Line Receptacle with Crimp Contacts with Banding Porch or Accessory Threads

IN-LINE RECEPTACLE - SHELL STYLE 01



Integral Band Platform
801-009-01

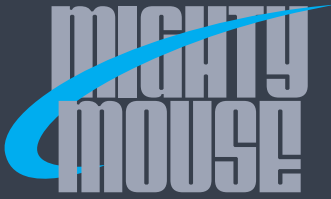
Accessory Thread
801-010-01

Dimensions					
Shell Size	Ø A	B Flat	C Thread	Ø D	E Thread UNEF-2A
5	.355 (9.02)	.325 (8.25)	.3125-.05P-.1L-DS-2A	.245 (6.22)	.2500-32
6	.415 (10.54)	.385 (9.78)	.3750-.05P-.1L-DS-2A	.290 (7.37)	.3125-32
7	.480 (12.19)	.445 (11.30)	.4375-.05P-.1L-DS-2A	.390 (9.91)	.4375-28
8	.540 (13.72)	.510 (12.95)	.5000-.05P-.1L-DS-2A	.445 (11.30)	.5000-28
9	.605 (15.37)	.575 (14.60)	.5625-.05P-.1L-DS-2A	.500 (12.70)	.5625-24
10	.665 (16.89)	.635 (16.13)	.6250-.05P-.1L-DS-2A	.560 (14.22)	.6250-24
11	.730 (18.54)	.700 (17.78)	.6875-.05P-.1L-DS-2A	.605 (15.37)	.6875-24
13	.855 (21.72)	.825 (20.96)	.8125-.1P-.2L-DS-2A	.650 (16.51)	.6875-24
16	1.040 (26.42)	1.010 (25.65)	1.0000-.1P-.2L-DS-2A	.805 (20.45)	.9375-20
17	1.110 (28.19)	1.070 (27.18)	1.0625-.1P-.2L-DS-2A	.850 (21.59)	.9375-20
19	1.243 (31.57)	1.191 (30.25)	1.1875-.1P-.2L-DS-2A	1.003 (25.48)	1.0625-18
21	1.375 (34.92)	1.312 (33.32)	1.3125-.1P-.2L-DS-2A	1.110 (28.19)	1.1875-18

NOTES

- Contacts are crimp type, and used in a rear release retention system
- Receptacle mates with all quick coupling high density receptacle connectors with same polarization and opposite contact gender
- Connectors supplied with standard crimp contacts. For coax or other special contacts, order connector less contacts (Contact style A or B) and order contacts separately
- For all insert arrangements with size #8 contacts add .235" to overall length of 801-010 and .340" to 801-009 overall length
- Grommet protrudes for power/combo size #8 arrangements
- Material / finish:
 - Shell, jam-nut: aluminum alloy or CRES; see How to Order Table
 - Insulator: high grade rigid dielectric / N.A.
 - Interfacial seal, O-rings, grommet: fluorosilicone / N.A.
 - Contact: copper alloy / gold plate per ASTM B 488, Type II, Code C, Class 1.25, over a suitable underplate

SERIES 801 DOUBLE-START MATING

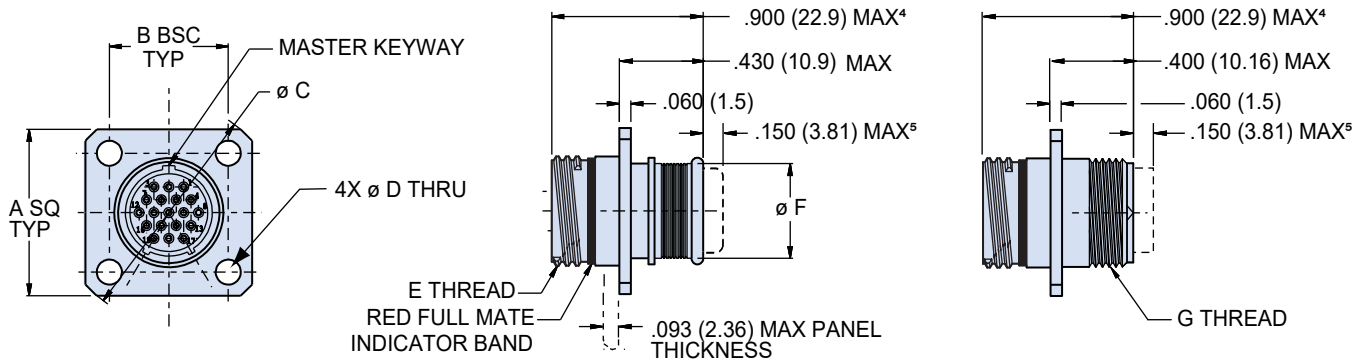


SERIES 801 DOUBLE-START ACME THREAD Mighty Mouse Connectors and Cables



Square Flange Receptacle with Crimp Contacts with Banding Porch or Accessory Threads

SQUARE FLANGE, FRONT OR REAR PANEL MOUNT RECEPTACLE - SHELL STYLE 02



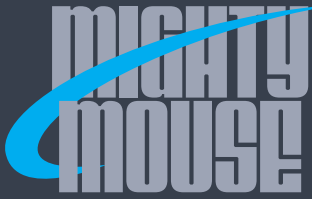
Integral Band Platform
801-009-02

Accessory Thread
801-010-02

Dimensions							
Shell Size	A SQ	B BSC	Ø C	Ø D	E Thread	Ø F	G Thread UNEF-2A
5	.530 (13.46)	.363 (9.22)	.680 (17.27)	.096 (2.44) .091 (2.31)	.3125-.05P-.1L-DS-2A	.245 (6.22)	.2500-32
6	.590 (14.99)	.423 (10.74)	.750 (19.05)		.3750-.05P-.1L-DS-2A	.290 (7.37)	.3125-32
7	.650 (16.51)	.483 (12.27)	.850 (21.59)		.4375-.05P-.1L-DS-2A	.390 (9.91)	.4375-28
8	.712 (18.08)	.545 (13.84)	.938 (23.83)		.5000-.05P-.1L-DS-2A	.445 (11.30)	.5000-28
9	.850 (21.59)	.607 (15.42)	1.125 (28.58)	.130 (3.30) .126 (3.20)	.5625-.05P-.1L-DS-2A	.500 (12.70)	.5625-24
10	.890 (22.61)	.670 (17.02)	1.188 (30.18)		.6250-.05P-.1L-DS-2A	.560 (14.22)	.6250-24
11	.935 (23.75)	.715 (18.16)	1.250 (31.75)		.6875-.05P-.1L-DS-2A	.605 (15.37)	.6875-24
13	1.030 (26.16)	.812 (20.62)	1.375 (34.92)		.8125-.1P-.2L-DS-2A	.650 (16.51)	.6875-24
16	1.219 (30.96)	.981 (24.92)	1.625 (41.28)		1.0000-.1P-.2L-DS-2A	.805 (20.45)	.9375-20
17	1.280 (32.51)	1.060 (26.92)	1.700 (43.18)		1.0625-.1P-.2L-DS-2A	.850 (21.59)	.9375-20
19	1.432 (36.37)	1.191 (30.25)	1.900 (48.26)		1.1875-.1P-.2L-DS-2A	1.003 (25.48)	1.0625-18
21	1.565 (39.75)	1.322 (33.58)	2.100 (53.34)		1.3125-.1P-.2L-DS-2A	1.110 (28.19)	1.1875-18

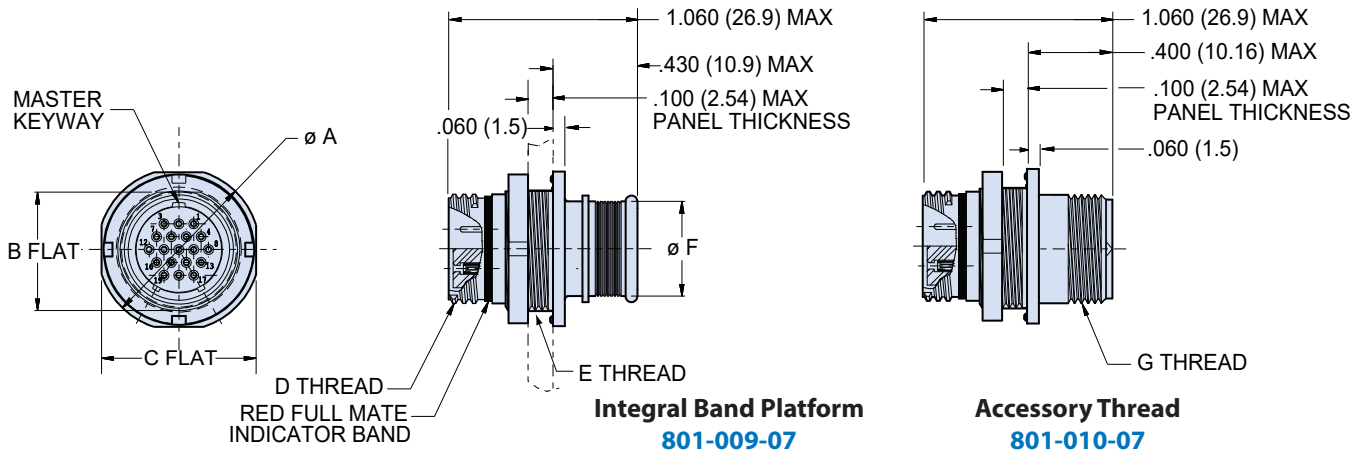
NOTES

- See page E-11 for rear panel cut-out dimensions
- Material / finish:
 - Shell: aluminum alloy or CRES; see How to Order Table
 - Insulator: high grade rigid dielectric / N.A.
 - Interfacial seal, O-rings, grommet: fluorosilicone / N.A.
 - Contact: copper alloy / gold plate per ASTM B 488, Type II, Code C, Class 1.25, over a suitable underplate



Jam-Nut Receptacle with Crimp Contacts with Banding Porch or Accessory Threads

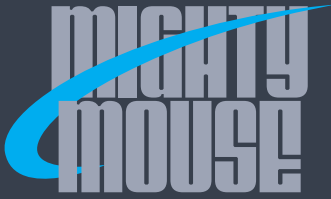
JAM-NUT, REAR PANEL MOUNT RECEPTACLE - SHELL STYLE 07



Dimensions							
Shell Size	Ø A	B Flat	C Flat	D Thread	E Thread UN-2A	Ø F	G Thread UN-2A
5	.575 (14.60)	.350 (8.89)	.545 (13.84)	.3125-.05P-.1L-2A	.375-28	.245 (6.22)	.250-32
6	.635 (16.13)	.410 (10.41)	.595 (15.11)	.375-.05P-.1L-2A	.4375-28	.290 (7.37)	.3125-32
7	.755 (19.18)	.536 (13.61)	.723 (18.36)	.4375-.05P-.1L2A	.5625-32	.390 (9.91)	.4375-28
8	.755 (19.18)	.536 (13.61)	.723 (18.36)	.5000-.05P-.1L-2A	.5625-32	.445 (11.30)	.5000-28
9	.830 (21.08)	.596 (15.14)	.790 (20.07)	.5625-.05P-.1L-2A	.625-28	.500 (12.70)	.5625-24
10	.890 (22.61)	.658 (16.71)	.855 (21.72)	.6250-.05P-.1L-2A	.6875-28	.560 (14.22)	.6250-24
11	.960 (24.38)	.718 (18.24)	.925 (23.50)	.6875-.05P-.1L-2A	.7500-28	.605 (15.37)	.6875-24
13	1.078 (27.38)	.845 (21.46)	1.044 (26.52)	.8125-.1P-.2L-2A	.875-28	.650 (16.51)	.6875-24
16	1.264 (32.11)	1.022 (25.96)	1.230 (31.24)	1.000-.1P-.2L-2A	1.0625-20	.805 (20.45)	.9375-20
17	1.325 (33.65)	1.096 (27.84)	1.290 (32.77)	1.062-.1P-.2L-2A	1.125-28	.850 (21.59)	.9375-20
19	1.450 (36.83)	1.227 (31.17)	1.415 (35.94)	1.1875-.1P-.2L-2A	1.2500-28	1.003 (25.48)	1.0625-18
21	1.625 (41.28)	1.347 (34.21)	1.577 (40.06)	1.3125-.1P-.2L-2A	1.375-28	1.110 (28.19)	1.1875-18

NOTES

- See page E-11 for panel cut-out dimensions
- Material / finish:
 - Shell, jam-nut: aluminum alloy or CRES; see How to Order Table
 - Insulator: high grade rigid dielectric / N.A.
 - Interfacial seal, O-rings, grommet: fluorosilicone / N.A.
 - Contact: copper alloy / gold plate per ASTM B 488, Type II, Code C, Class 1.25, over a suitable underplate

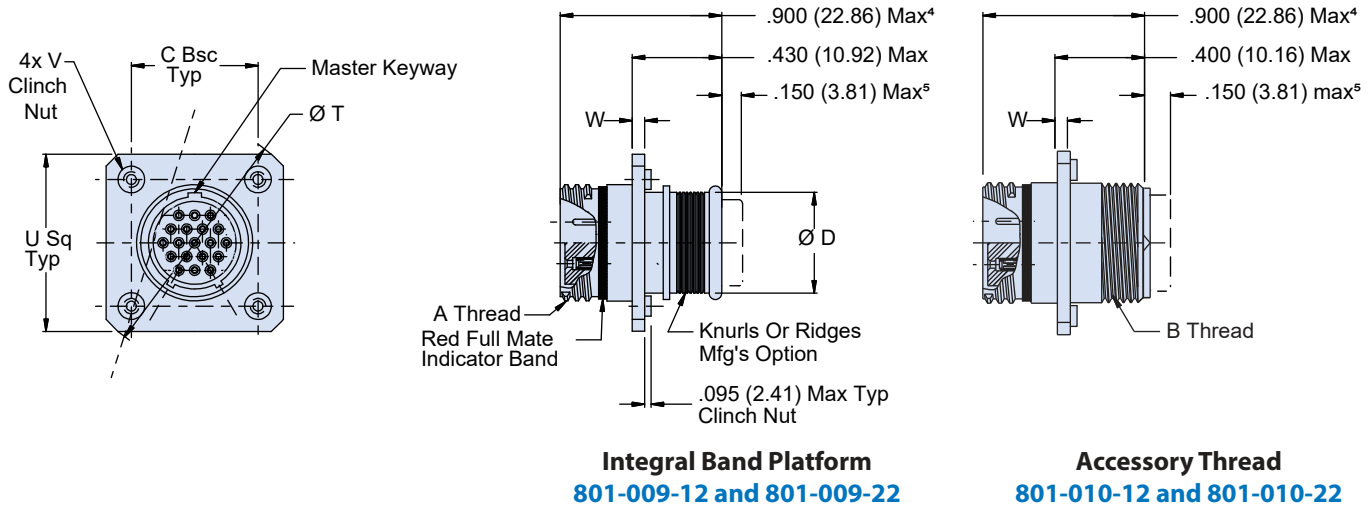


SERIES 801 DOUBLE-START ACME THREAD Mighty Mouse Connectors and Cables



Rear Panel Mount Receptacles with Clinch Nuts and Banding Porch or Accessory Threads

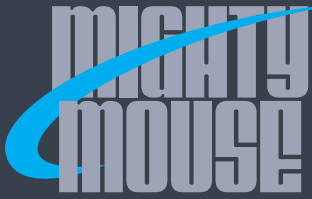
REAR PANEL MOUNT RECEPTACLES - SHELL STYLE 12 (NON-LOCKING CLINCH NUTS) AND 22 (LOCKING CLINCH NUTS)



Dimensions							
Shell Size	A Thread	B Thread	C BSC	Ø T	U SQ	V Clinch Nut	W
5	.3125-.05P-.1L-DS-2A	.2500-32 UNEF-2A	.363 (9.22)	.774 (19.66)	.623 (15.82)	2-56	.030 (0.76)
6	.3750-.05P-.1L-DS-2A	.3125-32 UNEF-2A	.423 (10.74)	.860 (21.84)	.683 (17.35)		
7	.4375-.05P-.1L-DS-2A	.4375-28 UNEF-2A	.483 (12.27)	.944 (23.98)	.743 (18.87)		
8	.5000-.05P-.1L-DS-2A	.5000-28 UNEF-2A	.545 (13.84)	1.032 (26.21)	.805 (20.45)		
9	.5625-.05P-.1L-DS-2A	.5625-24 UNEF-2A	.607 (15.42)	1.180 (29.97)	.927 (23.55)	4-40	.060 (1.52)
10	.6250-.05P-.1L-DS-2A	.6250-24 UNEF-2A	.670 (17.02)	1.268 (32.21)	.990 (25.15)		
11	.6875-.05P-.1L-DS-2A	.6875-24 UNEF-2A	.715 (18.16)	1.331 (33.81)	1.035 (26.29)		
13	.8125-.1P-.2L-DS-2A	.6875-24 UNEF-2A	.812 (20.62)	1.470 (37.34)	1.132 (28.75)		
16	1.0000-.1P-.2L-DS-2A	.9375-20 UNEF-2A	.981 (24.92)	1.708 (43.38)	1.301 (33.05)		
17	1.0625-.1P-.2L-DS-2A	.9375-20 UNEF-2A	1.060 (26.92)	1.822 (46.28)	1.382 (35.10)		
19	1.1875-.1P-.2L-DS-2A	1.0625-18 UNEF-2A	1.191 (30.25)	2.006 (50.95)	1.511 (38.38)		
21	1.3125-.1P-.2L-DS-2A	1.1875-18 UNEF-2A	1.322 (33.58)	2.190 (55.63)	1.642 (41.71)		

NOTES

- See page E-11 for panel cut-out dimensions
- Material / finish:
 - Shell: aluminum alloy or CRES; see How to Order Table
 - Insulator: high grade rigid dielectric / N.A.
 - Interfacial seal, O-rings, grommet: fluorosilicone / N.A.
 - Contact: copper alloy / gold plate per ASTM B 488, Type II, Code C, Class 1.25, over a suitable underplate



SERIES 801 DOUBLE-START ACME THREAD Mighty Mouse Connectors and Cables



Receptacle Connectors with PC Tails or Solder Cups



Environmental, PCB Receptacle 801-011 connectors feature low profile shells for minimum protrusion inside enclosures and integral board standoffs. Contacts are non-removable. Specify 800-011 connectors for applications where open face water immersion is not a requirement.

Water Tight PCB Receptacle 801-033 connectors are identical to 801-011 but are specially sealed ("MOD-518") and 100% tested to maintain a helium leak rate of less than 1×10^{-4} cc/second at one atmosphere pressure differential. Connectors meet MIL-STD-810 Method 512G immersion requirements in unmated/open face condition.

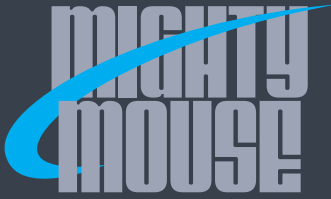
How To Order	
Sample Part Number	801-011 -02 M 6-7 P A
Series	801-011 = Receptacle with Solder Cups or PC Tails, and Standard Epoxy 801-033 = Receptacle with Solder Cups or PC Tails, Meets MIL-STD-810 Method 512G for Water Immersion
Shell Style (See Table I)	-02 = Square Flange, Front or Rear Panel Mount -12 = Square Flange, Rear Panel Mount with Non-Locking Clinch Nuts -22 = Square Flange, Rear Panel Mount with Locking Clinch Nuts -07 = Jam-Nut, Rear Panel Mount
Material and Finish	M = Aluminum / Electroless Nickel MT = Aluminum / Nickel-PTFE NF = Aluminum / Cadmium with Olive Drab Chromate ZNU = Aluminum / Zinc-Nickel with Black Chromate Z1 = Stainless Steel / Passivated
Shell Size - Insert Arrangement	See Contact Arrangements page E-7
Contact Type	E = Pin, Solder Cup P = Pin, PC Tail F = Socket, Solder Cup S = Socket, PC Tail
Polarization (See Table II)	A = Normal B = Pos. B C = Pos. C D = Pos. D E = Pos. E F = Pos. F

NOTES

- Contacts are non removable, the connector is back potted
- For additional insert arrangements consult factory
- Plug mates with all quick coupling high density receptacle connectors with same polarization and opposite contact gender (801-001, 801-002, 801-007, 801-008)
- For all insert arrangements with size #8 contacts, dimension changes to .160"
- For all insert arrangements with size #8 contacts, add .300" to overall length
- See page E-11 for panel cut-out dimensions
- Material / finish:
 - Shell, jam-nut: aluminum alloy or CRES; see How to Order Table
 - Insulator: high grade rigid dielectric / N.A.
 - Interfacial seal, O-rings: fluorosilicone / N.A.
 - Contact: copper alloy / gold plate per ASTM B 488, Type II, Code C, Class 1.25, over a suitable underplate
 - Potting compound: epoxy

Table I: Shell Style	
Style -02, -12, -22 Square Flange	Style -07 Jam-Nut

Table II: Keyway Positions			
	Position	A°	B°
	A	150°	210°
	B	75°	210°
	C	95°	230°
	D	140°	275°
	E	75°	275°
	F	95°	210°



SERIES 801 DOUBLE-START ACME THREAD Mighty Mouse Connectors and Cables

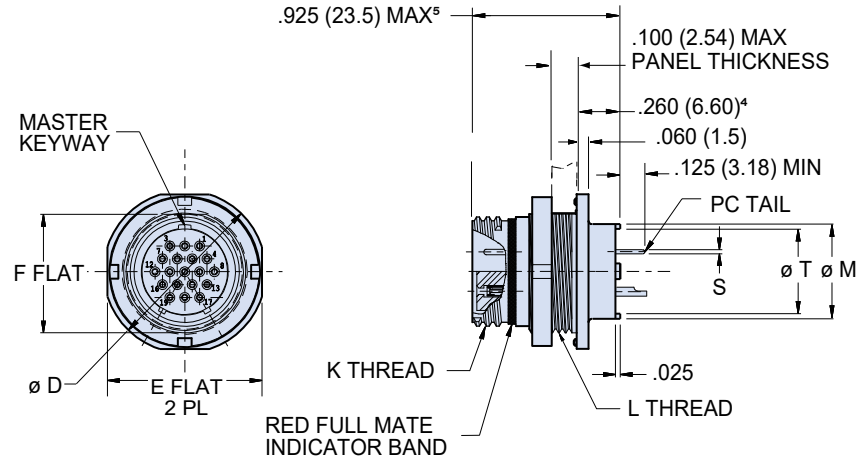


Receptacle Connectors with PC Tails or Solder Cups

JAM-NUT MOUNT RECEPTACLE - SHELL STYLE 07

Jam-Nut
801-011-07

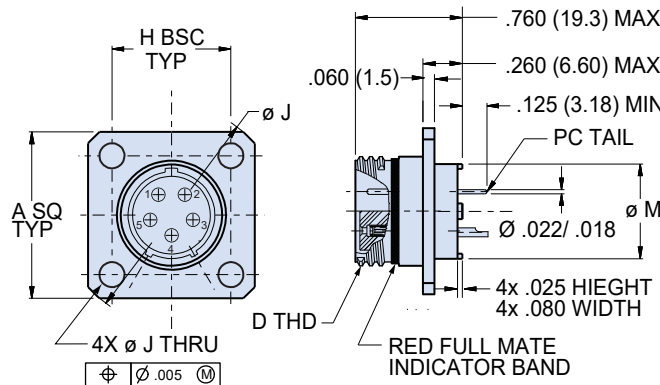
PC Tail Dimensions	
Contact Size	Ø S
#23	Ø .018/.022
#20	Ø .028/.024
#16	Ø .060/.064
#12	Ø .092/.096



SQUARE FLANGE MOUNT RECEPTACLE - SHELL STYLE 02

Square Flange
801-011-02

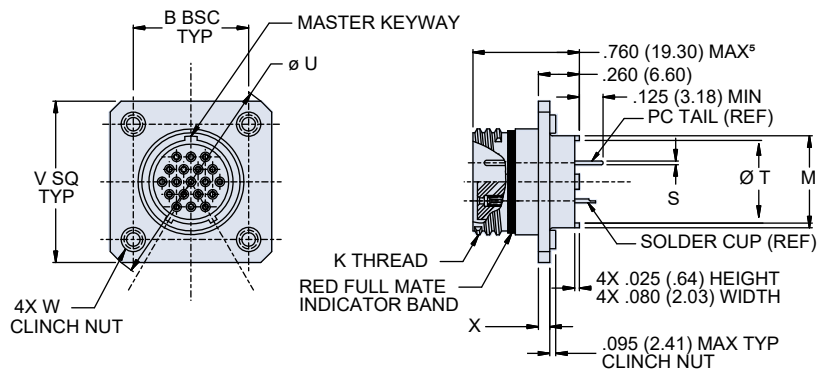
PC Tail Dimensions	
Contact Size	Ø S
#23	Ø .018/.022
#20	Ø .028/.024
#16	Ø .060/.064
#12	Ø .092/.096



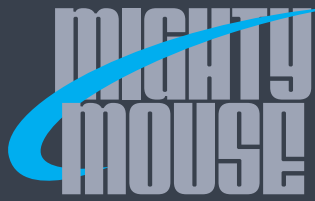
SQUARE FLANGE MOUNT RECEPTACLE - SHELL STYLE 12 (NON-LOCKING CLINCH NUTS) AND 22 (LOCKING CLINCH NUTS)

Square Flange
801-011-12 and -22

PC Tail Dimensions	
Contact Size	Ø S
#23	Ø .018/.022
#20	Ø .028/.024
#16	Ø .060/.064
#12	Ø .092/.096



SERIES 801 DOUBLE-START MATING



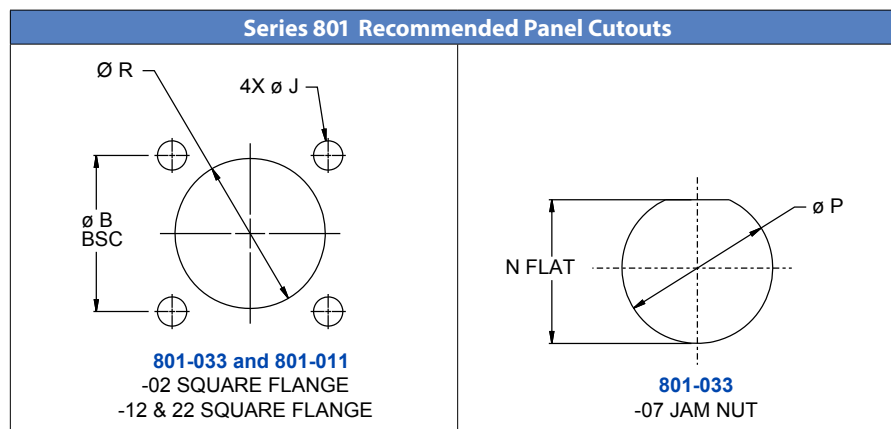
SERIES 801 DOUBLE-START ACME THREAD Mighty Mouse Connectors and Cables



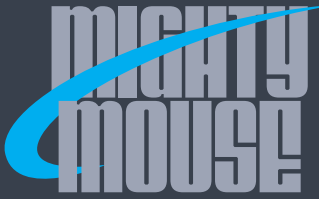
Receptacle Connectors with PC Tails or Solder Cups

Dimensions										
Shell Size	A Sq	B Bsc	Ø C	Ø D	E Flat	F Flat	J Holes	K Thread	L Thread	
5	.530 (13.46)	.363 (9.22)	.680 (17.27)	.575 (14.60)	.545 (13.84)	.350 (8.89)	.096 (2.44)	.3125-.05P-.1L-2A	.3750-28 UN-2A	
6	.590 (14.99)	.423 (1.74)	.750 (19.05)	.635 (16.13)	.595 (15.11)	.410 (1.41)		.3750-.05P-.1L-2A	.4375-28 UNEF-2A	
7	.650 (16.51)	.483 (12.27)	.850 (21.59)	.755 (19.18)	.723 (18.36)	.536 (13.61)	.091 (2.31)	.4375-.05P-.1L-2A	.5625-32 UN-2A	
8	.712 (18.08)	.545 (13.84)	.938 (23.83)	.755 (19.18)	.723 (18.36)	.536 (13.61)		.5000-.05P-.1L-2A	.5625-32 UN-2A	
9	.850 (21.59)	.607 (15.42)	1.125 (28.58)	.830 (21.08)	.790 (2.07)	.596 (15.14)	.130 (3.30)	.5625-.05P-.1L-2A	.6250-28 UN-2A	
10	.890 (22.61)	.670 (17.02)	1.188 (3.18)	.890 (22.61)	.855 (21.72)	.658 (16.71)		.6250-.05P-.1L-2A	.6875-28 UN-2A	
11	.935 (23.75)	.715 (18.16)	1.250 (31.75)	.960 (24.38)	.925 (23.50)	.718 (18.24)		.6875-.05P-.1L-2A	.7500-28 UN-2A	
13	1.030 (26.16)	.812 (2.62)	1.375 (34.92)	1.078 (27.38)	1.044 (26.52)	.845 (21.46)		.8125-.1P-.2L-2A	.8750-28 UN-2A	
16	1.219 (3.96)	.981 (24.92)	1.625 (41.28)	1.265 (32.13)	1.230 (31.24)	1.022 (25.96)		.126 (3.11)	1.0000-.1P-.2L-2A	1.0625-20 UN-2A
17	1.280 (32.51)	1.060 (26.92)	1.700 (43.18)	1.325 (33.65)	1.290 (32.77)	1.096 (27.84)			1.0625-.1P-.2L-2A	1.1250-28 UN-2A
19	1.432 (36.37)	1.191 (3.25)	1.900 (48.26)	1.450 (36.83)	1.415 (35.94)	1.225 (31.12)	1.1875-.1P-.2L-2A		1.2500-28 UN-2A	
21	1.565 (39.75)	1.322 (33.58)	2.100 (53.34)	1.625 (41.28)	1.577 (4.06)	1.345 (34.16)	1.3125-.1P-.2L-2A	1.3750-28 UN-2A		

Dimensions (Continued)										
Shell Size	L Thread	Ø M	Ø T	N Flat ± .002 (0.05)	Ø P +.005 (+.13) -.000 (-.00)	Ø R ±.005 (.13)	Ø U	V Sq	W Clinch Nuts	X
5	.3750-28 UN-2A	.244 (6.20)	.175 (4.44)	.356 (9.04)	.380 (9.65)	.328 (8.33)	.774 (19.66)	.623 (15.82)	2-56	.030 (.76)
6	.4375-28 UNEF-2A	.330 (8.38)	.238 (6.05)	.416 (10.57)	.443 (11.25)	.390 (9.91)	.860 (21.84)	.683 (17.35)		
7	.5625-32 UN-2A	.432 (10.97)	.327 (8.31)	.542 (13.77)	.567 (14.40)	.453 (11.51)	.944 (23.98)	.743 (18.87)		
8	.5625-32 UN-2A	.493 (12.52)	.388 (9.86)	.542 (13.77)	.567 (14.40)	.515 (13.08)	1.032 (26.21)	.805 (20.45)		
9	.6250-28 UN-2A	.551 (14.00)	.446 (11.33)	.602 (15.29)	.630 (16.00)	.578 (14.68)	1.180 (29.97)	.927 (23.55)	4-40	.060 (1.52)
10	.6875-28 UN-2A	.620 (15.75)	.516 (13.11)	.666 (16.92)	.693 (17.60)	.640 (16.26)	1.268 (32.21)	.990 (25.15)		
11	.7500-28 UN-2A	.662 (16.81)	.557 (14.15)	.730 (18.54)	.755 (19.18)	.703 (17.86)	1.331 (33.81)	1.035 (26.29)		
13	.8750-28 UN-2A	.703 (17.86)	.599 (15.21)	.851 (21.62)	.880 (22.35)	.828 (21.03)	1.470 (37.34)	1.132 (28.75)		
16	1.0625-20 UN-2A	.863 (21.92)	.759 (19.28)	1.028 (26.11)	1.067 (27.10)	1.015 (25.78)	1.708 (43.38)	1.301 (33.05)		
17	1.1250-28 UN-2A	.912 (23.16)	.808 (20.52)	1.102 (27.99)	1.130 (28.70)	1.078 (27.38)	1.822 (46.28)	1.382 (35.10)		
19	1.2500-28 UN-2A	1.018 (25.86)	.910 (23.11)	1.243 (31.57)	1.255 (31.88)	1.203 (30.56)	2.006 (50.95)	1.511 (38.38)		
21	1.3750-28 UN-2A	1.170 (29.72)	1.061 (26.95)	1.354 (34.39)	1.380 (35.05)	1.328 (33.73)	2.190 (55.63)	1.642 (41.71)		



SERIES 801 DOUBLE-START MATING



SERIES 801 DOUBLE-START ACME THREAD Mighty Mouse Connectors and Cables



PCB Receptacle with PC Tail Contacts and Ground Pins



Series 801 PC Tail Receptacle with Ground Pins

Ground pins are pressed into the shell body to provide a direct grounding path from the connector shell to the PCB board creating a common ground path for the connector, the panel it is mounted against and printed circuit board. Modified double-start stub ACME mating thread for improved protection against cross-mating and thread damage. Two shell styles — jam-nut or square flange, available. PC tail contacts for attachment to flex or rigid circuit boards.

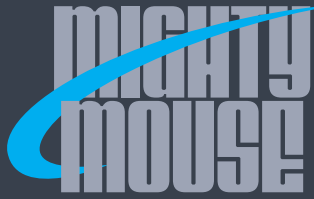
How To Order	
Sample Part Number	801-052 -07 M 6-7 P A
Series	801-052 = Box Mount PCB Receptacle with Threaded Standoffs
Shell Style	-02 = Square Flange Receptacle, Front or Rear Panel Mount -07 = Jam-Nut, Rear Panel Mount
Material and Finish	C = Black Anodize M = Aluminum / Electroless Nickel NF = Aluminum / Cadmium with Olive Drab Chromate ZN = Aluminum / Zinc-Nickel Olive Drab over Electroless Nickel
Shell Size - Insert Arrangement	See Contact Arrangements page E-7
Contact Type	P = Pin, PC Tail S = Socket, PC Tail
Polarization (See Table I)	A = Normal B = Pos. B C = Pos. C D = Pos. D E = Pos. E F = Pos. F

Table I: Keyway Positions

Position	A°	B°
A	150°	210°
B	75°	210°
C	95°	230°
D	140°	275°
E	75°	275°
F	95°	210°

NOTES

1. Contacts are non removable, the connector is back potted
2. This receptacle connector mates with all quick coupling high density plug connectors with same polarization and opposite contact gender (801-01, 801-002, 801-007, and 801-008)
3. See page E-11 for panel cut-out dimensions
4. Material / finish:
 - Shell, jam-nut: aluminum alloy
 - Insulator: high-grade rigid dielectric.
 - Interfacial seal, O-ring: fluorosilicone / N.A.
 - Contact, ground pins: copper alloy / gold plate per ASTM B 488, Type II, Code C, Class 1.25 (.00005 minimum thickness), over a suitable underplate
 - Potting compound: epoxy / N.A.

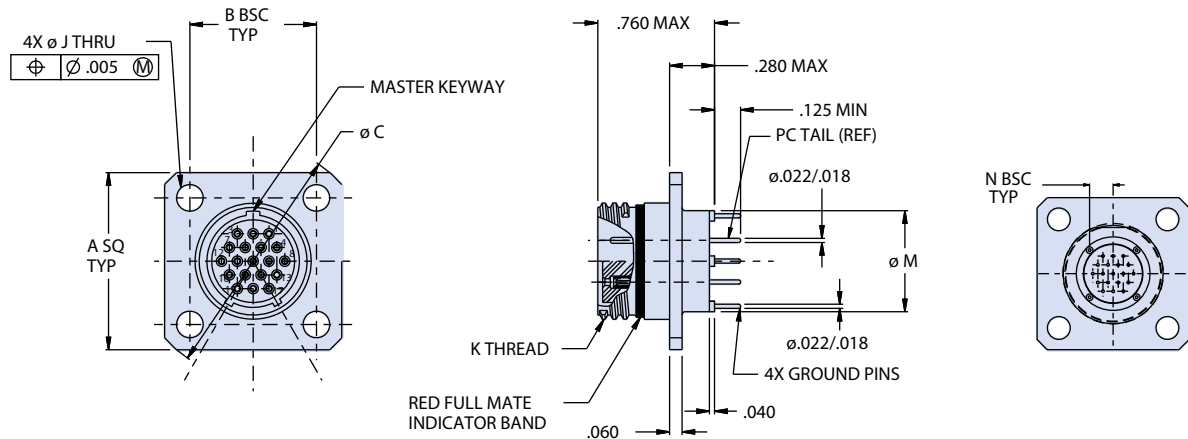


SERIES 801 DOUBLE-START ACME THREAD Mighty Mouse Connectors and Cables



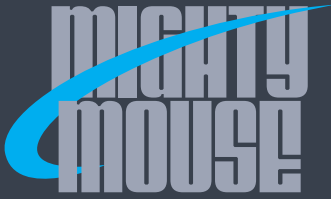
PCB Receptacle with PC Tail Contacts and Ground Pins

801-052-02 WALL MOUNT RECEPTACLE - SHELL STYLE 02



Dimensions							
SHELL SIZE	A SQ	B BSC	ϕC	ϕD	J HOLES	K THREAD	L THREAD
5	0.530 (13.46)	0.363 (9.22)	0.680 (17.27)	0.575 (14.60)	0.096 0.091	.3125-.05P-.1L-2A	.3750-28 UN-2A
6	0.590 (14.99)	0.423 (10.74)	0.750 (19.05)	0.635 (16.13)		.3750-.05P-.1L-2A	.4375-28 UNEF-2A
7	0.650 (16.51)	0.483 (12.27)	0.850 (21.59)	0.755 (19.18)		.4375-.05P-.1L-2A	.5625-32 UN-2A
8	0.712 (18.08)	0.545 (13.84)	0.938 (23.83)	0.755 (19.18)		.5000-.05P-.1L-2A	.5625-32 UN-2A
9	0.850 (21.59)	0.607 (15.42)	1.125 (28.58)	0.830 (21.08)	0.130 0.126	.5625-.05P-.1L-2A	.6250-28 UN-2A
10	0.890 (22.61)	0.670 (17.02)	1.188 (30.18)	0.890 (22.61)		.6250-.05P-.1L-2A	.6875-28 UN-2A
11	0.935 (23.75)	0.715 (18.16)	1.250 (31.75)	0.960 (24.38)		.6875-.05P-.1L-2A	.7500-28 UN-2A
13	1.030 (26.16)	0.812 (20.62)	1.375 (34.92)	1.078 (27.38)		.8125-.1P-.2L-2A	.8750-28 UN-2A
16	1.219 (30.96)	0.981 (24.92)	1.625 (41.28)	1.265 (32.13)		1.0000-.1P-.2L-2A	1.0625-20 UN-2A
17	1.280 (32.51)	1.060 (26.92)	1.700 (43.18)	1.325 (33.65)		1.0625-.1P-.2L-2A	1.1250-28 UN-2A
19	1.432 (36.37)	1.191 (30.25)	1.900 (48.26)	1.450 (36.83)		1.1875-.1P-.2L-2A	1.2500-28 UN-2A
21	1.565 (39.75)	1.322 (33.58)	2.100 (53.34)	1.625 (41.28)		1.3125-.1P-.2L-2A	1.3750-28 UN-2A

SERIES 801 DOUBLE-START MATING

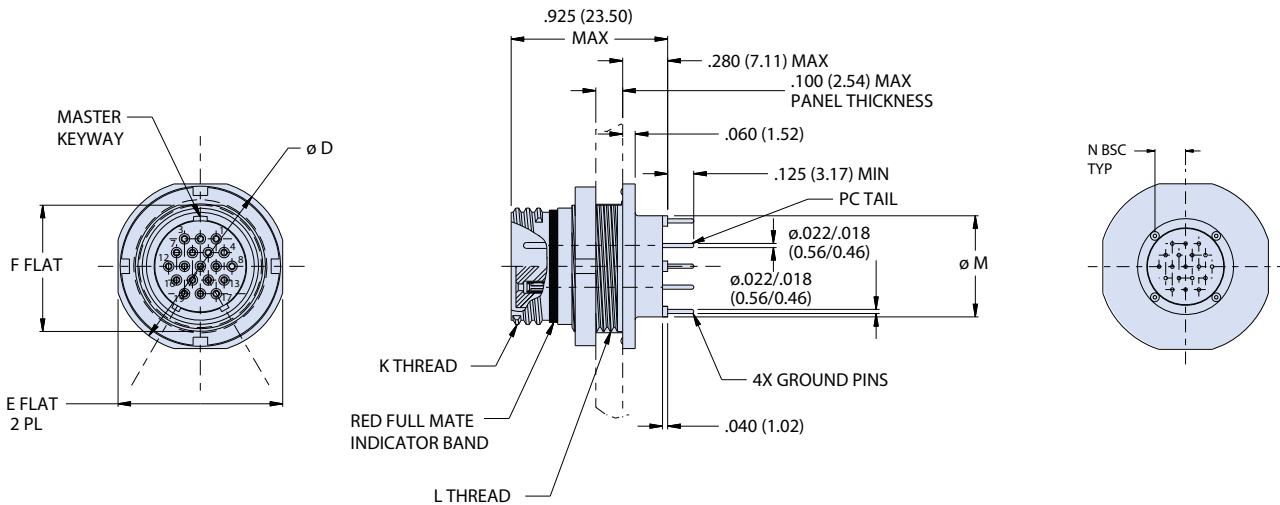


SERIES 801 DOUBLE-START ACME THREAD Mighty Mouse Connectors and Cables



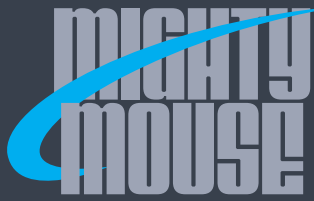
PCB Receptacle with PC Tail Contacts and Ground Pins

801-052-07 JAM-NUT MOUNT RECEPTACLE - SHELL STYLE 07



Dimensions							
SHELL SIZE	ø D	E FLAT	F FLAT	K THREAD	L THREAD	ø M	N BSC
5	0.575 (14.60)	0.545 (13.84)	0.350 (8.89)	.3125-.05P-.1L-2A	.3750-28 UN-2A	0.320 (8.13)	0.087 (2.21)
6	0.635 (16.13)	0.595 (15.11)	0.410 (10.41)	.3750-.05P-.1L-2A	.4375-28 UNEF-2A	0.380 (9.65)	0.109 (2.77)
7	0.755 (19.18)	0.723 (18.36)	0.536 (13.61)	.4375-.05P-.1L-2A	.5625-32 UN-2A	0.510 (12.95)	0.147 (3.73)
8	0.755 (19.18)	0.723 (18.36)	0.536 (13.61)	.5000-.05P-.1L-2A	.5625-32 UN-2A	0.510 (12.95)	0.158 (4.01)
9	0.830 (21.08)	0.790 (20.07)	0.596 (15.14)	.5625-.05P-.1L-2A	.6250-28 UN-2A	0.570 (14.48)	0.179 (4.55)
10	0.890 (22.61)	0.855 (21.72)	0.658 (16.71)	.6250-.05P-.1L-2A	.6875-28 UN-2A	0.630 (16.00)	0.202 (5.13)
11	0.960 (24.38)	0.925 (23.50)	0.718 (18.24)	.6875-.05P-.1L-2A	.7500-28 UN-2A	0.700 (17.78)	0.222 (5.64)
13	1.078 (27.38)	1.044 (26.52)	0.845 (21.46)	.8125-.1P-.2L-2A	.8750-28 UN-2A	0.820 (20.83)	0.250 (6.35)
16	1.265 (32.13)	1.230 (31.24)	1.022 (25.96)	1.0000-.1P-.2L-2A	1.0625-20 UN-2A	0.990 (25.15)	0.309 (7.85)
17	1.325 (33.65)	1.290 (32.77)	1.096 (27.84)	1.0625-.1P-.2L-2A	1.1250-28 UN-2A	1.070 (27.18)	0.331 (8.41)
19	1.450 (36.83)	1.415 (35.94)	1.225 (31.12)	1.1875-.1P-.2L-2A	1.2500-28 UN-2A	1.182 (30.02)	0.370 (9.40)
21	1.625 (41.28)	1.625 (41.28)	1.345 (34.16)	1.3125-.1P-.2L-2A	1.3750-28 UN-2A	1.327 (33.71)	0.421 (10.69)

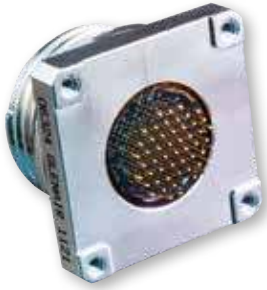
SERIES 801 DOUBLE-START MATING



SERIES 801 DOUBLE-START ACME THREAD Mighty Mouse Connectors and Cables



Jam-Nut Mount, PCB Receptacle with PC Tail Contacts and Threaded Standoffs



Rear Panel Mount, Jam-Nut Receptacle connectors offer military grade performance in a small, lightweight package. Features a double-start modified stub ACME mating thread for improved protection against cross-mating and thread damage. Aluminum or stainless steel, board mount receptacle for attachment to rigid PC boards. PCB receptacle with integral standoffs for PC board washout come threaded with #2-56 stainless steel heli-coils. Gold-plated copper alloy PC tail contacts are factory installed and potted with epoxy. Contacts are parylene compatible and non-removable.

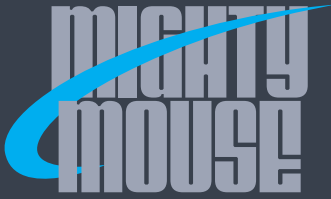
How To Order	
Sample Part Number	801-075 -07 M 6-7 P A
Series	801-075 = Box Mount PCB Receptacle with Threaded Standoffs
Shell Style	-07 = Jam-Nut, Rear Panel Mount
Material and Finish	M = Aluminum / Electroless Nickel MT = Aluminum / Nickel-PTFE NF = Aluminum / Cadmium with Olive Drab Chromate ZNU = Aluminum / Zinc-Nickel with Black Chromate Z1 = Stainless Steel / Passivated
Shell Size - Insert Arrangement	See Contact Arrangements page E-7
Contact Type	P = Pin, PC Tail S = Socket, PC Tail
Polarization (See Table I)	A = Normal B = Pos. B C = Pos. C D = Pos. D E = Pos. E F = Pos. F

Table I: Keyway Positions

Position	A°	B°
A	150°	210°
B	75°	210°
C	95°	230°
D	140°	275°
E	75°	275°
F	95°	210°

NOTES

1. Contacts are non removable, the connector is back potted
2. This receptacle connector mates with all quick coupling high density plug connectors with same polarization and opposite contact gender (801-01, 801-002, 801-007, and 801-008)
3. See page E-11 for panel cut-out dimensions
4. Material / finish:
 - Shell, jam-nut: aluminum alloy or CRES
 - Insulator: High Grade Rigid Dielectric / N.A.
 - Interfacial seal, O-ring, peripheral seal: fluorosilicone / N.A.
 - Contact: copper alloy / gold plate per ASTM B 488, Type II, Code C, Class 1.25 (.00005 minimum thickness), over a suitable underplate
 - Potting compound: epoxy / N.A.



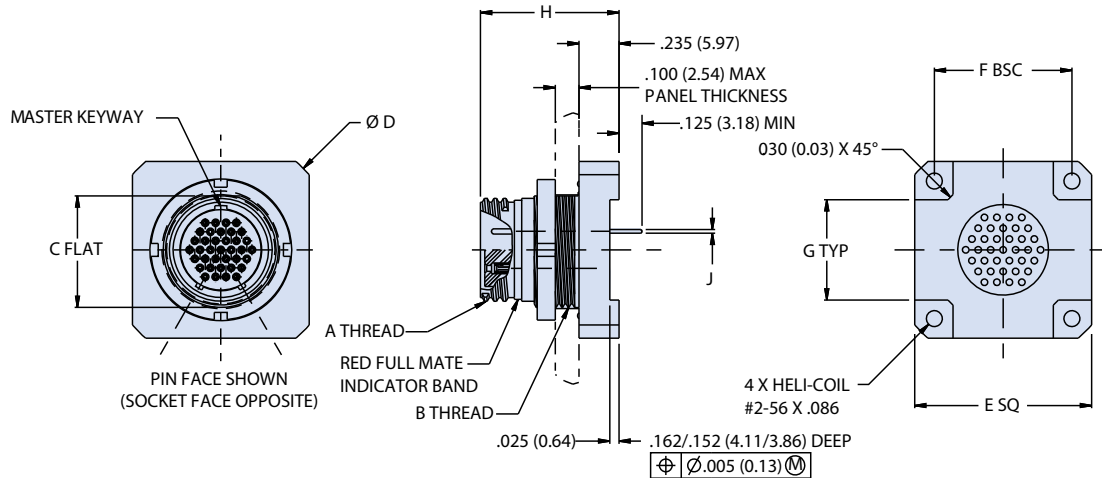
SERIES 801 DOUBLE-START ACME THREAD Mighty Mouse Connectors and Cables



Jam-Nut Mount, PCB Receptacle with PC Tail Contacts and Threaded Standoffs

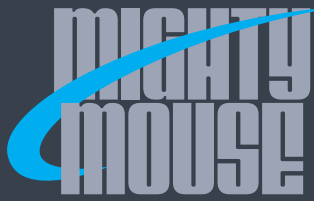
JAM-NUT PCB RECEPTACLE WITH THREADED HELI-COIL STANDOFF - SHELL STYLE 07

PC Tail Dimensions	
Contact Size	Ø J
#23	Ø .018/.022
#20	Ø .028/.024
#16	Ø .060/.064
#12	Ø .092/.096



Dimensions								
Shell Size	A Thread	B Thread	C Flat	Ø D	E SQ	F BSC	G Typ	H
5	.3125-.05P-.1L-2A	.3750-28 UN-2A	.348 (8.84)	.720 (18.29)	.545 (13.84)	.363 (9.22)	.143 (3.63)	.772 (19.61)
6	.375-.05P-.1L-2A	.4375-28 UNEF-2A	.408 (10.36)	.800 (20.32)	.595 (15.11)	.423 (10.74)	.203 (5.16)	.772 (19.61)
7	.4375-.05P-1L2A	.5625-32 UN-2A	.534 (13.56)	.900 (22.86)	.723 (18.36)	.483 (12.27)	.263 (6.68)	.772 (19.61)
8	.5000-.05P-1L-2A	.5625-32 UN-2A	.534 (13.56)	.980 (24.89)	.723 (18.36)	.545 (13.84)	.325 (8.25)	.772 (19.61)
9	.5625-.05P-.1L-2A	.6250-28 UN-2A	.594 (15.09)	1.080 (27.43)	.790 (20.07)	.607 (15.42)	.387 (9.83)	.772 (19.61)
10	.6250-.05P-1L-2A	.6875-28 UN-2A	.656 (16.66)	1.160 (29.46)	.855 (21.72)	.670 (17.02)	.450 (11.43)	.772 (19.61)
11	.6875-.05P-1L-2A	.7500-28 UN-2A	.716 (18.19)	1.220 (30.99)	.925 (23.50)	.715 (18.16)	.495 (12.57)	.772 (19.61)
13	.8125-.1P-.2L-2A	.8750-28 UN-2A	.843 (21.41)	1.370 (34.80)	1.044 (26.52)	.812 (20.62)	.592 (15.04)	.881 (22.38)
16	1.0000-.1P-.2L-2A	1.0625-20 UN-2A	1.020 (25.91)	1.620 (41.15)	1.230 (31.24)	.981 (24.92)	.751 (19.08)	.881 (22.38)
17	1.0625-.1P-.2L-2A	1.1250-28 UN-2A	1.094 (27.79)	1.720 (43.69)	1.290 (32.77)	1.060 (26.92)	.840 (21.34)	.881 (22.38)
19	1.1875-.1P-.2L-2A	1.2500-28 UN-2A	1.225 (31.12)	1.920 (48.77)	1.415 (35.94)	1.191 (30.25)	.971 (24.66)	.881 (22.38)
21	1.3125-.1p-.2l-2a	1.3750-28 UN-2A	1.345 (34.16)	2.100 (53.34)	1.577 (40.06)	1.322 (33.58)	1.102 (27.99)	.881 (22.38)

SERIES 801 DOUBLE-START MATING



PCB Receptacles with Size #12 Twinax and Combo PC Tail Contact Arrangements

Twinax PC Tail Receptacles

Features a double-start modified stub ACME mating thread for improved protection against cross-mating and thread damage. Mounting options include rear panel mount square flange connector and rear panel mount jam-nut connector. Style 02, square flange connector can also be mounted front or rear depending on your application.

6 shell sizes available in 17 insert arrangements including 8 size #12 twinax contact arrangements or 9 combo arrangements with size #12 twinax and #23 contacts. Connectors are environmentally sealed. Contacts are non-removable and back potted.

How To Order	
Sample Part Number	801-123 -07 M 7-1 P A
Series	801-123 = Twinax PC Tail Receptacle
Shell Style	-02 = Square Flange, Front or Rear Panel Mount -12 = Square Flange, Rear Panel Mount with Non-Locking Clinch Nuts -22 = Square Flange, Rear Panel Mount with Locking Clinch Nuts -07 = Jam-Nut, Rear Panel Mount
Material and Finish	C = Aluminum / Black Anodize (Non-Conductive) M = Aluminum / Electroless Nickel MT = Aluminum / Nickel-PTFE NF = Aluminum / Cadmium with Olive Drab Chromate ZNU = Aluminum / Zinc-Nickel with Black Chromate Z1 = Stainless Steel / Passivated
Shell Size - Insert Arrangement	7-1, 10-2, 13-2, 13-3, 16-4, 16-5, 17-7, 21-12, 10-200, 10-201, 13-200, 13-201, 13-204, 13-205, 16-206, 16-207, 17-204 See Contact Arrangements page E-7
Contact Type	P = Pin, PC Tail S = Socket, PC Tail
Polarization (See Table I)	A = Normal B = Pos. B C = Pos. C D = Pos. D E = Pos. E F = Pos. F

Table I: Keyway Positions

Position	A°	B°
A	150°	210°
B	75°	210°
C	95°	230°
D	140°	275°
E	75°	275°
F	95°	210°

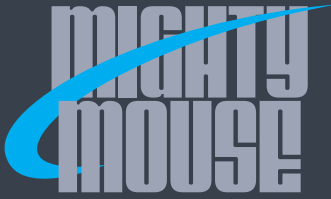
Table I: Shell Style

Style -02, -12, -22 Square Flange	Style -07 Jam-Nut
--------------------------------------	----------------------

NOTES

1. Contacts are non-removable and back potted
2. Connector mates with all 801 series high-density plug connectors with same size, insert arrangement, polarization, and opposite contact gender

3. Connector is environmentally sealed to meet a helium leak detection level less than 10⁻⁴ CC/SEC at one atmosphere Delta P
4. See page E-11 for panel cut-out dimensions
5. Material / finish:
 - Shell, jam-nut: aluminum alloy or CRES
 - Insulator: high grade rigid dielectric
 - Interfacial seal, O-ring: fluorosilicone/N.A.
 - Contact: copper alloy / gold plate per ASTM B 488, Type II, Code C, Class 1.25 (.00005 minimum thickness), over a suitable underplate
 - Potting compound: RTV

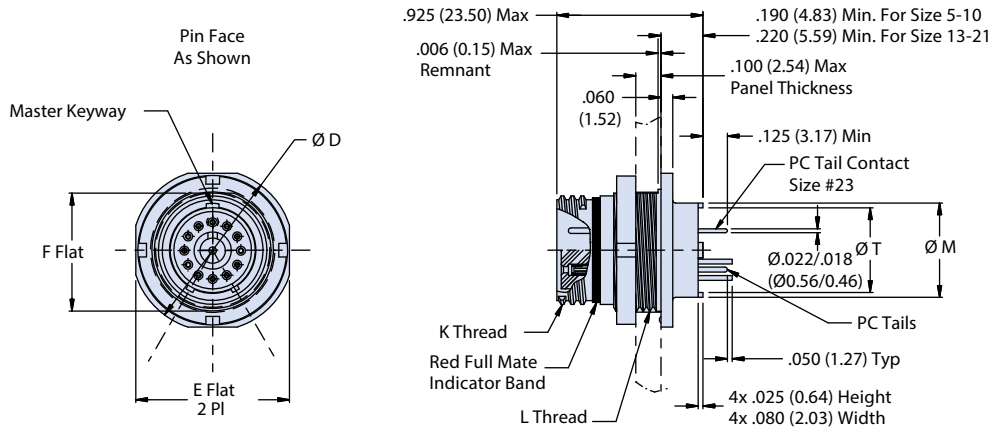


SERIES 801 DOUBLE-START ACME THREAD Mighty Mouse Connectors and Cables

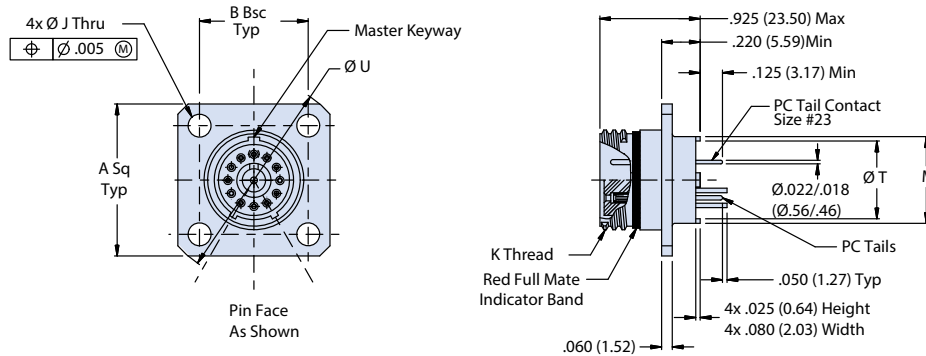


PCB Receptacles with Size #12 Twinax and Combo Contact Arrangements

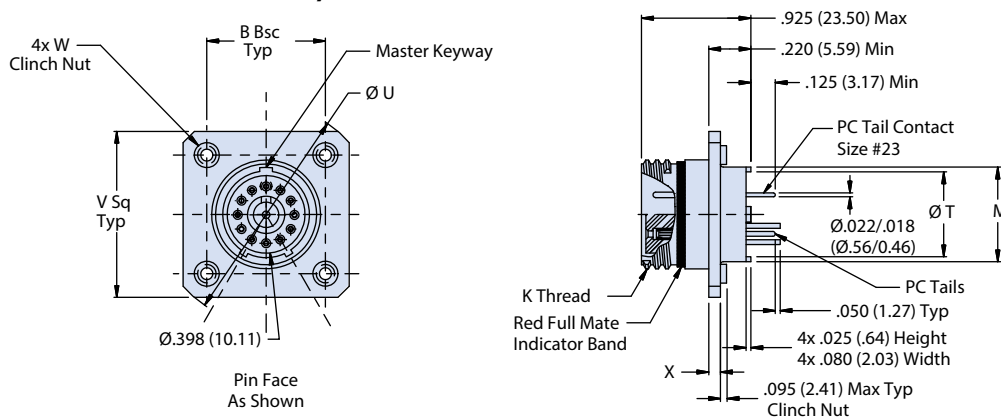
JAM-NUT MOUNT RECEPTACLE - SHELL STYLE 07



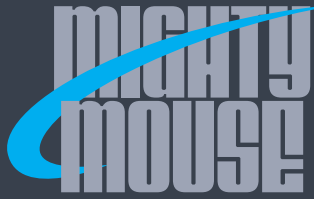
SQUARE FLANGE MOUNT RECEPTACLE - SHELL STYLE 02



SQUARE FLANGE MOUNT RECEPTACLE - SHELL STYLE 12 (NON-LOCKING CLINCH NUTS) AND 22 (LOCKING CLINCH NUTS)



SERIES 801 DOUBLE-START MATING

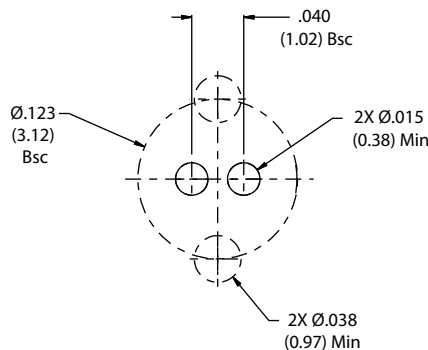


PCB Receptacles with Size #12 Twinax and Combo Contact Arrangements

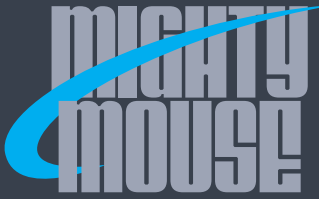
Dimensions											
Shell Size	A Sq	B BSC	Ø C	Ø D	E Flat	F Flat	J Holes	K Thread	L Thread	Ø M	Ø T
7	0.650 (16.51)	0.483 (12.27)	0.850 (21.59)	0.755 (19.18)	0.723 (18.36)	0.536 (13.61)	.096 (2.44) .091 (2.31)	.4375-.05P-.1L-2A	.5625-32 UN-2A	0.432 (10.97)	0.327 (8.31)
10	0.890 (22.61)	0.670 (17.02)	1.188 (30.18)	0.890 (22.61)	0.855 (21.72)	0.658 (16.71)	0.130 (3.30) 0.126 (3.20)	.6250-.05P-.1L-2A	.6875-28 UN-2A	0.620 (15.75)	0.516 (13.11)
13	1.030 (26.16)	0.812 (20.62)	1.375 (34.92)	1.078 (27.38)	1.044 (26.52)	0.845 (21.46)		.8125-.1P-.2L-2A	.8750-28 UN-2A	0.703 (17.86)	0.599 (15.21)
16	1.219 (30.96)	0.981 (24.92)	1.625 (41.28)	1.265 (32.13)	1.230 (31.24)	1.022 (25.96)		1.0000-.1P-.2L-2A	1.0625-20 UN-2A	0.863 (21.92)	0.759 (19.28)
17	1.280 (32.51)	1.060 (26.92)	1.700 (43.18)	1.325 (33.65)	1.290 (32.77)	1.096 (27.84)		1.0625-.1P-.2L-2A	1.1250-28 UN-2A	0.912 (23.16)	0.808 (20.52)
21	1.565 (39.75)	1.322 (33.58)	2.100 (53.34)	1.625 (41.28)	1.577 (40.06)	1.345 (34.16)		1.3125-.1P-.2L-2A	1.3750-28 UN-2A	1.170 (29.72)	1.061 (26.95)

Dimensions (continued)				
Shell Size	Ø U	V SQ	W Clinch Nuts	X
7	0.944 (23.98)	0.743 (18.87)	2-56	0.030 (0.76)
10	1.268 (32.21)	0.990 (25.15)	4-40	0.060 (1.52)
13	1.470 (37.34)	1.132 (28.75)		
16	1.708 (43.38)	1.301 (33.05)		
17	1.822 (46.28)	1.382 (35.10)		
21	2.190 (55.63)	1.642 (41.71)		

#12 TwinAx PCB Footprint Detail



SERIES 801 DOUBLE-START MATING



SERIES 801 DOUBLE-START ACME THREAD Mighty Mouse Connectors and Cables



Jam-nut Mount, Right Angle PC Tail Receptacle



Right Angle Printed Circuit Board Receptacle Feature a double-start modified stub ACME mating thread for improved protection against cross-mating and thread damage. High temperature thermoplastic housing withstands soldering temperatures while reducing weight. Stainless steel threaded inserts simplify attachment to printed circuit board.

- Double-Start ACME Thread
- Right Angle PCB Receptacle
- High Temperature Housing
- Threaded Inserts
- Environmentally Sealed

How To Order	
Sample Part Number	801-023 -07 M 7-10 P A
Series	801-023 = PCB Right Angle Header Receptacle
Shell Style	-07 = Jam-Nut, Rear Panel Mount
Material and Finish	C = Aluminum / Black Anodize (Non-Conductive) M = Aluminum / Electroless Nickel MT = Aluminum / Nickel-PTFE NF = Aluminum / Cadmium with Olive Drab Chromate ZNU = Aluminum / Zinc-Nickel with Black Chromate Z1 = Stainless Steel / Passivated
Shell Size - Insert Arrangement	5-3, 6-1, 6-23, 6-4, 6-6, 6-7, 7-1, 7-25, 7-10, 8-2, 8-28, 8-13, 9-4, 9-210, 9-19, 9-200, 10-2, 10-5, 10-201
Contact Type	P = Pin S = Socket
Polarization (See Table I)	A = Normal B = Pos. B C = Pos. C D = Pos. D E = Pos. E F = Pos. F

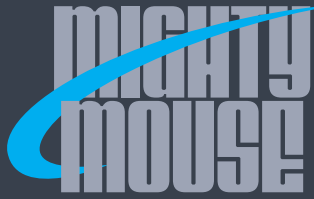
NOTES

1. Torque 2-56 screws to 20-25 in/oz with Loc-Tite recommended
2. For shell sizes 5-8, 2-56 start of thread is .100 +.000/-.050 below surface and mounting hole depth is .300
For Shell sizes 9 & 10, 2-56 start of thread is .150 and mounting hole depth is .350
3. Master keyway is located at top dead center for all arrangements except for the 8-13, which is 90° counter clockwise from top center.
4. See page E-11 for panel cut-out dimensions
5. Material / finish:
 - Shell, jam-nut: aluminum alloy or CRES
 - Insulator: High Grade Rigid Dielectric
 - Interfacial seal, O-ring: fluorosilicone/N.A.
 - Contact: copper alloy / gold plate per ASTM B 488, Type II, Code C, Class 1.25 (.00005 minimum thickness), over a suitable underplate
 - Potting: epoxy

Table I: Keyway Positions

Position	A°	B°
A	150°	210°
B	75°	210°
C	95°	230°
D	140°	275°
E	75°	275°
F	95°	210°

SERIES 801 DOUBLE-START MATING

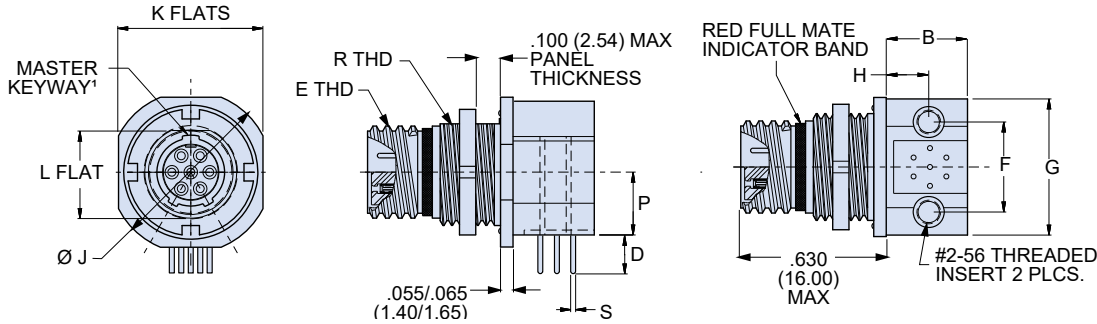


SERIES 801 DOUBLE-START ACME THREAD Mighty Mouse Connectors and Cables

Jam-nut Mount, Right Angle PC Tail Receptacle



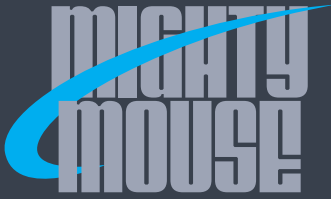
JAM-NUT, REAR PANEL MOUNT - SHELL STYLE 07



PC Tail Dimensions	
Contact Size	Ø S
#23	Ø .018/.022
#20	Ø .028/.024
#16	Ø .060/.064
#12	Ø .092/.096

Dimensions											
Shell Size	B	D ±.035	E Thread	F	G	H	Ø J	K Flat	L Flat	P	R Thread
5-3	.260 (6.60)	.275 (6.99)	.3125-.05P-.1L-DS- 2A	.310 (7.87)	.490 (12.45)	.165 (4.19)	.580 (14.73)	.545 (13.84)	.355 (9.02) .346 (8.79)	.225 (5.72)	.375-28 UN-2A
6-1	.345 (8.76)	.292 (7.42)	.3750-.05P-.1L-DS- 2A	.385 (9.78)	.589 (14.96)	.224 (5.69)	.635 (16.13)	.602 (15.29)	.415 (10.54) .406 (10.31)	.225 (5.72)	.4375-28 UNEF-2A
6-23	.345 (8.76)	.305 (7.75)	.3750-.05P-.1L-DS- 2A	.385 (9.78)	.589 (14.96)	.224 (5.69)	.635 (16.13)	.602 (15.29)	.415 (10.54) .406 (10.31)	.225 (5.72)	.4375-28 UNEF-2A
6-4	.345 (8.76)	.292 (7.42)	.3750-.05P-.1L-DS-2A	.385 (9.78)	.589 (14.96)	.224 (5.69)	.635 (16.13)	.602 (15.29)	.415 (10.54) .406 (10.31)	.225 (5.72)	.4375-28 UNEF-2A
6-6, 6-7	.345 (8.76)	.265 (6.73)	.3750-.05P-.1L-DS-2A	.408 (10.36)	.589 (14.96)	.187 (4.75)	.635 (16.13)	.602 (15.29)	.415 (10.54) .406 (10.31)	.225 (5.72)	.4375-28 UNEF-2A
7-1	.345 (8.76)	.273 (6.93)	.4375-.05P-.1L-DS- 2A	.452 (11.48)	.710 (18.03)	.170 (4.32)	.755 (19.18)	.723 (18.36)	.539 (13.69) .530 (13.46)	.296 (7.52)	.5625-32 UN-2A
7-25	.345 (8.76)	.266 (6.76)	.4375-.05P-.1L-DS- 2A	.452 (11.48)	.710 (18.03)	.170 (4.32)	.755 (19.18)	.723 (18.36)	.539 (13.69) .530 (13.46)	.296 (7.52)	.5625-32 UN-2A
7-10	.345 (8.76)	.273 (6.93)	.4375-.05P-.1L-DS-2A	.452 (11.48)	.710 (18.03)	.170 (4.32)	.755 (19.18)	.723 (18.36)	.539 (13.69) .530 (13.46)	.296 (7.52)	.5625-32 UN-2A
8-2	.490 (12.45)	.305 (7.75)	.5000-.05P-.1L-DS- 2A	.490 (12.45)	.710 (18.03)	.230 (5.84)	.755 (19.18)	.723 (18.36)	.539 (13.69) .530 (13.46)	.320 (8.13)	.5625-32 UN-2A
8-28	.490 (12.45)	.289 (7.34)	.5000-.05P-.1L-DS- 2A	.490 (12.45)	.710 (18.03)	.230 (5.84)	.755 (19.18)	.723 (18.36)	.539 (13.69) .530 (13.46)	.320 (8.13)	.5625-32 UN-2A
8-13	.490 (12.45)	.305 (7.75)	.5000-.05P-.1L-DS-2A	.490 (12.45)	.710 (18.03)	.230 (5.84)	.755 (19.18)	.723 (18.36)	.539 (13.69) .530 (13.46)	.320 (8.13)	.5625-32 UN-2A
9-4	.490 (12.45)	.240 (6.10)	.5625-.05P-.1L-DS- 2A	.600 (15.24)	.800 (20.32)	.342 (8.69)	.830 (21.08)	.790 (20.07)	.601 (15.27) .592 (15.04)	.362 (9.19)	.6250-28 UN-2A
9-210	.490 (12.45)	.245 (6.22)	.5625-.05P-.1L-DS- 2A	.600 (15.24)	.800 (20.32)	.342 (8.69)	.830 (21.08)	.790 (20.07)	.601 (15.27) .592 (15.04)	.362 (9.19)	.6250-28 UN-2A
9-19	.490 (12.45)	.275 (6.99)	.5625-.05P-.1L-DS-2A	.600 (15.24)	.800 (20.32)	.342 (8.69)	.830 (21.08)	.790 (20.07)	.601 (15.27) .592 (15.04)	.362 (9.19)	.6250-28 UN-2A
9-200	.490 (12.45)	.255 (6.48)	.5625-.05P-.1L-DS- 2A	.600 (15.24)	.800 (20.32)	.342 (8.69)	.830 (21.08)	.790 (20.07)	.601 (15.27) .592 (15.04)	.362 (9.19)	.6250-28 UN-2A
10-2	.570 (14.48)	.299 (7.59)	.6250-.05P-.1L-DS- 2A	.640 (16.26)	.840 (21.34)	.362 (9.19)	.890 (22.61)	.855 (21.72)	.663 (16.84) .654 (16.61)	.397 (10.08)	.6875-28 UN-2A
10-5	.570 (14.48)	.255 (6.48)	.6250-.05P-.1L-DS- 2A	.640 (16.26)	.840 (21.34)	.362 (9.19)	.890 (22.61)	.855 (21.72)	.663 (16.84) .654 (16.61)	.397 (10.08)	.6875-28 UN-2A
10-201	.570 (14.48)	.294 (7.47)	.6250-.05P-.1L-DS- 2A	.640 (16.26)	.840 (21.34)	.362 (9.19)	.890 (22.61)	.855 (21.72)	.663 (16.84) .654 (16.61)	.397 (10.08)	.6875-28 UN-2A
17-7	.870 (22.10)	.217 (5.51)	1.0625-.1P-.2L-DS-2A	.960 (24.38)	1.160 (29.46)	.472 (11.99)	1.325 (33.65)	1.290 (32.77)	1.097 (27.86) 1.091 (27.71)	.759 (19.28)	1.125-28 UN-2A

SERIES 801 DOUBLE-START MATING



SERIES 801 DOUBLE-START ACME THREAD Mighty Mouse Connectors and Cables

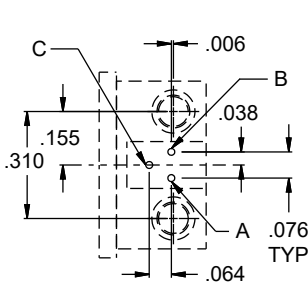


Jam-Nut Mount, Right Angle PC Tail Receptacle PCB Footprints

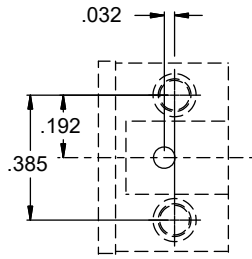
RIGHT ANGLE PCB FOOTPRINTS, SOCKET CONNECTORS

Patterns shown are for component mounting side of PCB.

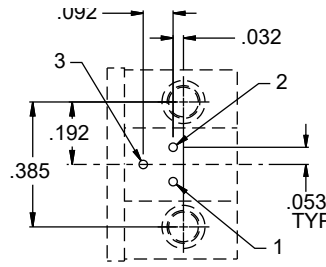
#23=.022 max #20=.028 #16=.064 #12=.096, mounting holes are .093 (2.36) diameter



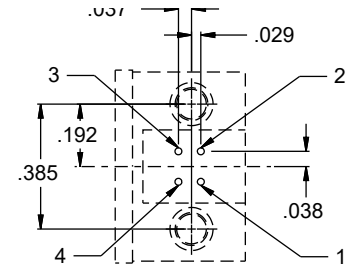
ARRANGEMENT NO. 5-3
(3 #23 CONTACTS)



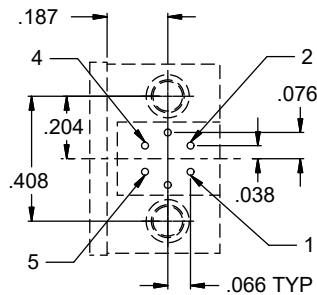
ARRANGEMENT NO. 6-1
(1 #16 CONTACT)



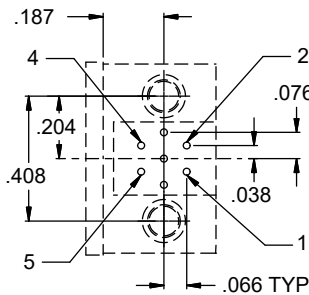
ARRANGEMENT NO. 6-23
(3 #20HD CONTACTS)



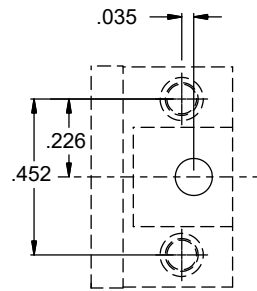
ARRANGEMENT NO. 6-4
(4 #23 CONTACTS)



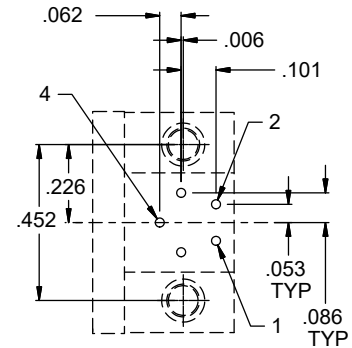
ARRANGEMENT NO. 6-6
(6 #23 CONTACTS)



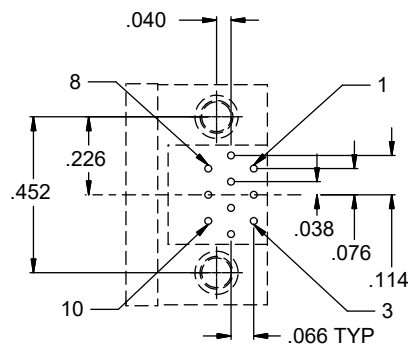
ARRANGEMENT NO. 6-7
(7 #23 CONTACTS)



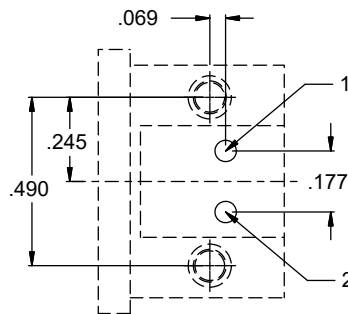
ARRANGEMENT NO. 7-1
(1 #12 CONTACT)



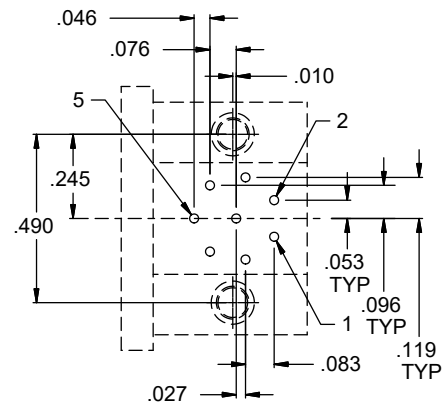
ARRANGEMENT NO. 7-25
(5 #20HD CONTACTS)



ARRANGEMENT NO. 7-10
(10 #23 CONTACTS)

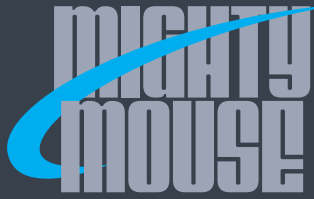


ARRANGEMENT NO. 8-2
(2 #16 CONTACTS)



ARRANGEMENT NO. 8-28
(8 #20HD CONTACTS)

SERIES 801 DOUBLE-START MATING

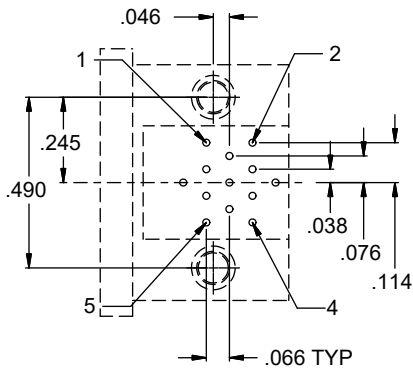


Jam-Nut Mount, Right Angle PC Tail Receptacle
PCB Footprints

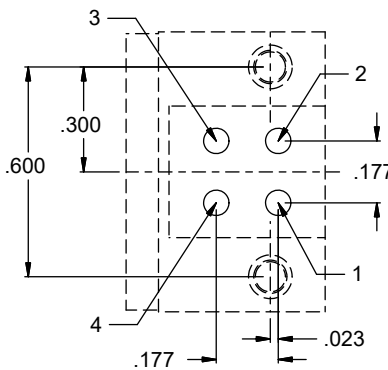
RIGHT ANGLE PCB FOOTPRINTS, SOCKET CONNECTORS

Patterns shown are for component mounting side of PCB.

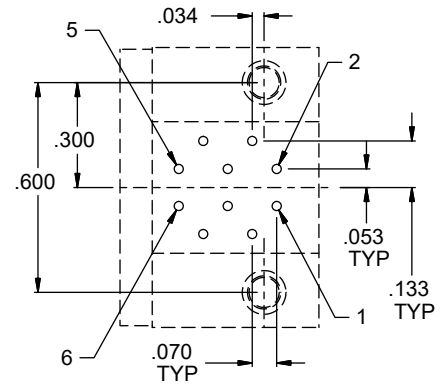
#23=.022 max #20=.028 #16=.064 #12=.096, mounting holes are .093 (2.36) diameter



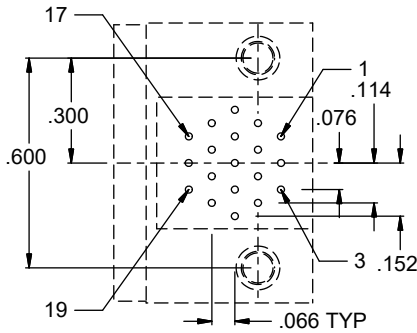
ARRANGEMENT NO. 8-13
(13 #23 CONTACTS)



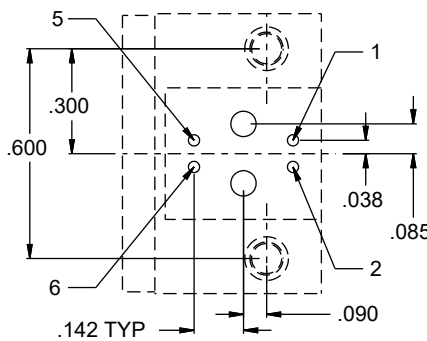
ARRANGEMENT NO. 9-4
(4 #16 CONTACTS)



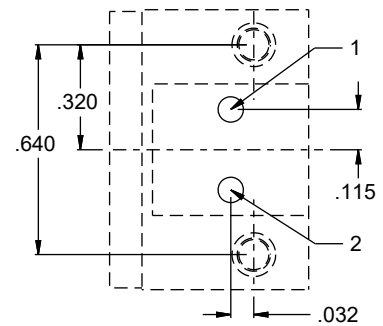
ARRANGEMENT NO. 9-210
(10 #20HD CONTACTS)



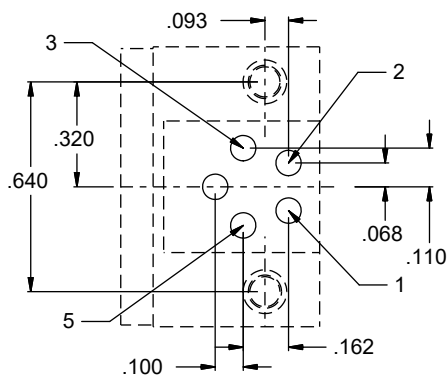
ARRANGEMENT NO. 9-19
(19 #23 CONTACTS)



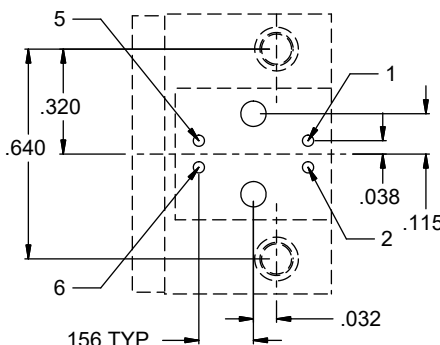
ARRANGEMENT NO. 9-200
(2 #16, 4 #23 CONTACTS)



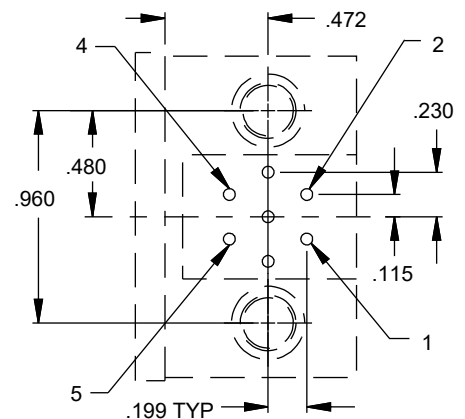
ARRANGEMENT NO. 10-2
(2 #12 CONTACTS)



ARRANGEMENT NO. 10-5
(5 #16 CONTACTS)

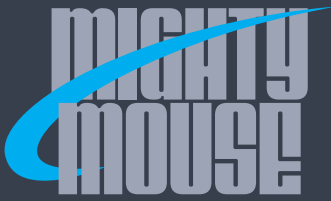


ARRANGEMENT NO. 10-201
(2 #12, 4 #23 CONTACTS)



ARRANGEMENT NO. 17-7
(7 #12 CONTACTS)

SERIES 801 DOUBLE-START MATING



SERIES 801 DOUBLE-START ACME THREAD Mighty Mouse Connectors and Cables



CODE RED Lightweight Hermetic Receptacle, Solder Cup or PC Tail

CODE RED™



Series 801 Lightweight Hermetic Receptacles

Feature an advanced hermetic encapsulant seal for a leak rate performance of 1×10^{-7} ccHe/second. Encapsulant seal allows for the use of copper alloy / gold plated contacts for improved performance over nickel-iron contacts typically found in glass-to-metal sealed connectors. Modified double-start stub ACME mating thread for improved protection against cross-mating and thread damage. Three shell styles — square flange, jam nut and weld mount, available. Solder cup or PC tail contacts for attachment to flex or rigid circuit boards.

Consult factory for fluid immersion and compatibility information.

How To Order	
Sample Part Number	801-140 -02 Z1 6-7 P A
Series	801-140 = CODE RED Lightweight Hermetic Receptacles
Shell Style (See Table I)	02 = Square Flange, Front or Rear Panel Mount 07 = Jam-Nut, Rear Panel Mount 13 = Weld-Mount, Front Panel Mount
Class	See Table II
Insert Arrangement	See 809-098
Contact Style	P = Pin, Solder Cup C = Pin, PC Tail S = Socket, Solder Cup D = Socket, PC Tail
Key Position	A - F See Table III

P.C. Tail	
Contact Sizes	Ø S
23	.022 (0.56)/.018 (0.46)
20	.028 (0.71)/.024 (0.61)
16	.064 (1.63)/.060 (1.52)
12	.096 (2.44)/.092 (2.34)

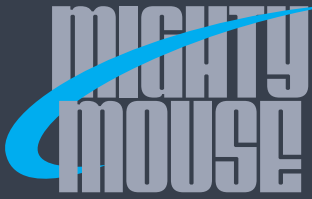
Table II		
Class	Shell Material	Finish Description
E	AL Alloy 4032	Chem-Flim, MIL-DTL-5541
ME	Aluminum Alloy 6061	Electroless Nickel
NF		Cadmium, Olive Drab
ZR	Stainless Steel	Zinc-Nickel, Black
Z1		Passivat E
ZL		Nickel Plated

Table III: Keyway Positions		
NORMAL AND ALTERNATE KEY ROTATION POSITION		
Position	A°	B°
A	150°	210°
B	75°	210°
C	95°	230°
D	140°	275°
E	75°	275°
F	95°	210°

NOTES

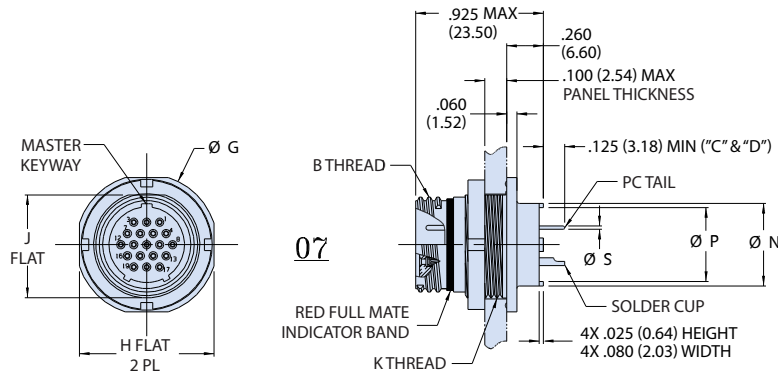
- This connector mates with all 801 plug connectors with same polarization and insert arrangement, opposite contact gender, (801-001, 801-002, 801-007 and 801-008).
- Performance:
Temperature range: -65° C to +175° C
Hermeticity: 1×10^{-7} CcHe/SEC, 1 ATM differential DWV: (contact cavity sizes)
Size 23 = 750 Vrms, sea level; 400 Vrms, 40K feet
Size 20HD = 1K Vrms, sea level; 400 Vrms, 40K feet
Sizes 20, 16 and 12 = 1.8K Vrms, sea level; 400 Vrms, 40K feet
IR: 5,000 MEGOHMS MIN, room temperature
- See page E-39 for panel cut-out dimensions
- Material / finish:
 - Shell & jam-nut: see Table II
 - Contacts: copper alloy / gold plate
 - Seals: Fluorosilicone / N.A.
 - Insulators: high grade rigid dielectric / N.A.
 - Sockets: copper alloy / gold plate (contact) CRES / passivated (hood)
 - Sealing compound: polymer encapsulant

SERIES 801 DOUBLE-START MATING

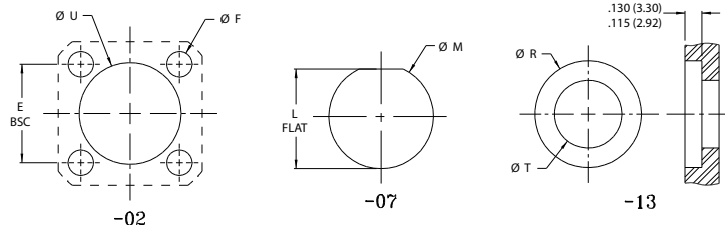


CODE RED Lightweight Hermetic Jam-Nut Receptacle, Solder Cup or PC Tail

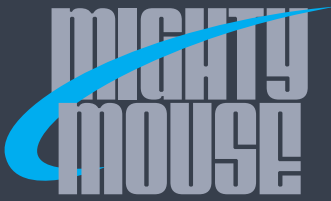
JAM-NUT MOUNT RECEPTACLE - SHELL STYLE 07



Shell Size	Dimensions							Panel Cutout							Panel Cutout			
	Ø A ± .002	Ø A'	B Thread	Ø C	D SQ	E BSC	F Holes	Ø G	H Flat	J Flat	K Thread	L Flat	Ø M	Ø N	Ø P	Ø R ± .003	Ø T MIN	Ø U ± .005
5	.600 (15.24)	.555 (14.10)	.3125-.05P-.1L-2A	.680 (17.27)	.530 (13.46)	.363 (9.22)		.575 (14.60)	.545 (13.84)	.350 (8.89)	.3750-28 UN-2A	.358 (9.09)	.385 (9.78)	.244 (6.20)	.197 (5.00)	.606 (15.39)	.180 (4.57)	.328 (8.33)
6	.665 (16.89)	.620 (15.75)	.3750-.05P-.1L-2A	.750 (19.05)	.590 (14.99)	.423 (10.74)	.096 (2.44)	.635 (16.13)	.595 (15.11)	.410 (10.41)	.4375-28 UNEF-2A	.418 (10.62)	.448 (11.38)	.330 (8.38)	.236 (5.99)	.671 (17.04)	.240 (6.10)	.390 (9.91)
7	.730 (18.54)	.685 (17.40)	.4375-.05P-.1L-2A	.850 (21.59)	.650 (16.51)	.483 (12.27)	.091 (2.31)	.755 (19.18)	.723 (18.36)	.536 (13.61)	.5625-32 UN-2A	.544 (13.82)	.572 (14.53)	.432 (10.97)	.324 (8.23)	.736 (18.69)	.330 (8.38)	.453 (11.51)
8	.788 (20.02)	.745 (18.92)	.5000-.05P-.1L-2A	.938 (23.83)	.712 (18.08)	.545 (13.84)		.830 (21.08)	.790 (20.07)	.596 (15.14)	.6250-28 UN-2A	.604 (15.34)	.635 (16.13)	.551 (14.00)	.444 (11.28)	.918 (23.32)	.455 (11.56)	.578 (14.68)
9	.912 (23.16)	.869 (22.07)	.5625-.05P-.1L-2A	1.125 (28.58)	.850 (21.59)	.607 (15.42)		.890 (22.61)	.855 (21.72)	.658 (16.71)	.6875-28 UN-2A	.666 (16.92)	.698 (17.73)	.620 (15.75)	.520 (13.21)	.981 (24.92)	.520 (13.21)	.640 (16.26)
10	.975 (24.76)	.933 (23.70)	.6250-.05P-.1L-2A	1.188 (30.18)	.890 (22.61)	.670 (17.02)		.960 (24.38)	.925 (23.50)	.718 (18.24)	.7500-28 UN-2A	.728 (18.49)	.760 (19.30)	.662 (16.81)	.557 (14.15)	1.068 (27.13)	.580 (14.73)	.703 (17.86)
11	1.062 (26.97)	1.019 (25.88)	.6875-.05P-.1L-2A	1.250 (31.75)	.935 (23.75)	.715 (18.16)		1.078 (27.38)	1.044 (26.52)	.845 (21.46)	.8750-28 UN-2A	.853 (21.67)	.885 (22.48)	.703 (17.86)	.596 (15.14)	1.168 (29.67)	.610 (15.49)	.828 (21.03)
13	1.162 (29.51)	1.119 (28.42)	.8125-.1P-.2L-2A	1.375 (34.92)	1.030 (26.16)	.812 (20.62)	.130 (3.30)	1.265 (32.13)	1.230 (31.24)	1.022 (25.96)	1.0625-20 UN-2A	1.030 (26.16)	1.072 (27.23)	.863 (21.92)	.756 (19.20)	1.294 (32.87)	.775 (19.68)	1.015 (25.78)
16	1.288 (32.72)	1.245 (31.62)	1.0000-.1P-.2L-2A	1.625 (41.28)	1.219 (30.96)	.981 (24.92)	.126 (3.20)	1.325 (33.77)	1.290 (32.77)	1.096 (27.84)	1.1250-28 UN-2A	1.104 (28.04)	1.135 (28.83)	.912 (23.16)	.805 (20.45)	1.366 (34.70)	.825 (20.96)	1.078 (27.38)
17	1.360 (34.54)	1.315 (33.40)	1.0625-.1P-.2L-2A	1.700 (43.18)	1.280 (32.51)	1.060 (26.92)		1.450 (36.83)	1.415 (35.94)	1.225 (31.12)	1.2500-28 UN-2A	1.235 (31.37)	1.260 (32.00)	1.018 (25.86)	.910 (23.11)	1.501 (38.13)	.930 (23.62)	1.203 (30.56)
19	1.495 (37.97)	1.452 (36.88)	1.1875-.1P-.2L-2A	1.900 (48.26)	1.432 (36.37)	1.191 (30.25)		1.625 (41.28)	1.577 (40.06)	1.346 (34.19)	1.3750-28 UN-2A	1.354 (34.39)	1.385 (35.18)	1.170 (29.72)	1.061 (26.95)	1.631 (41.43)	1.080 (27.43)	1.328 (33.73)
21	1.625 (41.28)	1.580 (40.13)	1.3125-.1P-.2L-2A	2.100 (53.34)	1.565 (39.75)	1.322 (33.58)												



RECOMMENDED PANEL CUTOUT

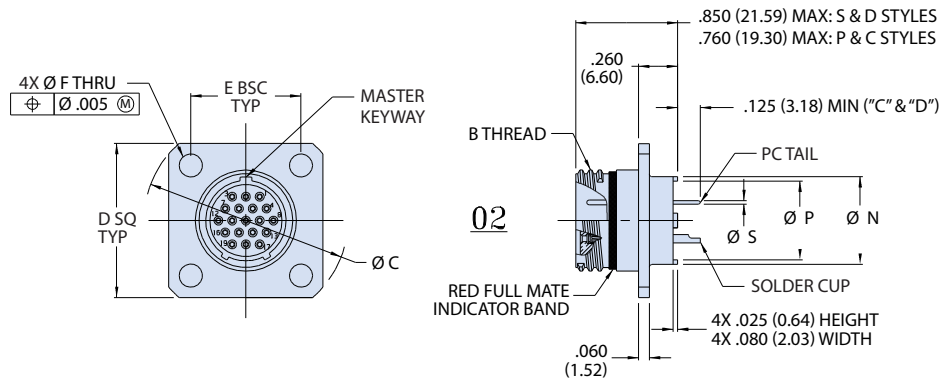


SERIES 801 DOUBLE-START ACME THREAD Mighty Mouse Connectors and Cables

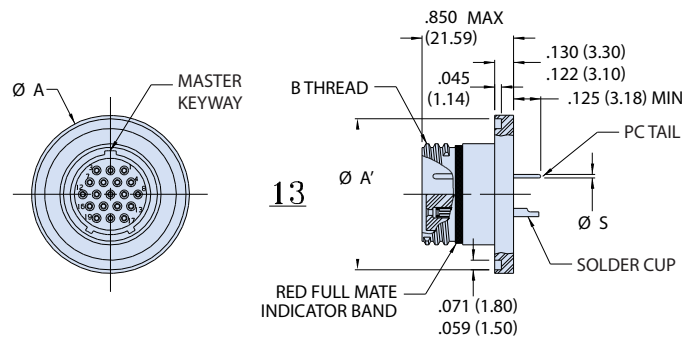


CODE RED Lightweight Hermetic Square Flange and Weld Mount Receptacle, Solder Cup or PC Tail

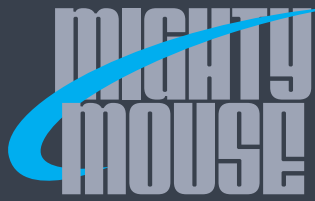
FRONT OR REAR, SQUARE FLANGE MOUNT - SHELL STYLE 02



WELD MOUNT - SHELL STYLE 13



SERIES 801 DOUBLE-START MATING



SERIES 801 DOUBLE-START ACME THREAD

Mighty Mouse Connectors and Cables



Hermetic Receptacles, Solder Cup or PC Tail

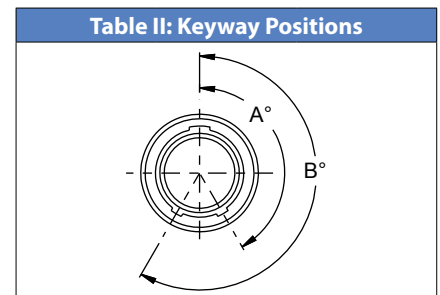


Series 801 Hermetic Receptacles

Feature a double-start modified stub ACME mating thread for improved protection against cross-mating and thread damage. 304L stainless steel shells suitable for E-Beam welding. 100% tested to meet 1×10^{-7} ccHe/sec @ 1 atm helium leak rate. Four shell styles available including solder mount, weld mount, jam-nut, or square flange. Integral standoffs for solder washout. Solder cup or PC tail contacts for attachment to flex or rigid circuit boards. Contacts are gold plated, nickel-iron.

How To Order	
Sample Part Number	801-012 -03 Z1 7-10 P A
Series	801-012 = Hermetic Receptacles
Shell Style (See Table I)	-02 = Square Flange, Front or Rear Panel Mount -03 = Solder Mount -07 = Jam-Nut, Rear Panel Mount -13 = Weld Mount
Material and Finish	Z1 = Stainless Steel / Passivated ZL = Stainless Steel / Nickel Plated
Shell Size - Insert Arrangement	See Contact Arrangements page E-7
Contact Type	P = Pin, Solder Cup C = Pin, PC Tail S = Socket, Solder Cup D = Socket, PC Tail
Polarization (See Table II)	A = Normal B = Pos. B C = Pos. C D = Pos. D E = Pos. E F = Pos. F

Table I: Shell Style			
Style -02 Square Flange	Style -03 Solder Mount	Style -07 Jam-Nut	Style -13 Weld Mount

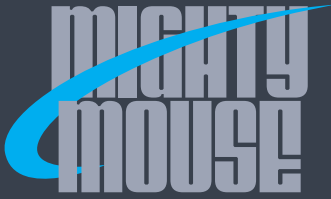


Position	A°	B°
A	150°	210°
B	75°	210°
C	95°	230°
D	140°	275°
E	75°	275°
F	95°	210°

NOTES

- Hermeticity: 1×10^{-7} cc/sec at one atmosphere, not for use in liquid environment
- This connector mates with all quick coupling high density plug connectors with same polarization and opposite contact gender, (801-001, 801-002, 801-007, and 801-008)
- See page E-11 for panel cut-out dimensions
- For all insert arrangements with size #8 contacts, add .300" to OAL dimension.
- Material / finish:
 - Shell: CRES 304L / passivate or plate as required
 - Jam-nut: CRES / passivate or plate as required
 - Contacts: alloy 52 / gold plate
 - Seals: fluorosilicone / N.A.
 - Insulators:
 - » Fused glass / N.A. (hermetic)
 - » Rigid dielectric / N.A. (socket insulator)
 - Sockets:
 - » Copper alloy / gold plate (contact)
 - » CRES / passivated (hood)

DWV Rating	
Contact Sizes	Test Voltage
23	750 Vac
20 HD	1000 Vac
16, 12, 8	1800 Vac

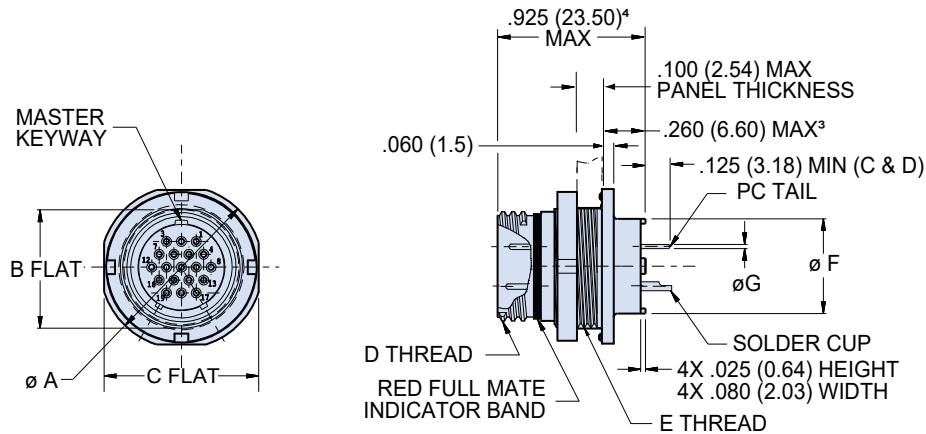


SERIES 801 DOUBLE-START ACME THREAD Mighty Mouse Connectors and Cables



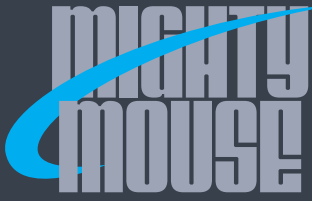
Hermetic Jam-Nut Receptacle, Solder Cup or PC Tail

JAM-NUT MOUNT RECEPTACLE - SHELL STYLE 07



Dimensions							
Shell Size	Ø A	B Flat	C Flat	D Thread	E Thread UN-2A	Ø F	Ø G PC Tail Dia.
5	.575 (14.60)	.350 (8.89)	.545 (13.84)	.3125-.05P-.1L-2A	.3750-28	.244 (6.20)	#23 .018/.022 (0.46/0.56)
6	.635 (16.13)	.410 (10.41)	.595 (15.11)	.3750-.05P-.1L-2A	.4375-28	.330 (8.38)	
7	.755 (19.18)	.536 (13.61)	.723 (18.36)	.4375-.05P-.1L-2A	.5625-32	.432 (10.97)	#20 .024/.028 (0.61/0.71)
8	.755 (19.18)	.536 (13.61)	.723 (18.36)	.5000-.05P-.1L-2A	.5625-32	.493 (12.52)	
9	.830 (21.08)	.596 (15.14)	.790 (20.07)	.5625-.05P-.1L-2A	.6250-28	.551 (14.00)	#16 .060/.064 (1.52/1.63)
10	.890 (22.61)	.658 (16.71)	.855 (21.72)	.6250-.05P-.1L-2A	.6875-28	.620 (15.75)	
11	.960 (24.38)	.718 (18.24)	.925 (23.50)	.6875-.05P-.1L-2A	7500-28	.662 (16.81)	#12 .092/.096 (2.34/2.44)
13	1.078 (27.38)	.845 (21.46)	1.044 (26.52)	.8125-.1P-.2L-2A	.8750-28	.703 (17.86)	
16	1.265 (32.13)	1.022 (25.96)	1.230 (31.24)	1.0000-.1P-.2L-2A	1.0625-20	.863 (21.92)	
17	1.325 (33.65)	1.096 (27.84)	1.290 (32.77)	1.0625-.1P-.2L-2A	1.1250-28	.912 (23.16)	
19	1.450 (36.83)	1.225 (31.12)	1.415 (35.94)	1.1875-.1P-.2L-2A	1.2500-28	1.018 (25.86)	
21	1.625 (41.28)	1.346 (34.19)	1.577 (40.06)	1.3125-.1P-.2L-2A	1.3750-28	1.170 (29.72)	

SERIES 801 DOUBLE-START MATING

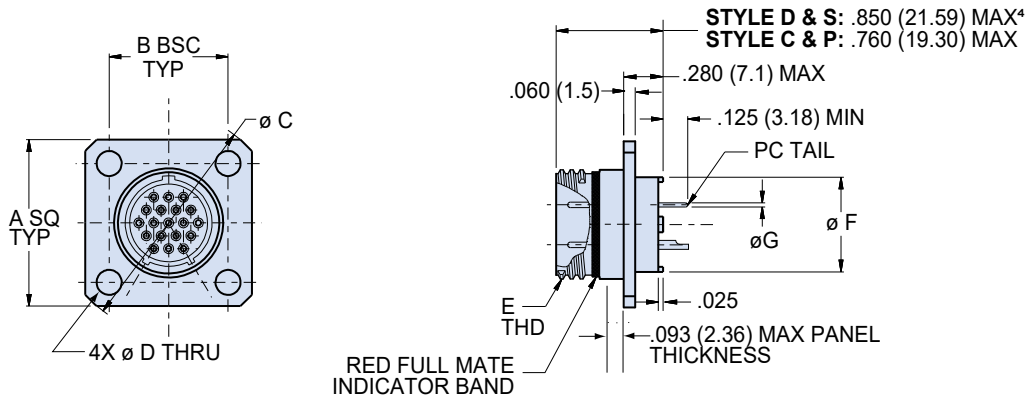


SERIES 801 DOUBLE-START ACME THREAD Mighty Mouse Connectors and Cables



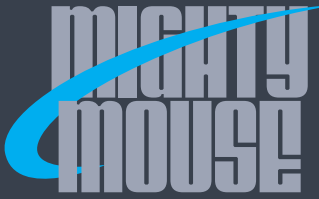
Hermetic Square Flange Receptacle, Solder Cup or PC Tail

FRONT OR REAR, SQUARE FLANGE MOUNT - SHELL STYLE 02

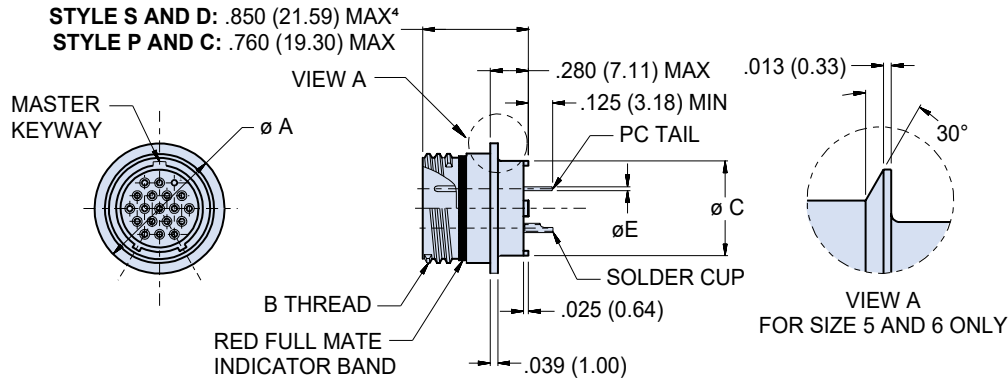


Dimensions							
Shell Size	A Sq	B BSC	Ø C	Ø D	E Thread	Ø F	Ø G PC Tail Dia
5	.530 (13.46)	.363 (9.22)	.680 (17.27)	.096/.091	.3125-.05P-.1L-2A	0.010 (.244)	#23 .018/.022 (0.46/0.56)
6	.590 (14.99)	.423 (10.74)	.750 (19.05)		.3750-.05P-.1L-2A	0.013 (.330)	
7	.650 (16.51)	.483 (12.27)	.850 (21.59)		.4375-.05P-.1L-2A	0.017 (.432)	
8	.712 (18.08)	.545 (13.84)	.938 (23.83)		.5000-.05P-.1L-2A	0.019 (.493)	
9	.850 (21.59)	.607 (15.42)	1.125 (28.58)	.130/.126	.5625-.05P-.1L-2A	0.022 (.551)	#20 .024/.028 (0.61/0.71)
10	.890 (22.61)	.670 (17.02)	1.188 (30.18)		.6250-.05P-.1L-2A	0.024 (.620)	
11	.935 (23.75)	.715 (18.16)	1.250 (31.75)		.6875-.05P-.1L-2A	0.026 (.662)	
13	1.030 (26.16)	.812 (20.62)	1.375 (34.92)		.8125-.1P-.2L-2A	0.028 (.703)	
16	1.219 (30.96)	.981 (24.92)	1.625 (41.28)		1.0000-.1P-.2L-2A	0.034 (.863)	
17	1.280 (32.51)	1.060 (26.92)	1.700 (43.18)		1.0625-.1P-.2L-2A	0.036 (.912)	
19	1.432 (36.37)	1.191 (30.25)	1.900 (48.26)		1.1875-.1P-.2L-2A	0.040 (1.018)	
21	1.565 (39.75)	1.322 (33.58)	2.100 (53.34)		1.3125-.1P-.2L-2A	0.046 (1.170)	

SERIES 801 DOUBLE-START MATING



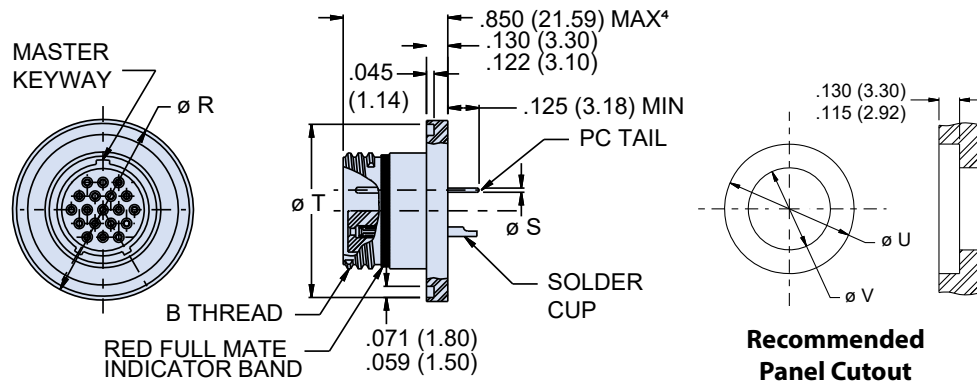
SOLDER MOUNT RECEPTACLE - SHELL STYLE 03



Dimensions							
Shell Size	Ø A	B Thread	Ø C	Shell Size	Ø A	B Thread	Ø C
5	.395 (10.03)	.3125-.05P-.1L-2A	.244 (6.20)	11	.770 (19.56)	.6875-.05P-1L-2A	.662 (16.81)
6	.455 (11.56)	.375-.05P-.1L-2A	.330 (8.38)	13	.895 (22.73)	.8125-.1P-.2L-2A	.703 (17.86)
7	.520 (13.21)	.4375-.05P-1L-2A	.432 (10.97)	16	1.080 (27.43)	1.000-.1P-.2L-2A	.863 (21.92)
8	.580 (14.73)	.5000-.05P-1L-2A	.493 (12.52)	17	1.145 (29.08)	1.062-.1P-.2L-2A	.912 (23.16)
9	.645 (16.38)	.5625-.05P-.1L-2A	.551 (14.00)	19	1.270 (32.26)	1.1875-.1P-.2L-2A	1.018 (25.86)
10	.705 (17.91)	.6250-.05P-1L-2A	.620 (15.75)	21	1.395 (35.43)	1.3125-.1P-.2L-2A	1.170 (29.72)

PC Tail Diameter	
Ø E	
#23 .018/.022 (0.46/0.56)	#16 .060/.064 (1.52/1.63)
#20 .024/.028 (0.61/0.71)	#12 .092/.096 (2.34/2.44)

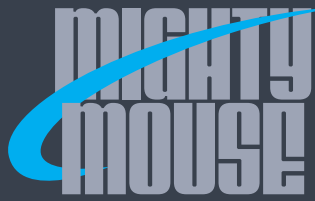
WELD MOUNT RECEPTACLE - SHELL STYLE 13



Dimensions											
Shell Size	B Thread	Ø R ±.002	Ø T	Ø U	Ø V	Shell Size	B Thread	Ø R ±.002	Ø T	Ø U	Ø V
5	.3125-.05P-.1L-2A	.600 (15.24)	.555 (14.10)	.606 (15.39)	.180 (4.57)	11	.6875-.05P-.1L-2A	1.062 (26.97)	1.019 (25.88)	1.068 (27.13)	.580 (14.73)
6	.3750-.05P-.1L-2A	.665 (16.89)	.620 (15.75)	.671 (17.04)	.240 (8.38)	13	.8125-.1P-.2L-2A	1.162 (29.51)	1.119 (28.42)	1.168 (29.67)	.610 (15.49)
7	.4375-.05P-.1L-2A	.730 (18.54)	.685 (17.40)	.736 (18.69)	.330 (6.10)	16	1.0000-.1P-.2L-2A	1.288 (32.72)	1.245 (31.62)	1.294 (32.87)	.775 (19.69)
8	.5000-.05P-.1L-2A	.788 (20.02)	.745 (18.92)	.794 (20.17)	.390 (9.91)	17	1.0625-.1P-.2L-2A	1.360 (34.54)	1.315 (33.40)	1.366 (34.70)	.825 (20.96)
9	.5625-.05P-.1L-2A	.912 (23.16)	.869 (22.07)	.918 (23.32)	.455 (11.56)	19	1.1875-.1P-.2L-2A	1.495 (37.97)	1.452 (36.88)	1.501 (38.13)	.930 (23.62)
10	.6250-.05P-.1L-2A	.975 (24.77)	.933 (23.70)	.981 (24.92)	.520 (13.21)	21	1.3125-.1P-.2L-2A	1.625 (41.28)	1.580 (40.13)	1.631 (41.43)	1.080 (27.43)

PC Tail Diameter
Ø S
#23 - .018/.022 (0.46/0.56)
#20 - .024/.028 (0.61/0.71)
#16 - .060/.064 (1.52/1.63)
#12 - .092/.096 (2.34/2.44)

SERIES 801 DOUBLE-START MATING



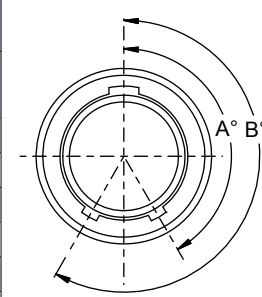
Series 801 Hermetic Receptacles

Feature gold plated nickel-iron alloy contacts and glass to metal seal. 100% tested to meet 1×10^{-7} ccHe/sec @ 1 atm helium leak rate. Stainless steel connector shell provides excellent corrosion protection. Viton® O-rings offer improved resistance to high temperature and harsh chemicals. Square flange, solder, and jam-nut shell styles. Size #16 (up to 700 MHz) and #12 (up to 3 GHz) coax contacts available.

How To Order	
Sample Part Number	801-124 -07 Z1 16-5 C A -50
Series	801-124 = Hermetic Receptacle
Shell Style (See Table I)	-02 = Square Flange, Mount -03 = Solder Mount Receptacle -07 = Jam-Nut Rear Panel Mount
Shell Material and Finish	Z1 = Stainless Steel / Passivated ZL = Stainless Steel / Nickel Plated
Shell Size - Insert Arrangement	See Contact Arrangements page E-7, Contact size 16 and 12 only
Contact Type	C = Coax Pin Face D = Coax Socket Face
Polarization (See Table II)	A = Normal B = Pos. B C = Pos. C D = Pos. D E = Pos. E F = Pos. F
Nominal Impedance	50 = 50 OHM (#12 & 16) 75 = 75 OHM (#12 ONLY)

Table I: Shell Style		
-07 Jam-Nut, Rear Panel Mount	-02 Square Flange	-03 Solder Mount

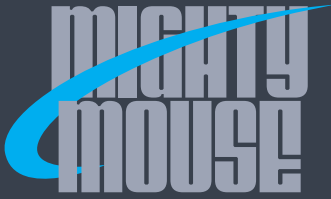
Table II: Keyway Positions		
Key Position	Key Rotation	
	A°	B°
A Normal	150°	210°
B	75°	210°
C	95°	230°
D	140°	275°
E	75°	275°
F	95°	210°



DWV Rating	
Contact Sizes	Test Voltage
23	750 Vac
20 HD	1000 Vac
16, 12, 8	1800 Vac
16 Coax**	800 Vac
12 Coax**	1000 Vac
**Inner contact to outer contact	

NOTES

- Performance Test Criteria:
- Hermeticity: 1×10^{-7} ccHe/sec @ 1 ATM differential
- D.W.V.:
#16 - 800 VAC inner to outer contact
#12 - 1000 VAC inner to outer contact
1800 VAC outer-pin to outer-pin and outer-pin to shell
- I.R.: 5000 megohms min @500VDC
- 801-124 connector will mate with all quick-coupling plug connectors having the same shell size, contact arrangement, and opposite contact gender (coax socket.)
- Frequency range:
size 16: up to 700 MHz; size 12: up to 3 GHz
- See page E-11 for panel cut-out dimensions
- Material/Finish
 - Shell, jam-nut: stainless steel, passivated or plated see part number development / N.A.
 - Contacts hermetic: nickel alloy/gold plated / N.A.
 - Contacts, socket: copper/gold plated
 - Insulator, hermetic: full glass / N.A.
 - Insulator, coax: rigid dielectric / N.A.
 - Seals, o-rings: fluorosilicone blend / N.A.

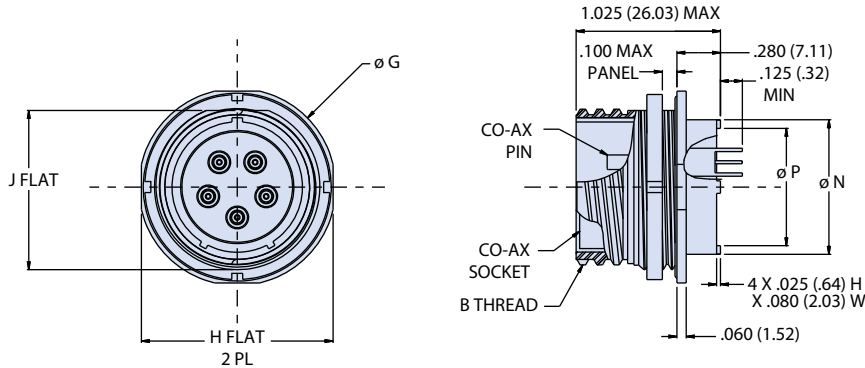


SERIES 801 DOUBLE-START ACME THREAD Mighty Mouse Connectors and Cables

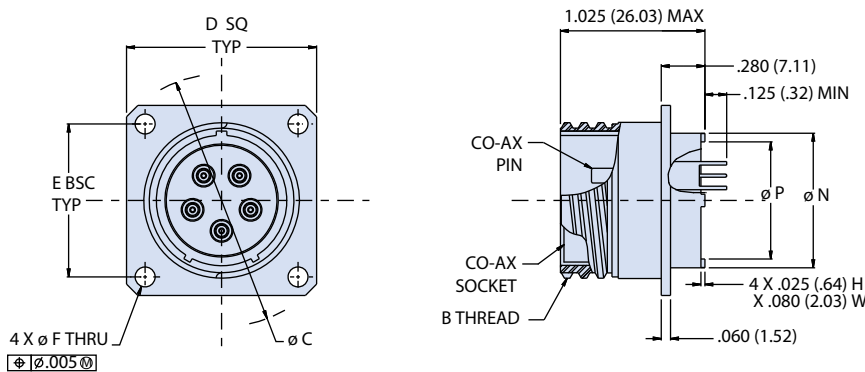


Hermetic PC Tail Receptacle with Coax Contacts

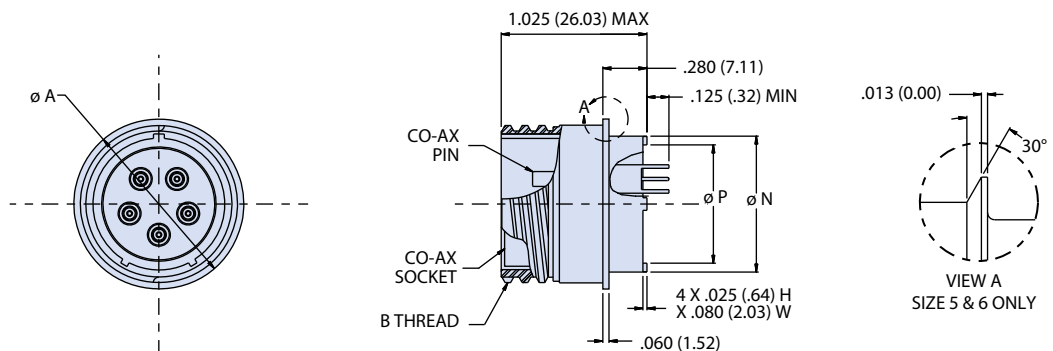
JAM-NUT, REAR PANEL MOUNT RECEPTACLE - SHELL STYLE 07

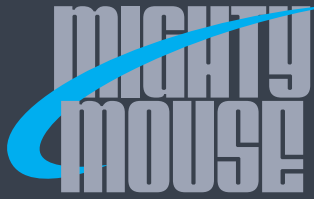


SQUARE FLANGE, FRONT OR REAR PANEL MOUNT, THRU-HOLE RECEPTACLE - SHELL STYLE 02



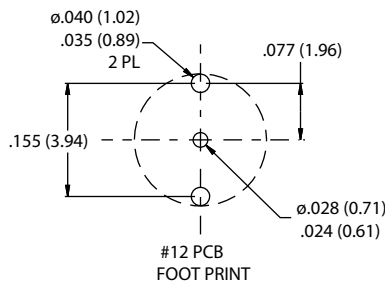
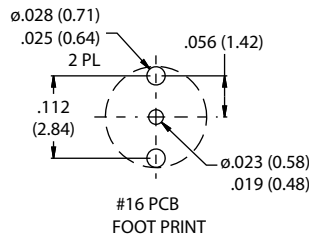
SOLDER MOUNT MOUNT RECEPTACLE - SHELL STYLE 03

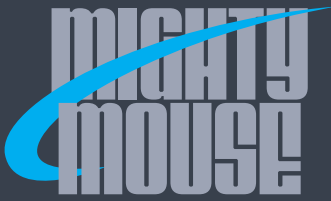




Dimensions												
Shell Size	Ø A	B Thread	Ø C	D SQ	E BSC	F Holes	Ø G	H Flat	J Flat	Ø N	Ø P	
5	.395 (10.03)	.3125-.05P-.1L-2A	.680 (17.27)	.530 (13.46)	.363 (9.22)	.096 (2.44) .091 (2.31)	.575 (14.60)	.545 (13.84)	.350 (8.89)	.244 (6.20)	.197 (5.00)	
6	.455 (11.56)	.3750-.05P-.1L-2A	.750 (19.05)	.590 (14.99)	.423 (10.74)		.635 (16.13)	.595 (15.11)	.410 (10.41)	.330 (8.38)	.236 (5.99)	
7	.520 (13.21)	.4375-.05P-.1L-2A	.850 (21.59)	.650 (16.51)	.483 (12.27)		.755 (19.18)	.723 (18.36)	.536 (13.61)	.432 (10.97)	.324 (8.23)	
8	.580 (14.73)	.5000-.05P-.1L-2A	.938 (23.83)	.712 (18.08)	.545 (13.84)		.755 (19.18)	.723 (18.36)	.536 (13.61)	.493 (12.52)	.390 (9.91)	
9	.645 (16.38)	.5625-.05P-.1L-2A	1.125 (28.58)	.850 (21.59)	.607 (15.42)		.830 (21.08)	.790 (20.07)	.596 (15.14)	.551 (14.00)	.444 (11.28)	
10	.705 (17.91)	.6250-.05P-.1L-2A	1.188 (30.18)	.890 (22.61)	.670 (17.02)		.890 (22.61)	.855 (21.72)	.658 (16.71)	.620 (15.75)	.520 (13.21)	
11	.770 (19.56)	.6875-.05P-.1L-2A	1.250 (31.75)	.935 (23.75)	.715 (18.16)		.960 (24.38)	.925 (23.50)	.718 (18.24)	.662 (16.81)	.557 (14.15)	
13	.895 (22.73)	.8125-.1P-.2L-2A	1.375 (34.92)	1.030 (26.16)	.812 (20.62)		1.078 (27.38)	1.044 (26.52)	.845 (21.46)	.703 (17.86)	.596 (15.14)	
16	1.080 (27.43)	1.0000-.1P-.2L-2A	1.625 (41.28)	1.219 (30.96)	.981 (24.92)		.130 (3.30)	1.265 (32.13)	1.230 (31.24)	1.022 (25.96)	.863 (21.92)	.756 (19.20)
17	1.145 (29.08)	1.0625-.1P-.2L-2A	1.700 (43.18)	1.280 (32.51)	1.060 (26.92)		.126 (3.20)	1.325 (33.65)	1.290 (32.77)	1.096 (27.84)	.912 (23.16)	.805 (20.45)
19	1.270 (32.26)	1.1875-.1P-.2L-2A	1.900 (48.26)	1.432 (36.37)	1.191 (30.25)		1.450 (36.83)	1.415 (35.94)	1.225 (31.12)	1.018 (25.86)	.910 (23.11)	
21	1.415 (35.94)	1.3125-.1P-.2L-2A	2.100 (53.34)	1.565 (39.75)	1.322 (33.58)	1.625 (41.28)	1.577 (40.06)	1.346 (34.19)	1.170 (29.72)	1.061 (26.95)		

PCB FOOTPRINTS





SERIES 801 DOUBLE-START ACME THREAD Mighty Mouse Connectors and Cables

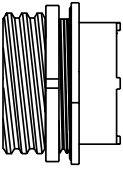
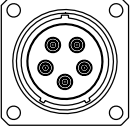
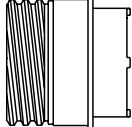


Hermetic Receptacle with Coax Pin Contacts and Non-Removable Crimp Cable Adapters

Series 801 Quick Coupling Hermetic Receptacles feature a double-start modified stub ACME mating thread for improved protection against cross-mating and thread damage. Stainless steel shells provide excellent corrosion resistance. 100% tested to meet 1×10^{-7} ccHe/sec @ 1 atm helium leak rate. Three shell styles available including solder mount, jam-nut, or square flange. Contacts are nickel-iron alloy and gold plated. Size #16 contacts up to 700 MHz, size 12 up to 3 GHz frequency range cable adapters with crimp rings provided with each connector for reliable cable termination. Once adapter is terminated, connector must be backfilled with epoxy and is non-removable.

How To Order	
Sample Part Number	801-059 -03 Z1 16-5 P A -02
Series	801-059 = Hermetic Receptacle
Shell Style (See Table I)	-02 = Square Flange, RPM -03 = Solder Mount -07 = Jam-Nut, RPM
Shell Material and Finish*	Z1 = Stainless Steel / Passivated ZB = Stainless Steel / Olive Drab Chromate over Cadmium ZC = Stainless Steel / Zinc Cobalt Alloy/Black Chromate ZL = Stainless Steel / Nickel Plated
Shell Size - Insert Arrangement	See Contact Arrangements page E-7
Contact Type	P = Coax Pin
Polarization (See Table II)	A = Normal B = Pos. B C = Pos. C D = Pos. D E = Pos. E F = Pos. F
Cable Attachment	Cables Accommodated: -01 = M17/113-RG316 -02 = M17/152-00001 (RG316DS) -03 = M17/93-RG178 -04 = RG-178 Double Shield per DSCC 06017 -05 = M17/94-RG179

*Titanium and Inconel® shell materials available. Consult factory for information.

Table I: Shell Style		
		
-07 Jam-Nut, Rear Panel Mount	-02 Square Flange	-03 Solder Mount

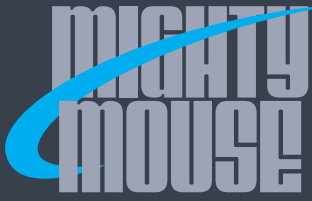
DWV Rating			
Contact Sizes	Test Voltage	Contact Sizes	Test Voltage
23	750 Vac	16 Coax**	800 Vac
20 HD	1000 Vac	12 Coax**	1000 Vac
16, 12, 8	1800 Vac	**Inner contact to outer contact	

NOTES

- Performance test criteria:
 - Hermeticity: 1×10^{-7} ccHe/sec @ 1 atmosphere differential
 - D.W.V.: 3500 VAC pin-to-pin and pin-to-shell with out breakdown
 - Insulation Resistance: 5000 megohms min @ 500 Vdc
- Each connector is supplied with sufficient cable adapters and crimp rings to terminate appropriate cable for insertion into contact rear. After cable is terminated and adapters inserted in contact rear, the rear of the connector must be potted to cover adapters
- Connector will mate with all quick-coupling plug connectors (8001-001, 801-00, 801-007, 801-008) having the same shell size, contact arrangement, and opposite contact gender (coax socket)
- Frequency range
Size 16: up to 700 MHz
Size 12: up to 3 GH
- For #8 contacts, max overall length increases by .250 (6.35)
- See page E-11 for panel cut-out dimensions
- Material / finish
 - Shell, jam-nut: 304L CRES / passivated or plated
 - Contacts, hermetic: Nickel alloy/gold plate
 - Contacts, cable adapter: copper alloy / gold plate
 - Insulator, hermetic: full glass / N.A.
 - Insulator, Coax: rigid dielectric / N.A.
 - Seals, O-rings: fluorosilicone blend / N.A

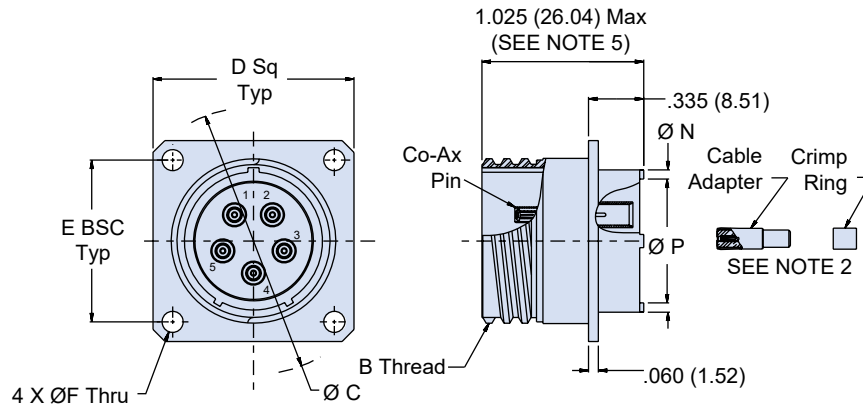
Table II: Keyway Positions

Key Position	A°	B°
A	150°	210°
B	75°	210°
C	95°	230°
D	140°	275°
E	75°	275°
F	95°	210°



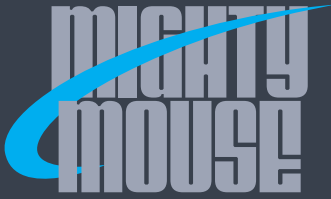
Hermetic Square Flange Receptacle with Coax Pin Contacts and Crimp Cable Adapters

SQUARE FLANGE RECEPTACLE - SHELL STYLE 02



Dimensions					
Shell Size	B Thread	Ø C	D Sq ±.003 (± 0.08)	Ø N	Ø P
6	.3750-.05P-.1L-2A	.750 (19.05)	.590 (14.99)	.330 (8.38)	.236 (5.99)
7	.4375-.05P-.1L-2A	.850 (21.59)	.650 (16.51)	.432 (10.97)	.324 (8.23)
8	.5000-.05P-.1L-2A	.938 (23.83)	.712 (18.08)	.493 (12.52)	.390 (9.91)
9	.5625-.05P-.1L-2A	1.125 (28.58)	.850 (21.59)	.551 (14.00)	.444 (11.28)
10	.6250-.05P-.1L-2A	1.188 (30.18)	.890 (22.61)	.620 (15.75)	.520 (13.21)
11	.6875-.05P-.1L-2A	1.250 (31.75)	.935 (23.75)	.662 (16.81)	.557 (14.15)
13	.8125-.1P-.2L-2A	1.375 (34.92)	1.030 (26.16)	.703 (17.86)	.596 (15.14)
16	1.0000-.1P-.2L-2A	1.625 (41.28)	1.219 (30.96)	.863 (21.92)	.756 (19.20)
17	1.0625-.1p-.2l-2a	1.700 (43.18)	1.280 (32.51)	.912 (23.16)	.805 (20.45)
19	1.8750-.1p-.2l-2a	1.900 (48.26)	1.432 (36.37)	1.018 (25.86)	.910 (23.11)
21	1.3125-.1p-.2l-2a	2.100 (53.34)	1.565 (39.75)	1.170 (29.72)	1.061 (26.95)

SERIES 801 DOUBLE-START MATING

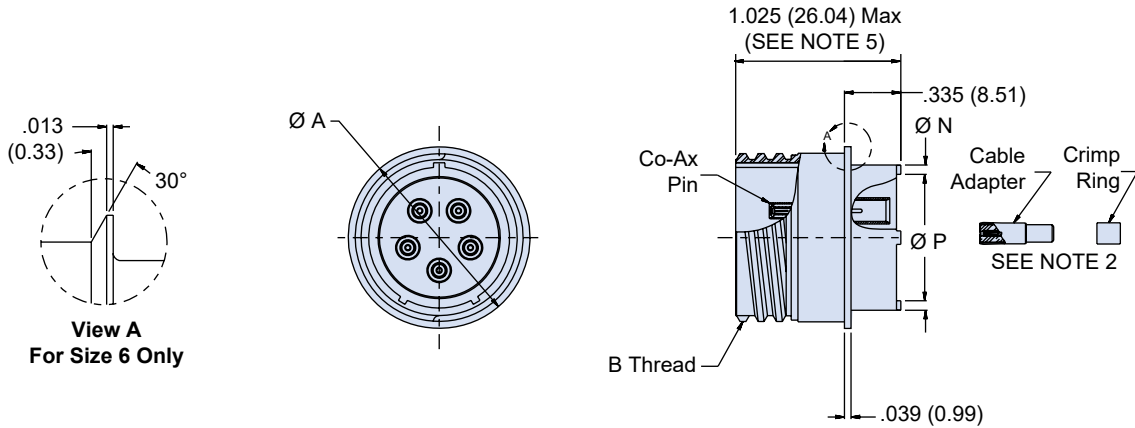


SERIES 801 DOUBLE-START ACME THREAD Mighty Mouse Connectors and Cables



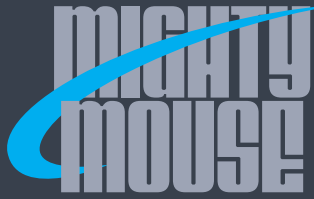
Hermetic Solder Mount Receptacle with Coax Pin Contacts and Crimp Cable Adapters

SOLDER MOUNT RECEPTACLE - SHELL STYLE 03



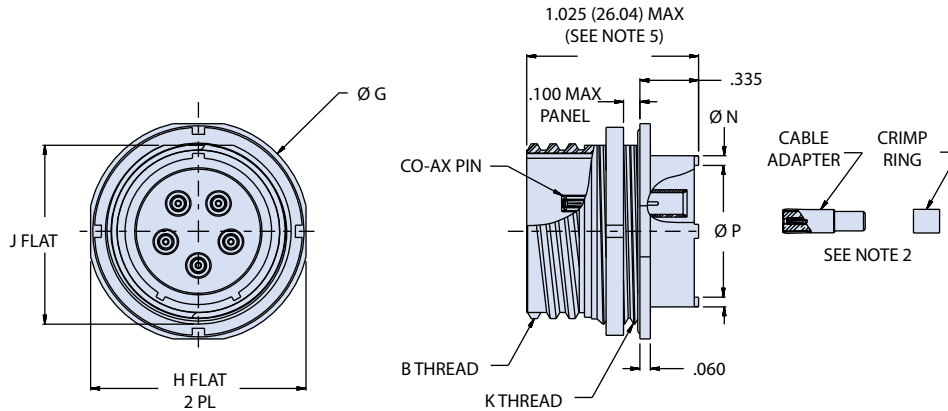
Dimensions				
Shell Size	Ø A	B Thread	Ø N	Ø P
6	.455 (11.56)	.3750-.05P-.1L-2A	.330 (8.38)	.236 (5.99)
7	.520 (13.21)	.4375-.05P-.1L-2A	.432 (10.97)	.324 (8.23)
8	.580 (14.73)	.5000-.05P-.1L-2A	.493 (12.52)	.390 (9.91)
9	.645 (16.38)	.5625-.05P-.1L-2A	.551 (14.00)	.444 (11.28)
10	.705 (17.91)	.6250-.05P-.1L-2A	.620 (15.75)	.520 (13.21)
11	.770 (19.56)	.6875-.05P-.1L-2A	.662 (16.81)	.557 (14.15)
13	.895 (22.73)	.8125-.1P-.2L-2A	.703 (17.86)	.596 (15.14)
16	1.080 (27.43)	1.0000-.1P-.2L-2A	.863 (21.92)	.756 (19.20)
17	1.145 (29.08)	1.0625-.1p-.2l-2a	.912 (23.16)	.805 (20.45)
19	1.283 (32.59)	1.8750-.1p-.2l-2a	1.018 (25.86)	.910 (23.11)
21	1.415 (35.94)	1.3125-.1p-.2l-2a	1.170 (29.72)	1.061 (26.95)

SERIES 801 DOUBLE-START MATING

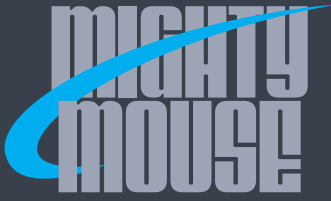


Hermetic Jam-nut Receptacle with Coax Pin Contacts and Crimp Cable Adapters

JAM-NUT RECEPTACLE - SHELL STYLE 07



Dimensions							
Shell Size	Ø A	J Flat	H Flat	B Thread	K Thread	Ø N	Ø P
6	.455 (11.56)	.410 (10.41)	.595 (15.11)	.3750-.05P-.1L-2A	.4375-28 UNEF-2A	.330 (8.38)	.236 (5.99)
7	.520 (13.21)	.536 (13.61)	.723 (18.36)	.4375-.05P-.1L-2A	.5625-32 UN-2A	.432 (10.97)	.324 (8.23)
8	.580 (14.73)	.536 (13.61)	.723 (18.36)	.5000-.05P-.1L-2A	.5625-32 UN-2A	.493 (12.52)	.390 (9.91)
9	.645 (16.38)	.596 (15.14)	.790 (20.07)	.5625-.05P-.1L-2A	.6250-28 UN-2A	.551 (14.00)	.444 (11.28)
10	.705 (17.91)	.658 (16.71)	.855 (21.72)	.6250-.05P-.1L-2A	.6875-28 UN-2A	.620 (15.75)	.520 (13.21)
11	.770 (19.56)	.718 (18.24)	.925 (23.50)	.6875-.05P-.1L-2A	.7500-28 UN-2A	.662 (16.81)	.557 (14.15)
13	.895 (22.73)	.845 (21.46)	1.044 (26.52)	.8125-.1P-.2L-2A	.8750-28 UN-2A	.703 (17.86)	.596 (15.14)
16	1.080 (27.43)	1.022 (25.96)	1.230 (31.24)	1.0000-.1P-.2L-2A	1.0625-20 UN-2A	.863 (21.92)	.756 (19.20)
17	1.145 (29.08)	1.096 (27.84)	1.290 (32.77)	1.0625-.1p-.2l-2a	1.1250-28 UN-2A	.912 (23.16)	.805 (20.45)
19	1.283 (32.59)	1.225 (31.12)	1.415 (35.94)	1.8750-.1p-.2l-2a	1.2500-28 UN-2A	1.018 (25.86)	.910 (23.11)
21	1.415 (35.94)	1.346 (34.19)	1.577 (40.06)	1.3125-.1p-.2l-2a	1.3750-28 UN-2A	1.170 (29.72)	1.061 (26.95)



SERIES 801 DOUBLE-START ACME THREAD Mighty Mouse Connectors and Cables

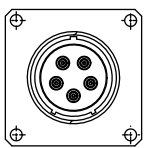
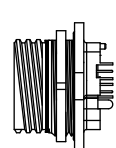


Hermetic, PCB Receptacles with Power/Signal Contacts and Threaded Standoffs

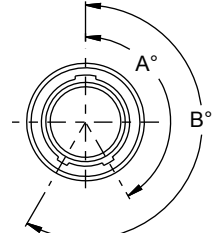
Series 801 PC Board Mounting Hermetic Receptacles feature double-start, modified stub, ACME mating thread for improved protection against cross-mating and thread damage. Stainless steel shells provide excellent corrosion resistance while fluorosilicone seals and o-rings offer improved immunity to harsh chemicals. 100% tested to meet 1×10^{-7} ccHe/

sec @ 1 atm helium leak rate. Square flange and jam-nut shell styles available. Integral standoffs for solder washout and threaded PCB mounting holes for harsh environments where high vibration and shock are a concern. PC tail contacts allow for attachment to flex or rigid circuit boards. Contacts are nickel alloy and gold plated.

How To Order							
Sample Part Number	801-125	-07	Z1	12-5	C	1	A
Series	801-125 = Board Mount PC Tail Hermetic Receptacle						
Shell Style (See Table I)	-02 = Box Mount -07 = Jam-Nut, Rear Panel Mount						
Material and Finish	Z1 = Stainless Steel / Passivated ZL = Stainless Steel / Nickel Plated						
Shell Size - Insert Arrangement	See Contact Arrangements page E-7						
Contact Type	C = P.C., Termination, Pin D = P.C., Termination, Socket						
P.C. Tail Length	-1 = .125 min -2 = .250 min						
Polarization (See Table II)	A = Normal B = Pos. B C = Pos. C D = Pos. D E = Pos. E F = Pos. F						

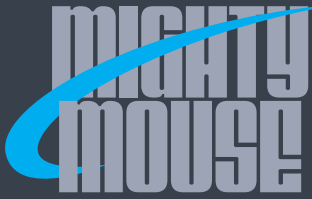
Table I: Shell Style	
	
Style -02 Square Flange	Style -07 Jam-Nut

DWV Rating	
Contact Sizes	Test Voltage
23	750 Vac
20 HD	1000 Vac
16, 12, 8	1800 Vac

Table II: Polarization		
		
Position	A°	B°
A	150°	210°
B	75°	210°
C	95°	230°
D	140°	275°
E	75°	275°
F	95°	210°

NOTES

- For arrangements with #8 contacts, add .300 to overall length
- Hermeticity: 1×10^{-7} cc/sec at one atmosphere
- DWV: per table III
- Insulation resistance: 5000 megohms min at 500 VDC
- Receptacle mates with all Glenair 801 style plug connectors with same size, polarization, and opposite contact gender
- See Section B for PCB footprints
- See page E-11 for panel cut-out dimensions
- Material / finish
 - Shell, jam-nut: CRES / per how to order table
 - Contacts, hermetic: Nickel alloy / gold plate
 - Contacts, sockets: copper alloy / gold plate
 - Hoods, sockets: 305 CRES / Passivate
 - Insulator, hermetic: full glass / N.A.
 - Insulator, socket: high-grade dielectric / N.A.
 - Seals, o-ring: fluorosilicone blend / N.A.



SERIES 801 DOUBLE-START ACME THREAD Mighty Mouse Connectors and Cables



Hermetic Box Mount PCB Receptacle with Power/Signal Contacts and Threaded Standoffs

BOX MOUNT RECEPTACLE - SHELL STYLE 02

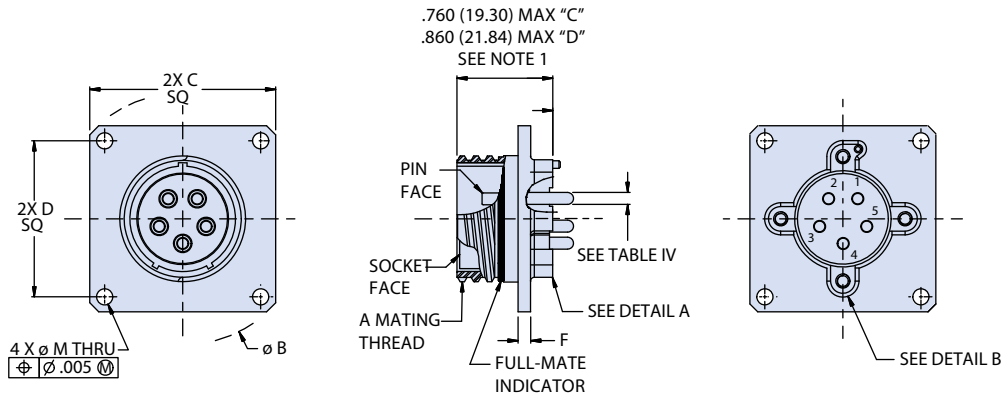
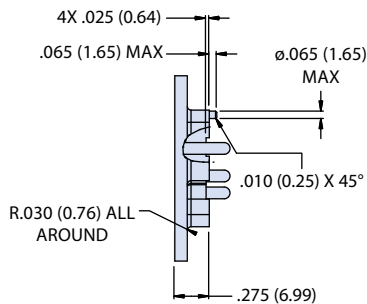
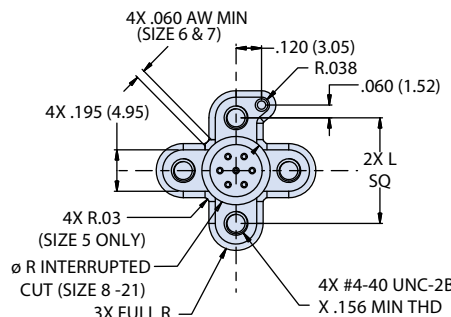


Table IV: PC Tail Diameter	
Cont. Size	Tail Dia
16	.017 (0.43) .013 (0.33)
12	.022 (0.56) .018 (0.46)



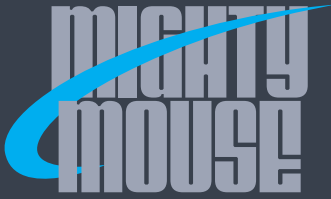
DETAIL A



DETAIL B

Dimensions								
Shell Sizes	A Thread Mating	Ø B Flange	C Sq Typ Flange Flats	D Sq Bsc Mounting Holes	F Max Flange	L Board Mounting	Ø M Thru Mtg Holes	Ø R ±.015 (0.38)
6	.3750-.05P-.1L-DS-2A	1.150 (29.21)	.850 (21.59)	.660 (16.76)	.100 (2.54)	.440 (11.18)	.096 (2.44)/ .091 (2.31)	N/A
7	.4375-.05P-.1L-DS-2A	1.230 (31.24)	.913 (23.19)	.723 (18.36)	.100 (2.54)	.515 (13.08)		N/A
8	.5000-.05P-.1L-DS-2A	1.330 (33.78)	.975 (24.76)	.785 (19.94)	.100 (2.54)	.580 (14.73)		.440 (11.18)
9	.5625-.05P-.1L-DS-2A	1.410 (35.81)	1.040 (26.42)	.848 (21.54)	.100 (2.54)	.646 (16.41)	.130 (3.30)/ .126 (3.20)	.500 (12.70)
10	.6250-.05P-.1L-DS-2A	1.500 (38.10)	1.099 (27.91)	.909 (23.09)	.100 (2.54)	.734 (18.64)		.525 (13.34)
11	.6875-.05P-.1L-DS-2A	1.590 (40.39)	1.163 (29.54)	.973 (24.71)	.100 (2.54)	.788 (20.02)		.575 (14.60)
13	.8125-.1P-.2L-DS-2A	1.750 (44.45)	1.288 (32.72)	1.058 (26.87)	.100 (2.54)	.830 (21.08)		.615 (15.62)
16	1.0000-.1P-.2L-DS-2A	2.000 (50.80)	1.475 (37.47)	1.255 (31.88)	.100 (2.54)	.896 (22.76)		.765 (19.43)
17	1.0625-.1P-.2L-DS-2A	2.094 (53.19)	1.537 (39.04)	1.327 (33.71)	.125 (3.18)	1.059 (26.90)		.835 (21.21)
19	1.1875-.1P-.2L-DS-2A	2.270 (57.66)	1.663 (42.24)	1.452 (36.88)	.125 (3.18)	1.156 (29.36)	.930 (23.62)	
21	1.3125-.1P-.2L-DS-2A	2.440 (61.98)	1.787 (45.39)	1.576 (40.03)	.125 (3.18)	1.284 (32.61)	1.065 (27.05)	

SERIES 801 DOUBLE-START MATING



SERIES 801 DOUBLE-START ACME THREAD Mighty Mouse Connectors and Cables



Hermetic Jam-Nut Mount PCB Receptacle with Power/Signal Contacts and Threaded Standoffs

JAM-NUT MOUNT RECEPTACLE - SHELL STYLE 07

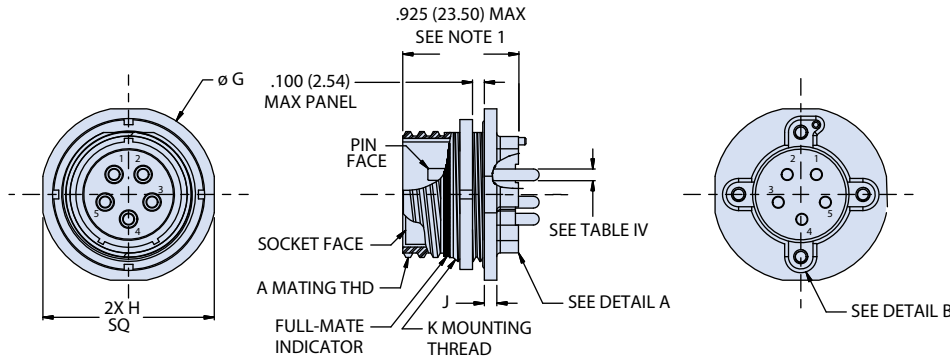
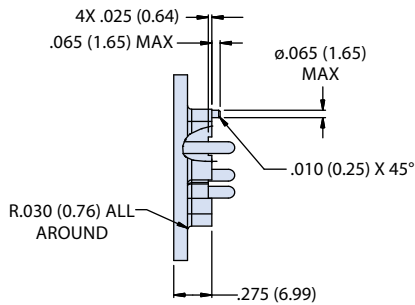
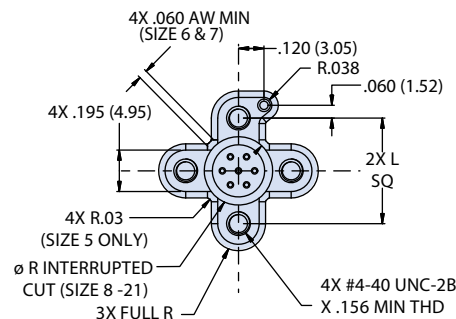


Table IV: PC Tail Diameter	
Cont. Size	Tail Dia
16	.017 (0.43)
	.013 (0.33)
12	.022 (0.56)
	.018 (0.46)



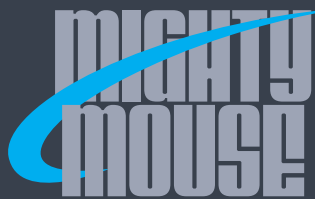
DETAIL A



DETAIL B

Dimensions							
Shell Sizes	A Thread Mating	ϕG Flange	H Sq Flange Flats	J Max Flange	K Mounting Thrd	L Board Mounting	ϕR $\pm .015$ (0.38)
6	.3750-.05P-.1L-DS-2A	.760 (19.30)	.730 (18.54)	.100 (2.54)	.4375-28 UNEF-2A	.440 (11.18)	N/A
7	.4375-.05P-.1L-DS-2A	.880 (22.35)	.850 (21.59)	.100 (2.54)	.5625-28 UN-2A	.515 (13.08)	N/A
8	.5000-.05P-.1L-DS-2A	.925 (23.50)	.895 (22.73)	.100 (2.54)	.5625-28 UN-2A	.580 (14.73)	.440 (11.18)
9	.5625-.05P-.1L-DS-2A	.955 (24.26)	.925 (23.50)	.100 (2.54)	.6250-28 UN-2A	.646 (16.41)	.500 (12.70)
10	.6250-.05P-.1L-DS-2A	1.060 (26.92)	1.035 (26.29)	.100 (2.54)	.6875-28 UN-2A	.734 (18.64)	.525 (13.34)
11	.6875-.05P-.1L-DS-2A	1.120 (28.45)	1.090 (27.69)	.100 (2.54)	.7500-28 UN-2A	.788 (20.02)	.575 (14.60)
13	.8125-.1P-.2L-DS-2A	1.203 (30.56)	1.173 (29.79)	.100 (2.54)	.8750-28 UN-2A	.830 (21.08)	.615 (15.62)
16	1.0000-.1P-.2L-DS-2A	1.389 (35.28)	1.359 (34.52)	.100 (2.54)	1.0625-20 UN-2A	.896 (22.76)	.765 (19.43)
17	1.0625-.1P-.2L-DS-2A	1.450 (36.83)	1.420 (36.07)	.128 (3.25)	1.1250-28 UN-2A	1.059 (26.90)	.835 (21.21)
19	1.1875-.1P-.2L-DS-2A	1.580 (40.13)	1.550 (39.37)	.128 (3.25)	1.2500-28 UN-2A	1.156 (29.36)	.930 (23.62)
21	1.3125-.1P-.2L-DS-2A	1.705 (43.31)	1.675 (42.55)	.128 (3.25)	1.3750-28 UN-2A	1.284 (32.61)	1.065 (27.05)

SERIES 801 DOUBLE-START MATING



SERIES 801 DOUBLE-START ACME THREAD Mighty Mouse Connectors and Cables



Hermetic Receptacle with Size 12 and 16 PC Tail Coax Contacts and Threaded Standoffs

Series 801 PC Tail Hermetic Receptacles feature double-start, modified stub, ACME mating thread for improved protection against cross-mating and thread damage. Stainless steel shells provide excellent corrosion resistance while fluorosilicone seals and o-rings offer improved immunity to harsh chemicals. 100% tested to meet 1×10^{-7} ccHe/sec @

1 atm helium leak rate. Square flange and jam-nut shell styles available. Integral standoffs for solder washout and threaded PCB mounting holes for harsh environments where high vibration and shock are a concern. PC tail contacts allow for attachment to flex or rigid circuit boards. Size 16 and 12 coax contacts and combo arrangements.

How To Order	
Sample Part Number	801-126 -07 Z1 12-5 C A -50
Series	801-126 = Board Mount PC Tail Hermetic Receptacle
Shell Style (See Table I)	-02 = Box Mount -07 = Jam-Nut, RPM
Material and Finish	Z1 = Stainless Steel / Passivated ZL = Stainless Steel / Nickel Plated
Shell Size - Insert Arrangement	See Contact Arrangements page E-7, see note 5
Contact Type	C = P.C., Termination, Pin D = P.C., Termination, Socket
P.C. Tail Length	-1 = .125 Min -2 = .250
Polarization (See Table II)	A = Normal B = Pos. B C = Pos. C D = Pos. D E = Pos. E F = Pos. F

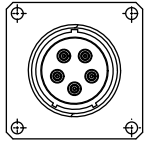
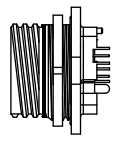
Table I: Shell Style	
	
Style -02 Square Flange	Style -07 Jam-Nut

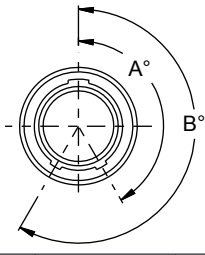
Table II: Polarization		
		
Position	A°	B°
A	150°	210°
B	75°	210°
C	95°	230°
D	140°	275°
E	75°	275°
F	95°	210°

Table III: DWV Rating	
Contact Sizes	Test Voltage
23	750 Vac
20 HD	1000 Vac
16, 12, 8	1800 Vac
16 Coax*	800 Vac
12 Coax*	1000 Vac
8 Coax*	1300 Vac
8 TWINAX**	See Below
8 QUADRAX***	

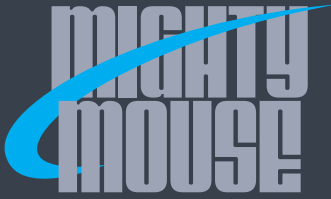
* Inner Contact to Outer Contact
 ** Inner/Intermediate: 1000 Vac
 Inter/Outer: 500 Vac
 *** Inner/Inner: 1000 Vac
 Inner/Outer: 500 Vac

NOTES

- For arrangements with #8 contacts, add .300 to overall length
- Hermeticity: 1×10^{-7} cc/sec at one atmosphere
- DWV: per table III
- Insulation resistance: 5000 megohms min at 500 VDC
- Receptacle mates with all Glenair 801 style plug connectors with same size, polarization, and opposite contact gender
- Combo arrangements are available with #16 and #12 contacts only (no #8), all #16 or #12 contacts will be coax.
- See Section B for PCB footprints
- See page E-11 for panel cut-out dimensions
- Material / finish
 - Shell, jam-nut: CRES / per how to order table
 - Contacts, hermetic: Nickel alloy / gold plate
 - Contacts, sockets: copper alloy / gold plate
 - Hoods, sockets: 305 CRES / Passivate
 - Insulator, hermetic: full glass / N.A.
 - Insulator, socket: high-grade dielectric / N.A.
 - Seals, o-ring: fluorosilicone blend / N.A

Contact Performance	
Size and Type	Frequency Max
16 Coax	700 MHz
12 Coax	2 GHz
8 Coax	1 GHz
8 Twinax	20 MHz
8 Quadrax	1GHz

SERIES 801 DOUBLE-START MATING

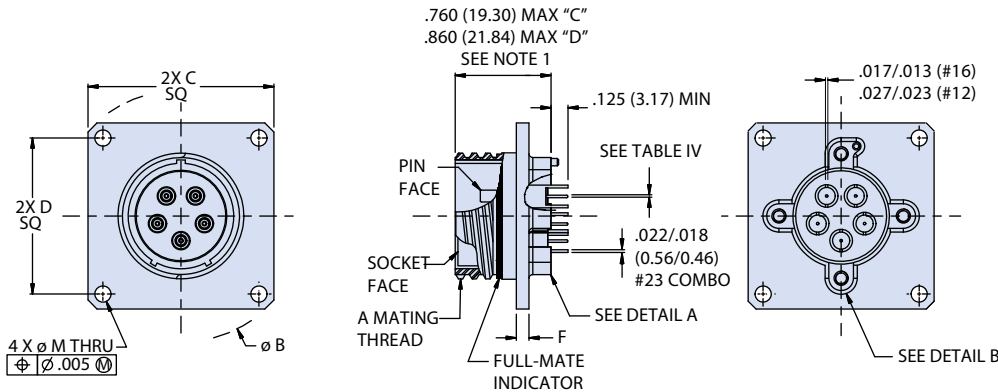


SERIES 801 DOUBLE-START ACME THREAD Mighty Mouse Connectors and Cables

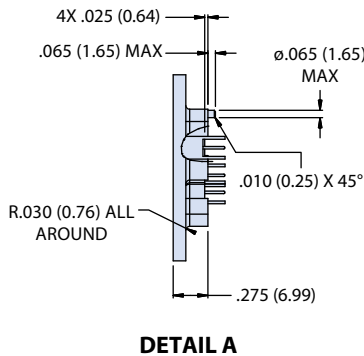


Hermetic Receptacle with Size 12 and 16 PC Tail Coax Contacts and Threaded Standoffs

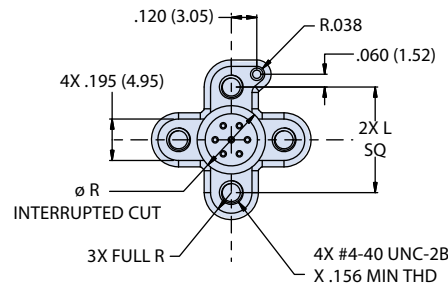
BOX MOUNT RECEPTACLE - SHELL STYLE 02



Cont. Size	Tail Dia
23	.020 (0.51)
20HD	.030 (0.76)
16	.063 (1.60)
12	.094 (2.39)
8	.180 (4.57)



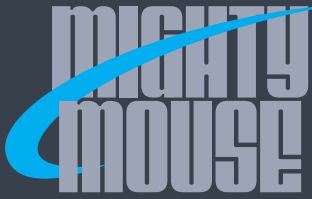
DETAIL A



DETAIL B

Dimensions								
Shell Sizes	A Thread Mating	Ø B Flange	C Sq Typ Flange Flats	D Sq Bsc Mounting Holes	F Max Flange	L Board Mounting	Ø M Thru Mtg Holes	Ø R ±.015 (0.38)
6	.3750-.05P-.1L-DS-2A	1.150 (29.21)	.850 (21.59)	.660 (16.76)	.100 (2.54)	.440 (11.18)	.096 (2.44)/ .091 (2.31)	N/A
7	.4375-.05P-.1L-DS-2A	1.230 (31.24)	.913 (23.19)	.723 (18.36)	.100 (2.54)	.515 (13.08)		N/A
8	.5000-.05P-.1L-DS-2A	1.330 (33.78)	.975 (24.76)	.785 (19.94)	.100 (2.54)	.580 (14.73)	.130 (3.30)/ .126 (3.20)	.440 (11.18)
9	.5625-.05P-.1L-DS-2A	1.410 (35.81)	1.040 (26.42)	.848 (21.54)	.100 (2.54)	.646 (16.41)		.500 (12.70)
10	.6250-.05P-.1L-DS-2A	1.500 (38.10)	1.099 (27.91)	.909 (23.09)	.100 (2.54)	.734 (18.64)		.525 (13.34)
11	.6875-.05P-.1L-DS-2A	1.590 (40.39)	1.163 (29.54)	.973 (24.71)	.100 (2.54)	.788 (20.02)		.575 (14.60)
13	.8125-.1P-.2L-DS-2A	1.750 (44.45)	1.288 (32.72)	1.058 (26.87)	.100 (2.54)	.830 (21.08)		.615 (15.62)
16	1.0000-.1P-.2L-DS-2A	2.000 (50.80)	1.475 (37.47)	1.255 (31.88)	.100 (2.54)	.896 (22.76)		.765 (19.43)
17	1.0625-.1P-.2L-DS-2A	2.094 (53.19)	1.537 (39.04)	1.327 (33.71)	.125 (3.18)	1.059 (26.90)		.835 (21.21)
19	1.1875-.1P-.2L-DS-2A	2.270 (57.66)	1.663 (42.24)	1.452 (36.88)	0.125 (3.18)	1.156 (29.36)		.930 (23.62)
21	1.3125-.1P-.2L-DS-2A	2.440 (61.98)	1.787 (45.39)	1.576 (40.03)	0.125 (3.18)	1.284 (32.61)		1.065 (27.05)

SERIES 801 DOUBLE-START MATING



Hermetic Receptacle with Size 12 and 16 PC Tail Coax Contacts and Threaded Standoffs

JAM-NUT MOUNT RECEPTACLE - SHELL STYLE 07

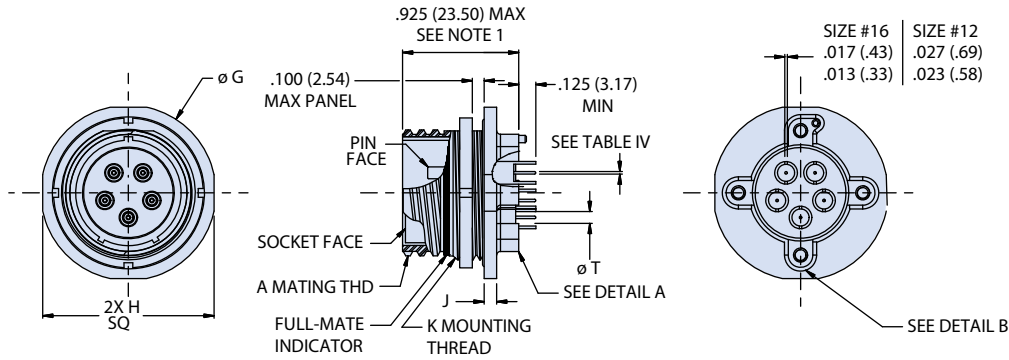
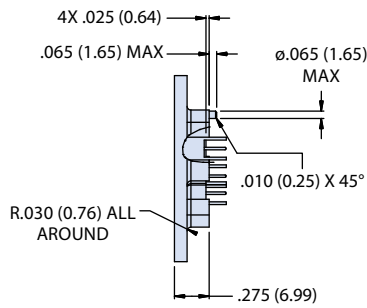
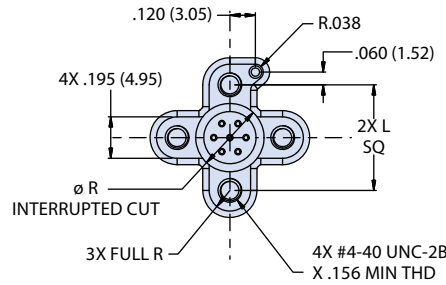


Table IV: PC Tail Diameter	
Cont. Size	Tail Dia
23	.020 (0.51)
20HD	.030 (0.76)
16	.063 (1.60)
12	.094 (2.39)
8	.180 (4.57)

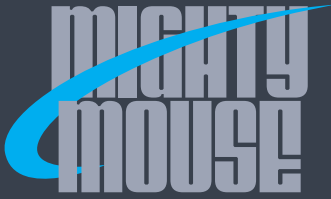


DETAIL A



DETAIL B

Dimensions							
Shell Sizes	A Thread Mating	ϕG Flange	H Sq Flange Flats	J Max Flange	KThrd Mounting	L Board Mounting	ϕR $\pm .015 (0.38)$
6	.3750-.05P-.1L-DS-2A	.760 (19.30)	.730 (18.54)	.100 (2.54)	.4375-28 UNEF-2A	.440 (11.18)	N/A
7	.4375-.05P-.1L-DS-2A	.880 (22.35)	.850 (21.59)	.100 (2.54)	.5625-28 UN-2A	.515 (13.08)	N/A
8	.5000-.05P-.1L-DS-2A	.925 (23.50)	.895 (22.73)	.100 (2.54)	.5625-28 UN-2A	.580 (14.73)	.440 (11.18)
9	.5625-.05P-.1L-DS-2A	.955 (24.26)	.925 (23.50)	.100 (2.54)	.6250-28 UN-2A	.646 (16.41)	.500 (12.70)
10	.6250-.05P-.1L-DS-2A	1.060 (26.92)	1.035 (26.29)	.100 (2.54)	.6875-28 UN-2A	.734 (18.64)	.525 (13.34)
11	.6875-.05P-.1L-DS-2A	1.120 (28.45)	1.090 (27.69)	.100 (2.54)	.7500-28 UN-2A	.788 (20.02)	.575 (14.60)
13	.8125-.1P-.2L-DS-2A	1.203 (30.56)	1.173 (29.79)	.100 (2.54)	.8750-28 UN-2A	.830 (21.08)	.615 (15.62)
16	1.0000-.1P-.2L-DS-2A	1.389 (35.28)	1.359 (34.52)	.100 (2.54)	1.0625-20 UN-2A	.896 (22.76)	.765 (19.43)
17	1.0625-.1P-.2L-DS-2A	1.450 (36.83)	1.420 (36.07)	.128 (3.25)	1.1250-28 UN-2A	1.059 (26.90)	.835 (21.21)
19	1.1875-.1P-.2L-DS-2A	1.580 (40.13)	1.550 (39.37)	0.128 (3.25)	1.2500-28 UN-2A	1.156 (29.36)	.930 (23.62)
21	1.3125-.1P-.2L-DS-2A	1.705 (43.31)	1.675 (42.55)	0.128 (3.25)	1.3750-28 UN-2A	1.284 (32.61)	1.065 (27.05)

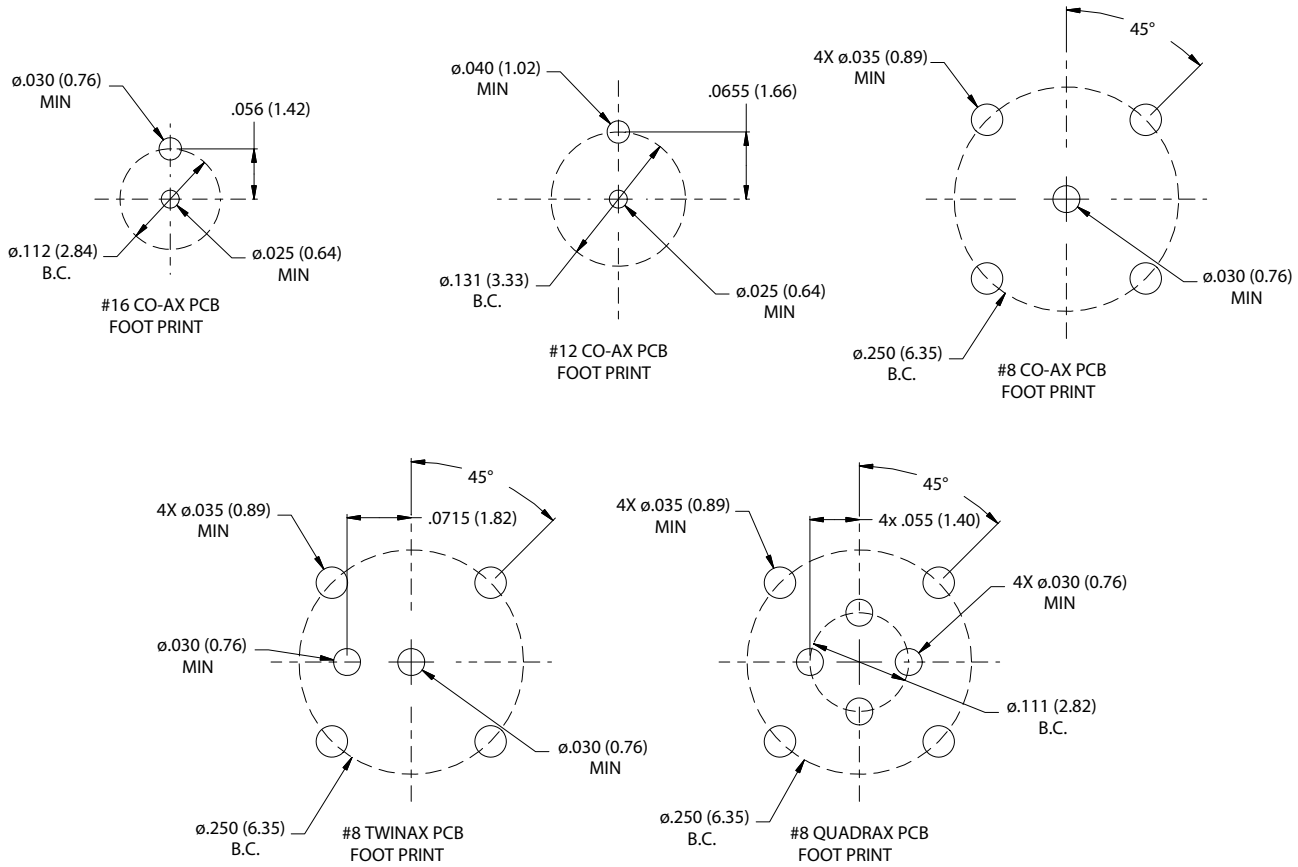


SERIES 801 DOUBLE-START ACME THREAD Mighty Mouse Connectors and Cables

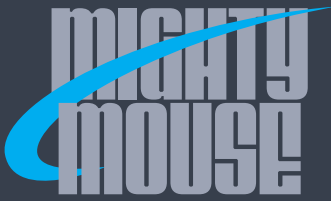


Hermetic Receptacle with Size 12 and 16 PC Tail Coax Contacts and Threaded Standoffs

PCB FOOTPRINTS



SERIES 801 DOUBLE-START MATING



SERIES 801 DOUBLE-START ACME THREAD Mighty Mouse Connectors and Cables



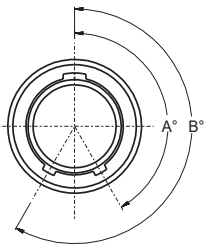
Environmental Jam-Nut Bulkhead Feed-Thru



Series 801 Bulkhead Feed-Thru provides an environmental separable connection on both sides of a mounting panel. Available in shell sizes 5 to 21 and mates with all high density plug connectors with the same polarization and opposite contact genders. Copper alloy gold-plated contacts, pin to pin, pin to socket, or socket to socket. Your choice of standard aluminum alloy or stainless steel and seven standard finishes (see below). Please contact the factory for other materials and finishes.

How To Order							
Sample Part Number	801-074	-07	M	6-7	P	P	A
Series	801-074 = Feed-Thru Receptacle						
Shell Style	-07 = Jam-Nut						
Material and Finish	M = Aluminum / Electroless Nickel MT = Aluminum / Nickel-PTFE NF = Aluminum / Cadmium with Olive Drab Chromate ZNU = Aluminum / Zinc-Nickel with Black Chromate Z1 = Stainless Steel / Passivated						
Shell Size - Insert Arrangement	See Contact Arrangements page E-7						
Contact Type Jam-Nut Side	P = Pin S = Socket Connectors with PP and SS contact styles will cause the arrangement pattern to be mirrored about the vertical centerline						
Contact Type Other Side	P = Pin S = Socket						
Polarization (See Table I)	A = Normal B = Pos. B C = Pos. C D = Pos. D E = Pos. E F = Pos.						

Table I: Keyway Positions

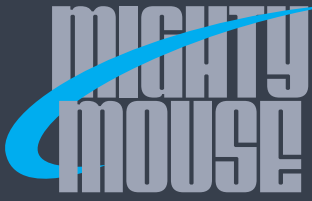


Key Position	A°	B°
A	150°	210°
B	75°	210°
C	95°	230°
D	140°	275°
E	75°	275°
F	95°	210°

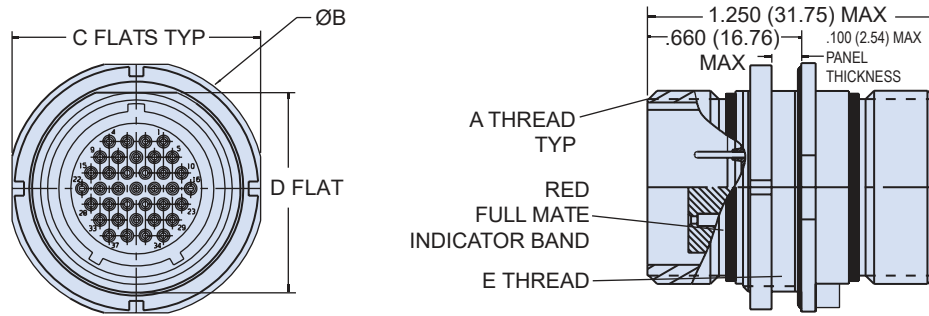
NOTES

1. Receptacle connector mates with all quick coupling high-density plug connectors with same polarization and opposite contact gender
2. Connectors with PP and SS contact styles will cause the arrangement pattern to be mirrored about the vertical centerline
3. See page E-11 for panel cut-out dimensions
4. Material/Finish
 - Shell, jam-nut: aluminum alloy or CRES
 - Contact: copper alloy / gold plate per ASTM B 488, type II, code C
 - Insulators: liquid crystal polymer / N.A.
 - Interfacial seal, O-ring, peripheral seal: Fluorosilicone / N.A.
 - Class 1.25 (.000050 minimum thickness), over a suitable underplate

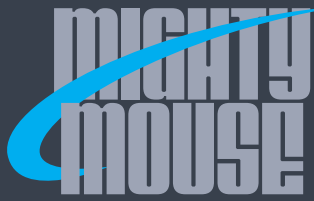
SERIES 801 DOUBLE-START MATING



JAM-NUT MOUNT RECEPTACLE - SHELL STYLE 07



Dimensions					
Shell Size	A Thread	E Thread	Ø B	C Flat	D Flat
5	.3125-.05P-.1L-2A	.3750-28 UN-2A	.575 (14.60)	.545 (13.84)	.350 (8.89)
6	.3750-.05P-.1L-2A	.4375-28 UNEF-2A	.635 (16.13)	.595 (15.11)	.410 (10.41)
7	.4375-.05P-.1L-2A	.5625-32 UN-2A	.755 (19.18)	.723 (18.36)	.536 (13.61)
8	.5000-.05P-.1L-2A	.5625-32 UN-2A	.755 (19.18)	.723 (18.36)	.536 (13.61)
9	.5625-.05P-.1L-2A	.6250-28 UN-2A	.830 (21.08)	.790 (20.07)	.596 (15.14)
10	.6250-.05P-.1L-2A	.6875-28 UN-2A	.890 (22.61)	.855 (21.72)	.658 (16.71)
11	.6875-.05P-.1L-2A	.7500-28 UN-2A	.960 (24.38)	.925 (23.50)	.718 (18.24)
13	.8125-.1P-.1L-2A	.8750-28 UN-2A	1.078 (27.38)	1.044 (26.52)	.845 (21.46)
16	1.0000-.1P-.1L-2A	1.0625-20 UN-2A	1.264 (32.11)	1.230 (31.24)	1.022 (25.96)
17	1.0625-.1P-.1L-2A	1.1250-28 UN-2A	1.325 (33.65)	1.290 (32.77)	1.096 (27.84)
19	1.0625-.1P-.1L-2A	1.2500-28 UN-2A	1.450 (36.83)	1.415 (35.94)	1.227 (31.17)
21	1.3125-.1P-.1L-2A	1.3750-28 UN-2A	1.625 (41.28)	1.577 (40.06)	1.347 (34.21)



Series 801 Hermetic Feed-thru connectors feature gold plated nickel-iron alloy contacts and compression glass dielectric material. 304L series stainless steel connector shell provides excellent corrosion protection and is suitable for e-beam welding. Fluorosilicone blend, seal and piston o-ring offer improved resistance to harsh chemicals. 100% tested to meet 1×10^{-7} ccHe/sec @ 1 atm helium leak rate. Square flange and rear panel mount jam-nut shell styles available.

How To Order									
Sample Part Number	801-121	-07	Z1	6-7	P	S	A	-01	
Series	801-121 = Hermetic Feed-thru Connector								
Shell Style (See Table I)	-02 = Square Flange Mount -07 = Jam-Nut Rear Panel Mount								
Shell Material and Finish	Z1 = Stainless Steel / Passivated ZL = Stainless Steel / Nickel Plated								
Shell Size - Insert Arrangement	See Contact Arrangements page E-7								
Contact Type	Panel Side: P = Pin S = Socket Opposite Side: P = Pin S = Socket								
Polarization (See Table II)	A = Normal D = Pos. D		B = Pos. B E = Pos. E		C = Pos. C F = Pos. F				
Panel Accommodation	-01, -02, -03, -04; See Table III								

NOTES

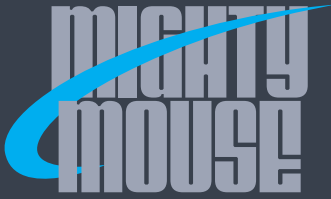
- Performance testing criteria:
 - DWV: per DWV rating table
 - IR: 5000 megohms @ 500 VDC min
 - Hermeticity: 1×10^{-7} ccHe/sec @ 1 atmosphere delta
- For pin-pin or socket-socket feedthru, power applied to one contact will result in power to the contact directly opposite regardless of contact identification.
- This connector mates with all quick-coupling high-density plug connectors having the same size, polarization, and opposite contact gender (801-001, 801-002, 801-007, 801-008)
- Additional finish option available, consult factory
- Overall lengths will increase by approximately .50" for #8 contact arrangements
- Standard arrangements with signal/power contacts only. Consult factory for special contacts (coax, quadax, thermocouples, etc.)
- See page E-11 for panel cut-out dimensions
- Material / finish
 - Shell, jam-nut - 304L CRES / finish per how to order table
 - Contacts, pin: Nickel-iron alloy / gold plate
 - Contacts, sockets: copper alloy / gold plate
 - Hoods, socket: 300 series CRES / Passivate
 - Insulator, hermetic: full glass / N.A.
 - Insulator, sockets: rigid dielectric / N.A.
 - Seals, o-ring: fluorosilicone blend / N.A

Table I: Shell Style	
-02 Square Flange	-07 Rear Panel Mount Jam-Nut

Table II: Keyway Positions		
Position	A°	B°
A	150°	210°
B	75°	210°
C	95°	230°
D	140°	275°
E	75°	275°
F	95°	210°

Table III: Panel Accommodation			
Code	K Dim, Panel	L Dim, OAL	M Dim, OAL
-01	.125 (3.18)/.062 (1.57)	1.030 (26.16)	1.280 (32.51)
-02	.250 (6.35)/.125 (3.18)	1.155 (29.34)	1.405 (35.69)
-03	.500 (12.70)/.250 (6.35)	1.405 (35.69)	1.655 (42.04)
-04	1.000 (25.40)/.500 (12.70)	1.950 (49.53)	2.175 (55.24)

DWV Rating	
Contact Sizes	Test Voltage
23	750 Vac
20 HD	1000 Vac
16, 12, 8	1800 Vac

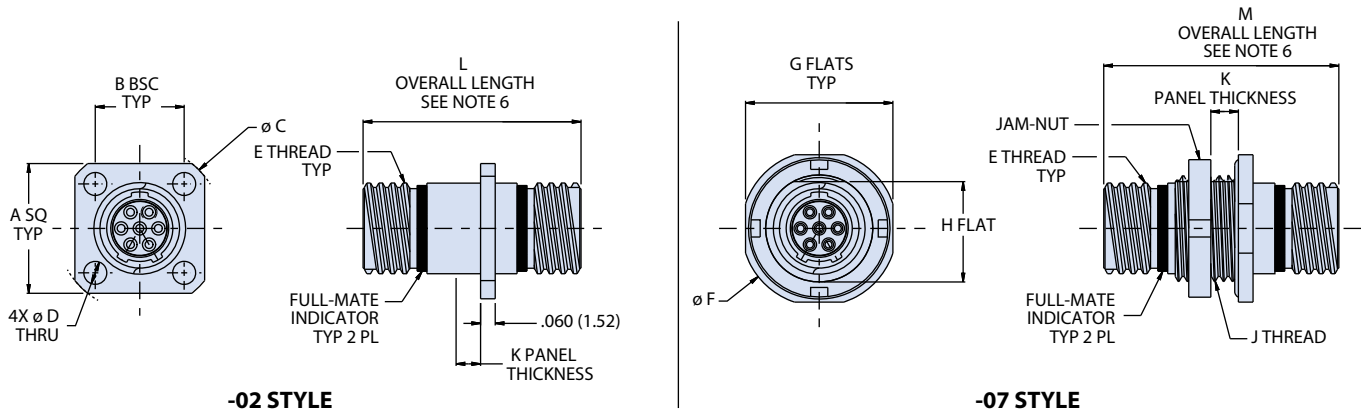


SERIES 801 DOUBLE-START ACME THREAD Mighty Mouse Connectors and Cables



Hermetic Bulkhead Feed-thru Connectors Jam-Nut and Square-Flange

JAM-NUT MOUNT AND SQUARE FLANGE MOUNT BULKHEAD FEED-THRU CONNECTORS

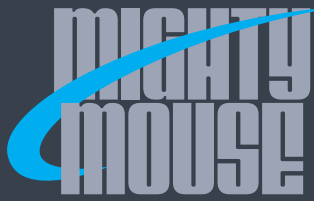


-02 STYLE

-07 STYLE

Dimensions									
Shell Size	A Sq.	B Bsc	Ø C	Ø D Thru Holes	E Thread	Ø F	G Flat	H Flat	J Thread
5	.530 (13.46)	.363 (9.22)	.680 (17.27)	.096 (2.44) .091 (2.31)	.3125-.05P-.1L-2A	.575 (14.60)	.545 (13.84)	.350 (8.89)	.3750-28 UN-2A
6	.590 (14.99)	.423 (10.74)	.750 (19.05)		.3750-.05P-.1L-2A	.635 (16.13)	.595 (15.11)	.410 (10.41)	.4375-28 UNEF-2A
7	.650 (16.51)	.483 (12.27)	.850 (21.59)		.4375-.05P-.1L-2A	.755 (19.18)	.723 (18.36)	.536 (13.61)	.5625-32 UN-2A
8	.712 (18.08)	.545 (13.84)	.938 (23.83)		.5000-.05P-.1L-2A	.755 (19.18)	.723 (18.36)	.536 (13.61)	.5625-32 UN-2A
9	.850 (21.59)	.607 (15.42)	1.125 (28.58)	.130 (3.30) .126 (3.20)	.5625-.05P-.1L-2A	.830 (21.08)	.790 (20.07)	.596 (15.14)	.6250-28 UN-2A
10	.890 (22.61)	.670 (17.02)	1.188 (30.18)		.6250-.1P-.2L-2A	.890 (22.61)	.855 (21.72)	.658 (16.71)	.6875-28 UN-2A
11	.935 (23.75)	.715 (18.16)	1.250 (31.75)		.6250-.1P-.2L-2A	.890 (22.61)	.855 (21.72)	.658 (16.71)	.6875-28 UN-2A
13	1.030 (26.16)	.812 (20.62)	1.375 (34.92)		.8125-.1P-.2L-2A	1.078 (27.38)	1.044 (26.52)	.845 (21.46)	.8750-28 UN-2A
16	1.219 (30.96)	0.981 (24.92)	1.625 (41.28)		1.000-.1P-.2L-2A	1.264 (32.11)	1.230 (31.24)	1.022 (25.96)	1.0625-20 UN-2A
17	1.280 (32.51)	1.060 (26.92)	1.700 (43.18)		1.062-.1P-.2L-2A	1.325 (33.65)	1.290 (32.77)	1.096 (27.84)	1.1250-28 UN-2A
19	1.432 (36.37)	1.191 (30.25)	1.900 (48.26)		1.187-.1P-.2L-2A	1.625 (41.28)	1.415 (35.94)	1.225 (31.12)	1.2500-28 UN-2A
21	1.565 (39.75)	1.322 (33.58)	2.100 (53.34)		1.312-.1P-.2L-2A	1.625 (41.28)	1.577 (40.06)	1.346 (34.19)	1.3750-28 UN-2A

SERIES 801 DOUBLE-START MATING



SERIES 801 DOUBLE-START ACME THREAD Mighty Mouse Connectors and Cables

Sav-Con® Connector Saver



Glenair Sav-Con® Connector Savers are designed to protect connectors that are subject to repeated mating and unmating cycles. Sav-Con® Connector Savers prevent costly repair or replacement of expensive connectors while preserving the quality and integrity of the connector by absorbing connect and disconnect abuse.

Protect Equipment. Equipment connectors that are mated frequently during manufacturing, test, check-out phases, and environmental test programs can be protected by Glenair Sav-Con® Connector Savers.

Prolong the Service Life of Test Cables. Glenair Sav-Con® Connector Savers mated to test-cable connectors take the punishment of repetitive mating and unmating connectors.

How To Order						
Sample Part Number		801-017	M	6-7	P	A
Series	801-017 = Series 801 Connector Saver					
Material and Finish	C = Aluminum / Black Anodize (Non-Conductive) M = Aluminum / Electroless Nickel NF = Aluminum / Cadmium with Olive Drab Chromate ZN = Aluminum / Zinc-Nickel with Olive Drab Chromate Z1 = Stainless Steel / Passivated					
Shell Size - Insert Arrangement	See Contact Arrangements page E-7					
Contact Type	P = Pin Contact on Plug Side, Socket Contact on Receptacle Side S = Socket Contact on Plug Side, Pin Contact on Receptacle Side					
Polarization (See Table I and II)	A = Normal B = Pos. B C = Pos. C D = Pos. D E = Pos. E F = Pos. F					

Table I: Key Positions (plug)

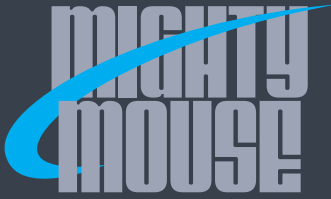
Key Position	A°	B°
A	150°	210°
B	75°	210°
C	95°	230°
D	140°	275°
E	75°	275°
F	95°	210°

Table II: Keyway Positions (receptacle)

Position	A°	B°
A	150°	210°
B	75°	210°
C	95°	230°
D	140°	275°
E	75°	275°
F	95°	210°

NOTES

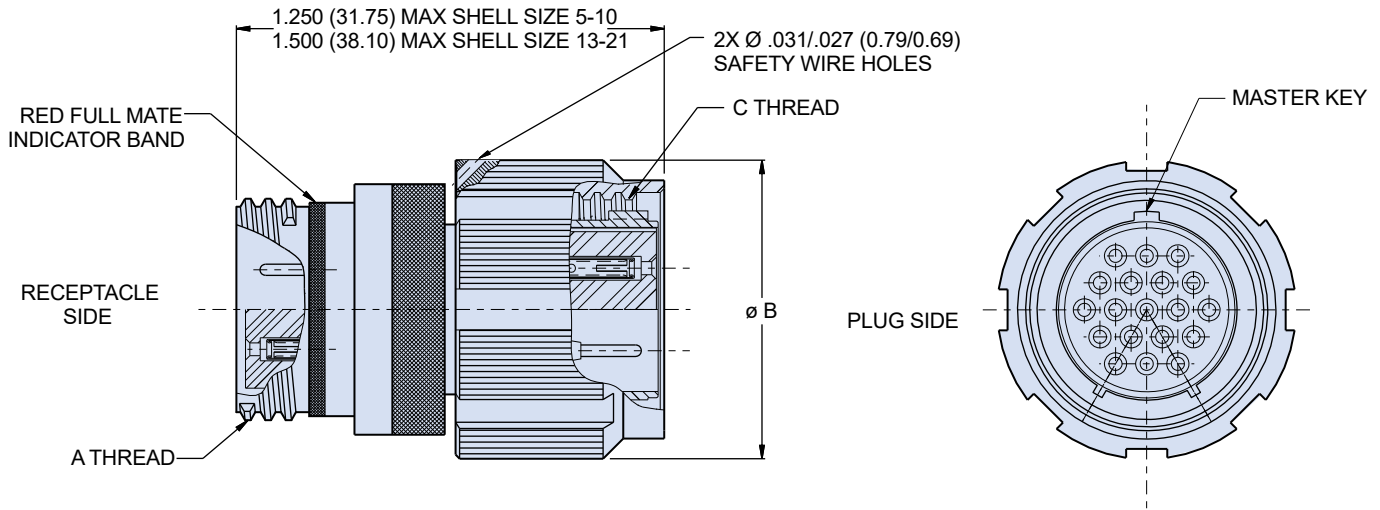
- Material / Finish
 - Shell, jam-nut: aluminum alloy or stainless steel
 - Contact: copper alloy, 50 µinch gold plated
 - Insulator: high-grade rigid dielectric
 - Seal: fluorosilicone rubber



SERIES 801 DOUBLE-START ACME THREAD
Mighty Mouse Connectors and Cables
Sav-Con® Connector Saver

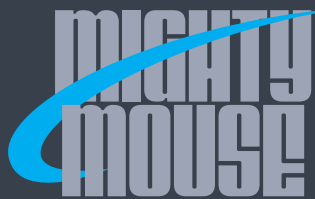


SAV-CON® CONNECTOR SAVER



Dimensions			
Shell Size	A Thread	C Thread	Ø B
5	.3125-.05P-.1L-2A	.3125-.05P-.1L-2B	.540 (13.72)
6	.375-.05P-.1L-2A	.375-.05P-.1L-2B	.600 (15.24)
7	.4375-.05P-1L-2A	.4375-.05P-1L-2B	.680 (17.27)
8	.5000-.05P-1L-2A	.5000-.05P-1L-2B	.750 (19.05)
9	.5625-.05P-.1L-2A	.5625-.05P-.1L-2B	.810 (20.57)
10	.6250-.05P-1L-2A	.6250-.05P-1L-2B	.880 (22.35)
11	.6875-.05P-1L-2A	.6875-.05P-1L-2B	.920 (23.37)
13	.8125-.1P-.2L-2A	.8125-.1P-.2L-2B	1.050 (26.67)
16	1.000-.1P-.2L-2A	1.000-.1P-.2L-2B	1.240 (31.50)
17	1.062-.1P-.2L-2A	1.062-.1P-.2L-2B	1.300 (33.02)
19	1.1875-.1P-.2L-2A	1.1875-.1P-.2L-2B	1.400 (35.56)
21	1.3125-.1p-.2L-2A	1.3125-.1P-.2L-2B	1.550 (39.37)

SERIES 801 DOUBLE-START MATING



SERIES 801 HARSH ENVIRONMENT SHIELDED CORDSETS



High performance Mighty Mouse cordsets feature easy ordering and fast delivery. These fully shielded and watertight assemblies withstand abrasion, temperature extremes and chemicals. Flexible overmolding provides rugged, watertight protection to wire and shield. Two styles are available: **Style 1** polyamide overmold and polyurethane cable jacket, and **Style 2** improved temperature range, high flexibility thermoplastic rubber overmold and cable jacket. Overmolded Mighty Mouse cordsets are suitable for military gear and other hostile environments where interconnect reliability and survivability is essential.

Product Features

- Single-ended or double-ended
- Rugged, watertight construction
- 100% electrically tested
- Flexible to -55°C. (Style 2)
- Stainless steel shield termination band
- Resistant to chemicals
- Withstands UV and ozone

Harsh Environment Cordset Selection Guide		
Property	Style 1 Polyurethane Jacket Polyamide Overmold	Style 2 Rubber Jacket Rubber Overmold
Cable jacket	Thermoplastic polyurethane (TPU), black	Thermoplastic elastomer (TPV), black
Overmold	Polyamide, black	Thermoplastic elastomer (TPV), black
Operating temperature	-30° C. to +105° C.	-55° C. to +135° C.
Flexibility	Good	Excellent
Water Resistance	Waterproof	Waterproof
Solvent Resistance, Cable Jacket	Excellent	Good
Solvent Resistance, Overmold	Fair ⁽¹⁾	Good
Weatherability	Excellent	Excellent
Abrasion Resistance	Excellent	Good
Flammability	Flame retardant UL 94 V-0	Flame retardant UL 94 HB
Low Smoke, Zero Halogen Cable Jacket	Yes	No

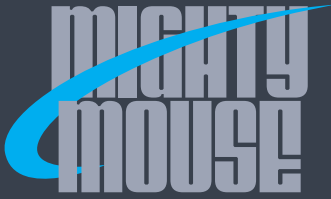
(1) Excellent resistance to most solvents, fuels, and oils; poor resistance to strong acids and bipolar solvents (alcohol)

NOTES

1. Double-ended cordsets are wired pin #1 to pin #1, #2 to #2, and so on.
2. Wires are silver-coated stranded copper with TFE insulation, 600V, in accordance with M22759/11.
3. Wire color is IAW MIL-STD-681 for cables containing 10 wires or less. For cable containing more than 10 wires, wire color is white.

Specifications	
Cable jacket	Style 1: thermoplastic polyurethane, black, low-smoke, zero-halogen Style 2: thermoplastic elastomer, black
Overmold	Style 1: polyamide Style 2: thermoplastic elastomer, black
Cable shield	Tin-coated copper braid, 90% minimum coverage
Conductors	Silver coated stranded wire, TFE insulated, per M22759/11
Shield Termination	Band-Master™ ATS stainless steel shield termination band
Current rating	#23 5 amps, #20 7.5 amps, #16 13 amps, #12 23 amps
Test voltage (DWV)	#23 500 Vac, #20 500 vac, #16 and #12 500 VAC sea level
Insulation resistance	200 Megohms minimum
Shielding effectiveness	50 dB minimum from 100MHz to 1000MHz.

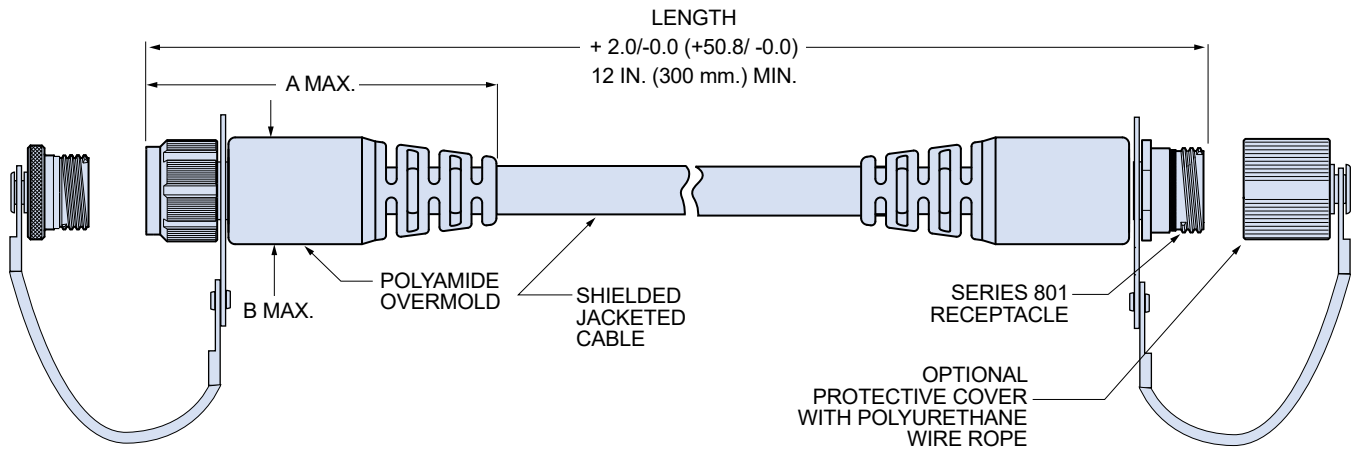
SERIES 801 DOUBLE-START MATING



SERIES 801 DOUBLE-START ACME THREAD
Mighty Mouse Connectors and Cables

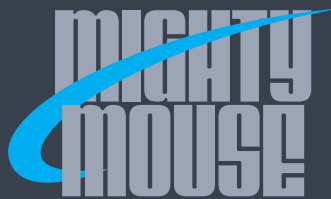


Overmolded Harsh Environment Cordsets



Dimensions				
Shell Size	A Max.		B Max.	
	In.	mm.	In.	mm.
5	2.31	58.67	0.50	12.70
6	2.4	60.96	0.55	13.97
7	2.5	63.50	0.65	16.51
8	2.52	64.01	0.71	18.03
9	2.8	71.12	0.78	19.81
10	2.75	69.85	0.82	20.83
11	2.85	72.39	0.87	22.10
13	3.1	78.74	0.90	22.86
16	3.4	86.36	1.10	27.94
17	3.4	86.36	1.20	30.48

SERIES 801 DOUBLE-START MATING



SERIES 801 DOUBLE-START ACME THREAD

Mighty Mouse Connectors and Cables

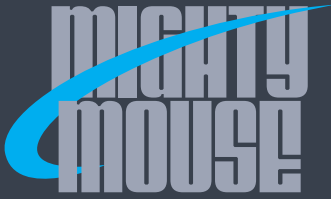


Overmolded Harsh Environment Cordsets

Series 801 Cordsets with #23 Contacts								
Sample Part Number								
801-026	-A	C	4	M	8-28	N	A	-36
Series	End A Connector	End B Connector	Wire Size	Shell Material / Finish	Insert Arr.	Protective Cover	Shell Key Pos.	Length
801-026 Style 1 Polyurethane Cable Jacket, Polyamide Overmold #23 Contacts	-A Plug, with Male Pin Contacts	A Plug, with Male Pin Contacts	2 #22 AWG	M Aluminum / Electroless Nickel	See Cont. Arr. Page E-7	P Metal Protective Covers Included N No Covers Supplied	A Normal B Pos. B C Pos. C D Pos. D E Pos. E F Pos. F See page E-11	Overall Length In Inches 12 Inch Min.
	-B Plug, with Female Socket Contacts	B Plug, with Female Socket Contacts	4 #24 AWG	NF Aluminum / Cadmium with OD Chromate	Consult Factory for Combo Arr.			
801-070 Style 2 Rubber Cable Jacket and Rubber Overmold #23 Contacts	-C Receptacle, with Male Pin Contacts	C Receptacle, with Male Pin Contacts		ZNU Aluminum / Zinc-Nickel with Black Chromate				
	-D Receptacle, with Female Socket Contacts	D Receptacle, with Female Socket Contacts		MT Aluminum / Nickel-PTFE				
		N No Connector (Single-Ended)		Z1 Stainless Steel / Passivated				

Series 801 Cordsets with #20HD Contacts								
Sample Part Number								
801-034	-A	C	0	M	8-28	N	A	-36
Series	End A Connector	End B Connector	Wire Size	Shell Material / Finish	Insert Arr.	Protective Cover	Shell Key Pos.	Length
801-034 Style 1 Polyurethane Cable Jacket, Polyamide Overmold #20HD Contacts	-A Plug, with Male Pin Contacts	A Plug, with Male Pin Contacts	0 #20 AWG	M Aluminum / Electroless Nickel	See Cont. Arr. Page E-7	P Metal Protective Covers Included N No Covers Supplied	A Normal B Pos. B C Pos. C D Pos. D E Pos. E F Pos. F See page E-11	Overall Length In Inches 12 Inch Min.
	-B Plug, with Female Socket Contacts	B Plug, with Female Socket Contacts	2 #22 AWG	NF Aluminum / Cadmium with OD Chromate	Consult Factory for Combo Arr.			
801-071 Style 2 Rubber Cable Jacket and Rubber Overmold #20HD Contacts	-C Receptacle, with Male Pin Contacts	C Receptacle, with Male Pin Contacts		ZNU Aluminum / Zinc-Nickel with Black Chromate				
	-D Receptacle, with Female Socket Contacts	D Receptacle, with Female Socket Contacts		MT Aluminum / Nickel-PTFE				
		N No Connector (Single-Ended)		Z1 Stainless Steel / Passivated				

SERIES 801 DOUBLE-START MATING



SERIES 801 DOUBLE-START ACME THREAD

Mighty Mouse Connectors and Cables

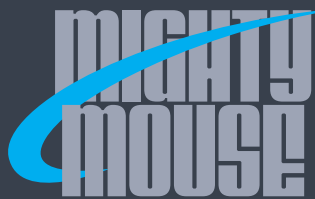


Overmolded Harsh Environment Cordsets

Series 801 Cordsets with #16 Power Contacts								
Sample Part Number								
801-031	-A	C	6	M	8-28	N	A	-36
Series	End A Connector	End B Connector	Wire Size	Shell Material / Finish	Insert Arr.	Protective Cover	Shell Key Pos.	Length
801-031 Style 1 Polyurethane Cable Jacket, Polyamide Overmold #16 contacts	-A Plug, with Male Pin Contacts	A Plug, with Male Pin Contacts	6 #16 AWG	M Aluminum / Electroless Nickel	See Cont. Arr. Page E-7	P Metal Protective Covers Included	A Normal	Overall Length In Inches 12 Inch Min.
	-B Plug, with Female Socket Contacts	B Plug, with Female Socket Contacts	8 #18 AWG	NF Aluminum / Cadmium with OD Chromate	Consult Factory for Combo Arr.	N No Covers Supplied	B Pos. B	
801-072 Style 2 Rubber Cable Jacket and Rubber Overmold #16 Contacts	-C Receptacle, with Male Pin Contacts	C Receptacle, with Male Pin Contacts		ZNU Aluminum / Zinc-Nickel with Black Chromate			C Pos. C	
	-D Receptacle, with Female Socket Contacts	D Receptacle, with Female Socket Contacts		MT Aluminum / Nickel-PTFE			D Pos. D	
		N No Connector (Single-Ended)		Z1 Stainless Steel / Passivated			E Pos. E F Pos. F	
							See page E-11	

Series 801 Cordsets with #12 Power Contacts								
Sample Part Number								
801-032	-A	C	2	M	8-28	N	A	-36
Series	End A Connector	End B Connector	Wire Size	Shell Material / Finish	Insert Arr.	Protective Cover	Shell Key Pos.	Length
801-032 Style 1 Polyurethane Cable Jacket, Polyamide Overmold #12 contacts	-A Plug, with Male Pin Contacts	A Plug, with Male Pin Contacts	2 #12 AWG	M Aluminum / Electroless Nickel	See Cont. Arr. Page E-7	P Metal Protective Covers Included	A Normal	Overall Length In Inches 12 Inch Min.
	-B Plug, with Female Socket Contacts	B Plug, with Female Socket Contacts	4 #14 AWG	NF Aluminum / Cadmium with OD Chromate	Consult Factory for Combo Arr.	N No Covers Supplied	B Pos. B	
801-073 Style 2 Rubber Cable Jacket and Rubber Overmold #12 Contacts	-C Receptacle, with Male Pin Contacts	C Receptacle, with Male Pin Contacts		ZNU Aluminum / Zinc-Nickel with Black Chromate			C Pos. C	
	-D Receptacle, with Female Socket Contacts	D Receptacle, with Female Socket Contacts		MT Aluminum / Nickel-PTFE			D Pos. D	
		N No Connector (Single-Ended)		Z1 Stainless Steel / Passivated			E Pos. E F Pos. F	
							See page E-11	

SERIES 801 DOUBLE-START MATING



SERIES 801 ULTRAFLEXIBLE PHANTOM CABLE CORDSETS



Phantom Cable cordsets feature high-flex rubber-insulated wires, lightweight shield, and overbraided jackets for maximum flexibility, reduced size and minimum weight. Flexible rubber overmold provides strain relief and environmental sealing. EMI shield options include high-strength, ultralightweight AmberStrand® nickel-coated composite braid, ArmorLite™ or lightweight, high flexibility tinned copper braid. Braid outer jackets are available with NOMEX®, HALAR® or PTFE-coated fiberglass.

Product Features

- Overbraided cable jacket for excellent flexibility
- Ultra-lightweight AmberStrand® EMI shield
- 100% electrically tested
- Flexible to -55°C.
- Stainless steel shield termination band

Braid Shield Selection Guide			
Property	AmberStrand®	ArmorLite®	Copper
Type	nickel-coated high-strength super fiber	Micro-filament nickel-coated stainless steel	Tin-coated copper
Weight/ft. (0.5 in. ID)	3.7 grams	4.4 grams	22.3 grams
Operating Temp ⁽¹⁾	-65° C to +200° C	-80° C to +260° C	-80° C to +150° C
Coverage	90% min.	90% min.	90% min.
Flexibility	Excellent	Excellent	Good
Cost Comparison	\$\$\$	\$\$	\$

(1) Rubber wires and rubber overmold are rated for -55° C to +135° C.

Jacket Selection Guide			
Property	NOMEX®	HALAR®	PTFE Coated Fiberglass
Color	Black or olive drab	Black	Tan
Operating Temp ⁽¹⁾	-55° C to +260° C	-73° C to +150° C	-75° C to +300° C
Chemical Resistance	Excellent	Excellent	Excellent
Flammability	Self-extinguishing, will not melt	Fire retardant UL VW-1	Self-extinguishing
Toxicity	Non-toxic	Non-toxic	Non-toxic
Flexibility	Excellent	Excellent	Excellent
Abrasion resistance	Excellent	Excellent	Excellent

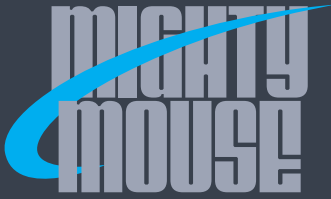
(1) Rubber wires and rubber overmold are rated for -55° C to +135° C.

Application Note

Overbraided textile jackets are ideal for applications where flexibility and weight are important. However, water can penetrate through the jacket and cable shield. Dust and contamination can also become entrapped in the braid. Braided jackets are prone to fraying damage caused by snagging on velcro closures and MOLLE vests. Extruded cable jackets are recommended if debris entrapment, moisture ingress or fraying damage are concerns.

Specifications	
Cable jacket	NOMEX®, HALAR® or PTFE-coated fiberglass
Temperature Range	-55° C to +135° C
Overmold	Thermoplastic elastomer, black
Cable shield	AmberStrand®, ArmorLite® or tinned copper, 90% minimum coverage
Conductors	Silver coated stranded wire, rubber insulation
Shield Termination	Band-Master™ ATS stainless steel shield termination band
Current rating	5 amps
Test voltage (DWV)	500 Vac
Insulation resistance	200 Megohms minimum
Shielding effectiveness	50 dB minimum from 100MHz to 1000MHz.

SERIES 801 DOUBLE-START MATING

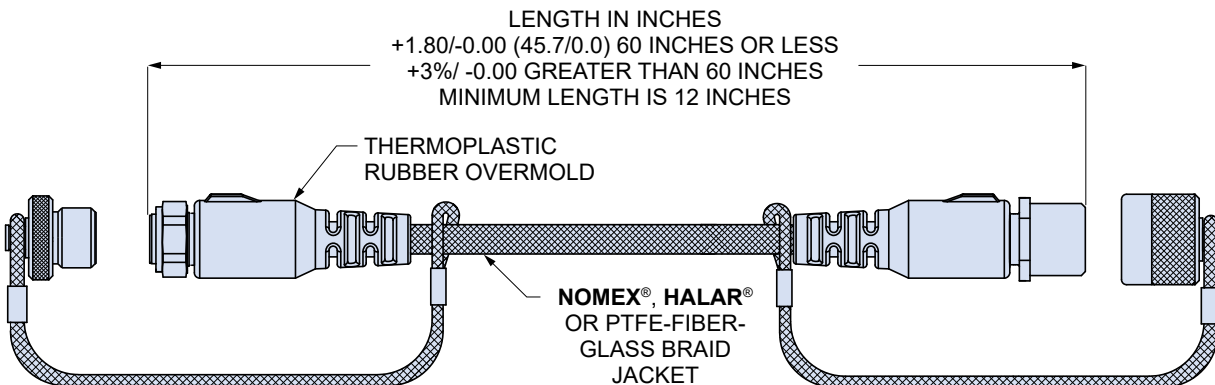


SERIES 801 DOUBLE-START ACME THREAD Mighty Mouse Connectors and Cables



Flexible, Lightweight Phantom Cable Cordsets

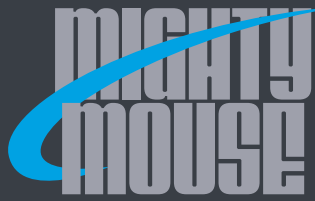
Series 801 "Phantom Cable" Cordsets size #12 thru #23 Contacts										
Sample Part Number										
801-065	-B	N	2	Z1	5-3	N	A	-60	C	N
Series	End A Connector	End B Connector	Wire Size	Shell Material/ Finish	Insert Arr.	Protective Cover	Shell Key Pos.	Length	Shield Option	Jacket Option
Size #23 Contacts 801-065 Phantom Cable Cordset	-A Plug, with Male Pin Contacts -B Plug, with Female Socket Contacts -C	A Plug, with Male Pin Contacts B Plug, with Female Socket Contacts C	Size #23 Contacts 4 #24 AWG 6 #26 AWG 8 #28 AWG	M Aluminum / Electroless Nickel NF Aluminum / Cadmium with OD Chromate ZNU	See Cont. Arr. Page E-7 Consult Factory for Combo Arr.	P Metal Protective Covers Included N No Covers Supplied	A Normal B Pos. B C Pos. C D Pos. D E Pos. E F Pos. F	Overall Length In Inches 12 Inch Min.	A AmberStrand B ArmorLite C Tin-Coated Copper	D Nomex, Olive Drab N Nomex, Black H Halar (Monofil, Black) P PTFE-Glass (Natural/ Tan)
Size #20 HD Contacts 801-066 Phantom Cable Cordset	Rec. with Male Pin Contacts -D Rec. with Female Socket Contacts	Rec. with Male Pin Contacts D Rec. with Female Socket Contacts N	Size #20 HD Contacts 0 #20 AWG 2 #22 AWG	Aluminum / Zinc-Nickel with Black Chromate MT Aluminum / Nickel-PTFE			See page E-11			
Size #16 Contacts 801-067 Phantom Cable Cordset		No Connector (Single-Ended)	Size #16 Contacts 6 #16 AWG 8 #18 AWG	Z1 Stainless Steel / Passivated						
Size #12 Contacts 801-068 Phantom Cable Cordset			Size #12 Contacts 2 #12 AWG 4 #14 AWG							



NOTES

1. Double-ended cordsets are wired pin #1 to pin #1, #2 to #2, and so on.
2. Wires are silver-coated stranded copper with TPE insulation, 600V, UL VW-1 rated.
3. Wires are white with color stripe per MIL-STD-681. Wire #1 is WHT/BLK, wire #2 is WHT/BRN, etc.

SERIES 801 DOUBLE-START MATING



SERIES 802, 3500 PSI SUBMERSIBLE AquaMouse Connectors and Cables

Product Selection Guide



	<p>Series 802 Connector features and benefits, contact arrangement layouts, panel cut-out dimensions, and key/keyway positions and polarizations.</p>	Page F-2
	<p>Series 802 Plug with Crimp Removable Contacts AquaMouse™ plugs available with integral band platform or accessory thread. Integral platform allows for direct attachment of cable shield. Select accessory threads for attachment of cable backshells. Crimp contacts are packaged with connectors. Hydrostatic pressure rating of 3500 PSI when fully mated and properly molded.</p>	Page F-10
	<p>Series 802 Receptacle with Crimp Removable Contacts Square flange receptacle with integral cable shield termination platform or accessory thread for attachment of backshells. Contacts are crimp-type and are packaged with the connector. Hydrostatic pressure rating of 3500 PSI when fully mated and properly molded.</p>	Page F-12
	<p>Series 802 O-ring Sealed Receptacle; PC Tail or Solder Cup Terminus Panel mount connectors feature O-ring seal and gold plated, factory-installed PC tail or solder cup contacts. Contacts are non-removable. Choose environmental or watertight version. Hydrostatic pressure rating of 3500 PSI when fully mated and properly molded.</p>	Page F-16
	<p>Series 802 Hermetic Receptacle with PC Tails or Solder Cups These stainless steel, glass-sealed connectors are available with rear accessory threads. Choose front panel mount jam-nut, rear panel mount jam-nut, or square flange shells. Contacts are gold plated iron alloy. 100% tested and rated to 1×10^{-7} ccHe/sec leak rate. Hydrostatic pressure rating of 3500 PSI when fully mated and properly molded.</p>	Page F-20
	<p>Series 802 Hermetic Receptacle with Band Porch, PC Tail/Solder Cups Stainless steel, glass-to-metal hermetic connectors are available with solder cup or PC tail contacts. Choose jam-nut, square flange, or weld mount versions. Contacts are gold plated iron alloy. 100% tested and rated to 1×10^{-7} ccHe/sec leak rate. Hydrostatic pressure rating of 3500 PSI when fully mated and properly molded.</p>	Page F-24
	<p>Series 802 Hermetic Receptacle with Accssy Thds, PC Tails/Solder Cup Stainless steel, glass-to-metal hermetic PCB connectors with PC tail or solder cup contacts. Select front or rear panel mount jam-nut, front panel mount square flange or weld mount shell styles. Contacts are gold plated iron alloy. 100% tested and rated than 1×10^{-7} ccHe/sec leak rate. Open face pressure rating 1000 PSI.</p>	Page F-27
	<p>Series 802 Hermetic Receptacles with Coax Contacts These stainless steel, glass-sealed connectors are available with size 12 or 16 coax contacts only. Choose front or rear panel mount jam-nut or box mount connector versions. Contacts are gold plated iron alloy. 100% tested and rated to 1×10^{-7} ccHe/sec leak rate. Open face pressure rating 1000 PSI.</p>	Page F-32
	<p>Series 802 Hermetic Bulkhead Feed-Thru These stainless steel, glass-sealed connectors are available with solder cup or PC tail contacts. Choose jam-nut, square flange, or weld mount versions. Contacts are gold plated iron alloy. 100% tested and rated to 5×10^{-8} ccHe/sec leak rate. Open face pressure rating 1,000 PSI for all shell sizes.</p>	Page F-37
	<p>Series 802 Cordsets Specify overmolded cordsets for optimum convenience and performance. Low smoke zero-halogen polyurethane offers excellent abrasion and chemical resistance. Choose polyamide overmold for medium duty low pressure applications, or select thermoset polyurethane overmold for maximum performance and 2500 PSI rating.</p>	Page F-39



SERIES 802 AquaMouse™

Glenair Series 802 AquaMouse™ Delivers High-Pressure Sealing and Rugged Design in a Miniature Package

Originally developed for petroleum pipeline inspection equipment, Series 802 connectors withstand exposure to corrosive environments and high pressure. These connectors feature high density crimp Mighty Mouse inserts, 316 stainless steel, or marine bronze shells and a “piston” O-ring for hydrostatic sealing. Gold-plated contacts accept #12-30 AWG wire. Printed circuit board receptacles are available, along with hermetic receptacles.

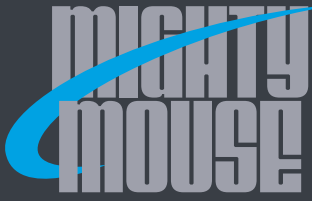
Available in ten sizes from 1 to 130 contacts, Series 802 connectors feature 316 stainless steel or marine bronze shells. Viton® O-rings resist high temperature and corrosive chemicals. Connectors withstand up to 3500 PSI hydrostatic pressure in a mated condition. Hermetic versions withstand 1000 PSI open face pressure and are rated to 1×10^{-7} ccHe per second. For hermetic applications with higher leak rate requirements add modification code **-585**. See Mod Code table for specifications.



Hermetic Leak Rate Mod Codes	
Designator	Required Leak Rate
-585A	1×10^{-10} cc Helium per second
-585B	1×10^{-9} cc Helium per second
-585C	1×10^{-8} cc Helium per second

Materials and Finishes	
Shells, Jam-nuts	316 SST, 304L SST or marine bronze
Coupling Nuts	Marine bronze, unplated
Contacts	Copper alloy, 50 µlnch gold plated, socket hood: stainless steel, passivated. Hermetic pin contacts: Nickel-Iron alloy per ASTM-F-30, 50 µlnch gold plated.
Insulators	High grade rigid dielectric
Contact Retention Clip	Beryllium copper alloy
Interfacial Seal, O-rings	Viton Rubber
Interfacial seal, rear grommet	Fluorosilicone rubber, blue
O-rings	Viton®

Specifications	
Current Rating	#23-5 A, #20-7.5 A, #16-13 A, #12-23 A
Dielectric Withstanding Voltage	#23-750 VAC, #20HD-1000VAC, #16 and #12-1800 VAC
Insulation Resistance	5000 megohms minimum
Operating Temperature	-65° C. to +175° C.
Hydrostatic Pressure	3500 PSI mated. 1000 PSI open face rated (hermetic)
Shock	300 g.
Vibration	37 g.
Durability	2000 mating cycles



SERIES 802, 3500 PSI SUBMERSIBLE AquaMouse Connectors and Cables

Contact Arrangements

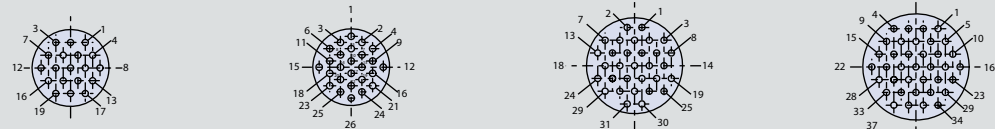
Mating Face of Pin Insert Shown



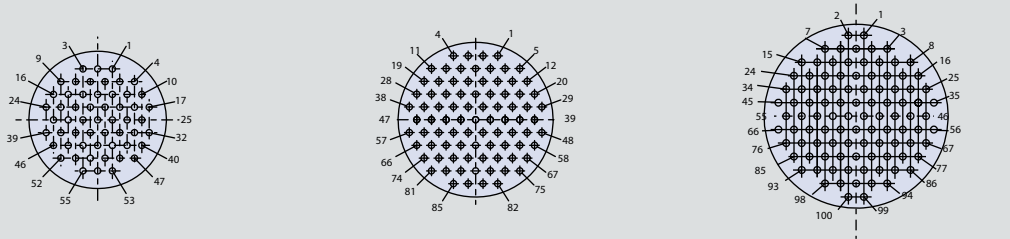
SIZE #23 CONTACTS, TESTED AT 750 VAC



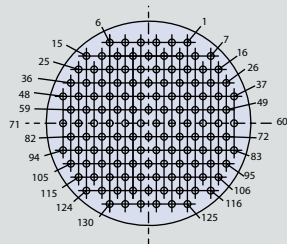
Insert Arrangement	5-3	6-4	6-6	6-7	7-10	8-13
No. of Contacts	3	4	6	7	10	13



Insert Arrangement	9-19	10-26	11-31	12-37
No. of Contacts	19	26	31	37



Insert Arrangement	14-55	15-85	19-100
No. of Contacts	55	85	100



Insert Arrangement	21-130
No. of Contacts	130

SERIES 802 AQUAMOUSE

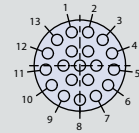
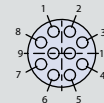


SERIES 802, 3500 PSI SUBMERSIBLE AquaMouse Connectors and Cables

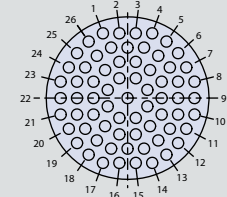
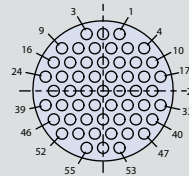
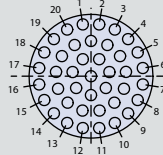
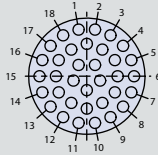


Contact Arrangements Mating Face of Pin Insert Shown

SIZE #20HD CONTACTS, TESTED AT 1000 VAC

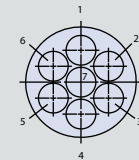
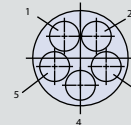
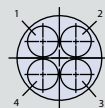


Insert Arrangement	6-23	7-25	8-28	9-210	12-220
No. of Contacts	3	5	8	10	20

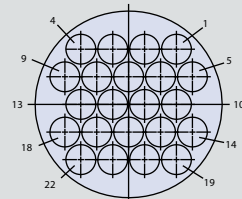
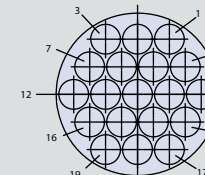
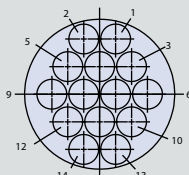
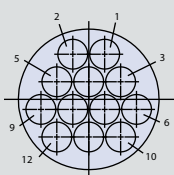


Insert Arrangement	14-235	15-241	19-255	21-269
No. of Contacts	35	41	55	69

SIZE #16 CONTACTS, TESTED AT 1800 VAC

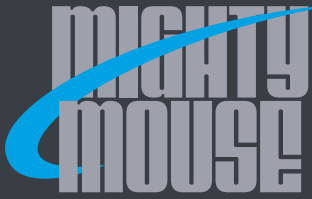


Insert Arrangement	6-1	8-2	9-4	10-5	12-7
No. of Contacts	1	2	4	5	7



Insert Arrangement	14-12	15-14	19-19	21-22
No. of Contacts	12	14	19	22

SERIES 802 AQUAMOUSE



SERIES 802, 3500 PSI SUBMERSIBLE
AquaMouse Connectors and Cables

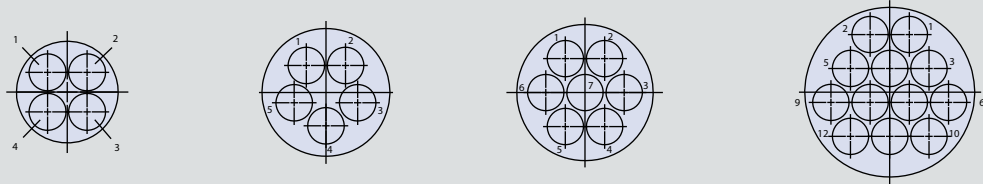


Standard Contact Arrangements
Mating Face of Pin Insert Shown

SIZE #12 CONTACTS, TESTED AT 1800 VAC

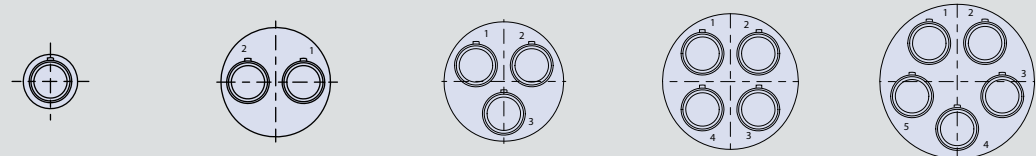


Insert Arrangement	7-1	10-2	12-2	12-3
No. of Contacts	1	2	2	3



Insert Arrangement	14-4	14-5	15-7	21-12
No. of Contacts	4	5	7	12

SIZE #8 CONTACT ARRANGEMENTS, TESTED AT 1800 VAC



Insert Arrangement	8-1	14-2	15-3	19-4	21-5
Metal Insert Arrangement	8G1	14G2	15G3	19G4	21G5
No. of Contacts	1	2	3	4	5

SERIES 802 AQUAMOUSE

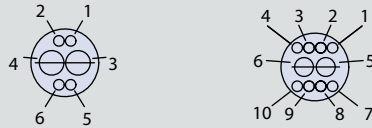


SERIES 802, 3500 PSI SUBMERSIBLE AquaMouse Connectors and Cables



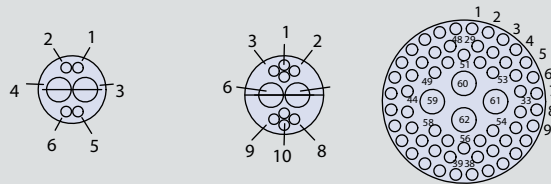
Combo Contact Arrangements Mating Face of Pin Insert Shown

SIZE #20 AND SIZE #23, COMBO CONTACT ARRANGEMENTS, TESTED AT 750 VAC



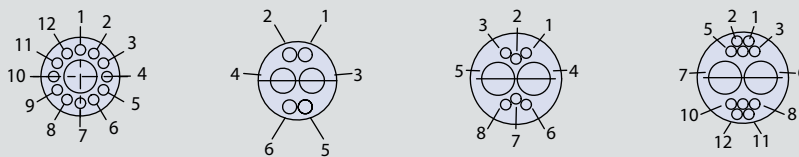
Insert Arrangement	8-200		9-201	
Contact Size	#20	#23	#20	#23
No. of Contacts	2	4	2	8

SIZE #16 AND SIZE #23, COMBO CONTACT ARRANGEMENTS, TESTED AT 750 VAC



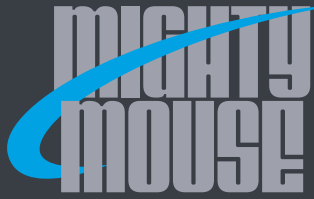
Insert Arrangement	9-200		10-202		15-206	
Contact Size	#16	#23	#16	#23	#16	#23
No. of Contacts	2	4	2	8	4	58

SIZE #12 AND SIZE #23, COMBO CONTACT ARRANGEMENTS, TESTED AT 750 VAC



Insert Arrangement	10-200		10-201		12-200		12-201	
Contact Size	#12	#23	#12	#23	#12	#23	#12	#23
No. of Contacts	1	12	2	4	2	6	2	10

SERIES 802 AQUAMOUSE

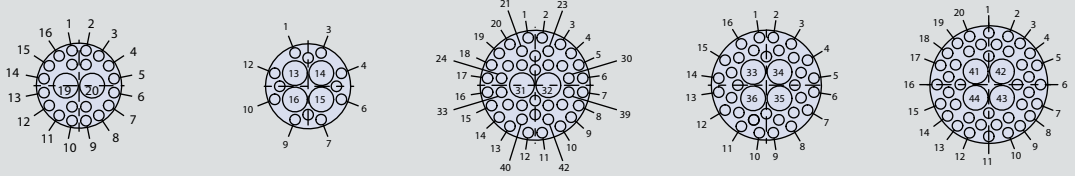


SERIES 802, 3500 PSI SUBMERSIBLE AquaMouse Connectors and Cables

Combo Contact Arrangements Mating Face of Pin Insert Shown

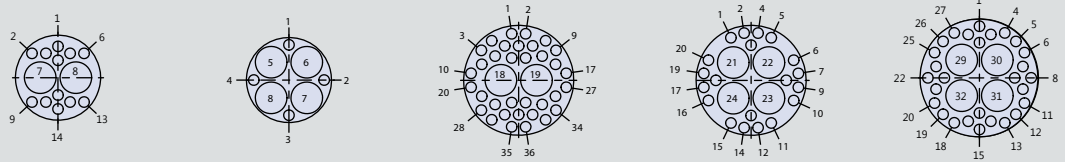


SIZE #16 AND SIZE #23, COMBO CONTACT ARRANGEMENTS, TESTED AT 1300 VAC



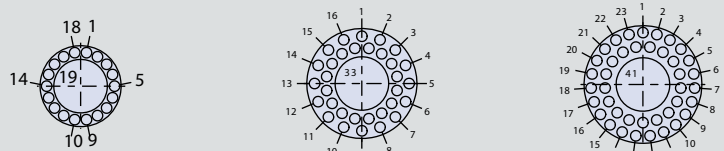
Insert Arrangement	12-202		12-203		14-204		14-205		15-203	
Contact Size	#16	#23	#16	#23	#16	#23	#16	#23	#16	#23
No. of Contacts	2	20	4	12	2	40	4	32	4	40

SIZE #12 AND SIZE #23, COMBO CONTACT ARRANGEMENTS, TESTED AT 1300 VAC

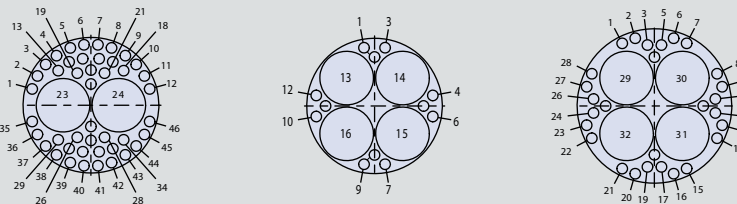


Insert Arrangement	12-204		12-205		14-206		14-207		15-204	
Contact Size	#12	#23	#12	#23	#12	#23	#12	#23	#12	#23
No. of Contacts	2	12	4	4	2	34	4	20	4	28

SIZE #8 AND SIZE #23, COMBO CONTACT ARRANGEMENTS, TESTED AT 1300 VAC



Insert Arrangement	11-201		14-208		15-205	
Contact Size	#8	#23	#8	#23	#8	#23
No. of Contacts	1	18	1	32	1	40



Insert Arrangement	19-201		19-202		21-200	
Contact Size	#8	#23	#8	#23	#8	#23
No. of Contacts	2	44	4	12	4	28

SERIES 802 AQUAMOUSE

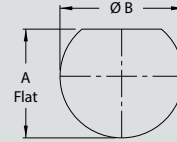
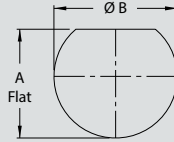
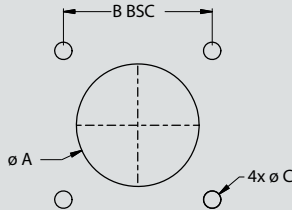


SERIES 802, 3500 PSI SUBMERSIBLE AquaMouse Connectors and Cables

Panel Mount Dimensions



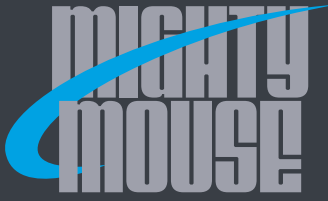
PANEL CUT-OUT DIMENSIONS



Flange Mount Connectors			
Shell Size	ø A	B BSC	ø C
5	.332 (8.43)	.500 (12.70)	.125 (3.18)
6	.389 (9.88)	.625 (15.88)	.125 (3.18)
7	.515 (13.08)	.688 (17.48)	.125 (3.18)
8	.567 (14.40)	.745 (18.92)	.125 (3.18)
9	.639 (16.23)	.812 (20.62)	.125 (3.18)
10	.694 (17.63)	.875 (22.23)	.125 (3.18)
12	.770 (19.56)	.938 (23.83)	.125 (3.18)
14	.9415 (23.91)	1.125 (28.58)	.125 (3.18)
15	1.020 (25.91)	1.188 (30.18)	.125 (3.18)

Rear Panel Mount Connectors		
Shell Size	A Flat	ø B
5	.475 (12.07)	.510 (12.95)
	.471 (11.96)	.505 (12.83)
6	.605 (15.37)	.635 (16.13)
	.601 (15.27)	.630 (16.00)
7	.664 (16.87)	.698 (17.73)
	.660 (16.76)	.693 (17.60)
8	.737 (18.72)	.760 (19.30)
	.733 (18.62)	.755 (19.18)
9	.786 (19.96)	.822 (20.88)
	.782 (19.86)	.817 (20.75)
10	.837 (21.26)	.885 (22.48)
	.833 (21.16)	.880 (22.35)
12	.901 (22.89)	.948 (24.08)
	.897 (22.78)	.943 (23.95)
14	1.087 (27.61)	1.135 (28.83)
	1.083 (27.51)	1.130 (28.70)
15	1.157 (29.39)	1.198 (30.43)
	1.153 (29.29)	1.193 (30.30)

Front Panel Mount Connectors		
Shell Size	A Flat	ø B
5	.299 (7.59)	.322 (8.18)
	.295 (7.49)	.317 (8.05)
6	.416 (10.57)	.448 (11.38)
	.412 (10.46)	.443 (11.25)
7	.479 (12.17)	.510 (12.95)
	.475 (12.07)	.505 (12.83)
8	.541 (13.74)	.572 (14.53)
	.537 (13.64)	.567 (14.40)
9	.604 (15.34)	.635 (16.13)
	.600 (15.24)	.630 (16.00)
10	.660 (16.76)	.698 (17.73)
	.656 (16.66)	.693 (17.60)
12	.728 (18.49)	.760 (19.30)
	.724 (18.39)	.755 (19.18)
14	.903 (22.94)	.948 (24.08)
	.899 (22.83)	.943 (23.95)
15	.965 (24.51)	1.010 (25.65)
	.961 (24.41)	1.005 (25.53)



SERIES 802, 3500 PSI SUBMERSIBLE
AquaMouse Connectors and Cables
 Key and Keyway Positions



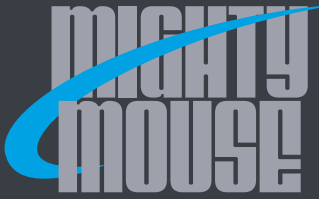
POLARIZATIONS AND PANEL MOUNT DIMENSIONS

Series 802 Plug Key Positions

Key Position	Key Rotation	
	A°	B°
A (Normal)	150°	210°
B	75°	210°
C	95°	230°
D	140°	275°
E	75°	275°
F	9°	210°

Series 802 Receptacle Keyway Positions

Key Position	Key Rotation	
	A°	B°
A (Normal)	150°	210°
B	75°	210°
C	95°	230°
D	140°	275°
E	75°	275°
F	95°	210°



SERIES 802, 3500 PSI SUBMERSIBLE AquaMouse Connectors and Cables



Plug with Integral Banding Porch or Accessory Threads and Crimp Removable Contacts



Stainless Steel or **Marine Bronze Shell** withstands corrosion in the most hostile environments. Rated for 3500 PSI when mated, these connectors are suitable for the most demanding geophysical and underwater applications.

Gold-Plated Contacts attach to wire with standard mil spec crimp tools. Contacts are packaged with connectors.

Two Series: Integral platform for direct shield attachment using Band-Master™ ATS termination system, or accessory thread for attaching accessories.

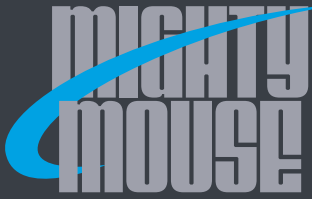
How To Order						
Sample Part Number	802-009	-06	Z1	9-19	S	A
Series (See Table I)	802-008 = Plug with Band and Molding Platform 802-009 = Plug with Accessory Thread					
Shell Style	-06 = Plug					
Shell Material and Finish	Z1 = Stainless Steel / Passivated ZM = Stainless Steel / Electroless Nickel Plated AB = Marine Bronze					
Shell Size - Insert Arrangement	See Contact Arrangements page F-3					
Contact Type	Connector supplied with contacts P = Pin S = Socket Connectors with contacts are supplied with crimp contacts. Contacts not installed. For coaxial contacts order contacts separately and request connector without contacts		Connector supplied without contacts A = Pin Connector, less contacts B = Socket Connector, less contacts			
Polarization (See Table II)	A = Normal B = Pos. B C = Pos. C D = Pos. D E = Pos. E F = Pos. F					

Table I: Connector Series	
<p>802-008 Hex Plug with Banding or Molding Platform</p>	<p>802-009 Hex Plug with Accessory Thread</p>

Table II: Key Positions		
Key Position	Key Rotation	
	A°	B°
A Normal	150°	210°
B	75°	210°
C	95°	230°
D	140°	275°
E	75°	275°
F	95°	210°

NOTES

- Contacts are crimp type, and are used in a rear release retention system Crimp Barrel accommodates 22, 24, 26, and 28 gage wire
- Crimp tool data:
 - Crimp frame: M22520/2-01
 - Positioner: Glenair part no. 809-005
 - Insertion tool: Glenair P/N 809-088
 - Extraction tool: Glenair P/N 809-088
- Mates to 802 series receptacle
- Performance capabilities:
 - Current rating: 5 amp max
 - Contact voltage drop: 70 millivolts max at 5 amps, 25°C
 - Hydrostatic pressure rating: 3500 PSI fully mated and properly molded
 - Insulation resistance: 5,000 megohms minimum
 - DWV: 500 VAC
 - Electrical safety limits to be set by user. Peak voltages, switching surges, transients etc. should be used to determine safe application
- Material/finish
 - Plug Barrel: SST / see How to Order table
 - Coupling nut: nickel-aluminum-bronze/ degrease
 - Insulator: High Grade Rigid Dielectric
 - Interfacial seal, grommet seal: fluorosilicone.
 - Contact: Copper alloy / gold plate per ASTM B 488, Type II, Code C, Class 1.25, over suitable underplate

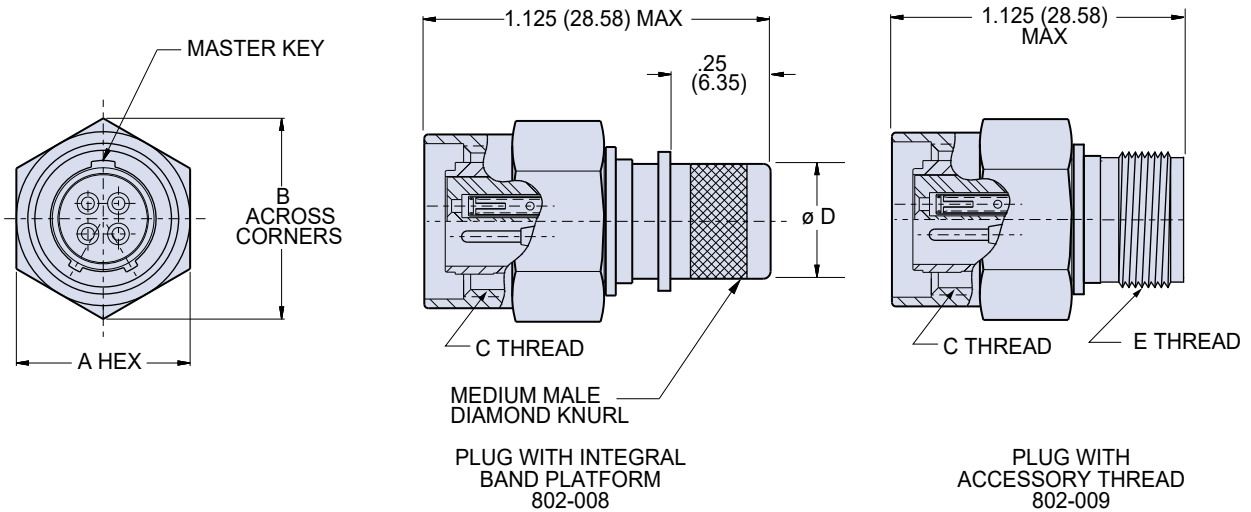


SERIES 802, 3500 PSI SUBMERSIBLE
AquaMouse Connectors and Cables



Plug with Integral Banding Porch or Accessory
Threads and Removable Crimp Contacts

PLUG CONNECTOR WITH INTEGRAL BAND PORCH OR ACCESSORY THREAD - SHELL STYLE 06



Dimensions					
Shell Size	A Hex	B.	C Thread	Ø D	E Threads Accessory
5	.500 (12.70)	.56 (14.22)	.438-28 UNEF	.232 (5.89)	.2500-32 UNEF
6	.625 (15.88)	.72 (18.29)	.562-20 UN	.312 (7.92)	.3125-32 UNEF
7	.688 (17.48)	.78 (19.81)	.625-20 UN	.375 (9.52)	.4375-28 UNEF
8	.750 (19.05)	.86 (21.84)	.687-20 UN	.438 (11.13)	.5000-28 UNEF
9	.812 (20.62)	.93 (23.62)	.750-20 UNEF	.500 (12.70)	.5625-24 UNEF
10	.875 (22.23)	1.00 (25.40)	.812-20 UNEF	.562 (14.27)	.6250-24 UNEF
12	.938 (23.83)	1.06 (26.92)	.875-20 UNEF	.656 (16.66)	.6875-24 UNEF
14	1.125 (28.58)	1.25 (31.75)	1.062-20 UN	.812 (20.62)	.8750-20 UNEF
15	1.188 (30.18)	1.32 (33.53)	1.125-20 UN	.885 (22.48)	.9375-20 UNEF
21	1.562 (39.67)	1.70 (43.18)	1.438-20 un	1.188 (30.18)	1.250-18 UNEF

SERIES 802 AQUAMOUSE



SERIES 802, 3500 PSI SUBMERSIBLE AquaMouse Connectors and Cables



Receptacle with Crimp Removable Contacts and Integral Banding Porch or Accessory Threads

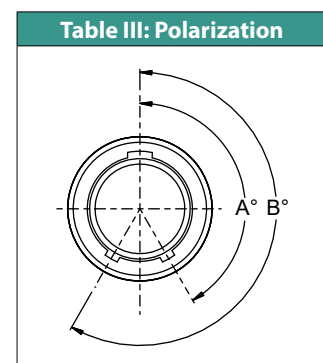


Series 802 Receptacles feature rear release crimp contacts. Shells are machined from stainless steel in jam-nut, square flange, or in-line shell styles. Choose the integral band platform for direct attachment of a cable shield or select accessory thread option to attach backshells. Hydrostatic pressure rated for 3500 PSI when fully mated. These connectors are suitable for the shallow water applications.

How To Order												
Sample Part Number	802-011	-02	Z1	10-26	P	B						
Series (See Table I)	802-010 = Receptacle with Banding Platform 802-011 = Receptacle with Accessory Thread											
Shell Style (See Table II)	-01 = In-Line -02 = Square Flange, Front Panel Mount -07 = Jam-nut, Rear Panel Mount											
Shell Material and Finish	Z1 = Stainless Steel/Passivated ZM = Stainless Steel/Electroless Nickel Plated AB = Marine Bronze/Unplated											
Shell Size - Insert Arrangement	See Contact Arrangements page F-3											
Contact Type	<table border="0"> <tr> <td>Connector supplied with contacts</td> <td>Connector supplied without contacts</td> </tr> <tr> <td>P = Pin</td> <td>A = Pin Connector, less contacts</td> </tr> <tr> <td>S = Socket</td> <td>B = Socket Connector, less contacts</td> </tr> </table> <p>Connectors with contacts are supplied with crimp contacts. Contacts not installed. For coaxial contacts order contacts separately and request pin/skt connector less contacts</p>						Connector supplied with contacts	Connector supplied without contacts	P = Pin	A = Pin Connector, less contacts	S = Socket	B = Socket Connector, less contacts
Connector supplied with contacts	Connector supplied without contacts											
P = Pin	A = Pin Connector, less contacts											
S = Socket	B = Socket Connector, less contacts											
Polarization(See Table III)	A = Normal B = Pos. B C = Pos. C D = Pos. D E = Pos. E F = Pos. F											

Table I: Connector Series	
802-010 Receptacle with Banding Platform	802-011 Receptacle with Accessory Thread

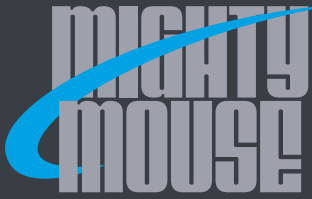
Table II: Shell Style		
-01 In-Line	-02 Square Flange, Front Panel Mount	-07 Jam-nut, Rear Panel Mount



Key Position	A°	B°
A (Normal)	150°	210°
B	75°	210°
C	95°	230°
D	140°	275°
E	75°	275°
F	95°	210°

NOTES

- Grommet protrudes for power/combo/#8 arrangements.
- Crimp contacts used in a rear release retention system
- Receptacle mates with all 802 series plug connectors with same polarization and opposite contact gender
- Hydrostatic pressure rating: 3500 PSI fully mated and properly molded
- Electrical safety limits to be set by user peak voltages, switching surges, transients etc. should be used to determine safe application
- Parker O-ring compound V709-90 or equivalent
- For all insert arrangements with size #8 contacts, add .364" to overall length
- See page F-8 for panel cut-out dimensions
- Material/finish
 - Shell: SST / see How to Order table
 - Insulator: liquid crystal polymer / N.A.
 - Interfacial seal: fluorosilicone / N.A.
 - Contact: Copper alloy / gold plate
 - O-ring: Viton 90 shore / N.A.

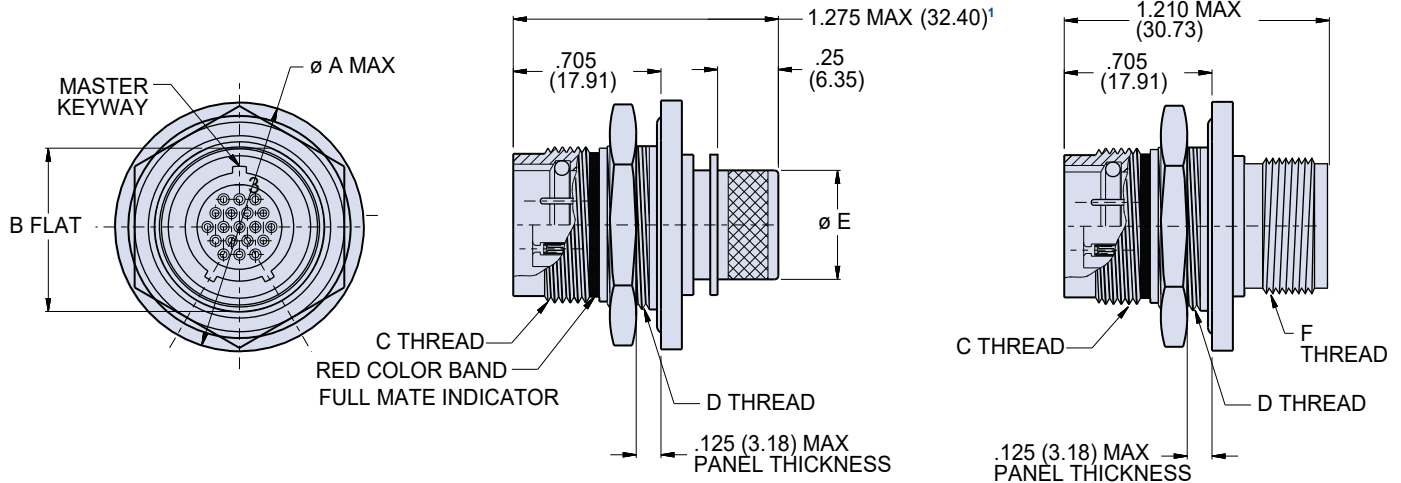


SERIES 802, 3500 PSI SUBMERSIBLE AquaMouse Connectors and Cables



Receptacle with Crimp Removable Contacts and Integral Banding Porch or Accessory Threads

JAM-NUT, REAR PANEL MOUNT - SHELL STYLE 07



Integral Band Platform
802-010

Accessory Thread
802-011

Dimensions						
Shell Size	A Max.	B Flat	C Thread	D Thread	Ø E	F Thread
5	.885 (22.48)	.469 (11.91) .463 (11.76)	.4375-28 UNEF	.5000-32 UN-2A	.232 (5.89)	.2500-32 UNEF-2A
6	1.010 (25.65)	.594 (15.09) .588 (14.94)	.5625-20 UN	.6250-28 UN-2A	.312 (7.92)	.3125-32 UNEF-2A
7	1.072 (27.23)	.656 (16.66) .650 (16.51)	.6250-20 UN	.6875-28 UN-2A	.375 (9.52)	.4375-28 UNEF-2A
8	1.135 (28.83)	.729 (18.52) .725 (18.42)	.6875-20 UN	.7500-28 UN-2A	.438 (11.13)	.5000-28 UNEF-2A
9	1.195 (30.35)	.781 (19.84) .775 (19.68)	.7500-20 UNEF	.8125-28 UN-2A	.500 (12.70)	.5625-24 UNEF-2A
10	1.260 (32.00)	.830 (21.08) .824 (20.93)	.8125-20 UNEF	.8750-28 UN-2A	.562 (14.27)	.6250-24 UNEF-2A
12	1.322 (33.58)	.893 (22.68) .887 (22.53)	.8750-20 UNEF	.9375-28 UN-2A	.656 (16.66)	.6875-24 UNEF-2A
14	1.510 (38.35)	1.080 (27.43) 1.074 (27.28)	1.0625-20 UN	1.1250-28 UN-2A	.812 (20.62)	.8750-20 UNEF-2A
15	1.572 (39.93)	1.143 (29.03) 1.137 (28.88)	1.1250-20 UN	1.1875-28 UN-2A	.885 (22.48)	.9375-20 UNEF-2A
21	1.940 (49.28)	1.467 (37.26) 1.463 (37.16)	1.4375-20 UN	1.5000-28 UN-2A	1.188 (30.18)	1.2500-20 UNEF-2A

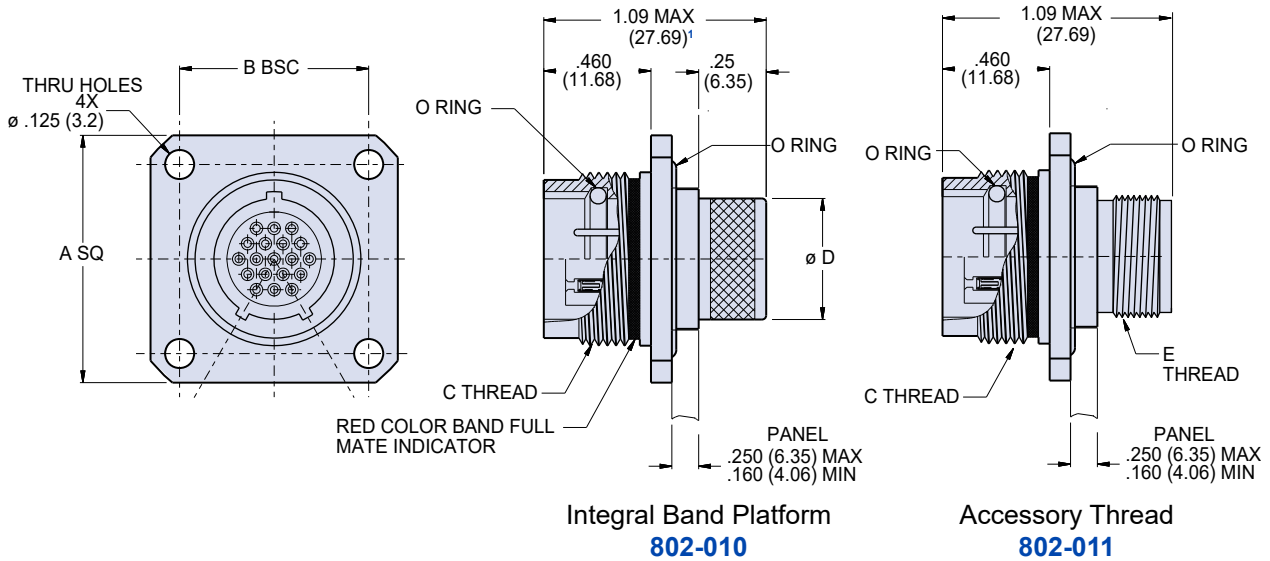


SERIES 802, 3500 PSI SUBMERSIBLE AquaMouse Connectors and Cables



Receptacle with Crimp Removable Contacts and Integral Banding Porch or Accessory Threads

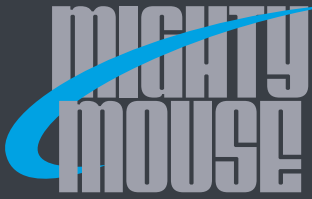
SQUARE FLANGE, FRONT PANEL MOUNT RECEPTACLE - SHELL STYLE 02



Dimensions						
Shell Size	A Square	B Bsc.	C Mating Threads	ϕD	E Accessory Threads	ϕF
5	.885 (22.48)	.500 (12.70)	.4375-28 UNEF	.232 (5.89)	.250-32 UNEF-2A	.327 (8.31)
6	1.010 (25.65)	.625 (15.88)	.5625-20 UN	.312 (7.92)	.312-32 UNEF-2A	.390 (9.91)
7	1.072 (27.23)	.688 (17.48)	.6250-20 UN	.375 (9.52)	.438-28 UNEF-2A	.515 (13.08)
8	1.135 (28.83)	.750 (19.05)	.6875-20 UN	.438 (11.13)	.500-28 UNEF-2A	.577 (14.66)
9	1.195 (30.35)	.812 (20.62)	.7500-20 UNEF	.500 (12.70)	.562-24 UNEF-2A	.640 (16.26)
10	1.260 (32.00)	.875 (22.23)	.8125-20 UNEF	.562 (14.27)	.625-24 UNEF-2A	.702 (17.83)
12	1.323 (33.60)	.938 (23.83)	.8750-20 UNEF	.656 (16.66)	.688-24 UNEF-2A	.765 (19.43)
14	1.510 (38.35)	1.125 (28.58)	1.0625-20 UN	.812 (20.62)	.875-20 UNEF-2A	.953 (24.21)
15	1.573 (39.95)	1.188 (30.18)	1.1250-20 UN	.885 (22.48)	.938-20 UNEF-2A	1.015 (25.78)
21	1.750 (44.45)	1.375 (34.92)	1.4375-20 UN	1.188 (30.18)	1.250-20 UNEF-2A	1.312 (33.32)

Piston O-ring replacement	
Shell size	Flange Style 02 O-ring P/N
5	2-012
6	2-014
7	2-015
8	2-016
9	2-017
10	2-018
12	2-019
14	2-022
15	2-023
21	2-028

SERIES 802 AQUAMOUSE

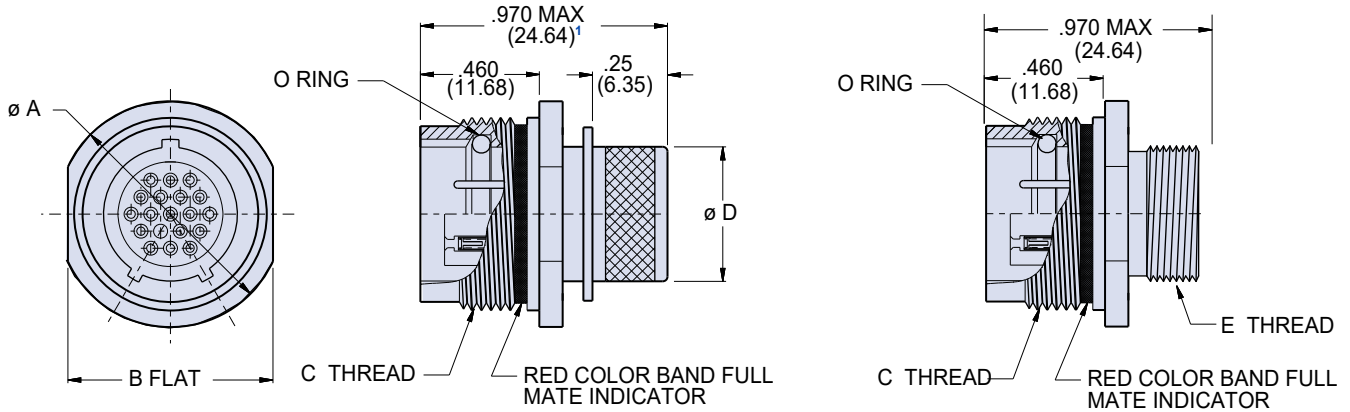


SERIES 802, 3500 PSI SUBMERSIBLE AquaMouse Connectors and Cables



Receptacle with Crimp Removable Contacts and Integral Banding Porch or Accessory Threads

IN-LINE RECEPTACLE - SHELL STYLE 01



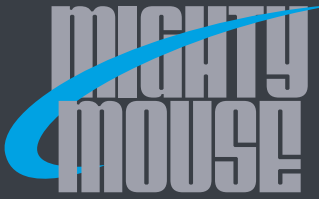
Integral Band Platform
802-010

Accessory Thread
802-011

Dimensions					
Shell Size	$\varnothing A$	B Flats	C Mating Threads	$\varnothing D$	E Accessory Threads
5	.560 (14.22)	.500 (12.70)	.4375-28 UNEF	.232 (5.89)	.250-32 UNEF-2A
6	.720 (18.29)	.625 (15.88)	.5625-20 UN	.312 (7.92)	.312-32 UNEF-2A
7	.780 (19.81)	.688 (17.48)	.6250-20 UN	.375 (9.52)	.438-28 UNEF-2A
8	.860 (21.84)	.750 (19.05)	.6875-20 UN	.438 (11.13)	.500-28 UNEF-2A
9	.930 (23.62)	.812 (20.62)	.7500-20 UNEF	.500 (12.70)	.562-24 UNEF-2A
10	1.000 (25.40)	.875 (22.23)	.8125-20 UNEF	.562 (14.27)	.625-24 UNEF-2A
12	1.060 (26.92)	.938 (23.83)	.8750-20 UNEF	.656 (16.66)	.688-24 UNEF-2A
14	1.250 (31.75)	1.125 (28.58)	1.0625-20 UN	.812 (20.62)	.875-20 UNEF-2A
15	1.320 (33.53)	1.188 (30.18)	1.1250-20 UN	.885 (22.48)	.938-20 UNEF-2A
21	1.690 (42.93)	1.562 (39.67)	1.4375-20 UN	1.188 (30.18)	1.250-20 UNEF-2A

Piston O-ring replacement	
Shell size	Piston O-ring P/N
5	2-009
6	5-052
7	5-012
8	5-212
9	2-014
10	2-015
12	2-016
14	2-019
15	2-020
21	2-023

SERIES 802 AQUAMOUSE



SERIES 802, 3500 PSI SUBMERSIBLE AquaMouse Connectors and Cables



PCB Board Mount Receptacles with PC Tail or Solder Cup Termination



Environmental, PCB Receptacle 802-012 connectors feature solder cup or PC tail termination for PCB board mount applications. Contacts are non-removable. Connectors are backfilled with epoxy and are paralyene compatible. Specify 802-012 connectors for applications where open face water immersion is not a requirement.

Water Tight PCB Receptacle 802-030 connectors are identical to 802-012 but are specially sealed ("MOD-518") and 100% tested to meet 1×10^{-4} ccHe/sec @ 1 atm helium leak rate. Connectors meet MIL-STD-810 Method 512G immersion requirements in unmated/open face condition.

How To Order

Sample Part Number	802-012	-00	Z1	9-200	P	A
Series	802-012 = Receptacle for Solder Cup or PCB Termination, with Standard Epoxy Potting 802-030 = Receptacle for Solder Cup or PCB Termination, with Special "MOD-518" Sealing for Open Face (Unmated) Water Immersion Requirements. 100% Leak Tested.					
Shell Style (See Table I)	-00 = Jam-Nut, Front Panel Mount -02 = Square Flange, Front Panel Mount -07 = Jam-Nut, Rear Panel Mount					
Shell Material and Finish	Z1 = Stainless Steel / Passivated ZM = Stainless Steel / Electroless Nickel Plated AB = Marine Bronze / Unplated					
Shell Size - Insert Arrangement	See Contact Arrangements page F-3 See Section B for PCB Footprints					
Contact Type	P = Pin, PC Tail E = Pin, Solder Cup S = Socket, PC Tail F = Socket, Solder Cup					
Polarization (See Table II)	A = Normal B = Pos. B C = Pos. C D = Pos. D E = Pos. E F = Pos. F					

Table I: Shell Style

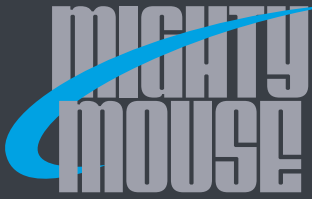
-00 Jam-Nut, Front Panel Mount	-02 Square Flange, Front Panel Mount	-07 Jam-Nut, Rear Panel Mount

Table II: Key Positions

Key Position	Key Rotation	
	A°	B°
A Normal	150°	210°
B	75°	210°
C	95°	230°
D	140°	275°
E	75°	275°
F	95°	210°

NOTES

- Contacts are PCB and solder type
- Mates to 802 series receptacle
- Performance capabilities:
 - Current rating: 5 amp max
 - Contact voltage drop: 70 millivolts max at 5 amps, 25°C
 - Hydrostatic pressure rating: 3500 PSI fully mated and properly molded
- Insulation resistance: 5,000 megohms minimum
- DWV: 500 VAC
- Electrical safety limits to be set by user peak voltages, switching surges, transients etc. should be used to determine safe application
- See page F-8 for panel cut-out dimensions
- Material/finish
 - Shell, receptacle: SST / see How-to-Order
 - Insulator: high grade rigid dielectric
 - Interfacial seal: fluorosilicone
 - Contact: copper alloy / gold plate per ASTM B 488, Type II Class 1.25, over a suitable underplate
 - O-ring: Viton 90 shore / N.A.
 - Potting: epoxy

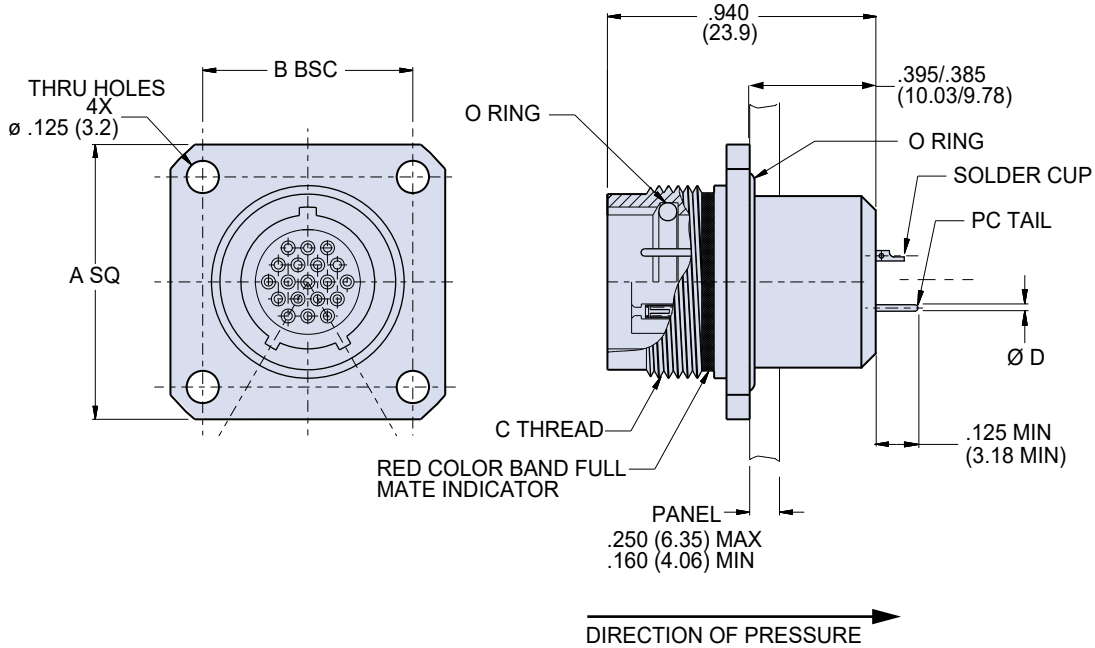


SERIES 802, 3500 PSI SUBMERSIBLE
AquaMouse Connectors and Cables



Square Flange PCB Receptacle with O-ring
Sealing and PC Tail or Solder Cup Termination

SQUARE FLANGE, FRONT PANEL MOUNT RECEPTACLE - SHELL STYLE 02



Dimensions						
Shell Size	A Square	B BSC	C Mating Threads	$\varnothing D$ Tail Dia.	$\varnothing E$	
5	.885 (22.48)	.500 (12.70)	.4375-28 UNEF	.018/.022 (0.46/0.56)	.327 (8.31)	
6	1.010 (25.65)	.625 (15.88)	.5625-20 UN		.390 (9.91)	
7	1.072 (27.23)	.688 (17.48)	.6250-20 UN	#23	.515 (13.08)	
8	1.135 (28.83)	.750 (19.05)	.6875-20 UN		#20	.577 (14.66)
9	1.195 (30.35)	.812 (20.62)	.7500-20 UNEF	.024/.028 (0.61/0.71)	.640 (16.26)	
10	1.260 (32.00)	.875 (22.23)	.8125-20 UNEF	#16	.702 (17.83)	
12	1.323 (33.60)	.938 (23.83)	.8750-20 UNEF		.060/.064 (1.52/1.63)	.765 (19.43)
14	1.510 (38.35)	1.125 (28.58)	1.0625-20 UN	#12	.953 (24.21)	
15	1.573 (39.95)	1.188 (30.18)	1.1250-20 UN		.092/.096 (2.34/2.44)	1.015 (25.78)
21	1.750 (44.45)	1.375 (34.92)	1.4375-20 UN			1.312 (33.32)

SERIES 802 AQUAMOUSE

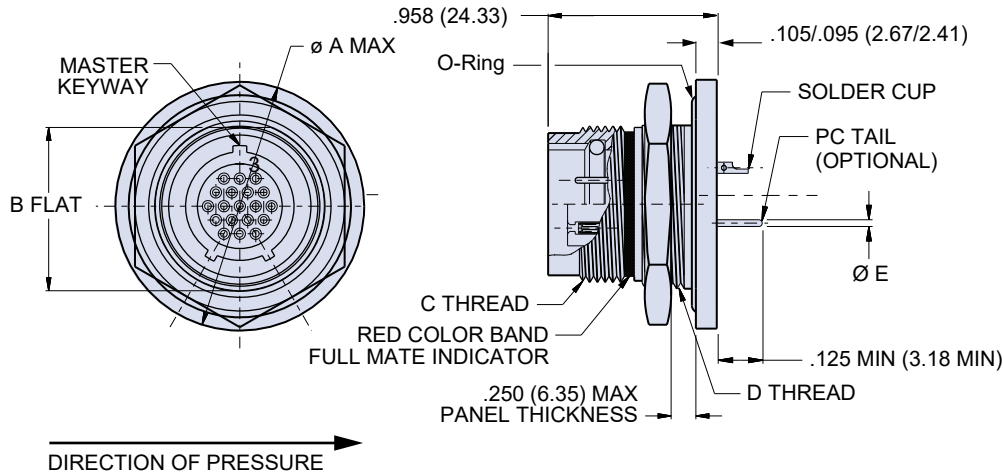


SERIES 802, 3500 PSI SUBMERSIBLE AquaMouse Connectors and Cables



Jam-Nut Rear Panel Mount PCB Receptacle with PC Tail or Solder Cup Termination

JAM-NUT, REAR PANEL MOUNT RECEPTACLE - SHELL STYLE 07



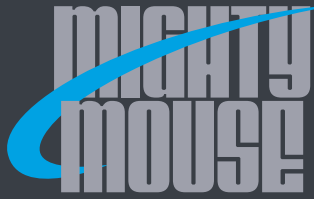
Dimensions

Shell Size	ϕA Max.	B Flat $\pm .003 (\pm 0.08)$	C Mating Threads	D Threads	ϕE Tail Dia.	F Flat $\pm .003 (\pm 0.08)$	ϕG
5	.885 (22.48)	.466 (11.84)	.4375-28 UNEF	.5000-32 UN-2A	.018/.022 (0.46/0.56) #23 #20 .024/.028 (0.61/0.71) #16 .060/.064 (1.52/1.63) #12 .092/.096 (2.34/2.44)	.477 (12.12)	.510 (12.95)
6	1.010 (25.65)	.591 (15.01)	.5625-20 UN	.6250-28 UN-2A		.602 (15.29)	.635 (16.13)
7	1.072 (27.23)	.653 (16.59)	.6250-20 UN	.6875-28 UN-2A		.664 (16.87)	.697 (17.70)
8	1.135 (28.83)	.716 (18.19)	.6875-20 UN	.7500-28 UN-2A		.727 (18.47)	.760 (19.30)
9	1.195 (30.35)	.778 (19.76)	.7500-20 UNEF	.8125-28 UN-2A		.789 (20.04)	.822 (20.88)
10	1.260 (32.00)	.827 (21.01)	.8125-20 UNEF	.8750-28 UN-2A		.838 (21.29)	.885 (22.48)
12	1.322 (33.58)	.890 (22.61)	.8750-20 UNEF	.9375-28 UN-2A		.901 (22.89)	.948 (24.08)
14	1.510 (38.35)	1.077 (27.36)	1.0625-20 UN	1.1250-28 UN-2A		1.088 (27.64)	1.135 (28.83)
15	1.572 (39.93)	1.140 (28.96)	1.1250-20 UN	1.1875-28 UN-2A		1.151 (29.24)	1.198 (30.43)
21	1.940 (49.28)	1.463 (37.16) 1.467 (37.26)	1.4375-20 UN	1.500-28 UN-2A		1.473 (37.41)	1.510 (38.35)

Material/finish

- Shell, receptacle, jam-nut: SST / see How to Order table
- Insulator: high grade rigid dielectric
- Interfacial seal: fluorosilicone
- Contact: copper alloy / gold plate per ASTM B 488, Type II Class 1.25, over a suitable underplate
- O-ring: Viton 90 shore / N.A.
- Potting: epoxy

SERIES 802 AQUAMOUSE

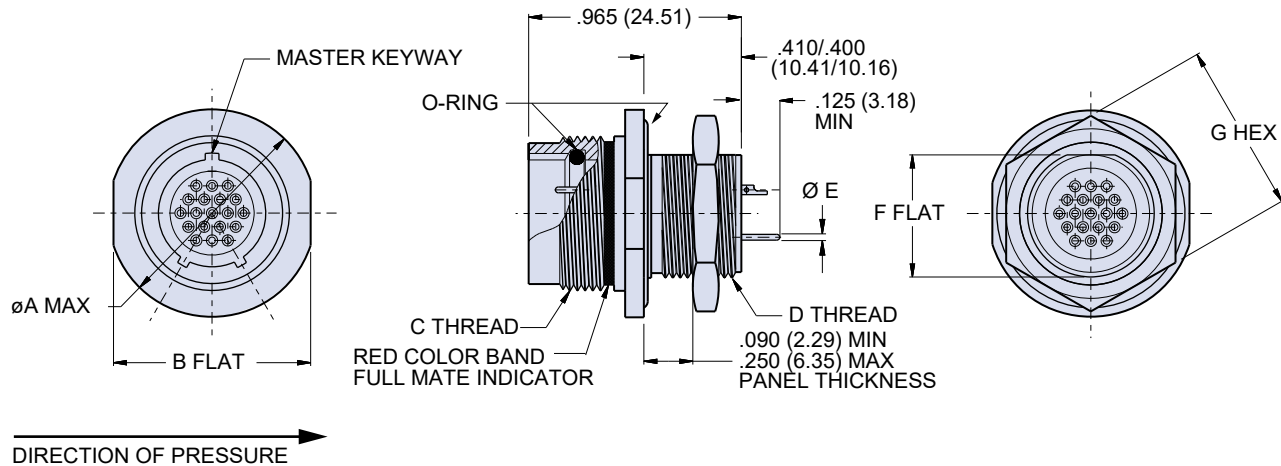


SERIES 802, 3500 PSI SUBMERSIBLE AquaMouse Connectors and Cables



Jam-Nut Front Panel Mount PCB Receptacle with PC Tail or Solder Cup Termination

JAM-NUT, FRONT PANEL MOUNT RECEPTACLE - SHELL STYLE 00



Dimensions

Shell Size	Ø A Max.	B Flat	C Mating Threads	D Threads	Ø E Tail Dia.	F Flat	G Hex
5	.72 (18.29)	.625 (15.88)	.4375-28 UNEF-2A	.312-28 UN-2A	#23 .018/.022 (0.46/0.56)	.281 (7.14)	.500 (12.70)
6	.78 (19.81)	.750 (19.05)	.5625-20 UN-2A	.438-28 UN-2A		.344 (8.74)	.625 (15.88)
7	.91 (23.11)	.812 (20.62)	.6250-20 UN-2A	.500-32 UN-2A		.469 (11.91)	.688 (17.48)
8	.96 (24.38)	.875 (22.23)	.6875-20 UN-2A	.562-28 UN-2A	#20 .024/.028 (0.61/0.71)	.531 (13.49)	.750 (19.05)
9	1.03 (26.16)	.937 (23.80)	.7500-20 UNEF-2A	.625-28 UN-2A		.594 (15.09)	.812 (20.62)
10	1.09 (27.69)	1.000 (25.40)	.8125-20 UNEF-2A	.687-28 UN-2A	#16 .060/.064 (1.52/1.63)	.656 (16.66)	.875 (22.23)
12	1.16 (29.46)	1.062 (26.97)	.8750-20 UNEF-2A	.750-28 UN-2A		.719 (18.26)	.938 (23.83)
14	1.34 (34.04)	1.250 (31.75)	1.0625-20 UN-2A	.938-28 UN-2A		.893 (22.68)	1.125 (28.58)
15	1.41 (35.81)	1.312 (33.32)	1.1250-20 UN-2A	1.000-28 UN-2A	#12 .092/.096 (2.34/2.44)	.955 (24.26)	1.188 (30.18)
21	1.70 (43.18)	1.562 (39.67)	1.4375-20 UN-2A	1.312-28 UN		1.257 (31.93)	1.500 (38.10)

Material/finish

- Shell, receptacle, jam-nut: SST / see How to Order table
- Insulator: high grade rigid dielectric
- Interfacial seal: fluorosilicone
- Contact: copper alloy / gold plate per ASTM B 488, Type II Class 1.25, over a suitable underplate
- O-ring: Viton 90 shore / N.A.
- Potting: epoxy



SERIES 802, 3500 PSI SUBMERSIBLE AquaMouse Connectors and Cables



Hermetic Receptacle with PC Tails or Solder Cups and Rear Accessory Threads

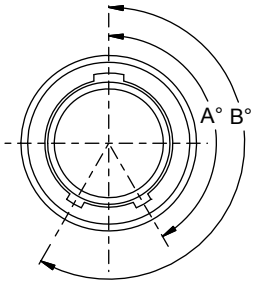


Series 802 Hermetic Receptacles feature gold plated nickle-iron alloy contacts and compression glass dielectric material. Stainless steel connector shell provides excellent corrosion protection. Viton® O-rings offer improved resistance to high temperature and harsh chemicals. Hermetically Sealed and 100% tested to meet 1×10^{-7} ccHe/sec @ 1 atm helium leak rate. Open face (unmated) pressure rating is 1000 PSI. When mated, Series 802 connectors withstand 3500 PSI hydrostatic pressure.

How To Order						
Sample Part Number	802-062	-07	Z1	6-7	P	A
Series	802-062 = Hermetic Receptacle					
Shell Style (See Table I)	-00 = Jam-Nut, Front Panel Mount -02 = Box Mount -07 = Jam-Nut, Rear Panel Mount					
Shell Material and Finish	Z1 = Stainless Steel / Passivated ZL = Stainless Steel / Nickel Plated					
Shell Size - Insert Arrangement	See Contact Arrangements page F-3					
Contact Type	P = Pin Face S = Socket Face					
Polarization (See Table II)	A = Normal B = Pos. B C = Pos. C D = Pos. D E = Pos. E F = Pos. F					

Table I: Shell Style		
-00 Jam-Nut for Front Panel Mounting	-02 Square Flange	-07 Jam-Nut for Rear Panel Mounting

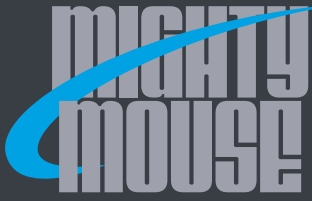
Table II: Key Positions		
Key Position	Key Rotation	
	A°	B°
A Normal	150°	210°
B	75°	210°
C	95°	230°
D	140°	275°
E	75°	275°
F	95°	210°



NOTES

- Mates to 802 series plugs
- Performance capabilities:
 - Hydrostatic pressure rating: 1000 PSI open face, 3500 PSI fully mated and properly molded
 - Insulation resistance (test): 5,000 megohms @ 500 VDC minimum
 - Dielectric withstanding voltage (test): See Table III
 - Hermeticity: 1×10^{-7} ccHe/sec leak rate at 1 ATM
- Parker O-ring compound V709-90 or equivalent
- For insert arrangements with #8 contacts, add .364 (9.25) to overall length
- See page F-8 for panel cut-out dimensions

Table III: DWV Rating	
Contact Sizes	Test Voltage
23	750 VAC
20HD	1000 VAC
16, 12, 8	1800 VAC
Combo	Refer to Section B

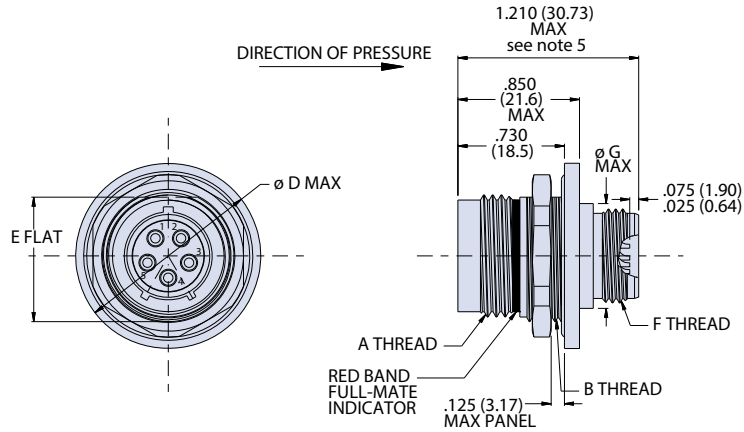


SERIES 802, 3500 PSI SUBMERSIBLE AquaMouse Connectors and Cables



Hermetic Receptacle with PC Tails or Solder Cups and Rear Accessory Threads

JAM-NUT, REAR PANEL MOUNT RECEPTACLE - SHELL STYLE 07



Dimensions									
SHELL SIZE	A THREAD	B THREAD	Ø D	E FLAT	F THREAD UNEF-2A	N FLAT	P HEX	PISTON O-RING	FLANGE O-RING STYLE 07 See Note 4
5	.4375-28 UNEF	.5000-32 UN-2A	.885 (22.48)	.469 (11.91)/ .463 (11.76)	.250-32	0.281	0.500	2-009	2-015
6	.5625-20 UN	.6250-28 UN-2A	1.010 (25.65)	.594 (15.09)/ .588 (14.94)	.312-32	0.406	0.625	5-052	2-017
7	.6250-20 UN	.6875-28 UN-2A	1.072 (27.23)	.656 (16.66)/ .650 (16.51)	.438-28	0.469	0.688	2-012	2-019
8	.6875-20 UN	.7500-28 UN-2A	1.135 (28.83)	.729 (18.52)/ .725 (18.42)	.500-28	0.531	0.750	5-212	2-019
9	.7500-20 UNEF	.8125-28 UN-2A	1.195 (30.35)	.781 (19.84)/ .775 (19.68)	.562-24	0.594	0.812	2-014	2-020
10	.8125-20 UNEF	.8750-28 UN-2A	1.260 (32.00)	.830 (21.08)/ .824 (20.93)	.625-24	0.656	0.875	2-015	2-021
12	.8750-20 UNEF	.9375-28 UN-2A	1.322 (33.58)	.893 (22.68)/ .887 (22.53)	.688-24	0.719	0.938	2-016	2-022
14	1.0625-20 UN	1.1250-28 UN-2A	1.510 (38.35)	1.080 (27.43)/ 1.074 (27.28)	.875-20	0.893	1.125	2-019	2-025
15	1.1250-20 UN	1.1875-28 UN-2A	1.572 (39.93)	1.143 (29.03)/ 1.137 (28.88)	.938-20	0.955	1.188	2-020	2-026
19	1.3125-20 UN	1.500-28 UN-2A	1.790 (45.47)	1.345 (34.16)/ 1.341 (34.06)	1.063-18	1.235	1.438	2-022	2-029
21	1.4375-20 UN	1.312-28 UN	1.940 (49.28)	1.467 (37.26)/ 1.463 (37.16)	1.250-18	1.257	1.500	2-023	2-030

Material/Finish

- Shell, jam-nut: SST / see part number development
- Insulator, hermetic: full glass
- Insulator, socket: high-grade rigid dielectric
- Seals, grommet: fluorosilicone
- Contact, hermetic: alloy 52/gold plate
- Contact, socket: copper alloy/gold plate
- O-rings: fluorocarbon (FKM)/none

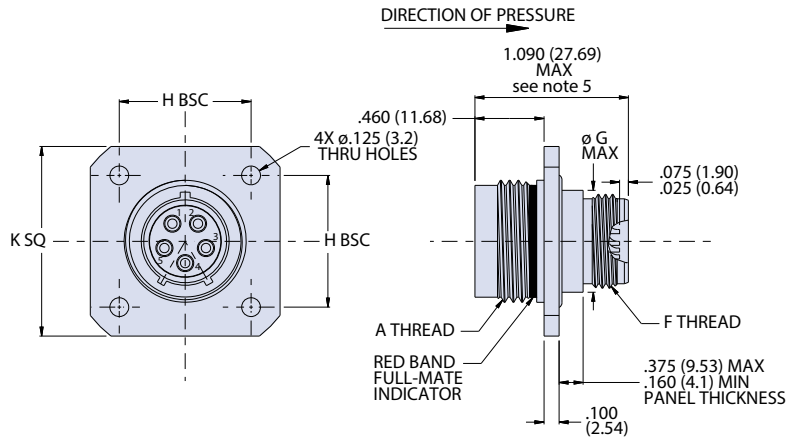


SERIES 802, 3500 PSI SUBMERSIBLE AquaMouse Connectors and Cables



Hermetic Receptacle with PC Tails or Solder Cups and Rear Accessory Threads

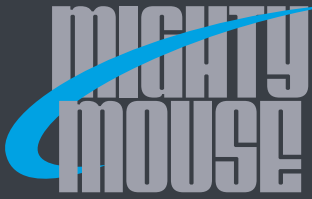
BOX MOUNT, RECEPTACLE - SHELL STYLE 02



Dimensions							
Shell Size	A Thread	F Thread UNEF-2A	ϕ G	H Dim	K Dim	Piston O-Ring	O-Ring Style 02 See Note 4
5	.4375-28 UNEF	.250-32	0.320	0.500	0.885	2-009	2-012
6	.5625-20 UN	.312-32	0.380	0.625	1.010	5-052	2-014
7	.6250-20 UN	.438-28	0.510	0.688	1.072	2-012	2-015
8	.6875-20 UN	.500-28	0.560	0.750	1.135	5-212	2-016
9	.7500-20 UNEF	.562-24	0.635	0.812	1.195	2-014	2-017
10	.8125-20 UNEF	.625-24	0.695	0.875	1.260	2-015	2-018
12	.8750-20 UNEF	.688-24	0.755	0.938	1.323	2-016	2-019
14	1.0625-20 UN	.875-20	0.945	1.125	1.510	2-019	2-022
15	1.1250-20 UN	.938-20	1.005	1.188	1.573	2-020	2-023
19	1.3125-20 UN	1.063-18	1.185	1.250	1.625	2-022	2-027
21	1.4375-20 UN	1.250-18	1.305	1.375	1.750	2-023	2-028

Material/Finish

- Shell: SST / see part number development
- Insulator, hermetic: full glass
- Insulator, socket: high-grade rigid dielectric
- Seals, grommet: fluorosilicone
- Contact, hermetic: alloy 52/gold plate
- Contact, socket: copper alloy/gold plate
- O-rings: fluorocarbon (FKM)/none

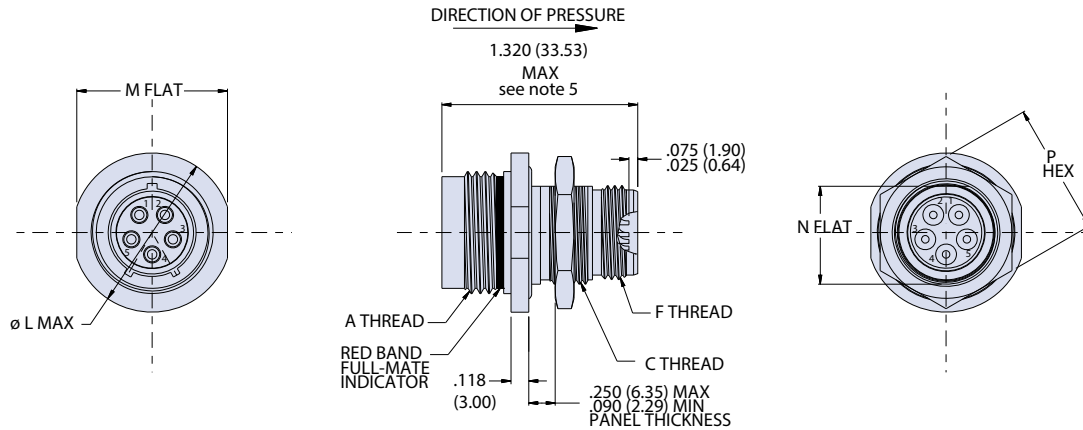


SERIES 802, 3500 PSI SUBMERSIBLE AquaMouse Connectors and Cables



Hermetic Receptacle with PC Tails or Solder Cups and Rear Accessory Threads

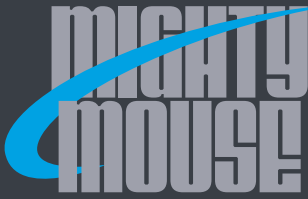
JAM-NUT, FRONT PANEL MOUNT RECEPTACLE - SHELL STYLE 00



Dimensions									
SHELL SIZE	A THREAD	C THREAD	F THREAD UNEF-2A	Ø L	M FLAT	N FLAT	P HEX	PISTON O-RING	O-RING STYLE 00 See Note 4
5	.4375-28 UNEF	.312-28 UN	.250-32	0.72	0.625	0.281	0.500	2-009	2-012
6	.5625-20 UN	.438-28 UN	.312-32	0.78	0.750	0.406	0.625	5-052	2-014
7	.6250-20 UN	.500-32 UN	.438-28	0.91	0.812	0.469	0.688	2-012	2-015
8	.6875-20 UN	.562-28 UN	.500-28	0.96	0.875	0.531	0.750	5-212	2-016
9	.7500-20 UNEF	.625-20 UN	.562-24	1.03	0.937	0.594	0.812	2-014	2-017
10	.8125-20 UNEF	.687-28 UN	.625-24	1.09	1.000	0.656	0.875	2-015	2-018
12	.8750-20 UNEF	.750-28 UN	.688-24	1.16	1.062	0.719	0.938	2-016	2-019
14	1.0625-20 UN	.938-28 UN	.875-20	1.34	1.250	0.893	1.125	2-019	2-022
15	1.1250-20 UN	1.000-28 UN	.938-20	1.41	1.312	0.955	1.188	2-020	2-023
19	1.3125-20 UN	1.250-28 UN	1.063-18	1.63	1.530	1.235	1.438	2-022	2-027
21	1.4375-20 UN	1.312-28 UN	1.250-18	1.70	1.562	1.257	1.500	2-023	2-028

Material/Finish

- Shell, jam-nut: SST / see part number development
- Insulator, hermetic: full glass
- Insulator, socket: high-grade rigid dielectric
- Seals, grommet: fluorosilicone
- Contact, hermetic: alloy 52/gold plate
- Contact, socket: copper alloy/gold plate
- O-rings: fluorocarbon (FKM)/none



SERIES 802, 3500 PSI SUBMERSIBLE AquaMouse Connectors and Cables



Hermetic Receptacle with Crimp Removable Termination and Integral Banding Porch



Series 802 Hermetic Receptacles feature integral banding porch. Gold plated nickle-iron alloy contacts and compression glass dielectric material. Stainless steel connector shell with integral banding porch provides excellent corrosion protection and is suitable for e-beam welding. Viton® O-rings offer improved resistance to high temperature and harsh chemicals.

Hermetically Sealed 100% tested to meet 1×10^{-7} ccHe/sec @ 1 atm. Open face (unmated) pressure rating is 1000 PSI. When mated, Series 802 connectors withstand 3500 PSI hydrostatic pressure.

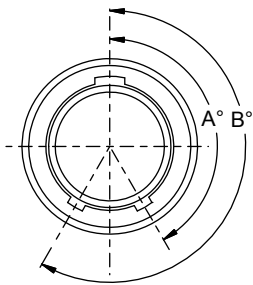
How To Order						
Sample Part Number	802-056	-07	Z1	6-7	P	A
Series	802-056 = Hermetic Receptacle					
Shell Style (See Table I)	-00 = Jam-Nut, Front Panel Mount -02 = Box Mount -07 = Jam-Nut, Rear Panel Mount					
Shell Material and Finish	Z1 = Stainless Steel / Passivated ZL = Stainless Steel / Nickel Plated					
Shell Size - Insert Arrangement	See Contact Arrangements page F-3					
Contact Type	P = Pin, Face S = Socket, Face					
Polarization (See Table II)	A = Normal B = Pos. B C = Pos. C D = Pos. D E = Pos. E F = Pos. F					

Table I: Shell Style

-00 Jam-Nut for Front Panel Mounting	-02 Square Flange	-07 Jam-Nut for Rear Panel Mounting

Table II: Key Positions

Key Position	Key Rotation	
	A°	B°
A Normal	150°	210°
B	75°	210°
C	95°	230°
D	140°	275°
E	75°	275°
F	95°	210°



NOTES

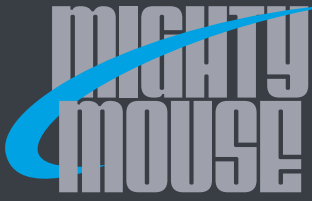
1. Socket contacts for termination are shipped loose with parts
2. Mates to 802 series plugs
3. Performance capabilities:
 - Hydrostatic pressure rating: 1000 PSI open face, 3500 PSI fully mated and properly molded
 - Insulation resistance (test): 5,000 megohms @ 500 VDC minimum
 - Dielectric withstanding voltage (test): See Table III
 - Hermeticity: 1×10^{-7} ccHe/sec leak rate at 1 ATM
4. Parker O-ring compound V709-90 or equivalent
5. See page F-8 for panel cut-out dimensions

Table III: DWV Rating by Contact

23	750 VAC
20 HD	1000 VAC
16, 12, 8	1800 VAC

Material/Finish

- Shell, jam-nut: SST / see part number development
- Insulator, hermetic: full glass
- Insulator, socket: high-grade rigid dielectric
- Seals, grommet: fluorosilicone
- Contact, hermetic: alloy 52/gold plate
- Contact, socket: copper alloy/gold plate
- O-rings: Viton/90 shore

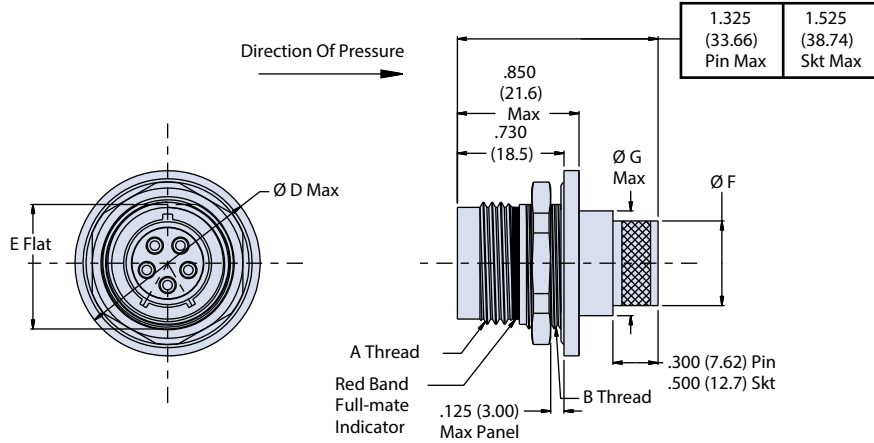


SERIES 802, 3500 PSI SUBMERSIBLE AquaMouse Connectors and Cables

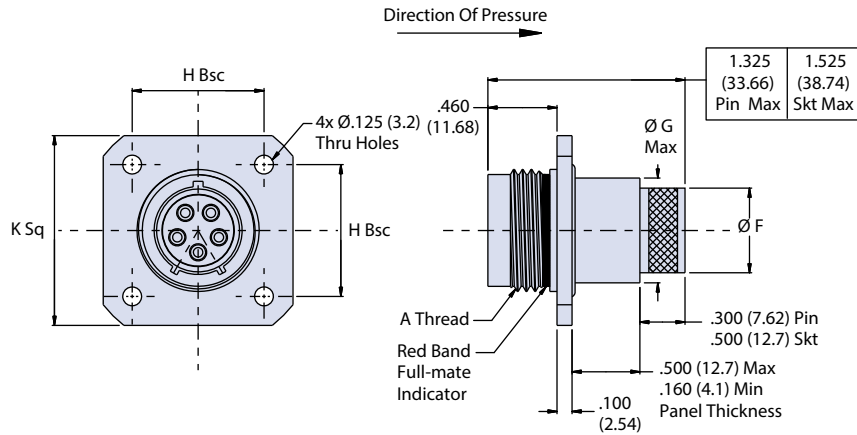


Hermetic Receptacle with Crimp Removable Termination and Integral Banding Porch

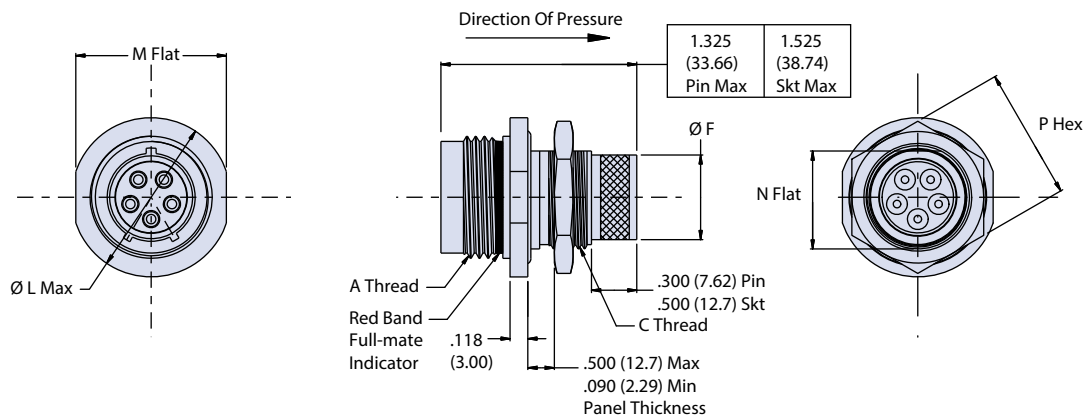
JAM-NUT, REAR PANEL MOUNT RECEPTACLE - SHELL STYLE 07



BOX MOUNT, RECEPTACLE - SHELL STYLE 02



JAM-NUT, FRONT PANEL MOUNT RECEPTACLE - SHELL STYLE 00



SERIES 802 AQUAMOUSE



SERIES 802, 3500 PSI SUBMERSIBLE
AquaMouse Connectors and Cables



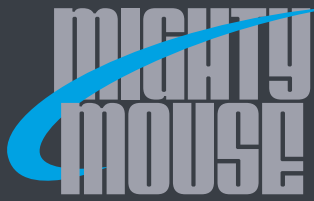
Hermetic Receptacle with Crimp Removable
Termination and Integral Banding Porch

Dimensions									
Shell Size	A Thread	B Thread	C Thread	Ø D	E Flat	Ø F	Ø G	H Dim	K Dim
5	.4375-28 UNEF	.5000-32 UN	.312-28 UN	0.885 (22.50)	.469/.463 (11.9/11.8)	0.232 (5.90)	0.320 (8.10)	0.500 (12.70)	0.885 (22.50)
6	.5625-20 UN	.6250-20 UN	.438-28 UN	1.010 (25.70)	.594/.588 (15.1/14.9)	0.312 (7.90)	0.380 (9.60)	0.625 (15.90)	1.010 (25.70)
7	.6250-20 UN	.6875-28 UN	.500-32 UN	1.072 (27.20)	.656/.650 (16.7/16.5)	0.375 (9.50)	0.510 (12.90)	0.688 (17.50)	1.072 (27.20)
8	.6875-20 UN	.7500-28 UN	.562-28 UN	1.135 (28.80)	.729/.725 (18.5/18.4)	0.438 (11.10)	0.560 (14.20)	0.750 (19.10)	1.135 (28.80)
9	.7500-20 UNEF	.8125-28 UN	.625-20 UN	1.195 (30.40)	.781/.775 (19.8/19.7)	0.500 (12.70)	0.635 (16.10)	0.812 (20.60)	1.195 (30.40)
10	.8125-20 UNEF	.8750-28 UN	.687-28 UN	1.260 (32.00)	.830/.824 (21.1/20.9)	0.562 (14.30)	0.695 (17.70)	0.875 (22.20)	1.260 (32.00)
12	.8750-20 UNEF	.9375-28 UN	.750-28 UN	1.322 (33.60)	.893/.887 (22.7/22.5)	0.656 (16.70)	0.755 (19.20)	0.938 (23.80)	1.323 (33.60)
14	1.0625-20 UN	1.1250-28 UN	.938-28 UN	1.510 (38.40)	1.080/1.074 (27.4/27.3)	0.812 (20.60)	0.945 (24.00)	1.125 (28.60)	1.510 (38.40)
15	1.1250-20 UN	1.1875-28 UN	1.000-28 UN	1.572 (39.90)	1.143/1.137 (29.0/28.9)	0.885 (22.40)	1.005 (25.50)	1.188 (30.20)	1.573 (40.00)
21	1.4375-20 UN	1.5000-28 UN	1.312-28 UN	1.940 (49.30)	1.467/1.463 (37.3/37.2)	1.188 (30.20)	1.305 (33.10)	1.375 (34.90)	1.750 (44.50)

Dimensions (continued)							
Shell Size	Ø L	M Flat	N Flat	P Hex	Piston O-ring*	Flange O-ring Style 00 & 02*	Flange O-ring Style 07*
5	0.72 (18.30)	0.625 (15.90)	0.281 (7.10)	0.500 (12.70)	2-009	2-012	2-015
6	0.78 (19.80)	0.750 (19.10)	0.406 (10.30)	0.625 (15.90)	5-052	2-014	2-017
7	0.91 (23.10)	0.812 (20.60)	0.469 (11.90)	0.688 (17.50)	2-012	2-015	2-019
8	0.96 (24.40)	0.875 (22.20)	0.531 (13.50)	0.750 (19.10)	5-212	2-016	2-019
9	1.03 (26.20)	0.937 (23.80)	0.594 (15.10)	0.812 (20.60)	2-014	2-017	2-020
10	1.09 (27.70)	1.000 (25.40)	0.656 (16.70)	0.875 (22.20)	2-015	2-018	2-021
12	1.16 (29.50)	1.062 (27.00)	0.719 (18.30)	0.938 (23.80)	2-016	2-019	2-022
14	1.34 (34.00)	1.250 (31.80)	0.893 (22.70)	1.125 (28.60)	2-019	2-022	2-025
15	1.41 (35.80)	1.312 (33.30)	0.955 (24.30)	1.188 (30.20)	2-020	2-023	2-026
21	1.70 (43.20)	1.562 (39.70)	1.257 (31.90)	1.500 (38.10)	2-023	2-028	2-030

*See note 5

SERIES 802 AQUAMOUSE



SERIES 802, 3500 PSI SUBMERSIBLE AquaMouse Connectors and Cables



Hermetic PCB Receptacles with PC Tails or Solder Cups; 1000 PSI Open Face Rated



Series 802 Hermetic Receptacles 100% tested to meet 1×10^{-7} ccHe/sec @ 1 atm. Connectors feature gold plated iron alloy contacts and compression glass dielectric material. The 316 stainless steel connector shell provides excellent corrosion protection. Viton® o-rings offer improved resistance to high temperature and harsh chemicals. Open face (unmated) pressure rating is 1000 PSI. When mated, Series 802 connectors withstand 3500 PSI hydrostatic pressure.

How To Order						
Sample Part Number	802-013	-00	Z1	9-200	P	A
Series	802-013 = Hermetic Receptacle					
Shell Style (See Table I)	-00 = Jam-Nut, Front Panel Mount		-03 = Weld Mount			
	-02 = Square Flange, Front Panel Mount		-07 = Jam-Nut, Rear Panel Mount			
Shell Material and Finish	Z1 = Stainless Steel / Passivated					
	ZL = Stainless Steel / Nickel Plated					
Shell Size - Insert Arrangement	See Contact Arrangements page F-3 See Section B for PCB Footprints					
Contact Type	P = Pin, PC Tail		D = Socket, PC Tail			
	E = Pin, Solder Cup		S = Socket, Solder Cup			
Polarization (See Table II)	A = Normal B = Pos. B C = Pos. C D = Pos. D E = Pos. E F = Pos. F					

NOTES

- Contacts are non-removable, PCB and solder cup type
- Mates to 802 series plugs with same size, arrangement, polarization, and opposite contact gender.
- Performance capabilities:
 - Hydrostatic pressure rating: 1000 PSI open face or 3500 PSI fully mated and properly molded
 - Insulation resistance: 5,000 megohms minimum
 - DWV: per Table III
 - Hermeticity: 1×10^{-7} cc/sec @ 1 ATM
- Parker O-ring compound V709-90 or equivalent
- Electrical safety limits to be set by user peak voltages, switching surges, transients etc. should be used to determine safe application
- See page F-8 for panel cut-out dimensions

Table I: Shell Style			
-00 Jam-Nut, Front Panel Mount	-02 Square Flange, Front Panel Mount	-03 Weld Mount	-07 Jam-Nut, Rear Panel Mount

Table II: Key Positions		
Key Position	Key Rotation	
	A°	B°
A Normal	150°	210°
B	75°	210°
C	95°	230°
D	140°	275°
E	75°	275°
F	9°	210°

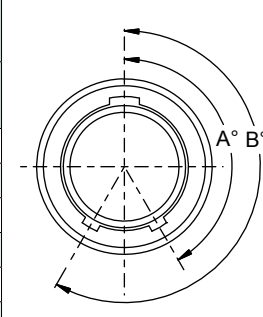


Table III: DWV Rating	
Contact Sizes	Test Voltage
23	750 VAC
20HD	1000 VAC
16, 12, 8	1800 VAC

SERIES 802 AQUAMOUSE

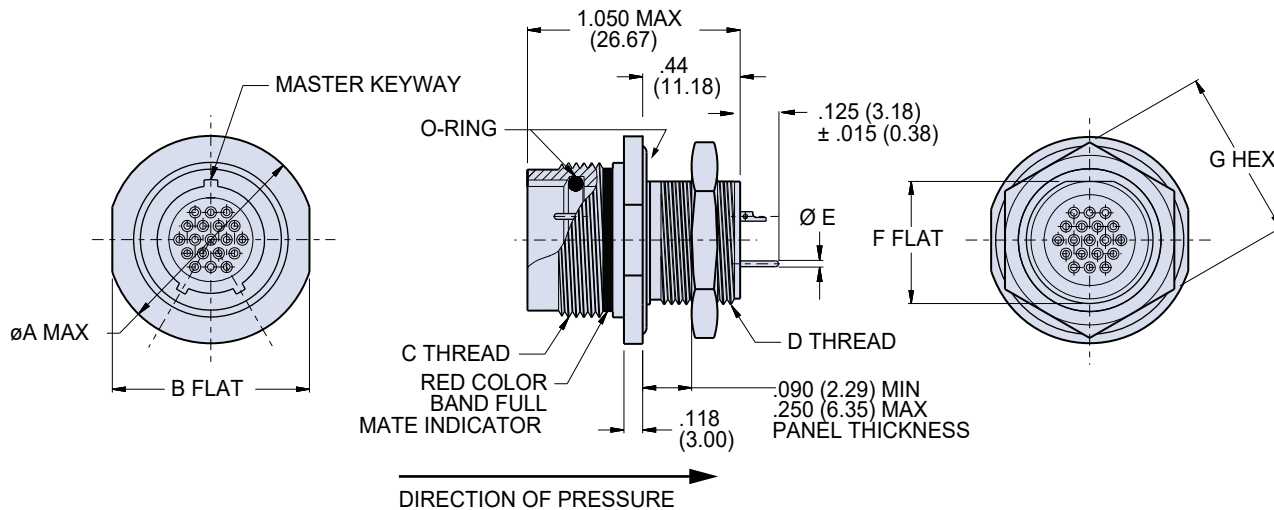


SERIES 802, 3500 PSI SUBMERSIBLE AquaMouse Connectors and Cables



Hermetic PCB Receptacles, 1000 PSI Open Face Rated with PC Tails or Solder Cups

HERMETIC JAM-NUT, FRONT PANEL MOUNT RECEPTACLE - SHELL STYLE 00



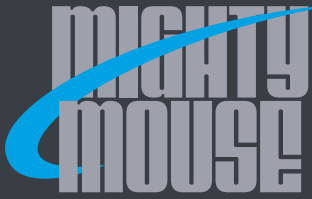
Dimensions								
Shell Size	Ø A Max.	B Flat	C Threads	D Threads	Ø E Tail Dia.	F Flat	G Hex	
5	.72 (18.29)	.625 (15.88)	.4375-28 UNEF-2A	.312-28 UN-2A	#23 .018/.022 (0.46/0.56)	.281 (7.14)	.500 (12.70)	
6	.78 (19.81)	.750 (19.05)	.5625-20 UN-2A	.438-28 UN-2A		#20	.406 (10.31)	.625 (15.88)
7	.91 (23.11)	.812 (20.62)	.6250-20 UN-2A	.500-32 UN-2A		.024/.028 (0.61/0.71)	.469 (11.91)	.688 (17.48)
8	.96 (24.38)	.875 (22.23)	.6875-20 UN-2A	.562-28 UN-2A	#16 .060/.064 (1.52/1.63)	.531 (13.49)	.750 (19.05)	
9	1.03 (26.16)	.937 (23.80)	.7500-20 UNEF-2A	.625-20 UN-2A		#12	.594 (15.09)	.812 (20.62)
10	1.09 (27.69)	1.000 (25.40)	.8125-20 UNEF-2A	.687-28 UN-2A	#12 .092/.096 (2.34/2.44)	.656 (16.66)	.875 (22.23)	
12	1.16 (29.46)	1.062 (26.97)	.8750-20 UNEF-2A	.750-28 UN-2A		.719 (18.26)	.938 (23.83)	
14	1.34 (34.04)	1.250 (31.75)	1.0625-20 UN-2A	.938-28 UN-2A		.893 (22.68)	1.125 (28.58)	
15	1.41 (35.81)	1.312 (33.32)	1.1250-20 UN-2A	1.000-28 UN-2A		.955 (24.26)	1.188 (30.18)	
21	1.70 (43.18)	1.562 (39.67)	1.4375-20 UN-2A	1.312-28 UN-2A		1.257 (31.93)	1.500 (38.10)	

* Tolerance applies to shell sizes 5 thru 15

Material/finish

- Shell, receptacle, jam-nut: SST / See How to Order table
- Insulator, hermetic: full glass
- Insulator, socket: high grade rigid dielectric
- Interfacial seal: fluorosilicone
- Contact hermetic: alloy 52 / gold plate
- Contact: copper alloy / gold plate per ASTM B 488, Type II Class 1.25, over a suitable underplate
- O-ring: Viton 90 shore / N.A.
- Potting: epoxy, except weld mount (03) style

SERIES 802 AQUAMOUSE

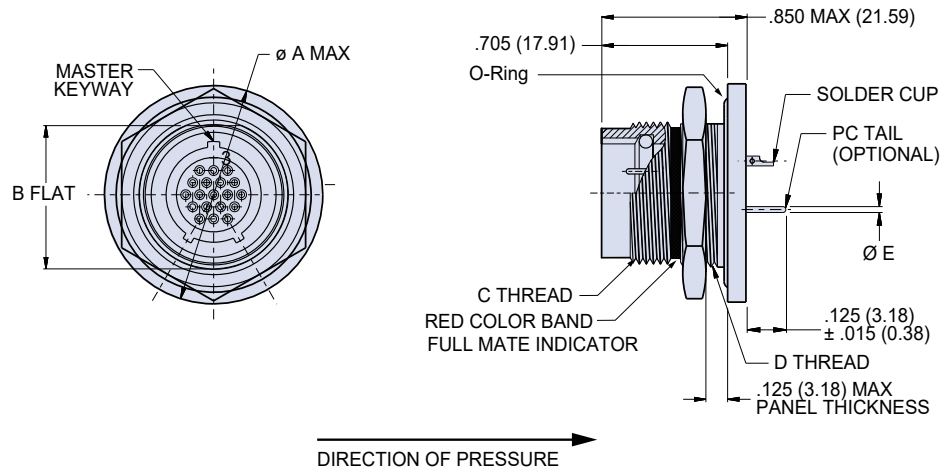


SERIES 802, 3500 PSI SUBMERSIBLE AquaMouse Connectors and Cables



Hermetic PCB Receptacles, 1000 PSI Open Face Rated with PC Tails or Solder Cups

HERMETIC JAM-NUT, REAR PANEL MOUNT RECEPTACLE - SHELL STYLE 07



Dimensions					
Shell Size	A Max.	B Flat	C Threads	D Threads	Ø E Tail Dia.
5	.885 (22.48)	.469 (11.91) .463 (11.76)	.438-28 UNEF	.500-32 UN-2A	#23 .018/.022 (0.46/0.56) #20 .024/.028 (0.61/0.71) #16 .060/.064 (1.52/1.63) #12 .092/.096 (2.34/2.44)
6	1.010 (25.65)	.594 (15.09) .588 (14.94)	.562-20 UN	.625-20 UN-2A	
7	1.072 (27.23)	.656 (16.66) .650 (16.51)	.625-20 UN	.687-28 UN-2A	
8	1.135 (28.83)	.729 (18.52) .725 (18.42)	.687-20 UN	.750-28 UN-2A	
9	1.195 (30.35)	.781 (19.84) .775 (19.68)	.750-20 UNEF	.812-28 UN-2A	
10	1.260 (32.00)	.830 (21.08) .824 (20.93)	.812-20 UNEF	.875-28 UN-2A	
12	1.322 (33.58)	.893 (22.68) .887 (22.53)	.875-20 UNEF	.938-28 UN-2A	
14	1.510 (38.35)	1.080 (27.43) 1.074 (27.28)	1.062-20 UN	1.125-28 UN-2A	
15	1.572 (39.93)	1.143 (29.03) 1.137 (28.88)	1.125-20 UN	1.188-28 UN-2A	
21	1.940 (49.28)	1.467 (37.26) 1.463 (37.16)	1.4375-20 UN	1.500-28 UN-2A	

Material/finish

- Shell, receptacle, jam-nut: SST / See How to Order table
- Insulator, hermetic: full glass
- Insulator, socket: high grade rigid dielectric
- Interfacial seal: fluorosilicone
- Contact hermetic: alloy 52 / gold plate
- Contact: copper alloy / gold plate per ASTM B 488, Type II Class 1.25, over a suitable underplate
- O-ring: Viton 90 shore / N.A.
- Potting: epoxy, except weld mount (03) style

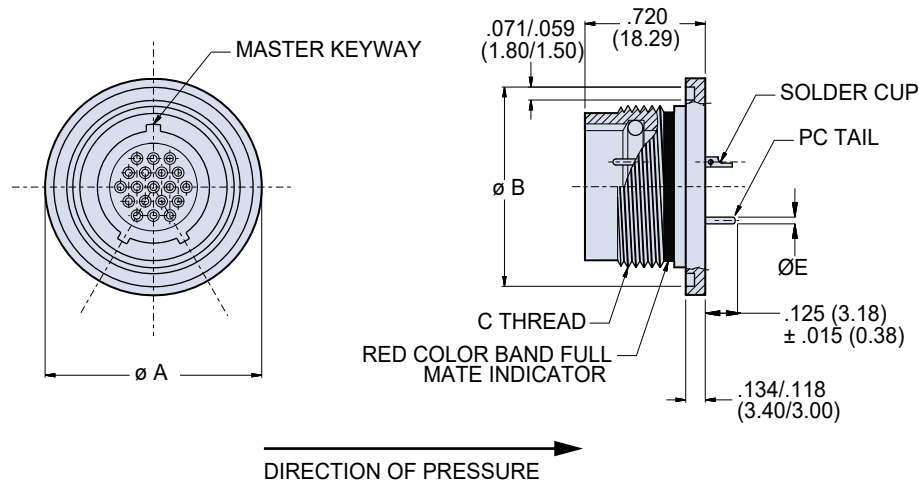


SERIES 802, 3500 PSI SUBMERSIBLE AquaMouse Connectors and Cables



Hermetic PCB Receptacles, 1000 PSI Open Face Rated with PC Tails or Solder Cups

HERMETIC WELD MOUNT RECEPTACLE - SHELL STYLE 03

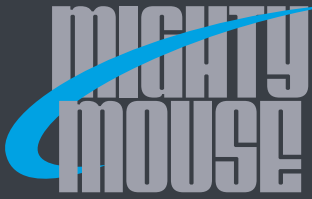


Dimensions						
Shell Size	$\varnothing A$	$\varnothing B$	C Mating Threads	$\varnothing E$ Tail Dia.		
5	.790 (20.07)	.751 (19.08)	.438-28 UNEF	#23 .018/.022 (0.46/0.56)		
	.786 (19.96)	.739 (18.77)				
6	.914 (23.22)	.875 (22.23)	.562-20 UN			
	.910 (23.11)	.863 (21.92)				
7	.977 (24.82)	.939 (23.85)	.625-20 UN			
	.973 (24.71)	.927 (23.55)				
8	1.040 (26.42)	1.001 (25.43)	.687-20 UN		#20 .024/.028 (0.61/0.71)	
	1.036 (26.31)	.989 (25.12)				
9	1.102 (27.99)	1.063 (27.00)	.750-20 UNEF			
	1.098 (27.89)	1.051 (26.70)				
10	1.164 (29.57)	1.125 (28.58)	.812-20 UNEF	#16 .060/.064 (1.52/1.63)		
	1.160 (29.46)	1.113 (28.27)				
12	1.227 (31.17)	1.188 (30.18)	.875-20 UNEF			
	1.223 (31.06)	1.176 (29.87)				
14	1.414 (35.92)	1.375 (34.92)	1.062-20 UN			#12 .092/.096 (2.34/2.44)
	1.410 (35.81)	1.363 (34.62)				
15	1.477 (37.52)	1.438 (36.53)	1.125-20 UN			
	1.473 (37.41)	1.426 (36.22)				
21	1.797 (45.64)	1.750 (44.45)	1.4375-20 UN			
	1.793 (45.54)	1.744 (44.30)				

Material/finish

- Shell, receptacle: SST / see How to Order table
- Insulator, hermetic: full glass
- Insulator, socket: high grade rigid dielectric
- Interfacial seal: fluorosilicone
- Contact hermetic: alloy 52 / gold plate
- Contact: copper alloy / gold plate per ASTM B 488, Type II Class 1.25, over a suitable underplate
- O-ring: Viton 90 shore / N.A.
- Potting: epoxy, except weld mount (03) style

SERIES 802 AQUAMOUSE

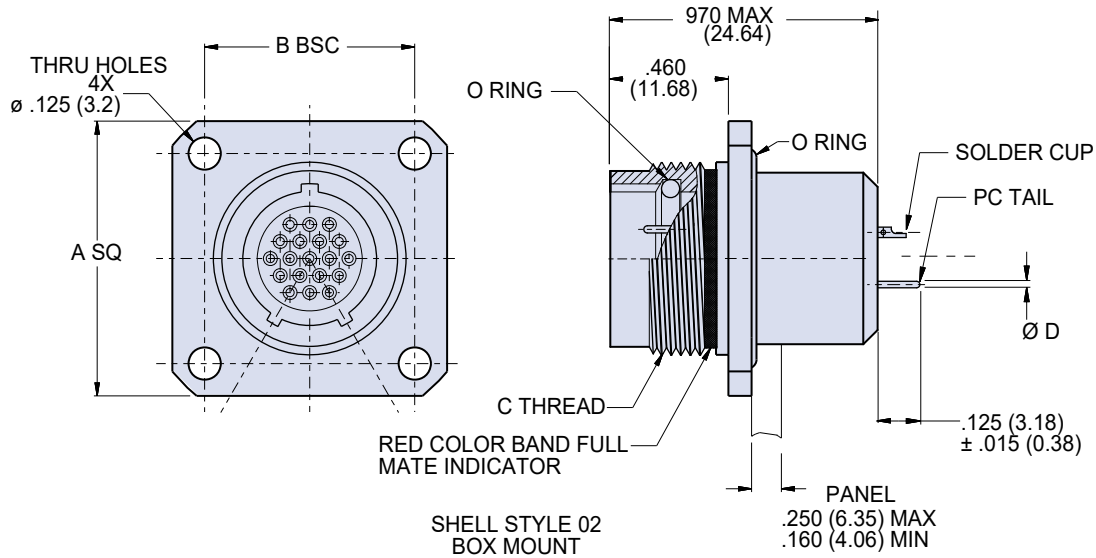


SERIES 802, 3500 PSI SUBMERSIBLE AquaMouse Connectors and Cables



Hermetic PCB Receptacles, 1000 PSI Open Face Rated with PC Tails or Solder Cups

HERMETIC BOX MOUNT, FRONT PANEL MOUNT RECEPTACLE - SHELL STYLE 02

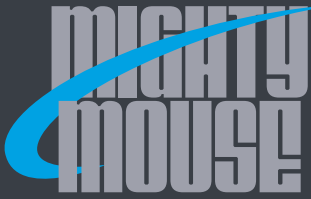


Dimensions					
Shell Size	A Square	B Bsc.	C Thread	Ø D Tail Dia.	Ø E
5	.885 (22.48)	.500 (12.70)	.438-28 UNEF	#23 .018/.022 (0.46/0.56)	.327 (8.31)
6	1.010 (25.65)	.625 (15.88)	.562-20 UN		.390 (9.91)
7	1.072 (27.23)	.688 (17.48)	.625-20 UN		.515 (13.08)
8	1.135 (28.83)	.750 (19.05)	.687-20 UN	#20 .024/.028 (0.61/0.71)	.577 (14.66)
9	1.195 (30.35)	.812 (20.62)	.750-20 UNEF		.640 (16.26)
10	1.260 (32.00)	.875 (22.23)	.812-20 UNEF	#16 .060/.064 (1.52/1.63)	.702 (17.83)
12	1.323 (33.60)	.938 (23.83)	.875-20 UNEF		.765 (19.43)
14	1.510 (38.35)	1.125 (28.58)	1.062-20 UN		.953 (24.21)
15	1.573 (39.95)	1.188 (30.18)	1.125-20 UN	#12 .092/.096 (2.34/2.44)	1.015 (25.78)
21	1.750 (44.45)	1.375 (34.92)	1.4375-20 UN		1.312 (33.32)

Material/finish

- Shell, receptacle, jam-nut: SST / see How to Order table
- Insulator, hermetic: full glass
- Insulator, socket: high grade rigid dielectric
- Interfacial seal: fluorosilicone
- Contact hermetic: alloy 52 / gold plate
- Contact: copper alloy / gold plate per ASTM B 488, Type II Class 1.25, over a suitable underplate
- O-ring: Viton 90 shore / N.A.
- Potting: epoxy, except weld mount (03) style

SERIES 802 AQUAMOUSE



SERIES 802, 3500 PSI SUBMERSIBLE AquaMouse Connectors and Cables



Hermetic Receptacle with Size 12 or 16 Coax Contacts; 1000 PSI Open Face Rated



Series 802 Hermetic Receptacles feature stainless steel shells for excellent corrosion resistance, fused glass insulators and gold plated, nickel-iron alloy contacts. 1000 PSI open face rated. 100% tested to meet 1×10^{-7} ccHe/sec @ 1 atm helium leak rate.

Size 12 or 16 Coax Contacts choose 9 size #16 or 8 size #12 single contact arrangements.

Four Shell Styles: front panel mount jam-nut, front panel mount square flange, weld mount, and rear panel mount jam-nut.

Cable Adapters with Crimp Rings provided with each connector for reliable cable termination.

Front Panel Mount Jam-Nut

How to Order							
Sample Part Number	802-040	-07	Z1	12-3	P	A	-01
Series	802-040 = Hermetic Receptacle						
Shell Style (See Table I)	-00 = Jam-Nut, Front Panel Mount -02 = Sq Flange, Front Panel Mount -03 = Weld Mount -07 = Jam-Nut, Rear Panel Mount						
Shell Material and Finish ⁶	Z1 = Stainless Steel / Passivated ZL = Stainless Steel / Nickel Plated						
Shell Size - Insert Arrangement	See Contact Arrangements page F-3						
Contact Type	P = Pin, Co-Ax S = Socket, Co-Ax						
Polarization (Table II)	A, B, C, D, E, F; (See Keyway Positions)						
Cable Attachment (See Table III)	-01, -02, -03, -04, -05, -06; see Table IV						

NOTES

- Mates to 802 series plugs with same size, arrangement, polarization, and opposite contact gender.
- Performance capabilities:
 - Hydrostatic pressure rating: 1000 PSI open face or 3500 PSI fully mated and properly molded
 - Insulation resistance: 5,000 megohms minimum
 - DWV: per Table III
 - Hermeticity: 1×10^{-7} ccHe/sec @ atm
- Parker O-ring compound V709-90 or equivalent
- Electrical safety limits to be set by user peak voltages, switching surges, transients etc. should be used to determine safe application
- Titanium and Inconel[®] shell materials are available. Consult factory for ordering information.
- After cable is terminated and adapters inserted in contact rear, the rear of the connector must be potted to cover adapters
- See page F-8 for panel cut-out dimensions

Table I: Shell Style

-00 Front Panel Mount, Jam-Nut	-02 Square Flange	-03 Weld Mount	-07 Rear Panel Mount, Jam-Nut

Table II: Keyway Positions

Key Position	Key Rotation	
	A°	B°
A Normal	150°	210°
B	75°	210°
C	95°	230°
D	140°	275°
E	75°	275°
F	9°	210°

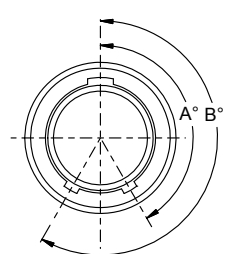


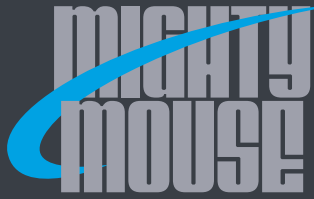
Table III: Cable Attachment

Dash No.	Cables Accommodated
-01	M17/113-RG316
-02	M17/152-00001 (RG316DS)
-03	M17/93-RG178
-04	RG-178 double shield per DSCC 06017
-05	M17/94-RG179
-06	PIC 73263, 75 OHM cable

DWV Rating

Contact Sizes	Test Voltage
23	750 Vac
20 HD	1000 Vac
16, 12, 8	1800 Vac
16 CO-AX**	800 Vac
12 CO-AX**	1000 Vac

**Inner contact to outer contact

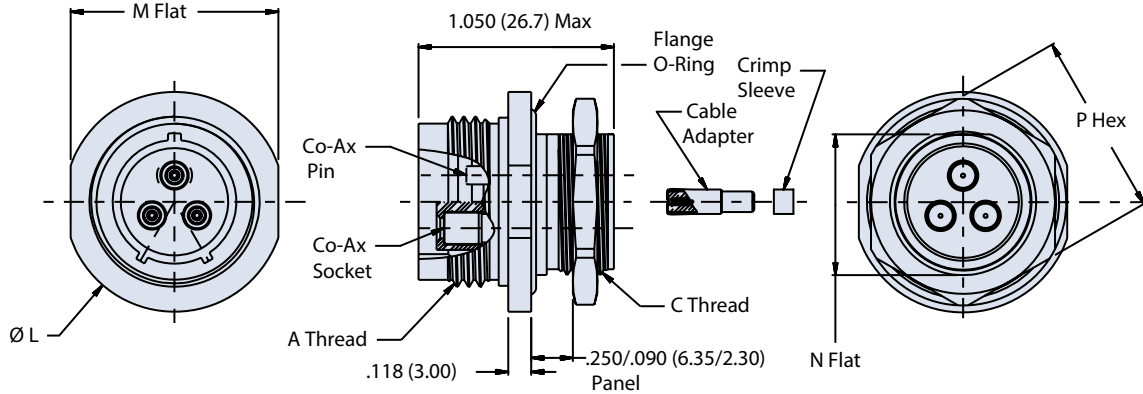


SERIES 802, 3500 PSI SUBMERSIBLE AquaMouse Connectors and Cables



Hermetic Receptacle with Size 12 or 16 Coax Contacts; 1000 PSI Open Face Rated

HERMETIC JAM-NUT, FRONT PANEL MOUNT RECEPTACLE - SHELL STYLE 00



Dimensions						
Shell Size	L Max.	M Flat	A Mating Threads	C Threads	N Flat	P Hex
5	.720 (18.29)	.625 (15.88)	.438-28 UNEF-2A	.312-28 UN-2A	.281 (7.14)	.500 (12.70)
6	.780 (19.81)	.750 (19.05)	.562-20 UN-2A	.438-28 UN-2A	.344 (8.74)	.625 (15.88)
7	.910 (23.11)	.812 (20.62)	.625-20 UN-2A	.500-32 UN-2A	.469 (11.91)	.688 (17.48)
8	.960 (24.38)	.875 (22.23)	.687-20 UN-2A	.562-28 UN-2A	.531 (13.49)	.750 (19.05)
9	1.030 (26.16)	.937 (23.80)	.750-20 UNEF-2A	.625-20 UN-2A	.594 (15.09)	.812 (20.62)
10	1.090 (27.69)	1.000 (25.40)	.812-20 UNEF-2A	.687-28 UN-2A	.656 (16.66)	.875 (22.23)
12	1.160 (29.46)	1.062 (26.97)	.875-20 UNEF-2A	.750-28 UN-2A	.719 (18.26)	.938 (23.83)
14	1.340 (34.04)	1.250 (31.75)	1.062-20 UN-2A	.938-28 UN-2A	.893 (22.68)	1.125 (28.58)
15	1.410 (35.81)	1.312 (33.32)	1.125-20 UN-2A	1.000-28 UN-2A	.955 (24.26)	1.188 (30.18)
21	1.700 (43.18)	1.562 (39.67)	1.4375-20 UN-2A	1.312-28 UN-2A	1.257 (31.93)	1.500 (38.10)

Material/finish

- Shell, jam-nut: SST / See How to Order Table
- Insulator, hermetic: full glass
- Insulator, socket: high grade rigid dielectric
- Interfacial seal: fluorosilicone blend
- Contact, hermetic: nickel-iron alloy / gold plate
- Contact, socket: copper alloy / gold plated per ASTM B 488, Type II Class 1.25, over a suitable underplate
- O-ring: Viton, 90 shore / N.A.
- Cable adapter, crimp sleeve: copper alloy / gold plated

SERIES 802 AQUAMOUSE

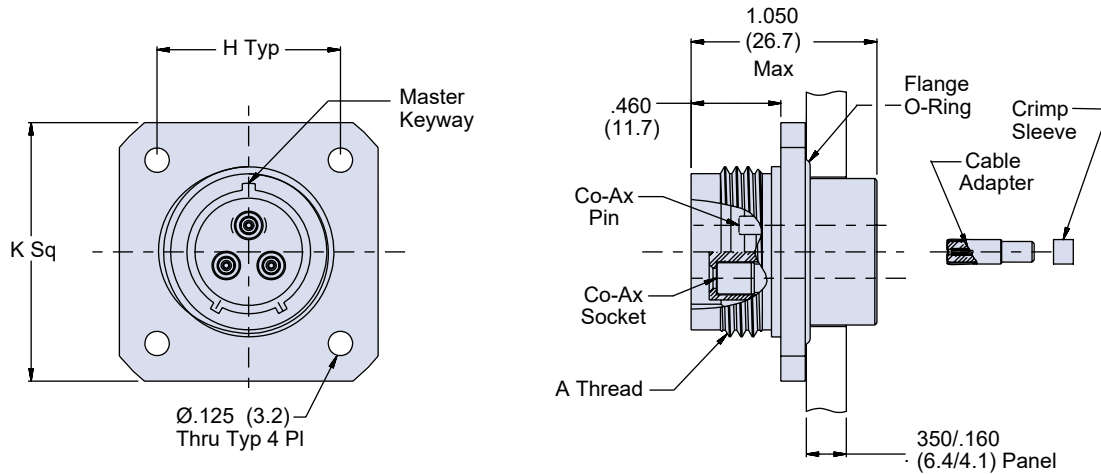


SERIES 802, 3500 PSI SUBMERSIBLE AquaMouse Connectors and Cables



Hermetic Receptacle with Size 12 or 16 Coax Contacts; 1000 PSI Open Face Rated

HERMETIC SQUARE FLANGE, FRONT PANEL MOUNT RECEPTACLE - SHELL STYLE 02

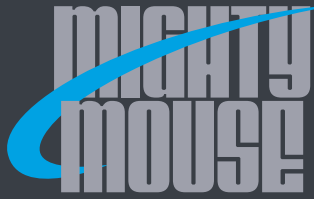


Dimensions				
Shell Size	K Square	H Bsc.	A Mating Threads	Ø E
5	.885 (22.48)	.500 (12.70)	.438-28 UNEF	.327 (8.31)
6	1.010 (25.65)	.625 (15.88)	.562-20 UN	.390 (9.91)
7	1.072 (27.23)	.688 (17.48)	.625-20 UN	.515 (13.08)
8	1.135 (28.83)	.750 (19.05)	.687-20 UN	.577 (14.66)
9	1.195 (30.35)	.812 (20.62)	.750-20 UNEF	.640 (16.26)
10	1.260 (32.00)	.875 (22.23)	.812-20 UNEF	.702 (17.83)
12	1.323 (33.60)	.938 (23.83)	.875-20 UNEF	.765 (19.43)
14	1.510 (38.35)	1.125 (28.58)	1.062-20 UN	.953 (24.21)
15	1.573 (39.95)	1.188 (30.18)	1.125-20 UN	1.015 (25.78)
21	1.750 (44.45)	1.375 (34.92)	1.4375-20 UN	1.312 (33.32)

Material/finish

- Shell : SST / See How to Order Table
- Insulator, hermetic: full glass
- Insulator, socket: high grade rigid dielectric
- Interfacial seal: fluorosilicone blend
- Contact, hermetic: nickel-iron alloy / gold plate
- Contact, socket: copper alloy / gold plated per ASTM B 488, Type II Class 1.25, over a suitable underplate
- O-ring: Viton, 90 shore / N.A.
- Cable adapter, crimp sleeve: copper alloy / gold plated

SERIES 802 AQUAMOUSE

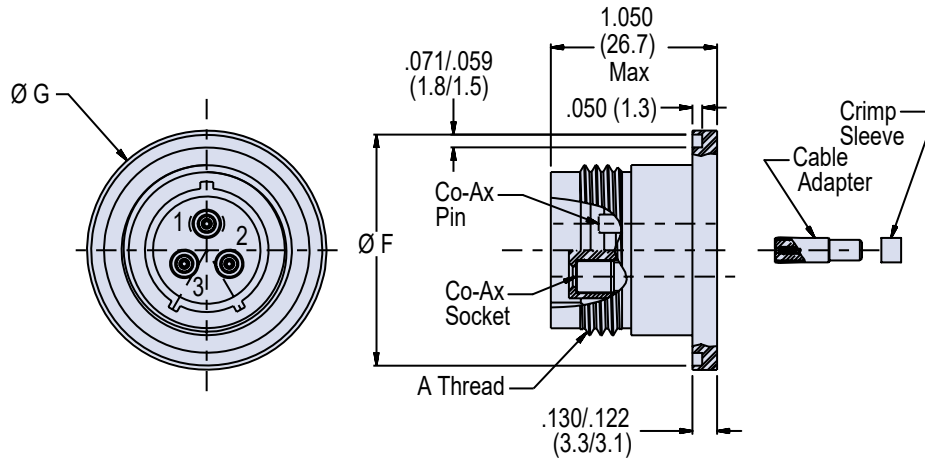


SERIES 802, 3500 PSI SUBMERSIBLE
AquaMouse Connectors and Cables



Hermetic Receptacle with Size 12 or 16 Coax
Contacts; 1000 PSI Open Face Rated

HERMETIC WELD MOUNT RECEPTACLE - SHELL STYLE 03

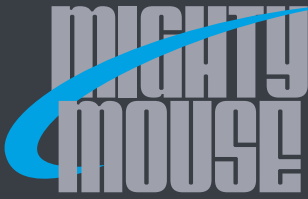


Dimensions			
Shell Size	$\varnothing G$ $\pm .006 (\pm 0.15)$	$\varnothing F$ $\pm .006 (\pm 0.15)$	A Mating Threads
5	.788 (20.02)	.745 (18.92)	.438-28 UNEF
6	.912 (23.16)	.869 (22.07)	.562-20 UN
7	.975 (24.76)	.933 (23.70)	.625-20 UN
8	1.038 (26.37)	.995 (25.27)	.687-20 UN
9	1.100 (27.94)	1.057 (26.85)	.750-20 UNEF
10	1.162 (29.51)	1.119 (28.42)	.812-20 UNEF
12	1.225 (31.12)	1.182 (30.02)	.875-20 UNEF
14	1.412 (35.86)	1.369 (34.77)	1.062-20 UN
15	1.475 (37.47)	1.432 (36.37)	1.125-20 UN
21	1.795 (45.59)	1.747 (44.37)	1.4375-20 UN

Material/finish

- Shell: SST / See How to Order Table
- Insulator, hermetic: full glass
- Insulator, socket: high grade rigid dielectric
- Interfacial seal: fluorosilicone blend
- Contact, hermetic: nickel-iron alloy / gold plate
- Contact, socket: copper alloy / gold plated per ASTM B 488, Type II Class 1.25, over a suitable underplate
- O-ring: Viton, 90 shore / N.A.
- Cable adapter, crimp sleeve: copper alloy / gold plated

SERIES 802 AQUAMOUSE

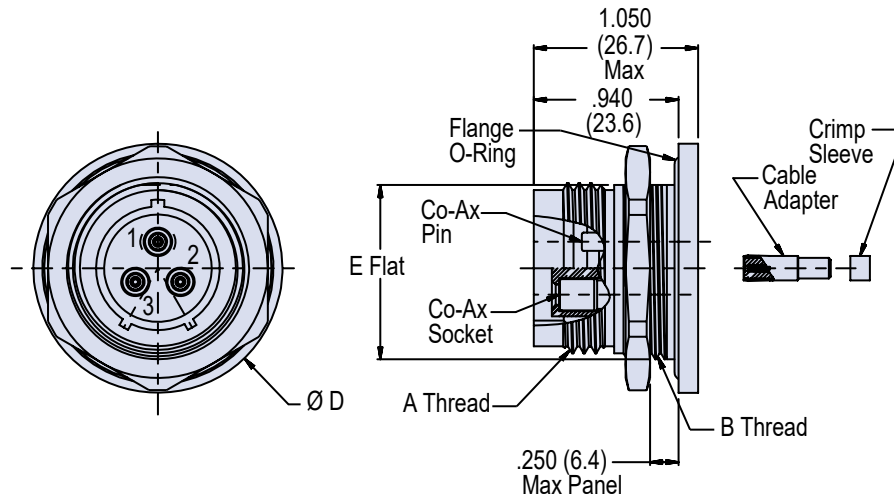


SERIES 802, 3500 PSI SUBMERSIBLE AquaMouse Connectors and Cables



Hermetic Receptacle with Size 12 or 16 Coax Contacts; 1000 PSI Open Face Rated

HERMETIC JAM-NUT, FRONT PANEL MOUNT RECEPTACLE - SHELL STYLE 07

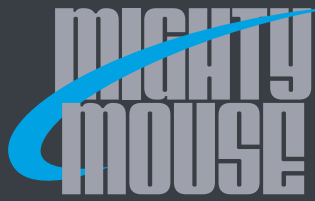


Dimensions				
Shell Size	D Max.	E Flat $\pm .003 (\pm 0.08)$	A Mating Threads	B Threads
5	.885 (22.48)	.466 (11.84)	.438-28 UNEF	.500-32 UN-2A
6	1.010 (25.65)	.591 (15.01)	.562-20 UN	.625-20 UN-2A
7	1.072 (27.23)	.653 (16.59)	.625-20 UN	.687-28 UN-2A
8	1.135 (28.83)	.716 (18.19)	.687-20 UN	.750-28 UN-2A
9	1.195 (30.35)	.778 (19.76)	.750-20 UNEF	.812-28 UN-2A
10	1.260 (32.00)	.827 (21.01)	.812-20 UNEF	.875-28 UN-2A
12	1.322 (33.58)	.890 (22.61)	.875-20 UNEF	.938-28 UN-2A
14	1.510 (38.35)	1.077 (27.36)	1.062-20 UN	1.125-28 UN-2A
15	1.572 (39.93)	1.140 (28.96)	1.125-20 UN	1.188-28 UN-2A
21	1.940 (49.28)	1.464 (37.19)	1.4375-20 UN	1.500-28 UN-2A

Material/finish

- Shell, jam-nut: SST / See How to Order Table
- Insulator, hermetic: full glass
- Insulator, socket: high grade rigid dielectric
- Interfacial seal: fluorosilicone blend
- Contact, hermetic: nickel-iron alloy / gold plate
- Contact, socket: copper alloy / gold plated per ASTM B 488, Type II Class 1.25, over a suitable underplate
- O-ring: Viton, 90 shore / N.A.
- Cable adapter, crimp sleeve: copper alloy / gold plated

SERIES 802 AQUAMOUSE



SERIES 802, 3500 PSI SUBMERSIBLE AquaMouse Connectors and Cables



Hermetic Receptacle, 1000 PSI Open Face Rated Jam-Nut Mount Bulkhead Feedthrough



Series 802 Hermetic Jam-Nut Mount, Bulkhead Feedthrough Receptacles provide a separable hermetic connection on both sides of a mounting panel. 100% tested to meet 5×10^{-8} ccHe/sec @ 1 atm helium leak rate. Gold plated iron alloy contacts and compression glass dielectric material. The passivated, stainless steel connector shell offers excellent corrosion protection. Available with pin to pin contacts. Power applied to a given contact on one end will result in power to contact directly opposite, regardless of contact identification letter. Shell sizes 5 thru 21 have a maximum open face rated test pressure of 1,000 PSI in one direction.

How To Order	
Sample Part Number	802-050 Z1 12-37 P P A 01 N
Series	802-050 = Bulkhead Feed-Thru Hermetic Receptacle
Shell Material and Finish	Z1 = 316 Stainless Steel / Passivated
Shell Size - Insert Arrangement (See Table I)	See Table III for available arrangements before referring to page F-3
Contact Type Jam-Nut Side	P = Pin
Contact Type Opposite Side	P = Pin
Polarization (See Table II)	A = Normal B = Pos. B C = Pos. C D = Pos. D E = Pos. E F = Pos. F
Panel Thickness (See Table III)	-01 = .500/1.000 -02 = 1.000/1.500 -03 = 1.500/2.000 -04 = 2.000/2.500 -05 = 2.500/3.000 -06 = 3.000/3.500 -07 = 3.500/4.000
O-ring Material	V = Viton N = Nitrile NA = No external o-rings supplied (suggested material: Nitrile)

Shell Size	Insert Arrangement(s)
5	-3
6	-1, -4, -6, -7, -23
7	-1, -10, -25
8	-1, -2, -13, -28, -200
9	-4, -19, -200, -201, -210
10	-2, -5, -26, -200, -201, -202
12	-2, -3, -7, -37, -200, -201, -220
14	-5, -12, -55, -235
15	-3, -7, -14, -85, -241
21	-12, -22, -130, -269

Panel Thickness Code	H Panel Thickness	J Maximum Length
-01	.500/1.000	2.450
-02	1.000/1.500	2.950
-03	1.500/2.000	3.450
-04	2.000/2.500	3.950
-05	2.500/3.000	4.450
-06	3.000/3.500	4.950
-07	3.500/4.000	5.450

Key Position	Key Rotation	
	A°	B°
A Normal	150°	210°
B	75°	210°
C	95°	230°
D	140°	275°
E	75°	275°
F	95°	210°

Contact Sizes	Test Voltage
23	750 Vac
20 HD	1000 Vac
16, 12, 8	1800 Vac

NOTES

- Mates with 802 series plugs
- Electrical safety limits and maximum usage pressure to be determined by the customer
- I.R.: 20,000 megohms test(@ 500 VDC minimum)
- Hermeticity: 5×10^{-8} ccHe/sec at 1 atm

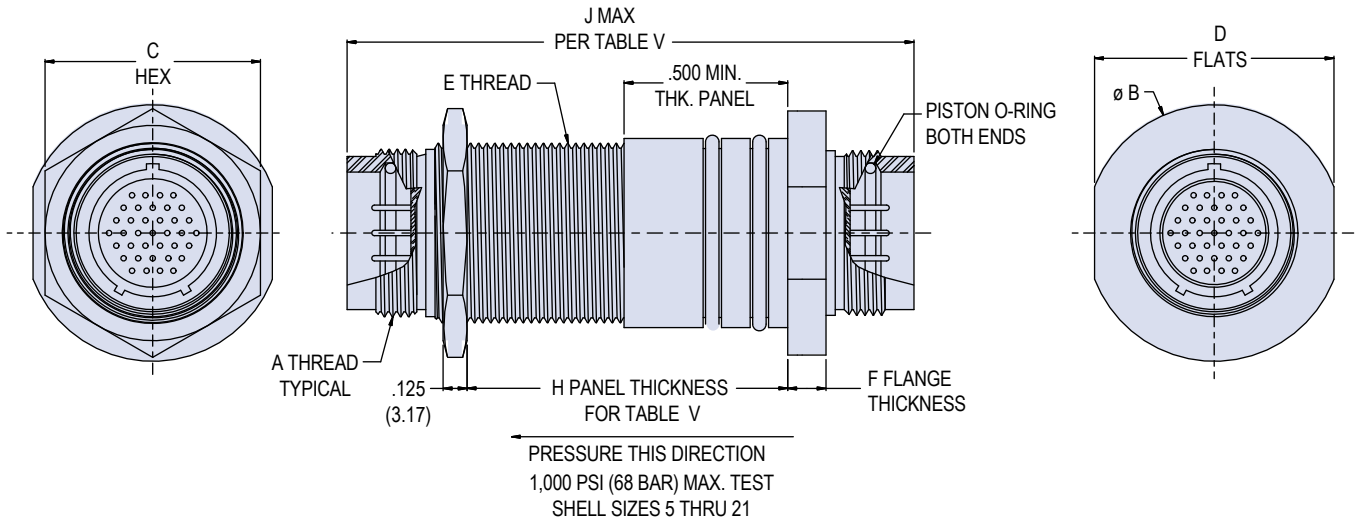


SERIES 802, 3500 PSI SUBMERSIBLE AquaMouse Connectors and Cables



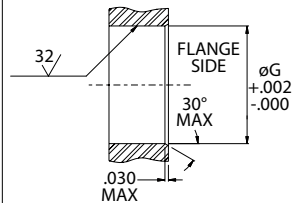
Hermetic Receptacle, 1000 PSI Open Face Rated Jam-Nut Mount Bulkhead Feedthrough

JAM-NUT MOUNT BULKHEAD FEED-THRU



Dimensions								
Shell Size	A Thread	Ø B Max	C Hex	D Flat	E Thread	Ø G	Ext. O-Ring	F
5	.4375-28 UNEF	.950 (24.13)	.688 (17.48)	.880 (22.35) .870 (22.10)	.5000-32 UN-2A	.562 (14.27)	2-013	.260 (6.60)
6	.5625-20 UN	1.150 (29.21)	.812 (20.62)	1.010 (25.65) 1.000 (25.40)	.6250-20 UN-2A	.687 (17.45)	2-015	.260 (6.60)
7	.6250-20 UN	1.225 (31.12)	.875 (22.23)	1.080 (27.43) 1.070 (27.18)	.6875-28 UN-2A	.750 (19.05)	2-016	.260 (6.60)
8	.6875-20 UN	1.275 (32.39)	.938 (23.83)	1.140 (28.96) 1.130 (28.70)	.7500-28 UN-2A	.812 (20.62)	2-017	.260 (6.60)
9	.7500-20 UNEF	1.325 (33.65)	1.000 (25.40)	1.205 (30.61) 1.195 (30.35)	.8125-28 UN-2A	.875 (22.23)	2-018	.260 (6.60)
10	.8125-20 UNEF	1.380 (35.05)	1.000 (25.40)	1.270 (32.26) 1.260 (32.00)	.8750-28 UN-2A	.937 (23.80)	2-019	.260 (6.60)
12	.8750-20 UNEF	1.462 (37.13)	1.125 (28.58)	1.330 (33.78) 1.320 (33.53)	.9375-28 UN-2A	1.000 (25.40)	2-020	.260 (6.60)
14	1.0625-20 UN	1.650 (41.91)	1.312 (33.32)	1.520 (38.61) 1.510 (38.35)	1.1250-28 UN-2A	1.187 (30.15)	2-023	.325 (8.25)
15	1.1250-20 UN	1.700 (43.18)	1.375 (34.92)	1.580 (40.13) 1.570 (39.88)	1.1875-28 UN-2A	1.250 (31.75)	2-024	.325 (8.25)
21	1.4375-20 UN	2.165 (54.99)	1.700 (43.18)	2.015 (51.18) 2.005 (50.93)	1.5000-28 UN-2A	1.625 (41.28)	2-029	.325 (8.25)

Jam-Nut Mount Bulkhead Feed-Thru, Panel Cutout Dimensions

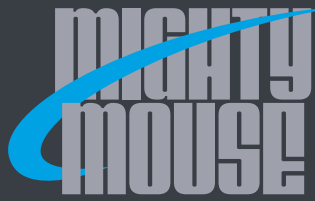


Shell Size	Ø G
5	.562 (14.27)
6	.687 (17.45)
7	.750 (19.05)
8	.812 (20.62)
9	.875 (22.23)
10	.937 (23.80)
12	1.000 (25.40)
14	1.187 (30.15)
15	1.250 (31.75)
19	1.625 (41.28)
21	1.263 (32.08)

Material/Finish

- Shell, jam-nut: SST / passivated
- Pin contacts: nickel-iron alloy/gold plate
- Insulators: high-grade rigid dielectric
- O-rings: specify, must be per Norsok M-710 standard / N.A.

SERIES 802 AQUAMOUSE



SERIES 802, 3500 PSI SUBMERSIBLE
AquaMouse Connectors and Cables



Shielded and Overmolded, 3500 PSI Watertight
Harsh Environment Cordsets (Mated Condition)

Series 802 Harsh Environment Shielded Cordsets



Overmolded AquaMouse™ cordsets are used in oil and gas pipeline equipment and other hostile environments where interconnect reliability and survivability is essential. High performance cordsets feature easy ordering and fast delivery. These fully shielded and watertight assemblies withstand abrasion, temperature extremes, and chemicals. Flexible overmolding provides rugged, watertight protection to wire and shield.

Product Features

- 3500 PSI (mated)
- Rugged, watertight construction
- 100% electrically tested
- BandMaster ATS Shield Termination
- Abrasion Resistant
- Resistant to chemicals
- Withstands UV and ozone

Harsh Environment Cordset Selection Guide

Property	Polyurethane Jacket Polyurethane Overmold
Cable jacket	Thermoplastic polyurethane (TPU), black
Overmold	Thermoset polyurethane, black
Operating temperature	-40° C. to +105° C.
Flexibility	Good
Water Resistance	3500 PSI (mated)
Solvent Resistance, Cable Jacket	Excellent
Solvent Resistance, Overmold	Excellent
Weatherability	Excellent
Abrasion Resistance	Excellent
Flammability	Flame retardant UL 94 V-0

Specifications

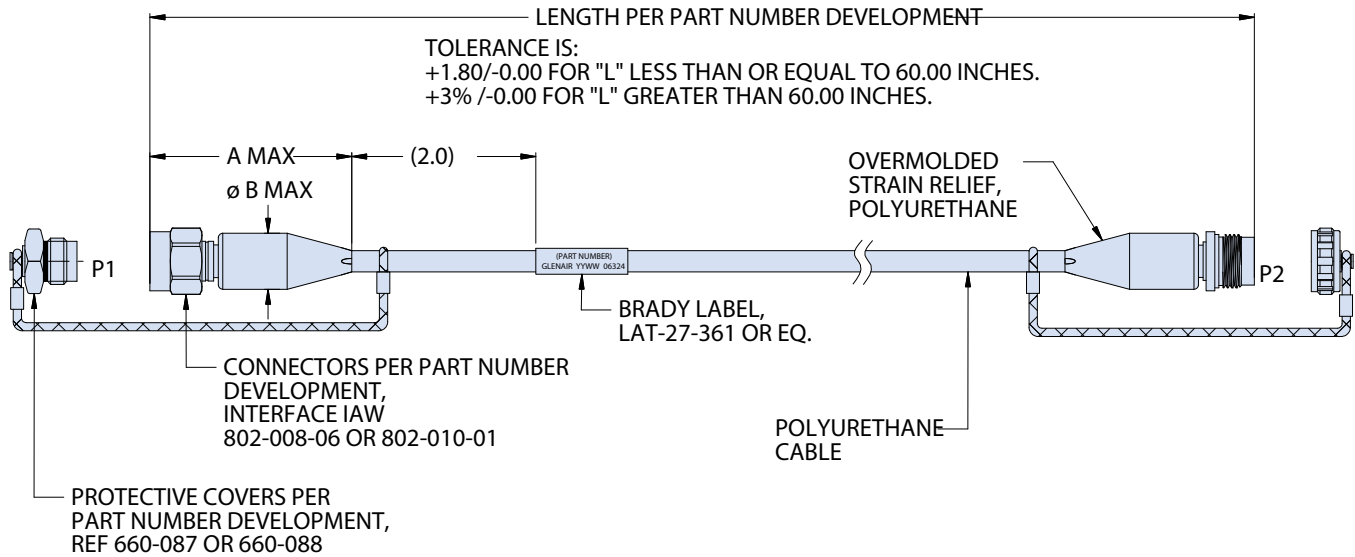
Cable jacket	Thermoplastic polyurethane, black
Overmold	thermoset polyurethane
Cable shield	Tin-coated copper braid, 90% minimum coverage
Conductors	Silver coated stranded wire, TFE insulated, per M22759/11
Shield Termination	Band-Master™ ATS stainless steel shield termination band
Current rating	#23-5 amps, #20-7.5 amps, #16-13 amps, #12-23 amps
Test voltage (DWV)	#23-500 Vac, #20-500 vac, #16 and #12-500 VAC sea level
Insulation resistance	200 Megohms minimum
Shielding effectiveness	50 dB minimum from 100MHz to 1000MHz.



SERIES 802, 3500 PSI SUBMERSIBLE AquaMouse Connectors and Cables



Shielded and Overmolded, 3500 PSI Watertight Harsh Environment Cordsets (Mated Condition)



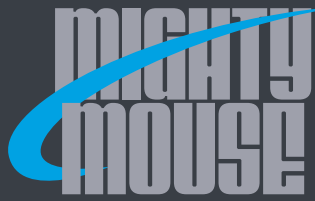
Dimensions				
Shell Size	A Max.		B Max.	
	In.	mm.	In.	mm.
5	2.31	58.67	0.5	12.70
6	2.40	60.96	0.55	13.97
7	2.50	63.50	0.65	16.51
8	2.52	64.01	0.70	17.78
9	2.80	71.12	0.75	19.05
10	2.75	69.85	0.80	20.32
11	2.85	72.39	0.85	21.59
12	3.10	78.74	0.90	22.86
14	3.40	86.36	1.10	27.94
15	3.40	86.36	1.20	30.48

Plug Key Positions		
Key Position	Key Rotation	
	A°	B°
A Normal	150°	210°
B	75°	210°
C	95°	230°
D	140°	275°
E	75°	275°
F	95°	210°

Receptacle Keyway Positions		
Key Position	Key Rotation	
	A°	B°
A (Normal)	150°	210°
B	75°	210°
C	95°	230°
D	140°	275°
E	75°	275°
F	95°	210°

NOTES

- Double-ended cordsets are wired pin #1 to pin #1, #2 to #2, and so on.
- Wires are silver-coated stranded copper with TFE insulation, 600V, in accordance with M22759/11.
- Wire color is IAW MIL-STD-681 for cables containing 10 wires or less. For cable containing more than 10 wires, wire color is white.



SERIES 802, 3500 PSI SUBMERSIBLE AquaMouse Connectors and Cables



Shielded and Overmolded, 3500 PSI Watertight Harsh Environment Cordsets (Mated Condition)

Series 802 Cordsets with #23 Contacts								
Sample Part Number								
802-058	-A	C	4	M	9-19	N	A	-36
Series	End A Connector	End B Connector	Wire Size	Shell Material/ Finish	Insert Arr.	Protective Cover	Shell Key Pos.	Length
802-058 Polyurethane Cable Jacket, Thermoset Polyurethane Overmold, 2500 PSI	-A Plug, with Male Pin Contacts	A Plug, with Male Pin Contacts	2 #22 AWG	Z1 Stainless Steel Shell / Passivated	See page F-3 for insert arr.	P Metal Protective Covers Included	A Normal	Overall Length In Inches
	-B Plug, with Female Socket Contacts	B Plug, with Female Socket Contacts	4 #24 AWG	ZM Stainless Steel Shell / Electroless Nickel Plated	Consult Factory for Combo Arr.	N No Covers Supplied	B Pos. B	12 Inch Min.
	-C Receptacle, with Male Pin Contacts	C Receptacle, with Male Pin Contacts		AB Marine Bronze Shell Unplated			C Pos. C	Consult factory for lengths over 1200 in. (100 ft)
	-D Receptacle, with Female Socket Contacts	D Receptacle, with Female Socket Contacts	N No Connector (Single-Ended)				D Pos. D E Pos. E F Pos. F	

Series 802 Cordsets with #20HD Contacts								
Sample Part Number								
802-059	-A	C	0	M	9-210	N	A	-36
Series	End A Connector	End B Connector	Wire Size	Shell Material / Finish	Insert Arr.	Protective Cover	Shell Key Pos.	Length
802-059 Polyurethane Cable Jacket, Thermoset Polyurethane Overmold, 2500 PSI Rated	-A Plug, with Male Pin Contacts	A Plug, with Male Pin Contacts	0 #20 AWG	Z1 Stainless Steel Shell/Passivated	See page F-3 for insert arr.	P Metal Protective Covers Included	A Normal	Overall Length In Inches
	-B Plug, with Female Socket Contacts	B Plug, with Female Socket Contacts	2 #22 AWG	ZM Stainless Steel Shell / Electroless Nickel Plated	Consult Factory for Combo Arr.	N No Covers Supplied	B Pos. B	12 Inch Min.
	-C Receptacle, with Male Pin Contacts	C Receptacle, with Male Pin Contacts		AB Marine Bronze Shell Unplated			C Pos. C	Consult factory for lengths over 1200 in. (100 ft)
	-D Receptacle, with Female Socket Contacts	D Receptacle, with Female Socket Contacts	N No Connector (Single-Ended)				D Pos. D E Pos. E F Pos. F	

SERIES 802 AQUAMOUSE



SERIES 802, 3500 PSI SUBMERSIBLE AquaMouse Connectors and Cables



Shielded and Overmolded, 3500 PSI Watertight Harsh Environment Cordsets (Mated Condition)

Series 802 Cordsets with #16 Contacts								
Sample Part Number								
802-060	-A	C	6	Z1	9-4	N	A	-48
Series	End A Connector	End B Connector	Wire Size	Shell Material/ Finish	Insert Arr.	Protective Cover	Shell Key Pos.	Length
802-060 Polyurethane Cable Jacket, Thermoset Polyurethane Overmold, 2500 PSI Rated	-A Plug, with Male Pin Contacts -B Plug, with Female Socket Contacts -C Receptacle, with Male Pin Contacts -D Receptacle, with Female Socket Contacts	A Plug, with Male Pin Contacts B Plug, with Female Socket Contacts C Receptacle, with Male Pin Contacts D Receptacle, with Female Socket Contacts N No Connector (Single-Ended)	6 #16 AWG 8 #18 AWG	Z1 Stainless Steel Shell / Passivated ZM Stainless Steel Shell / Electroless Nickel Plated AB Marine Bronze Shell Unplated	See page F-3 for insert arr. Consult Factory for Combo Arr.	P Metal Protective Covers Included N No Covers Supplied	A Normal B Pos. B C Pos. C D Pos. D E Pos. E F Pos. F	Overall Length In Inches 12 Inch Min. Consult factory for lengths over 1200 in. (100 ft)

Series 802 Cordsets with #12 Contacts								
Sample Part Number								
802-061	-A	C	0	M	10-2	N	A	-48
Series	End A Connector	End B Connector	Wire Size	Shell Material / Finish	Insert Arr.	Protective Cover	Shell Key Pos.	Length
802-061 Polyurethane Cable Jacket, Thermoset Polyurethane Overmold, 2500 PSI Rated	-A Plug, with Male Pin Contacts -B Plug, with Female Socket Contacts -C Receptacle, with Male Pin Contacts -D Receptacle, with Female Socket Contacts	A Plug, with Male Pin Contacts B Plug, with Female Socket Contacts C Receptacle, with Male Pin Contacts D Receptacle, with Female Socket Contacts N No Connector (Single-Ended)	2 #12 AWG 4 #14 AWG	Z1 Stainless Steel Shell / Passivated ZM Stainless Steel Shell / Electroless Nickel Plated AB Marine Bronze Shell Unplated	See page F-3 for insert arr. Consult Factory for Combo Arr.	P Metal Protective Covers Included N No Covers Supplied	A Normal B Pos. B C Pos. C D Pos. D E Pos. E F Pos. F	Overall Length In Inches 12 Inch Min. Consult factory for lengths over 1200 in. (100 ft)

SERIES 802 AQUAMOUSE



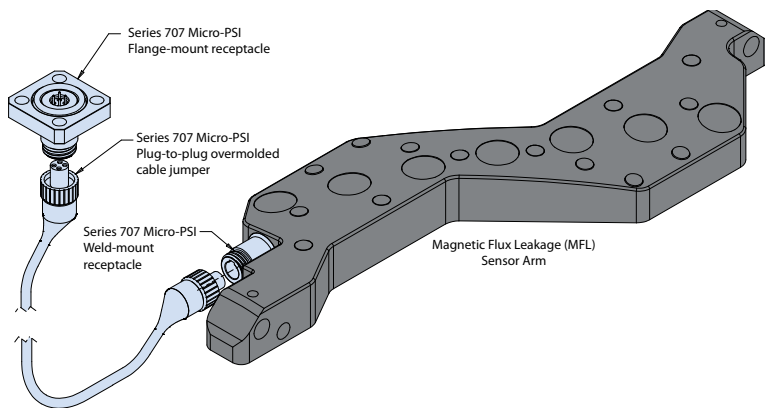
Series 707 Micro-PSI affords PIG designers the opportunity to design out legacy large form-factor connectors (such as shown in this picture) with a dramatically smaller interconnect solution.

10K PSI SOLUTION

Micro-PSI

Microminiature high-pressure connectors and cables

The Series 707 Micro-PSI is an ultraminiaturized 10K PSI high-pressure, high-temperature interconnect designed specifically for pipeline inspection applications in Magnetic Flux Leakage and ultrasonic pipeline inspection PIGs. The Micro-PSI insert arrangements feature two high-density micro TwistPin layouts for sensor applications and high-speed Gigabit Ethernet, and a Coax contact layout for 5 GHz performance. Micro-PSI connectors are supplied as discrete plugs, or overmolded plug cordsets with rugged Viton or Polyurethane jacketing. Bulkhead and flange mount receptacles are 10K psi open-face pressure sealed, and incorporate fused vitreous glass inserts for $<1 \times 10^{-7}$ scc He/sec hermetic performance. Serviceable O-rings on plugs and dual piston and face O-rings on receptacles provide high-reliability sealing.



Application example shows the 707 Micro-PSI used to interconnect an MFL sensor to on-board PIG data storage.



Actual size!

- 10,000 PSI pressure rated
- 5 GHz Coax
- Less than 1×10^{-7} scc He/sec @ 1 ATM pressure differential
- Special-purpose high density (.050" contact spacing) intelligent inspection (PIG) connector series
- 3 Amp high-speed Gigabit Ethernet-ready
- -20° to +150°C temperature range
- High-density, small form-factor

SERIES 802 AQUAMOUSE



SERIES 803 MIGHTY MOUSE

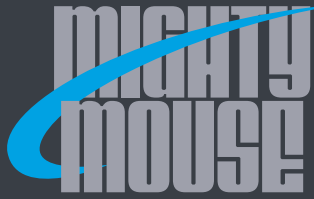
Quick-Disconnect Bayonet Coupling

*Quarter-turn to full-mate, crimp
rear-release contact connectors*



Glenair Series 803 quarter-turn bayonet-lock connector is ideal for light to medium duty applications such as handheld radios and test equipment. Splash-proof design for applications where full water immersion protection is not required.





SERIES 803 BAYONET-LOCK Mighty Mouse Connectors and Cables Product Selection Guide



Series 803

Connector features and benefits, connector weights, contact arrangement layouts, panel cut-out dimensions, and key/keyway position and polarization.

Page G-2



Series 803 Plug with Crimp Removable Contacts

Available in aluminum or stainless steel. The integral shield termination platform accepts heat-shrink boots, or select accessory threads for use with a variety of strain relief and backshell accessory options.

Page G-8



Series 803 Receptacle with Crimp Removable Contacts

Crimp contacts are rear release type. Available shell styles include jam-nut, square flange, and in-line shell style. The integral shield termination platform accepts heat-shrink boots (ordered separately), or select accessory threads for use with a variety of strain relief and backshell accessory options. Contacts are crimp-type and are packaged with the connector.

Page G-10



Series 803 Receptacle with Solder Cups or PC Tails

These panel mount connectors feature gold plated, factory-installed non-removable contacts. Choose printed circuit terminals, or choose solder cup contacts. Connectors are potted with epoxy and parylene compatible. Suitable for general purpose applications, or choose the silicone-sealed, leak-tested versions for 1 meter water immersion in unmated condition.

Page G-14



Series 803 Hermetic Receptacles with Solder Cups or PC Tails

Hermetic receptacle with stainless steel shells are glass-sealed and available with solder cup or PC tail contacts. Choose jam-nut or flange mount versions. Contacts are gold plated iron alloy. 100% tested to meet 1×10^{-7} cc/sec helium leakage. Open face pressure rating 1000 PSI.

Page G-16



Series 803 Bulkhead Feedthrough

Feed-thru connectors provide a separable connection on both side of a mounting panel. Available as rear panel mount jam-nut or front or rear panel mount elliptical flange. Aluminum or stainless steel shells provide corrosion resistance. Contacts available as pin to pin, pin to socket, or socket to socket styles.

Page G-18



Series 803 Shielded Overmolded Cordsets

Overmolded cordsets offer optimum convenience and performance. Low-smoke, zero halogen polyurethane jackets withstand abrasion and harsh environments or choose lightweight shield and overbraided jackets for maximum flexibility.

Page G-20



SERIES 803 Bayonet-Lock Connectors



Series 803 quarter-turn locking Mighty Mouse connectors for fast mating and demating of tactical equipment

Ideal for tactical handheld radios, sensors, test equipment, and autosport applications, the Series 803 Mighty Mouse adds fast mate and demate capabilities to this micro miniature connector series. Key features include small size, light weight, and fast assembly with crimp-and-poke contacts. Fluorosilicone seals resist most chemicals and provide splash-level environmental protection. Note, the Series 803 is not rated for full water immersion.

Bayonet Coupling Mechanism
Push-To-Mate, ¼ turn for locking.

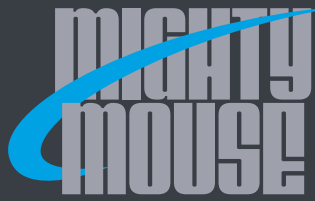
From 1 to 55 Contacts
Available in crimp, solder cup or printed circuit board versions. Aluminum or stainless steel shell.

Power and Signal Contacts
43 tooled insert arrangements with size #23, #20HD, #16, or #12 contacts.

SERIES 803 BAYONET-LOCK

Specifications	
Current Rating	#23–5 A, #20–7.5 A, #16–13 A, #12–23 A
Dielectric Withstanding Voltage	#23–750 VAC, #20HD–1000 VAC, #12 and #16–1800 VAC
Insulation Resistance	5000 megohms minimum
Operating Temperature	-65° C. to +175° C.
Shock	300 g.
Vibration	37 g.
Shielding Effectiveness	40 dB minimum from 100MHz to 1000MHz.
Durability	100 mating cycles (aluminum), 250 mating cycles (stainless steel)
See Series 80 General Information for complete performance specs.	

Materials and Finishes	
Shells, Jam-Nuts	Aluminum alloy or stainless steel
Contacts	Copper alloy, 50 µlnch gold plated
Insulators	High-grade rigid dielectric
Contact Retention Clip	Beryllium copper alloy
Interfacial Seal, O-rings, Wire Sealing Grommet	Fluorosilicone rubber
See Series 80 General Information for complete material and finish specs.	



SERIES 803 BAYONET-LOCK
Mighty Mouse Connectors and Cables
Plug and Receptacle Weights



Series 803 maximum Connector Weight in grams					
Contact Arr.	Cable Plug	J/N Recep Crimp	J/N Recep PCB	Flange Recep Crimp	Flange Recep PCB
5-3P	3.6	3.6	3.9	2.9	3.3
5-3S	3.7	3.7	4.0	3.1	3.4
6-1P	4.4	4.4	4.6	3.1	3.5
6-1S	4.5	4.5	4.7	3.2	3.6
6-4P	4.7	3.7	4.1	3.1	3.6
6-4S	4.7	4.0	4.2	3.2	3.7
6-6P	4.3	3.8	4.6	3.4	3.6
6-6S	4.5	4.1	4.7	3.6	3.7
6-7P	5.1	4.8	5.3	3.3	4.4
6-7S	5.1	5.1	5.5	3.6	4.4
7-1P	5.7	5.9	5.8	4.4	4.7
7-1S	5.9	6.2	5.9	4.7	5.1
7-10P	6.9	7.4	8.1	5.0	6.5
7-10S	7.4	7.8	8.4	5.4	6.6
7-25P	5.6	5.8	5.7	4.2	4.6
7-25S	5.9	6.2	5.8	4.7	5
8-2P	8.6	8.9	9.9	6.6	8.6
8-2S	9.4	9.7	10.7	7.4	9.4
8-13P	7.9	8.3	9.2	5.9	7.9
8-13S	8.7	8.9	9.7	6.6	8.1
8-28P	8.8	9.1	10.5	6.8	9.2
8-28S	9.9	10.2	11.3	7.9	10
8-200P	8.9	9.2	10.2	6.9	8.9
8-200S	9.6	9.9	10.9	6.9	9.6
9-4P	9.2	9.6	10.6	6.6	9.2
9-4S	9.6	9.9	10.9	6.9	9.6
9-19P	9.2	9.1	10.6	7.0	9.9
9-19S	10.2	10.1	11.2	8.1	10.2
9-200P	9.1	9.5	10.5	7.2	9.1
9-200S	10.2	10.6	11.6	8.3	10.2
9-201P	9.2	9.6	10.6	7.3	10.3
9-201S	9.8	10.1	11.7	8.4	10.3
9-210P	9	9.4	10.1	6.4	8.7
9-210S	9.6	9.9	10.7	6.9	9.3
10-2P	13.1	13.8	14.1	10.4	13
10-2S	14.5	15.1	16.7	11.7	14.5
10-5P	13.4	14.1	15.0	10.6	13.9
10-5S	14.9	15.5	17.5	12.0	15.3
10-26P	11.7	12.3	14.3	8.8	12.8
10-26S	13.4	13.6	15.1	10.1	13.1
10-200	12.5	13.2	15.2	9.7	13.0

Series 803 maximum Connector Weight in grams					
Contact Arr.	Cable Plug	J/N Recep Crimp	J/N Recep PCB	Flange Recep Crimp	Flange Recep PCB
10-200	14.0	14.6	16.6	11.1	14.4
10-201P	12.9	13.5	15.5	10.0	13.3
10-201S	14.4	15.1	17.1	11.6	14.9
10-202P	12.4	13.1	15.1	9.6	11.8
10-202S	14.0	14.6	16.6	11.1	14.4
12-2P	15.5	16.4	19.1	11.4	16.9
12-2S	17.2	18.0	20.8	13.1	18.6
12-3P	16.5	17.4	20.1	12.4	17.9
12-3S	18.3	19.1	21.9	14.2	19.7
12-7P	16.7	17.6	20.4	12.7	18.2
12-7S	19.4	20.2	23.0	15.3	20.8
12-37P	15.0	15.8	18.6	10.9	16.4
12-37S	16.6	17.5	19.6	12.4	16.7
12-200P	15.6	16.5	19.3	11.6	17.1
12-200S	17.9	18.8	21.6	13.9	19.4
12-201P	15.7	16.6	19.4	11.7	17.2
12-201S	18.2	19.0	21.8	14.1	19.6
12-202P	15.6	16.4	20.5	12.2	18.3
12-202S	17.6	18.4	22.1	14.2	19.9
12-203P	15.9	16.8	21	12.5	18.8
12-203S	17.9	18.7	22.5	14.5	20.3
12-204P	16	16.2	21	12.6	18.6
12-204S	18	18.8	22.5	14.6	20.3
12-205P	17.1	18	22.6	13.7	20.4
12-205S	19	19.8	24.5	15.6	22.3
12-220P	16.3	17.2	21.4	12.9	19.2
12-220S	18.7	19.5	23.3	15.3	21.1
14-5P	22.2	23.5	27.7	17.3	25.5
14-5S	24.8	26.1	29.3	19.8	25.1
14-12P	22.7	24	29.7	17.6	27.5
14-12S	25.4	26.7	30.9	20.4	26.7
14-204P	21	22.3	27.6	15.9	25.4
14-204S	24.1	25.4	28.7	19.1	24.5
14-205P	21.3	22.6	28.1	16.2	25.9
14-205S	24.4	25.7	29.1	19.4	24.9
14-206P	21.5	22.8	28.2	16.4	26
14-206S	24.6	25.9	29.4	19.6	25.2
14-207P	22.3	23.6	29.1	17.2	26.9
14-207S	25.3	26.6	30.6	20.3	26.4
14-235P	22.6	23.9	29.6	17.5	27.4
14-235S	26.3	27.6	31.3	21.3	27.1
14-55P	19.6	20.9	25.1	14.6	22.9
14-55S	22.6	23.9	27.1	17.6	23.9

SERIES 803 BAYONET-LOCK



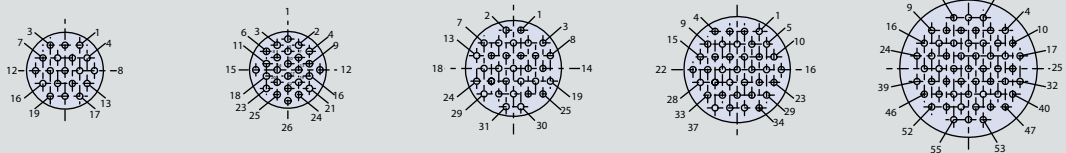
SERIES 803 BAYONET-LOCK
Mighty Mouse Connectors and Cables
Standard Contact Arrangements,
Mating Face of Pin Insert Shown



SIZE #23 CONTACT ARRANGEMENTS, TESTED AT 750 VAC

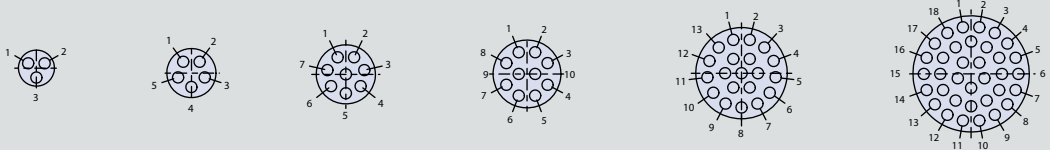


Insert Arrangement	5-3	6-4	6-6	6-7	7-10	8-13
No. of Contacts	3	4	6	7	10	13



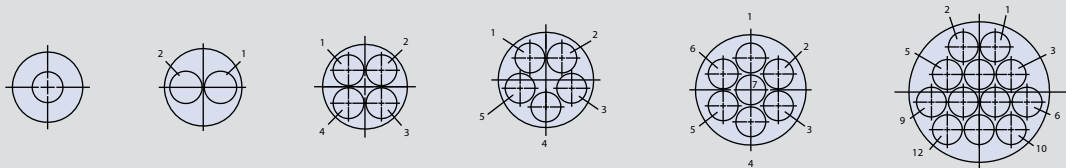
Insert Arrangement	9-19	10-26	11-31	12-37	14-55
No. of Contacts	19	26	31	37	55

SIZE #20HD CONTACT ARRANGEMENTS, TESTED AT 1000 VAC



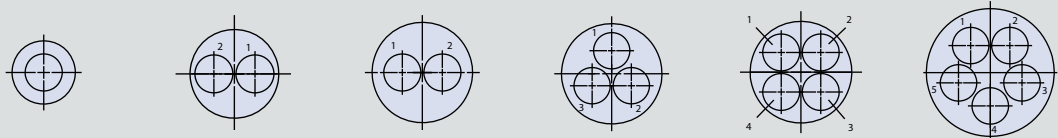
Insert Arrangement	6-23	7-25	8-28	9-210	12-220	14-235
No. of Contacts	3	5	8	10	20	35

SIZE #16 CONTACT ARRANGEMENTS, TESTED AT 1800 VAC



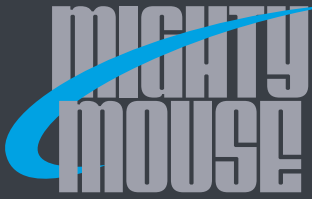
Insert Arrangement	6-1	8-2	9-4	10-5	12-7	14-12
No. of Contacts	1	2	4	5	7	12

SIZE #12 CONTACT ARRANGEMENTS, TESTED AT 1800 VAC



Insert Arrangement	7-1	10-2	12-2	12-3	14-4	14-5
No. of Contacts	1	2	2	3	4	5

SERIES 803 BAYONET-LOCK



SERIES 803 BAYONET-LOCK
Mighty Mouse Connectors and Cables



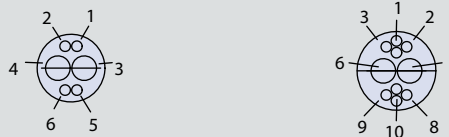
Combo Contact Arrangements,
Mating Face of Pin Insert Shown

SIZE # 20 AND SIZE #23, COMBO CONTACT ARRANGEMENTS, TESTED AT 750 VAC



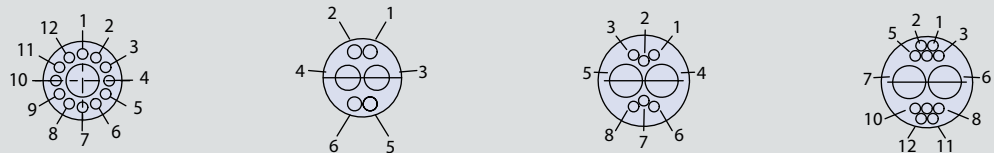
Insert Arrangement	8-200		9-201	
Contact Size	#20	#23	#20	#23
No. of Contacts	2	4	2	8

SIZE #16 AND SIZE #23, COMBO CONTACT ARRANGEMENTS, TESTED AT 750 VAC



Insert Arrangement	9-200		10-202	
Contact Size	#16	#23	#16	#23
No. of Contacts	2	4	2	8

SIZE #12 AND SIZE #23 SIGNAL, COMBO CONTACT ARRANGEMENTS, TESTED AT 750 VAC



Insert Arrangement	10-200		10-201		12-200		12-201	
Contact Size	#12	#23	#12	#23	#12	#23	#12	#23
No. of Contacts	1	12	2	4	2	6	2	10

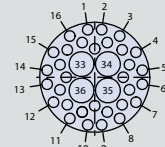
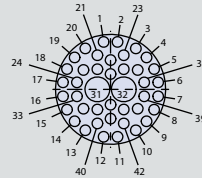
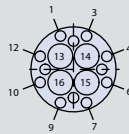
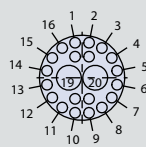
SERIES 803 BAYONET-LOCK



SERIES 803 BAYONET-LOCK
Mighty Mouse Connectors and Cables
Combo Contact Arrangements,
Mating Face of Pin Insert Shown

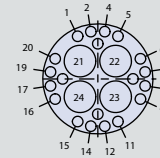
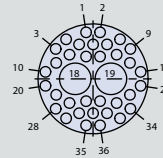
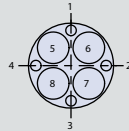
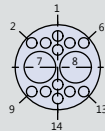


SIZE #16 POWER AND SIZE #23 SIGNAL, COMBO CONTACT ARRANGEMENTS, TESTED AT 1300 VAC



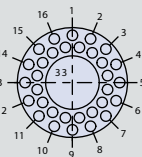
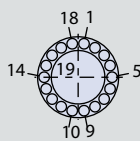
Insert Arrangement	12-202		12-203		14-204		14-205	
Contact Size	#16	#23	#16	#23	#16	#23	#16	#23
No. of Contacts	2	20	4	12	2	40	4	32

SIZE #12 POWER AND SIZE #23 SIGNAL, COMBO CONTACT ARRANGEMENTS, TESTED AT 1300 VAC



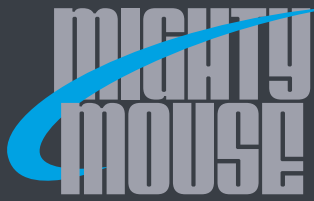
Insert Arrangement	12-204		12-205		14-206		14-207	
Contact Size	#12	#23	#12	#23	#12	#23	#12	#23
No. of Contacts	2	12	4	4	2	34	4	20

SIZE #8 POWER AND SIZE #23 SIGNAL, COMBO CONTACT ARRANGEMENTS, TESTED AT 1300 VAC



Insert Arrangement	11-201		14-208	
Contact Size	#8	#23	#8	#23
No. of Contacts	1	18	1	32

SERIES 803 BAYONET-LOCK



Panel Cutout Dimensions and Polarization

PANEL CUTOUT DIMENSIONS

Jam-Nut Panel Cutout Dimensions		
Shell Size	A Flat ± .002 (.05)	Ø B
5	.355 (9.02)	.385 (9.78) .380 (9.65)
6	.415 (10.54)	.447 (11.35) .442 (11.23)
7	.541 (13.74)	.577 (14.66) .567 (14.40)
8	.601 (15.27)	.635 (16.13) .630 (16.00)
9	.601 (15.27)	.635 (16.13) .630 (16.00)
10	.729 (18.52)	.760 (19.30) .755 (19.18)
12	.850 (21.59)	.885 (22.48) .880 (22.35)
14	1.031 (26.19)	1.072 (27.23) 1.067 (27.10)

Flange Mount Panel Cutout Dimensions		
Shell Size	A	Ø B
5	.513 (13.03)	.382 (9.70)
6	.598 (15.19)	.445 (11.30)
7	.708 (17.98)	.520 (13.21)
8	.964 (24.49)	.592 (15.04)
9	1.017 (25.83)	.645 (16.38)
10	1.101 (27.97)	.726 (18.44)
12	1.204 (30.58)	.832 (21.13)
14	1.280 (32.51)	.950 (24.13)

POLARIZATION

Plug Keyway Polarization		
Pos.	A°	B°
N	150°	210°
X	75°	210°
Y	95°	230°
Z	140°	275°

Receptacle Keyway Polarization		
Pos.	A°	B°
N	150°	210°
X	75°	210°
Y	95°	230°
Z	140°	275°

SERIES 803 BAYONET-LOCK



SERIES 803 BAYONET-LOCK Mighty Mouse Connectors and Cables



Plug with Banding Platform or Rear Accessory Threads and Crimp Contacts



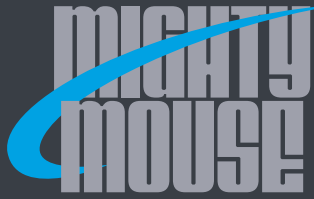
The compact size and rugged design of the Series 803 makes it suitable for light-to-medium duty applications where full water immersion is not required. Splash-proof design withstands exposure to rain and condensation. Bayonet coupling mechanism uses a rotating coupling nut on the plug and three integral bayonet pins on the receptacle. Push to mate, then rotate the coupling nut 90° to lock. Connector shells are machined aluminum or stainless steel. Supplied with crimp contacts, packaged separately. Terminate contacts with standard M22520 tools. Metal clips inside the connector body lock contact into place. Contacts are removable. Fluorosilicone seals and rear grommet protect connector from water ingress. Terminate cable shield directly to connector body with Band-Master ATS® strap, or choose rear accessory thread versions to attach optional cable clamps or backshells. Available in shell sizes 5 through 14 in 46 contact arrangements.

How To Order	
Sample Part Number	803-001 -06 NF 9-19 P N
Series (See Table I)	803-001 = Plug with Banding Platform 803-002 = Plug with Accessory Thread
Shell Style	-06 = Plug
Shell Material and Finish	C = Aluminum / Black Anodize (Non-Conductive) M = Aluminum / Electroless Nickel MT = Aluminum / Nickel-PTFE NF = Aluminum / Cadmium with Olive Drab Chromate ZN = Aluminum / Zinc-Nickel with Olive Drab Chromate ZNU = Aluminum / Zinc-Nickel with Black Chromate Z1 = Stainless Steel / Passivated UCR = Aluminum / Zinc-Cobalt with Black Chromate
Shell Size - Insert Arrangement	See Contact Arrangements Page G-4
Contact Type	Connector supplied with contacts Connector supplied without contacts P = Pin A = Pin Connector, less contacts S = Socket B = Socket Connector, less contacts Connectors with contacts are supplied with crimp contacts. Contacts not installed. For Coax contacts, order contacts separately and request pin or socket connector without contacts. El Ochoito Contacts are not available.
Polarization (See Table II)	N = Normal X = Pos. X Y = Pos. y Z = Pos. Z

Table I: Series	
803-001 Plug with Banding Platform	803-002 Plug with Accessory Thread

Table II: Keyway Polarization			
Pos.	A°	B°	
N	150°	210°	
X	75°	210°	
Y	95°	230°	
Z	140°	275°	

SERIES 803 BAYONET-LOCK



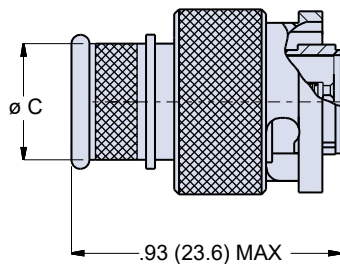
SERIES 803 BAYONET-LOCK

Mighty Mouse Connectors and Cables

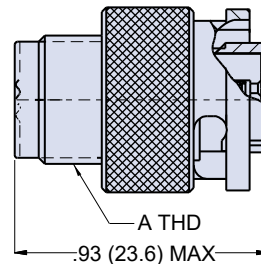


Plug with Banding Platform or Rear Accessory Threads and Crimp Contacts

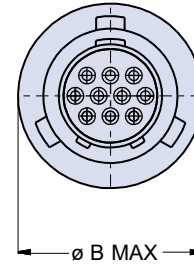
PLUG CONNECTOR



Integral Band Platform
803-001



Accessory Thread
803-002

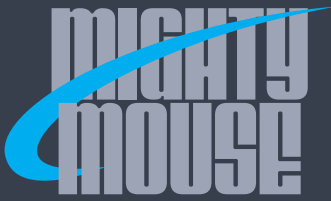


Dimensions			
Shell Size	A Thread	Ø B Max	Ø C
5	.2500-32 UNEF-2A	.500 (12.70)	.245 (6.22)
6	.3125-32 UNEF-2A	.565 (14.35)	.290 (7.37)
7	.4375-28 UNEF-2A	.650 (16.51)	.390 (9.91)
8	.5000-28 UNEF-2A	.750 (19.05)	.440 (11.18)
9	.5625-24 UNEF-2A	.790 (20.07)	.500 (12.70)
10	.6250-24 UNEF-2A	.875 (22.23)	.562 (14.27)
12	.6875-24 UNEF-2A	.944 (23.98)	.650 (16.51)
14	.9375-20 UNEF-2A	1.095 (27.81)	.805 (20.45)

NOTES

- Contacts are size 23 crimp type, and are used in a rear release retention system
- For additional insert arrangements consult factory
- Crimp barrel accommodates 22, 24, 26 and 28 gage wire
- Crimp Tool Data:
 - Crimp Frame: M22520/2-01
 - Positioner for use with crimp frame: Glenair part no. 809-005
 - Insertion tool: Glenair part no. 809-013
 - Extraction tool: Glenair part no. 809-007 (metal tweezers type tool)
- Material and Finish
 - Shell, coupling nut, jam-nut: Aluminum alloy or CRES / see how to order table
 - Insulator: High Grade Rigid Dielectric / N.A.
 - Interfacial seal, grommet seal, O-ring: fluorosilicone / N.A.
 - Contact: copper alloy / gold plate per ASTM B 488m, Type II, Code C, Class 1.25, over suitable underplate

SERIES 803 BAYONET-LOCK



SERIES 803 BAYONET-LOCK Mighty Mouse Connectors and Cables



Receptacles with Rear Release Crimp Contacts, Banding Porch or Accessory Threads



Series 803 receptacles are available in three shell styles with push-to-mate, ¼ turn-to-lock mating. These quick-mating connectors feature bayonet pins on the receptacle. Push connectors together, and rotate the plug coupling nut 90° to lock connectors. Supplied with crimp contacts, packaged separately. Terminate rear-removable contacts with standard M22520 tools. Metal clips inside the connector body lock contact into place. Fluorosilicone interfacial seal and rear grommet protect from water ingress. Integral band platform and boot groove for direct attachment of cable shield, optimized for Band-Master ATS® bands (sold separately). Select accessory thread option for backshells or strain relief attachments.

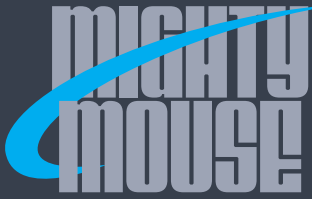
How To Order	
Sample Part Number	803-003 -07 NF 6-7 S N
Series (See Table I)	803-003 = Receptacle with Banding Platform 803-004 = Receptacle with Accessory Thread
Shell Style (See Table II)	-01 = In-Line -02 = Flange Mount -07 = Jam-Nut
Shell Material and Finish	C = Aluminum / Black Anodize (Non-Conductive) M = Aluminum / Electroless Nickel MT = Aluminum / Nickel-PTFE NF = Aluminum / Cadmium with Olive Drab Chromate ZNU = Aluminum / Zinc-Nickel with Black Chromate Z1 = Stainless Steel / Passivated
Shell Size - Insert Arrangement	See Contact Arrangements Page G-4
Contact Type	Connector supplied with contacts Connector supplied without contacts P = Pin A = Pin Connector, less contacts S = Socket B = Socket Connector, less contacts Connectors with contacts are supplied with crimp contacts. Contacts not installed. For Coax contacts, order contacts separately and connector without contacts. EI Ochito Contacts are not available.
Polarization (See Table III)	N = Normal X = Pos. X Y = Pos. y Z = Pos. Z

Table III: Keyway Polarization		
Pos.	A°	B°
N	150°	210°
X	75°	210°
Y	95°	230°
Z	140°	275°

Table I: Series	
803-003 Plug with Banding Platform	803-004 Plug with Accessory Thread

Table II: Shell Style		
-01 In-line	-02 Flange Mount	-07 Jam-Nut

SERIES 803 BAYONET-LOCK



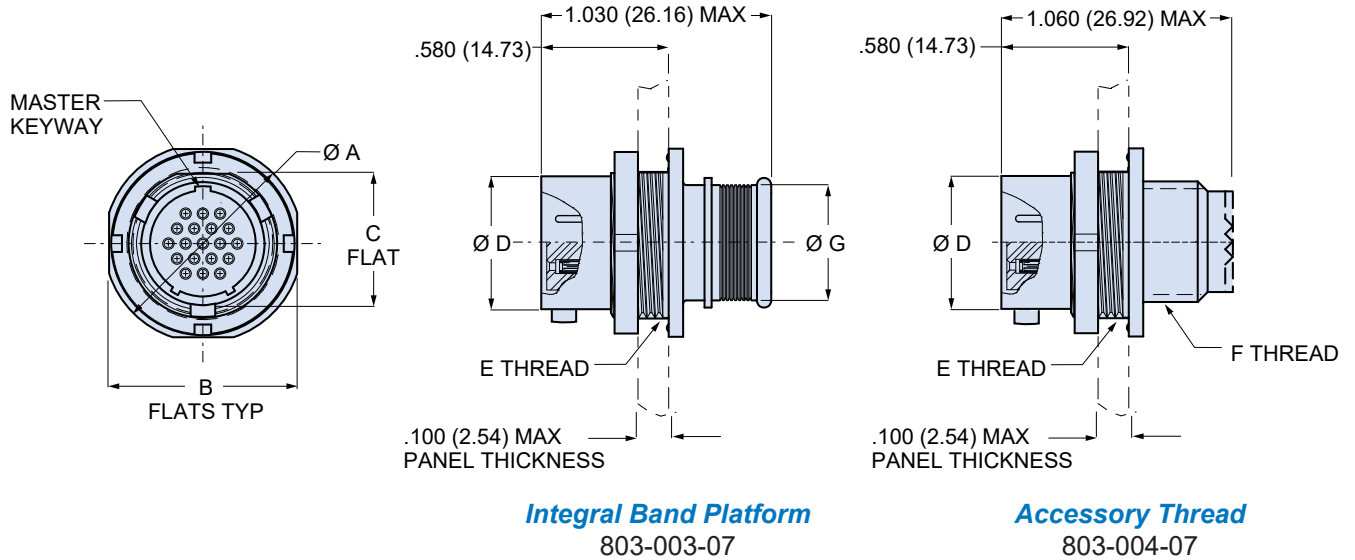
SERIES 803 BAYONET-LOCK

Mighty Mouse Connectors and Cables



Receptacles with Rear Release Crimp Contacts, Banding Porch or Accessory Threads

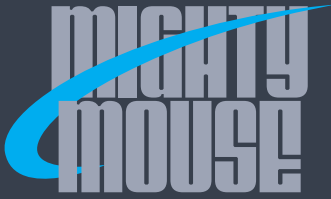
JAM-NUT REAR PANEL MOUNT RECEPTACLE - SHELL STYLE 07



Dimensions							
Shell Size	Ø A	B Flats	C Flat	Ø D	E Thread	F Thread	Ø G
5	.575 (14.60)	.545 (13.84)	.350 (8.89)	.300 (7.62)	.3750-32 UNEF-2A	.2500-32 UNEF-2A	.230 (5.84)
6	.635 (16.13)	.595 (15.11)	.410 (10.41)	.362 (9.19)	.4375-28 UNEF-2A	.3125-32 UNEF-2A	.286 (7.26)
7	.755 (19.18)	.723 (18.36)	.536 (13.61)	.436 (11.07)	.5625-32 UN-2A	.4375-28 UNEF-2A	.390 (9.91)
8	.830 (21.08)	.790 (20.07)	.593 (15.06)	.508 (12.90)	.6250-28 UN-2A	.5000-28 UNEF-2A	.440 (11.18)
9	.830 (21.08)	.790 (20.07)	.593 (15.06)	.561 (14.25)	.6250-28 UN-2A	.5625-24 UNEF-2A	.500 (12.70)
10	.955 (24.26)	.925 (23.50)	.721 (18.31)	.635 (16.13)	.7500-28 UN-2A	.6250-24 UNEF-2A	.562 (14.27)
11	1.078 (27.38)	1.044 (26.52)	.845 (21.46)	.672 (17.07)	.8750-28 UN-2A	.6875-25 UNED-2A	.605 (15.37)
12	1.078 (27.38)	1.044 (26.52)	.845 (21.46)	.714 (18.14)	.8750-28 UN-2A	.6875-24 UNEF-2A	.650 (16.51)
14	1.264 (32.11)	1.230 (31.24)	1.022 (25.96)	.865 (21.97)	1.0625-20 UN-2A	.9375-20 UNEF-2A	.805 (20.45)
15	1.325 (33.65)	1.290 (32.77)	1.096 (27.84)	.925 (23.50)	1.1250-28 UN-2A	.9375-20 UNEF-2A	.850 (21.59)

NOTES

- Contacts are size 23 crimp type, and are used in a rear release retention system
- For additional insert arrangements consult factory
- Crimp barrel accommodates 22, 24, 26 and 28 gage wire
- Connector mates with all bayonet plug connectors with same polarization and opposite contact gender
- See page G-7 for recommended panel cut-out dimensions
- Crimp Tool Data:
 - Crimp Frame: M22520/2-01
 - Positioner for use with crimp frame: "Glenair Part No. 809-005
- Insertion tool: Glenair part no. 809-013
- Extraction tool: Glenair part no. 809-007 (metal) and 809-0019 (plastic)
- Material and Finish
 - Shell, jam-nut: Aluminum alloy or CRES / see how to order table
 - Insulator: High Grade Rigid Dielectric / N.A.
 - Interfacial seal, grommet seal: fluorosilicone / N.A.
 - Contact: copper alloy / gold plate per ASTM B 488, Type II, Class 1.25, over suitable underplate



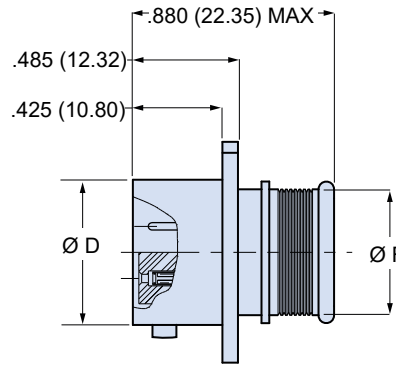
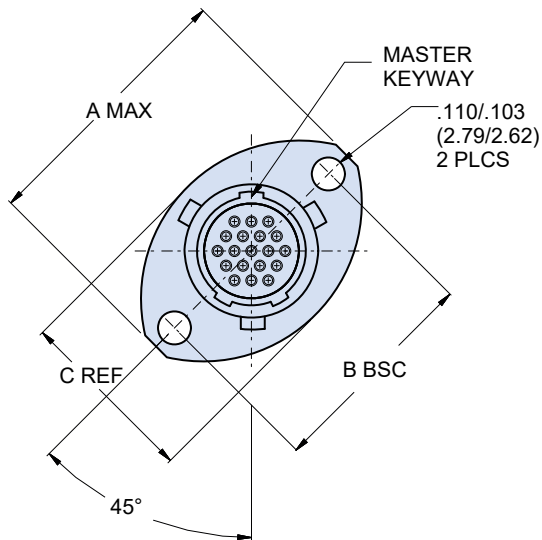
SERIES 803 BAYONET-LOCK

Mighty Mouse Connectors and Cables

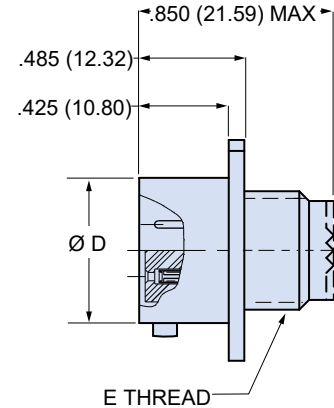


Receptacles with Rear Release Crimp Contacts, Banding Porch or Accessory Threads

FLANGE MOUNT FRONT OR REAR PANEL MOUNT RECEPTACLE - SHELL STYLE 02



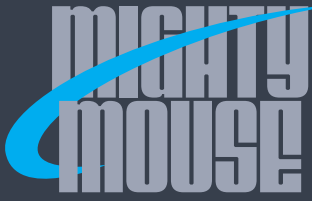
Integral Band Platform
803-003-02



Accessory Thread
803-004-02

Dimensions						
Shell Size	A Max.	B Bsc.	C Ref.	Ø D	E Thread	Ø F
5	.703 (17.86)	.513 (13.03)	.460 (11.68)	.300 (7.62)	.2500-32 UNEF-2A	.230 (5.84)
6	.788 (20.02)	.598 (15.19)	.522 (13.26)	.362 (9.19)	.3125-32 UNEF-2A	.286 (7.26)
7	.890 (22.61)	.708 (17.98)	.590 (14.99)	.436 (11.07)	.4375-28 UNEF-2A	.390 (9.91)
8	1.154 (29.31)	.964 (24.49)	.668 (16.97)	.508 (12.90)	.5000-28 UNEF-2A	.440 (11.18)
9	1.207 (30.66)	1.017 (25.83)	.721 (18.31)	.561 (14.25)	.5625-24 UNEF-2A	.500 (12.70)
10	1.291 (32.79)	1.101 (27.97)	.795 (20.19)	.635 (16.13)	.6250-24 UNEF-2A	.562 (14.27)
12	1.394 (35.41)	1.204 (30.58)	.874 (22.20)	.714 (18.14)	.6875-24 UNEF-2A	.650 (16.51)
14	1.545 (39.24)	1.280 (32.51)	1.050 (26.67)	.865 (21.97)	.9375-20 UNEF-2A	.805 (20.45)

SERIES 803 BAYONET-LOCK

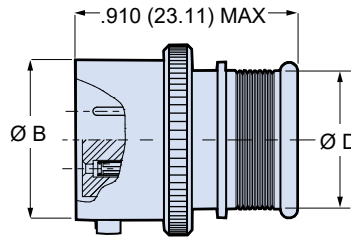
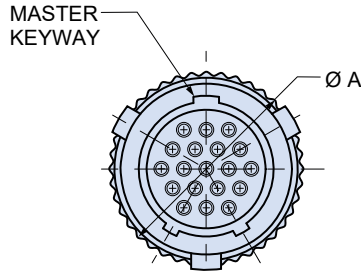


SERIES 803 BAYONET-LOCK
Mighty Mouse Connectors and Cables

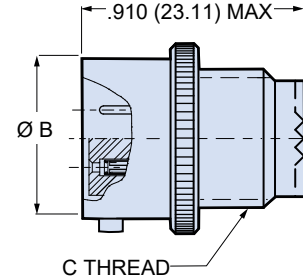


Receptacles with Rear Release Crimp Contacts,
Banding Porch or Accessory Threads

IN-LINE CABLE RECEPTACLE - SHELL STYLE 01



Integral Band Platform
803-003-01



Accessory Thread
803-004-01

Dimensions				
Shell Size	Ø A Max.	Ø B	C Thread	Ø D
5	.402 (10.21)	.300 (7.62)	.2500-32 UNEF-2A	.230 (5.84)
6	.465 (11.81)	.362 (9.19)	.3125-32 UNEF-2A	.286 (7.26)
7	.500 (12.70)	.436 (11.07)	.4375-28 UNEF-2A	.390 (9.91)
8	.570 (14.48)	.508 (12.90)	.5000-28 UNEF-2A	.440 (11.18)
9	.652 (16.56)	.561 (14.25)	.5625-24 UNEF-2A	.500 (12.70)
10	.715 (18.16)	.635 (16.13)	.6250-24 UNEF-2A	.562 (14.27)
12	.805 (20.45)	.714 (18.14)	.6875-24 UNEF-2A	.650 (16.51)
14	.915 (23.24)	.865 (21.97)	.9375-20 UNEF-2A	.805 (20.45)

SERIES 803 BAYONET-LOCK



SERIES 803 BAYONET-LOCK Mighty Mouse Connectors and Cables



Panel Mound PC Tail or Solder Cup Receptacles



803-005 Environmental, PCB Receptacle Connectors feature low-profile shells for minimum protrusion inside enclosures as well as integral board standoffs for efficient board attachment. Contacts are non-removable. Specify 803-015 connectors for applications where open-face water immersion is a requirement.

803-015 Water-Tight PCB Receptacle Connectors are identical to 803-005, but are specially sealed ("MOD-518") and 100% tested to meet 1×10^{-7} ccHe/sec @ 1 atm helium leak rate. Connectors meet MIL-STD-810 Method 512G immersion requirements in unmated/open face condition.

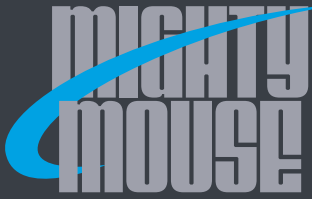
How To Order	
Sample Part Number	803-005 -02 ZNU 6-7 S N
Series	803-005 = Receptacle, Solder Cup or PCB Contacts 803-015 = Receptacle, Solder Cup or PCB Contacts; Watertight
Shell Style (See Table I)	-02 = Flange Mount -07 = Jam-Nut
Shell Material and Finish	C = Aluminum / Black Anodize (Non-Conductive) M = Aluminum / Electroless Nickel MT = Aluminum / Nickel-PTFE NF = Aluminum / Cadmium with Olive Drab Chromate ZNU = Aluminum / Zinc-Nickel with Black Chromate Z1 = Stainless Steel / Passivated
Shell Size - Insert Arrangement	See Contact Arrangements Page G-4
Contact Type	P = Pin, PC Tail E = Pin, Solder Cup S = Socket, PC Tail F = Socket, Solder Cup
Polarization (See Table II)	N = Normal X = Pos. X Y = Pos. y Z = Pos. Z

Table I: Shell Style

-02 Flange Mount	-07 Jam-Nut

Table II: Keyway Polarization

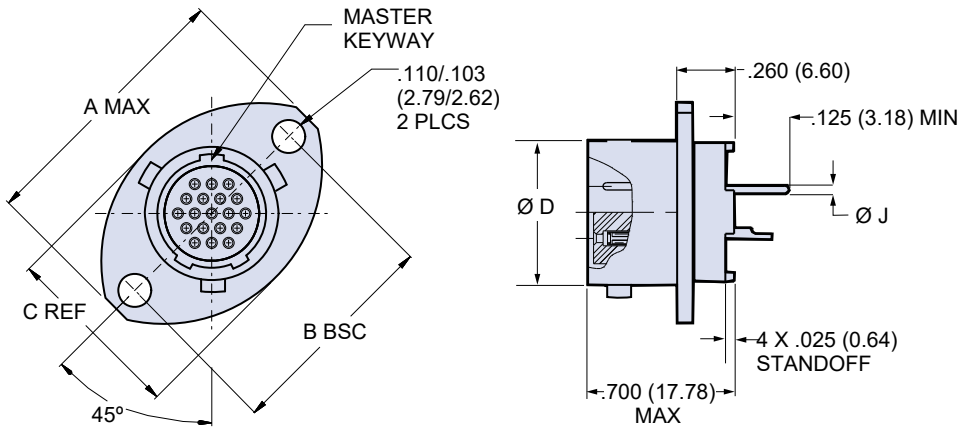
Pos.	A°	B°
N	150°	210°
X	75°	210°
Y	95°	230°
Z	140°	275°



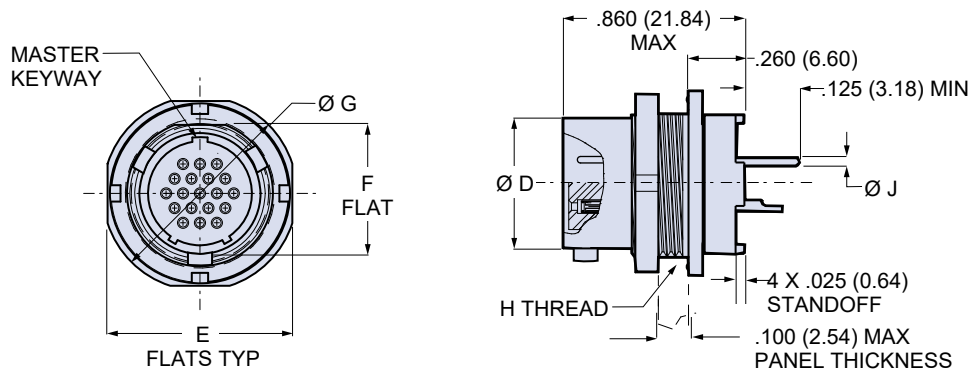
SERIES 803 BAYONET-LOCK
Mighty Mouse Connectors and Cables
PC Tail or Solder Cup Receptacles



FLANGE MOUNT, FRONT OR REAR PANEL MOUNT RECEPTACLE
SHELL STYLE 02



JAM-NUT, REAR PANEL MOUNT RECEPTACLE - SHELL STYLE 07



NOTES

1. Hermeticity: 1 x 10⁻⁷ ccHe/sec at one atmosphere, not for use in liquid environment
2. Contacts are size 23, non removable, and connector is back-potted
3. For additional insert arrangements consult factory
4. Connector mates with all bayonet plug connectors with same polarization and opposite contact gender
5. See page G-7 for recommended panel cut-out dimensions
6. Material and Finish
 - Shell, jam-nut: Aluminum alloy or CRES / see how to order table
 - Insulator: High Grade Rigid Dielectric / N.A.
 - Interfacial seal, grommet seal: fluorosilicone / N.A.
 - Contact: copper alloy / gold plate per ASTM B 488, Type II, Class 1.25, over suitable underplate

Dimensions									
Shell Size	A Max.	B Bsc.	C Ref.	Ø D	E Flats	F Flat	Ø G	H Thread	Ø J Tail Dia.
5	.703 (17.86)	.513 (13.03)	.460 (11.68)	.300 (7.62)	.545 (13.84)	.350 (8.89)	.575 (14.60)	.3750-32 UNEF-2A	#23 .018/.022 (0.46/0.56)
6	.788 (20.02)	.598 (15.19)	.522 (13.26)	.362 (9.19)	.595 (15.11)	.410 (10.41)	.635 (16.13)	.4375-28 UNEF-2A	#20 .024/.028 (0.61/0.71)
7	.890 (22.61)	.708 (17.98)	.590 (14.99)	.436 (11.07)	.723 (18.36)	.536 (13.61)	.755 (19.18)	.5625-32 UN-2A	#16 .060/.064 (1.52/1.63)
8	1.154 (29.31)	.964 (24.49)	.668 (16.97)	.508 (12.90)	.790 (20.07)	.593 (15.06)	.755 (19.18)	.6250-28 UN-2A	#12 .092/.096 (2.34/2.44)
9	1.207 (30.66)	1.017 (25.83)	.721 (18.31)	.561 (14.25)	.790 (20.07)	.596 (15.14)	.830 (21.08)	.6250-28 UN-2A	
10	1.291 (32.79)	1.101 (27.97)	.795 (20.19)	.635 (16.13)	.925 (23.50)	.721 (18.31)	.890 (22.61)	.7500-28 UN-2A	
12	1.394 (35.41)	1.204 (30.58)	.874 (22.20)	.714 (18.14)	1.044 (26.52)	.845 (21.46)	1.078 (27.38)	.8750-28 UN-2A	
14	1.545 (39.24)	1.280 (32.51)	1.050 (26.67)	.865 (21.97)	1.230 (31.24)	1.022 (25.96)	1.264 (32.11)	1.0625-20 UN-2A	

SERIES 803 BAYONET-LOCK



SERIES 803 BAYONET-LOCK Mighty Mouse Connectors and Cables



Hermetic Receptacles, PC Tail or Solder Cup



Series 803 Hermetic Receptacles feature 304L stainless steel shells and fused glass insulators tested to 1×10^{-7} cc/second maximum helium leak rate at 1 atmosphere vacuum. Select PC tail contacts for attachment to flexible ribbon or rigid board or choose solder cup contacts for direct wire attachment. Hermetic contacts are gold-plated iron alloy. Jam-nut rear panel mount and flange mount, front or rear panel mount shell styles are available. 1000 PSI pressure rating in open face (unmated) condition.

How To Order						
Sample Part Number	803-006	-07	Z1	9-19	P	N
Series	803-006 = Hermetic Receptacle, Solder Cup or PCB Contacts					
Shell Style (See Table I)	-02 = Flange Mount -07 = Jam-Nut					
Shell Material and Finish	Z1 = Stainless Steel / Passivated ZL = Stainless Steel/Nickel Plated					
Shell Size - Insert Arrangement	See Contact Arrangements Page G-4					
Contact Type	C = Pin, PC Tail P = Pin, Solder Cup D = Socket, PC Tail S = Socket, Solder Cup					
Polarization (See Table II)	N = Normal X = Pos. X Y = Pos. y Z = Pos. Z					

Table I: Shell Style	
-02 Flange Mount	-07 Jam-Nut

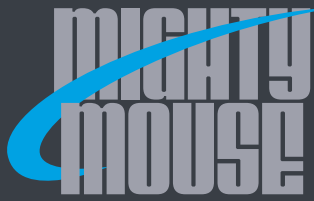
Table II: Keyway Polarization			
	Pos.	A°	B°
	N	150°	210°
	X	75°	210°
	Y	95°	230°
	Z	140°	275°

NOTES

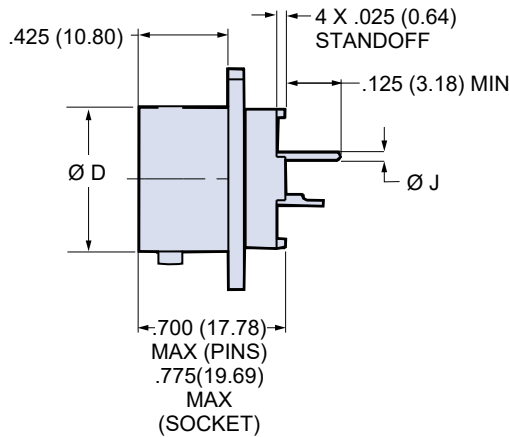
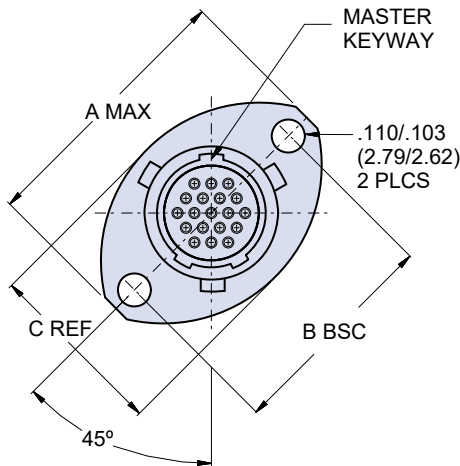
1. Hermeticity:
1 x 10⁻⁷ ccHe/sec at one atmosphere, not for use in liquid environment
2. See page G-7 for recommended panel cut-out dimensions

DWV Rating	
Contact Sizes	Test Voltage
23	750 Vac
20 HD	1000 Vac
16, 12, 8	1800 Vac

SERIES 803 BAYONET-LOCK



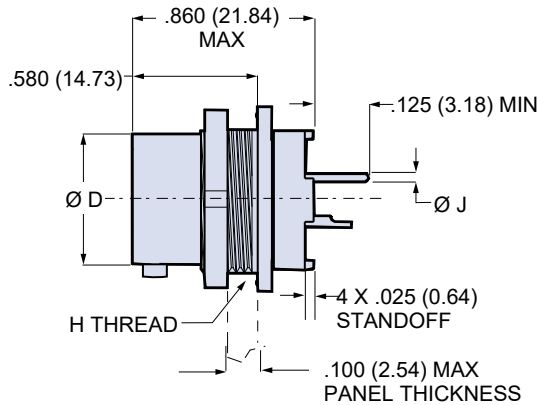
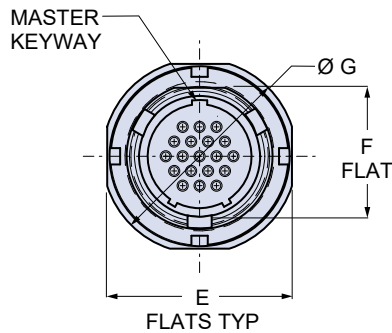
FLANGE MOUNT, FRONT OR REAR PANEL MOUNT RECEPTACLE - SHELL STYLE 02



Material and Finish

- Shell: SST / see how to order table
- Insulator, hermetic: fused glass / N.A.
- Insulator, socket: high-grade rigid dielectric / N.A.
- Seals: fluorosilicone/N.A.
- Contact, hermetic: alloy 52 / gold plate
- Contact: copper alloy / gold plate
- Potting compound: epoxy

JAM-NUT REAR PANEL MOUNT RECEPTACLE - SHELL STYLE 07



Material and Finish

- Shell, jam-nut: SST / see how to order table
- Insulator, hermetic: fused glass / N.A.
- Insulator, socket: high-grade rigid dielectric / N.A.
- Seals: fluorosilicone/N.A.
- Contact, hermetic: alloy 52 / gold plate
- Contact: copper alloy / gold plate
- Potting compound: epoxy

Dimensions									
Shell Size	A Max.	B Bsc.	C Ref.	Ø D	E Flats	F Flat	Ø G	H Thread	Ø J Tail Dia.
5	.703 (17.86)	.513 (13.03)	.460 (11.68)	.300 (7.62)	.545 (13.84)	.350 (8.89)	.755 (19.18)	.3750-32 UNEF-2A	#23 .018/.022 (0.46/0.56)
6	.788 (20.02)	.598 (15.19)	.522 (13.26)	.362 (9.19)	.595 (15.11)	.410 (10.41)	.635 (16.13)	.4375-28 UNEF-2A	#20 .024/.028 (0.61/0.71)
7	.890 (22.61)	.708 (17.98)	.590 (14.99)	.436 (11.07)	.723 (18.36)	.536 (13.61)	.755 (19.18)	.5625-32 UN-2A	#16 .060/.064 (1.52/1.63)
8	1.154 (29.31)	.964 (24.49)	.668 (16.97)	.508 (12.90)	.790 (20.07)	.593 (15.06)	.830 (21.08)	.6250-32 UN-2A	#12 .092/.096 (2.34/2.44)
9	1.207 (30.66)	1.017 (25.83)	.721 (18.31)	.561 (14.25)	.790 (20.07)	.593 (15.06)	.830 (21.08)	.6250-28 UN-2A	
10	1.291 (32.79)	1.101 (27.97)	.795 (20.19)	.635 (16.13)	.925 (23.50)	.721 (18.31)	.955 (24.26)	.7500-28 UN-2A	
12	1.394 (35.41)	1.204 (30.58)	.874 (22.20)	.714 (18.14)	1.044 (26.52)	.845 (21.46)	1.078 (27.38)	.8750-28 UN-2A	
14	1.545 (39.24)	1.280 (32.51)	1.050 (26.67)	.865 (21.97)	1.230 (31.24)	1.022 (25.96)	1.264 (32.11)	1.0625-20 UN-2A	

SERIES 803 BAYONET-LOCK



SERIES 803 BAYONET-LOCK Mighty Mouse Connectors and Cables Bulkhead Feed-Thru Connectors



Series 803 Bulkhead Feed-Thru Connectors provides a separable connection on both sides of a mounting panel. Features quarter turn bayonet coupling. Jam-nut, rear panel mount or elliptical flange, front or rear panel mount shell styles. Non removable, gold plated contacts available in pin-pin, pin-socket, and socket-socket configurations. Shell available in aluminum or stainless steel.

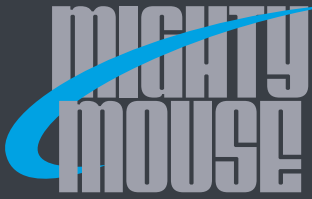
How To Order							
Sample Part Number	803-010	-07	M	6-7	P	P	N
Series	803-010 = Bulkhead Feed-thru						
Shell Style (See Table I)	-02 = Flange Mount -07 = Jam-Nut						
Shell Material and Finish	C = Aluminum / Black Anodize (Non-Conductive) M = Aluminum / Electroless Nickel MT = Aluminum / Nickel-PTFE NF = Aluminum / Cadmium with Olive Drab Chromate ZNU = Aluminum / Zinc-Nickel with Black Chromate Z1 = Stainless Steel / Passivated						
Shell Size - Insert Arrangement	See Contact Arrangements Page G-4						
Contact Type, Jam-Nut Side	P = Pin S = Socket						
Contact Type, Opposite Side	P = Pin S = Socket						
Polarization (See Table II)	N = Normal X = Pos. X Y = Pos. y Z = Pos. Z						

Table I: Shell Style	
-02 Flange Mount	-07 Jam-Nut

Table II: Keyway Polarization		
Pos.	A°	B°
N	150°	210°
X	75°	210°
Y	95°	230°
Z	140°	275°

NOTES

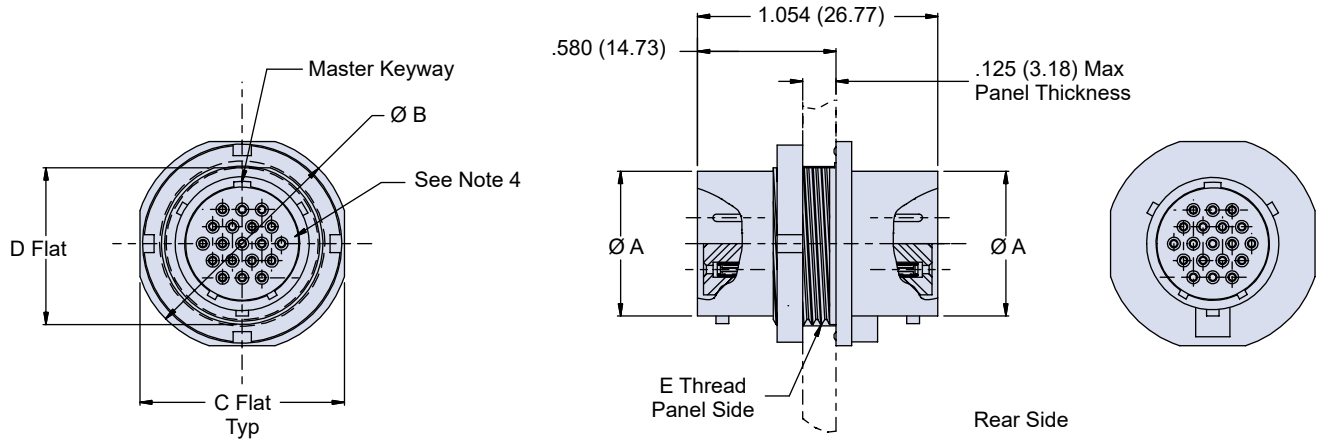
- For additional insert arrangements consult factory
- Contacts are nonremovable
- Connector mates with all bayonet plug connectors with same polarization and opposite contact gender
- See page G-7 for recommended panel cut-out dimensions
- Material and Finish
 - Shell, jam-nut: aluminum alloy or CRES / see how to order table
 - Insulator: High Grade Rigid Dielectric
 - Interfacial seals: fluorosilicone/N.A.
 - Contact: copper alloy / gold plate per ASTM B 488, Type II, Code C, Class 1.25, over a suitable underplate



SERIES 803 BAYONET-LOCK
Mighty Mouse Connectors and Cables
Bulkhead Feed-Thru Connectors



JAM-NUT REAR PANEL MOUNT FEED-THRU - SHELL STYLE 07



FLANGE MOUNT FRONT OR REAR PANEL MOUNT FEED-THRU - SHELL STYLE 02

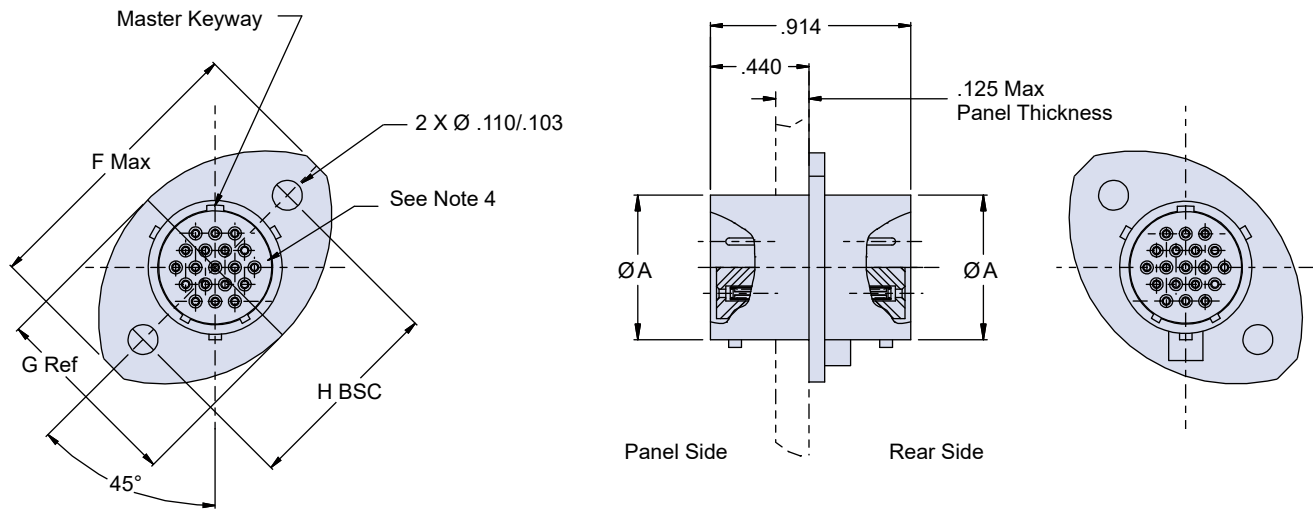
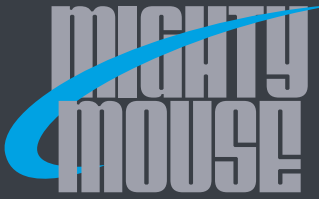


Table I: Dimensions											
Shell Size	Ø A	Ø B	C Flat	D Flat	E Thread	F Max	G Ref	H Bsc	J Flat +.004 (.010) -.000 (0.25)	Ø K ±.005 (.02)	
5	0.300 (7.62)	0.575 (14.60)	0.545 (13.84)	0.350 (8.89)	.3750-32 UNEF-2A	0.703 (17.86)	0.460 (11.68)	0.513 (13.03)	0.353 (8.97)	0.382 (9.70)	
6	0.362 (9.19)	0.635 (16.13)	0.595 (15.11)	0.410 (10.41)	.4375-28 UNEF-2A	0.788 (20.02)	0.522 (13.26)	0.598 (15.19)	0.413 (10.49)	0.445 (11.30)	
7	0.436 (11.07)	0.755 (19.18)	0.723 (18.36)	0.536 (13.61)	.5625-32 UN-2A	0.890 (22.61)	0.590 (14.99)	0.708 (17.98)	0.539 (13.69)	0.572 (14.53)	
8	0.508 (12.90)	0.755 (19.18)	0.723 (18.36)	0.534 (13.56)	.5625-32 UN-2A	1.154 (29.31)	0.668 (16.97)	0.964 (24.49)	0.539 (13.69)	0.583 (14.81)	
9	0.561 (14.25)	0.830 (21.08)	0.790 (20.07)	0.596 (15.14)	.6250-28 UN-2A	1.207 (30.66)	0.721 (18.31)	1.017 (25.83)	0.599 (15.21)	0.643 (16.33)	
10	0.635 (16.13)	0.890 (22.61)	0.855 (21.72)	0.663 (16.84)	.6875-28 UN-2A	1.291 (32.79)	0.795 (20.19)	1.101 (27.97)	0.669 (16.99)	0.720 (18.29)	
12	0.714 (18.14)	1.078 (27.38)	1.044 (26.52)	0.845 (21.46)	.875-28 UN-2A	1.394 (35.41)	0.874 (22.20)	1.204 (30.58)	0.848 (21.54)	0.885 (22.48)	
14	0.865 (21.97)	1.264 (32.11)	1.230 (31.24)	1.022 (25.96)	1.0625-20 UN-2A	1.545 (39.24)	1.050 (26.67)	1.280 (32.51)	1.029 (26.14)	1.072 (27.23)	
15	0.925 (23.50)	1.325 (33.65)	1.290 (32.77)	1.096 (27.84)	1.125-28 UN-2A	1.630 (41.40)	1.150 (29.21)	1.370 (34.80)	1.099 (27.91)	1.135 (28.83)	

SERIES 803 BAYONET-LOCK



SERIES 803 BAYONET-LOCK

Mighty Mouse Connectors and Cables



Shielded and Overmolded Harsh-Environment Cordsets

SERIES 803 BAYONET-LOCK HARSH-ENVIRONMENT SHIELDED CORDSETS



High-performance Mighty Mouse cordsets feature easy ordering and fast delivery. These fully shielded and watertight assemblies withstand abrasion, temperature extremes, and chemicals. Flexible overmolding provides rugged, watertight protection to wire and shield. Two styles are available: **Style 1** polyamide overmold and polyurethane cable jacket, and **Style 2** improved temperature range, high flexibility thermoplastic rubber overmold and cable jacket. Overmolded Mighty Mouse cordsets are suitable for military gear and other hostile environments where interconnect reliability and survivability is essential.

Product Features

- Single-ended or double-ended
- Rugged, watertight construction
- 100% electrically tested
- Flexible to -55°C. (Style 2)
- Stainless steel shield termination band
- Resistant to chemicals
- Withstands UV and ozone

High-Speed Cordsets

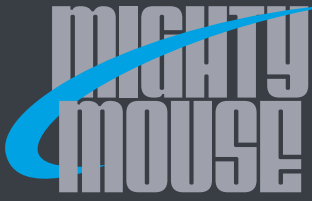
Controlled impedance twisted pair cordsets for Ethernet, USB, and other protocols are available. Please refer to Section M

Harsh Environment Cordset Selection Guide		
Property	Style 1 Polyurethane Jacket Polyamide Overmold	Style 2 Rubber Jacket Rubber Overmold
Cable jacket	Thermoplastic polyurethane (TPU), black	Thermoplastic elastomer (TPV), black
Overmold	Polyamide, black	Thermoplastic elastomer (TPV), black
Operating temperature	-30° C. to +105° C.	-55° C. to +135° C.
Flexibility	Good	Excellent
Water Resistance	Waterproof	Waterproof
Solvent Resistance, Cable Jacket	Excellent	Good
Solvent Resistance, Overmold	Fair ⁽¹⁾	Good
Weatherability	Excellent	Excellent
Abrasion Resistance	Excellent	Good
Flammability	Flame retardant UL 94 V-0	Flame retardant UL 94 HB
Low Smoke, Zero Halogen Cable Jacket	Yes	No

(1) Excellent resistance to most solvents, fuels, and oils; poor resistance to strong acids and bipolar solvents (alcohol)

Specifications	
Cable jacket	Style 1: thermoplastic polyurethane, black, low-smoke, zero-halogen Style 2: thermoplastic elastomer, black
Overmold	Style 1: polyamide Style 2: thermoplastic elastomer, black
Cable shield	Tin-coated copper braid, 90% minimum coverage
Conductors	Silver coated stranded wire, TFE insulated, per M22759/11
Shield Termination	Band-Master™ ATS stainless steel shield termination band
Current rating	#23-5 amps, #20-7.5 amps, #16-13 amps, #12-23 amps
Test voltage (DWV)	#23 500 Vac, #20 500 Vac, #16 and #12 500 VAC sea level
Insulation resistance	200 Megohms minimum
Shielding effectiveness	50 dB minimum from 100MHz to 1000MHz.

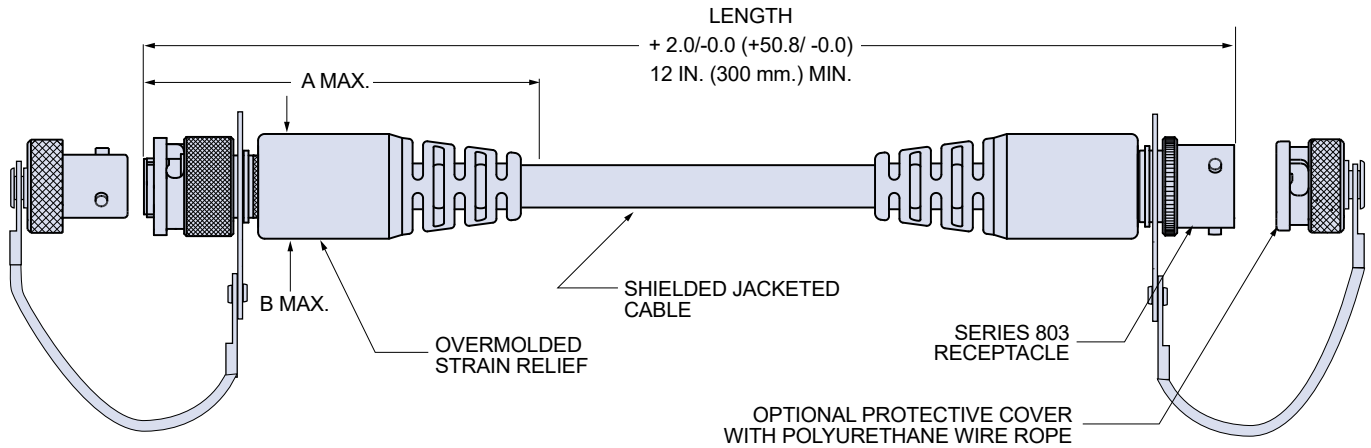
SERIES 803 BAYONET-LOCK



SERIES 803 BAYONET-LOCK
Mighty Mouse Connectors and Cables



Shielded and Overmolded Harsh-Environment
Cordsets



Dimensions		
Shell Size	A Max.	B Max.
5	2.38	0.50
6	2.48	0.55
7	2.58	0.65
8	2.65	0.71
9	2.85	0.78
10	2.82	0.82
12	3.00	0.9
14	3.20	1.10

NOTES

1. Double-ended cordsets are wired pin #1 to pin #1, #2 to #2, and so on.
2. Wires are silver-coated stranded copper with TFE insulation, 600V, in accordance with M22759/11.
3. Wire color is IAW MIL-STD-681 for cables containing 10 wires or less. For cable containing more than 10 wires, wire color is white.

SERIES 803 BAYONET-LOCK



SERIES 803 BAYONET-LOCK
Mighty Mouse Connectors and Cables

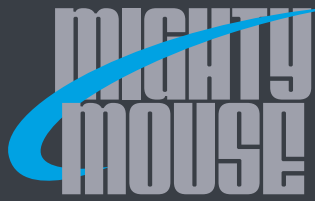


**Shielded and Overmolded Harsh-Environment
 Cordsets**

Series 803 Cordsets with #23 Contacts								
Sample Part Number								
803-009	-A	C	2	M	8-28	N	X	-36
Series	End A Connector	End B Connector	Wire Size	Shell Material / Finish	Insert Arr.	Protective Cover	Shell Key Pos.	Length
803-009 Style 1 Polyurethane Cable Jacket, Polyamide Overmold 803-030 Style 2 Rubber Cable Jacket and Overmold	-A Plug, with Male Pin Contacts -B Plug, with Female Socket Contacts -C Receptacle, with Male Pin Contacts -D Receptacle, with Female Socket Contacts	A Plug, with Male Pin Contacts B Plug, with Female Socket Contacts C Receptacle, with Male Pin Contacts D Receptacle, with Female Socket Contacts N No Connector (Single-Ended)	2 #22 AWG 4 #24 AWG	M Aluminum / Electroless Nickel NF Aluminum / Cadmium with OD Chromate ZNU Aluminum / Zinc-Nickel with Black Chromate MT Aluminum / Nickel-PTFE Z1 Stainless Steel / Passivated	See page G-4 for insert arr. Consult Factory for Combo Arr.	P Metal Protective Covers Included N No Covers Supplied	N Normal X Pos. X Y Pos. Y Z Pos. Z See page G-7	Overall Length In Inches 12 Inch Min.

Series 803 Cordsets with #20HD Contacts								
Sample Part Number								
803-016	-A	C	0	M	8-28	N	X	-36
Series	End A Connector	End B Connector	Wire Size	Shell Material / Finish	Insert Arr.	Protective Cover	Shell Key Pos.	Length
803-016 Style 1 Polyurethane Cable Jacket, Polyamide Overmold 803-031 Style 2 Rubber Cable Jacket and Overmold,	-A Plug, with Male Pin Contacts -B Plug, with Female Socket Contacts -C Receptacle, with Male Pin Contacts -D Receptacle, with Female Socket Contacts	A Plug, with Male Pin Contacts B Plug, with Female Socket Contacts C Receptacle, with Male Pin Contacts D Receptacle, with Female Socket Contacts N No Connector (Single-Ended)	0 #20 AWG 2 #22 AWG	M Aluminum / Electroless Nickel NF Aluminum / Cadmium with OD Chromate ZNU Aluminum / Zinc-Nickel with Black Chromate MT Aluminum / Nickel-PTFE Z1 Stainless Steel / Passivated	See page G-4 for insert arr. Consult Factory for Combo Arr.	P Metal Protective Covers Included N No Covers Supplied	N Normal X Pos. X Y Pos. Y Z Pos. Z See page G-7	Overall Length In Inches 12 Inch Min.

SERIES 803 BAYONET-LOCK



SERIES 803 BAYONET-LOCK

Mighty Mouse Connectors and Cables

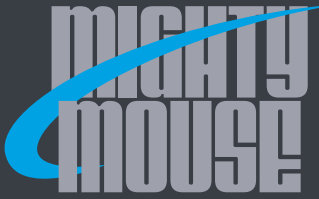


Shielded and Overmolded Harsh-Environment Cordsets

Series 803 Cordsets with #16 Contacts								
Sample Part Number								
803-013	-A	C	6	M	8-28	N	X	-36
Series	End A Connector	End B Connector	Wire Size	Shell Material/ Finish	Insert Arr.	Protective Cover	Shell Key Pos.	Length
803-013 Style 1 Polyurethane Cable Jacket, Polyamide Overmold	-A Plug, with Male Pin Contacts -B Plug, with Female Socket Contacts	A Plug, with Male Pin Contacts B Plug, with Female Socket Contacts C Receptacle, with Male Pin Contacts D Receptacle, with Female Socket Contacts N No Connector (Single-Ended)	6 #16 AWG 8 #18 AWG	M Aluminum / Electroless Nickel NF Aluminum / Cadmium with OD Chromate ZNU Aluminum / Zinc-Nickel with Black Chromate MT Aluminum / Nickel-PTFE Z1 Stainless Steel / Passivated	See page G-4 for insert arr. Consult Factory for Combo Arr.	P Metal Protective Covers Included N No Covers Supplied	N Normal X Pos. X Y Pos. Y Z Pos. Z See page G-7	Overall Length In Inches 12 Inch Min.

Series 803 Cordsets with #20HD Contacts								
Sample Part Number								
803-033	-A	C	0	M	8-28	N	X	-36
Series	End A Connector	End B Connector	Wire Size	Shell Material / Finish	Insert Arr.	Protective Cover	Shell Key Pos.	Length
803-014 Style 1 Polyurethane Cable Jacket, Polyamide Overmold, 803-033 Style 2 Rubber Cable Jacket and Rubber Overmold,	-A Plug, with Male Pin Contacts -B Plug, with Female Socket Contacts -C Receptacle, with Male Pin Contacts -D Receptacle, with Female Socket Contacts	A Plug, with Male Pin Contacts B Plug, with Female Socket Contacts C Receptacle, with Male Pin Contacts D Receptacle, with Female Socket Contacts N No Connector (Single-Ended)	0 #20 AWG 2 #22 AWG	M Aluminum / Electroless Nickel NF Aluminum / Cadmium with OD Chromate ZNU Aluminum / Zinc-Nickel with Black Chromate MT Aluminum / Nickel-PTFE Z1 Stainless Steel / Passivated	See page G-4 for insert arr. Consult Factory for Combo Arr.	P Metal Protective Covers Included N No Covers Supplied	N Normal X Pos. X Y Pos. Y Z Pos. Z See page G-7	Overall Length In Inches 12 Inch Min.

SERIES 803 BAYONET-LOCK



SERIES 803 BAYONET-LOCK

Mighty Mouse Connectors and Cables



Flexible, Lightweight Phantom Cable Cordsets

SERIES 803 BAYONET-LOCK ULTRAFLEXIBLE “PHANTOM CABLE” CORDSETS



Phantom Cable cordsets feature high-flex rubber-insulated wires, lightweight shield, and overbraided jackets for maximum flexibility, reduced size, and minimum weight. Flexible rubber overmold provides strain relief and environmental sealing. EMI shield options include high-strength, ultralightweight AmberStrand® nickel-coated composite braid, ArmorLite™ or lightweight, high flexibility tinned copper braid. Braid outer jackets are available with NOMEX®, HALAR® or PTFE-coated fiberglass.

Product Features

- Overbraided cable jacket for excellent flexibility
- Ultra-lightweight AmberStrand® EMI shield
- 100% electrically tested
- Flexible to -55°C.
- Stainless steel shield termination band

Application Note

Overbraided textile jackets are ideal for applications where flexibility and weight are important. However, water can penetrate through the jacket and cable shield. Dust and contamination can also become entrapped in the braid. Braided jackets are prone to fraying damage caused by snagging on velcro closures and MOLLE vests. Extruded cable jackets are recommended if debris entrapment, moisture ingress, or fraying damage are concerns.

Braid Shield Selection Guide

Property	AmberStrand®	ArmorLite®	Copper
Type	Nickel-coated high-strength super fiber	Micro-filament nickel-coated stainless steel	Tin-coated copper
Weight/ft. (0.5 in. ID)	3.7 grams	4.4 grams	22.3 grams
Operating Temp ⁽¹⁾	-65° C to +200° C	-80° C to +260° C	-80° C to +150° C
Coverage	90% min.	90% min.	90% min.
Flexibility	Excellent	Excellent	Good
Cost Comparison	\$\$\$	\$\$	\$

(1) Rubber wires and rubber overmold are rated for -55° C to +135° C.

Jacket Selection Guide

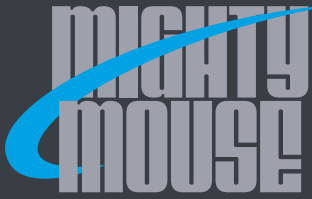
Property	NOMEX®	HALAR®	PTFE Coated Fiberglass
Color	Black or olive drab	Black	Tan
Operating Temp ⁽¹⁾	-55° C to +260° C	-73° C to +150° C	-75° C to +300° C
Chemical Resistance	Excellent	Excellent	Excellent
Flammability	Self-extinguishing, will not melt	Fire retardant UL VW-1	Self-extinguishing
Toxicity	Non-toxic	Non-toxic	Non-toxic
Flexibility	Excellent	Excellent	Excellent
Abrasion resistance	Excellent	Excellent	Excellent

(1) Rubber wires and rubber overmold are rated for -55° C to +135° C.

Specifications

Cable jacket	NOMEX®, HALAR® or PTFE-coated fiberglass
Temperature Range	-55° C to +135° C
Overmold	Thermoplastic elastomer, black
Cable shield	AmberStrand®, ArmorLite® or tinned copper, 90% minimum coverage
Conductors	Silver coated stranded wire, rubber insulation
Shield Termination	Band-Master™ ATS stainless steel shield termination band
Current rating	5 amps
Test voltage (DWV)	500 Vac
Insulation resistance	200 Megohms minimum
Shielding effectiveness	50 dB minimum from 100MHz to 1000MHz.

SERIES 803 BAYONET-LOCK



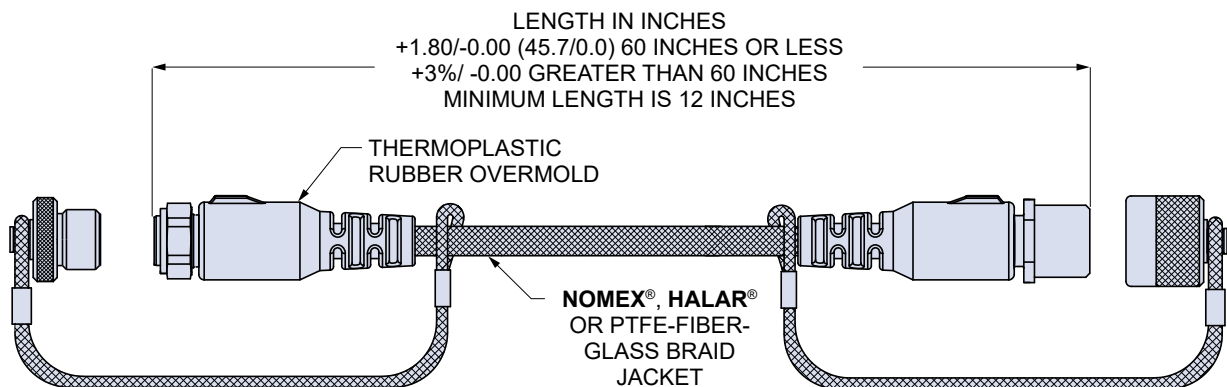
SERIES 803 BAYONET-LOCK

Mighty Mouse Connectors and Cables



Flexible, Lightweight Phantom Cable Cordsets

Series 803 "Phantom Cable" Cordsets size #12 thru #23 Contacts										
Sample Part Number										
803-027	-B	N	2	Z1	5-3	N	X	-60	C	N
Series	End A Connector	End B Connector	Wire Size	Shell Material/ Finish	Insert Arr.	Protective Cover	Shell Key Pos.	Length	Shield Option	Jacket Option
Size #23 Contacts 803-026 Phantom Cable Cordset	-A Plug, with Male Pin Contacts -B Plug, with Female Socket Contacts	A Plug, with Male Pin Contacts B Plug, with Female Socket Contacts	Size #23 Contacts 4 #24 AWG 6 #26 AWG 8 #28 AWG	M Aluminum / Electroless Nickel NF Aluminum / Cadmium with OD Chromate ZNU Aluminum / Zinc-Nickel with Black Chromate MT Aluminum / Nickel-PTFE Z1 Stainless Steel / Passivated	See page G-4 for insert arr. Consult Factory for Combo Arr.	P Metal Protective Covers Included N No Covers Supplied	N Normal X Pos. X Y Pos. Y Z Pos. Z	Overall Length In Inches 12 Inch Min. See page G-7	A AmberStrand B ArmorLite C Tin-Coated Copper	D Nomex, Olive Drab N Nomex, Black H Halar (Monofil) P Peek (Monofil)
Size #20 HD Contacts 803-027 Phantom Cable Cordset	-C Rec. with Male Pin Contacts -D Rec. with Female Socket Contacts	C Rec. with Male Pin Contacts D Rec. with Female Socket Contacts	Size #20 HD Contacts 0 #20 AWG 2 #22 AWG							
Size #16 Contacts 803-028 Phantom Cable Cordset		N No Connector (Single-Ended)	Size #16 Contacts 6 #16 AWG 8 #18 AWG							
Size #12 Contacts 803-029 Phantom Cable Cordset			Size #12 Contacts 2 #12 AWG 4 #14 AWG							



NOTES

- Double-ended cordsets are wired pin #1 to pin #1, #2 to #2, and so on.
- Wires are silver-coated stranded copper with TPE insulation, 600V, UL VW-1 rated.
- Wires are white with color stripe per MIL-STD-681. Wire #1 is WHT/BLK, wire #2 is WHT/BRN, etc.



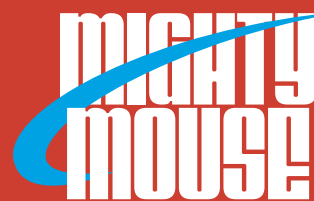
SERIES 804 MIGHTY MOUSE

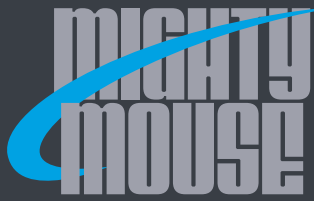
Push-Pull Quick-Disconnect Mating

Shielded and sealed breakaway design crimp rear-release contact connectors



Mighty Mouse Series 804 Push-Pull connectors are typically employed in soldier-worn communications equipment and weapons hardware. The quick-disconnect 804 is equipped with chemical and environmental resistant fluorosilicone seals and coil spring shielding.





SERIES 804 QDC PUSH-PULL
Mighty Mouse Connectors and Cables
 Product Selection Guide



Series 804

Connector features and benefits, connector weights, contact arrangement layouts, panel cut-out dimensions and key/keyway positions and polarizations

Page H-3



Cable Plug with Crimp Contacts Band Platform

Cable plugs are available with an integral shield termination platform. For use with **Band-Master™ ATS** microbands sold separately. Accessory threads also available for backshell attachment. Contacts are crimp removable, and are packaged with the connector.

Page H-10



"Cobra" Plug with Crimp Contacts and Band Platform

Right angle, low profile connectors feature an integrated backshell. Connector features removable crimp contacts accessible via the hood to provide an easy path for installation or repair of broken or bent pins. .

Page H-12



Lanyard-Release Plug with Crimp Contacts and Accessory Threads

Plug connector with lanyard. One Pull of lanyard quickly demates connectors, convenient for soldiers in the field or where gloved hands make grasping smaller connectors difficult. Connector features rear release, crimp contacts for simplified field repairs.

Page H-15



Panel Mount Plug with Crimp Contacts and Band Platform

These panel mount plugs offer reduced profiles inside the box compared to panel mount receptacles. Connector bodies are sealed with epoxy to assure a water-tight open face seal.

Page H-17



Panel Mount PCB Plug with PC Tails or Solder Cups

These panel mount plugs offer reduced profiles inside the box compared to panel mount receptacles. Connector bodies are sealed with epoxy to assure a water-tight open face seal.

Page H-21



Receptacle with Crimp Contacts and Band Platform

Choose in-line or jam-nut mount receptacle. Two receptacle shell styles available. Select integral shield termination platform type or accessory threads for backshell attachment. Contacts are crimp-type, and packaged with the connector.

Page H-25

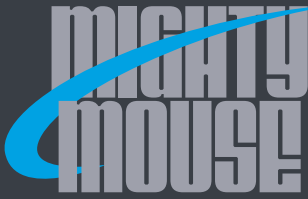


Lanyard-Release Receptacle with Crimp Contacts and Accessory Threads

Receptacle connector with lanyard. One pull of lanyard quickly demates connectors, convenient for soldiers in the field or where gloved hands make grasping smaller connectors difficult. Connector features rear release, crimp contacts for simplified field repairs.

Page H-29

SERIES 804 QDC PUSH-PULL



SERIES 804 QDC PUSH-PULL
Mighty Mouse Connectors and Cables
Product Selection Guide



Receptacle with PC Tails or Solder Cups

These panel mount connectors feature gold plated, factory-installed contacts. Connector bodies are sealed with epoxy to assure a water-tight open face seal.

Page H-31



Receptacle with PC Tails, Solder Cups and Ground Pins

These panel mount connectors feature copper alloy, gold plated PC tail or solder cup contacts. Ground pins provide a grounding path from the connector to the PCB board. Jam-nut or square flange shell styles available. Contacts are non-removable and parylene compatible.

Page H-34



Code Red Light Weight Hermetic Receptacle, PC Tails or Solder Cups

Light weight aluminum shell hermetic with advanced encapsulant sealed contacts using conventional copper alloy / gold plated contacts for improved electrical performance over nickel-iron contacts. Available with solder cups or PC tails. Choose jam-nut or square flange versions. 100% tested to 1×10^{-7} cc/second helium leak rate.

Page H-37



Hermetic Receptacles with PC Tails or Solder Cups

Miniaturized glass-to-metal seal hermetic receptacle for sealed box or instrument panel applications. These stainless steel connectors are available with solder cup or PC tail contacts. 100% tested to 1×10^{-7} cc/second helium leak rate. Open face pressure rating 1000 PSI.

Page H-40



Bulkhead Feed-Thru Connector

Jam-Nut mount, shell sizes 5 to 15. This connector mates with all push/pull plug connectors with the same polarization and opposite contact genders. Copper alloy gold-plated contacts, pin to pin, pin to plug, or plug to plug.

Page H-43



Series 804 Cordsets

Choose from Phantom Cable or Polyurethane cordsets. Phantom cables offer increased flexibility where water ingress or debris are not present or critical to functionality. Select standard polyurethane cable for water tight applications, or specify low smoke/zero halogen polyurethane for applications where low toxicity is mandated.

Page H-45



SERIES 804 Push-Pull QDC Connectors

Environmental Sealing and Rugged Design
in a Lightweight, Push-Pull Package

Ideal for breakaway connections, the Series 804 QDC connector features a gold-plated stainless steel spring in the receptacle and a detent on the plug body for reliable mating retention. Used for headsets, radios, weapons, and other tactical applications, the QDC Mighty Mouse 804 meets IP67 immersion requirements in the mated condition. The gold-plated spring provides low shell-to-shell resistance for excellent EMI shielding. A fluorosilicone O-ring provides a watertight seal in the mated condition.

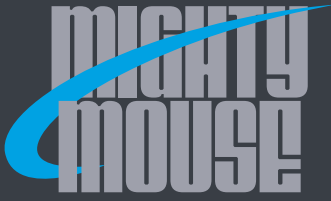


- **Push-to-Mate, Pull-to-Unmate**
- **Gold-Plated Stainless Steel EMI Spring**
- **Crimp Rear-Release Contacts**
- **Integral Band Platform**
- **Available with Size #12, #16, #20, #20HD and #23 Contacts**
- **Environmentally Sealed**

Specifications	
Current Rating	#23-5 A, 20HD-7.5 A, #16-13 A, #12-23 A
Dielectric Withstanding Voltage	#23-750 VAC, #20HD-1000 VAC, #12 and #16-1800 VAC
Insulation Resistance	5000 megohms minimum
Operating Temperature	-65° C. to +175° C.
Shock	300 g.
Vibration	37 g.
Shielding Effectiveness ⁽¹⁾	60 dB minimum from 100MHz to 1000MHz.
Durability	2000 mating cycles
1. Tested with electroless nickel plating See Series 80 General Information for complete performance specs.	

Materials and Finishes	
Shells, Jam-Nuts	Aluminum alloy or stainless steel
Contacts	Copper alloy, 50 µlnch gold plated
Insulators	High grade rigid dielectric
Contact Retention Clip	Beryllium copper alloy
Seal, O-rings, Grommet	Fluorosilicone rubber
Spring	Gold plated stainless steel

SERIES 804 QDC PUSH-PULL



SERIES 804 QDC PUSH-PULL

Mighty Mouse Connectors and Cables



Quick Disconnect, Connector Maximum Weight by Shell Size and Insert Arrangement

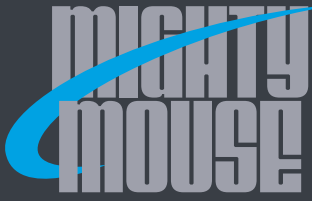
Series 804 Maximum Weight In Grams

Layout	Plug	Jam-Nut Receptacle		In-Line Receptacle
		Rear Mount	Front Mount	
5-3P	2.2	8	9.7	4
5-3S	2.4	8.3	9.8	4.1
6-1P	3.1	7.2	11.8	5.2
6-1S	3.4	7.5	12.1	5.5
6-4P	2.8	8.8	11.4	4.8
6-4S	3	9	11.6	5.1
6-6P	2.8	8.8	11.4	4.8
6-6S	3.1	9.2	11.8	5.2
6-7P	3	9.1	11.7	5.3
6-7S	3.2	9.5	12	5.5
6-23P	2.9	8.9	11.5	4.9
6-23S	3.6	9.3	11.9	5.3
7-1P	3.7	11.1	16.4	10.1
7-1S	4.3	11.7	16.9	10.7
7-25P	3.5	11	16.3	10
7-25S	4.2	11.7	16.9	10.7
7-10P	3.7	10.9	16.2	10
7-10S	4.2	11.3	16.5	10.3
8-1P	7.7	13.6	12.8	10.8
8-1S	10.1	10.1	11	13.5
8-2P	5	10.9	13.5	8
8-2S	5.7	5.7	11.7	9
8-28P	5.2	11.1	14.4	8.2
8-28S	6.2	6.2	12.9	9.5
8-13P	4.3	10.6	12.4	7.4
8-13S	4.8	11	13	8.1
8-200P	5.3	11.2	13.9	8.4
8-200S	6.1	12	14.6	9.1
9-4P	5.7	15.2	21.1	11
9-4S	6.7	16.2	22.1	12
9-210P	5.9	15	20.9	10.3
9-210S	6.7	16.2	22.1	12
9-19P	4.6	14.1	20	9.9
9-19S	4.8	14.9	21.1	9.8
9-200P	5.2	14.6	20.6	10.5
9-200S	6.3	15.7	21.7	11.6
9-201P	5.8	15.3	21.2	11.1
9-201S	6.9	16.4	22.3	12.2
10-2P	7	15.2	23	11.6
10-2S	8.3	16.5	24.4	12.9
10-5P	7.3	15.5	23.3	11.9
10-5S	8.7	16.9	24.8	13.3
10-26P	5.4	13.6	20.5	10.1
10-26S	6.2	13.9	21.1	10.5
10-200P	6.2	14.4	22.2	10.8
10-200S	7.6	15.8	23.7	12.2
10-201P	6.3	14.5	22.3	10.9

Series 804 Maximum Weight In Grams

Layout	Plug	Jam-Nut Receptacle		In-Line Receptacle
		Rear Mount	Front Mount	
10-201S	7.7	16	23.8	12.3
10-202P	6.3	14.5	22.3	10.9
10-202S	7.8	16.1	23.9	12.4
11-31P	10.1	16.6	26.1	13.4
11-31S	12.4	18.5	28.3	14.9
12-2P	10.7	21.5	26.1	20.8
12-2S	12.3	23.1	27.7	22.4
12-3P	11.7	22.4	27.1	21.8
12-3S	13.4	24.2	28.8	23.4
12-7P	11.9	22.7	27.3	22
12-7S	14.5	25.3	29.9	24.6
12-200P	10.3	21.1	25.7	20.5
12-200S	12.5	23.3	27.9	22.7
12-201P	10.7	21.5	26.1	22.8
12-201S	13	23.8	28.4	23.1
12-202P	10.8	21.6	26.2	20.9
12-202S	12.7	23.5	28.1	22.8
12-203P	11.6	21.9	26.5	21.2
12-203P	13	23.8	28.4	23.1
12-204P	11.2	22	26.6	21.3
12-204P	13	23.8	28.4	23.1
12-205P	12.3	23.1	27.7	22.4
12-205S	14.1	24.9	29.5	24.2
12-220	11.5	22.3	26.9	21.6
12-220	13.8	24.6	29.2	23.9
12-37P	10.1	21.5	25.5	22.4
12-37S	11.8	23.1	27.2	22.1
14-2P	18.7	31.6	36.9	29.6
14-2S	24.8	37.6	42.9	35.7
14-5P	15.4	28.3	33.6	26.3
14-5S	18.4	31.2	36.5	29.3
14-12P	16.2	29	34.3	27.1
14-12S	19.8	32.7	38	30.7
14-204P	14.1	27	32.3	25
14-204S	17.6	30.4	35.7	28.5
14-205P	14.4	27.3	32.6	25.3
14-205S	17.9	30.7	36	28.8
14-206P	14.6	27.5	32.8	25.5
14-206S	18	30.8	36.1	28.9
14-207P	15.4	28.3	33.6	26.3
14-207S	18.8	31.6	36.9	29.7
14-208P	16.6	29.5	34.8	27.5
14-208S	21.6	34.4	39.7	32.5
14-235P	15.7	28.6	33.9	26.6
14-235S	19.8	32.6	37.9	30.7
14-55P	12.8	25.6	30.9	23.7
14-55S	15.6	28.3	33.8	26.5

SERIES 804 QDC PUSH-PULL



SERIES 804 QDC PUSH-PULL Mighty Mouse Connectors and Cables

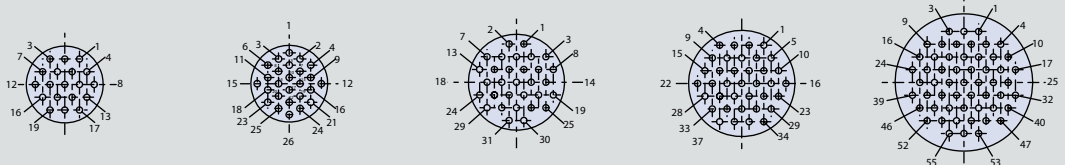


Contact Layouts Mating Face of Pin Insert Shown

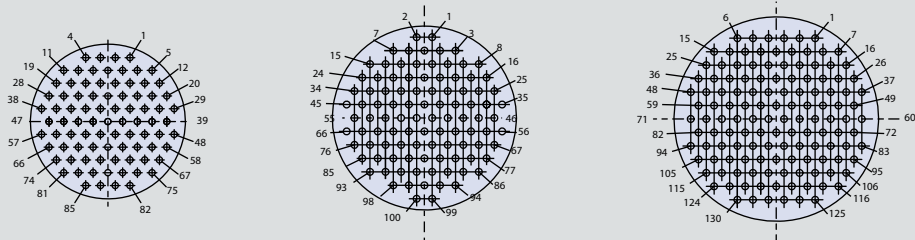
SIZE #23 CONTACTS, TESTED AT 750 VAC



Insert Arrangement	5-3	6-4	6-6	6-7	7-10	8-13
No. of Contacts	3	4	6	7	10	13



Insert Arrangement	9-19	10-26	11-31	12-37	14-55
No. of Contacts	19	26	31	37	55



Insert Arrangement	15-85	19-100	21-130
No. of Contacts	85	100	130

SERIES 804 QDC PUSH-PULL

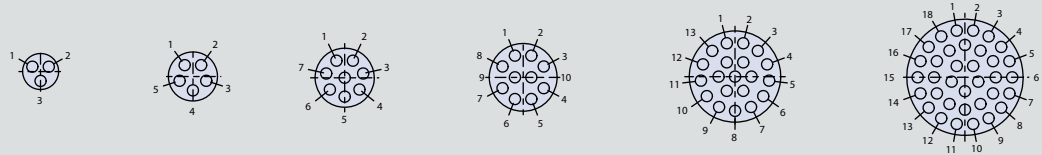


SERIES 804 QDC PUSH-PULL
Mighty Mouse Connectors and Cables



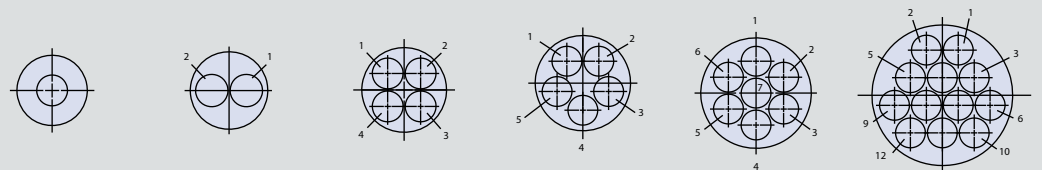
Contact Layouts
Mating Face of Pin Insert Shown

SIZE #20HD CONTACT ARRANGEMENTS, TESTED AT 1000 VAC



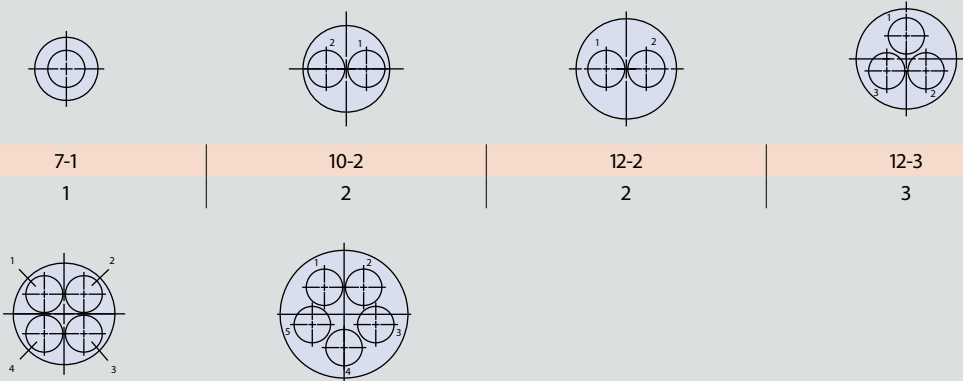
Insert Arrangement	6-23	7-25	8-28	9-210	12-220	14-235
No. of Contacts	3	5	8	10	20	35

SIZE #16 CONTACT ARRANGEMENTS, TESTED AT 1800 VAC



Insert Arrangement	6-1	8-2	9-4	10-5	12-7	14-12
No. of Contacts	1	2	4	5	7	12

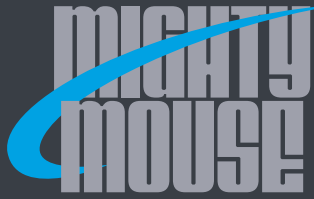
SIZE #12 CONTACTS ARRANGEMENTS, TESTED AT 1800 VAC



Insert Arrangement	7-1	10-2	12-2	12-3
No. of Contacts	1	2	2	3

Insert Arrangement	14-4	14-5
No. of Contacts	4	5

SERIES 804 QDC PUSH-PULL



SERIES 804 QDC PUSH-PULL Mighty Mouse Connectors and Cables



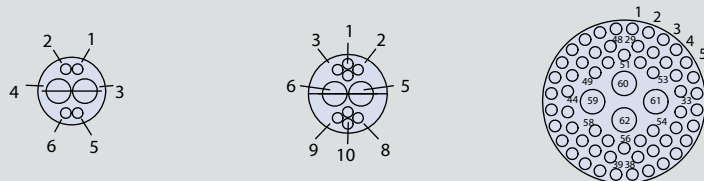
Contact Layouts Mating Face of Pin Insert Shown

SIZE #20 AND SIZE #23, COMBO CONTACT ARRANGEMENTS, TESTED AT 750 VAC



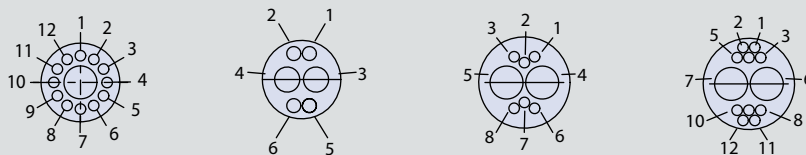
Insert Arrangement	8-200		9-201	
Contact Size	#12	#23	#12	#23
No. of Contacts	2	4	2	8
VAC Test Voltage	750		750	

SIZE #16 AND SIZE #23, COMBO CONTACT ARRANGEMENTS, TESTED AT 750 VAC



Insert Arrangement	9-200		10-202		15-206	
Contact Size	#16	#23	#16	#23	#16	#23
No. of Contacts	2	4	2	8	4	58
VAC Test Voltage	750		750		750	

SIZE #12 AND SIZE #23, COMBO CONTACT ARRANGEMENTS, TESTED AT 750 VAC



Insert Arrangement	10-200		10-201		12-200		12-201	
Contact Size	#12	#23	#12	#23	#12	#23	#12	#23
No. of Contacts	1	12	2	4	2	6	2	10
VAC Test Voltage	750		750		750		750	

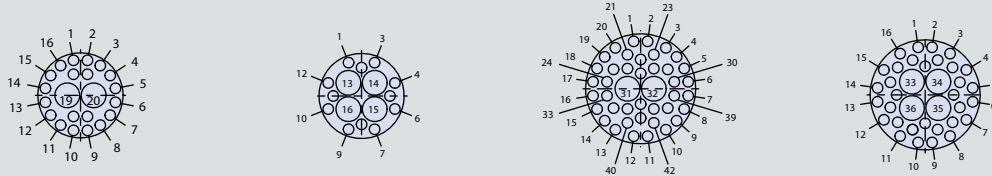
SERIES 804 QDC PUSH-PULL



SERIES 804 QDC PUSH-PULL
Mighty Mouse Connectors and Cables
Contact Layouts
Mating Face of Pin Insert Shown

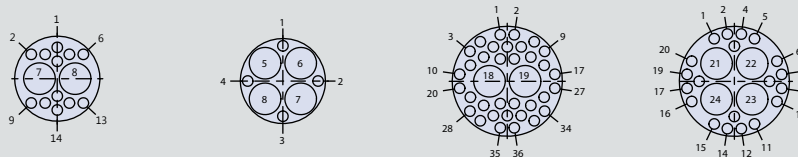


SIZE #16 AND SIZE #23, COMBO CONTACT ARRANGEMENTS, TESTED AT 1300 VAC



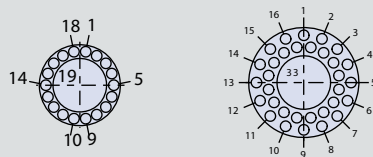
Insert Arrangement	12-202		12-203		14-204		14-205	
Contact Size	#16	#23	#16	#23	#16	#23	#16	#23
No. of Contacts	2	20	4	12	2	40	4	32
VAC Test Voltage	1300		1300		1300		1300	

SIZE #12 AND SIZE #23, COMBO CONTACT ARRANGEMENTS, TESTED AT 1300 VAC



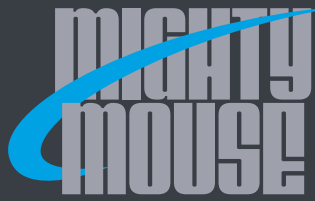
Insert Arrangement	12-204		12-205		14-206		14-207	
Contact Size	#12	#23	#12	#23	#12	#23	#12	#23
No. of Contacts	2	12	4	4	2	34	4	20
VAC Test Voltage	1300		1300		1300		1300	

SIZE #8 AND SIZE #23, COMBO CONTACT ARRANGEMENTS, TESTED AT 1300 VAC



Insert Arrangement	11-201		14-208	
Contact Size	#8	#23	#8	#23
No. of Contacts	1	18	2	32
VAC Test Voltage	1300		1300	

SERIES 804 QDC PUSH-PULL



SERIES 804 QDC PUSH-PULL Mighty Mouse Connectors and Cables



Panel Cutout Dimensions, Demate Force, and Polarization

PANEL CUTOUT DIMENSIONS

Jam-Nut, Front Panel Mount Cutout Dimensions		
Shell Size	A Flat	Ø B
5	.480 (12.19)	.510 (12.95)
	.476 (12.09)	.505 (12.83)
6	.540 (13.72)	.572 (14.53)
	.536 (13.61)	.567 (14.40)
7	.673 (17.09)	.698 (17.73)
	.669 (16.99)	.693 (17.60)
8	.673 (17.09)	.698 (17.73)
	.669 (16.99)	.693 (17.60)
9	.725 (18.42)	.760 (19.30)
	.721 (18.31)	.755 (19.18)
10	.800 (20.32)	.822 (20.88)
	.796 (20.22)	.817 (20.75)
12	.982 (24.94)	1.010 (25.65)
	.978 (24.84)	1.005 (25.53)
14	1.032 (26.21)	1.072 (27.23)
	1.028 (26.11)	1.067 (27.10)

Jam-Nut Rear Panel Mount Cutout Dimensions		
Shell Size	A Flat	Ø B
5	.425 (10.80)	.448 (11.38)
	.421 (10.69)	.443 (11.25)
6	.480 (12.19)	.510 (12.95)
	.476 (12.09)	.505 (12.83)
7	.604 (15.34)	.635 (16.13)
	.600 (15.24)	.630 (16.00)
8	.604 (15.34)	.635 (16.13)
	.600 (15.24)	.630 (16.00)
9	.665 (16.89)	.698 (17.73)
	.661 (16.79)	.693 (17.60)
10	.731 (18.57)	.760 (19.30)
	.7427 (18.86)	.755 (19.18)
12	.853 (21.67)	.885 (22.48)
	.849 (21.56)	.880 (22.35)
14	.978 (24.84)	1.010 (25.65)
	.974 (24.74)	1.005 (25.53)

DEMATING FORCE

Series 804 Demating Force		
Layout	Average Force	
	Pounds	Newtons
5-3	11	48
6-4	11	48
6-7	12	51
7-10	12	54
8-13	13	56
9-19	14	62
10-26	16	68
12-37	18	78
14-55	21	94

POLARIZATION

Key and Keyway Positions		
	Plug	Receptacle
Pos.	A°	B°
A	150°	210°
B	75°	210°
C	95°	230°
D	140°	275°
E	75°	275°

SERIES 804 QDC PUSH-PULL



SERIES 804 QDC PUSH-PULL

Mighty Mouse Connectors and Cables



Cable Connector Plug with Integral Shield Termination Platform or Accessory Threads



Series 804 In-line Plugs

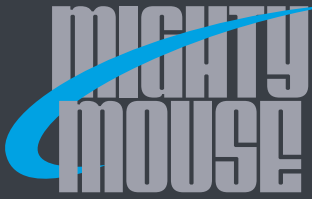
Plugs designed to snap securely into the receptacle housings and release with a simple pull. Two keying styles available. Select a single master key for fast mating in low-light situations, or specify alternate key positions where polarization is required. Two shell styles available. Select integral band platform for direct cable shield termination with use of Band-Master ATS® band. Choose accessory thread shell style for attaching a strain relief backshell or adapter. Aluminum or stainless steel shells available. Contacts are copper alloy and gold plated. Fluorosilicone interfacial and grommet seals provide IP67 sealing in the mated condition.

How To Order						
Sample Part Number	804-001	-06	NF	9-19	S	A
Series (See Table I)	804-001 = Plug with Banding Platform 804-002 = Plug with Accessory Thread					
Shell Style	-06 = Plug					
Shell Material and Finish	C = Aluminum / Black Anodize (Non-Conductive) M = Aluminum / Electroless Nickel MT = Aluminum / Nickel-PTFE NF = Aluminum / Cadmium with Olive Drab Chromate ZNU = Aluminum / Zinc-Nickel with Black Chromate Z1 = Stainless Steel / Passivated					
Shell Size - Insert Arrangement	See Contact Arrangements Page H-6					
Contact Type	Connector supplied without contacts A = Pin, less contacts B = Socket, less contacts	Connector supplied with contacts P = Pin Connector S = Socket Connector	Connector supplied with 30 AWG crimp Barrel G = Pin, Crimp H = Socket, Crimp			
Connectors with contacts are supplied with crimp contacts. Contacts not installed. For coax contacts, order contacts separately and order connector without contacts.						
Polarization (See Table II)	Omit = Single Master Key A = Normal B = Pos. B C = Pos. C D = Pos. D E = Pos. E F = Pos. F					

Table I: Series	
804-001 Plug with Banding Platform	804-002 Plug with Accessory Thread

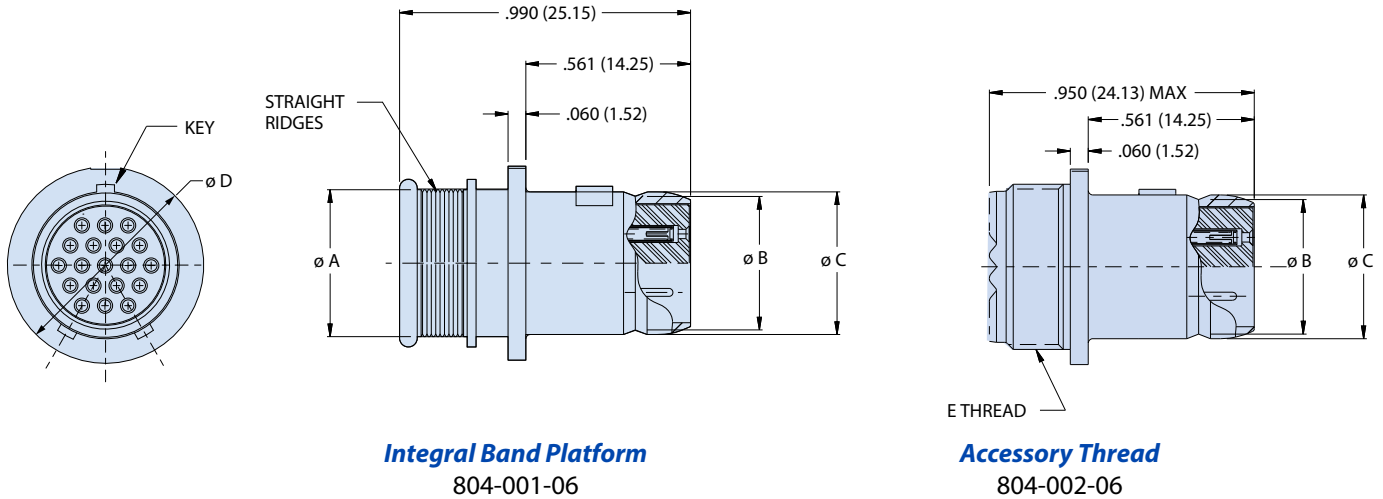
Table II: Key Positions			
	Pos.	A°	B°
	A	150°	210°
	B	75°	210°
	C	95°	230°
	D	140°	275°
	E	75°	275°
	F	95°	210°

SERIES 804 QDC PUSH-PULL



Cable Connector Plug with Integral Shield Termination Platform or Accessory Threads

PLUG CONNECTOR - STYLE 06



Dimensions					
Shell Size	Ø A	Ø B	Ø C	Ø D Max.	E Threads
5	.246 (6.25)	.219 (5.56)	.250 (6.35)	.427 (10.85)	.2500-32 UNEF-2A
6	.286 (7.26)	.282 (7.16)	.313 (7.95)	.495 (12.57)	.3125-32 UNEF-2A
7	.390 (9.91)	.351 (8.92)	.383 (9.73)	.575 (14.60)	.4375-28 UNEF-2A
8	.442 (11.23)	.398 (10.11)	.429 (10.90)	.614 (15.60)	.5000-28 UNEF-2A
9	.500 (12.70)	.454 (11.53)	.486 (12.34)	.670 (17.02)	.5625-24 UNEF-2A
10	.564 (14.33)	.529 (13.44)	.563 (14.30)	.745 (18.92)	.6250-24 UNEF-2A
11	.608 (15.44)	.587 (14.91)	.618 (15.70)	.795 (20.19)	.6875-24 UNEF-2A
12	.650 (16.51)	.646 (16.41)	.676 (17.17)	.865 (21.97)	.6875-24 UNEF-2A
14	.805 (20.45)	.768 (19.51)	.800 (20.32)	.985 (25.02)	.9375-20 UNEF-2A

NOTES

1. Contacts are size 23 crimp type, and used in a rear release retention system.
2. For additional insert arrangements consult factory
3. Crimp barrel accommodates 22, 24, 26 and 28 gage wire
4. Crimp Tool Data:
 - Crimp Frame: 809-015
 - Positioner for use with crimp frame: Glenair part no. 809-005
 - Insertion / extraction tool: Glenair part no. 809-088
5. Connector, plug mates with all push/pull high density receptacle connectors with same polarization and opposite contact gender
6. Rear insulator grommet not supplied
7. Material and Finish
 - Shell: aluminum alloy or CRES / see how to order table
 - Insulator: high grade rigid dielectric
 - Interfacial seal, gasket: fluorosilicone / N.A.
 - Contact: copper alloy / gold plate per ASTM B 488, Type II, Code C, Class 1.25, over suitable underplate



SERIES 804 QDC PUSH-PULL Mighty Mouse Connectors and Cables



Cobra™ Right Angle Crimp Contact Plug with Integral Shield Termination Platform



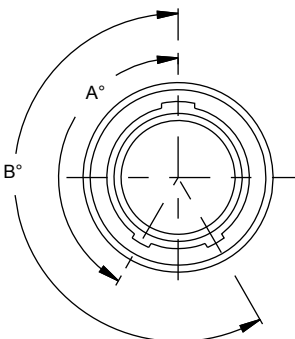
Series 804 Cobra™ Style Plug

Integral ultra-low profile right angle banding backshell reduces clearance requirements without compromising ruggedness, environmental protection, or shielding performance. Rear cover allows easy access and installation of pin and socket contacts. Cover gasket prevents moisture intrusion. Cover designed with lip to allow for quick, single-handed demating of plug. Eight clocking positions available. Offered in aluminum or stainless steel shells. Contacts are gold-plated copper alloy. Crimp contact version include snap-in rear release contacts. High-grade rigid dielectric insulators and fluorosilicone wire seal. Solder cup versions are factory-installed and epoxy potted. Available with 3 to 55 contacts. Size #23 contacts accept 22-28 AWG wire. Fluorosilicone interfacial seal and gasket for IP67 sealing in the mated condition.

How To Order

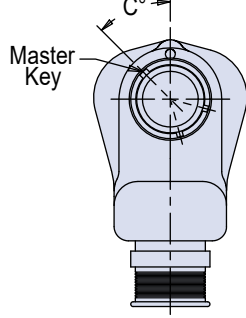
Sample Part Number	804-066-06	ZNU	8-13	P	A	1	05
Series	804-066-06 = Push Pull Plug						
Shell Material and Finish	M = Aluminum / Electroless Nickel MT = Aluminum / Nickel-PTFE NF = Aluminum / Cadmium with Olive Drab Chromate ZNU = Aluminum / Zinc-Nickel with Black Chromate Z1 = Stainless Steel / Passivated						
Shell Size - Insert Arrangement	5-3, 6-4, 6-6, 6-7, 7-10, 8-13, 9-19, 10-26, 12-37, 14-55						
Contact Type	A = Pin, Solder Cup P = Pin, Crimp B = Socket, Solder Cup S = Socket, Crimp						
Polarization (See Table I)	Omit = Single Master Key A = Normal B = Pos. B C = Pos. C D = Pos. D E = Pos. E F = Pos. F						
Cable Exit Position (See Table II)	1 through 8						
Cable Entry Size (See Table III)	2 through 12						

Table I: Key Positions



Pos.	A°	B°
A	150°	210°
B	75°	210°
C	95°	230°
D	140°	275°
E	75°	275°
F	95°	210°

Table II: Exit Position

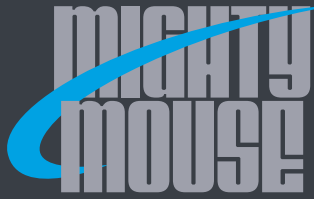


Pos	C°
1	0°
2	45°
3	90°
4	135°
5	180°
6	225°
7	270°
8	315°

Table III: Cable Entry

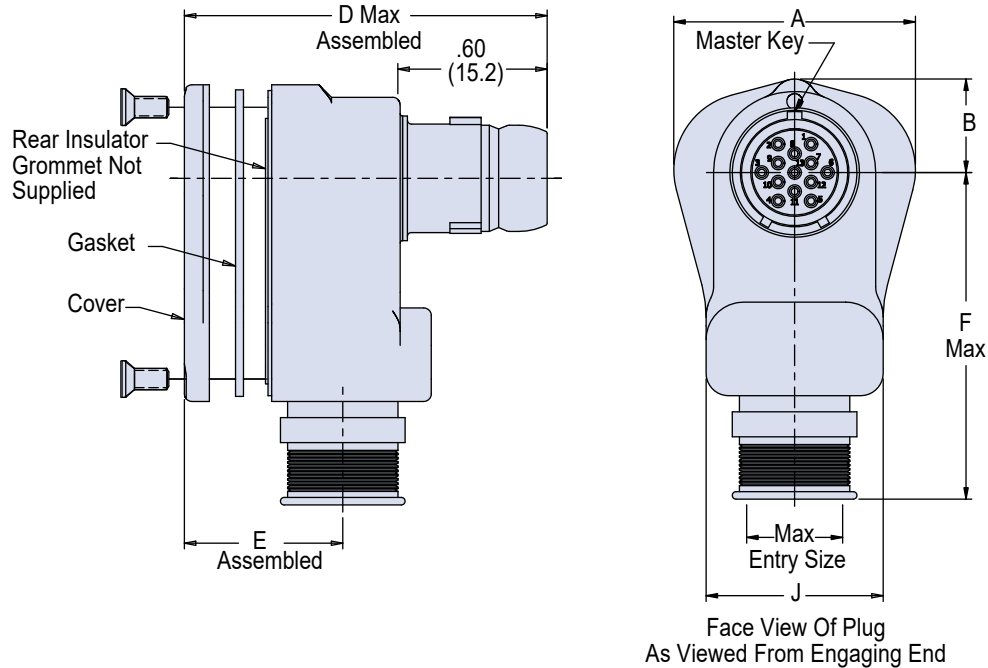
Code	Entry Size
02	0.125
03	0.188
04	0.250
05	0.313
06	0.375
07	0.438
08	0.500
09	0.563
10	0.625
11	0.688
12	0.750

SERIES 804 QDC PUSH-PULL



Cobra™ Right Angle Crimp Contact Plug with Integral Shield Termination Platform

RIGHT ANGLE LOW PROFILE CABLE PLUG



Dimensions									
Shell Size	Ø A	B	D Max	E Max	F	G Max	H Max	J	Max Entry Size
5	.67 (17.02)	.27 (6.86)	1.03 (26.16)	.32 (8.13)	1.21 (30.73)	1.34 (34.04)	1.16 (29.46)	.500 (12.70)	03
6	.75 (19.05)	.30 (7.62)	1.08 (27.43)	.34 (8.64)	1.24 (31.50)	1.39 (35.31)	1.21 (30.73)	.560 (14.22)	04
7	.88 (22.35)	.34 (8.64)	1.20 (30.48)	.39 (9.91)	1.28 (32.51)	1.50 (38.10)	1.32 (33.53)	.650 (16.51)	05
8	.97 (24.64)	.38 (9.65)	1.24 (31.50)	.42 (10.67)	1.31 (33.27)	1.54 (39.12)	1.36 (34.54)	.710 (18.03)	06
9	1.06 (26.92)	.41 (10.41)	1.30 (33.02)	.45 (11.43)	1.34 (34.04)	1.61 (40.89)	1.43 (36.32)	.770 (19.56)	07
10	1.15 (29.21)	.44 (11.18)	1.35 (34.29)	.48 (12.19)	1.37 (34.80)	1.66 (42.16)	1.47 (37.34)	.835 (21.21)	08
12	1.33 (33.78)	.50 (12.70)	1.44 (36.58)	.52 (13.21)	1.48 (37.59)	1.75 (44.45)	1.56 (39.62)	.950 (24.13)	10
14	1.46 (37.08)	.56 (14.22)	1.53 (38.86)	.58 (14.73)	1.64 (41.66)	1.84 (46.74)	1.69 (42.93)	1.070 (27.18)	12

NOTES

- Contacts are size 23
- Consult factory for additional contact arrangements and/or shell orientations
- Crimp barrel accommodate 22, 24, 26 and 28 gage wire
- Crimp tool data:
 - Hand crimp tool: Glenair part no. 809-015
 - Positioner for hand tool: glenair part no. 809-055
 - Insert/extraction tool: Glenair part no. 809-088
- Mates with all QDC, high density receptacle connectors with same polarization and opposite contact gender (804-003 through 804-006, 804-009, 804-020 and 804-021)
- Rear insulator grommet not supplied
- Material and Finish
 - Plug barrel, housing, cover: aluminum alloy or CRES/ see how to order table
 - Insulator: high grade rigid dielectric
 - Interfacial seal, gasket: fluorosilicone / N.A.
 - Contact: copper alloy / gold plate per ASTM B 488, Type II, Code C, Class 1.25, over suitable underplate
 - Contact retention clip: beryllium copper alloy / N.A.
 - Hardware: stainless steel / passivate or black oxide



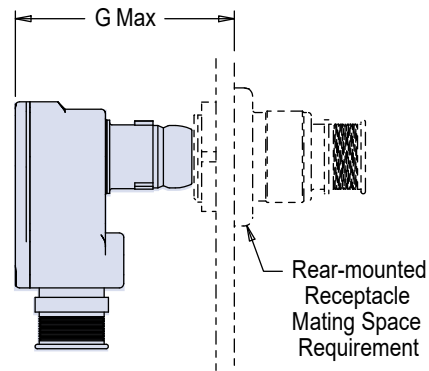
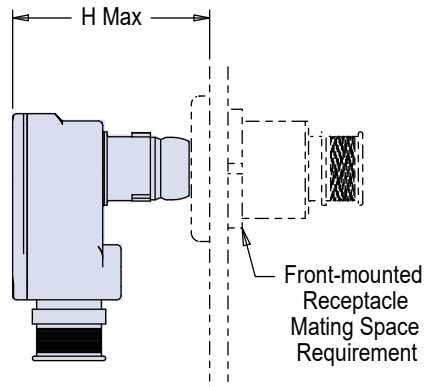
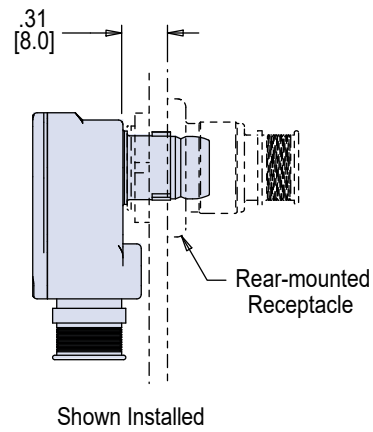
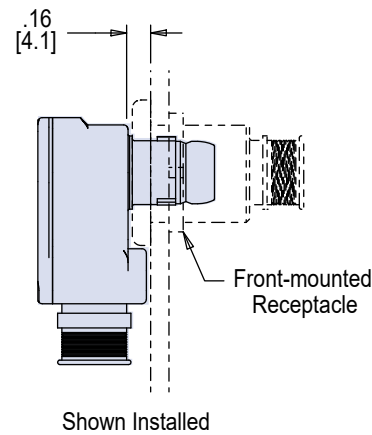
SERIES 804 QDC PUSH-PULL

Mighty Mouse Connectors and Cables

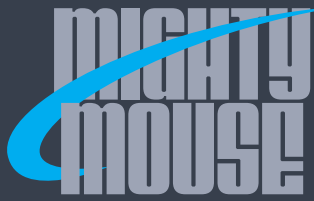


Cobra™ Right Angle Crimp Contact Plug with Integral Shield Termination Platform

MATING SPACE REQUIREMENTS



SERIES 804 QDC PUSH-PULL



SERIES 804 QDC PUSH-PULL

Mighty Mouse Connectors and Cables



Lanyard-Release Crimp Contact Plug with Accessory Threads



Series 804 Lanyard-Release Plug

Quick-release lanyard-equipped series 804 plugs provide unparalleled performance wherever lanyard-assisted disengagement is required. Designed to provide quick disconnect of the connector plug with a simple axial pull on the lanyard. Includes rear accessory thread for attachment of backshells or adapters. Crimp contacts are copper alloy/gold plated. IP67 in the mated condition.

How To Order										
Sample Part Number	804-113 -06 M 6-7 P A 6									
Series	804-113 = 804 Push / Pull Plug with lanyard									
Shell Style	-06 = Plug with accessory thread									
Shell Material and Finish	C = Aluminum / Black Anodize (Non-Conductive) M = Aluminum / Electroless Nickel MT = Aluminum / Nickel-PTFE NF = Aluminum / Cadmium with Olive Drab Chromate ZN = Aluminum / Zinc-Nickel with Olive Drab Chromate ZNU = Aluminum / Zinc-Nickel with Black Chromate Z1 = Stainless Steel / Passivated									
Shell Size - Insert Arrangement	Available in Shell Sizes 5 thru 14. See Contact Arrangements Page H-6									
Contact Style	<table border="0"> <tr> <td>Connector supplied without Crimp contacts</td> <td>Connector supplied with contacts</td> <td>Connector Supplied with 30 AWG Crimp Barrel</td> </tr> <tr> <td>A = Pin Connector</td> <td>P = Pin</td> <td>G = Pin</td> </tr> <tr> <td>B = Socket Connector</td> <td>S = Socket</td> <td>H = Socket</td> </tr> </table> <p>Connectors with contacts are supplied with crimp contacts. Contacts not installed. For coax contacts, order contacts separately and order connector without contacts.</p>	Connector supplied without Crimp contacts	Connector supplied with contacts	Connector Supplied with 30 AWG Crimp Barrel	A = Pin Connector	P = Pin	G = Pin	B = Socket Connector	S = Socket	H = Socket
Connector supplied without Crimp contacts	Connector supplied with contacts	Connector Supplied with 30 AWG Crimp Barrel								
A = Pin Connector	P = Pin	G = Pin								
B = Socket Connector	S = Socket	H = Socket								
Polarization (See Table I)	Omit = Single Key (non polarized) A = Normal B = Pos. B C = Pos. C D = Pos. D E = Pos. E F = Pos. F									
Lanyard Length	1 = 1 inch; Lanyard Length In Inches \pm .500									

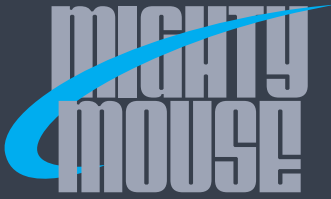
NOTES

1. Contacts crimp type, and are used in a rear release retention system
2. Crimp barrel accommodates 22, 24, 26 and 28 gage wire
3. Crimp tool data:
 - Crimp frame: M22520/2-01
 - Positioner for use with crimp frame: Glenair part number 809-005
 - Insertion/extraction tool: Glenair part number 809-088
4. This connector, plug mates with all push/pull high density receptacle connectors with same polarization and opposite contact gender 804-0044, 804-004, 804-005, 804-006, and 804-114
5. Connector releases at 0° to 15°. 15° release force will vary

Table I: Key Positions

Position	A°	B°
A	150°	210°
B	75°	210°
C	95°	230°
D	140°	275°
E	75°	275°
F	95°	210°

SERIES 804 QDC PUSH-PULL

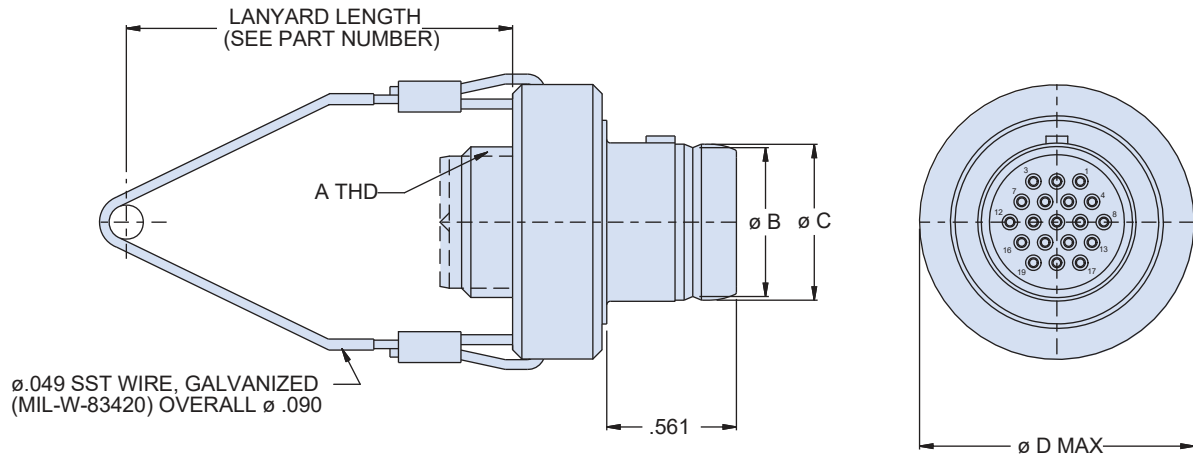


SERIES 804 QDC PUSH-PULL

Mighty Mouse Connectors and Cables



Lanyard-Release Crimp Contact Plug with Accessory Threads

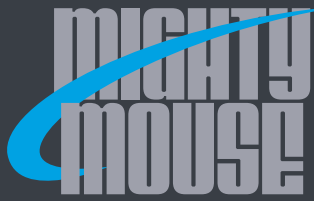


Dimensions				
Shell Size	A Thread	ø B	ø C	ø D MAX
5	.250-32 UNEF	.219 (5.56)	.250 (6.35)	.812 (20.62)
6	.3125-32 UNEF	.282 (7.16)	.313 (7.95)	.875 (22.23)
7	.4375-28 UNEF	.351 (8.92)	.383 (9.73)	.938 (23.83)
8	.5000-28 UNEF	.398 (10.11)	.429 (10.90)	1.000 (25.40)
9	.5625-24 UNEF	.454 (11.53)	.486 (12.34)	1.062 (26.97)
10	.6250-24 UNEF	.529 (13.44)	.563 (14.30)	1.125 (28.58)
11	.6875-24 UNEF	.587 (14.91)	.618 (15.70)	1.188 (30.18)
12	.6875-24 UNEF	.646 (16.41)	.676 (17.17)	1.250 (31.75)
14	.9375-20 UNEF	.768 (19.51)	.800 (20.32)	1.375 (34.92)

Material and Finish

- Shell: aluminum alloy or CRES/see how to order table
- Insulator: high grade rigid dielectric / N.A.
- Interfacial seal, grommet seal: fluorosilicone / N.A.
- Contact: copper alloy / gold plate per ASTM B 488, Type II, Code C, Class 1.25, over suitable underplate

SERIES 804 QDC PUSH-PULL



SERIES 804 QDC PUSH-PULL Mighty Mouse Connectors and Cables



Panel Mount Plugs with Crimp Contacts and Integral Shield Termination Platform



Panel Mount Plugs

Feature push/pull action for quick mating and demating of connectors. These small form factor connectors save panel space and come with removable, rear release crimp contacts. Integral band platform allows for termination of cable shield braid using Band-Master ATS® band. Mates with all push/pull high density receptacle connectors with same polarization and opposite contact gender. Fluorosilicone interfacial seal, O-ring and grommet seals provide IP67 sealing in the mated condition. Red stripe indicator aides in alignment during mating.

How To Order						
Sample Part Number	804-116	-07	NF	10-26	E	A
Series	804-116 = Panel Mount Plug, Crimp Contacts and Banding Porch					
Shell Style (See Table I)	00 = Jam-Nut, Front Panel Mount 02 = Flange Mount 07 = Jam-Nut, Rear Panel Mount					
Shell Material and Finish	C = Aluminum / Black Anodize (Non-Conductive) M = Aluminum / Electroless Nickel MT = Aluminum / Nickel-PTFE NF = Aluminum / Cadmium with Olive Drab Chromate ZNU = Aluminum / Zinc-Nickel with Black Chromate Z1 = Stainless Steel / Passivated					
Shell Size - Insert Arrangement	See Contact Arrangements Page H-6					
Contact Type	Connector supplied without Crimp contacts A = Pin Connector B = Socket Connector	Connector supplied with contacts P = Pin S = Socket	Connector Supplied with 30 AWG Crimp Barrel G = Pin H = Socket			
Polarization (See Table II)	Omit = Single Key (non polarized) A = Normal B = Pos. B C = Pos. C D = Pos. D E = Pos. E F = Pos. F					

Table I: Shell Style		
-07 Jam-Nut, Rear Panel Mount	-02 Flange Mount	-00 Jam-Nut, Front Panel Mount

Table II: Key Positions			
	Pos.	A°	B°
	A	150°	210°
	B	75°	210°
	C	95°	230°
	D	140°	275°
	E	75°	275°
	F	95°	210°

NOTES

- Contacts are crimp type, and used in a rear release retention system
- Plug mates with all push/pull high density receptacle connectors with same polarization and opposite contact gender
- See page H-9 for recommended panel cut-outs

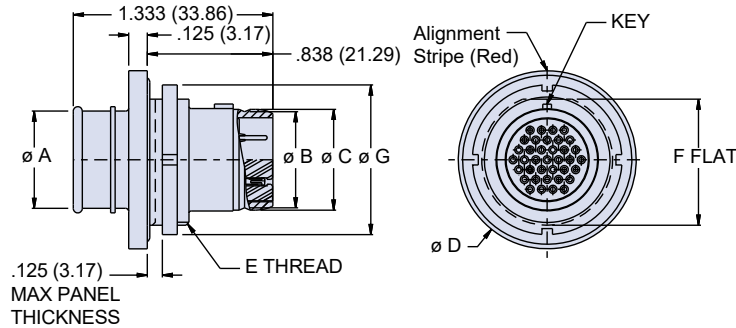


SERIES 804 QDC PUSH-PULL Mighty Mouse Connectors and Cables



Panel Mount Plugs with Crimp Contacts and Cable Shield Termination Platform

JAM-NUT, REAR PANEL MOUNT PLUG - STYLE 07

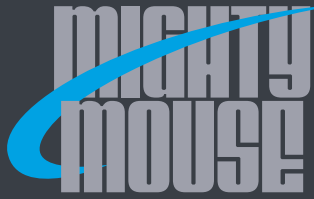


Dimensions							
Shell Size	Ø A	Ø B	Ø C	Ø D	E Thread	F Flat	Ø G
5	0.245 (6.22)	0.219 (5.56)	0.250 (6.35)	0.730 (18.54)	.4375-32 UN-2A	0.415 [0.02]	0.562 [0.02]
6	0.290 (7.37)	0.282 (7.16)	0.313 (7.95)	0.730 (18.54)	.5000-32 UN-2A	0.467 [0.02]	0.625 [0.02]
7	0.390 (9.91)	0.351 (8.92)	0.382 (9.70)	0.910 (23.11)	.6250-28 UN-2A	0.594 [0.02]	0.750 [0.03]
8	0.445 (11.30)	0.398 (10.11)	0.429 (10.90)	0.955 (24.26)	.6250-28 UN-2A	0.594 [0.02]	0.750 [0.03]
9	0.500 (12.70)	0.454 (11.53)	0.486 (12.34)	1.000 (25.40)	.6875-28 UN-2A	0.655 [0.03]	0.812 [0.03]
10	0.560 (14.22)	0.529 (13.44)	0.562 (14.27)	1.085 [0.04]	.7500-28 UN-2A	0.721 [0.03]	0.875 [0.03]
12	0.650 (16.51)	0.646 (16.41)	0.677 (17.20)	1.180 [0.05]	.8750-28 UN-2A	0.843 [0.03]	1.000 [0.04]
14	0.805 (20.45)	0.768 (19.51)	0.800 (20.32)	1.325 [0.05]	1.0000-28 UN-2A	0.968 [0.04]	1.125 [0.04]

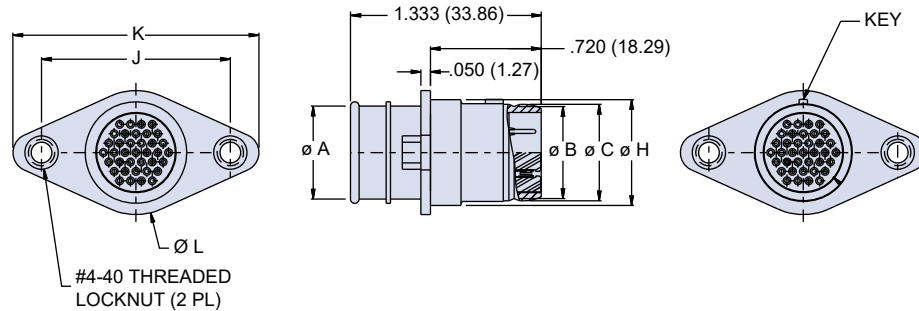
Material and Finish

- Shell, jam-nut: aluminum alloy or CRES/ see how to order table
- Insulator: high grade rigid dielectric / N.A.
- Interfacial seal, O-ring, grommet: fluorosilicone / N.A.
- Contact: copper alloy / gold plate per ASTM B 488, Type II, Code C, Class 1.25, over suitable underplate
- Potting compound: epoxy / N.A.

SERIES 804 QDC PUSH-PULL



FLANGE MOUNT PLUG - STYLE 02



Dimensions							
Shell Size	$\varnothing A$	$\varnothing B$	$\varnothing C$	H	J	K	$\varnothing L$
5	0.245 (6.22)	0.219 (5.56)	0.250 (6.35)	0.320 (0.01)	0.755 (0.03)	1.055 (0.04)	0.420 (0.02)
6	0.290 (7.37)	0.282 (7.16)	0.313 (7.95)	0.385 (0.02)	0.820 (0.03)	1.120 (0.04)	0.445 (0.02)
7	0.390 (9.91)	0.351 (8.92)	0.382 (9.70)	0.450 (0.02)	0.885 (0.03)	1.185 (0.05)	0.550 (0.02)
8	0.445 (11.30)	0.398 (10.11)	0.429 (10.90)	0.495 (0.02)	0.930 (0.04)	1.230 (0.05)	0.593 (0.02)
9	0.500 (12.70)	0.454 (11.53)	0.486 (12.34)	0.555 (0.02)	0.990 (0.04)	1.290 (0.05)	0.651 (0.03)
10	0.560 (14.22)	0.529 (13.44)	0.562 (14.27)	0.625 (0.02)	1.060 (0.04)	1.360 (0.05)	0.741 (0.03)
12	0.650 (16.51)	0.646 (16.41)	0.677 (17.20)	0.750 (0.03)	1.185 (0.05)	1.485 (0.06)	0.850 (0.03)
14	0.805 (20.45)	0.768 (19.51)	0.800 (20.32)	0.865 (0.03)	1.300 (0.05)	1.600 (0.06)	0.975 (0.04)

Material and Finish

- Shell: aluminum alloy or CRES/ see how to order table
- Insulator: high grade rigid dielectric /N.A.
- Interfacial seal, O-ring, grommet: fluorosilicone /N.A.
- Contact: copper alloy /gold plate per ASTM B 488, Type II, Code C, Class 1.25, over suitable underplate
- Potting compound: epoxy /N.A.

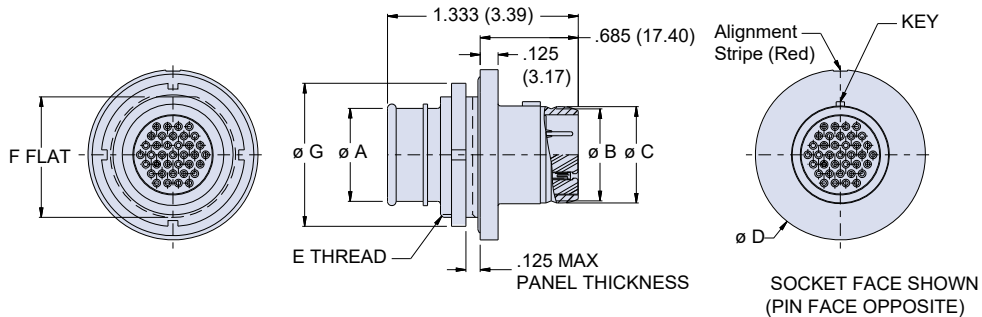


SERIES 804 QDC PUSH-PULL Mighty Mouse Connectors and Cables



Panel Mount Plugs with Crimp Contacts and Cable Shield Termination Platform

JAM-NUT, FRONT PANEL MOUNT, PLUG - STYLE 00



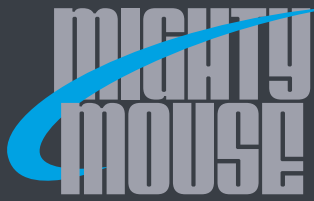
Dimensions								
Shell Size	Ø A	Ø B	Ø C	Ø D	E Thread	F Flat	Ø G	H
5	0.245 (6.22)	0.219 (5.56)	0.250 (6.35)	0.730 (18.54)	.4375-32 UN-2A	0.415 (0.02)	0.562 (0.02)	0.320 (0.01)
6	0.290 (7.37)	0.282 (7.16)	0.313 (7.95)	0.730 (18.54)	.5000-32 UN-2A	0.467 (0.02)	0.625 (0.02)	0.385 (0.02)
7	0.390 (9.91)	0.351 (8.92)	0.382 (9.70)	0.910 (23.11)	.6250-28 UN-2A	0.594 (0.02)	0.750 (0.03)	0.450 (0.02)
8	0.445 (11.30)	0.398 (10.11)	0.429 (10.90)	0.955 (24.26)	.6250-28 UN-2A	0.594 (0.02)	0.750 (0.03)	0.495 (0.02)
9	0.500 (12.70)	0.454 (11.53)	0.486 (12.34)	1.000 (25.40)	.6875-28 UN-2A	0.655 (0.03)	0.812 (0.03)	0.555 (0.02)
10	0.560 (14.22)	0.529 (13.44)	0.562 (14.27)	1.085 [0.04]	.7500-28 UN-2A	0.721 (0.03)	0.875 (0.03)	0.625 (0.02)
12	0.650 (16.51)	0.646 (16.41)	0.677 (17.20)	1.180 [0.05]	.8750-28 UN-2A	0.843 (0.03)	1.000 (0.04)	0.750 (0.03)
14	0.805 (20.45)	0.768 (19.51)	0.800 (20.32)	1.325 [0.05]	1.0000-28 UN-2A	0.968 (0.04)	1.125 (0.04)	0.865 (0.03)

Jam-Nut Front Panel Mount Cutout Dimensions		
Shell Size	N Flat	Ø M
5	.482 (12.24)	.510 (12.95)
	.478 (12.14)	
6	.542 (13.77)	.575 (14.60)
	.538 (13.67)	
7	.676 (17.17)	.698 (17.73)
	.671 (17.04)	
8	.676 (17.17)	.698 (17.73)
	.671 (17.04)	
9	.732 (18.59)	.760 (19.30)
	.728 (18.49)	
10	.801 (20.35)	.822 (20.88)
	.796 (20.22)	
12	.982 (24.94)	1.010 (25.65)
	.978 (24.84)	
14	1.032 (26.21)	1.075 (27.30)
	1.028 (26.11)	

Material and Finish

- Shell: aluminum alloy or CRES / see how to order table
- Insulator: high grade rigid dielectric / N.A.
- Interfacial seal, O-ring, grommet: fluorosilicone / N.A.
- Contact: copper alloy / gold plate per ASTM B 488, Type II, Code C, Class 1.25, over suitable underplate
- Potting compound: epoxy / N.A.

SERIES 804 QDC PUSH-PULL



SERIES 804 QDC PUSH-PULL

Mighty Mouse Connectors and Cables



PC Tail or Solder Cup Panel Mount Plugs



Environmental, PCB Plug

804-009 connectors feature low-profile shells for minimum protrusion inside enclosures and integral board standoffs. Contacts are non-removable. Specify 804-009 connectors for applications where open face water immersion is not a requirement. IP67 in the mated condition.

Water Tight PCB Plug

804-021 connectors are identical to 800-012, but are specially sealed ("MOD-518") and 100% tested to maintain a helium leak rate of less than 1×10^{-4} cc/second at one atmosphere pressure differential. Connectors meet MIL-STD-810 Method 512G immersion requirements in unmated/open face condition.

How To Order	
Sample Part Number	804-009 -07 NF 10-26 E A
Series	804-009 = Panel Mount Plug, Standard Potting 804-021 = Panel Mount Plug, Resilient Silicone Potting for Watertight Seal from -40° to +70°C (1 ATM Pressure Differential)
Shell Style (See Table I)	-00 = Jam-Nut, Front Panel Mount -02 = Flange Mount -07 = Jam-Nut, Rear Panel Mount
Shell Material and Finish	C = Aluminum / Black Anodize (Non-Conductive) M = Aluminum / Electroless Nickel MT = Aluminum / Nickel-PTFE NF = Aluminum / Cadmium with Olive Drab Chromate ZNU = Aluminum / Zinc-Nickel with Black Chromate Z1 = Stainless Steel / Passivated
Shell Size - Insert Arrangement	See Contact Arrangements Page H-6
Contact Type	P = Pin, PC Tail E = Pin, Solder Cup S = Socket, PC Tail F = Socket, Solder Cup Contacts are pre-installed and non-removable.
Polarization (See Table II)	Omit = Single Master Key A = Normal B = Pos. B C = Pos. C D = Pos. D E = Pos. E F = Pos. F

Table I: Shell Style

-00 Jam-Nut, Front Panel Mount	-07 Jam-Nut, Rear Panel Mount	-02 Flange Mount

Table II: Key Positions

	Pos.	A°	B°
	A	150°	210°
	B	75°	210°
	C	95°	230°
	D	140°	275°
	E	75°	275°
	F	95°	210°

NOTES

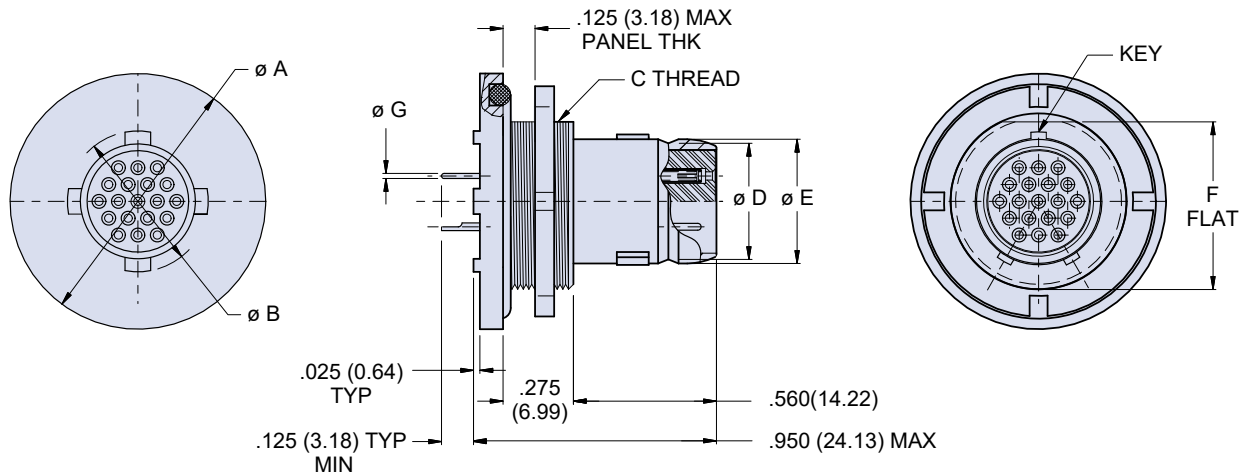
1. Contacts are nonremoveable and connector is back potted
2. Connector, plug mates with all push/pull high density receptacle connectors with same polarization and opposite contact gender
3. See page H-9 for recommended panel cut-outs



SERIES 804 QDC PUSH-PULL
Mighty Mouse Connectors and Cables
 PC Tail or Solder Cup Panel Mount Plugs



JAM-NUT, REAR PANEL MOUNT PLUG - SHELL STYLE 07

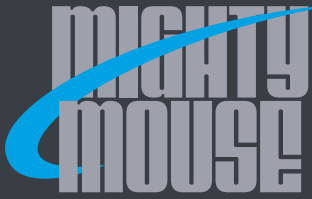


Dimensions							
Shell Size	$\varnothing A$	$\varnothing B$	C Threads	$\varnothing D$	$\varnothing E$	F Flat	$\varnothing G$ Tail Dia.
5	.790 (20.07)	.244 (6.20)	.4375-32 UN-2A	.219 (5.56)	.250 (6.35)	.415 (10.54)	#23 .018/.022 (0.46/0.56)
6	.830 (21.08)	.330 (8.38)	.5000-32 UN-2A	.282 (7.16)	.313 (7.95)	.467 (11.86)	
7	.910 (23.11)	.432 (10.97)	.6250-28 UN-2A	.351 (8.92)	.383 (9.73)	.594 (15.09)	
8	.955 (24.26)	.493 (12.52)	.6250-28 UN-2A	.398 (10.11)	.429 (10.90)	.594 (15.09)	#20 .024/.028 (0.61/0.71)
9	1.000 (25.40)	.551 (14.00)	.6875-28 UN-2A	.454 (11.53)	.486 (12.34)	.655 (16.64)	#16 .060/.064 (1.52/1.63)
10	1.085 (27.56)	.620 (15.75)	.7500-28 UN-2A	.529 (13.44)	.563 (14.30)	.721 (18.31)	
11	1.135 (28.83)	.662 (16.81)	.8125-28 UN-2A	.587 (14.91)	.618 (15.70)	.790 (20.07)	
12	1.180 (29.97)	.703 (17.86)	.8750-28 UN-2A	.646 (16.41)	.676 (17.17)	.843 (21.41)	#12 .092/.096 (2.34/2.44)
14	1.325 (33.65)	.863 (21.92)	1.0000-28 UN-2A	.768 (19.51)	.800 (20.32)	.968 (24.59)	

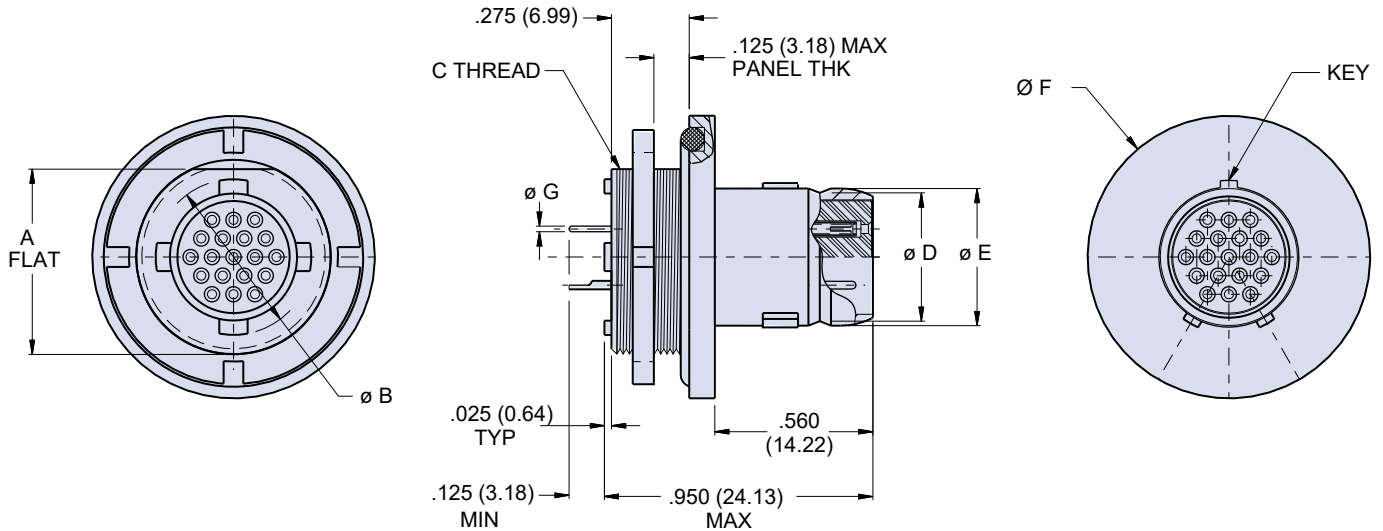
Material and Finish

- Shell, jam-nut: aluminum alloy or CRES / see how to order table
- Insulator: high grade rigid dielectric / N.A.
- Interfacial seal, O-ring: fluorosilicone / N.A.
- Contact: copper alloy / gold plate per ASTM B 488, Type II, Code C, Class 1.25, over suitable underplate
- Potting compound: epoxy / N.A.

SERIES 804 QDC PUSH-PULL



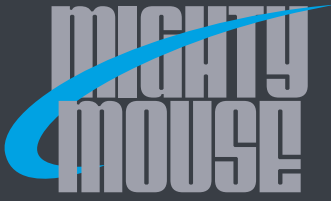
JAM-NUT, FRONT PANEL MOUNT PLUG - STYLE 00



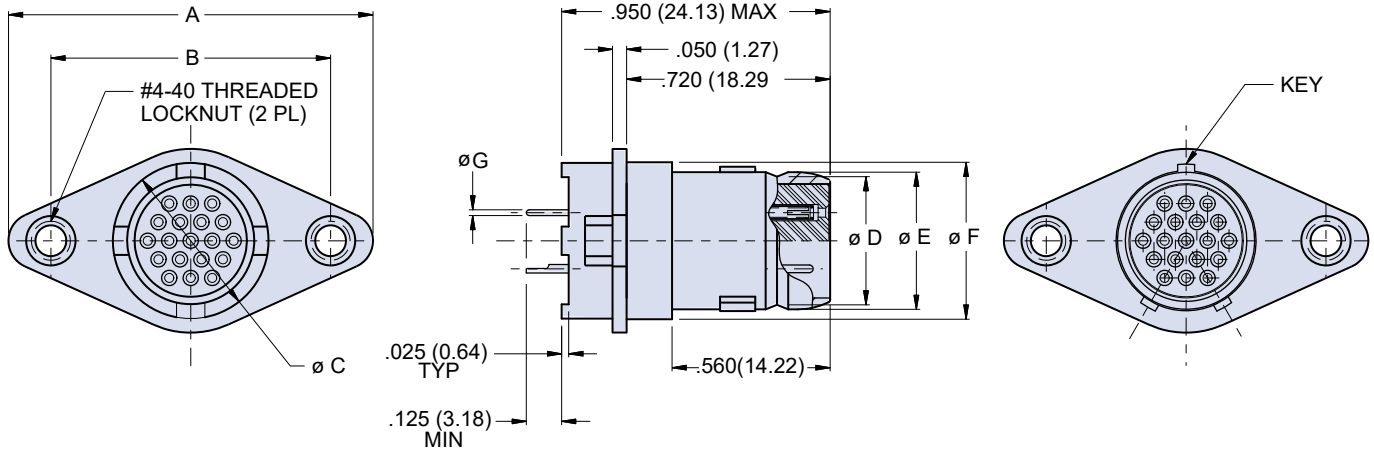
Dimensions							
Shell Size	A Flat	Ø B	C Threads	Ø D	Ø E	Ø F	Ø G Tail Dia.
5	.415 (10.54)	.244 (6.20)	.4375-32 UN-2A	.219 (5.56)	.250 (6.35)	.790 (20.07)	#23 .018/.022 (0.46/0.56)
6	.467 (11.86)	.330 (8.38)	.5000-32 UN-2A	.282 (7.16)	.313 (7.95)	.830 (21.08)	
7	.594 (15.09)	.432 (10.97)	.6250-28 UN-2A	.351 (8.92)	.383 (9.73)	.910 (23.11)	
8	.594 (15.09)	.493 (12.52)	.6250-28 UN-2A	.398 (10.11)	.429 (10.90)	.955 (24.26)	#20 .024/.028 (0.61/0.71)
9	.655 (16.64)	.551 (14.00)	.6875-28 UN-2A	.454 (11.53)	.486 (12.34)	1.000 (25.40)	
10	.721 (18.31)	.620 (15.75)	.7500-28 UN-2A	.529 (13.44)	.563 (14.30)	1.085 (27.56)	#16 .060/.064 (1.52/1.63)
11	.790 (20.07)	.662 (16.81)	.8125-28 UN-2A	.587 (14.91)	.618 (15.70)	1.135 (28.83)	
12	.843 (21.41)	.703 (17.86)	.8750-28 UN-2A	.646 (16.41)	.676 (17.17)	1.180 (29.97)	#12 .092/.096 (2.34/2.44)
14	.968 (24.59)	.863 (21.92)	1.0000-28 UN-2A	.768 (19.51)	.800 (20.32)	1.325 (33.65)	

Material and Finish

- Shell: aluminum alloy or CRES/ see how to order table
- Insulator: high grade rigid dielectric /N.A.
- Interfacial seal, O-ring: fluorosilicone /N.A.
- Contact: copper alloy / gold plate per ASTM B 488, Type II, Code C, Class 1.25, over suitable underplate
- Potting compound: epoxy /N.A.



FLANGE MOUNT PLUG - STYLE 02

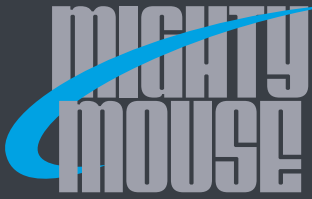


Dimensions							
Shell Size	A	B ±.005 (.02)	ø C	ø D	ø E	ø F	ø G Tail Dia.
5	1.055 (26.80)	.755 (19.18)	.244 (6.20)	.219 (5.56)	.250 (6.35)	.320 (8.13)	#23 .018/.022 (0.46/0.56)
6	1.120 (28.45)	.820 (20.83)	.330 (8.38)	.282 (7.16)	.313 (7.95)	.385 (9.78)	
7	1.185 (30.10)	.885 (22.48)	.432 (10.97)	.351 (8.92)	.383 (9.73)	.450 (11.43)	
8	1.230 (31.24)	.930 (23.62)	.493 (12.52)	.398 (10.11)	.429 (10.90)	.495 (12.57)	#20 .024/.028 (0.61/0.71)
9	1.290 (32.77)	.990 (25.15)	.551 (14.00)	.454 (11.53)	.486 (12.34)	.555 (14.10)	
10	1.360 (34.54)	1.060 (26.92)	.620 (15.75)	.529 (13.44)	.563 (14.30)	.625 (15.88)	#16 .060/.064 (1.52/1.63)
11	1.420 (36.07)	1.120 (28.45)	.662 (16.81)	.587 (14.91)	.618 (15.70)	.690 (17.53)	
12	1.485 (37.72)	1.185 (30.10)	.703 (17.86)	.646 (16.41)	.676 (17.17)	.750 (19.05)	#12 .092/.096 (2.34/2.44)
14	1.600 (40.64)	1.300 (33.02)	.863 (21.92)	.768 (19.51)	.800 (20.32)	.865 (21.97)	

Material and Finish

- Shell: aluminum alloy or CRES/ see how to order table
- Insulator: high grade rigid dielectric / N.A.
- Interfacial seal, O-ring: fluorosilicone / N.A.
- Contact: copper alloy / gold plate per ASTM B 488, Type II, Code C, Class 1.25, over suitable underplate
- Potting compound: epoxy / N.A.

SERIES 804 QDC PUSH-PULL



SERIES 804 QDC PUSH-PULL

Mighty Mouse Connectors and Cables



Receptacles with Crimp Contacts, Integral Shield Termination Platform or Accessory Threads



Series 804 Panel Mount and Inline Receptacles

Feature integral band platform or accessory thread. Choose band platform for direct attachment of cable shield and boot, or overmold directly onto the band platform. Select accessory thread for attachment of backshells. Three shell styles including front or rear panel mount jam-nut and in-line cable receptacles. Fluorosilicone interfacial seal, O-ring and grommet provide IP67 sealing mated. Gold-plated spring provides secure mechanical retention and low shell-to-shell resistance for excellent EMI shielding. Crimp removable contacts are copper alloy and gold plated.

How To Order						
Sample Part Number	804-003	-01	M	7-10	P	
Series (See Table I)	804-003 = Receptacle with Banding Platform 804-004 = Receptacle with Accessory Thread					
Shell Style (See Table II)	-00 = Front Panel Mount Jam-Nut -01 = In-Line -07 = Rear Panel Mount Jam-Nut					
Shell Material and Finish	C = Aluminum / Black Anodize (Non-Conductive) M = Aluminum / Electroless Nickel MT = Aluminum / Nickel-PTFE NF = Aluminum / Cadmium with Olive Drab Chromate ZNU = Aluminum / Zinc-Nickel with Black Chromate Z1 = Stainless Steel / Passivated					
Shell Size - Insert Arrangement	See Contact Arrangements Page H-6					
Contact Type	Connector supplied without contacts A = Pin, Crimp B = Socket, Crimp	Connector supplied with contacts P = Pin Connector S = Socket Connector	Connector Supplied with 30 AWG Crimp Barrel G = Pin, Crimp H = Socket, Crimp	Connectors with contacts are supplied with crimp contacts. Contacts not installed. For Coax contacts, order contacts separately and order connector without contacts.		
Polarization (See Table III)	Omit = Single Master Key A = Normal B = Pos. B C = Pos. C D = Pos. D E = Pos. E F = Pos. F					

Table I: Series	
804-003 Receptacle with Banding Platform	804-004 Receptacle with Accessory Thread

Table II: Shell Style		
-00 Jam-Nut for Front Panel Mounting	-01 In-Line for Free-Hanging Cable	-07 Jam-Nut for Rear Panel Mounting

Table III: Keyway Positions		
Pos.	A°	B°
A	150°	210°
B	75°	210°
C	95°	230°
D	140°	275°
E	75°	275°
F	95°	210°

NOTES

1. Contacts are crimp type, and used in a rear release retention system
2. Receptacle connector mates with all push/pull high density plug connectors with same polarization and opposite contact gender
3. Grommet protrudes for power/combo arrangements
4. See page H-9 for recommended panel cut-outs

SERIES 804 QDC PUSH-PULL

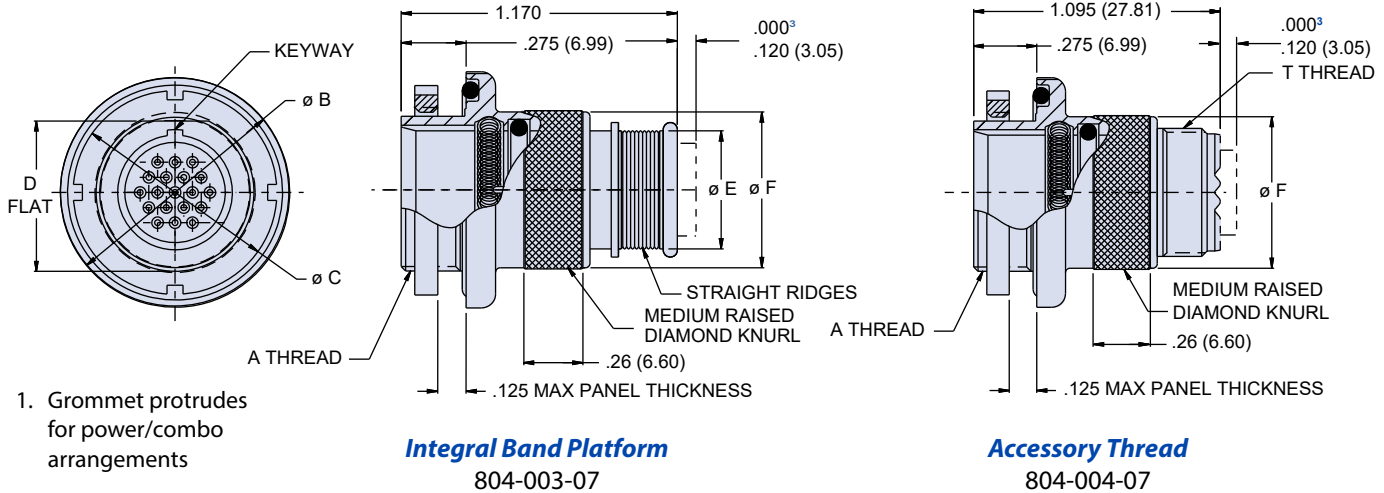


SERIES 804 QDC PUSH-PULL
Mighty Mouse Connectors and Cables



RPM Jam-Nut with Crimp Contacts, Integral Shield Termination Platform or Accessory Threads

JAM-NUT, REAR PANEL MOUNT RECEPTACLE - SHELL STYLE 07

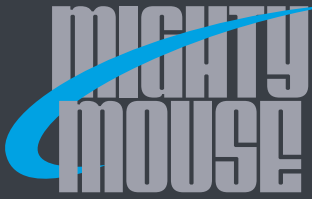


Dimensions							
Shell Size	A Thread	Ø B	Ø C	D Flat	Ø E	Ø F	T Threads
5	.4375-32 UN-2A	.760 (19.30)	.562 (14.27)	.415 (10.54)	.246 (6.25)	.450 (11.43)	.2500-32 UNEF-2A
6	.5000-32 UN-2A	.825 (20.96)	.625 (15.88)	.467 (11.86)	.286 (7.26)	.480 (12.19)	.3125-32 UNEF-2A
7	.6250-28 UN-2A	.900 (22.86)	.750 (19.05)	.594 (15.09)	.390 (9.91)	.580 (14.73)	.4375-28 UNEF-2A
8	.6250-28 UN-2A	.945 (24.00)	.750 (19.05)	.594 (15.09)	.442 (11.23)	.603 (15.32)	.5000-28 UNEF-2A
9	.6875-28 UN-2A	1.000 (25.40)	.812 (20.62)	.655 (16.64)	.500 (12.70)	.690 (17.53)	.5625-24 UNEF-2A
10	.7500-28 UN-2A	1.075 (27.30)	.875 (22.23)	.721 (18.31)	.564 (14.33)	.735 (18.67)	.6250-24 UNEF-2A
11	.8125-28 UN-2A	1.135 (28.83)	.938 (23.83)	.790 (20.02)	.608 (15.44)	.810 (20.57)	.6875-24 UNEF-2A
12	.8750-28 UN-2A	1.190 (30.23)	1.000 (25.40)	.843 (21.41)	.650 (16.51)	.880 (22.35)	.6875-24 UNEF-2A
14	1.0000-28 UN-2A	1.312 (33.65)	1.125 (28.58)	.968 (24.59)	.805 (20.45)	.973 (24.71)	.9375-20 UNEF-2A

Material and Finish

- Shell, jam-nut: aluminum alloy or CRES / see how to order table
- Insulator: high grade rigid dielectric
- Interfacial seal, O-ring, grommet: fluorosilicone / N.A.
- Contact: copper alloy / gold plate per ASTM B 488, Type II, Code C, Class 1.25, over suitable underplate
- Spring: CRES / gold plated

SERIES 804 QDC PUSH-PULL



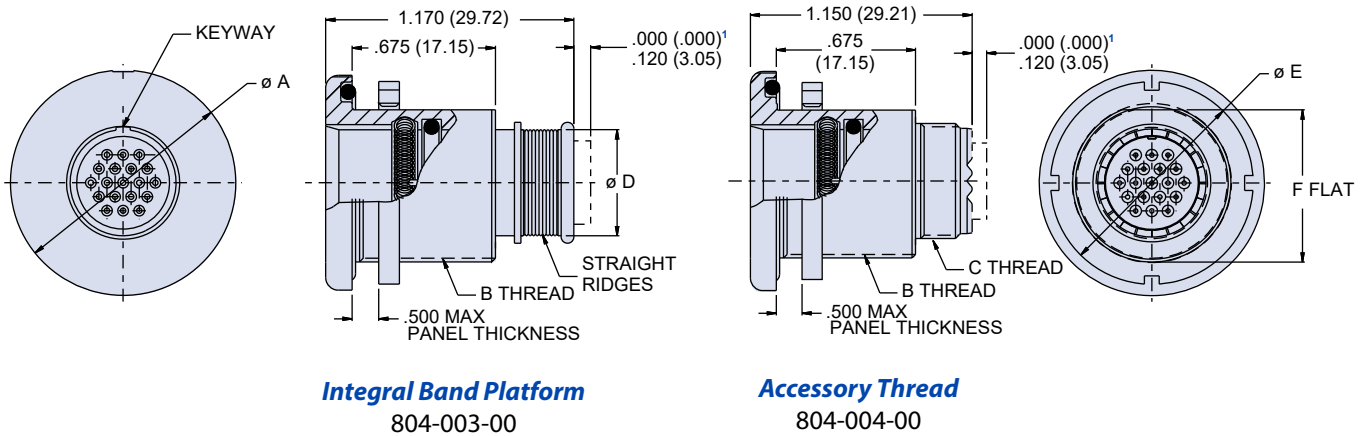
SERIES 804 QDC PUSH-PULL

Mighty Mouse Connectors and Cables



FPM Jam-Nut with Crimp Contacts, Integral Shield Termination Platform or Accessory Threads

JAM-NUT, FRONT PANEL MOUNT RECEPTACLE - SHELL STYLE 00



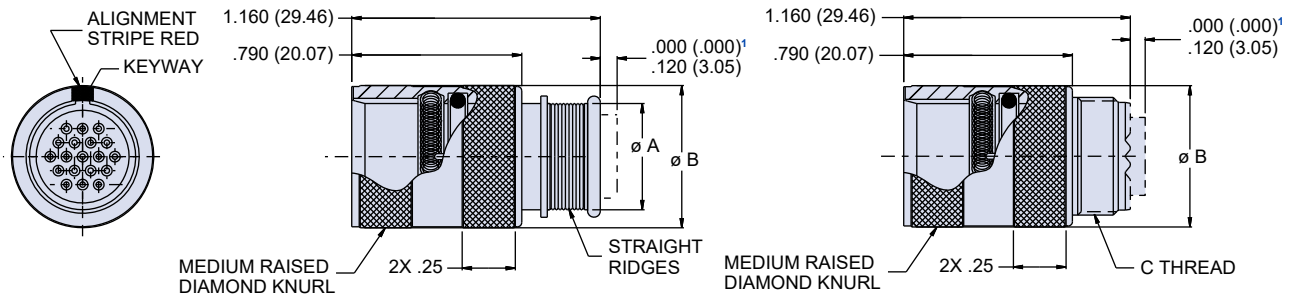
Dimensions						
Shell Size	Ø A	B Threads	C Threads	Ø D	Ø E	F Flat
5	.830 (21.08)	.5000-32 UN-2A	.2500-32 UNEF-2A	.246 (6.25)	.625 (15.88)	.470 (11.94)
6	.885 (22.48)	.5625-32 UN-2A	.3125-32 UNEF-2A	.286 (7.26)	.688 (17.48)	.530 (13.46)
7	.995 (25.27)	.6875-28 UN-2A	.4375-28 UNEF-2A	.390 (9.91)	.812 (20.62)	.663 (16.84)
8	.995 (25.27)	.6875-28 UN-2A	.5000-28 UNEF-2A	.442 (11.23)	.812 (20.62)	.663 (16.84)
9	1.065 (27.05)	.7500-28 UN-2A	.5625-24 UNEF-2A	.500 (12.70)	.875 (22.23)	.715 (18.16)
10	1.140 (28.96)	.8125-28 UN-2A	.6250-24 UNEF-2A	.564 (14.33)	.938 (23.83)	.790 (20.07)
11	1.190 (30.23)	.8750-28 UN-2A	.6875-24 UNEF-2A	.608 (15.44)	1.000 (25.40)	.843 (21.41)
12	1.340 (34.04)	1.0000-28 UN-2A	.6875-24 UNEF-2A	.650 (16.51)	1.125 (28.58)	.972 (24.69)
14	1.390 (35.31)	1.0620-20 UN-2A	.9375-20 UNEF-2A	.805 (20.45)	1.162 (29.51)	1.022 (25.96)

Material and Finish

- Shell: aluminum alloy or CRES/ see how to order table
- Insulator: high grade rigid dielectric
- Interfacial seal, O-ring, grommet: fluorosilicone / N.A.
- Contact: copper alloy / gold plate per ASTM B 488, Type II, Code C, Class 1.25, over suitable underplate
- Spring: CRES / gold plated



CABLE RECEPTACLE - SHELL STYLE 01



Integral Band Platform
804-003-01

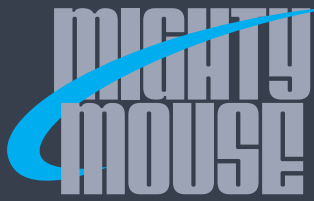
Accessory Thread
804-004-01

Dimensions			
Shell Size	Ø A	Ø B	C Threads
5	.246 (6.25)	.450 (11.43)	.2500-32 UNEF-2A
6	.286 (7.26)	.480 (12.19)	.3125-32 UNEF-2A
7	.390 (9.91)	.580 (14.73)	.4375-28 UNEF-2A
8	.442 (11.23)	.603 (15.32)	.5000-28 UNEF-2A
9	.500 (12.70)	.690 (17.53)	.5625-24 UNEF-2A
10	.564 (14.33)	.735 (18.67)	.6250-24 UNEF-2A
11	.608 (15.44)	.810 (20.57)	.6875-24 UNEF-2A
12	.650 (16.51)	.880 (22.35)	.6875-24 UNEF-2A
14	.805 (20.45)	.973 (24.71)	.9375-20 UNEF-2A

Material and Finish

- Shell: aluminum alloy or CRES/ see how to order table
- Insulator: high grade rigid dielectric
- Interfacial seal, O-ring, grommet: fluorosilicone /N.A.
- Contact: copper alloy /gold plate per ASTM B 488, Type II, Code C, Class 1.25, over suitable underplate
- Spring: CRES /gold plated

SERIES 804 QDC PUSH-PULL



Lanyard-Release Crimp Removable Contact Receptacle with Accessory Threads



Series 804 Lanyard-Release Receptacle

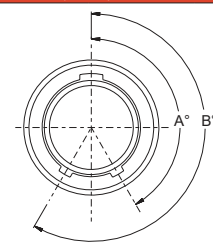
Quick-release lanyard-equipped push/pull receptacles provide unparalleled disengagement performance. Low separation force design provides "quick disconnect" of mated connector receptacle with a simple axial pull on the lanyard. Rear accessory thread allows for addition of connector backshells or adapters. Conductive finishes available

How To Order										
Sample Part Number	804-114 -01 M 6-7 P A 6									
Series	804-114 = 804 Push / Pull Receptacle with Lanyard									
Shell Style	-01 = Receptacle with accessory thread									
Shell Material and Finish	C = Aluminum / Black Anodize (Non-Conductive) M = Aluminum / Electroless Nickel MT = Aluminum / Nickel-PTFE NF = Aluminum / Cadmium with Olive Drab Chromate ZN = Aluminum / Zinc-Nickel with Olive Drab Chromate ZNU = Aluminum / Zinc-Nickel with Black Chromate Z1 = Stainless Steel / Passivated									
Shell Size - Insert Arrangement	Available in Shell Sizes 5 thru 14. See Contact Arrangements Page H-6									
Contact Style	<table border="0"> <tr> <td>Connector supplied with contacts</td> <td>Connector supplied without contacts</td> <td>Connector Supplied with 30 AWG Barrel</td> </tr> <tr> <td>P = Pin, Crimp</td> <td>A = Pin Connector</td> <td>G = Pin, Crimp</td> </tr> <tr> <td>S = Socket, Crimp</td> <td>B = Socket Connector</td> <td>H = Socket, Crimp</td> </tr> </table> <p>Connectors with contacts are supplied with crimp contacts. Contacts not installed. For Coax contacts, order contacts separately and order connector without contacts.</p>	Connector supplied with contacts	Connector supplied without contacts	Connector Supplied with 30 AWG Barrel	P = Pin, Crimp	A = Pin Connector	G = Pin, Crimp	S = Socket, Crimp	B = Socket Connector	H = Socket, Crimp
Connector supplied with contacts	Connector supplied without contacts	Connector Supplied with 30 AWG Barrel								
P = Pin, Crimp	A = Pin Connector	G = Pin, Crimp								
S = Socket, Crimp	B = Socket Connector	H = Socket, Crimp								
Polarization (See Table I)	Omit = Single Key (non polarized) A = Normal B = Pos. B C = Pos. C D = Pos. D E = Pos. E F = Pos. F									
Lanyard Length	1 = 1 inch; Lanyard Length In Inches \pm .500									

NOTES

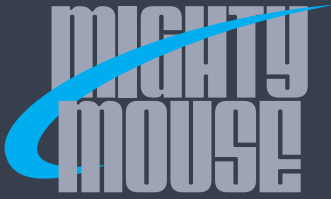
1. Contacts are size 23 crimp type, and are used in a rear release retention system
2. Crimp barrel accommodates 22, 24, 26, 28 and 30 (contact style G and H) gage wire.
3. Crimp tool data:
 - Crimp frame: M22520/2-01
 - Positioner for use with crimp frame: Glenair part number 809-005
 - Insertion/extraction tool: Glenair part number 809-088
4. This connector, plug mates with all push/pull high density receptacle connectors with same polarization and opposite contact gender (804-001, 804-002, 804-113)
5. Red stripe indicator for alignment during mating
6. Connector releases from 0° to 15°, 15° release force will vary

Table I: Keyway Positions



Key Position	Key Rotation	
	A°	B°
A	150°	210°
B	75°	210°
C	95°	230°
D	140°	275°
E	75°	275°
F	95°	210°

SERIES 804 QDC PUSH-PULL

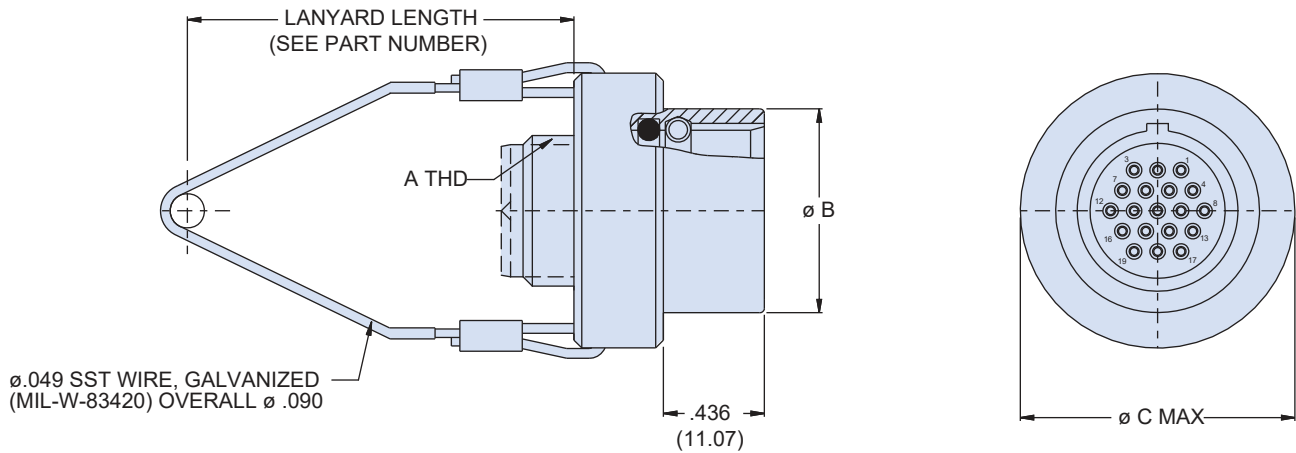


SERIES 804 QDC PUSH-PULL
Mighty Mouse Connectors and Cables



Lanyard-Release Crimp Removable Contact
Receptacle with Accessory Threads

QUICK RELEASE LANYARD RECEPTACLE - SHELL STYLE 01

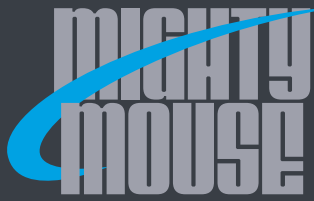


Dimensions			
Shell Size	A Thread	ø B	ø C MAX
5	.250-32 UNEF	0.450 (11.43)	0.812 (20.62)
6	.3125-32 UNEF	0.480 (12.19)	0.875 (22.23)
7	.4375-28 UNEF	0.580 (14.73)	0.938 (23.83)
8	.500-28 UNEF	0.600 (15.24)	1.000 (25.40)
9	.5265-24 UNEF	0.690 (17.53)	1.062 (26.97)
10	.6250-24 UNEF	0.735 (18.67)	1.125 (28.58)
11	.6875-24 UNEF	0.788 (20.02)	1.188 (30.18)
12	.6875-24 UNEF	0.880 (22.35)	1.250 (31.75)
14	.9375-20 UNEF	0.973 (24.71)	1.375 (34.92)

Material and Finish

- Shell: aluminum alloy or CRES / see how to order table
- Insulator: high grade rigid dielectric / N.A.
- Interfacial seal, grommet seal: fluorosilicone / N.A.
- Contact: copper alloy / gold plate per ASTM B 488, Type II, Code C, Class 1.25, over suitable underplate

SERIES 804 QDC PUSH-PULL



SERIES 804 QDC PUSH-PULL Mighty Mouse Connectors and Cables



Front or Rear Panel Mount Receptacles with PC Tails or Solder Cups



Panel Mount Receptacles

Quick Disconnect Connectors (QDC) feature factory-installed non-removable contacts. Choose solder cup or PC Tail terminals. Available in front or rear panel mount versions. Specify **804-005** connectors for applications where open face water immersion is not a requirement. For MIL-STD-810 Method 512G immersion requirements, specify **804-020** watertight connectors. These 804-020 connectors are specially sealed ("MOD-518") and are 100% tested to meet 1 X 10⁻⁴ ccHe/second @ 1 atmosphere.

How To Order	
Sample Part Number	804-005 -07 NF 9-4 E A
Series	804-005 = Solder Cup or PCB Receptacle with Standard Potting 804-020 = Solder Cup or PCB Receptacle with Special "MOD-518" Sealing for Open Face (Unmated) Water Immersion Requirements. 100% Leak Tested.
Shell Style (See Table I)	-00 = Jam-Nut, Front Panel Mount -07 = Jam-Nut, Rear Panel Mount
Shell Material and Finish	C = Aluminum / Black Anodize (Non-Conductive) M = Aluminum / Electroless Nickel MT = Aluminum / Nickel-PTFE NF = Aluminum / Cadmium with Olive Drab Chromate ZNU = Aluminum / Zinc-Nickel with Black Chromate Z1 = Stainless Steel / Passivated
Shell Size - Insert Arrangement	See Contact Arrangements Page H-6
Contact Type	P = Pin, PC Tail E = Pin, Solder Cup S = Socket, PC Tail F = Socket, Solder Cup
Polarization (See Table II)	Omit = Single Master Key A = Normal B = Pos. B C = Pos. C D = Pos. D E = Pos. E F = Pos. F

Table I: Shell Style

-00 Jam-Nut, Front Panel Mount	-07 Jam-Nut, Rear Panel Mount

Table II: Keyway Positions

	Pos.	A°	B°
	A	150°	210°
	B	75°	210°
	C	95°	230°
	D	140°	275°
	E	75°	275°
	F	95°	210°

NOTES

1. Contacts are nonremovable
2. Receptacle connector mates with all push/pull high density plug connectors with same polarization and opposite contact gender
3. See page H-9 for recommended panel cut-outs
4. Hermeticity of 804-020 is rated at a helium leak rate of 10⁻⁴ ccHe/sec @ 1 atm

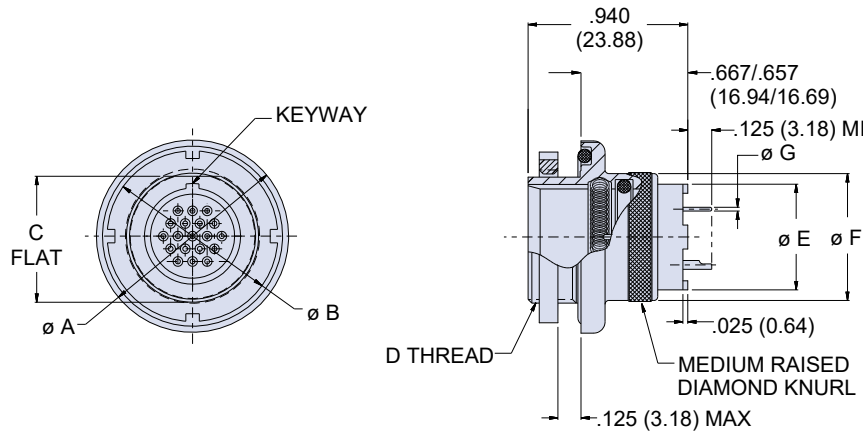


SERIES 804 QDC PUSH-PULL Mighty Mouse Connectors and Cables



Front or Rear Panel Mount Receptacles with PC Tails or Solder Cups

JAM-NUT, REAR PANEL MOUNT RECEPTACLE - STYLE 07

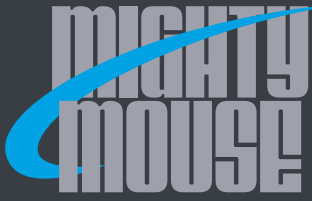


Dimensions							
Shell Size	ø A	ø B	C Flat	D Threads	ø E	ø F	ø G Tail Dia.
5	.730 (18.54)	.562 (14.27)	.415 (10.54)	.4375-32 UN-2A	.244 (6.20)	.435 (11.05)	#23 .018/.022 (0.46/0.56)
6	.730 (18.54)	.625 (15.88)	.467 (11.86)	.5000-32 UN-2A	.330 (8.38)	.483 (12.27)	
7	.910 (23.11)	.750 (19.05)	.594 (15.09)	.6250-28 UN-2A	.432 (10.97)	.570 (14.48)	
8	.955 (24.26)	.750 (19.05)	.594 (15.09)	.6250-28 UN-2A	.493 (12.52)	.593 (15.06)	#20 .024/.028 (0.61/0.71)
9	1.000 (25.40)	.812 (20.62)	.655 (16.64)	.6875-28 UN-2A	.551 (14.00)	.685 (17.40)	#16 .060/.064 (1.52/1.63)
10	1.085 (27.56)	.875 (22.23)	.721 (18.31)	.7500-28 UN-2A	.620 (15.75)	.725 (18.42)	
11	1.135 (28.83)	.938 (23.83)	.788 (20.02)	.8125-28 UN-2A	.662 (16.81)	.810 (20.57)	#12 .092/.096 (2.34/2.44)
12	1.190 (30.23)	1.000 (25.40)	.843 (21.41)	.8750-28 UN-2A	.703 (17.86)	.850 (21.59)	
14	1.325 (33.65)	1.125 (28.58)	.968 (24.59)	1.0000-28 UN-2A	.863 (21.92)	.973 (24.71)	

Material and Finish

- Shell, jam-nut: aluminum alloy or CRES / see how to order table
- Insulator: LCP / N.A.
- Interfacial seal, O-ring: fluorosilicone / N.A.
- Contact: copper alloy / gold plate per ASTM B 488, Type II, Code C, Class 1.25, over suitable underplate
- Detent spring: CRES / gold plated
- Potting compound: epoxy / N.A.

SERIES 804 QDC PUSH-PULL

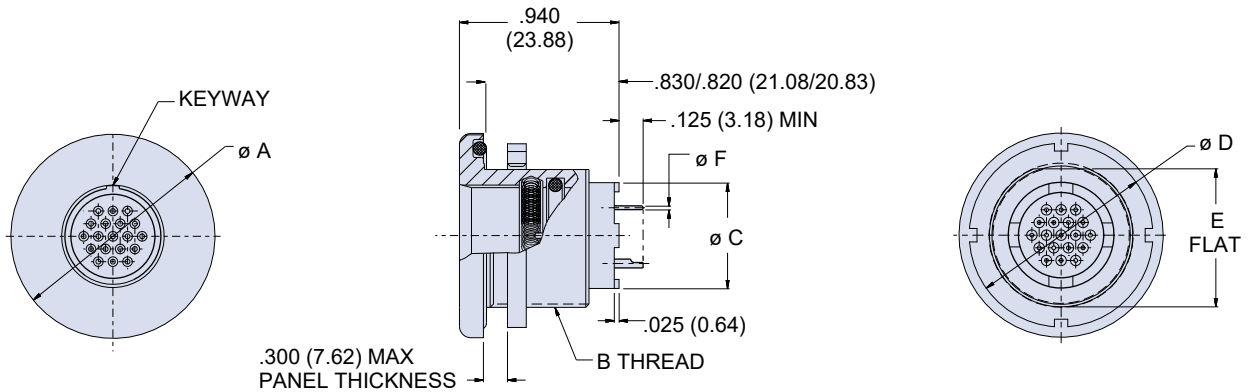


SERIES 804 QDC PUSH-PULL
Mighty Mouse Connectors and Cables



Front or Rear Panel Mount Receptacles with
PC Tails or Solder Cups

JAM-NUT, FRONT PANEL MOUNT RECEPTACLE - STYLE 00



Dimensions						
Shell Size	$\varnothing A$	B Threads	$\varnothing C$	$\varnothing D$	E Flat	$\varnothing F$ Tail Dia.
5	.830 (21.08)	.5000-32 UN-2A	.244 (6.20)	.625 (15.88)	.470 (11.94)	#23 .018/.022 (0.46/0.56)
6	.885 (22.48)	.5625-28 UN-2A	.330 (8.38)	.688 (17.48)	.530 (13.46)	
7	.995 (25.27)	.6875-28 UN-2A	.432 (10.97)	.812 (20.62)	.663 (16.84)	
8	.995 (25.27)	.6875-28 UN-2A	.493 (12.52)	.812 (20.62)	.663 (16.84)	#20 .024/.028 (0.61/0.71)
9	1.075 (27.30)	.7500-28 UN-2A	.551 (14.00)	.875 (22.23)	.720 (18.29)	#16 .060/.064 (1.52/1.63)
10	1.140 (28.96)	.8125-28 UN-2A	.620 (15.75)	.938 (23.83)	.788 (20.02)	
11	1.190 (30.23)	.8750-28 UN-2A	.662 (16.81)	1.000 (25.40)	.843 (21.41)	#12 .092/.096 (2.34/2.44)
12	1.340 (34.04)	1.0000-28 UN-2A	.703 (17.86)	1.125 (28.58)	.970 (24.64)	
14	1.390 (35.31)	1.0620-20 UN-2A	.863 (21.92)	1.162 (29.51)	1.020 (25.91)	

Material and Finish

- Shell, jam-nut: aluminum alloy or CRES / see how to order table
- Insulator: LCP / N.A.
- Interfacial seal, O-ring: fluorosilicone / N.A.
- Contact: copper alloy / gold plate per ASTM B 488, Type II, Code C, Class 1.25, over suitable underplate
- Detent spring: CRES / gold plated
- Potting compound: epoxy / N.A.



SERIES 804 QDC PUSH-PULL Mighty Mouse Connectors and Cables



PCB Receptacle with PC Tails or Solder Cup Contacts and Ground Pins



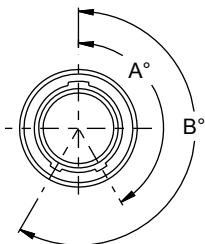
Series 804 PC Tail or Solder Cup Contact Receptacle with Ground Pins

Connector features copper alloy, gold plated PC tails or solder cup contacts. Ground pins are pressed into the shell body to provide a direct grounding path from the connector shell to the PCB board creating a common ground path for the connector, the panel it is mounted against, and printed circuit board. "Push-Pull" quick-disconnect canted coil spring securely retains mating plug connector and provides low shell-to-shell resistance for excellent EMI shielding. O-ring inside receptacle shell provides water-tight seal when mated. Two shell styles available — rear panel mount jam-nut or front panel mount jam-nut available. PC tail contacts for attachment to flex or rigid circuit boards. Choose solder cups for connections between devices, PCB's and discrete instruments

How To Order

Sample Part Number	804-032	-07	M	6-4	P	A
Series	804-032 = PCB Receptacle with PC Tail or Solder Cup Contacts					
Shell Style	-00 = Jam-Nut, Front Panel Mount -07 = Jam-Nut, Rear Panel Mount					
Material and Finish	C = Black Anodize M = Aluminum / Electroless Nickel NF = Aluminum / Cadmium with Olive Drab Chromate ZN = Aluminum / Zinc-Nickel Olive Drab over Electroless Nickel					
Shell Size - Insert Arrangement	See Contact Arrangements page E-7					
Contact Type	P = Pin, PC Tail E = Pin, Solder Cup S = Socket, PC Tail F = Socket, Solder Cup					
Polarization (See Table I)	A = Normal B = Pos. B C = Pos. C D = Pos. D E = Pos. E F = Pos. F Omit character for single keyway (non-polarized)					

Table I: Keyway Positions

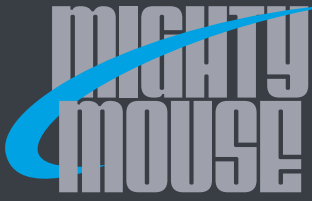


Position	A°	B°
A	150°	210°
B	75°	210°
C	95°	230°
D	140°	275°
E	75°	275°
F	95°	210°

NOTES

1. Contacts are non removable, the connector is back potted
2. This receptacle connector mates with all quick coupling high density plug connectors with same polarization and opposite contact gender (804-001, 804-002)
3. See page H-9 for panel cut-out dimensions
4. Material / finish:
 - Shell, jam-nut: aluminum alloy or CRES / N.A.
 - Insulator: high-grade rigid dielectric
 - Interfacial seal, O-ring: fluorosilicone
 - Contact, ground pins: copper alloy / gold plate per ASTM B 488, Type II, Code C, Class 1.25 (.00005 minimum thickness), over a suitable underplate
 - Potting compound: epoxy / N.A.

SERIES 804 QDC PUSH-PULL

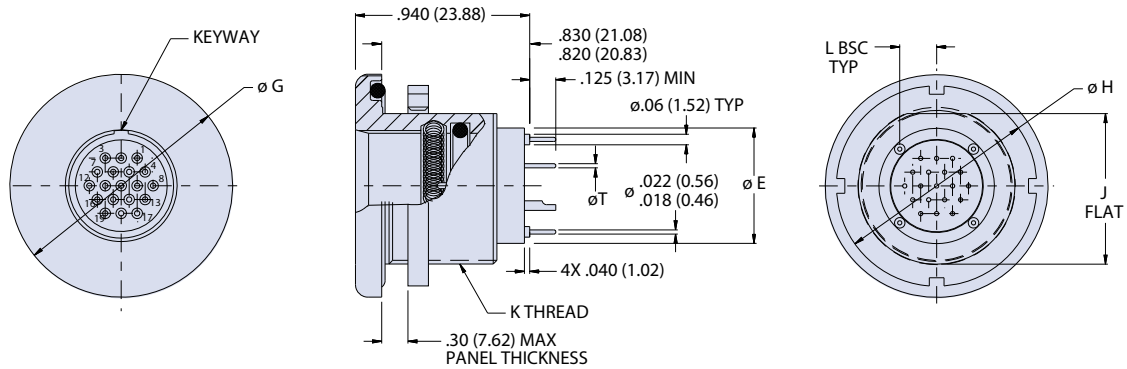


SERIES 804 QDC PUSH-PULL
Mighty Mouse Connectors and Cables



PCB Receptacle with PC Tails or Solder Cup
Contacts and Ground Pins

JAM-NUT, FRONT PANEL MOUNT RECEPTACLE - STYLE 00



Dimensions						
SHELL SIZE	ø E	ø G	ø H	J FLAT	K THREAD	L BSC
5	0.336 (8.53)	0.830 (21.08)	0.625 (15.88)	0.470 (11.94)	.5000-32 UN-2A	0.087 (2.21)
6	0.398 (10.11)	0.885 (22.48)	0.688 (17.48)	0.530 (13.46)	.5625-28 UN-2A	0.109 (2.77)
7	0.486 (12.34)	0.995 (25.27)	0.812 (20.62)	0.663 (16.84)	.6875-28 UN-2A	0.147 (3.73)
8	0.548 (13.92)	0.995 (25.27)	0.812 (20.62)	0.663 (16.84)	.6875-28 UN-2A	0.165 (4.19)
9	0.606 (15.39)	1.075 (27.30)	0.875 (22.23)	0.720 (18.29)	.7500-28 UN-2A	0.186 (4.72)
10	0.675 (17.15)	1.140 (28.96)	0.938 (23.83)	0.788 (20.02)	.8125-28 UN-2A	0.210 (5.33)
11	0.717 (18.21)	1.190 (30.23)	1.000 (25.40)	0.843 (21.41)	.8750-28 UN-2A	0.222 (5.64)
12	0.758 (19.25)	1.340 (34.04)	1.125 (28.58)	0.970 (24.64)	1.000-28 UN-2A	0.239 (6.07)
14	0.918 (23.32)	1.390 (35.31)	1.162 (29.51)	1.020 (25.91)	1.062-20 UN-2A	0.296 (7.52)

PC Tail Diameters	
Contact Size	ØT
#23	.022 (0.56)
	.018 (0.46)
#20	.028 (0.71)
	.024 (0.61)
#16	.064 (1.63)
	.060 (1.52)
#12	.096 (2.44)
	.092 (2.34)

SERIES 804 QDC PUSH-PULL

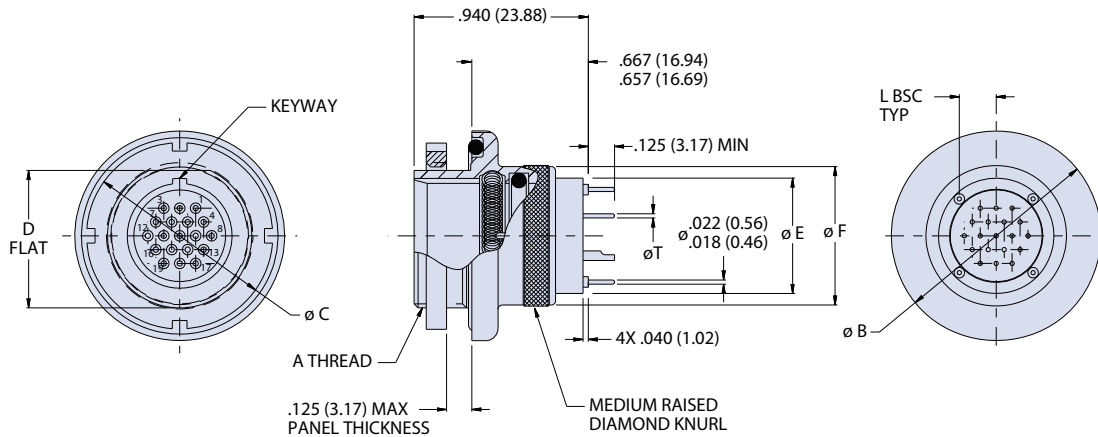


SERIES 804 QDC PUSH-PULL
Mighty Mouse Connectors and Cables



PCB Receptacle with PC Tails or Solder Cup
Contacts and Ground Pins

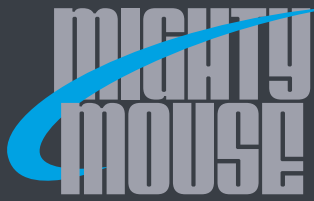
JAM-NUT, REAR PANEL MOUNT RECEPTACLE - STYLE 07



Dimensions							
SHELL SIZE	A THREAD	ø B	ø C	D FLAT	ø E	ø F	L BSC
5	.4375-32 UN-2A	0.730 (18.54)	0.562 (14.27)	0.415 (10.54)	0.336 (8.53)	0.435 (11.05)	0.087 (2.21)
6	.5000-32 UN-2A	0.730 (18.54)	0.625 (15.88)	0.467 (11.86)	0.398 (10.11)	0.483 (12.27)	0.109 (2.77)
7	.6250-28 UN-2A	0.910 (23.11)	0.750 (19.05)	0.594 (15.09)	0.486 (12.34)	0.570 (14.48)	0.147 (3.73)
8	.6250-28 UN-2A	0.955 (24.26)	0.750 (19.05)	0.594 (15.09)	0.548 (13.92)	0.593 (15.06)	0.165 (4.19)
9	.6875-28 UN-2A	1.000 (25.40)	0.812 (20.62)	0.655 (16.64)	0.606 (15.39)	0.685 (17.40)	0.186 (4.72)
10	.7500-28 UN-2A	1.085 (27.56)	0.875 (22.23)	0.721 (18.31)	0.675 (17.15)	0.725 (18.42)	0.210 (5.33)
11	.8125-28 UN-2A	1.135 (28.83)	0.938 (23.83)	0.788 (20.02)	0.717 (18.21)	0.810 (20.57)	0.222 (5.64)
12	.8750-28 UN-2A	1.190 (30.23)	1.000 (25.40)	0.843 (21.41)	0.758 (19.25)	0.880 (22.35)	0.239 (6.07)
14	1.0000-28 UN-2A	1.325 (33.65)	1.125 (28.58)	0.968 (24.59)	0.918 (23.32)	0.973 (24.71)	0.296 (7.52)

PC Tail Diameters	
Contact Size	ØT
#23	.022 (0.56)
	.018 (0.46)
#20	.028 (0.71)
	.024 (0.61)
#16	.064 (1.63)
	.060 (1.52)
#12	.096 (2.44)
	.092 (2.34)

SERIES 804 QDC PUSH-PULL



SERIES 804 QDC PUSH-PULL

Mighty Mouse Connectors and Cables



Light Weight, Hermetic Jam-Nut Mount Receptacles with PC Tails or Solder Cups

CODE REDTM



CODE RED Light Weight Hermetic Panel Mount Receptacles

Quick Disconnect Series 804 Hermetic Connectors feature aluminum shells with advanced encapsulant sealing technology and gold-plated copper contacts. Contacts are factory-installed and non-removable. Choose solder cup or PC Tail terminals. Front or rear jam-nut panel mount versions available. Select front panel mount to reduce snagging and lower profile, or choose rear panel mount style where space within a box enclosure is limited. 100% tested to meet 1 X 10⁻⁷ ccHe/sec @ 1 atm helium leak rate. Operating temperature range of -65°C to +200° C. Coil spring securely retains mating plug connector and provides low shell-to-shell resistance for excellent EMI shielding. Not for use in liquid environments.

How To Order	
Sample Part Number	804-140 -07 ZNU 6-4 P N
Series	804-140 = Hermetic Receptacle
Shell Style (See Table I)	-00 = Jam-Nut, Front Panel Mount -07 = Jam-Nut, Rear Panel Mount
Shell Material and Finish	M = Aluminum / Electroless Nickel ME = Aluminum / Electroless Nickel, Thick NF = Aluminum / Cadmium-Nickel / Olive Drab ZN = Aluminum / Zinc-Nickel / Olivew Drab ZNU / ZR = Aluminum / Zinc-Nickel / Black Chromate
Shell Size - Insert Arrangement	See Contact Arrangements Page H-6
Contact Type	E = Pin, Solder Cup P = Pin, PC Tail F = Socket, Solder Cup S = Socket, PC Tail
Polarization (See Table II)	Omit = Single Master Key A = Normal B = Pos. B C = Pos. C D = Pos. D E = Pos. E F = Pos. F

NOTES

- Red Stripe indicator for alignment during mating
- Contacts are non removable
- Receptacle connector mates with all push/pull high density plug connectors with same polarization and opposite contact gender, 804-001, 804-002, 804-009, 804-006, and 804-080.
- See page H-9 for recommended panel cut-outs
- Performances:
 - temperature range:-65°C to +200°C
 - Hemeticity: -1 x 10⁻⁷ cc He/sec @ 1 ATM differential
 - DWM: 750 VAC @ seal level
 - IR: 5000 megohms @ 500 VDC minimum, room temperature
 - Connector shall not be used in liquid environment

Table I: Shell Style	
-00 Jam-Nut, Front Panel Mount	-07 Jam-Nut, Rear Panel Mount

Table II: Keyway Positions		
	Pos.	A° B°
	A	150° 210°
	B	75° 210°
	C	95° 230°
	D	140° 275°
	E	75° 210°
	F	95° 210°

SERIES 804 QDC PUSH-PULL

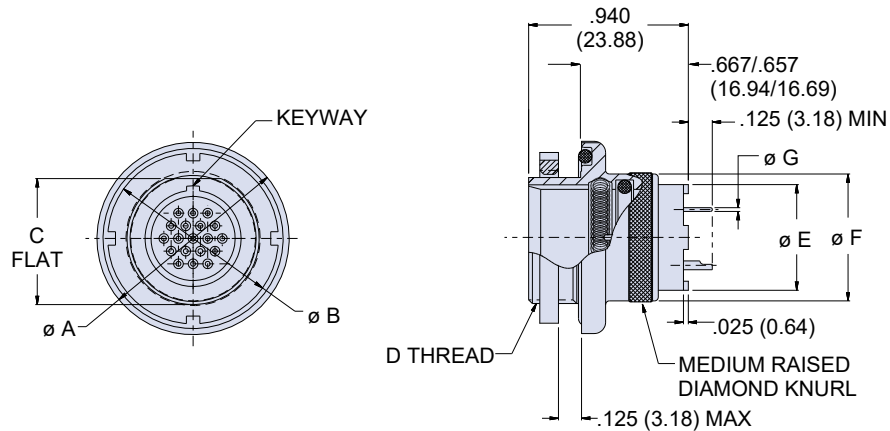


SERIES 804 QDC PUSH-PULL Mighty Mouse Connectors and Cables



Light Weight, Hermetic Jam-Nut Mount Receptacles with PC Tails or Solder Cups

JAM-NUT, REAR PANEL MOUNT RECEPTACLE - SHELL STYLE 07

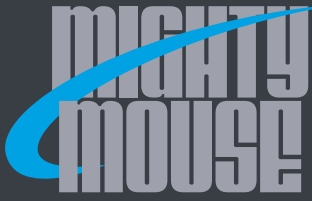


Dimensions							
Shell Size	Ø A	Ø B	C Flat	D Threads	Ø E	Ø F	Ø G Tail Dia.
5	.790 (20.07)	.562 (14.27)	.415 (10.54)	.4375-32 UN-2A	.250 (6.35)	.450 (11.43)	#23 .018/.022 (0.46/0.56)
6	.830 (21.08)	.625 (15.88)	.467 (11.86)	.5000-32 UN-2A	.330	.520 (13.21)	
7	.910 (23.11)	.750 (19.05)	.594 (15.09)	.6250-28 UN-2A	.432 (10.97)	.580 (14.73)	
8	.955 (24.26)	.750 (19.05)	.594 (15.09)	.6250-28 UN-2A	.432 (10.97)	.580 (14.73)	#20 .024/.028 (0.61/0.71)
9	1.000 (25.40)	.812 (20.62)	.655 (16.64)	.6875-28 UN-2A	.551 (14.00)	.695 (17.65)	
10	1.085 (27.56)	.875 (22.23)	.721 (18.31)	.7500-28 UN-2A	.620 (15.75)	.735 (18.67)	#16 .060/.064 (1.52/1.63)
11	1.135 (28.83)	.938 (23.83)	.790 (20.07)	.8125-28 UN-2A	.662 (16.81)	.810 (20.57)	
12	1.190 (30.23)	1.000 (25.40)	.843 (21.41)	.8750-28 UN-2A	.703 (17.86)	.880 (22.35)	#12 .092/.096 (2.34/2.44)
14	1.325 (33.65)	1.125 (28.58)	.968 (24.59)	1.0000-28 UN-2A	.863 (21.92)	1.010 (25.65)	

Material and Finish

- Shell, jam-nut: see how to order table
- Insulator: high grade rigid dielectric / N.A.
- Interfacial seal and O-ring: fluorosilicone / N.A.
- Contact: copper alloy / gold plate per ASTM B 488, Type II, Code C, Class 1.25, over suitable underplate
- Sealing compound: potting encapsulant

SERIES 804 QDC PUSH-PULL



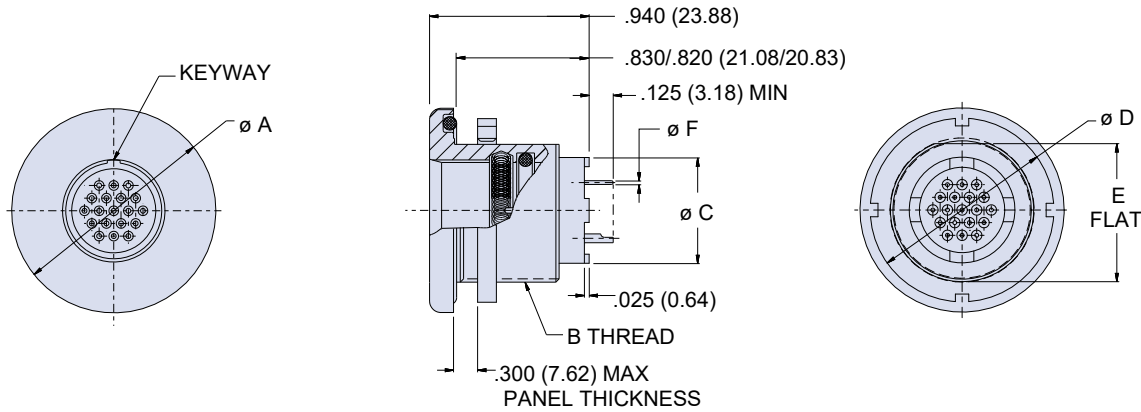
SERIES 804 QDC PUSH-PULL

Mighty Mouse Connectors and Cables



Light Weight, Hermetic Jam-Nut Mount
Receptacles with PC Tails or Solder Cups

JAM-NUT, FRONT PANEL MOUNT RECEPTACLE- SHELL STYLE 00



Dimensions						
Shell Size	Ø A	B Threads	Ø C	Ø D	E Flat	Ø F Tail Dia.
5	.830 (21.08)	.5000-32 UN-2A	.250	.625 (15.88)	.470 (11.94)	#23 .018/.022 (0.46/0.56)
6	.885 (22.48)	.5625-28 UN-2A	.330	.688 (17.48)	.530 (13.46)	
7	.995 (25.27)	.6875-28 UN-2A	.432 (10.97)	.812 (20.62)	.663 (16.84)	
8	.995 (25.27)	.6875-28 UN-2A	.432 (10.97)	.812 (20.62)	.663 (16.84)	#20 .024/.028 (0.61/0.71)
9	1.075 (27.30)	.7500-28 UN-2A	.551 (14.00)	.875 (22.23)	.720 (18.29)	#16 .060/.064 (1.52/1.63)
10	1.140 (28.96)	.8125-28 UN-2A	.620 (15.75)	.938 (23.83)	.788 (20.02)	
11	1.190 (30.23)	.8750-28 UN-2A	.662 (16.81)	1.000 (25.40)	.843 (21.41)	#12 .092/.096 (2.34/2.44)
12	1.340 (34.04)	1.0000-28 UN-2A	.703 (17.86)	1.125 (28.58)	.970 (24.64)	
14	1.390 (35.31)	1.0625-20 UN-2A	.863 (21.92)	1.162 (29.51)	1.020 (25.91)	

Material and Finish

- Shell, jam-nut: see how to order table
- Insulator: high grade rigid dielectric / N.A.
- Interfacial seal and O-ring: fluorosilicone / N.A.
- Contact: copper alloy / gold plate per ASTM B 488, Type II, Code C, Class 1.25, over suitable underplate
- Sealing compound: potting encapsulant

SERIES 804 QDC PUSH-PULL



SERIES 804 QDC PUSH-PULL Mighty Mouse Connectors and Cables



Glass-to-Metal Seal Hermetic Jam-Nut Mount Receptacles with PC Tails or Solder Cups



Series 804 Glass-Seal Hermetic Receptacles

Quick disconnect connectors (QDC) feature stainless steel shells, fused vitreous glass insulators and gold-plated Alloy 52 iron alloy contacts.

Hermeticity rating

100% tested to meet 1×10^{-7} ccHe/sec @ 1 atm helium leak rate.

Two Shell Styles are available:

Style 00 for front panel mounting

Style 07 for rear panel mounting.

"Push-Pull" Quick-Disconnect

Canted coil spring securely retains mating plug connector and provides low shell-to-shell resistance for excellent EMI shielding. O-ring inside receptacle shell provides water-tight seal when mated.

How To Order

Sample Part Number	804-006	-07	Z1	9-19	P	A
Series	804-006 = Hermetic Receptacle					
Shell Style (See Table I)	-00 = Jam-Nut, Front Panel Mount -07 = Jam-Nut, Rear Panel Mount					
Shell Material and Finish	Z1 = Stainless Steel / Passivated ZL = Stainless Steel/Nickel Plated					
Shell Size - Insert Arrangement	See Contact Arrangements Page H-6					
Contact Type	P = Pin, Solder Cup C = Pin, PC Tail S = Socket, Solder Cup D = Socket, PC Tail					
Polarization (See Table II)	Omit = Single Master Key A = Normal B = Pos. B C = Pos. C D = Pos. D E = Pos. E F = Pos. F					

Table I: Shell Style

-00 Jam-Nut, Front Panel Mount	-07 Jam-Nut, Rear Panel Mount

Table II: Keyway Positions

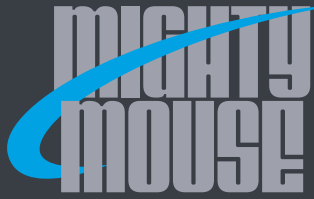
	Pos.	A°	B°
	A	150°	210°
	B	75°	210°
	C	95°	230°
	D	140°	275°
	E	75°	210°
	F	95°	210°

NOTES

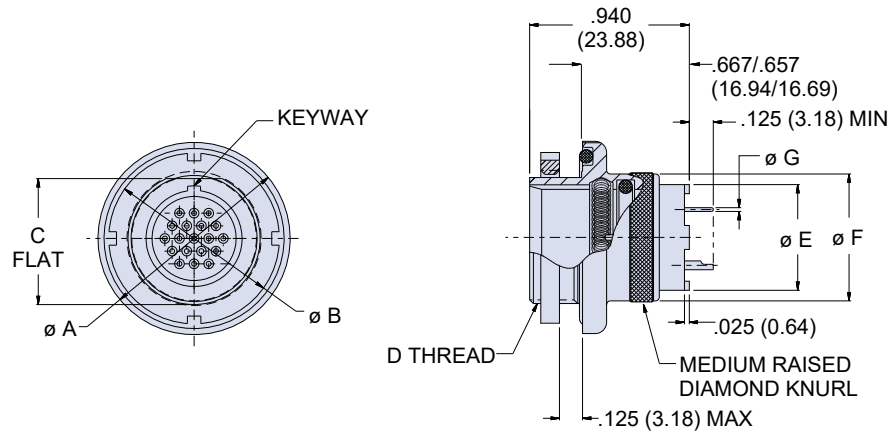
1. Contacts are non removable
2. Receptacle connector mates with all push/pull high density plug connectors with same polarization and opposite contact gender
3. See page H-9 for recommended panel cut-outs
4. Hermeticity rating of 1×10^{-7} cc/sec

DWV Rating

Contact Sizes	Test Voltage
23	750 Vac
20 HD	1000 Vac
16, 12, 8	1800 Vac



JAM-NUT, REAR PANEL MOUNT RECEPTACLE - SHELL STYLE 07



Dimensions							
Shell Size	ø A	ø B	C Flat	D Threads	ø E	ø F	ø G Tail Dia.
5	.790 (20.07)	.562 (14.27)	.415 (10.54)	.4375-32 UN-2A	.244 (6.20)	.450 (11.43)	#23 .018/.022 (0.46/0.56)
6	.830 (21.08)	.625 (15.88)	.467 (11.86)	.5000-32 UN-2A	.336 (8.53)	.520 (13.21)	
7	.910 (23.11)	.750 (19.05)	.594 (15.09)	.6250-28 UN-2A	.432 (10.97)	.580 (14.73)	
8	.955 (24.26)	.750 (19.05)	.594 (15.09)	.6250-28 UN-2A	.493 (12.52)	.603 (15.32)	#20 .024/.028 (0.61/0.71)
9	1.000 (25.40)	.812 (20.62)	.655 (16.64)	.6875-28 UN-2A	.551 (14.00)	.695 (17.65)	
10	1.085 (27.56)	.875 (22.23)	.721 (18.31)	.7500-28 UN-2A	.620 (15.75)	.735 (18.67)	#16 .060/.064 (1.52/1.63)
11	1.135 (28.83)	.938 (23.83)	.788 (20.02)	.8125-28 UN-2A	.662 (16.81)	.810 (20.57)	
12	1.180 (29.97)	1.000 (25.40)	.843 (21.41)	.8750-28 UN-2A	.703 (17.86)	.880 (22.35)	#12 .092/.096 (2.34/2.44)
14	1.325 (33.65)	1.125 (28.58)	.968 (24.59)	1.0000-28 UN-2A	.863 (21.92)	1.010 (25.65)	

Material and Finish

- Shell, jam-nut: CRES / see how to order table
- Insulator: LCP / N.A.
- Interfacial seal, O-ring: fluorosilicone / N.A.
- Contact: copper alloy / gold plate per ASTM B 488, Type II, Code C, Class 1.25, over suitable underplate
- Potting compound: epoxy / N.A.

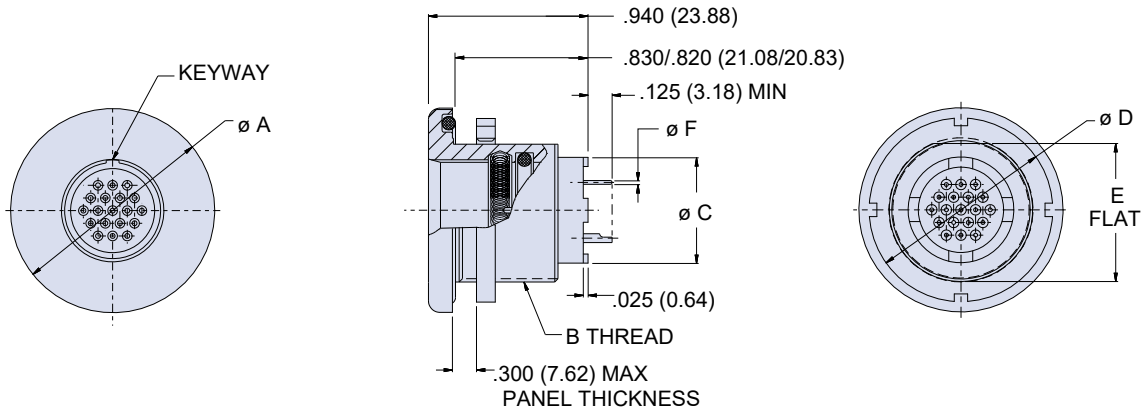


SERIES 804 QDC PUSH-PULL
Mighty Mouse Connectors and Cables



Glass-to-Metal Seal Hermetic Jam-Nut Mount
Receptacles with PC Tails or Solder Cups

JAM-NUT, FRONT PANEL MOUNT RECEPTACLE- SHELL STYLE 00

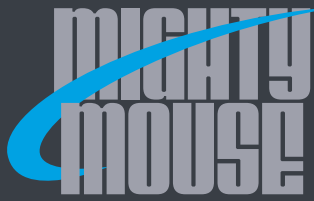


Dimensions						
Shell Size	Ø A	B Threads	Ø C	Ø D	E Flat	Ø F Tail Dia.
5	.830 (21.08)	.5000-32 UN-2A	.244 (6.20)	.625 (15.88)	.470 (11.94)	#23 .018/.022 (0.46/0.56)
6	.885 (22.48)	.5625-28 UN-2A	.336 (8.53)	.688 (17.48)	.530 (13.46)	
7	.995 (25.27)	.6875-28 UN-2A	.432 (10.97)	.812 (20.62)	.663 (16.84)	
8	.995 (25.27)	.6875-28 UN-2A	.493 (12.52)	.812 (20.62)	.663 (16.84)	#20 .024/.028 (0.61/0.71)
9	1.075 (27.30)	.7500-28 UN-2A	.551 (14.00)	.875 (22.23)	.720 (18.29)	
10	1.140 (28.96)	.8125-28 UN-2A	.620 (15.75)	.938 (23.83)	.788 (20.02)	#16 .060/.064 (1.52/1.63)
11	1.190 (30.23)	.8750-28 UN-2A	.662 (16.81)	1.000 (25.40)	.843 (21.41)	
12	1.340 (34.04)	1.0000-28 UN-2A	.703 (17.86)	1.125 (28.58)	.970 (24.64)	#12 .092/.096 (2.34/2.44)
14	1.390 (35.31)	1.0625-20 UN-2A	.863 (21.92)	1.162 (29.51)	1.020 (25.91)	

Material and Finish

- Shell, jam-nut: aluminum alloy or CRES/ see how to order table
- Insulator: LCP/ N.A.
- Interfacial seal, O-ring: fluorosilicone/ N.A.
- Contact: copper alloy/ gold plate per ASTM B 488, Type II, Code C, Class 1.25, over suitable underplate
- Potting compound: epoxy/ N.A.

SERIES 804 QDC PUSH-PULL



SERIES 804 QDC PUSH-PULL

Mighty Mouse Connectors and Cables



Jam-Nut Mount Bulkhead Feed-Thru Connector



Series 804 Bulkhead Feed-Thru Receptacle

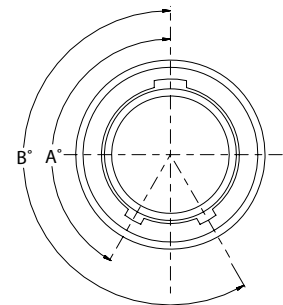
This series 804 design provides a separable connection on both sides of the mounting panel. Jam-nut receptacle features three contact options: pin/socket (preferred version), pin/pin, or socket/socket. Contacts are factory installed and are not removable. Available in aluminum or stainless steel. Gold-plated copper alloy contacts and ground spring, high-grade rigid dielectric insulator, fluorosilicone seals. Note: use caution when specifying pin/pin or socket/socket versions. the arrangement pattern is mirrored about the vertical axis.

How To Order	
Sample Part Number	804-067 -07 M 6-7 P P A
Series	804-067 = Bulkhead Feed-Thru Receptacle
Shell Style	-07 = Jam-Nut, Rear Panel Mount
Shell Material and Finish	C = Aluminum / Black Anodize (Non-Conductive) M = Aluminum / Electroless Nickel MT = Aluminum / Nickel-PTFE NF = Aluminum / Cadmium with Olive Drab Chromate ZN = Aluminum / Zinc-Nickel with Olive Drab Chromate ZNU = Aluminum / Zinc-Nickel with Black Chromate Z1 = Stainless Steel / Passivated
Shell Size - Insert Arrangement	Available in Shell Sizes 5 thru 14. See Contact Arrangements Page H-6
Contact Type Jam-Nut Side	P = Pin S = Socket Coax contacts are not available.
Contact Type Other Side	P = Pin S = Socket
Polarization (See Table I)	A = Normal B = Pos. B C = Pos. C D = Pos. D E = Pos. E F = Pos. F

NOTES

1. Contacts are non removable
2. Receptacle connector mates with all push/pull high density plug connectors with same polarization and opposite contact gender
3. Connectors with Pin-Pin and Socket-Socket contact styles will cause the arrangement pattern to be mirrored about the vertical centerline
4. See page H-9 for recommended panel cut-outs

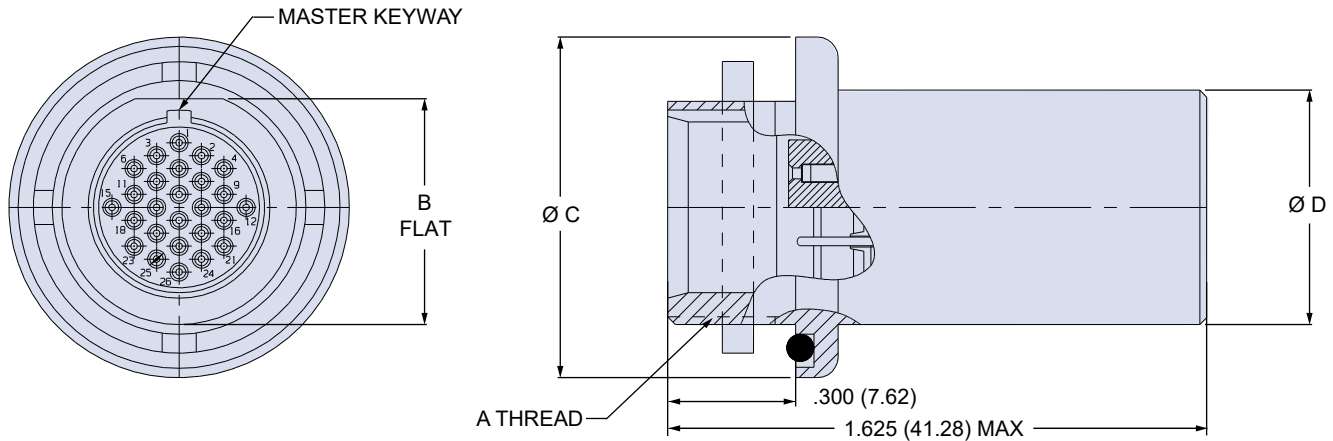
Table I: Keyway Positions		
Key Position	Key Rotation	
	A°	B°
A	150°	210°
B	75°	210°
C	95°	230°
D	140°	275°
E	75°	275°
F	95°	210°



SERIES 804 QDC PUSH-PULL



JAM-NUT, REAR PANEL MOUNT BULKHEAD FEED-THRU - STYLE 07

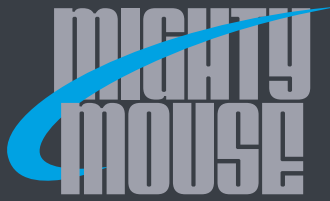


Dimensions				
Shell Size	A Thread	B Flat	Ø C	Ø D
5	.4375-32 UN-2A	.415 (10.54)	.730 (18.54)	.450 (11.43)
6	.5000-32 UN-2A	.467 (11.86)	.730 (18.54)	.480 (12.19)
7	.6250-28 UN-2A	.580 (14.73)	.900 (22.86)	.580 (14.73)
8	.6250-28 UN-2A	.580 (14.73)	.945 (24.00)	.603 (15.32)
9	.6875-28 UN-2A	.655 (16.64)	1.000 (25.40)	.695 (17.65)
10	.7500-28 UN-2A	.721 (18.31)	1.075 (27.30)	.735 (18.67)
11	.8750-28 UN-2A	.790 (20.07)	1.140 (28.96)	.810 (20.57)
12	8125-28 UN-2A	.843 (21.41)	1.190 (30.23)	.880 (22.35)
14	8750-28 UN-2A	.968 (24.59)	1.312 (33.32)	1.010 (25.65)

Material and Finish

- Shell, jam-nut: aluminum alloy or CRES / see how to order table
- Insulator: LCP / N.A.
- Interfacial seal, O-ring: fluorosilicone / N.A.
- Contact: copper alloy / gold plate per ASTM B 488, Type II, Code C, Class 1.25, over suitable underplate

SERIES 804 QDC PUSH-PULL



SERIES 804 QDC PUSH-PULL

Mighty Mouse Connectors and Cables



Quick Disconnect, Harsh Environment Overmolded Cordsets

Series 804 Harsh Environment Shielded Cordsets



Overmolded Cordset

High performance Mighty Mouse cordsets feature easy ordering and fast delivery. These fully shielded and watertight assemblies withstand abrasion, temperature extremes, and chemicals. Flexible overmolding provides rugged, watertight protection to wire and shield. Two styles are available: **Style 1** polyamide overmold and polyurethane cable jacket, and **Style 2** improved temperature range, high flexibility thermoplastic rubber overmold and cable jacket. Overmolded Mighty Mouse cordsets are suitable for military gear and other hostile environments where interconnect reliability and survivability is essential.

Product Features

- Single-ended or double-ended
- Rugged, watertight construction
- 100% electrically tested
- Flexible to -55°C. (Style 2)
- Stainless steel shield termination band
- Resistant to chemicals
- Withstands UV and ozone

High-Speed Cordsets

Controlled impedance twisted pair cordsets for Ethernet, USB, and other protocols are available. Please refer to Section M

Harsh Environment Cordset Selection Guide		
Property	Style 1 Polyurethane Jacket Polyamide Overmold	Style 2 Rubber Jacket Rubber Overmold
Cable jacket	Thermoplastic polyurethane (TPU), black	Thermoplastic elastomer (TPV), black
Overmold	Polyamide, black	Thermoplastic elastomer (TPV), black
Operating temperature	-30° C. to +105° C.	-55° C. to +135° C.
Flexibility	Good	Excellent
Water Resistance	Waterproof	Waterproof
Solvent Resistance, Cable Jacket	Excellent	Good
Solvent Resistance, Overmold	Fair ⁽¹⁾	Good
Weatherability	Excellent	Excellent
Abrasion Resistance	Excellent	Good
Flammability	Flame retardant UL 94 V-0	Flame retardant UL 94 HB
Low Smoke, Zero Halogen Cable Jacket	Yes	No

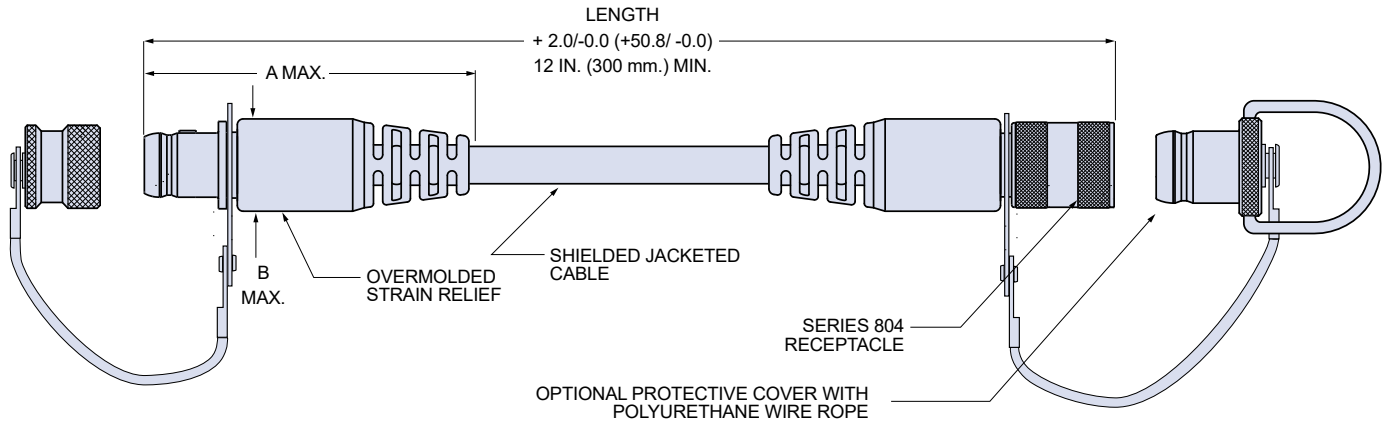
(1) Excellent resistance to most solvents, fuels, and oils; poor resistance to strong acids and bipolar solvents (alcohol)

Specifications	
Cable jacket	Style 1: thermoplastic polyurethane, black, low-smoke, zero-halogen Style 2: thermoplastic elastomer, black
Overmold	Style 1: polyamide Style 2: thermoplastic elastomer, black
Cable shield	Tin-coated copper braid, 90% minimum coverage
Conductors	Silver coated stranded wire, TFE insulated, per M22759/11
Shield Termination	Band-Master™ ATS stainless steel shield termination band
Current rating	#23 5 amps, #20 7.5 amps, #16 13 amps, #12 23 amps
Test voltage (DWV)	500 VAC
Insulation resistance	200 Megohms minimum
Shielding effectiveness	50 dB minimum from 100MHz to 1000MHz.

SERIES 804 QDC PUSH-PULL



SERIES 804 QDC PUSH-PULL
Mighty Mouse Connectors and Cables
 Quick Disconnect, Harsh Environment
 Overmolded Cordsets

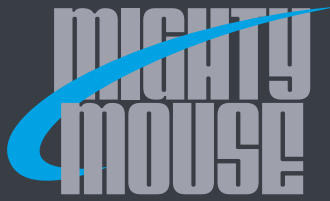


Dimensions		
Shell Size	A Max.	B Max.
5	2.46 (0.10)	0.50 (0.02)
6	2.56 (0.10)	0.56 (0.02)
7	2.64 (0.10)	0.63 (0.02)
8	2.70 (0.11)	0.68 (0.03)
9	2.90 (0.11)	0.73 (0.03)
10	2.95 (0.12)	0.81 (0.03)
11	3.0 (0.12)	0.90 (0.04)
12	3.10 (0.12)	0.92 (0.04)
14	3.20 (0.13)	1.05 (0.04)

NOTES

1. Double-ended cordsets are wired pin #1 to pin #1, #2 to #2, and so on.
2. Wires are silver-coated stranded copper with TFE insulation, 600V, in accordance with M22759/11.
3. Wire color is IAW MIL-STD-681 for cables containing 10 wires or less. For cable containing more than 10 wires, wire color is white.

SERIES 804 QDC PUSH-PULL



SERIES 804 QDC PUSH-PULL

Mighty Mouse Connectors and Cables



Quick Disconnect, Harsh Environment Overmolded Cordsets

Series 804 Cordsets with #23 Contacts								
Sample Part Number								
804-015	-A	C	2	M	7-10	P	A	-72
Series	End A Connector	End B Connector	Wire Size	Shell Material/ Finish	Insert Arr.	Protective Cover	Shell Key Pos.	Length
804-015 Style 1 Polyurethane Cable Jacket, Polyamide Overmold 804-062 Style 2 Rubber Cable Jacket and Overmold	-A Plug, with Male Pin Contacts -B Plug, with Female Socket Contacts -C Receptacle, with Male Pin Contacts -D Receptacle, with Female Socket Contacts	A Plug, with Male Pin Contacts B Plug, with Female Socket Contacts C Receptacle, with Male Pin Contacts D Receptacle, with Female Socket Contacts N No Connector (Single-Ended)	2 #22 AWG 4 #24 AWG	M Aluminum/ Electroless Nickel NF Aluminum/ Cadmium with OD Chromate ZNU Aluminum/ Zinc-Nickel with Black Chromate MT Aluminum/ Nickel-PTFE Z1 Stainless Steel/ Passivated	See Insert Arrgmt page H-5	P Metal Protective Covers Included N No Covers Supplied	Omit Single Master Key A Pos. A (Normal) B Pos. B C Pos. C D Pos. D E Pos. E F Pos. F See page H-9	Overall Length In Inches 12 Inch Min.

Series 804 Cordsets with #20HD Contacts								
Sample Part Number								
804-022	-A	C	0	M	8-28	N	A	-72
Series	End A Connector	End B Connector	Wire Size	Shell Material / Finish	Insert Arr.	Protective Cover	Shell Key Pos.	Length
804-022 Style 1 Polyurethane Cable Jacket, Polyamide Overmold 804-063 Style 2 Rubber Cable Jacket and Overmold	-A Plug, with Male Pin Contacts -B Plug, with Female Socket Contacts -C Receptacle, with Male Pin Contacts -D Receptacle, with Female Socket Contacts	A Plug, with Male Pin Contacts B Plug, with Female Socket Contacts C Receptacle, with Male Pin Contacts D Receptacle, with Female Socket Contacts N No Connector (Single-Ended)	0 #20 AWG 2 #22 AWG	M Aluminum/ Electroless Nickel NF Aluminum/ Cadmium with OD Chromate ZNU Aluminum/ Zinc-Nickel with Black Chromate MT Aluminum/ Nickel-PTFE Z1 Stainless Steel/ Passivated	See Insert Arrgmt page H-5	P Metal Protective Covers Included N No Covers Supplied	Omit Single Master Key A Pos. A (Normal) B Pos. B C Pos. C D Pos. D E Pos. E F Pos. F See page H-9	Overall Length In Inches 12 Inch Min.

SERIES 804 QDC PUSH-PULL



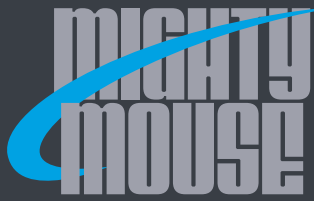
SERIES 804 QDC PUSH-PULL
Mighty Mouse Connectors and Cables
 Quick Disconnect, Harsh Environment
 Overmolded Cordsets



Series 804 Cordsets with #16 Contacts								
Sample Part Number								
804-018	-A	C	2	M		N	A	-72
Series	End A Connector	End B Connector	Wire Size	Shell Material/ Finish	Insert Arr.	Protective Cover	Shell Key Pos.	Length
804-018 Style 1 Polyurethane Cable Jacket, Polyamide Overmold 804-064 Style 2 Rubber Cable Jacket and Overmold	-A Plug, with Male Pin Contacts -B Plug, with Female Socket Contacts -C Receptacle, with Male Pin Contacts -D Receptacle, with Female Socket Contacts	A Plug, with Male Pin Contacts B Plug, with Female Socket Contacts C Receptacle, with Male Pin Contacts D Receptacle, with Female Socket Contacts N No Connector (Single-Ended)	6 #16 AWG 8 #18 AWG	M Aluminum/ Electroless Nickel NF Aluminum/ Cadmium with OD Chromate ZNU Aluminum/ Zinc-Nickel with Black Chromate MT Aluminum/ Nickel-PTFE Z1 Stainless Steel/ Passivated	See Insert Arrgmt page H-5	P Metal Protective Covers Included N No Covers Supplied	Omit Single Master Key A Pos. A (Normal) B Pos. B C Pos. C D Pos. D E Pos. E F Pos. F See page H-9	Overall Length In Inches 12 Inch Min.

Series 804 Cordsets with #12 Contacts								
Sample Part Number								
804-019	-A	C	0	M		N	A	-72
Series	End A Connector	End B Connector	Wire Size	Shell Material/ Finish	Insert Arr.	Protective Cover	Shell Key Pos.	Length
804-019 Style 1 Polyurethane Cable Jacket, Polyamide Overmold 804-065 Style 2 Rubber Cable Jacket and Overmold	-A Plug, with Male Pin Contacts -B Plug, with Female Socket Contacts -C Receptacle, with Male Pin Contacts -D Receptacle, with Female Socket Contacts	A Plug, with Male Pin Contacts B Plug, with Female Socket Contacts C Receptacle, with Male Pin Contacts D Receptacle, with Female Socket Contacts N No Connector (Single-Ended)	2 #12 AWG 4 #14 AWG	M Aluminum/ Electroless Nickel NF Aluminum/ Cadmium with OD Chromate ZNU Aluminum/ Zinc-Nickel with Black Chromate MT Aluminum/ Nickel-PTFE Z1 Stainless Steel/ Passivated	See Insert Arrgmt page H-5	P Metal Protective Covers Included N No Covers Supplied	Omit Single Master Key A Pos. A (Normal) B Pos. B C Pos. C D Pos. D E Pos. E F Pos. F See page H-9	Overall Length In Inches 12 Inch Min.

SERIES 804 QDC PUSH-PULL



SERIES 804 QDC PUSH-PULL

Mighty Mouse Connectors and Cables



Quick Disconnect, Flexible, Lightweight Phantom Cable Cordsets

Series 804 Ultraflexible “Phantom Cable” Cordsets



Phantom Cable cordsets feature high-flex rubber-insulated wires, lightweight shield and overbraided jackets for maximum flexibility, reduced size and minimum weight. Flexible rubber overmold provides strain relief and environmental sealing. EMI shield options include high-strength, ultralightweight **AmberStrand**® nickel-coated composite braid, **ArmorLite**™ or lightweight, high flexibility tinned copper braid. Braid outer jackets are available with **NOMEX**®, **HALAR**®, or PTFE-coated fiberglass.

Product Features

- Overbraided cable jacket for excellent flexibility
- Ultra-lightweight AmberStrand® EMI shield
- 100% electrically tested
- Flexible to -55°C.
- Stainless steel shield termination band

Application Note

Overbraided textile jackets are ideal for applications where flexibility and weight are important. However, water can penetrate through the jacket and cable shield. Dust and contamination can also become entrapped in the braid. Braided jackets are prone to fraying damage caused by snagging on velcro closures and MOLLE vests. Extruded cable jackets are recommended if debris entrapment, moisture ingress, or fraying damage are concerns.

Braid Shield Selection Guide

Property	AmberStrand®	ArmorLite®	Copper
Type	nickel-coated high-strength super fiber	Micro-filament nickel-coated stainless steel	Tin-coated copper
Weight/ft. (0.5 in. ID)	3.7 grams	4.4 grams	22.3 grams
Operating Temp ⁽¹⁾	-65° C to +200° C	-80° C to +260° C	-80° C to +150° C
Coverage	90% min.	90% min.	90% min.
Flexibility	Excellent	Excellent	Good
Cost Comparison	\$\$\$	\$\$	\$

(1) Rubber wires and rubber overmold are rated for -55° C to +135° C.

Jacket Selection Guide

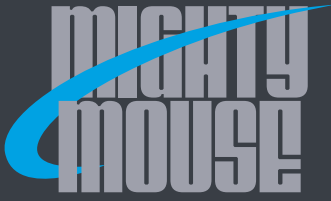
Property	NOMEX®	HALAR®	PTFE Coated Fiberglass
Color	Black or olive drab	Black	Tan
Operating Temp ⁽¹⁾	-55° C to +260° C	-73° C to +150° C	-75° C to +300° C
Chemical Resistance	Excellent	Excellent	Excellent
Flammability	Self-extinguishing, will not melt	Fire retardant UL VW-1	Self-extinguishing
Toxicity	Non-toxic	Non-toxic	Non-toxic
Flexibility	Excellent	Excellent	Excellent
Abrasion resistance	Excellent	Excellent	Excellent

(1) Rubber wires and rubber overmold are rated for -55° C to +135° C.

Specifications

Cable jacket	NOMEX®, HALAR® or PTFE-coated fiberglass
Temperature Range	-55° C to +135° C
Overmold	Thermoplastic elastomer, black
Cable shield	AmberStrand®, ArmorLite® or tinned copper, 90% minimum coverage
Conductors	Silver coated stranded wire, rubber insulation
Shield Termination	Band-Master™ ATS stainless steel shield termination band
Current rating	5 amps
Test voltage (DWV)	500 Vac
Insulation resistance	200 Megohms minimum
Shielding effectiveness	50 dB minimum from 100MHz to 1000MHz.

SERIES 804 QDC PUSH-PULL

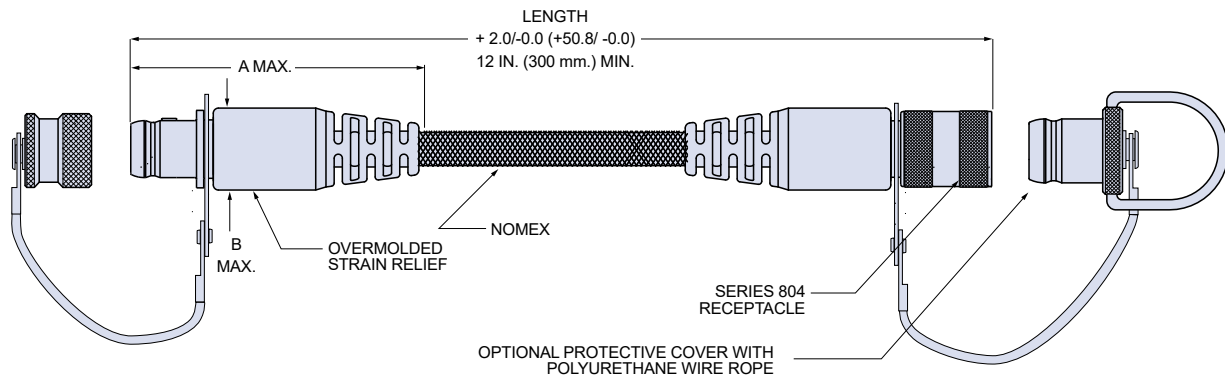


SERIES 804 QDC PUSH-PULL Mighty Mouse Connectors and Cables



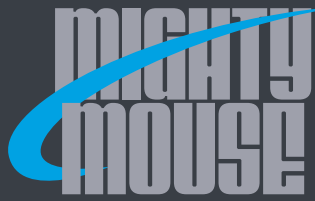
Quick Disconnect, Flexible, Lightweight Phantom Cable Cordsets

Series 804 "Phantom Cable" Cordsets size #12, #16, #20 and #23 Contacts										
Sample Part Number										
804-058	-B	N	2	Z1	5-3	N	A	-60	C	N
Series	End A Connector	End B Connector	Wire Size	Shell Material/ Finish	Insert Arr.	Protective Cover	Shell Key Pos.	Length	Shield Option	Jacket Option
Size #23 Contacts 804-058 Phantom Cable Cordset	-A Plug, with Male Pin Contacts	A Plug, with Male Pin Contacts	Size #23 Contacts 4 #24 AWG	M Aluminum/ Electroless Nickel	See Insert Argmnt page H-5	P Metal Protective Covers Included	Omit Single Master Key	Overall Length In Inches 12 Inch Min.	A AmberStrand	N Nomex, Black
	-B Plug, with Female Socket Contacts	B Plug, with Female Socket Contacts	6 #26 AWG	NF Aluminum/ Cadmium with OD Chromate		N No Covers Supplied	A Pos. A (Normal)		B ArmorLite	H Halar (Monofil)
			8 #28 AWG				B Pos. B		C Tin-Coated Copper	P PTFE-Glass (Natural/ Tan)
Size #20 HD Contacts 804-059 Phantom Cable Cordset	-C Receptacle with Male Pin Contacts	C Receptacle with Male Pin Contacts	Size #20 HD Contacts 0 #20 AWG	ZNU Aluminum/ Zinc-Nickel with Black Chromate			C Pos. C			
	-D Receptacle with Female Socket Contacts	D Receptacle with Female Socket Contacts	2 #22 AWG	MT Aluminum/ Nickel-PTFE			D Pos. D			
Size #16 Contacts 804-060 Phantom Cable Cordset		N No Connector (Single-Ended)	Size #16 Contacts 6 #16 AWG	Z1 Stainless Steel/ Passivated			E Pos. E			
			8 #18 AWG				F Pos. F	See page H-9		
Size #12 Contacts 804-061 Phantom Cable Cordset			Size #12 Contacts 2 #12 AWG							
			4 #14 AWG							



NOTES

1. Double-ended cordsets are wired pin #1 to pin #1, #2 to #2, and so on.
2. Wires are silver-coated stranded copper with TPE insulation, 600V, UL VW-1 rated.
3. Wire color is IAW MIL-STD-681 for cables containing 10 wires or less. For cable containing more than 10 wires, wire color is white.



SERIES 805 TRIPLE-START ACME THREAD
Mighty Mouse Connectors and Cables
 Product Selection Guide



Series 805

Connector features and benefits, weight savings comparisons, connector weights, contact arrangement layouts, panel cut-out dimensions, and key/keyway positions and polarizations.

Page J-3



Environmental Plug with Crimp Contacts

Plug connector is supplied with a full complement of contacts for termination to insulated wire. Use with Band-Master™ ATS stainless steel bands (ordered separately), or select accessory thread shell style for use with a variety of strain relief options.

Page J-12



Mighty Mouse Cobra™ Right Angle Low Profile Plug

Mighty Mouse Cobra connectors feature a low profile and integral backshell design, equipped with a removable rear cover and gasket for easy installation of the supplied crimp contacts. Available in shell sizes 8 thru 23.

Page J-14



Environmental Crimp Contact Receptacle

Jam-nut, square flange, and in-line version available. Integral band porch for use with Band-Master™ ATS stainless steel bands (ordered separately), or select accessory thread option for use with a variety of strain relief and backshell options.

Page J-17



Environmental or Watertight Receptacle with PC Tails or Solder Cups

Choose environmental or watertight version to meet MIL-STD 810 method 512G immersion requirements. Select PC tails for attachment to flexible or rigid circuits, or solder cup contacts for direct wire attachment. Integral .025 (.64) standoffs for solder washout. Backpotted and parylene compatible.

Page J-22



Jam-Nut Mount Receptacle with PC Tails or Solder Cup Contacts

Receptacle features pin or socket, gold plated copper alloy PC tail contacts, or solder cup contacts for direct wire attachment. Contacts are factory installed and non removable. Integrated .025 in standoff for board washout and 2-56 heli-coil thread. Backpotted and parylene compatible.

Page J-26



Receptacle with PC Tails, Solder Cups and Ground Pins

These panel mount connectors feature copper alloy, gold plated PC tail or solder cup contacts. Ground pins provide a grounding path from the connector to the PCB board. Jam-nut or square flange shell styles available. Contacts are non-removable and parylene compatible.

Page J-28



Mighty Mouse Jam-Nut Receptacle, Right Angle Header

Header connectors feature PC tail contacts, factory installed and non-removable. Integral .025 (.64) standoff for solder washout. Connectors are backpotted with epoxy for general purpose applications and parylene compatible.

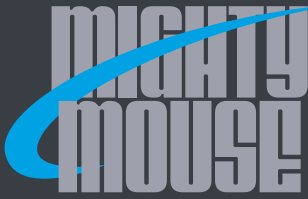
Page J-31



Code Red Light Weight, Hermetic Board Mount Receptacle

Lightweight encapsulant-sealed hermetic with .025 (0.64) integral standoff for board washout. Aluminum shells and gold plated copper alloy contacts for improved performance and weight savings. 100% tested to meet 1×10^{-7} ccHe/sec @ 1 atm helium leak rate. Contacts are non-removable. Connector is backpotted and parylene compatible.

Page J-36



SERIES 805 TRIPLE-START ACME THREAD
Mighty Mouse Connectors and Cables
 Product Selection Guide



Glass-Sealed Hermetic Board Mount Receptacle

Glass-to-metal seal PCB receptacle with .025 (0.64) integral standoff for board washout. Available in square flange, solder mount, weld mount, and jam-nut shell styles. 100% tested to meet 1×10^{-7} ccHe/sec @ 1 atm helium leak rate. Contacts are non-removable. Connector is backpotted and parylene compatible.

Page J-38



Glass-Sealed Hermetic Receptacle with Solder Cup or PC Tail Contacts

Glass-to-metal seal PCB connector with .025 (0.64) integral standoff for board washout. Available in square flange, solder mount, weld mount, and jam-nut shell styles. 100% tested to meet 1×10^{-7} ccHe/sec @ 1 atm helium leak rate. Contacts are non-removable. Connector is backpotted and parylene compatible.

Page J-41



Glass-Sealed Hermetic Receptacle with PC Tail Coax Contacts

Glass-to-metal seal hermetic connector features PC tail Coax contacts for attachment to flexible or rigid board. Integral .025 (.64) standoff for board washout. Available in square flange, solder mount, and jam-nut shell styles. 100% tested to meet 1×10^{-7} ccHe/sec @ 1 atm helium leak rate. Backpotted and parylene compatible.

Page J-44



Glass-Sealed Hermetic Receptacle, Threaded Stand-off Coax PC Tails

Glass-to-metal seal hermetic connector with gold plated size 12 or 16 nickel-iron alloy coax contacts. Threaded standoff for board washout and robust attachment to PC board. 100% tested to meet 1×10^{-7} ccHe/sec @ 1 atm helium leak rate. The stainless steel connector shell provides excellent corrosion protection. Backpotted and parylene compatible

Page J-47



Environmental Bulkhead Feedthrough Connector

Feedthrough connectors offer a separable connection on both sides of the mounting panel. Copper alloy gold-plated contacts available in pin-pin, pin-socket, or socket-socket styles will be mirrored about the vertical centerline when pin-pin or socket-socket styles are selected.

Page J-49

CODE RED™



Code Red Light Weight Hermetic Bulkhead Feedthrough Connector

Lightweight feedthru connectors offer a separable connection on both sides of the mounting panel. Innovative encapsulant allows for aluminum shells and gold plated copper alloy contact for improved performance and weight savings. 100% tested to meet 1×10^{-7} ccHe/sec @ 1 atm helium leak rate. Backpotted and parylene compatible.

Page J-51



Jam-Nut Hermetic Bulkhead Feedthrough Connector

Hermetic glass-to-metal feedthru connectors offer a separable connection on both sides of the mounting panel. Innovative encapsulant allows for aluminum shells and gold plated copper alloy contact for improved performance and weight savings. 100% tested to meet 1×10^{-7} ccHe/sec @ 1 atm helium leak rate. Backpotted and parylene compatible.

Page J-53



Sav-Con® Connector Saver

Protect expensive test equipment and cables with Glenair Sav-Con® connector savers. These plug/receptacle adapters feature non-removable contacts and a ratcheting coupling mechanism to prevent loosening under vibration.

Page J-55



Series 805 Mighty Mouse Cordsets

Choose overmolded or overbraided cordsets for your specific application. Overmolded sets are low smoke and offer excellent all-weather cable protection; overbraided sets are ultraflexible and available with Nomex®, Halar®, or PTFE-coated fiberglass.

Page J-57

SERIES 805 TRIPLE-START ACME THREAD



SERIES 805

Triple-Start Connectors

The Glenair Series 805 Connector Offers Outstanding EMI Protection and Vibration Resistance in a Miniaturized Package

The Series 805 connector was developed to provide several performance enhancements compared to other “Mighty Mouse” versions. A ratchet mechanism in the coupling nut prevents de-mating under severe vibration. EMI performance is improved with a serpentine ground spring on the plug barrel. This nickel-plated beryllium copper spring assures low shell-to-shell resistance. The Series 805, although larger than other Series 80 versions, still saves significant size and weight compared to MIL-DTL-38999 connectors with no compromise in performance. The fast mating, one revolution to full-mate triple-start stub ACME thread profile also contributes to rugged resistance to vibration, shock, and cross-mating in aerospace and other harsh application environments. Over 50 tooled insert arrangements are available with contact sizes ranging from size #23 to #8.



Outstanding EMI Shielding

Nickel-plated beryllium copper ground spring and metal-to-metal bottoming for excellent EMI performance.

Wide Contact Support

Crimp-contact signal, power, coax (RF), and high-speed twinax and quadax, sizes #23, #20, #20HD, #16, #12, and #8.

Environmentally Sealed

Meets MIL-STD-810 Method 512 immersion.

Anti-Decoupling

Ratcheting anti-decoupling mechanism prevents coupling nut backoff when subjected to high vibration.

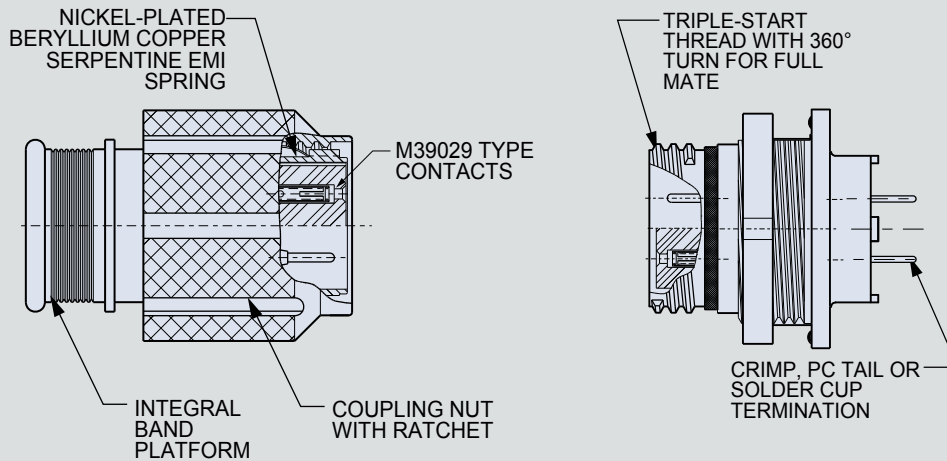


SERIES 805 TRIPLE-START ACME THREAD Mighty Mouse Connectors and Cables

Performance Specifications



CONNECTOR FEATURES



Size Comparison: Series 805 Versus D38999 Series III

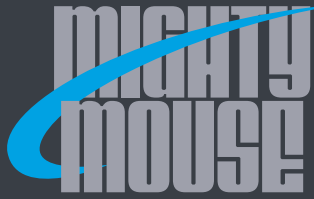
Layout	Number of Contacts	D38999 Layout	Number of Contacts	Maximum Plug Diameter			Maximum Jam-Nut Receptacle Diameter		
				Series 805	D38999	% Reduction	Series 805	D38999	% Reduction
8-7	7 #23	9-35	6 #20	.707 (17.96)	.859 (21.82)	17%	.775 (19.68)	1.201 (30.51)	35%
10-13	13 #23	11-35	13 #22D	.804 (20.42)	.969 (24.61)	18%	.895 (22.73)	1.386 (35.20)	35%
11-19	19 #23	13-35	19 #22D	.933 (23.70)	1.141 (28.98)	20%	.960 (24.38)	1.512 (38.40)	36%
12-26	26 #23	17-26	26 #20	.999 (25.37)	1.391 (35.33)	29%	1.075 (27.30)	1.764 (44.81)	39%
15-37	37 #23	15-35	37 #22D	1.113 (28.27)	1.266 (32.16)	13%	1.218 (30.94)	1.638 (41.61)	26%
18-55	55 #23	17-35	55 #22D	1.308 (33.22)	1.391 (35.33)	7%	1.404 (35.66)	1.764 (44.81)	20%
19-85	85 #23	21-35	85 #22D	1.328 (33.73)	1.625 (41.28)	19%	1.465 (37.21)	2.075 (52.71)	29%
23-130	130 #23	25-35	128 #22D	1.577 (40.06)	1.875 (47.63)	16%	1.720 (43.69)	2.323 (59.00)	26%

Materials and Finishes

Shells, Jam-Nuts	Aluminum alloy or stainless steel
Contacts	Copper alloy, 50 μinch gold plated
Insulators	High-grade rigid dielectric
Contact Retention Clip	Beryllium copper alloy
Seal, O-rings, Grommet	Fluorosilicone rubber
Spring	Nickel-plated beryllium copper
See Series 80 General Information for complete material and finish specs.	

Specifications

Current Rating	#23-5 A, #20HD-7.5 A, #16-13 A, #12-23 A
D.W.V.	#23-750 VAC, #20HD-1000 VAC #12 and #16-1800 VAC
I.R.	5000 megohms minimum
Operating Temperature	-65° C. to +175° C.
Shock	300 g.
Vibration	37 g.
Shielding Effectiveness	55 dB minimum low frequency from 100MHz to 1000MHz. and 65 dB minimum high frequency from 1 GHz to 10GHz.
Magnetic Permeability	2.0 μ maximum
Durability	500 mating cycles



SERIES 805 TRIPLE-START ACME THREAD
Mighty Mouse Connectors and Cables
Connector Weights



Series 805 Connector Weight In Grams					
Contact Arrangement	Cable Plug	Jam-Nut Recep		Sq. Flange	Sq. Flange Recep PCB
		Crimp	PCB	Recep Crimp	
8-23P	7.5	5.8	5.7	5.8	4.6
8-23S	8	6.4	6.2	6.4	5.1
8-4P	8.3	6.6	6.5	6.6	5.4
8-4S	8.8	7.2	7.0	7.2	5.9
8-6P	8.4	6.7	6.8	5.5	5.7
8-6S	8.9	7.3	7.3	5.9	6.2
8-7P	7.3	5.6	5.5	5.6	4.4
8-7S	7.7	6.1	5.9	6.1	4.8
9-1P	10.9	9.0	9.0	6.8	7.7
9-1S	11.4	9.6	9.6	7.4	8.3
9-25P	10.8	8.9	8.8	6.7	7.6
9-25S	11.3	9.6	9.4	7.4	8.1
9-10P	10.7	8.8	8.8	6.6	7.5
9-10S	11.6	9.7	9.7	7.5	8.4
10-2P	13.3	10.2	10.3	8.9	9.4
10-2S	14.1	11.0	11.1	9.7	10.1
10-28P	15.2	10.4	10.9	9.1	10
10-28S	16.4	11.5	11.7	10.2	10.7
10-13P	12.7	9.6	9.7	8.3	8.7
10-13S	13.4	10.3	10.5	9.0	9.5
10-200P	13.9	10.8	10.9	9.5	9.9
10-200S	14.7	11.7	11.8	10.3	10.8
11-4P	15.4	12.1	13.1	10.3	11.3
11-4S	16.4	13.1	14.1	11.3	12.3
11-210P	15.2	11.9	12.6	10.1	10.8
11-210S	16.4	13.1	13.8	11.3	12
11-19P	14.3	11.0	12.0	9.2	10.2
11-19S	15.4	12.1	13.1	10.3	11.3
11-200P	14.9	11.6	12.5	9.8	10.8
11-200S	16.0	12.7	13.6	10.9	11.9
11-201P	14.5	11.3	11.6	9.5	9.8
11-201S	15	12.4	12.7	10.6	10.9
12-2P	17.4	13.6	15.4	11.9	12.2
12-2S	18.7	14.9	16.9	13.2	13.7
12-5P	17.6	13.9	16.3	12.2	13.1
12-5S	19.0	15.3	17.7	13.6	14.5
12-26P	15.8	12.1	14.5	10.5	11.3
12-26S	17.4	13.6	16.1	12.0	12.9
12-200P	16.5	12.8	15.2	11.1	12.0
12-200S	17.9	14.2	16.6	12.5	13.4
12-201P	16.6	12.9	15.3	11.2	12.1
12-201S	18.0	14.3	16.7	12.7	13.5
12-202P	16.6	12.9	15.3	11.2	12.1
12-202S	18.2	14.4	16.8	12.8	13.6
13-31P	19.5	15.7	19.1	12.8	15.9
13-31S	21.8	18	20.8	14.4	17.6
15-2P	20.7	20.2	21.8	17.1	19.5
15-2S	22.3	21.9	23.4	18.7	21.1
15-3P	21.7	21.2	22.8	18.0	20.5
15-3S	23.4	23.0	24.5	19.8	22.2
15-7P	21.9	21.5	23.0	18.3	20.7
15-7S	24.5	24.1	25.6	20.9	23.3
15-220P	20.8	21	24.1	18.2	21.8
15-220S	23.8	23.4	25.9	21.3	23.6
15-37P	20.1	19.7	21.2	16.5	18.9
15-37S	23.0	22.6	24.1	19.4	21.8
15-200P	20.4	19.9	21.5	16.7	19.1

Series 805 Connector Weight In Grams					
Contact Arrangement	Cable Plug	Jam-Nut Recep		Sq. Flange	Sq. Flange Recep PCB
		Crimp	PCB	Recep Crimp	
15-200S	22.6	22.1	23.7	18.9	21.3
15-201P	20.7	20.2	21.8	17.1	19.5
15-201S	23.0	22.6	24.1	19.4	21.8
15-202P	20.8	20.3	22.4	17.2	20.9
15-202S	22.7	22.3	23.8	19.1	22.4
15-203P	21.1	20.6	23.7	17.5	21.4
15-203S	23	22.6	25.1	19.4	22.8
18-12P	30.7	32.3	30.9	36.8	29.8
18-12S	34.3	36.0	34.5	30.5	33.4
18-235P	29	31.9	32	26.4	31
18-235S	32.7	35.9	35.1	30.4	34
18-55P	27.3	28.9	27.5	23.4	26.4
18-55S	30.7	32.3	30.9	26.8	29.8
18-204P	29	30.6	30	25.1	28.9
18-204S	33	34.7	32.5	29.2	31.4
18-205P	29.3	30.9	30.5	25.4	29.4
18-205S	33.3	35	31.6	29.5	31.8
18-206P	29.5	31.1	30.6	25.6	29.5
18-206S	33.4	35.1	33.2	29.6	32.1
18-207P	30.3	31.9	31.5	26.4	30.4
18-207S	34.2	35.9	34.4	30.4	33.3
19-7P	27.9	30.0	33.1	25.1	33.0
19-7S	31.0	33.1	36.2	28.2	36.1
19-14P	32.9	35.0	38.1	30.0	38.0
19-14S	32.6	34.7	37.7	29.7	37.6
19-241P	32.8	29.5	33.6	29.9	33.5
19-241S	33.6	33.9	36.7	30.7	36.6
19-85P	26.6	28.7	31.8	23.8	31.7
19-85S	31.1	33.2	36.3	28.3	36.2
19-203P	25.8	27.9	31.6	23	30.5
19-203S	29.4	31.6	34	26.7	32.9
19-204P	26.4	28.5	32.6	23.6	40.2
19-204S	30.3	32.5	35.5	27.6	43.1
21-19P	46	46.9	42.1	32.3	42
21-19S	46.7	47.7	45.4	39.4	45.2
21-100P	43.7	44.6	41.5	35.5	36.8
21-100S	45.7	46.6	44.6	44.3	39.1
21-255P	45.8	46.7	41.8	37.6	37.1
21-255S	48	48.8	46	46.6	40.5
21-201P	48.4	49.3	42.2	40.2	37.5
21-201S	52.6	53.5	49.4	51.2	43.9
21-202P	54	54.9	46.2	45.8	41.5
21-202S	61	61.9	57.5	59.6	52.02
23-5P	49	51.7	48.3	45.5	47.8
23-5S	61.8	54.6	62.3	58.4	61.8
23-12P	40.2	42.9	44.4	36.7	43.9
23-12S	45.2	48.0	49.5	41.8	49.0
23-22P	42.7	45.4	47.0	39.3	46.4
23-22S	49.6	52.4	53.9	46.2	53.4
23-269P	39.3	43	44.9	35.8	44.4
23-269S	46.4	50.3	50	43	49.5
23-130P	37.8	40.6	42.1	34.4	41.6
23-130S	44.9	47.7	49.3	41.6	48.7
23-200P	46.6	49.3	47.9	43.1	47.4
23-200S	58.3	51.1	59.9	54.9	58.9

SERIES 805 TRIPLE-START ACME THREAD

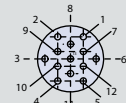
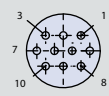


SERIES 805 TRIPLE-START ACME THREAD Mighty Mouse Connectors and Cables

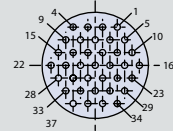
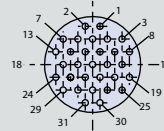
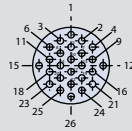
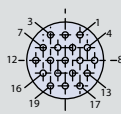


Contact Layouts, Mating Face of Pin Insert Shown

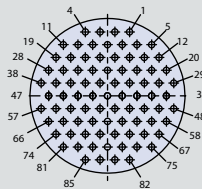
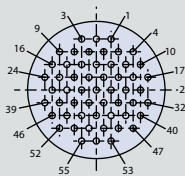
SIZE #23 SIGNAL CONTACTS, TESTED AT 750 VAC



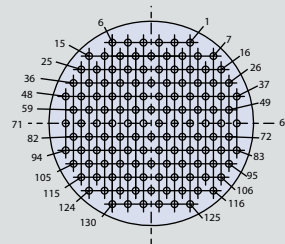
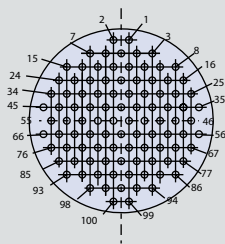
Insert Arrangement	8-4	8-6	8-7	9-10	10-13
No. of Contacts	4	6	7	10	13



Insert Arrangement	11-19	12-26	13-31	15-37
No. of Contacts	19	26	31	37

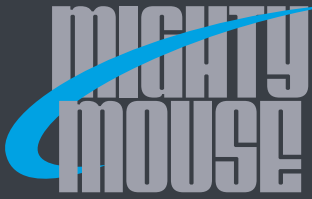


Insert Arrangement	18-55	19-85
No. of Contacts	55	85



Insert Arrangement	21-100	23-130
No. of Contacts	100	130

SERIES 805 TRIPLE-START ACME THREAD

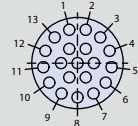
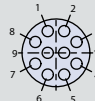


SERIES 805 TRIPLE-START ACME THREAD
Mighty Mouse Connectors and Cables

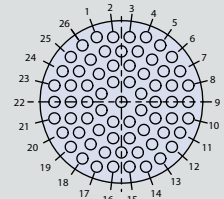
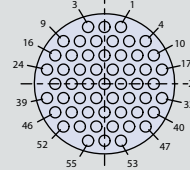
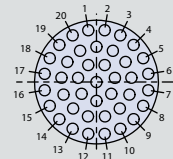
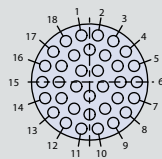


Contact Layouts, Mating Face of Pin Insert Shown

SIZE #20HD POWER CONTACTS, TESTED AT 1000 VAC

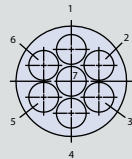
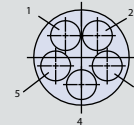
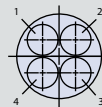


Insert Arrangement	8-23	9-25	10-28	11-210	15-220
No. of Contacts	3	5	8	10	20

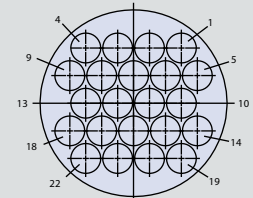
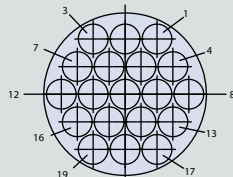
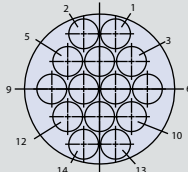
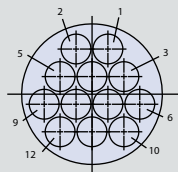


Insert Arrangement	18-235	19-241	21-255	23-269
No. of Contacts	35	41	55	69

SIZE #16 POWER CONTACTS, TESTED AT 1800 VAC



Insert Arrangement	8-1	10-2	11-4	12-5	15-7
No. of Contacts	1	2	4	5	7



Insert Arrangement	18-12	19-14	21-19	23-22
No. of Contacts	12	14	19	22

SERIES 805 TRIPLE-START ACME THREAD

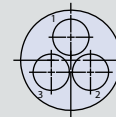
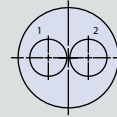
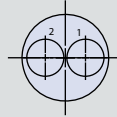


SERIES 805 TRIPLE-START ACME THREAD
Mighty Mouse Connectors and Cables

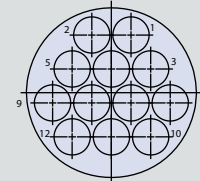
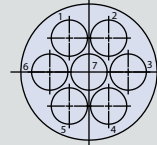
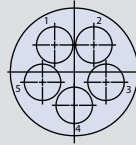
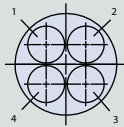


Contact Layouts, Mating Face of Pin Insert Shown

SIZE #12 POWER, TESTED AT 1800 VAC

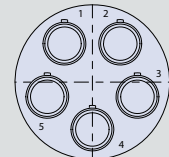
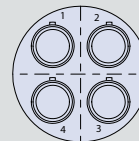
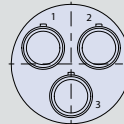
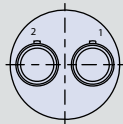


Insert Arrangement	9-1	12-2	15-2	15-3
No. of Contacts	1	2	2	3



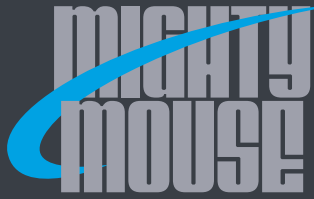
Insert Arrangement	18-4	18-5	19-7	23-12
No. of Contacts	4	5	7	12

SIZE #8 CONTACT ARRANGEMENTS, TESTED AT 1800 VAC



Insert Arrangement	10-1	18-2	19-3	21-4	23-5
Metal Insert Arrangement	10G1	18G2	19G3	21G4	23G5
Contact Size	#8	#8	#8	#8	#8
No. of Contacts	1	2	3	4	5
VAC Test Voltage	1800	1800	1800	1800	1800

SERIES 805 TRIPLE-START ACME THREAD

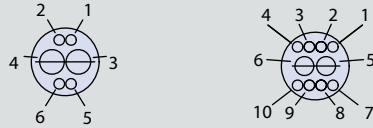


SERIES 805 TRIPLE-START ACME THREAD Mighty Mouse Connectors and Cables



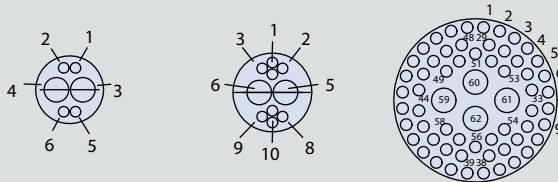
Contact Layouts, Mating Face of Pin Insert Shown

SIZE 20 AND SIZE 23 COMBO CONTACT ARRANGEMENTS, TESTED AT 750 VAC



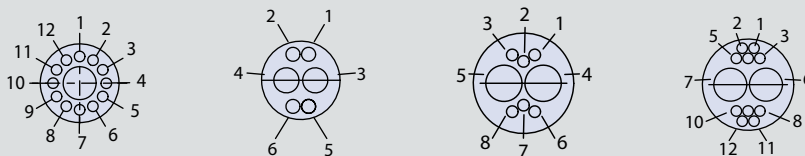
Insert Arrangement	10-200		11-201	
Contact Size	#20	#23	#20	#23
No. of Contacts	2	4	2	8

SIZE 16 AND SIZE 23 COMBO CONTACTS ARRANGEMENTS, TESTED AT 750 VAC



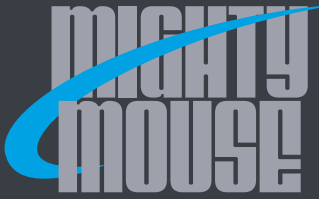
Insert Arrangement	11-200		12-202		19-206	
Contact Size	#16	#23	#16	#23	#16	#23
No. of Contacts	2	4	2	8	4	58

SIZE 12 AND SIZE 23 COMBO CONTACT ARRANGEMENTS, TESTED AT 750 VAC



Insert Arrangement	12-200		12-201		15-200		15-201	
Contact Size	#12	#23	#12	#23	#12	#23	#12	#23
No. of Contacts	1	12	2	4	2	6	2	10

SERIES 805 TRIPLE-START ACME THREAD

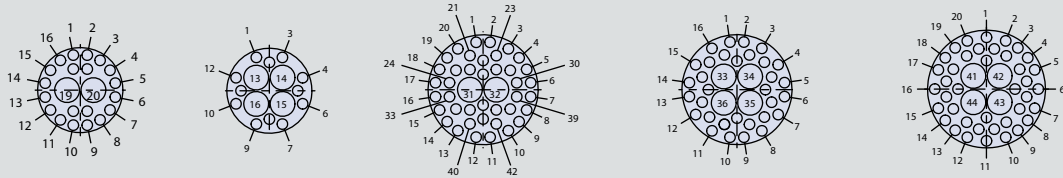


SERIES 805 TRIPLE-START ACME THREAD
Mighty Mouse Connectors and Cables



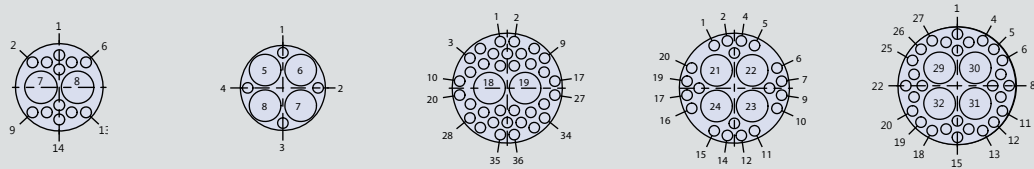
Contact Layouts, Mating Face of Pin Insert Shown

SIZE 16 AND SIZE 23 COMBO CONTACT ARRANGEMENTS, TESTED AT 1300 VAC



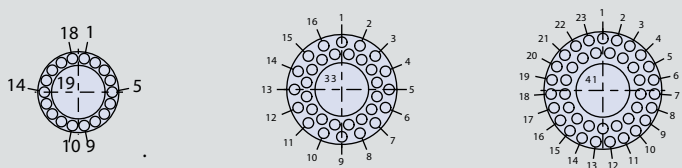
Insert Arrangement	15-202		15-203		18-204		18-205		19-203	
Contact Size	#16	#23	#16	#23	#16	#23	#16	#23	#16	#23
No. of Contacts	2	20	4	12	2	40	4	32	4	40

SIZE 12 AND SIZE 23 COMBO CONTACT ARRANGEMENTS, TESTED AT 1300 VAC

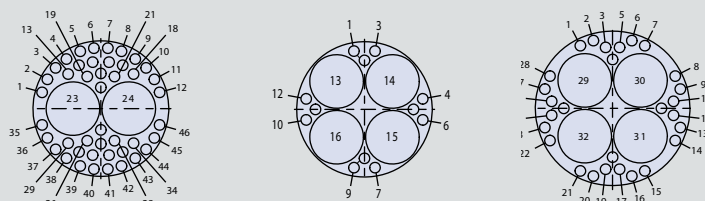


Insert Arrangement	15-204		15-205		18-206		18-207		19-204	
Contact Size	#12	#23	#12	#23	#12	#23	#12	#23	#12	#23
No. of Contacts	2	12	4	4	2	34	4	20	4	28

SIZE 8 AND SIZE 23 COMBO CONTACT ARRANGEMENTS, TESTED AT 1300 VAC

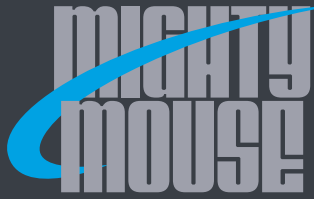


Insert Arrangement	13-201		18-208		19-205	
Contact Size	#8	#23	#8	#23	#8	#23
No. of Contacts	1	18	1	32	1	40



Insert Arrangement	21-201		21-202		23-200	
Contact Size	#8	#23	#8	#23	#8	#23
No. of Contacts	2	44	4	12	4	28

SERIES 805 TRIPLE-START ACME THREAD



SERIES 805 TRIPLE-START ACME THREAD Mighty Mouse Connectors and Cables



Panel Cutout Dimensions and Polarization

PANEL CUTOUT DIMENSIONS

Panel Cutout For Jam-Nut and Wall Mount Receptacles						
Shell Size	Square Flange			Jam-Nut		
	G Bsc	Ø H	Ø R	N Flat	Ø P	
8	.660 (16.76)	.096 (2.44) .091 (2.31)	.515 (13.08)	.545 (13.84) .541 (13.74)	.572 (14.53) .567 (14.40)	
9	.723 (18.36)		.578 (14.68)	.671 (17.04) .667 (16.94)	.698 (17.73) .693 (17.60)	
10	.785 (19.94)		.640 (16.26)	.671 (17.04) .667 (16.94)	.698 (17.73) .693 (17.60)	
11	.848 (21.54)		.703 (17.86)	.731 (18.57) .727 (18.47)	.760 (19.30) .755 (19.18)	
12	.909 (23.09)		.765 (19.43)	.794 (20.17) .790 (20.07)	.822 (20.88) .817 (20.75)	
13	.973 (24.71)		.828 (21.03)	.851 (21.62) .847 (21.51)	.885 (22.48) .881 (22.38)	
15	1.058 (26.87)		.130 (3.30) .126 (3.20)	.953 (24.21)	.980 (24.89) .976 (24.79)	1.010 (25.65) 1.005 (25.53)
18	1.255 (31.88)			1.140 (28.96)	1.157 (29.39) 1.153 (29.29)	1.198 (30.43) 1.193 (30.30)
19	1.327 (33.71)			1.203 (30.56)	1.231 (31.27) 1.227 (31.17)	1.260 (32.00) 1.255 (31.88)
21	1.452 (36.88)			1.328 (33.73)	1.358 (34.49) 1.354 (34.39)	1.383 (35.13) 1.381 (35.08)
23	1.570 (39.88)	1.453 (36.91)		1.480 (37.59) 1.476 (37.49)	1.510 (38.35) 1.505 (38.23)	

POLARIZATION

Plug Key Positions		
Position	A°	B°
Normal (A)	150°	210°
B	75°	210°
C	95°	230°
D	140°	275°
E	75°	275°
F	95°	210°

Receptacle Keyway Positions		
Position	A°	B°
A	150°	210°
B	75°	210°
C	95°	230°
D	140°	275°
E	75°	275°
F	95°	210°

SERIES 805 TRIPLE-START ACME THREAD



SERIES 805 TRIPLE-START ACME THREAD Mighty Mouse Connectors and Cables



Crimp Contact Environmental Plug with Accessory Threads or Integral Shield Termination Platform



Series 805 Environmental Plugs: feature two shell styles including Integral banding porch version for direct shield attachment using Band-Master ATS® termination system, or accessory thread version for attaching a connector backshell or strain relief. EMI ground spring achieves low shell-to-shell resistance. This nickel-plated beryllium copper spring enables the

Series 805 to meet greater than 60 dB shielding effectiveness from 100 MHz to 15 GHz. Coupling features an anti-decoupling ratchet mechanism in the coupling nut that locks into radial teeth on the plug barrel. This feature allows the Series 805 to stay mated even when under high vibration, without the need for safety wire or torque tools. Crimp-removable contacts, size #23 to #8.

How To Order						
Sample Part Number	805-001	-16	M	8-4	P	A
Series (See Table I)	805-001 = Plug with Banding Platform 805-002 = Plug with Accessory Thread					
Shell Style	-16 = Plug Connector with Anti-Decoupling Mechanism					
Shell Material and Finish	C = Aluminum / Black Anodize (Non-Conductive); RoHS Compliant M = Aluminum / Electroless Nickel; RoHS Compliant MT = Aluminum / Nickel-PTFE RoHS Compliant NF = Aluminum / Cadmium with Olive Drab Chromate ZN = Aluminum / Zinc-Nickel with Olive Drab Chromate ZNU = Aluminum / Zinc-Nickel with Black Chromate Z1 = Stainless Steel / Passivated; RoHS Compliant					
Shell Size - Insert Arrangement	See Contact Arrangements Page J-6					
Contact Type	Connector Supplied with contacts P = Pin S = Socket Connectors with contacts are supplied with crimp contacts. Contacts not installed. For coax contacts, order contacts separately and order connector without contacts.	Connector Supplied without contacts A = Pin Connector B = Socket Connector	Connector Supplied with 30 AWG Barrel Contacts G = #23 Pin H = #23 Socket			
Shell Key Positions (See Table II)	A = Normal B = Pos. B C = Pos. C D = Pos. D E = Pos. E F = Pos. F					

SERIES 805 TRIPLE-START ACME THREAD

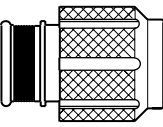
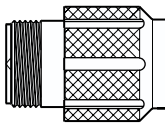
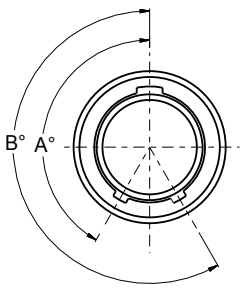
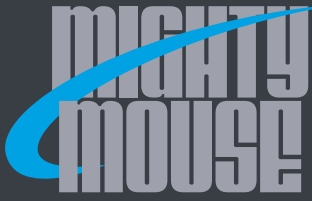
Table I: Series	
	
805-001 Plug with Banding Platform	805-002 Plug with Accessory Thread

Table II: Key Positions		
Key Position	Key Rotation	
	A	B
A (Normal)	150°	210°
B	75°	210°
C	95°	230°
D	140°	275°
E	75°	275°
F	95°	210°



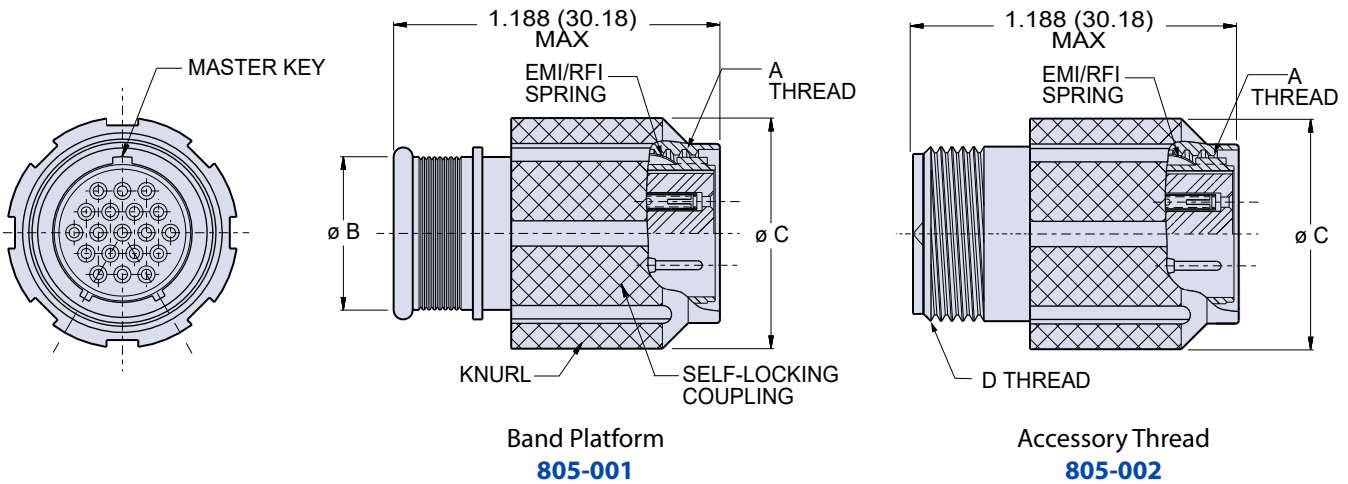


SERIES 805 TRIPLE-START ACME THREAD Mighty Mouse Connectors and Cables



Crimp Contact Environmental Plug with Accessory Threads or Integral Shield Termination Platform

PLUG CONNECTOR - SHELL STYLE 16



Dimensions				
Shell Size	A Thread	Ø B	Ø C	D Thread Accessory
8	.5000-.1P-.3L-TS-2B	.317 (8.05)	.692 (17.58)	.3750-32 UNEF-2A
9	.5625-.1P-.3L-TS-2B	.397 (10.08)	.789 (20.04)	.4375-28 UNEF-2A
10	.6250-.1P-.3L-TS-2B	.473 (12.01)	.827 (21.01)	.5000-28 UNEF-2A
11	.6875-.1P-.3L-TS-2B	.519 (13.18)	.918 (23.32)	.5625-24 UNEF-2A
12	.7500-.1P-.3L-TS-2B	.585 (14.86)	.984 (24.99)	.6250-24 UNEF-2A
13	.8125-.1P-.3L-TS-2B	.646 (16.41)	1.047 (26.59)	.6875-24 UNEF-2A
15	.9375-.1P-.3L-TS-2B	.687 (17.45)	1.098 (27.89)	.7500-20 UNEF-2A
18	1.1250-.1P-.3L-TS-2B	.884 (22.45)	1.287 (32.69)	.9375-20 UNEF-2A
19	1.1875-.1P-.3L-TS-2B	.884 (22.45)	1.311 (33.30)	.9375-20 UNEF-2A
21	1.3125-.1P-.3L-TS-2B	1.003 (25.48)	1.448 (36.78)	1.0625-18 UNEF-2A
23	1.4375-.1P-.3L-TS-2B	1.135 (28.83)	1.562 (39.67)	1.1875-18 UNEF-2A

NOTES

- This connector mates with all quick coupling high density plug connectors with same polarization and opposite contact gender 805-001, 805-002
- For additional insert arrangements consult factory
- Contacts are non removable and connector is back potted
- Materials and Finishes
 - Connector Shell: Aluminum or stainless steel
 - Insulator: High-grade rigid dielectric
 - Seals: Fluorosilicone rubber, blue
 - Pin Contact: Copper Alloy, Gold over Nickel Plating
 - Socket Contact: Copper alloy, gold over nickel plating, with SST hood
 - Contact Retainer Clip: Beryllium copper, unplated



SERIES 805 TRIPLE-START ACME THREAD Mighty Mouse Connectors and Cables



Right Angle Environmental Plug with Integral Shield Termination Platform and Crimp Contacts

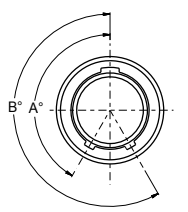


Series 805 Mighty Mouse Cobra™ features integral ultra-low profile right angle shielded backshell reduces clearance requirements without compromising ruggedness, environmental protection, or shielding performance. Removable rear cover allows easy access for soldering wires or inserting crimped wire contacts. Cover gasket prevents moisture intrusion. Master key may be clocked in 24 positions. Contacts are gold-plated copper alloy. Integral backshell allows for termination of cable shield to backshell with Band-Master strap and includes groove for lipped heat shrink boots. Crimp contacts are snap-in rear release — supplied separately. Available with size #23 contacts only.

How To Order	
Sample Part Number	805-061-16 Z1 8-6 P A 1 05
Series and Shell Style	805-061-16 = Low Profile, Right Angle Plug with Integral Backshell
Shell Material and Finish	M = Aluminum / Electroless Nickel; RoHS Compliant MT = Aluminum / Nickel-PTFE RoHS Compliant NF = Aluminum / Cadmium with Olive Drab Chromate ZNU = Aluminum / Zinc-Nickel with Black Chromate Z1 = Stainless Steel / Passivated; RoHS Compliant
Shell Size - Insert Arrangement (See Note 10)	8-4, 8-6, 8-7, 9-10, 10-13, 11-19, 12-26, 13-31, 15-37, 18-55, 19-85, 21-100, 23-130
Contact Type	A = Pin, Solder P = Pin, Crimp B = Socket, Solder S = Socket, Crimp
Shell Key Positions (See Table I)	A = Normal B = Pos. B C = Pos. C D = Pos. D E = Pos. E F = Pos. F
Cable Exit Direction (See Table II)	1 through 8
Cable Entry Size (See Table III)	02, 03, 04, 05, 06, 07, 08, 09, 10, 11, 12, 13, 14, 15, 16, 17

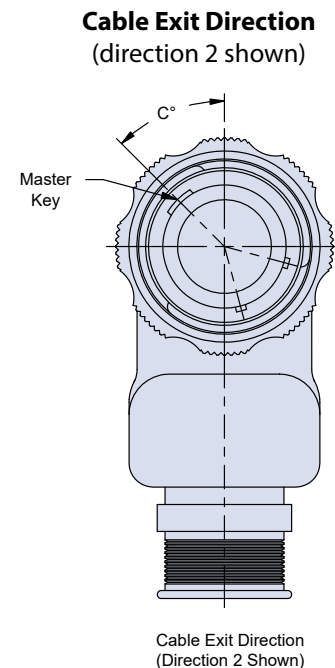
SERIES 805 TRIPLE-START ACME THREAD

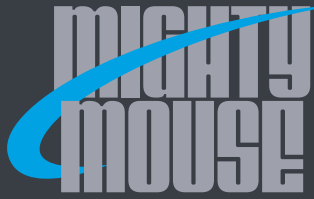
Pos.	A	B
A	150°	210°
B	75°	210°
C	95°	230°
D	140°	275°
E	75°	275°
F	95°	210°



Direction	C°	Direction	C°
1	0°	E	105
2	45°	F	120
3	90°	G	150
4	135°	H	165
5	180°	J	195
6	225°	K	210
7	270°	L	240
8	315°	M	255
A	15	N	285
B	30	P	300
C	60	R	330
D	75	S	345

Code	Entry Size	Code	Entry Size
02	.125 (3.18)	10	.625 (15.88)
03	.188 (4.78)	11	.688 (17.48)
04	.250 (6.35)	12	.750 (19.05)
05	.313 (7.95)	13	.813 (2.65)
06	.375 (9.52)	14	.875 (22.23)
07	.438 (11.13)	15	.938 (23.83)
08	.500 (12.70)	16	1.000 (25.40)
09	.563 (14.30)	17	1.063 (27.00)



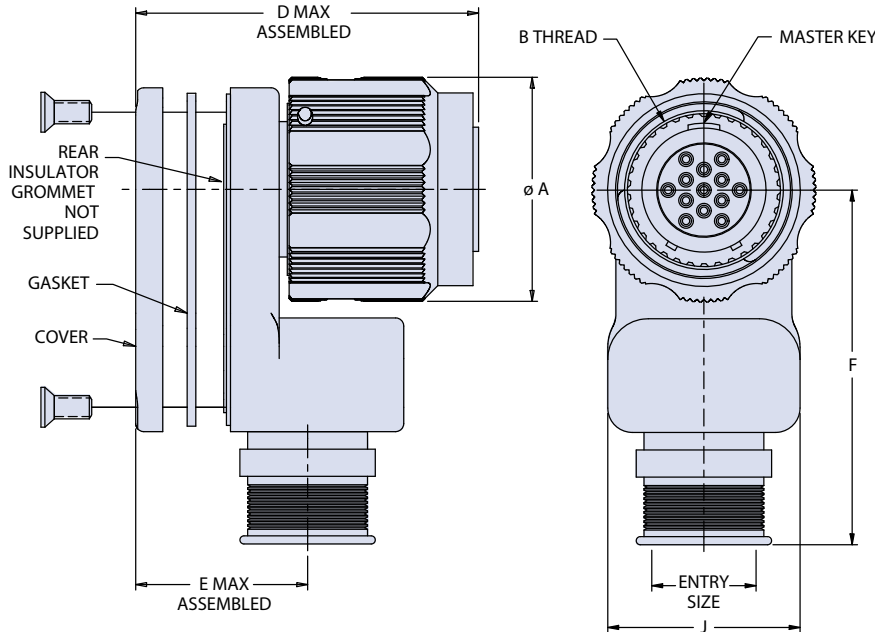


SERIES 805 TRIPLE-START ACME THREAD Mighty Mouse Connectors and Cables



Right Angle Environmental Plug with Integral Shield Termination Platform and Crimp Contacts

LOW PROFILE COBRA™ RIGHT ANGLE PLUG WITH INTEGRAL BACKSHELL



NOTES

1. Contacts are size 23
2. Consult factory for additional contact arrangements and or shell orientations
3. Crimp barrel accommodate 22, 24, 26 and 28 gage wire
4. Crimp tool data:
 5. Hand crimp tool: Glenair P/N 809-015
 6. Positioner for hand tool: Glenair P/N 809-005
 7. Insertion/extraction tool: Glenair P/N 809-088
8. This connector mates with all quick coupling high density plug connectors with same polarization and opposite contact gender 805-003, 805-004
9. Rear insulator grommet not supplied
10. See Table IV for wire bend radius restrictions
11. Material and Finish
 - Plug barrel, coupling nut, housing, cover: aluminum alloy or SST / see how to order table
 - Insulator: High Grade Rigid Dielectric / N.A.
 - Interfacial seal, gasket: fluorosilicone / N.A.
 - Contact: copper alloy / gold plate per ASTM B 488, Type II, Code C, Class 1.25, over suitable underplate
 - Contact retention clip: beryllium copper alloy / N.A.
 - Hardware: stainless steel / passivate or black oxide
 - Retaining wire: torlon / N.A.
 - Detent spring, rivet: stainless steel / N.A.
 - EMI ground spring: beryllium copper / electroless nickel

Dimensions									
Shell Size	Ø A	B Thread	D	E	F	G	H	J	Max Entry
8	.65 (15.7)	.5000-.1P-.3L-TS-2B	1.02 (25.9)	.34 (8.6)	1.24 (31.5)	1.76 (44.7)	1.62 (41.1)	.560 (14.22)	04
9	.79 (20.1)	.5625-.1P-.3L-TS-2B	1.03 (26.2)	.39 (9.9)	1.28 (32.5)	1.77 (45.0)	1.63 (41.4)	.650 (16.51)	05
10	.83 (21.1)	.6250-.1P-.3L-TS-2B	1.05 (26.7)	.42 (10.7)	1.31 (33.3)	1.79 (45.5)	1.65 (41.9)	.710 (18.03)	06
11	.92 (23.4)	.6875-.1P-.3L-TS-2B	1.08 (27.4)	.45 (11.4)	1.34 (34.0)	1.82 (46.2)	1.68 (42.7)	.770 (19.56)	07
12	.98 (24.9)	.7500-.1P-.3L-TS-2B	1.11 (28.2)	.48 (12.2)	1.37 (34.8)	1.85 (47.0)	1.71 (43.4)	.835 (21.21)	08
13	1.05 (26.7)	.8125-.1P-.3L-TS-2B	1.14 (29.0)	.50 (12.7)	1.43 (36.3)	1.88 (47.8)	1.74 (44.2)	.900 (22.86)	09
15	1.10 (27.9)	.9375-.1P-.3L-TS-2B	1.17 (29.7)	.52 (13.2)	1.48 (37.6)	1.91 (48.5)	1.77 (45.0)	.950 (24.13)	10
18	1.29 (32.8)	1.1250-.1P-.3L-TS-2B	1.25 (31.8)	.58 (14.7)	1.64 (41.7)	1.99 (50.5)	1.85 (47.0)	1.070 (27.18)	12
19	1.31 (33.3)	1.1875-.1P-.3L-TS-2B	1.32 (33.5)	.63 (16.0)	1.78 (45.2)	2.06 (52.3)	1.92 (48.8)	1.180 (29.97)	13
21	1.45 (36.8)	1.3125-.1P-.3L-TS-2B	1.44 (36.6)	.70 (17.8)	1.89 (48.0)	2.18 (55.4)	2.04 (51.8)	1.300 (33.02)	15
23	1.56 (39.6)	1.4375-.1P-.3L-TS-2B	1.55 (39.4)	.76 (19.3)	1.98 (50.3)	2.30 (58.4)	2.16 (54.9)	1.410 (35.81)	17



SERIES 805 TRIPLE-START ACME THREAD Mighty Mouse Connectors and Cables



Right Angle Environmental Plug with Integral Shield Termination Platform and Crimp Contacts

LOW PROFILE COBRA™ RIGHT ANGLE PLUG MATING SPACE REQUIREMENTS

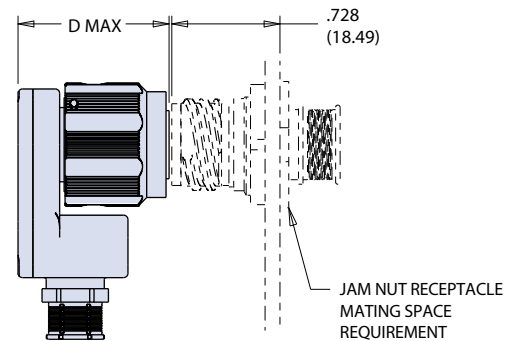
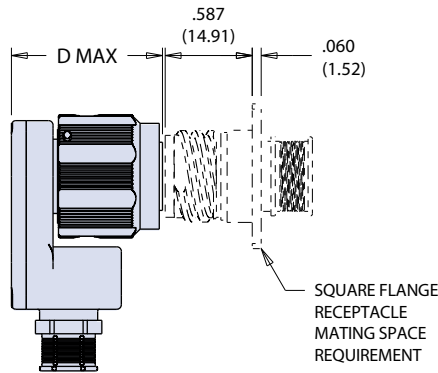
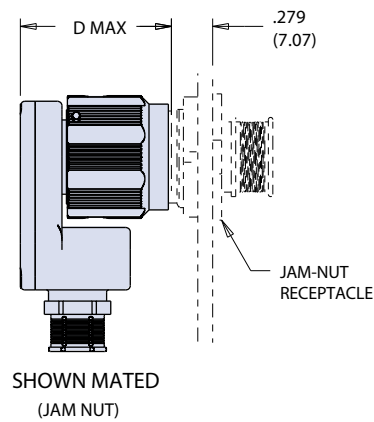
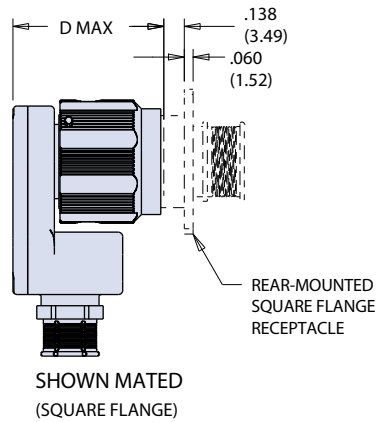
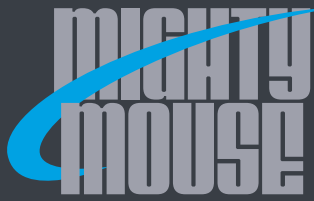


Table IV: Wire Bend Radius

Wire Size	Bend Radius
30 AWG	10x max
28 AWG	10x max
26 AWG	10x max
24 AWG	10x max
22 AWG	8x max
20 AWG	7x max
18 AWG	6x max
16 AWG	5x max
14 AWG	4x max
12 AWG	4x max

SERIES 805 TRIPLE-START ACME THREAD



SERIES 805 TRIPLE-START ACME THREAD Mighty Mouse Connectors and Cables



Environmental Receptacles with Integral Shield Termination Platform or Accessory Threads



Series 805 Environmental Receptacles feature gold-plated crimp contacts, held in place with beryllium copper retention clips. Series supports signal, power, coax (RF), and high-speed twinax and quadrax, sizes #23, #20, #20HD, #16, #12, and #8. Select integral band platform for direct attachment of a cable shield. Platform includes boot groove for easy installation of environmental shrink boot. Select accessory thread for attachment of backshells or strain relief clamps.

How To Order		805-004	-02	NF	9-10	P	A
Sample Part Number							
Series (See Table I)	805-003 = Receptacle with Banding Platform 805-004 = Receptacle with Accessory Thread						
Shell Style (See Table II)	-01 = In-line -02 = Square Flange Front or Rear Mount -12 = Square Flange Rear Mount Non-Locking Clinch Nuts* -22 = Square Flange Rear Mount Locking Clinch Nuts* -07 = Jam-Nut for Rear Panel Mounting						
Shell Material and Finish	C = Aluminum / Black Anodize (Non-Conductive); RoHS Compliant M = Aluminum / Electroless Nickel; RoHS Compliant MT = Aluminum / Nickel-PTFE RoHS Compliant NF = Aluminum / Cadmium with Olive Drab Chromate ZNU = Aluminum / Zinc-Nickel with Black Chromate Z1 = Stainless Steel / Passivated; RoHS Compliant ZB = Stainless Steel / Olive Drab Chromate over Cadmium ZC = Stainless Steel / Zinc Cobalt Alloy/Black Chromate						
Shell Size - Insert Arrangement	See Contact Arrangements Page J-6						
Contact Type	Connector supplied with crimp contacts P = Pin G = #23 Pin with 30 AWG Crimp Barrel S = Socket H = #23 Socket with 30 AWG Crimp Barrel For coax contacts, order contacts separately and order connector without contacts.	Connector supplied without contacts A = Pin Connector, less contacts B = Socket Connector, less contacts					
Shell Key Positions (See Table III)	A = Normal B = Pos. B C = Pos. C D = Pos. D E = Pos. E F = Pos. F						

* Consult Factory for SST Material

Table I: Series	
805-003 Receptacle with Banding Platform	805-004 Receptacle with Accessory Thread

Table II: Shell Style		
-01 In-line Receptacle	-02, -12, -22 Square Flange	-07 Jam-Nut

Table III: Keyway Positions		
Pos.	A	B
A (Normal)	150°	210°
B	75°	210°
C	95°	230°
D	140°	275°
E	75°	275°
F	95°	210°

NOTES

- Contacts are crimp type and used in rear release retention system
- This receptacle mates with all quick coupling high density plug connectors with same polarization and opposite contact gender
- For all insert arrangements with size #8 contacts add .227" to overall length
- Grommet protrudes for power/combo/#8 arrangements
- Maximum panel thickness for 01, 02, 12, and 22 is .100 (2.54) max
- See J-11 for panel cut-out dimensions

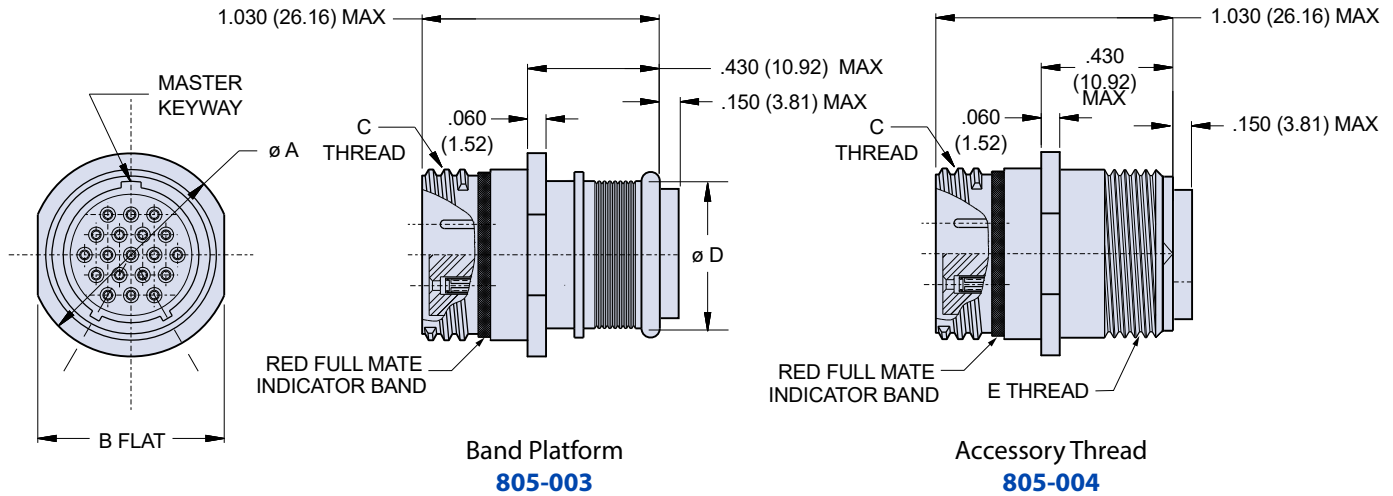


SERIES 805 TRIPLE-START ACME THREAD Mighty Mouse Connectors and Cables



Square Flange Receptacle with Integral Shield Termination Platform or Accessory Threads

IN-LINE CABLE RECEPTACLE - SHELL STYLE 01

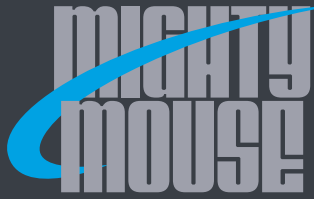


Dimensions					
Shell Size	Ø A	B Flat	C Thread	Ø D	E Accessory Thread
8	.540 (13.72)	.510 (12.95)	.5000-.1P-.3L-TS-2A	.316 (8.03)	.3750-32 UNEF-2A
9	.605 (15.37)	.575 (14.60)	.5625-.1P-.3L-TS-2A	.397 (10.08)	.4375-28 UNEF-2A
10	.668 (16.97)	.638 (16.21)	.6250-.1P-.3L-TS-2A	.472 (11.99)	.5000-28 UNEF-2A
11	.730 (18.54)	.700 (17.78)	.6875-.1P-.3L-TS-2A	.519 (13.18)	.5625-24 UNEF-2A
12	.793 (20.14)	.763 (19.38)	.7500-.1P-.3L-TS-2A	.585 (14.86)	.6250-24 UNEF-2A
13	.855 (21.72)	.825 (20.96)	.8125-.1P-.3L-TS-2A	.646 (16.41)	.6875-24 UNEF-2A
15	.980 (24.89)	.950 (24.13)	.9375-.1P-.3L-TS-2A	.687 (17.45)	.7500-20 UNEF-2A
18	1.165 (29.59)	1.135 (28.83)	1.1250-.1P-.3L-TS-2A	.884 (22.45)	.9375-20 UNEF-2A
19	1.235 (31.37)	1.205 (30.61)	1.1875-.1P-.3L-TS-2A	.884 (22.45)	.9375-20 UNEF-2A
21	1.360 (34.54)	1.330 (33.78)	1.3125-.1P-.3L-TS-2A	1.003 (25.48)	1.0625-18 UNEF-2A
23	1.485 (37.72)	1.455 (36.96)	1.4375-.1P-.3L-TS-2A	1.134 (28.80)	1.1875-18 UNEF-2A

Materials and Finishes

- Connector shell: aluminum or stainless steel / see how to order table
- Insulators: high-grade rigid dielectric / N.A
- Interfacial seal: fluorosilicone rubber, blue
- Contact: copper alloy, gold plate per ASTM B 488, Type II, Code C, Class 1.25 over a suitable underplate

SERIES 805 TRIPLE-START ACME THREAD

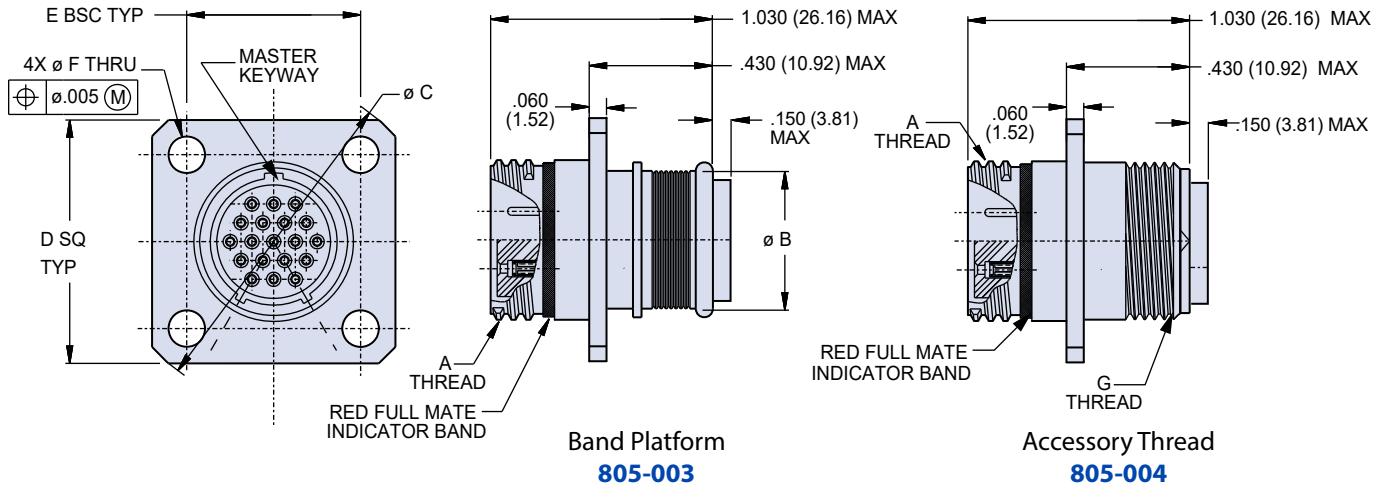


SERIES 805 TRIPLE-START ACME THREAD Mighty Mouse Connectors and Cables



Square Flange Receptacle with Integral Shield Termination Platform or Accessory Threads

SQUARE FLANGE, FRONT OR REAR PANEL MOUNT RECEPTACLE - SHELL STYLE 02



Dimensions							
Shell Size	A Thread	ϕ B	ϕ C	D Sq Typ	E Bsc	ϕ F $\pm .003$ (.08)	G Thread
8	.5000-1P-.3L-TS-2A	.316 (8.03)	1.150 (29.21)	.850 (21.59)	.660 (16.76)	.096 (2.44) .091 (2.31)	.3750-32 UNEF-2A
9	.5625-1P-.3L-TS-2A	.397 (10.08)	1.230 (31.24)	.913 (23.19)	.723 (18.36)		.4375-28 UNEF-2A
10	.6250-1P-.3L-TS-2A	.472 (11.99)	1.330 (33.78)	.975 (24.76)	.785 (19.94)		.5000-28 UNEF-2A
11	.6875-1P-.3L-TS-2A	.519 (13.18)	1.410 (35.81)	1.039 (26.39)	.848 (21.54)		.5625-24 UNEF-2A
12	.7500-1P-.3L-TS-2A	.585 (14.86)	1.500 (38.10)	1.099 (27.91)	.909 (23.09)		.6250-24 UNEF-2A
13	.8125-1P-.3L-TS-2A	.646 (16.41)	1.590 (40.39)	1.163 (29.54)	.973 (24.71)		.6875-24 UNEF-2A
15	.9375-1P-.3L-TS-2A	.687 (17.45)	1.750 (44.45)	1.288 (32.72)	1.058 (26.87)	.130 (3.30) .126 (3.20)	.7500-20 UNEF-2A
18	1.1250-1P-.3L-TS-2A	.884 (22.45)	2.000 (50.80)	1.475 (37.47)	1.255 (31.88)		.9375-20 UNEF-2A
19	1.1875-1P-.3L-TS-2A	.884 (22.45)	2.094 (53.19)	1.537 (39.04)	1.327 (33.71)		.9375-20 UNEF-2A
21	1.3125-1P-.3L-TS-2A	1.003 (25.48)	2.270 (57.66)	1.663 (42.24)	1.452 (36.88)		1.0625-18 UNEF-2A
23	1.4375-1P-.3L-TS-2A	1.134 (28.80)	2.440 (61.98)	1.787 (45.39)	1.570 (39.88)		1.1875-18 UNEF-2A

Materials and Finishes

- Connector shell: aluminum or stainless steel / see how to order table
- Insulators: high-grade rigid dielectric / N.A
- Interfacial seal: fluorosilicone rubber, blue
- Contact: copper alloy, gold plate per ASTM B 488, Type II, Code C, Class 1.25 over a suitable underplate

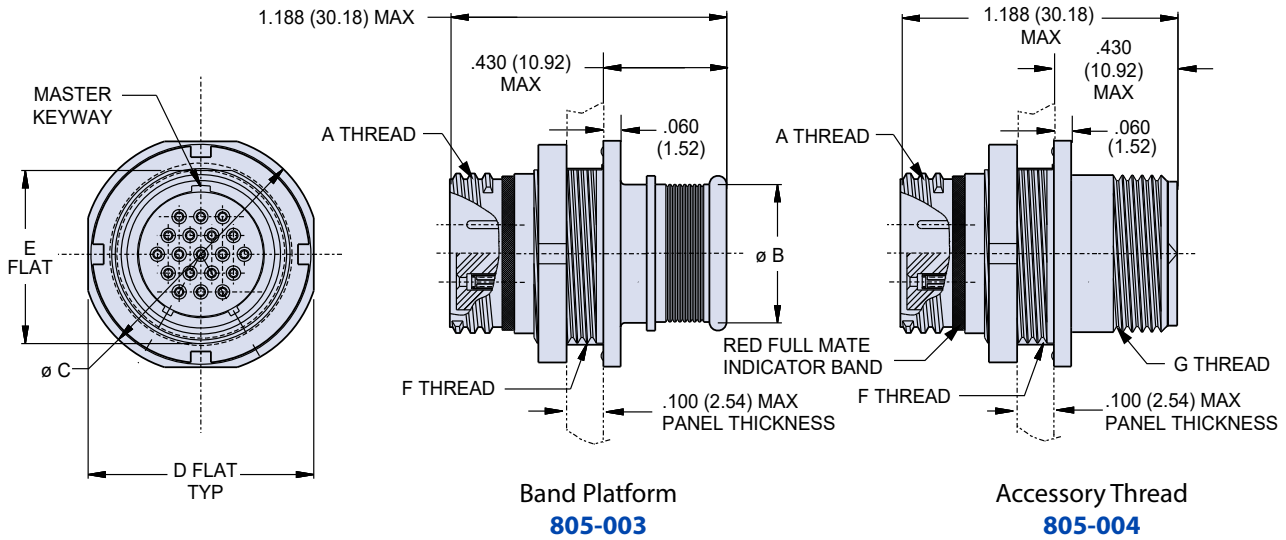


SERIES 805 TRIPLE-START ACME THREAD Mighty Mouse Connectors and Cables



Jam-Nut Receptacle with Integral Shield Termination Platform or Accessory Thread

JAM-NUT, REAR PANEL MOUNT RECEPTACLE - SHELL STYLE 07

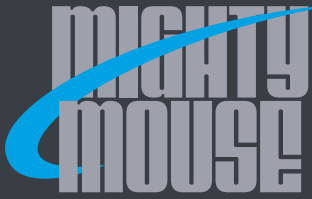


Dimensions							
Shell Size	A Thread .1P-.3L-TS-2A	Ø B	Ø C	D Flat	E Flat	F Threads	G Accessory Thread
8	.5000	.316 (8.03)	.760 (19.30)	.730 (18.54)	.535 (13.59)	.5625-28 UNEF-2A	.3750-32 UNEF-2A
9	.5625	.397 (10.08)	.880 (22.35)	.850 (21.59)	.661 (16.79)	.6875-28 UN-2A	.4375-28 UNEF-2A
10	.6250	.472 (11.99)	.880 (22.35)	.850 (21.59)	.661 (16.79)	.6875-28 UN-2A	.5000-28 UNEF-2A
11	.6875	.519 (13.18)	.955 (24.26)	.925 (23.50)	.721 (18.31)	.7500-28 UN-2A	.5625-24 UNEF-2A
12	.7500	.585 (14.86)	1.060 (26.92)	1.035 (26.29)	.784 (19.91)	.8125-28 UN-2A	.6250-24 UNEF-2A
13	.8125	.646 (16.41)	1.120 (28.45)	1.090 (27.69)	.843 (21.41)	.8750-28 UN-2A	.6875-24 UNEF-2A
15	.9375	.687 (17.45)	1.203 (30.56)	1.173 (29.79)	.970 (24.64)	1.0000-28 UN-2A	.7500-20 UNEF-2A
18	1.1250	.884 (22.45)	1.389 (35.28)	1.359 (34.52)	1.147 (29.13)	1.1875-28 UN-2A	.9375-20 UNEF-2A
19	1.1875	.884 (22.45)	1.450 (36.83)	1.420 (36.07)	1.221 (31.01)	1.2500-28 UN-2A	.9375-20 UNEF-2A
21	1.3125	1.003 (25.48)	1.590 (40.39)	1.560 (39.62)	1.350 (34.29)	1.3750-28 UN-2A	1.0625-18 UNEF-2A
23	1.4375	1.134 (28.80)	1.705 (43.31)	1.675 (42.55)	1.470 (37.34)	1.5000-28 UN-2A	1.1875-18 UNEF-2A

Materials and Finishes

- Connector shell: aluminum or stainless steel / see how to order table
- Insulators: high-grade rigid dielectric / N.A
- Interfacial seal: fluorosilicone rubber, blue
- Contact: copper alloy, gold plate per ASTM B 488, Type II, Code C, Class 1.25 over a suitable underplate

SERIES 805 TRIPLE-START ACME THREAD

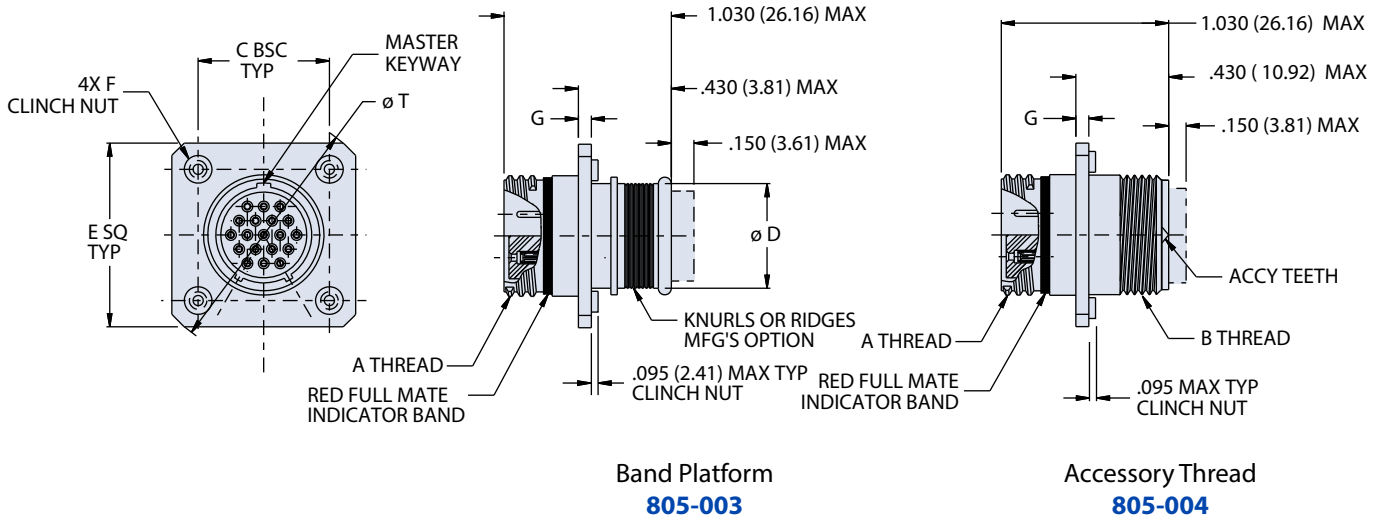


SERIES 805 TRIPLE-START ACME THREAD Mighty Mouse Connectors and Cables



Square Flange Receptacles with Integral Shield Termination Platform or Accessory Thread

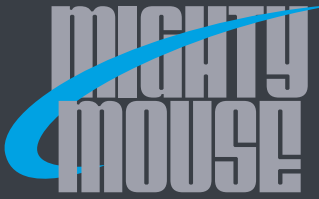
SQUARE FLANGE, REAR PANEL MOUNT RECEPTACLE WITH CLINCH NUTS - SHELL STYLE 12/22



Dimensions								
Shell Size	A Thread	B Thread	C BSC	Ø D	E SQ	Ø T	F Clinch Nuts	G
8	.5000-.1P-.3L-TS-2A	.3750-32 UNEF-2A	.660 (16.76)	1.194 (30.33)	.920 (23.37)	1.194 (30.33)	2-56	.030 (0.76)
9	.5625-.1P-.3L-TS-2A	.4375-28 UNEF-2A	.723 (18.36)	1.283 (32.59)	.983 (24.97)	1.283 (32.59)		
10	.6250-.1P-.3L-TS-2A	.5000-28 UNEF-2A	.785 (19.94)	1.371 (34.82)	1.045 (26.54)	1.371 (34.82)		
11	.6875-.1P-.3L-TS-2A	.5625-24 UNEF-2A	.848 (21.54)	1.460 (37.08)	1.104 (28.04)	1.460 (37.08)		
12	.7500-.1P-.3L-TS-2A	.6250-24 UNEF-2A	.909 (23.09)	1.546 (39.27)	1.169 (29.69)	1.546 (39.27)		
13	.8125-.1P-.3L-TS-2A	.6875-24 UNEF-2A	.973 (24.71)	1.637 (41.58)	1.233 (31.32)	1.637 (41.58)		
15	.9375-.1P-.3L-TS-2A	.7500-20 UNEF-2A	1.058 (26.87)	1.817 (46.15)	1.378 (35.00)	1.817 (46.15)	4-40	.060
18	1.1250-.1P-.3L-TS-2A	.9375-20 UNEF-2A	1.255 (31.88)	2.096 (53.24)	1.575 (40.00)	2.096 (53.24)		
19	1.1875-.1P-.3L-TS-2A	.9375-20 UNEF-2A	1.327 (33.71)	2.197 (55.80)	1.647 (41.83)	2.197 (55.80)		
21	1.3125-.1P-.3L-TS-2A	1.0625-18 UNEF-2A	1.452 (36.88)	2.380 (60.45)	1.772 (45.01)	2.380 (60.45)		
23	1.4375-.1P-.3L-TS-2A	1.1875-18 UNEF-2A	1.570 (39.88)	2.541 (64.54)	1.890 (48.01)	2.541 (64.54)		

Materials and Finishes

- Connector shell: aluminum or stainless steel / see how to order table
- Insulators: high-grade rigid dielectric / N.A
- Interfacial seal: fluorosilicone rubber, blue
- Contact: copper alloy, gold plate per ASTM B 488, Type II, Code C, Class 1.25 over a suitable underplate



SERIES 805 TRIPLE-START ACME THREAD Mighty Mouse Connectors and Cables



Environmental or Watertight Receptacle with PC Tail or Solder Cup Contacts



Environmental, PCB Receptacle 805-005 power and signal connectors feature low profile shells for minimum protrusion inside enclosures and integral board standoffs. Standard signal and power contacts are non-removable (consult factory for shielded contact configurations).

Water-Tight PCB Receptacle 805-017 connectors are identical to 805-005, but are specially sealed ("MOD-518") and 100% tested to maintain a helium leak rate of less than 1×10^{-4} cc/second at one atmosphere pressure differential. Connectors meet MIL-STD-810 Method 512G immersion requirements in unmated/open face condition.

How To Order						
Sample Part Number	805-017	-07	M	10-13	P	B
Series	805-005 = Receptacle with Standard Epoxy Potting 805-017 = Receptacle with Special "MOD-518" Sealing For Open Face (unmated) Water Immersion Requirements. 100% Leak Tested.					
Shell Style (See Table I)	-02 = Square Flange, Front or Rear Panel Mount -12 = Square Flange, Rear Panel Mount with Non-Locking Clinch Nuts* -22 = Square Flange, Rear Panel Mount with Locking Clinch Nuts* -07 = Jam-Nut, Rear Panel Mount					
Shell Material and Finish	C = Aluminum / Black Anodize (Non-Conductive); RoHS Compliant M = Aluminum / Electroless Nickel; RoHS Compliant MT = Aluminum / Nickel-PTFE RoHS Compliant NF = Aluminum / Cadmium with Olive Drab Chromate ZNU = Aluminum / Zinc-Nickel with Black Chromate Z1 = Stainless Steel / Passivated; RoHS Compliant ZB = Stainless Steel / Olive Drab Chromate over Cadmium ZC = Stainless Steel / Zinc Cobalt Alloy/Black Chromate					
Shell Size - Insert Arrangement	See Contact Arrangements Page J-6. **					
Contact Type	P = Pin, PC Tail S = Socket, PC Tail E = Pin, Solder Cup F = Socket, Solder Cup					
Polarization (See Table II)	A = Normal B = Pos. B C = Pos. C D = Pos. D E = Pos. E F = Pos. F					

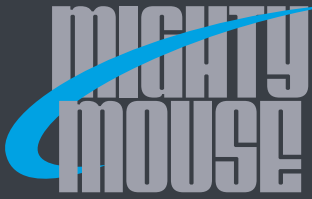
*Consult Factory for SST Material **Power and signal contacts only. For shielded contact applications, consult factory.

Table I: Shell Style	
-02, -12, -22 Square Flange	-07 Jam-Nut

Table II: Keyway Positions		
Pos.	A	B
A (Normal)	150°	210°
B	75°	210°
C	95°	230°
D	140°	275°
E	75°	275°
F	95°	210°

NOTES

1. Contacts are non removable and connector is back potted
2. For additional insert arrangements consult factory
3. This receptacle mates with all quick coupling high density plug connectors with same polarization and opposite contact gender
4. For all insert arrangements with size #8 contacts add .327 (8.31) to overall length
5. See J-11 for panel cut-out dimensions

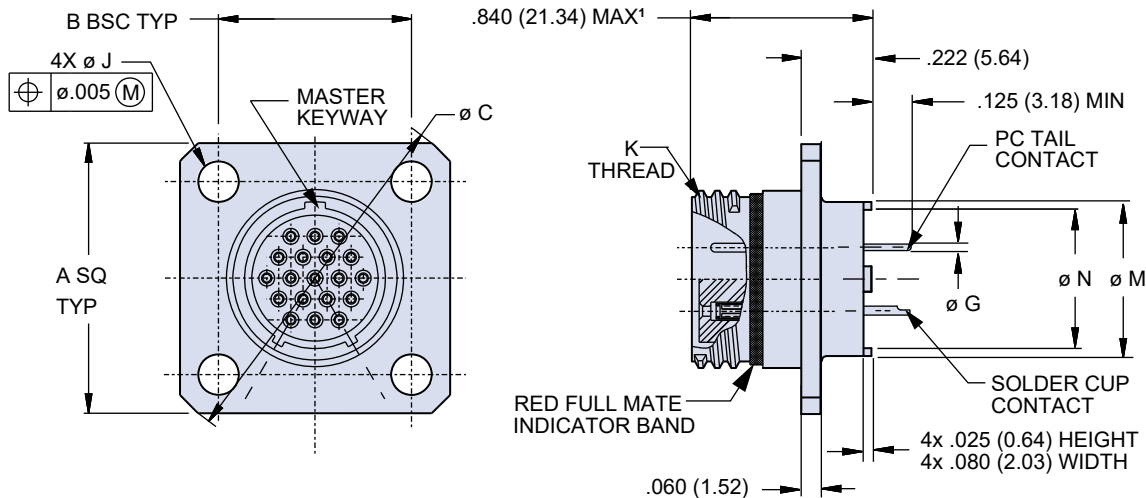


SERIES 805 TRIPLE-START ACME THREAD Mighty Mouse Connectors and Cables



Environmental or Watertight Receptacle with PC Tail or Solder Cup Contacts

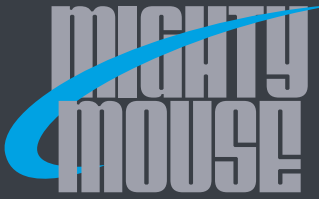
SQUARE FLANGE, FRONT OR REAR PANEL MOUNT RECEPTACLE - SHELL STYLE 02



Dimensions								
Shell Size	A SQ Typ	B Bsc Typ	Ø C	Ø J ± .003 (0.08)	K Thread	Ø M	Ø N	Ø G Tail Dia.
8	.850 (21.59)	.660 (16.76)	1.150 (29.21)	.094 (2.39)	.5000-.1P-.3L-TS	.330 (8.38)	.236 (5.99)	
9	.913 (23.19)	.723 (18.36)	1.230 (31.24)	.094 (2.39)	.5625-.1P-.3L-TS	.432 (10.97)	.322 (8.18)	
10	.975 (24.76)	.785 (19.94)	1.330 (33.78)	.094 (2.39)	.6250-.1P-.3L-TS	.493 (12.52)	.386 (9.80)	#23 .018/.022 (0.46/0.56)
11	1.039 (26.39)	.848 (21.54)	1.410 (35.81)	.094 (2.39)	.6875-.1P-.3L-TS	.551 (14.00)	.442 (11.23)	
12	1.099 (27.91)	.909 (23.09)	1.500 (38.10)	.094 (2.39)	.7500-.1P-.3L-TS	.620 (15.75)	.513 (13.03)	#20 .024/.028 (0.61/0.71)
13	1.163 (29.54)	.973 (24.71)	1.590 (40.39)	.094 (2.39)	.8125-.1P-.3L-TS	.661 (16.79)	.554 (14.07)	
15	1.288 (32.72)	1.058 (26.87)	1.750 (44.45)	.128 (3.25)	.9375-.1P-.3L-TS	.703 (17.86)	.594 (15.09)	#16 .060/.064 (1.52/1.63)
18	1.475 (37.47)	1.255 (31.88)	2.000 (50.80)	.128 (3.25)	1.1250-.1P-.3L-TS	.863 (21.92)	.755 (19.18)	
19	1.537 (39.04)	1.327 (33.71)	2.094 (53.19)	.128 (3.25)	1.1875-.1P-.3L-TS	.912 (23.16)	.805 (20.45)	#12 .092/.096 (2.34/2.44)
21	1.663 (42.24)	1.452 (36.88)	2.270 (57.66)	.128 (3.25)	1.3125-.1P-.3L-TS	1.017 (25.83)	.910 (23.11)	
23	1.787 (45.39)	1.570 (39.88)	2.440 (61.98)	.128 (3.25)	1.4375-.1P-.3L-TS	1.162 (29.51)	1.055 (26.80)	

Materials and Finishes

- Shell aluminum or stainless steel / see how to order table
- Insulators: high-grade rigid dielectric / N.A
- Interfacial seal, O-ring: fluorosilicone
- Potting compound: epoxy
- Contact: copper alloy, gold plate per ASTM B 488, Type II, Code C, Class 1.25 over a suitable underplate

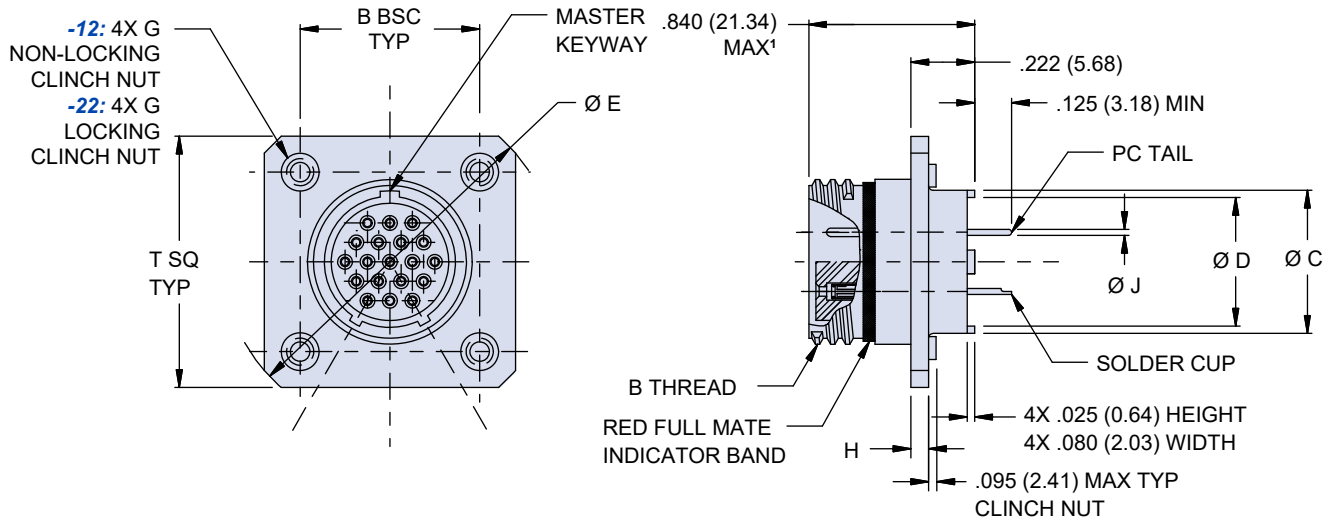


SERIES 805 TRIPLE-START ACME THREAD Mighty Mouse Connectors and Cables



Environmental or Watertight Receptacle with PC Tail or Solder Cup Contacts

SQUARE FLANGE, FRONT OR REAR PANEL MOUNT RECEPTACLE - SHELL STYLE 12 AND 22

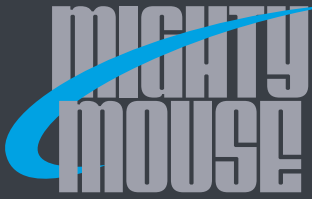


Dimensions									
Shell Size	B BSC Typ	B Thread	Ø C	Ø D	Ø E	T SQ Typ	G	H	Ø J Tail Dia.
8	.660 (16.76)	.5000-1P-3L-TS	0.330 (8.38)	0.236 (5.99)	1.194 (30.33)	0.920 (23.37)	2-56	0.030 (.76)	#23 .018/.022 (0.46/0.56)
9	.723 (18.36)	.5625-1P-3L-TS	0.432 (10.97)	0.322 (8.18)	1.283 (32.59)	0.983 (24.97)			
10	.785 (19.94)	.6250-1P-3L-TS	0.493 (12.52)	0.386 (9.80)	1.371 (34.82)	1.045 (26.54)			
11	.848 (21.54)	.6875-1P-3L-TS	0.551 (14.00)	0.442 (11.23)	1.460 (37.08)	1.104 (28.04)			
12	.909 (23.09)	.7500-1P-3L-TS	0.620 (15.75)	0.513 (13.03)	1.546 (39.27)	1.169 (29.69)			
13	.973 (24.71)	.8125-1P-3L-TS	0.661 (16.79)	0.554 (14.07)	1.637 (41.58)	1.233 (31.32)			
15	1.058 (26.87)	.9375-1P-3L-TS	0.705 (17.91)	0.594 (15.09)	1.817 (46.15)	1.378 (35.00)	4-40	0.060 (1.52)	#16 .060/.064 (1.52/1.63)
18	1.255 (31.88)	1.1250-1P-3L-TS	0.863 (21.92)	0.755 (19.18)	2.096 (53.24)	1.575 (40.00)			
19	1.327 (33.71)	1.1875-1P-3L-TS	0.912 (23.16)	0.805 (20.45)	2.197 (55.80)	1.647 (41.83)			
21	1.452 (36.88)	1.3125-1P-3L-TS	1.017 (25.83)	0.910 (23.11)	2.380 (60.45)	1.772 (45.01)			
23	1.570 (39.88)	1.4375-1P-3L-TS	1.162 (29.51)	1.055 (26.80)	2.541 (64.54)	1.890 (48.01)			

Materials and Finishes

- Shell: aluminum or stainless steel / see how to order table
- Insulators: high-grade rigid dielectric / N.A
- Interfacial seal, O-ring: fluorosilicone rubber, blue
- Contact: copper alloy, gold plate per ASTM B 488, Type II, Code C, Class 1.25 over a suitable underplate
- Potting compound: epoxy

SERIES 805 TRIPLE-START ACME THREAD

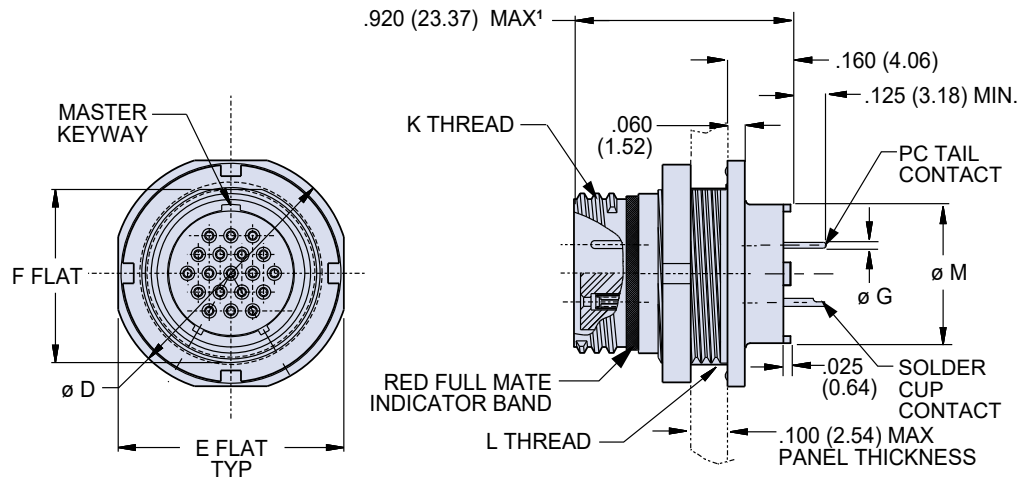


SERIES 805 TRIPLE-START ACME THREAD Mighty Mouse Connectors and Cables



Environmental or Watertight Receptacle with PC Tail or Solder Cup Contacts

JAM-NUT, REAR PANEL MOUNT RECEPTACLE - SHELL STYLE 07



Dimensions							
Shell Size	Ø D	E Flat	F Flat	K Thread	L Thread	Ø M	Ø G Tail Dia.
8	.760 (19.30)	.730 (18.54)	.535 (13.59)	.5000-.1P-.3L-TS	.5625-28 UNEF-2A	.330 (8.38)	
9	.880 (22.35)	.850 (21.59)	.661 (16.79)	.5625-.1P-.3L-TS	.6875-28 UN-2A	.432 (10.97)	
10	.880 (22.35)	.850 (21.59)	.661 (16.79)	.6250-.1P-.3L-TS	.6875-28 UN-2A	.493 (12.52)	#23 .018/.022 (0.46/0.56)
11	.955 (24.26)	.925 (23.50)	.721 (18.31)	.6875-.1P-.3L-TS	.7500-28 UN-2A	.551 (14.00)	
12	1.060 (26.92)	1.035 (26.29)	.784 (19.91)	.7500-.1P-.3L-TS	.8125-28 UN-2A	.620 (15.75)	#20 .024/.028 (0.61/0.71)
13	1.120 (28.45)	1.090 (27.69)	.841 (21.36)	.8125-.1P-.3L-TS	.8750-28 UN-2A	.661 (16.79)	
15	1.203 (30.56)	1.173 (29.79)	.970 (24.64)	.9375-.1P-.3L-TS	1.0000-28 UN-2A	.705 (17.91)	#16 .060/.064 (1.52/1.63)
18	1.389 (35.28)	1.359 (34.52)	1.147 (29.13)	1.1250-.1P-.3L-TS	1.1875-28 UN-2A	.863 (21.92)	
19	1.450 (36.83)	1.420 (36.07)	1.221 (31.01)	1.1875-.1P-.3L-TS	1.2500-28 UN-2A	.912 (23.16)	#12 .092/.096 (2.34/2.44)
21	1.580 (40.13)	1.550 (39.37)	1.348 (34.24)	1.3125-.1P-.3L-TS	1.3750-28 UN-2A	1.017 (25.83)	
23	1.705 (43.31)	1.675 (42.55)	1.470 (37.34)	1.4375-.1P-.3L-TS	1.500-28 UN-2A	1.162 (29.51)	

Materials and Finishes

- Shell, jam-nut: aluminum or stainless steel / see how to order table
- Insulators: high-grade rigid dielectric / N.A
- Interfacial seal, O-ring: fluorosilicone rubber, blue
- Contact: copper alloy, gold plate per ASTM B 488, Type II, Code C, Class 1.25 over a suitable underplate
- Potting compound: epoxy



SERIES 805 TRIPLE-START ACME THREAD Mighty Mouse Connectors and Cables



Rear Panel Mount Jam-Nut Receptacle PCB Connector with PC Tails or Solder Cups



Series 805 Jam-Nut, Rear Panel Mount PC Tail or Solder Cup Receptacle features a choice of stainless steel or aluminum alloy shells. Threaded heli-coil (2-56 x .086) allows for direct board attachment. Available power and signal PC tail or solder cup contacts are gold plated copper alloy and non-removable. Integral .025 (0.64)

standoff allows for board washout. Choose PC tails for attachment to flexible or rigid boards. Select solder cups for direct wire attachment. Connector is back potted and parylene compatible. Mates with all triple start threaded high density series 805 plug connectors with the same polarization and opposite contact gender.

How To Order						
Sample Part Number	805-067	-07	M	8-23	P	A
Series	805-067 = PCB Receptacle with Solder Cup or PC tail Contacts					
Shell Style (See Table I)	-07 = Jam-Nut, Rear Panel Mount Receptacle with Non-Locking Heli-Coils -17 = Jam-Nut, Rear Panel Mount Receptacle with Self-Locking Heli-Coils					
Shell Material and Finish	C = Aluminum / Black Anodize (Non-Conductive); RoHS Compliant M = Aluminum / Electroless Nickel; RoHS Compliant MT = Aluminum / Nickel-PTFE RoHS Compliant NF = Aluminum / Cadmium with Olive Drab Chromate ZNU = Aluminum / Zinc-Nickel with Black Chromate Z1 = Stainless Steel / Passivated; RoHS Compliant					
Shell Size - Insert Arrangement	See Contact Arrangements Page J-6*					
Contact Type	P = Pin, PC Tail S = Socket, PC Tail		E = Pin, Solder Cup F = Socket, Solder Cup			
Polarization (See Table II)	A = Normal B = Pos. B C = Pos. C D = Pos. D E = Pos. E F = Pos. F					

*Power and signal contacts only. For shielded contact applications, consult factory.

Table I: Shell Style

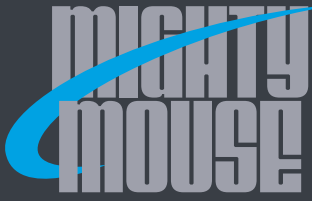
<p>-07 Jam-Nut, Rear Panel Mount with Non-Locking Heli-Coils</p>	<p>-17 Jam-Nut, Rear Panel Mount with Self-Locking Heli-Coils</p>

NOTES

1. Contacts are nonremoveable and connector is back potted
2. Connector receptacle mates with all series 805 triple start thread high density plug connectors with same polarization and opposite contact gender
3. For all #8 arrangements, add .227 (5.77) to overall length
4. See J-11 for panel cut-out dimensions

Table II: Keyway Positions

Position	A°	B°
A (Normal)	150°	210°
B	75°	210°
C	95°	230°
D	140°	275°
E	75°	275°
F	95°	210°

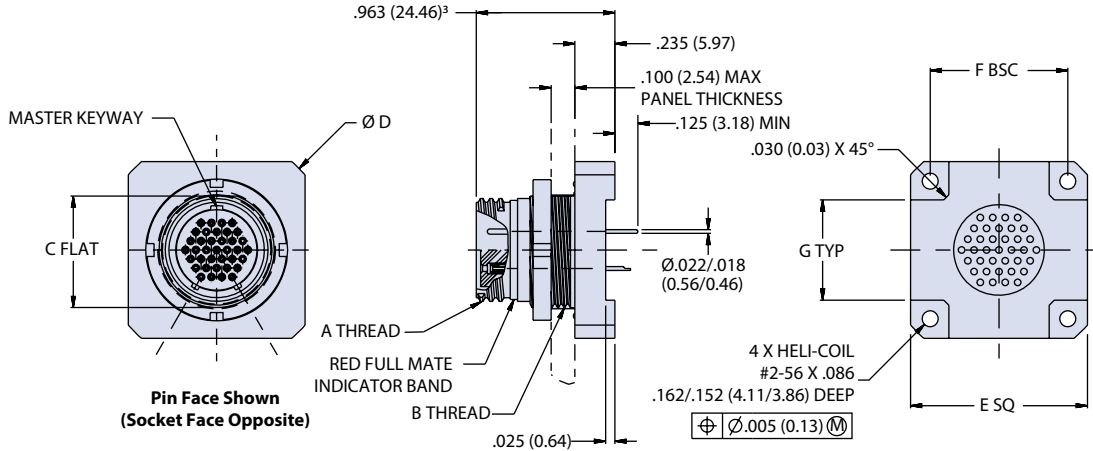


SERIES 805 TRIPLE-START ACME THREAD Mighty Mouse Connectors and Cables



Rear Panel Mount Jam-Nut Receptacle PCB Connector with PC Tails or Solder Cups

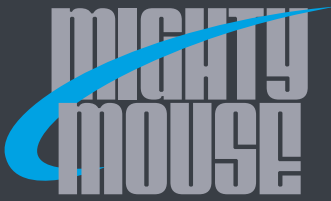
JAM-NUT, REAR PANEL MOUNT RECEPTACLE - SHELL STYLE 07



Dimensions							
Shell Size	A Thread	B Thread	C Flat	Ø D	E SQ	F BSC	G Typ
8	.5000-.1P-.3L-TS	.5625-28 UNEF-2A	.535 (13.59)	.920 (23.37)	.729 (18.52)	.496 (12.60)	.276 (7.01)
9	.5625-.1P-.3L-TS	.6875-28 UN-2A	.661 (16.79)	1.110 (28.19)	.859 (21.82)	.627 (15.93)	.407 (10.34)
10	.6250-.1P-.3L-TS	.6875-28 UN-2A	.661 (16.79)	1.110 (28.19)	.859 (21.82)	.627 (15.93)	.407 (10.34)
11	.6875-.1P-.3L-TS	.7500-28 UN-2A	.721 (18.31)	1.200 (30.48)	.930 (23.62)	.698 (17.73)	.478 (12.14)
12	.7500-.1P-.3L-TS	.8125-28 UN-2A	.784 (19.91)	1.370 (34.80)	1.044 (26.52)	.812 (20.62)	.592 (15.04)
13	.8125-.1P-.3L-TS	.8750-28 UN-2A	.843 (21.41)	1.420 (36.07)	1.085 (27.56)	.853 (21.67)	.633 (16.08)
15	.9375-.1P-.3L-TS	1.0000-28 UN-2A	.970 (24.64)	1.560 (39.62)	1.175 (29.85)	.943 (23.95)	.723 (18.36)
18	1.1250-.1P-.3L-TS	1.1875-28 UN-2A	1.147 (29.13)	1.800 (45.72)	1.351 (34.32)	1.119 (28.42)	.899 (22.83)
19	1.1875-.1P-.3L-TS	1.2500-28 UN-2A	1.221 (31.01)	1.880 (47.75)	1.407 (35.74)	1.175 (29.85)	.955 (24.26)
21	1.3125-.1P-.3L-TS	1.3750-28 UN-2A	1.350 (34.29)	2.090 (53.09)	1.550 (39.37)	1.318 (33.48)	1.098 (27.89)
23	1.4375-.1P-.3L-TS	1.5000-28 UN-2A	1.470 (37.34)	2.270 (57.66)	1.680 (42.67)	1.448 (36.78)	1.228 (31.19)

Material and Finish

- Shell, jam-nut: aluminum alloy or SST / see how to order table
- Insulator: High Grade Rigid Dielectric / N.A.
- Interfacial seal, O-ring, peripheral seal: fluorosilicone / N.A.
- Contact: copper alloy / gold plate per ASTM B 488, Type II, Code C, Class 1.25, over suitable underplate
- Potting compound: epoxy / N.A.



SERIES 805 TRIPLE-START ACME THREAD Mighty Mouse Connectors and Cables



PC Tail or Solder Cup Receptacle with Ground Pins

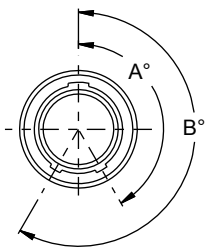


Series 805 PC Tail or Solder Cup Contacts Receptacle with Ground Pins

Connector features copper alloy, gold plated PC tails or solder cup contacts. Ground pins are pressed into the shell body to provide a direct grounding path from the connector shell to the PCB board creating a common ground path for the connector, the panel it is mounted against, and printed circuit board. Modified double-start stub ACME mating thread for improved protection against cross-mating and thread damage. Two shell styles available — rear panel mount jam-nut or front panel mount jam-nut available. PC tail contacts for attachment to flex or rigid circuit boards. Choose solder cups for connections between devices, PCB's and discrete instruments

How To Order	
Sample Part Number	805-054 -07 M 6-4 P A
Series	805-054 = PCB Receptacle with PC Tail or Solder Cup Contacts and Ground Pins
Shell Style	-00 = Jam-Nut, Front Panel Mount -07 = Jam-Nut, Rear Panel Mount
Material and Finish	C = Black Anodize M = Aluminum / Electroless Nickel NF = Aluminum / Cadmium with Olive Drab Chromate ZN = Aluminum / Zinc-Nickel Olive Drab over Electroless Nickel
Shell Size - Insert Arrangement	See Contact Arrangements page E-7
Contact Type	P = Pin, PC Tail E = Pin, Solder Cup S = Socket, PC Tail F = Socket, Solder Cup
Polarization (See Table I)	A = Normal B = Pos. B C = Pos. C D = Pos. D E = Pos. E F = Pos. F

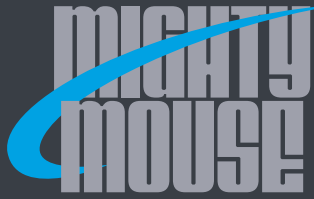
Table I: Keyway Positions



Position	A°	B°
A	150°	210°
B	75°	210°
C	95°	230°
D	140°	275°
E	75°	275°
F	95°	210°

NOTES

1. Contacts are non removable, the connector is back potted
2. This receptacle connector mates with all quick coupling high density plug connectors with same polarization and opposite contact gender (804-101, 804-002)
3. See page J-11 for panel cut-out dimensions
4. Material / finish:
 - Shell, jam-nut: aluminum alloy or CRES / N.A.
 - Insulator: high-grade rigid dielectric
 - Interfacial seal, O-ring: fluorosilicone
 - Contact, ground pins: copper alloy / gold plate per ASTM B 488, Type II, Code C, Class 1.25 (.00005 minimum thickness), over a suitable underplate
 - Potting compound: epoxy / N.A.

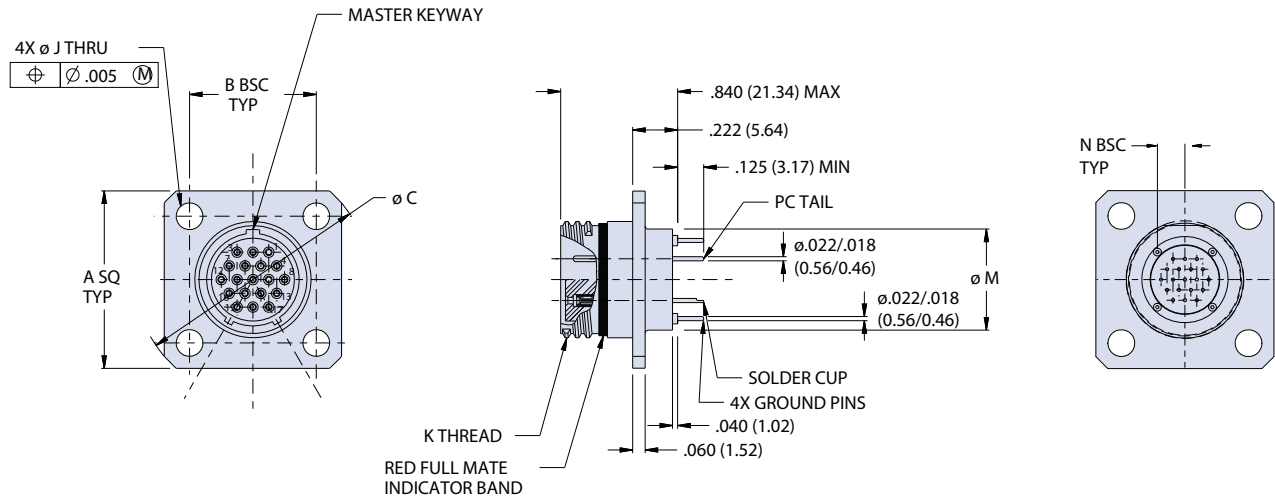


SERIES 805 TRIPLE-START ACME THREAD Mighty Mouse Connectors and Cables



PC Tail or Solder Cup Receptacle with Ground Pins

JAM-NUT, REAR PANEL MOUNT RECEPTACLE - STYLE 07



DIMENSIONS							
SHELL SIZE	A SQ	B BSC	ø C	J HOLES	K THREAD	ø M	N BSC
8	0.850 (21.59)	0.660 (16.76)	1.150 (29.21)	0.096 (2.44) 0.091 (2.31)	.5000-.1P-.3L-TS	0.398	0.109
9	0.913 (23.19)	0.723 (18.36)	1.230 (31.24)		.5625-.1P-.3L-TS	0.486	0.147
10	0.975 (24.76)	0.785 (19.94)	1.330 (33.78)		.6250-.1P-.3L-TS	0.548	0.158
11	1.039 (26.39)	0.848 (21.54)	1.410 (35.81)		.6875-.1P-.3L-TS	0.606	0.179
12	1.099 (27.91)	0.909 (23.09)	1.500 (38.10)		.7500-.1P-.3L-TS	0.675	0.202
13	1.163 (29.54)	0.973 (24.71)	1.590 (40.39)		.8125-.1P-.3L-TS	0.716	0.222
15	1.288 (32.72)	1.058 (26.87)	1.750 (44.45)		.9375-.1P-.3L-TS	0.758	0.239
18	1.475 (37.47)	1.255 (31.88)	2.000 (50.80)	0.130 (3.30) 0.126 (3.20)	1.1250-.1P-.3L-TS	0.918	0.296
19	1.537 (39.04)	1.327 (33.71)	2.094 (53.19)		1.1875-.1P-.3L-TS	0.967	0.313
21	1.663 (42.24)	1.452 (36.88)	2.270 (57.66)		1.3125-.1P-.3L-TS	1.072	0.350
23	1.787 (45.39)	1.570 (39.88)	2.440 (61.98)		1.4375-.1P-.3L-TS	1.215	0.401

SERIES 805 TRIPLE-START ACME THREAD

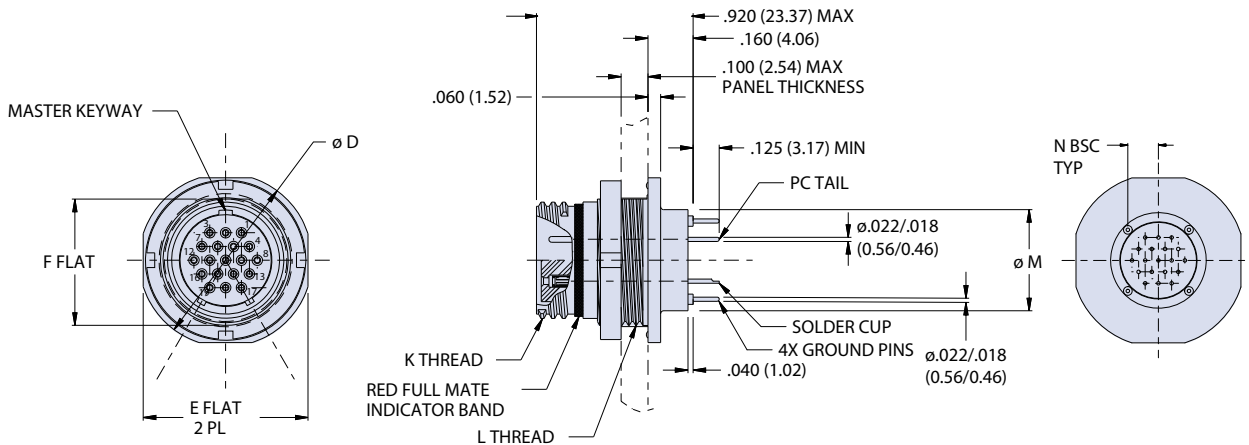


SERIES 805 TRIPLE-START ACME THREAD Mighty Mouse Connectors and Cables



PC Tail or Solder Cup Receptacle with Ground Pins

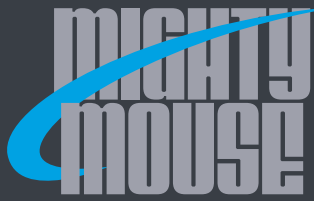
JAM-NUT, REAR PANEL MOUNT RECEPTACLE - STYLE 07



DIMENSIONS

SHELL SIZE	ϕD	E FLAT	F FLAT	K THREAD	L THREAD	ϕM	N BSC
8	0.760 (19.30)	0.730 (18.54)	0.535 (13.59)	.5000-.1P-.3L-TS	.5625-.28 UNEF-2A	0.398	0.109
9	0.880 (22.35)	0.850 (21.59)	0.661 (16.79)	.5625-.1P-.3L-TS	.6875-.28 UN-2A	0.486	0.147
10	0.880 (22.35)	0.850 (21.59)	0.661 (16.79)	.6250-.1P-.3L-TS	.6875-.28 UN-2A	0.548	0.158
11	0.955 (24.26)	0.925 (23.50)	0.721 (18.31)	.6875-.1P-.3L-TS	.7500-.28 UN-2A	0.606	0.179
12	1.060 (26.92)	1.035 (26.29)	0.784 (19.91)	.7500-.1P-.3L-TS	.8125-.28 UN-2A	0.675	0.202
13	1.120 (28.45)	1.090 (27.69)	0.841 (21.36)	.8125-.1P-.3L-TS	.8750-.28 UN-2A	0.716	0.222
15	1.203 (30.56)	1.173 (29.79)	0.970 (24.64)	.9375-.1P-.3L-TS	1.0000-.28 UN-2A	0.758	0.239
18	1.389 (35.28)	1.359 (34.52)	1.147 (29.13)	1.1250-.1P-.3L-TS	1.1875-.28 UN-2A	0.918	0.296
19	1.450 (36.83)	1.420 (36.07)	1.221 (31.01)	1.1875-.1P-.3L-TS	1.2500-.28 UN-2A	0.967	0.313
21	1.580 (40.13)	1.550 (39.37)	1.348 (34.24)	1.3125-.1P-.3L-TS	1.3750-.28 UN-2A	1.072	0.350
23	1.705 (43.31)	1.675 (42.55)	1.470 (37.34)	1.4375-.1P-.3L-TS	1.5000-.28 UN-2A	1.215	0.401

SERIES 805 TRIPLE-START ACME THREAD



SERIES 805 TRIPLE-START ACME THREAD Mighty Mouse Connectors and Cables



Right Angle PC Tail Jam-Nut Mount PCB Header Receptacle



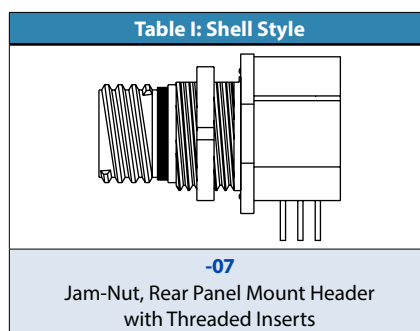
Right Angle PCB Header Receptacle Connectors offer military grade performance in a small, lightweight package. These connectors are rated for MIL-STD-810 Method 512 immersion. High temperature thermoplastic housing withstands soldering temperatures. Stainless steel threaded inserts simplify attachment to printed circuit board.

- Triple-Start ACME Thread
- Right Angle Contacts
- High Temperature Housing
- Threaded Inserts
- Environmentally Sealed

How To Order	
Sample Part Number	805-011 -07 M 8-7 S A
Series	805-011 = Right Angle PCB Header Receptacle
Shell Style	-07 = Jam-Nut, Rear Panel Mount (See Table II)
Shell Material and Finish	C = Aluminum / Black Anodize (Non-Conductive); RoHS Compliant M = Aluminum / Electroless Nickel; RoHS Compliant NF = Aluminum / Cadmium with Olive Drab Chromate ZNU = Aluminum / Zinc-Nickel with Black Chromate Z1 = Stainless Steel / Passivated; RoHS Compliant
Shell Size - Insert Arrangement	8-1, 8-4, 8-6, 8-7, 9-1, 9-10, 10-2, 10-13, 11-4, 11-19, 11-200, 12-2, 12-5, 12-201; see J-33 to J-35 for PCB footprints
Contact Type	P = Pin, PC Tail S = Socket, PC Tail
Polarization(See Table I)	A = Normal B = Pos. B C = Pos. C D = Pos. D E = Pos. E F = Pos. F

Table I: Polarization

Position	A°	B°
A (Normal)	150°	210°
B	75°	210°
C	95°	230°
D	140°	275°
E	75°	275°
F	95°	210°



NOTES

1. Torque 2-56 screws to 20-25 in/oz with Loc-Tite recommended
2. For shell sizes 11 and 12, 2-56 start of thread is .150 +.000/-.050 below surface and mounting hole depth is .350
3. For shell sizes 8-10, 2-56 start of thread is .100 +.000/-.050 below surface
4. See page J-11 for recommended panel cut-outs
5. Material and Finish
 - Shell, jam-nut: aluminum alloy or CRES / see how to order table
 - Insulator: High Grade Rigid Dielectric/ N.A.
 - Interfacial seal, O-ring: fluorosilicone / N.A.
 - Contact: copper alloy / gold plate per ASTM B 488, Type II, Code C, Class 1.25, over suitable underplate
 - Potting compound: epoxy / N.A.

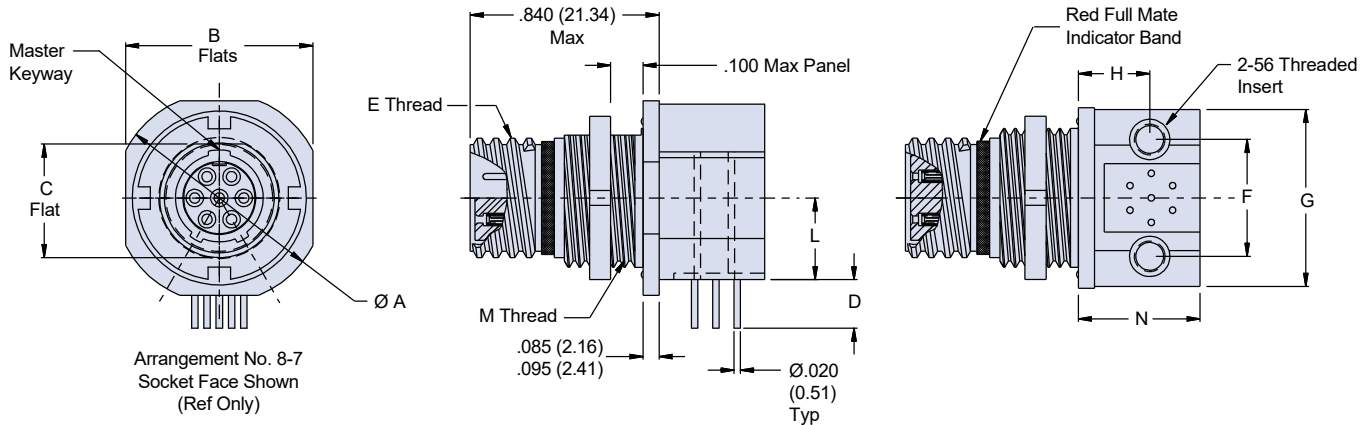


SERIES 805 TRIPLE-START ACME THREAD Mighty Mouse Connectors and Cables



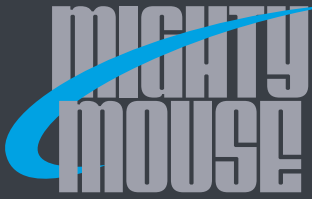
Right Angle PC Tail Jam-Nut Mount PCB Header Receptacle

JAM-NUT MOUNT RECEPTACLE - SHELL STYLE 07



Dimensions											
Shell Size	A	B	C ± .002 (0.05)	D ±.035 (0.89)	E Thread .1P-.3L- TS	F	G	H ±.055	L	M Thread	N
8-1	.760 (19.30)	.730 (18.54)	.536 (13.61)	.292 (7.42)	.5000	.385 (9.78)	.589 (14.96)	.385 (9.78)	.225 (5.72)	.5625-28 UN-2A	.435 (11.05)
8-23	.760 (19.30)	.730 (18.54)	.536 (13.61)	.305 (7.75)	.5000	.385 (9.78)	.385 (9.78)	.385 (9.78)	.225 (5.72)	.5625-28 UN-2A	.435 (11.05)
8-4	.760 (19.30)	.730 (18.54)	.536 (13.61)	.292 (7.42)	.5000	.385 (9.78)	.589 (14.96)	.314 (7.98)	.225 (5.72)	.5625-28 UN-2A	.435 (11.05)
8-6 8-7	.760 (19.30)	.730 (18.54)	.536 (13.61)	.265 (6.73)	.5000	.408 (10.36)	.589 (14.96)	.277 (7.04)	.225 (5.72)	.5625-28 UN-2A	.435 (11.05)
9-1	.880 (22.35)	.850 (21.59)	.662 (16.81)	.273 (6.93)	.5625	.452 (11.48)	.710 (18.03)	.260 (6.60)	.296 (7.52)	.6875-28 UN-2A	.435 (11.05)
9-10	.880 (22.35)	.850 (21.59)	.662 (16.81)	.273 (6.93)	.5625	.452 (11.48)	.710 (18.03)	.260 (6.60)	.296 (7.52)	.6875-28 UN-2A	.435 (11.05)
10-2	.880 (22.35)	.850 (21.59)	.664 (16.87)	.305 (7.75)	.6250	.490 (12.45)	.710 (18.03)	.320 (8.13)	.320 (8.13)	.6875-28 UN-2A	.580 (14.73)
10-13	.880 (22.35)	.850 (21.59)	.662 (16.81)	.305 (7.75)	.6250	.490 (12.45)	.710 (18.03)	.320 (8.13)	.320 (8.13)	.6875-28 UN-2A	.580 (14.73)
11-4	.952 (24.18)	.925 (23.50)	.722 (18.34)	.24 (6.10)	.6875	.600 (15.24)	.800 (20.32)	.432 (10.97)	.362 (9.19)	.7500-28 UN-2A	.580 (14.73)
11-19	.952 (24.18)	.925 (23.50)	.722 (18.34)	.275 (6.99)	.6875	.600 (15.24)	.800 (20.32)	.432 (10.97)	.362 (9.19)	.7500-28 UN-2A	.580 (14.73)
11-200	.952 (24.18)	.925 (23.50)	.722 (18.34)	.255 (6.48)	.6875	.600 (15.24)	.800 (20.32)	.432 (10.97)	.362 (9.19)	.7500-28 UN-2A	.580 (14.73)
12-2	1.06 (26.92)	1.035 (26.29)	.784 (19.91)	.299 (7.59)	.7500	.640 (16.26)	.840 (21.34)	.452 (11.48)	.397 (10.08)	.8125-28 UN-2A	.660 (16.76)
12-5	1.06 (26.92)	1.035 (26.29)	.784 (19.91)	.255 (6.48)	.7500	.640 (16.26)	.840 (21.34)	.452 (11.48)	.397 (10.08)	.8125-28 UN-2A	.660 (16.76)
12-201	1.06 (26.92)	1.035 (26.29)	.784 (19.91)	.294 (7.47)	.7500	.640 (16.26)	.840 (21.34)	.452 (11.48)	.397 (10.08)	.8125-28 UN-2A	.660 (16.76)

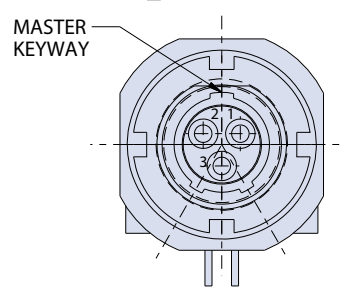
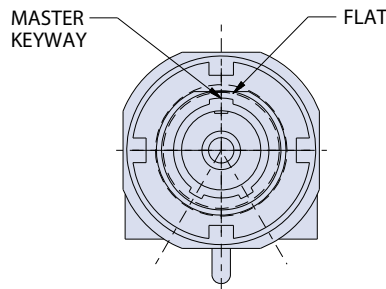
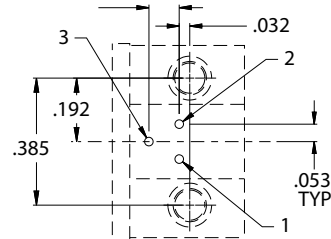
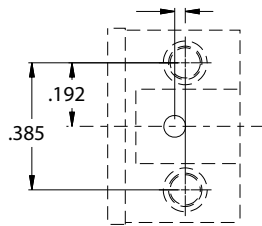
SERIES 805 TRIPLE-START ACME THREAD



SERIES 805 TRIPLE-START ACME THREAD Mighty Mouse Connectors and Cables

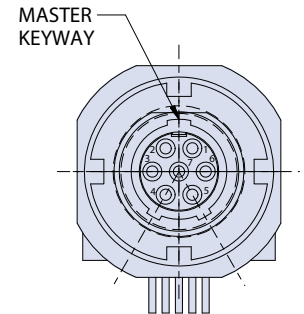
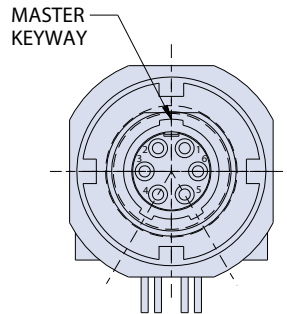
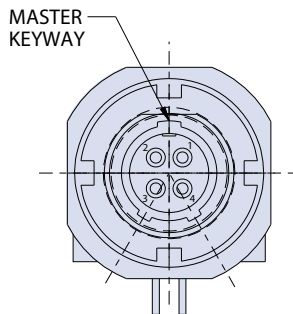
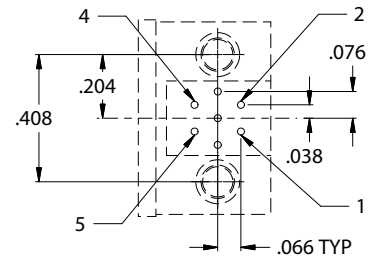
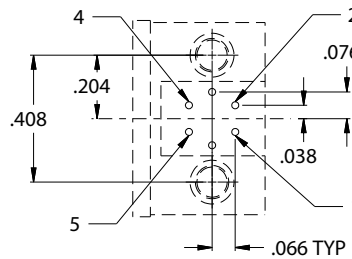
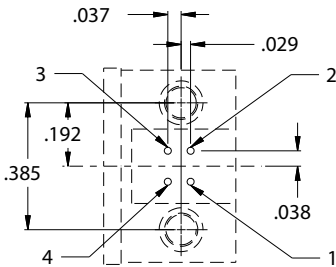


Right Angle PC Tail Jam-Nut Mount PCB Header Receptacle; PCB Footprints



ARRANGEMENT NO. 8-1
(1 #16 CONTACT)
SOCKET FACE SHOWN
(PIN FACE OPPOSITE)

ARRANGEMENT NO. 8-23
(3 #20HD CONTACTS)
SOCKET FACE SHOWN
(PIN FACE OPPOSITE)



ARRANGEMENT NO. 8-4
(4 #23 CONTACTS)
SOCKET FACE SHOWN
(PIN FACE OPPOSITE)

ARRANGEMENT NO. 8-6
(6 #23 CONTACTS)
SOCKET FACE SHOWN
(PIN FACE OPPOSITE)

ARRANGEMENT NO. 8-7
(7 #23 CONTACTS)
SOCKET FACE SHOWN
(PIN FACE OPPOSITE)

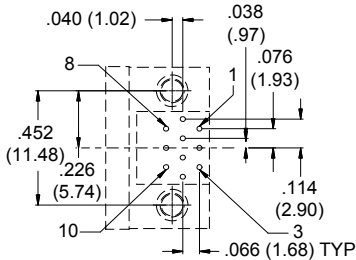
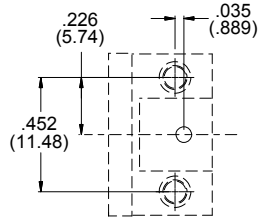
SERIES 805 TRIPLE-START ACME THREAD



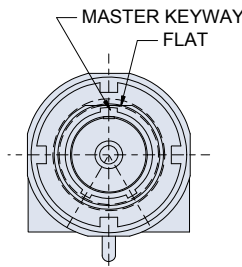
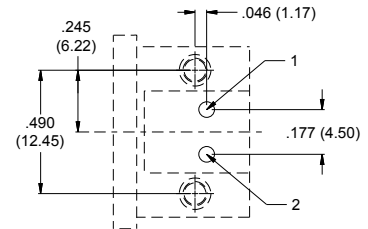
SERIES 805 TRIPLE-START ACME THREAD Mighty Mouse Connectors and Cables



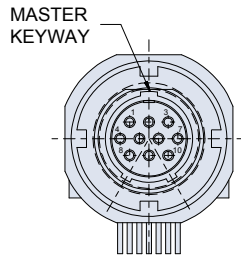
Right Angle PC Tail Jam-Nut Mount PCB Header Receptacle; PCB Footprints



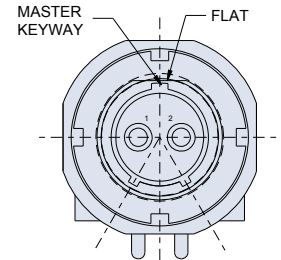
PCB FOOTPRINT



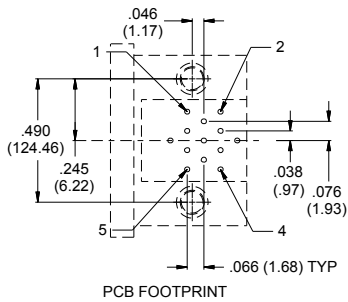
ARRANGEMENT NO. 9-1
(1 #12 CONTACT)
SOCKET FACE SHOWN
(PIN FACE OPPOSITE)



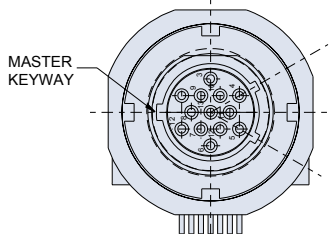
ARRANGEMENT NO. 9-10
(10 #23 CONTACTS)
SOCKET FACE SHOWN
(PIN FACE OPPOSITE)



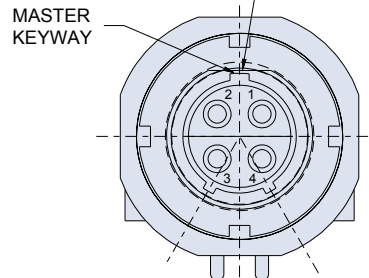
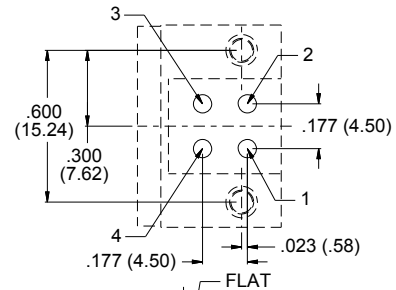
ARRANGEMENT NO. 10-2
(2 #16 CONTACTS)
SOCKET FACE SHOWN
(PIN FACE OPPOSITE)



PCB FOOTPRINT

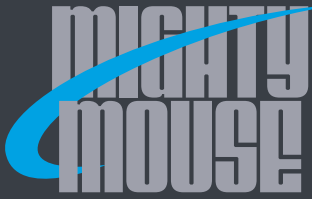


ARRANGEMENT NO. 10-13
(13 #23 CONTACTS)
SOCKET FACE SHOWN
(PIN FACE OPPOSITE)



ARRANGEMENT NO. 11-4
(4 #16 CONTACTS)
SOCKET FACE SHOWN
(PIN FACE OPPOSITE)

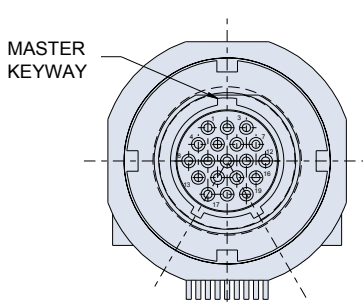
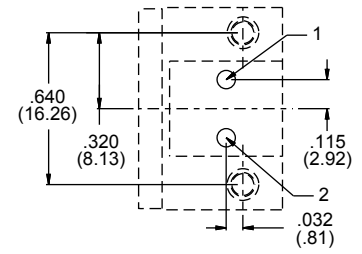
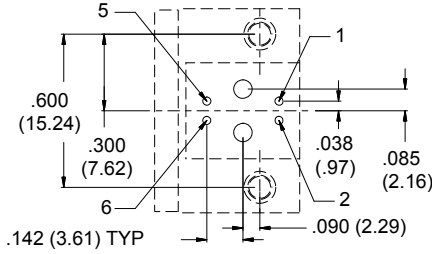
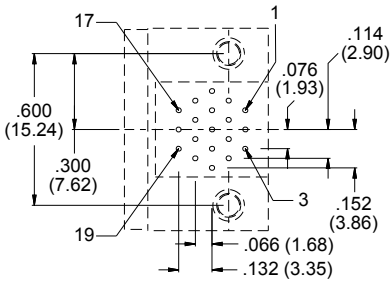
SERIES 805 TRIPLE-START ACME THREAD



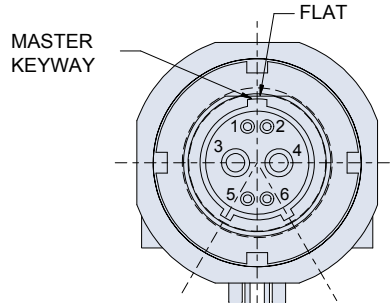
SERIES 805 TRIPLE-START ACME THREAD Mighty Mouse Connectors and Cables



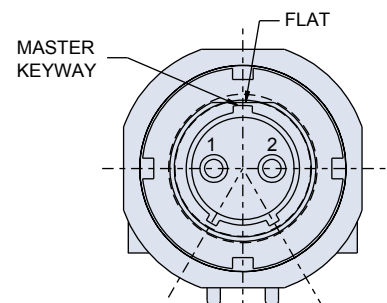
Right Angle PC Tail Jam-Nut Mount PCB Header Receptacle; PCB Footprints



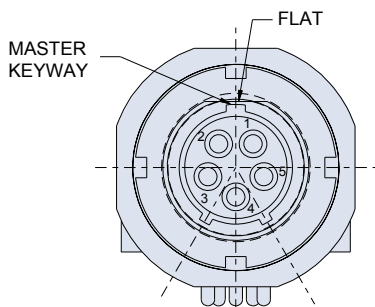
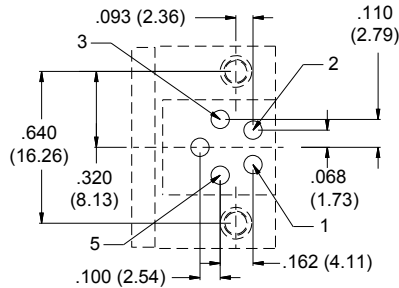
ARRANGEMENT NO. 11-19
(19 #23 CONTACTS)
SOCKET FACE SHOWN



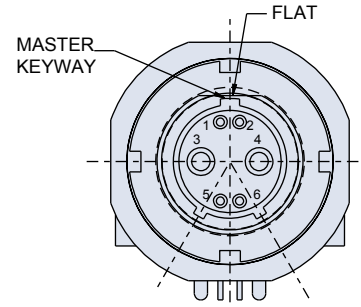
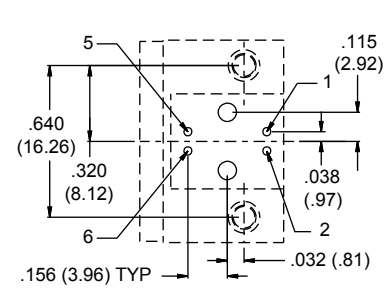
ARRANGEMENT NO. 11-200
(2 #16, 4 #23 CONTACTS)
SOCKET FACE SHOWN
PIN FACE OPPOSITE)



ARRANGEMENT NO. 12-2
(2 #12 CONTACTS)
SOCKET FACE SHOWN



ARRANGEMENT NO. 12-5
(5 #16 CONTACTS)
SOCKET FACE SHOWN



ARRANGEMENT NO. 12-201
(2 #12, 4 #23 CONTACTS)
SOCKET FACE SHOWN
(PIN FACE OPPOSITE)

SERIES 805 TRIPLE-START ACME THREAD



SERIES 805 TRIPLE-START ACME THREAD Mighty Mouse Connectors and Cables



Code Red Lightweight, Hermetic Jam-Nut Receptacle with PC Tails or Solder Cup Contacts

CODE RED™

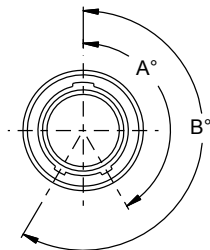


Series 805 Code Red Hermetic Receptacles feature solder cup contacts for direct wire attachment or PC tails for PC board termination. Signature encapsulant allows for use of standard gold plated, copper alloy pin and and socket contacts with better electrical performance over traditional hermetic nickel-iron contacts. Light weight, aluminum shells styles include square flange, solder mount, jam-nut, and weld mount. Connectors are 100% tested to meet 1×10^{-7} ccHe/sec at 1 atm helium leak rate. Contacts are non-removable, back potted, and parylene compatible. Consult factory for hybrid shielded contact / coax arrangements.

How To Order		805-140	ME	13-37	P	A
Sample Part Number						
Series	805-140-07 = Code Red Light Weight Hermetic Connector					
Material and Finish	ME = Aluminum Alloy / Nickel Plate					
Shell Size - Insert Arrangement	Shell Size: 8, 9, 10, 11, 12, 13, 15, 18, 19, 21, 23; See page J-6 for available insert arrangements*					
Contact Type Jam-Nut Side	P = Pin, PC Tail E = Pin, Solder Cup S = Socket, PC Tail F = Socket, Solder Cup					
Polarization (See Table II)	A = Normal B = Pos. B C = Pos. C D = Pos. D E = Pos. F F = Pos. F					

*Power and signal contacts only. For shielded contact applications, consult factory.

Table II: Key Positions

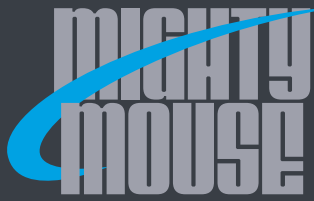


Position	A	B
A (Normal)	150°	210°
B	75°	210°
C	95°	230°
D	140°	275°
E	75°	275°
F	95°	210°

NOTES

- This connector mates with all 805 plug connectors with same polarization and opposite contact gender 805-001, 805-002, and 805-061
- Connector shall not be used in liquid environment
- Temperature range: -65°C to +200°C
- Hermeticity is less than 1×10^{-7} ccHe/second at one atmosphere
- DWV: 750 VAC @ sea level
- IR: 5,000 megohms @ 500 VDC minimum, room temperature
- Sealing compound employed has been tested and meets all applicable performance requirements of MIL-DTL-38999/23. See Glenair test report GT-16-233
- See page J-11 for recommended panel cut-outs
- Material/Finish:
 - Shell, jam-nut: aluminum alloy / nickel plate
 - Insulator: high grade rigid electric
 - Elastomer: fluorosilicone
 - O-ring: butyl / N.A.
 - Contacts: copper alloy / gold plate
 - Seal compound: epoxy and silicone base encapsulants

SERIES 805 TRIPLE-START ACME THREAD

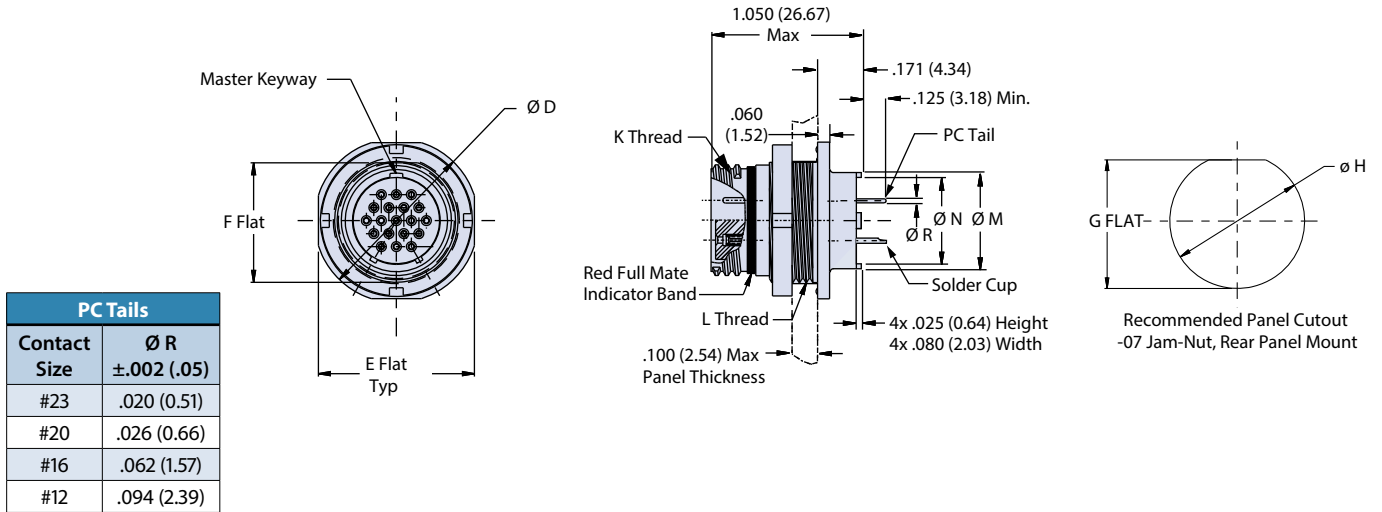


SERIES 805 TRIPLE-START ACME THREAD Mighty Mouse Connectors and Cables



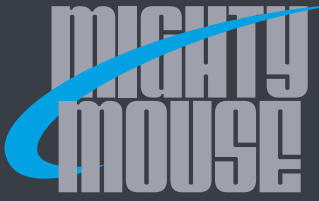
Code Red Lightweight, Hermetic Jam-Nut Receptacle with PC Tails or Solder Cup Contacts

JAM-NUT MOUNT RECEPTACLE - SHELL STYLE 07



Dimensions									
Shell Size	Ø D	E Flat	F Flat	K Thread	L Thread	Ø M	Ø N Min	Jam-Nut Cutout	
								G Flat	Ø H
8	.760 (19.30)	.730 (18.54)	.535 (13.59)	.5000 -1P-.3L-TS	.5625 -28 UN-2A	.330 (8.38)	.230 (5.84)	.545 (13.84) .541 (13.74)	.572 (14.53) .567 (14.40)
9	.880 (22.35)	.850 (21.59)	.661 (16.79)	.5625 -1P-.3L-TS	.6875 -28 UN-2A	.432 (10.97)	.322 (8.18)	.671 (17.04) .667 (16.94)	.698 (17.73) .693 (17.60)
10	.880 (22.35)	.850 (21.59)	.661 (16.79)	.6250 -1P-.3L-TS	.6875 -28 UN-2A	.493 (12.52)	.386 (9.80)	.671 (17.04) .667 (16.94)	.698 (17.73) .693 (17.60)
11	.955 (24.26)	.925 (23.50)	.721 (18.31)	.6875 -1P-.3L-TS	.7500 -28 UN-2A	.553 (14.05)	.442 (11.23)	.731 (18.57) .727 (18.47)	.760 (19.30) .755 (19.18)
12	1.060 (26.92)	1.035 (26.29)	.784 (19.91)	.7500 -1P-.3L-TS	.8125 -28 UN-2A	.620 (15.75)	.513 (13.03)	.794 (20.17) .790 (20.07)	.822 (20.88) .817 (20.75)
13	1.120 (28.45)	1.090 (27.69)	.843 (21.41)	.8125 -1P-.3L-TS	.8750 -28 UN-2A	.661 (16.79)	.554 (14.07)	.853 (21.67) .849 (21.56)	.885 (22.48) .880 (22.35)
15	1.203 (30.56)	1.173 (29.79)	.970 (24.64)	.9375 -1P-.3L-TS	1.0000 -28 UN-2A	.703 (17.86)	.594 (15.09)	.980 (24.89) .976 (24.79)	1.3010 (33.05) 1.005 (25.53)
18	1.389 (35.28)	1.359 (34.52)	1.147 (29.13)	1.1250 -1P-.3L-TS	1.1875 -28 UN-2A	.863 (21.92)	.750 (19.05)	1.157 (29.39) 1.153 (29.29)	1.198 (30.43) 1.193 (30.30)
19	1.450 (36.83)	1.420 (36.07)	1.221 (31.01)	1.1875 -1P-.3L-TS	1.2500 -28 UN-2A	.912 (23.16)	.805 (20.45)	1.231 (31.27) 1.227 (31.17)	1.260 (32.00) 1.255 (31.88)
21	1.58 (40.13)	1.550 (39.37)	1.350 (34.29)	1.3125 -1P-.3L-TS	1.3750 -28 UN-2A	1.017 (25.83)	.910 (23.11)	1.360 (34.54) 1.356 (34.44)	1.385 (35.18) 1.380 (35.05)
23	1.705 (43.31)	1.675 (42.55)	1.470 (37.34)	1.4375 -1P-.3L-TS	1.5000 -28 UN-2A	1.162 (29.51)	1.050 (26.67)	1.480 (37.59) 1.476 (37.49)	1.510 (38.35) 1.505 (38.23)

SERIES 805 TRIPLE-START ACME THREAD



SERIES 805 TRIPLE-START ACME THREAD Mighty Mouse Connectors and Cables



Glass-Sealed Hermetic Receptacle with PC Tails or Solder Cup Contacts



Series 805 Hermetic Receptacles

Glass-to-metal seal hermetic connectors feature solder cup contacts for direct wire attachment or PC tails for PC board termination. Contacts are gold plated, nickel alloy pin contacts and copper alloy socket contacts. Shell styles include square flange, solder mount, jam-nut, and weld mount. Connectors are 100% tested to meet 1×10^{-7} ccHe/sec at 1 atm helium leak rate. Contacts are non-removable, back potted, and parylene compatible. Consult factory for additional arrangements.

How To Order	
Sample Part Number	805-006 -02 Z1 8-7 P A
Series	805-006 = Hermetic Receptacle with Solder Cups
Shell Style (See Table I)	-02 = Square Flange, Front or Rear Mount Receptacle -03 = Solder Mount Receptacle -07 = Jam-Nut, Rear Panel Mount Receptacle -13 = Weld Mount, Front Panel Mount Receptacle
Material and Finish	Z1 = Stainless Steel / Passivated ZB = Stainless Steel / Olive Drab Chromate over Cadmium ZC = Stainless Steel / Zinc Cobalt Alloy/Black Chromate ZL = Stainless Steel / Electrodeposited Nickel
Shell Size - Insert Arrangement	See page J-6*
Contact Type	P = Pin, Solder Cup S = Socket, Solder Cup C = Pin, P.C. Termination D = Socket, P.C. Termination
Shell Key Positions (See Table II)	A = Normal B = Pos. B C = Pos. C D = Pos. D E = Pos. F F = Pos. F

*Power and signal contacts only. For shielded contact applications, see P/N 805-130

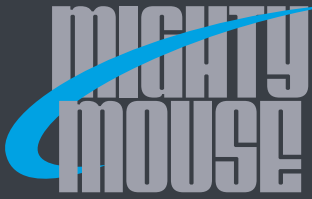
Table I: Shell Style	
-02 Square Flange	-07 Jam-Nut
-03 Solder Mount	-13 Weld Mount

DWV Rating	
Contact Sizes	Test Voltage
23	750 Vac
20 HD	1000 Vac
16, 12, 8	1800 Vac

Table II: Key Positions		
Position	A	B
A (Normal)	150°	210°
B	75°	210°
C	95°	230°
D	140°	275°
E	75°	275°
F	95°	210°

NOTES

- This connector mates with all quick coupling high density plug connectors with same polarization and opposite contact gender 805-001, 805-002
- For additional insert arrangements consult factory
- Contacts are non removable and connector is back potted
- Hermeticity is less than 1×10^{-7} ccHe/second at one atmosphere
- See page J-11 for recommended panel cut-outs
- Material/Finish:
 - Shell, jam-nut: CRES / passivate or plate as required
 - Contacts, hermetic: alloy 52 / gold plate
 - Contacts, socket: copper alloy / gold plate
 - Seals: fluorosilicone / N.A.
 - Insulator, hermetic: fused glass / N.A.
 - Insulator, socket: rigid dielectric / N.A.



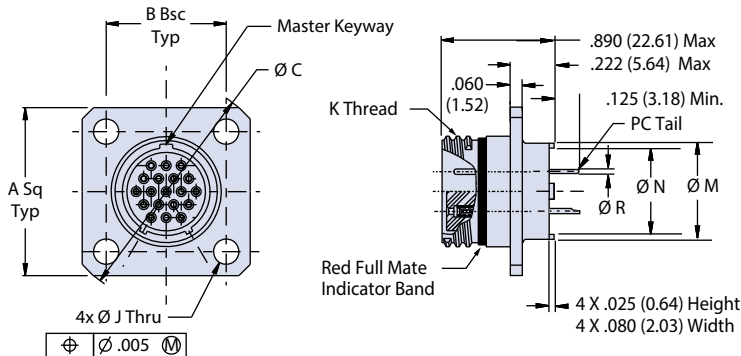
SERIES 805 TRIPLE-START ACME THREAD Mighty Mouse Connectors and Cables



Glass-Sealed Hermetic Receptacle with PC Tails or Solder Cup Contacts

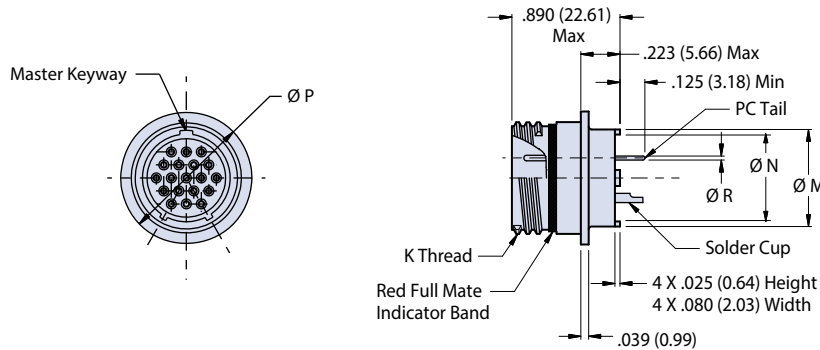
SQUARE FLANGE RECEPTACLE - SHELL STYLE 02

PC Tails	
Contact Size	Ø R ±.002 (.05)
#23	.020 (0.51)
#20	.026 (0.66)
#16	.062 (1.57)
#12	.094 (2.39)



SOLDER MOUNT RECEPTACLE - SHELL STYLE 03

PC Tails	
Contact Size	Ø R ±.002 (.05)
#23	.020 (0.51)
#20	.026 (0.66)
#16	.062 (1.57)
#12	.094 (2.39)



Dimensions											
Shell Size	A Sq	B Bsc	Ø C	J Holes	K Thread .1P-.3L-TS	Ø M	Ø N Min	Ø P	H BSC	Square Flange Cutout	
										J Holes	Ø P
8	.850 (21.59)	.660 (16.76)	1.150 (29.21)	.096 (2.44)	.5000	.330 (8.38)	.230 (5.84)	.625 (15.88)	.660 (16.76)	.096 (2.43)	.515 (13.08)
9	.913 (23.19)	.723 (18.36)	1.230 (31.24)		.5625	.432 (10.97)	.322 (8.18)	.688 (17.48)	.723 (18.36)		.578 (14.68)
10	.975 (24.76)	.785 (19.94)	1.330 (33.78)		.6250	.493 (12.52)	.386 (9.80)	.750 (19.05)	.785 (19.94)		.640 (16.26)
11	1.039 (26.39)	.848 (21.54)	1.410 (35.81)		.6875	.553 (14.05)	.442 (11.23)	.812 (20.62)	.848 (21.54)		.703 (17.86)
12	1.099 (27.91)	.909 (23.09)	1.500 (38.10)	.091 (2.31)	.7500	.620 (15.75)	.513 (13.03)	.875 (22.23)	.909 (23.09)	.091 (2.31)	.765 (19.43)
13	1.163 (29.54)	.973 (24.71)	1.590 (40.39)		.8125	.661 (16.79)	.554 (14.07)	.938 (23.83)	.973 (24.71)		.828 (21.03)
15	1.288 (32.72)	1.058 (26.87)	1.750 (44.45)		.9375	.703 (17.86)	.594 (15.09)	1.062 (26.97)	1.058 (26.87)		.953 (24.21)
18	1.475 (37.47)	1.255 (31.88)	2.000 (50.80)		.130 (3.30)	1.1250	.863 (21.92)	.750 (19.05)	1.250 (31.75)		1.255 (31.88)
19	1.537 (39.04)	1.327 (33.71)	2.094 (53.19)	.126 (3.20)	1.1875	.912 (23.16)	.805 (20.45)	1.312 (33.32)	1.327 (33.71)	.126 (3.20)	1.203 (3.56)
21	1.663 (42.24)	1.452 (36.88)	2.270 (57.66)		1.3125	1.017 (25.83)	.910 (23.11)	1.438 (36.53)	1.452 (36.88)		1.328 (33.73)
23	1.787 (45.39)	1.576 (40.03)	2.440 (61.98)		1.4375-	1.162 (29.51)	1.050 (26.67)	1.562 (39.67)	1.570 (39.88)		1.453 (36.91)

SERIES 805 TRIPLE-START ACME THREAD

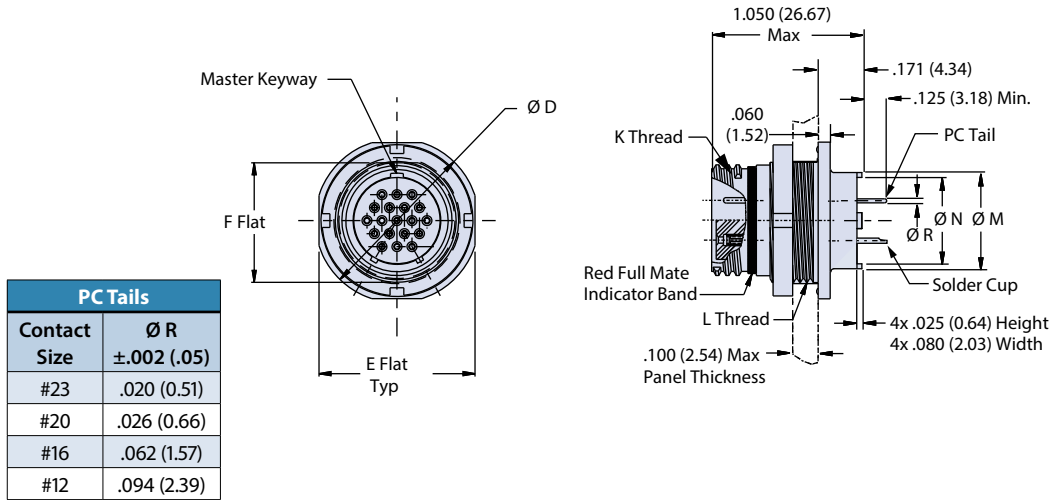


SERIES 805 TRIPLE-START ACME THREAD Mighty Mouse Connectors and Cables

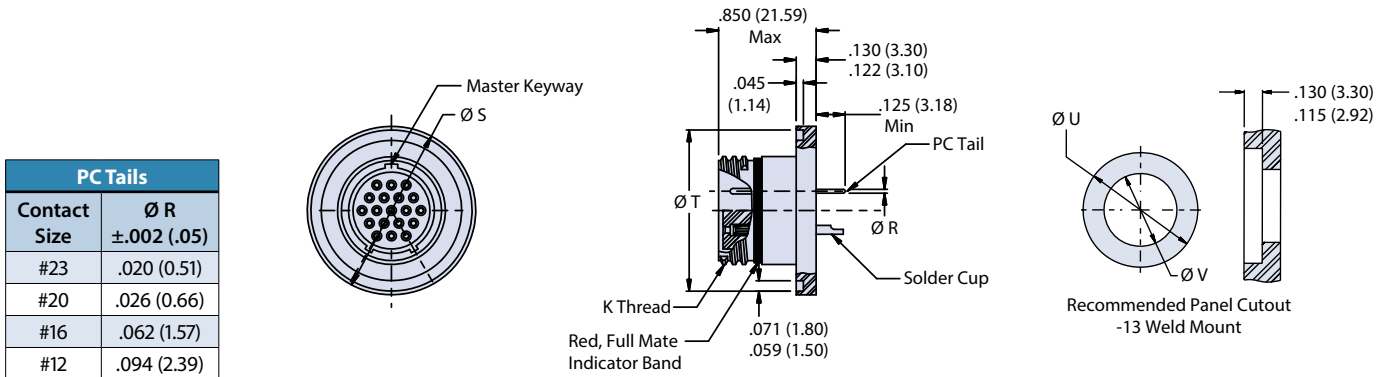


Glass-Sealed Hermetic Receptacle with PC Tails or Solder Cup Contacts

JAM-NUT MOUNT RECEPTACLE - SHELL STYLE 07

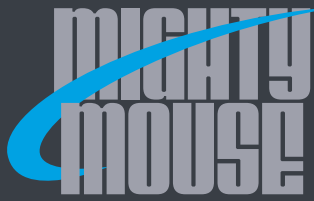


WELD MOUNT RECEPTACLE - SHELL STYLE 13



Dimensions												
Shell Size	Ø D	E Flat	F Flat	K Thread -1P-.3L- TS	L Thread -28 UN-2A	Ø M	Ø N Min	Ø S ±.002	Jam-Nut Cutout		Weld Mount Cutout	
									G Flat ±.002(.05)	Ø H +.005 (+.13) -.000 (-.00)	Ø U ±.003 (0.08)	Ø V Min
8	.760 (19.30)	.730 (18.54)	.535 (13.59)	.5000	.5625	.330 (8.38)	.230 (5.84)	.788 (20.02)	.543 (13.79)	.567 (14.40)	0.794 (20.17)	.350 (8.89)
9	.880 (22.35)	.850 (21.59)	.661 (16.79)	.5625	.6875	.432 (10.97)	.322 (8.18)	.912 (23.16)	.669 (16.99)	.693 (17.60)	0.918 (23.32)	.455 (11.56)
10	.880 (22.35)	.850 (21.59)	.661 (16.79)	.6250	.6875	.493 (12.52)	.386 (9.80)	.975 (24.76)	.669 (16.99)	.693 (17.60)	0.981 (24.92)	.520 (13.21)
11	.955 (24.26)	.925 (23.50)	.721 (18.31)	.6875	.7500	.553 (14.05)	.442 (11.23)	1.038 (26.37)	.729 (18.52)	.755 (19.18)	1.044 (26.52)	.575 (14.60)
12	1.060 (26.92)	1.035 (26.29)	.784 (19.91)	.7500	.8125	.620 (15.75)	.513 (13.03)	1.100 (27.94)	.792 (20.12)	.817 (20.75)	1.106 (28.09)	.650 (16.51)
13	1.120 (28.45)	1.090 (27.69)	.843 (21.41)	.8125	.8750	.661 (16.79)	.554 (14.07)	1.162 (29.51)	.849 (21.56)	.881 (22.38)	1.168 (29.67)	.685 (17.40)
15	1.203 (30.56)	1.173 (29.79)	.970 (24.64)	.9375	1.0000	.703 (17.86)	.594 (15.09)	1.288 (32.72)	.978 (24.84)	1.005 (25.53)	1.294 (32.87)	.730 (18.54)
18	1.389 (35.28)	1.359 (34.52)	1.147 (29.13)	1.1250	1.1875	.863 (21.92)	.750 (19.05)	1.475 (37.47)	1.155 (29.34)	1.193 (30.30)	1.481 (37.62)	.890 (22.61)
19	1.450 (36.83)	1.420 (36.07)	1.221 (31.01)	1.1875	1.2500	.912 (23.16)	.805 (20.45)	1.540 (39.12)	1.229 (31.22)	1.255 (31.88)	1.546 (39.27)	.940 (23.88)
21	1.58 (40.13)	1.550 (39.37)	1.35 (34.29)	1.3125	1.3750	1.017 (25.83)	.910 (23.11)	1.665 (42.29)	1.356 (34.44)	1.383 (35.13) 1.381 (35.08)	1.671 (42.44)	1.040 (26.42)
23	1.705 (43.31)	1.675 (42.55)	1.470 (37.34)	1.4375	1.5000	1.162 (29.51)	1.050 (26.67)	1.795 (45.59)	1.478 (37.54)	1.505 (38.23)	1.801 (45.75)	1.190 (3.23)

SERIES 805 TRIPLE-START ACME THREAD



SERIES 805 TRIPLE-START ACME THREAD Mighty Mouse Connectors and Cables



Glass-Sealed Hermetic Receptacle with Solder Cups and Integral Shield Termination Platform



PCB Hermetic Receptacle Connectors feature integral banding porch for use with Band-Master® stainless steel band (sold separately) and power and signal solder cup contacts for direct to wire attachment. Available square flange-front or rear panel mount, solder mount, jam-nut, and weld mount shell styles. Connectors are 100% tested to meet 1×10^{-7} ccHe/sec at 1 atm helium leak rate. Contacts are non-removable, back potted, and parylene compatible. Consult factory for additional arrangements.

How To Order	
Sample Part Number	805-019 -02 Z1 8-7 P A
Series	805-019 = Hermetic Receptacle with Solder Cups and Integral Banding Porch
Shell Style (See Table I)	-02 = Square Flange, Front or Rear Mount Receptacle -03 = Solder Mount Receptacle -07 = Jam-Nut, Rear Panel Mount Receptacle
Material and Finish	Z1 = Stainless Steel / Passivated ZB = Stainless Steel / Olive Drab Chromate over Cadmium ZC = Stainless Steel / Zinc Cobalt Alloy/Black Chromate ZL = Stainless Steel / Electrodeposited Nickel ZN = Stainless Steel / Zinc Nickel/Olive Drab over Electroless Nickel ZU = Stainless Steel / Cadmium Black
Shell Size - Insert Arrangement	See page J-6. See section B for PCB footprints
Contact Type	P = Pin, Solder Cup S = Socket, Solder Cup
Shell Key Positions (See Table II)	A = Normal B = Pos. B C = Pos. C D = Pos. D E = Pos. F F = Pos. F

Table I: Shell Style		
-02 Square Flange	-07 Jam-Nut	-03 Solder Mount

Table II: Key Positions		
Position	A	B
A (Normal)	150°	210°
B	75°	210°
C	95°	230°
D	140°	275°
E	75°	275°
F	95°	210°

DWV Rating	
Contact Sizes	Test Voltage
23	750 Vac
20 HD	1000 Vac
16, 12, 8	1800 Vac

NOTES

1. This connector mates with all quick coupling high density plug connectors with same polarization and opposite contact gender 805-001, 805-002
2. For additional insert arrangements consult factory
3. Contacts are non removable and connector is back potted
4. Hermeticity is less than 1×10^{-7} ccHe/second at one atmosphere
5. See page J-11 for recommended panel cut-out

SERIES 805 TRIPLE-START ACME THREAD

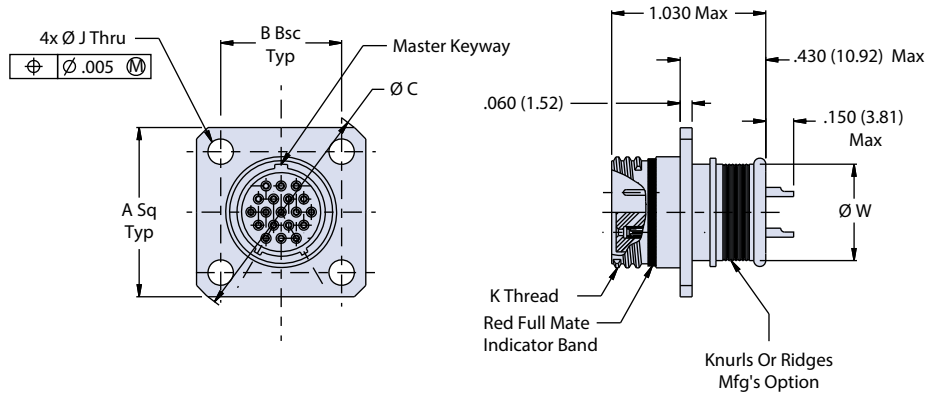


SERIES 805 TRIPLE-START ACME THREAD
Mighty Mouse Connectors and Cables

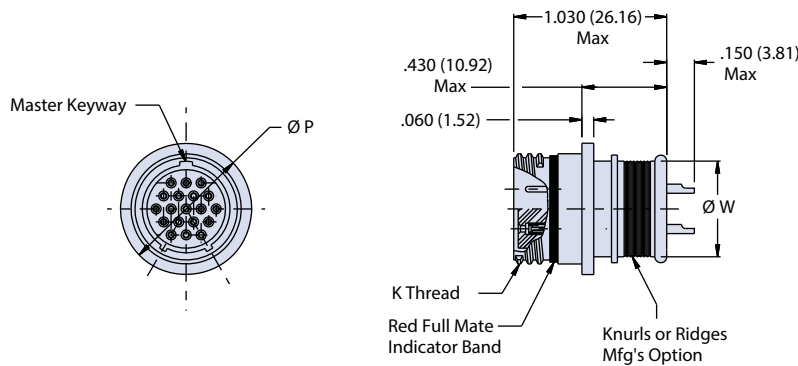


Glass-Sealed Hermetic Receptacle with Solder
Cups and Integral Shield Termination Platform

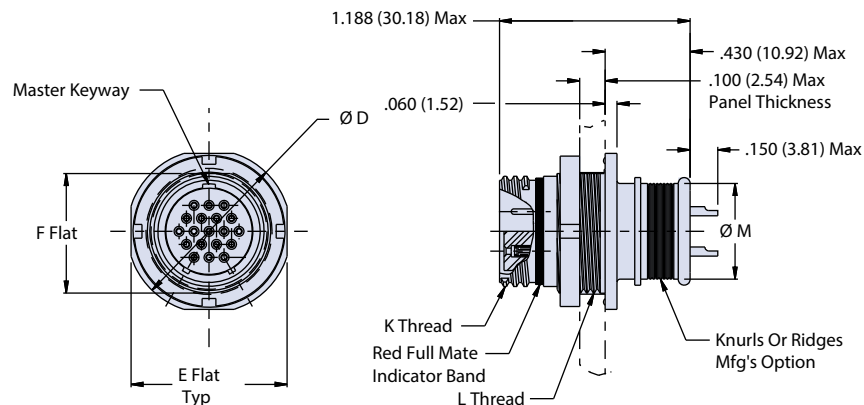
SQUARE FLANGE RECEPTACLE - SHELL STYLE 02



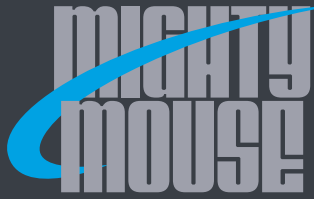
SOLDER MOUNT RECEPTACLE - SHELL STYLE 03



JAM-NUT MOUNT RECEPTACLE - SHELL STYLE 07



SERIES 805 TRIPLE-START ACME THREAD



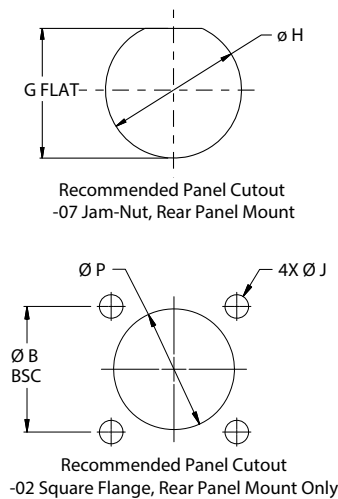
SERIES 805 TRIPLE-START ACME THREAD Mighty Mouse Connectors and Cables



Glass-Sealed Hermetic Receptacle with Solder Cups and Integral Shield Termination Platform

Table III: 805-019 Dimensions										
Shell Size	A Sq	B Bsc	Ø C	Ø D	E Flat	F Flat	J Holes	K Thread	Ø P	Ø W
8	.850 (21.59)	.660 (16.76)	1.150 (29.21)	.760 (19.30)	.730 (18.54)	.535 (13.59)	.096 (2.44) .091 (2.31)	.5000-.1P-.3L-TS	.625 (15.88)	.316 (8.03)
9	.913 (23.19)	.723 (18.36)	1.230 (31.24)	.880 (22.35)	.850 (21.59)	.661 (16.79)		.5625-.1P-.3L-TS	.688 (17.48)	.397 (10.08)
10	.975 (24.76)	.785 (19.94)	1.330 (33.78)	.880 (22.35)	.850 (21.59)	.661 (16.79)		.6250-.1P-.3L-TS	.750 (19.05)	.472 (11.99)
11	1.039 (26.39)	.848 (21.54)	1.410 (35.81)	.955 (24.26)	.925 (23.50)	.721 (18.31)		.6875-.1P-.3L-TS	.812 (20.62)	.519 (13.18)
12	1.099 (27.91)	.909 (23.09)	1.500 (38.10)	1.060 (26.92)	1.035 (26.29)	.784 (19.91)		.7500-.1P-.3L-TS	.875 (22.23)	.585 (14.86)
15	1.288 (32.72)	1.058 (26.87)	1.750 (44.45)	1.203 (30.56)	1.173 (29.79)	.970 (24.64)		.9375-.1P-.3L-TS	1.062 (26.97)	.687 (17.45)
18	1.475 (37.47)	1.255 (31.88)	2.000 (50.80)	1.389 (35.28)	1.359 (34.52)	1.147 (29.13)	.130 (3.30) .126 (3.20)	1.1250-.1P-.3L-TS	1.250 (31.75)	.884 (22.45)
19	1.537 (39.04)	1.327 (33.71)	2.094 (53.19)	1.450 (36.83)	1.420 (36.07)	1.221 (31.01)		1.1875-.1P-.3L-TS	1.312 (33.32)	.884 (22.45)
21	1.663 (42.24)	1.452 (36.88)	2.270 (57.66)	1.58 (40.13)	1.550 (39.37)	1.35 (34.29)		1.3125-.1P-.3L-TS	1.438 (36.53)	1.003 (25.48)
23	1.787 (45.39)	1.576 (40.03)	2.440 (61.98)	1.705 (43.31)	1.675 (42.55)	1.470 (37.34)		1.4375-.1P-.3L-TS	1.562 (39.67)	1.134 (28.80)

Panel Cut-Out Dimensions					
Shell Size	Jam-Nut, Rear Panel Mount		Square Flange, Rear Panel Mount		
	G Flat	Ø H	H BSC	J Holes	Ø P
8	.545 (13.84)	.572 (14.53)	.660 (16.76)	.096 (2.43) .091 (2.31)	.515 (13.08)
	.541 (13.74)	.567 (14.40)			
9	.671 (17.04)	.698 (17.73)	.723 (18.36)		.640 (16.26)
	.667 (16.94)	.693 (17.60)			
10	.671 (17.04)	.698 (17.73)	.785 (19.94)		.703 (17.86)
	.667 (16.94)	.693 (17.60)			
11	.731 (18.57)	.760 (19.30)	.848 (21.54)		.765 (19.43)
	.727 (18.47)	.755 (19.18)			
12	.794 (20.17)	.822 (20.88)	.909 (23.09)		.828 (21.03)
	.790 (20.07)	.817 (20.75)			
13	.851 (21.62)	.885 (22.48)	.973 (24.71)		.953 (24.21)
	.847 (21.51)	.881 (22.38)			
15	.980 (24.89)	1.010 (25.65)	1.058 (26.87)	1.140 (28.96)	
	.976 (24.79)	1.005 (25.53)			
18	1.157 (29.39)	1.198 (30.43)	1.255 (31.88)	1.203 (30.56)	
	1.153 (29.29)	1.193 (30.30)			
19	1.231 (31.27)	1.260 (32.00)	1.327 (33.71)	1.328 (33.73)	
	1.227 (31.17)	1.255 (31.88)			
21	1.358 (34.49)	1.383 (35.13)	1.452 (36.88)	1.453 (36.91)	
	1.354 (34.39)	1.381 (35.08)			
23	1.480 (37.59)	1.510 (38.35)	1.570 (39.88)		
	1.476 (37.49)	1.505 (38.23)			



- Material/Finish:
- Shell: SST / passivate or plate as required
 - Contacts, hermetic: alloy 52 / gold plate
 - Contacts, socket: copper alloy / gold plate
 - Seals: fluorosilicone / N.A.
 - Insulator, hermetic: fused vitreous glass / N.A.
 - Insulator, socket: rigid dielectric / N.A.

SERIES 805 TRIPLE-START ACME THREAD



SERIES 805 TRIPLE-START ACME THREAD Mighty Mouse Connectors and Cables



Glass-Sealed Hermetic Receptacle with PC Tail Coax Contacts



Series 805 Hermetic Receptacles feature gold plated nickel-iron alloy contacts and compression glass dielectric material. Connectors are 100% tested to meet 1×10^{-7} ccHe/sec at 1 atm helium leak rate. Stainless steel connector shells provide excellent corrosion protection. Viton® O-rings offer improved resistance to high temperature and harsh chemicals.

NOTES

- Material/Finish
 - Shell, jam nut: CRES, passivated or plated see part number development / N.A.
 - Contacts hermetic: nickel alloy/gold plated / N.A.
 - Contacts, socket: copper/gold plated
 - Insulator, hermetic: full glass / N.A.
 - Insulator, co-ax: rigid dielectric / N.A.
 - Seals, o-rings: fluorosilicone blend / N.A.
- Performance Test Criteria:
 - Hermeticity: 1×10^{-7} ccHe/sec at 1 ATM differential
 - I.R.: 5000 megohms min @500VDC
- Connector will mate with all quick-coupling plug connectors having the same shell size, contact arrangement, and opposite contact gender (co-ax socket.)
- Frequency range:
 - size 16: up to 700 MHz
 - size 12: up to 3 GHz
- See PCB footprints referenced in section B, page 8
- See page J-11 for recommended panel cut-outs

How To Order	
Sample Part Number	805-130 -07 Z1 18-5 C A -50
Series	805-130 = Hermetic Receptacle
Shell Style (See Table I)	-02 = Square Flange Mount -03 = Solder Mount Receptacle -07 = Jam Nut Rear Panel Mount
Shell Material and Finish	Z1 = Stainless Steel / Passivated (RoHS) ZL = Stainless Steel / Nickel Plated
Shell Size - Insert Arrangement	See Contact Arrangements page J-6, contact size 16 and 12 only
Contact Type	C = Coax Pin Face D = Coax Socket Face
Keyway Position (See Table II)	A = Pos. A B = Pos. B C = Pos. C D = Pos. D E = Pos. E F = Pos. F
Nominal Impedance	50 = 50 OHM (#12 & 16) 75 = 75 OHM (#12 ONLY)

Table I: Shell Style

-07 Jam-Nut, Rear Panel Mount	-02 Square Flange	-03 Solder Mount

Table II: Keyway Positions

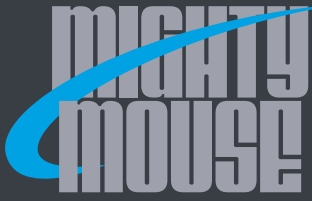
Key Position	Key Rotation	
	A°	B°
A	150°	210°
B	75°	210°
C	95°	230°
D	140°	275°
E	75°	275°
F	95°	210°

DWV Rating

Contact Sizes	Test Voltage
23	750 Vac
20 HD	1000 Vac
16, 12, 8	1800 Vac
16 CO-AX**	800 Vac
12 CO-AX**	1000 Vac

**Inner contact to outer contact

SERIES 805 TRIPLE-START ACME THREAD

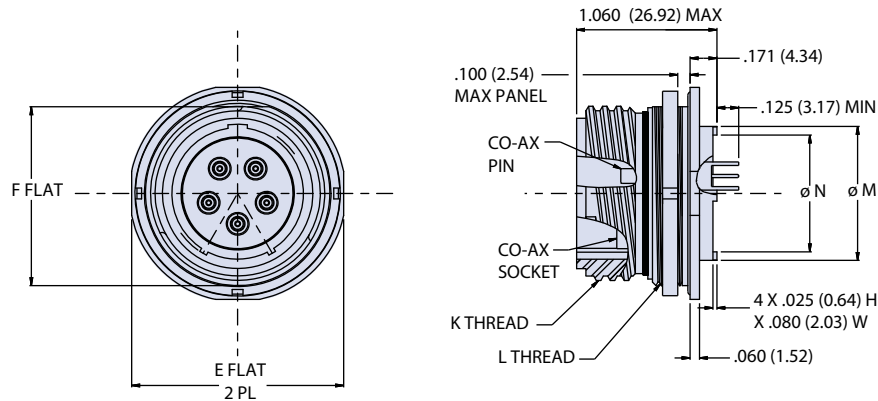


SERIES 805 TRIPLE-START ACME THREAD Mighty Mouse Connectors and Cables

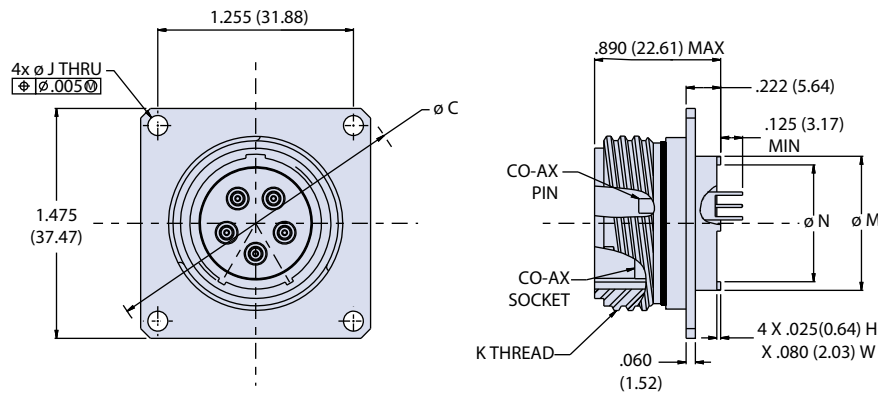
Glass-Sealed Hermetic Receptacle with PC Tail Coax Contacts



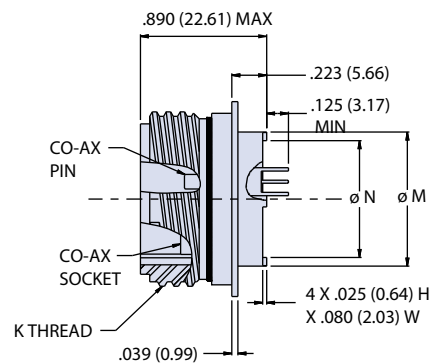
JAM NUT, REAR PANEL MOUNT RECEPTACLE - SHELL STYLE 07



SQUARE FLANGE, FRONT OR REAR PANEL MOUNT, THRU-HOLE RECEPTACLE - SHELL STYLE 02



SOLDER MOUNT MOUNT RECEPTACLE - SHELL STYLE 03



SERIES 805 TRIPLE-START ACME THREAD



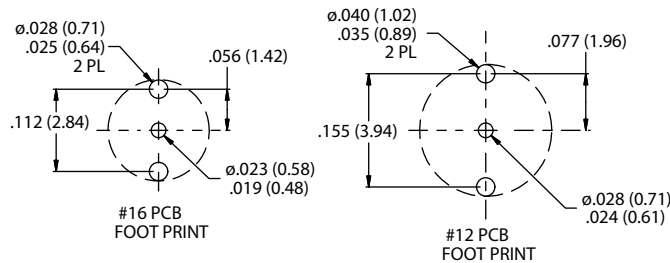
SERIES 805 TRIPLE-START ACME THREAD Mighty Mouse Connectors and Cables



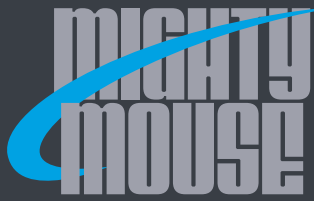
Glass-Sealed Hermetic Receptacle with PC Tail Coax Contacts

Dimensions												
Shell Size	A SQ	B BSC	Ø C	Ø D	E FLAT	F FLAT	J HOLES	K THREAD	L THREAD	Ø M	Ø N	Ø P
8	.850 (21.59)	.660 (16.76)	1.150 (29.21)	.760 (19.30)	.730 (18.54)	.535 (13.59)	.096 (2.44) .091 (2.31)	.5000-.1P-.3L-TS	.5625-28 UN-2A	.330 (8.38)	.230 (5.84)	.625 (15.88)
9	.913 (23.19)	.723 (18.36)	1.230 (31.24)	.880 (22.35)	.850 (21.59)	.661 (16.79)		.5625-.1P-.3L-TS	.6875-28 UN-2A	.432 (10.97)	.322 (8.18)	.688 (17.48)
10	.975 (24.76)	.785 (19.94)	1.330 (33.78)	.880 (22.35)	.850 (21.59)	.661 (16.79)		.6250-.1P-.3L-TS	.6875-28 UN-2A	.493 (12.52)	.386 (9.80)	.750 (19.05)
11	1.039 (26.39)	.848 (21.54)	1.410 (35.81)	.955 (24.26)	.925 (23.50)	.721 (18.31)		.6875-.1P-.3L-TS	.7500-28 UN-2A	.553 (14.05)	.442 (11.23)	.812 (20.62)
12	1.099 (27.91)	.909 (23.09)	1.500 (38.10)	1.060 (26.92)	1.035 (26.29)	.784 (19.91)		.7500-.1P-.3L-TS	.8125-28 UN-2A	.620 (15.75)	.513 (13.03)	.875 (22.23)
13	1.163 (29.54)	.973 (24.71)	1.590 (40.39)	1.120 (28.45)	1.090 (27.69)	.843 (21.41)		.8125-.1P-.3L-TS	.8750-28 UN-2A	.661 (16.79)	.554 (14.07)	.938 (23.83)
15	1.288 (32.72)	1.058 (26.87)	1.750 (44.45)	1.203 (30.56)	1.173 (29.79)	.970 (24.64)	.130 (3.30) .126 (3.20)	.9375-.1P-.3L-TS	1.0000-28 UN-2A	.703 (17.86)	.594 (15.09)	1.062 (26.97)
18	1.475 (37.47)	1.255 (31.88)	2.000 (50.80)	1.389 (35.28)	1.359 (34.52)	1.147 (29.13)		1.1250-.1P-.3L-TS	1.1875-28 UN-2A	.863 (21.92)	.750 (19.05)	1.250 (31.75)
19	1.537 (39.04)	1.327 (33.71)	2.094 (53.19)	1.450 (36.83)	1.420 (36.07)	1.221 (31.01)		1.1875-.1P-.3L-TS	1.2500-28 UN-2A	.912 (23.16)	.805 (20.45)	1.312 (33.32)
21	1.663 (42.24)	1.452 (36.88)	2.270 (57.66)	1.580 (40.13)	1.550 (39.37)	1.350 (34.29)		1.3125-.1P-.3L-TS	1.3750-28 UN-2A	1.017 (25.83)	.910 (23.11)	1.438 (36.53)
23	1.787 (45.39)	1.576 (40.03)	2.440 (61.98)	1.705 (43.31)	1.675 (42.55)	1.470 (37.34)		1.4375-.1P-.3L-TS	1.5000-28 UN-2A	1.162 (29.51)	1.050 (26.67)	1.562 (39.67)

PCB FOOTPRINTS



SERIES 805 TRIPLE-START ACME THREAD



SERIES 805 TRIPLE-START ACME THREAD Mighty Mouse Connectors and Cables



Glass-to-Metal Seal Hermetic Receptacle; Size 12 or 16 PC Tail Coax Contacts/Threaded Standoffs



Series 805 Hermetic Receptacles feature gold plated nickel-iron alloy contacts and compression glass dielectric material. Threaded standoff for board washout and robust attachment to PC board. 100% tested to meet 1×10^{-7} ccHe/sec @ 1 atm helium leak rate. Stainless steel connector shell provides excellent corrosion protection. Rear panel mount square flange and jam-nut configurations available. Co-ax contacts available for size 12 and 16 contact arrangements only.

NOTES

- Performance Test Criteria:
 - Hermeticity: less than 1×10^{-7} ccHe/sec @ 1 atmosphere delta pressure
 - D.W.V.: per DWV rating table
 - I.R.: 5000 megohms Min @500 Vdc
- Receptacle mates with Glenair 805 style plug connectors with same size, polarization, and opposite contact gender.
- Combo arrangements available with #16 and #12 (no size #8). All #16 and #12 will be coax
- See PCB footprints referenced in section B, page 8.
- See page J-11 for recommended panel cut-outs
- Material/Finish
 - Shell, jam-nut: CRES see part number development / N.A.
 - Contacts hermetic: nickel alloy/gold plate
 - Contacts, socket: copper alloy/gold plate
 - Hood, sockets: CRES/passivate
 - Insulator, hermetic: full glass / N.A.
 - Insulator, socket: high-grade dielectric / N.A.
 - Seals and o-rings: fluorosilicone blend / N.A.

How To Order							
Sample Part Number	805-132	-07	Z1	15-5	C	A	-50
Series	805-132 = Hermetic Receptacle						
Shell Style (See Table I)	-02 = Square Flange Mount -07 = Jam -Nut, Rear Panel Mount						
Shell Material and Finish	Z1 = Stainless Steel / Passivated ZL = Stainless Steel / Nickel Plated						
Shell Size - Insert Arrangement	See Contact Arrangements page J-6, Contact size 16 and 12 only						
Contact Type	C = P.C. Therm., Pin D = P.C. Therm., Socket						
Keyway Position (See Table II)	A = Pos. A B = Pos. B C = Pos. C D = Pos. D E = Pos. E F = Pos. F						
Nominal Impedance	50 = 50 OHM (#12 & 16) 75 = 75 OHM (#12 ONLY)						

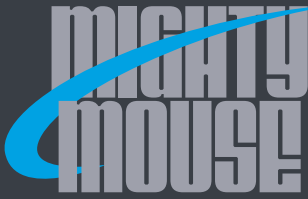
Table I: Shell Style	
-07 Jam-Nut, Rear Panel Mount	-02 Square Flange

Polarization		
Position	A°	B°
A	150°	210°
B	75°	210°
C	95°	230°
D	140°	275°
E	75°	275°
F	95°	210°

PC Tail	
Contact Size	ØT ±.002 Tail Dia
23	.020 (0.51)
20	.030 (0.76)
16	.063 (1.60)
12	.094 (2.39)
8	.180 (4.57)

DWV Rating	
Contact Sizes	Test Voltage
23	750 Vac
20 HD	1000 Vac
16, 12, 8	1800 Vac
16 CO-AX**	800 Vac
12 CO-AX**	1000 Vac
**Inner contact to outer contact	

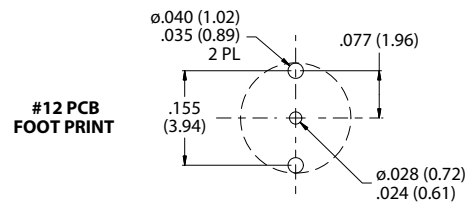
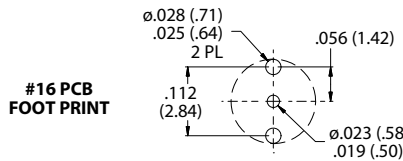
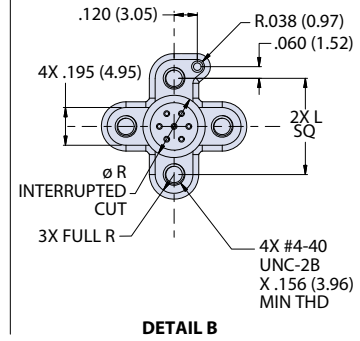
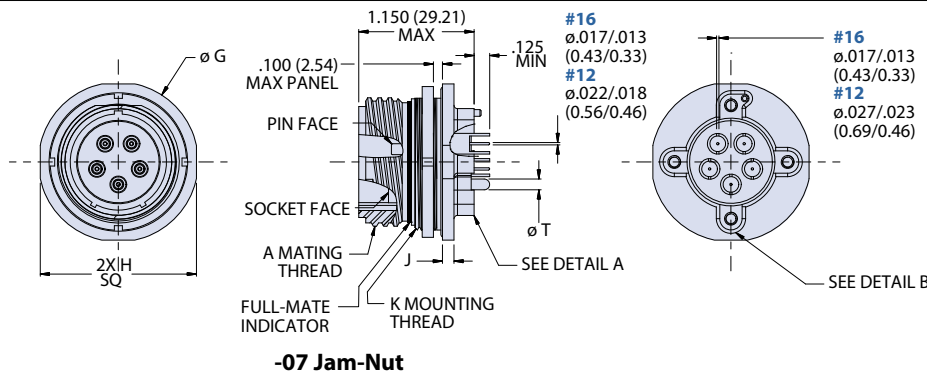
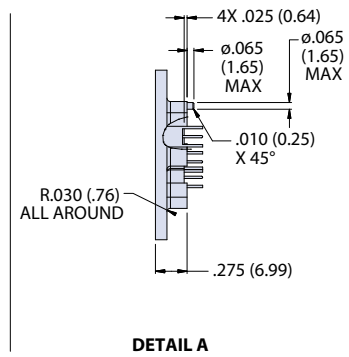
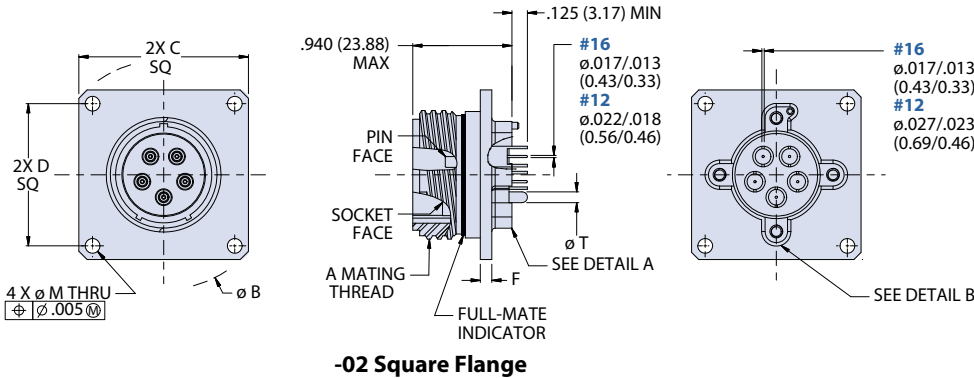
SERIES 805 TRIPLE-START ACME THREAD



SERIES 805 TRIPLE-START ACME THREAD Mighty Mouse Connectors and Cables

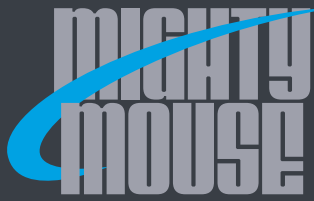


Glass-to-Metal Seal Hermetic Receptacle; Size 12 or 16 PC Tail Coax Contacts/Threaded Standoffs



SERIES 805 TRIPLE-START ACME THREAD

Dimensions											
Shell Size	"A" Thread Mating -.1P-.3L-TS-2A	"Ø B" Max Flange	"C" Sq Typ Flange Flats	"D" Sq Bsc Mounting Holes	"F" Max Flange	"Ø G" Flange	"H" Sq Flange Flats	"J" Max Flange	"K" Thread Mounting -28 UN-2A	"L" Board Mounting	"Ø M" Thru Mtg Holes
8	.5000	1.150 (29.21)	.850 (21.59)	.660 (16.76)	.100 (2.54)	.760 (19.30)	.730 (18.54)	.100 (2.54)	.5625	.440 (11.18)	.096 (2.44) .091 (2.31)
9	.5625	1.230 (31.24)	.913 (23.19)	.723 (18.36)		.880 (22.35)	.850 (21.59)		.6875	.515 (13.08)	
10	.6250	1.330 (33.78)	.975 (24.76)	.785 (19.94)		.925 (23.50)	.895 (22.73)		.6875	.580 (14.73)	
11	.6875	1.410 (35.81)	1.040 (26.42)	.848 (21.54)		.955 (24.26)	.925 (23.50)		.7500	.646 (16.41)	
12	.7500	1.500 (38.10)	1.099 (27.91)	.909 (23.09)		1.060 (26.92)	1.035 (26.29)		.8125	.734 (18.64)	
13	.8125	1.590 (40.39)	1.163 (29.54)	.973 (24.71)		1.120 (28.45)	1.090 (27.69)		.8750	.788 (20.02)	
15	.9375	1.750 (44.45)	1.288 (32.72)	1.058 (26.87)		1.203 (30.56)	1.173 (29.79)		1.0000	.830 (21.08)	.130 (3.30) .126 (3.20)
18	1.1250	2.000 (50.80)	1.475 (37.47)	1.255 (31.88)		1.389 (35.28)	1.359 (34.52)		1.1875	.896 (22.76)	
19	1.1875	2.094 (53.19)	1.537 (39.04)	1.327 (33.71)		1.450 (36.83)	1.420 (36.07)		1.2500	1.059 (26.90)	
21	1.3125	2.270 (57.66)	1.663 (42.24)	1.452 (36.88)		.125 (3.18)	1.580 (40.13)		1.550 (39.37)	1.3750	
23	1.4375	2.440 (61.98)	1.787 (45.39)	1.576 (40.03)	1.705 (43.31)	1.675 (42.55)	1.5000	1.284 (32.61)			



SERIES 805 TRIPLE-START ACME THREAD Mighty Mouse Connectors and Cables



Environmental, Rear Panel Mount, Jam-Nut Bulkhead Feedthrough



Series 805 Bulkhead Feedthrough connector provides a separable connection on both sides of a mounting panel. Available in shell sizes 8 to 23. Mates with all high density triple-start threaded connectors with the same polarization and opposite contact genders (805-001 and 805-002). Copper alloy gold-plated contacts, pin to pin, pin to socket, and socket to socket. Aluminum alloy or stainless steel shells with seven standard finishes. Please contact the factory for additional materials and finishes available.

How To Order							
Sample Part Number	805-066	-07	M	8-7	P	P	N
Series	805-066 = Bulkhead Feedthrough Receptacle						
Shell Style	-07 = Jam-Nut, Rear Panel Mount						
Shell Material and Finish	C = Aluminum / Black Anodize (Non-Conductive); RoHS Compliant M = Aluminum / Electroless Nickel; RoHS Compliant MT = Aluminum / Nickel-PTFE RoHS Compliant NF = Aluminum / Cadmium with Olive Drab Chromate ZN = Aluminum / Zinc-Nickel with Olive Drab Chromate ZNU = Aluminum / Zinc-Nickel with Black Chromate Z1 = Stainless Steel / Passivated; RoHS Compliant						
Shell Size - Insert Arrangement	See Contact Arrangements Page J-6						
Contact Type ² (Jam-Nut Side)	P = Pin S = Socket						
Contact Type ² (Other Side)	P = Pin S = Socket						
Shell Key Position (See Table I)	A = Normal B = Pos. B C = Pos. C D = Pos. D E = Pos. E F = Pos. F						

Table I: Key Positions

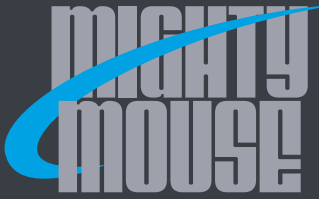
Key Position	Key Rotation	
	A	B
A (Normal)	150°	210°
B	75°	210°
C	95°	230°
D	140°	275°
E	75°	275°
F	95°	210°

NOTES

1. This connector mates with all quick coupling high density plug connectors with same polarization and opposite contact gender 805-001, 805-002
2. Connector with PP and SS contact styles will cause the arrangement pattern to be mirrored about the vertical centerline.
3. Connectors supplied with standard power contacts. Consult factory for coax or other special contacts
4. See page J-11 for recommended panel cut-outs

DWV Rating

Contact Sizes	Test Voltage
23	750 Vac
20 HD	1000 Vac
16, 12, 8	1800 Vac



SERIES 805 TRIPLE-START ACME THREAD Mighty Mouse Connectors and Cables



Environmental Jam-Nut, Rear Panel Mount Bulkhead Feedthrough

JAM-NUT, REAR PANEL MOUNT - SHELL STYLE 07

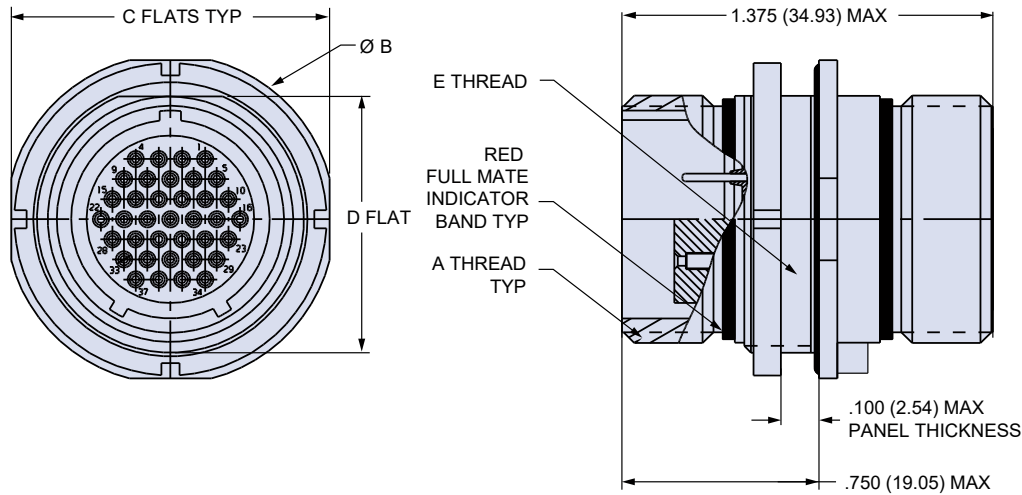


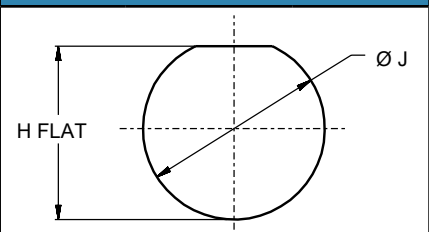
Table II: Dimensions

Shell Size	A Thread	Ø B	C Flat	D Flat	E Thread
8	.5000-1P-.31L-TS	.760 (19.30)	.730 (18.54)	.535 (13.59)	.5625-28 UNEF-2A
9	.5625-1P-.31L-TS	.880 (22.35)	.850 (21.59)	.661 (16.79)	.6875-28 UN-2A
10	.6250-1P-.31L-TS	.880 (22.35)	.850 (21.59)	.661 (16.79)	.6875-28 UN-2A
11	.6875-1P-.31L-TS	.955 (24.26)	.925 (23.50)	.721 (18.31)	.7500-28 UN-2A
12	.7500-1P-.31L-TS	1.060 (26.92)	1.035 (26.29)	.784 (19.91)	.8125-28 UN-2A
13	.8125-1P-.31L-TS	1.120 (28.45)	1.090 (27.69)	.843 (21.41)	.8750-28 UN-2A
15	.9375-1P-.31L-TS	1.203 (30.56)	1.173 (29.79)	.970 (24.64)	1.0000-28 UN-2A
18	1.1250-1P-.31L-TS	1.389 (35.28)	1.359 (34.52)	1.147 (29.13)	1.1875-28 UN-2A
19	1.1875-1P-.31L-TS	1.450 (36.83)	1.420 (36.07)	1.221 (31.01)	1.2500-28 UN-2A
21	1.3125-1P-.31L-TS	1.590 (40.39)	1.560 (39.62)	1.350 (34.29)	1.3750-28 UN-2A
23	1.4375-1P-.31L-TS	1.705 (43.31)	1.675 (42.55)	1.470 (37.34)	1.5000-28 UN-2A

Material and finish

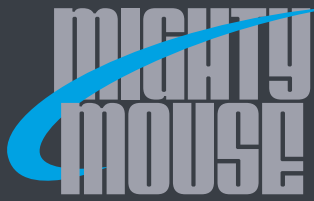
- Shell, jam-nut: aluminum alloy or CRES / see how to order table
- Insulators: liquid crystal polymer / N.A.
- Interfacial seal, O-ring, peripheral seal: fluorosilicone / N.A.
- Contact: copper alloy / gold plate per ASTM B 488, Type II, Code C, Class 1.25, over a suitable underplate

Jam-Nut Panel Cutout



Shell Size	H Flat	Ø J
8	.545 (13.84)	.572 (14.53)
	.541 (13.74)	.567 (14.40)
9	.671 (17.04)	.698 (17.73)
	.667 (16.94)	.693 (17.60)
10	.671 (17.04)	.698 (17.73)
	.667 (16.94)	.693 (17.60)
11	.731 (18.57)	.760 (19.30)
	.727 (18.47)	.755 (19.18)
12	.794 (20.17)	.822 (20.88)
	.790 (20.07)	.817 (20.75)
13	.851 (21.62)	.885 (22.48)
	.847 (21.51)	.881 (22.38)
15	.980 (24.89)	1.010 (25.65)
	.976 (24.79)	1.005 (25.53)
18	1.157 (29.39)	1.198 (30.43)
	1.153 (29.29)	1.193 (30.30)
19	1.231 (31.27)	1.260 (32.00)
	1.227 (31.17)	1.255 (31.88)
21	1.358 (34.49)	1.383 (35.13)
	1.354 (34.39)	1.381 (35.08)
23	1.480 (37.59)	1.510 (38.35)
	1.476 (37.49)	1.505 (38.23)

SERIES 805 TRIPLE-START ACME THREAD



SERIES 805 TRIPLE-START ACME THREAD Mighty Mouse Connectors and Cables



Code Red Light Weight Hermetic, Rear Panel Mount, Jam-Nut Bulkhead Feedthrough

CODE RED™

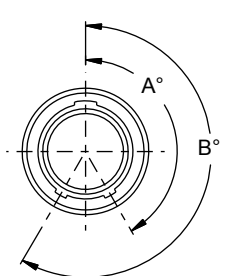


Series 805 Light Weight Hermetic Bulkhead Feedthrough

Aluminum alloy shells provide a lightweight separable connection on both sides of a mounting panel. Code Red encapsulant allows for conventional gold plated, copper alloy contacts for improved electrical performance over traditional glass-to-metal seal nickel iron contacts. Available in shell sizes 8 to 23. 100% tested to meet 1×10^{-7} ccHe/sec @ 1 atm helium leak rate. Mates with all high density triple-start threaded plug connectors with the same polarization and opposite contact genders. Pin and socket configurations include pin to pin, pin to socket, and socket to socket. Please contact the factory for additional finish options.

How To Order							
Sample Part Number	805-128	-07	ME	8-7	P	P	A
Series	805-128 = Bulkhead Feedthrough Receptacle						
Shell Style	-07 = Jam-Nut, Rear Panel Mount						
Shell Material and Finish	ME = Aluminum / Nickel Plate						
Shell Size - Insert Arrangement	See Contact Arrangements Page J-6						
Contact Type ² (Jam-Nut Side)	P = Pin S = Socket						
Contact Type ² (Other Side)	P = Pin S = Socket						
Shell Key Position (See Table I)	A = Normal B = Pos. B C = Pos. C D = Pos. D E = Pos. E F = Pos. F						

Key Position	Key Rotation	
	A	B
A (Normal)	150°	210°
B	75°	210°
C	95°	230°
D	140°	275°
E	75°	275°
F	95°	210°

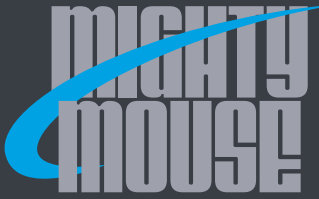


NOTES

1. This connector mates with all quick coupling high density plug connectors with same polarization and opposite contact gender.
2. Sealing compound employed has been tested and meets all applicable performance requirements of MIL-DTL-38999/23.
3. Connector available with pin to pin, socket to socket, and socket to pin contact styles.
4. For pin to pin application, power applied to a given contact on one end will result in power to contact directly opposite, regardless of contact identification letter
5. Feedthrough meets applicable dimensions, mechanical, electrical, environmental and sealing requirements of MIL-DTL-38999/23
6. Operating temperature range: -65°C to +200°C
7. Leak rate: 1×10^{-7} cc/s max helium, 1 ATM
8. IR: 5,000 megohms min at room temperature
9. DWV: 750 VAC (size 23 contacts)
10. See page J-11 for recommended panel cut-outs

Material and finish

- Shell, jam-nut: aluminum alloy or CRES / see how to order table
- Insulators: liquid crystal polymer / N.A.
- Interfacial seal, O-ring, peripheral seal: fluorosilicone / N.A.
- Contact: copper alloy / gold plate per ASTM B 488, Type II, Code C, Class 1.25, over a suitable underplate



SERIES 805 TRIPLE-START ACME THREAD Mighty Mouse Connectors and Cables



Code Red Light Weight Hermetic, Rear Panel Mount, Jam-Nut Bulkhead Feedthrough

JAM-NUT, REAR PANEL MOUNT - SHELL STYLE 07

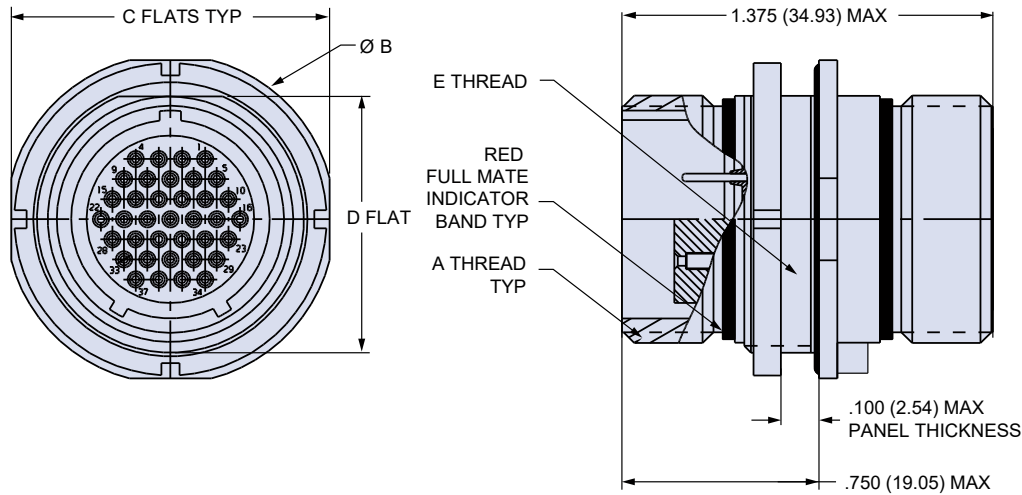
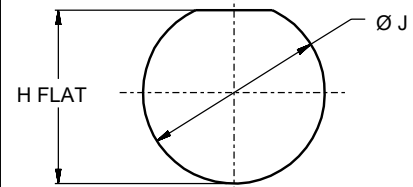


Table II: Dimensions

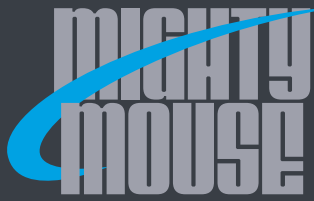
Shell Size	A Thread	Ø B	C Flat	D Flat	E Thread
8	.5000-1P-.31L-TS	.760 (19.30)	.730 (18.54)	.535 (13.59)	.5625-28 UNEF-2A
9	.5625-1P-.31L-TS	.880 (22.35)	.850 (21.59)	.661 (16.79)	.6875-28 UN-2A
10	.6250-1P-.31L-TS	.880 (22.35)	.850 (21.59)	.661 (16.79)	.6875-28 UN-2A
11	.6875-1P-.31L-TS	.955 (24.26)	.925 (23.50)	.721 (18.31)	.7500-28 UN-2A
12	.7500-1P-.31L-TS	1.060 (26.92)	1.035 (26.29)	.784 (19.91)	.8125-28 UN-2A
13	.8125-1P-.31L-TS	1.120 (28.45)	1.090 (27.69)	.843 (21.41)	.8750-28 UN-2A
15	.9375-1P-.31L-TS	1.203 (30.56)	1.173 (29.79)	.970 (24.64)	1.0000-28 UN-2A
18	1.1250-1P-.31L-TS	1.389 (35.28)	1.359 (34.52)	1.147 (29.13)	1.1875-28 UN-2A
19	1.1875-1P-.31L-TS	1.450 (36.83)	1.420 (36.07)	1.221 (31.01)	1.2500-28 UN-2A
21	1.3125-1P-.31L-TS	1.590 (40.39)	1.560 (39.62)	1.350 (34.29)	1.3750-28 UN-2A
23	1.4375-1P-.31L-TS	1.705 (43.31)	1.675 (42.55)	1.470 (37.34)	1.5000-28 UN-2A

Jam-Nut Panel Cutout



Shell Size	H Flat	Ø J
8	.545 (13.84)	.572 (14.53)
	.541 (13.74)	.567 (14.40)
9	.671 (17.04)	.698 (17.73)
	.667 (16.94)	.693 (17.60)
10	.671 (17.04)	.698 (17.73)
	.667 (16.94)	.693 (17.60)
11	.731 (18.57)	.760 (19.30)
	.727 (18.47)	.755 (19.18)
12	.794 (20.17)	.822 (20.88)
	.790 (20.07)	.817 (20.75)
13	.851 (21.62)	.885 (22.48)
	.847 (21.51)	.881 (22.38)
15	.980 (24.89)	1.010 (25.65)
	.976 (24.79)	1.005 (25.53)
18	1.157 (29.39)	1.198 (30.43)
	1.153 (29.29)	1.193 (30.30)
19	1.231 (31.27)	1.260 (32.00)
	1.227 (31.17)	1.255 (31.88)
21	1.358 (34.49)	1.383 (35.13)
	1.354 (34.39)	1.381 (35.08)
23	1.480 (37.59)	1.510 (38.35)
	1.476 (37.49)	1.505 (38.23)

SERIES 805 TRIPLE-START ACME THREAD



SERIES 805 TRIPLE-START ACME THREAD Mighty Mouse Connectors and Cables



Glass-to-Metal Seal Hermetic Bulkhead Feedthrough Connector



Series 805 Hermetic Feed-thru the gold standard for hermetic connectors. Glass-to-metal seals provide a consistently reliable hermetic seal and provide a separable hermetic connection on both sides of a mounting panel. Available in shell sizes 8 to 23. Mates with all high density triple-start threaded connectors with the same polarization and opposite contact genders (805-001 and 805-002). Gold plated nickel-iron alloy contacts and compression glass dielectric material. Hermeticity less than 1×10^{-7} cc/second at 1 atmosphere. Stainless steel connector shell provides excellent corrosion resistance.

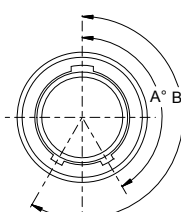
How To Order								
Sample Part Number	805-127	-07	Z1	15-37	P	S	A	01
Series	805-127							
Shell Style (See Table I)	-02 = Square Flange Mount -07 = Jam -Nut, Rear Panel Mount							
Shell Material and Finish	Z1 = Stainless Steel / Passivated ZL = Stainless Steel / Nickel Plated							
Shell Size - Insert Arrangement	See Contact Arrangements page J-6							
Contact Type Panel Side	P = Pin S = Socket							
Contact Type Behind Panel	P = Pin S = Socket							
Polarization	A = Pos. A B = Pos. B C = Pos. C D = Pos. D E = Pos. E F = Pos. F							
Panel Accommodation	1, 2, 3 ; See panel accommodation table							

NOTES

- Performance Test Criteria:
 - Hermeticity: less than 1×10^{-7} cc He/sec @ 1 atm delta
 - D.W.V.: per DWV rating table pin to pin or pin to shell without breakdown
 - I.R.: 5000 megohms @ 500 Vdc min
- For pin-pin or socket-socket feed-thru, power applied to one contact will result in poser to the contact directly opposite, regardless of contact identification
- Feed-thru mates with Glenair 805 style plug connectors with same size, polarization, and opposite contact gender.
- Overall lengths will increase by approximately .50" for #8 contact arrangements
- Standard arrangements with signal/power contacts only. Consult factory for special contacts (Coax, Quadrx, Thermocouples, etc)
- See page J-11 for recommended panel cut-outs
- Material/Finish
 - Shell and jam-nut: CRES/see part number development
 - Contacts, pin: nickel alloy/gold plate
 - Contacts, socket: copper alloy/gold plate
 - Hoods, socket: 300 CRES/passivate
 - Insulator, hermetic: full glass / N.A.
 - Insulator, sockets: rigid dielectric / N.A.
 - Seals and o-rings: fluorosilicone blend / N.A.

Table I: Shell Style	
-07 Jam-Nut, Rear Panel Mount	-02 Square Flange

Table II: Keyway Positions		
Position	A°	B°
A	150°	210°
B	75°	210°
C	95°	230°
D	140°	275°
E	75°	275°
F	95°	210°



DWV Rating	
Contact Sizes	Test Voltage
23	750 Vac
20 HD	1000 Vac
16, 12, 8	1800 Vac

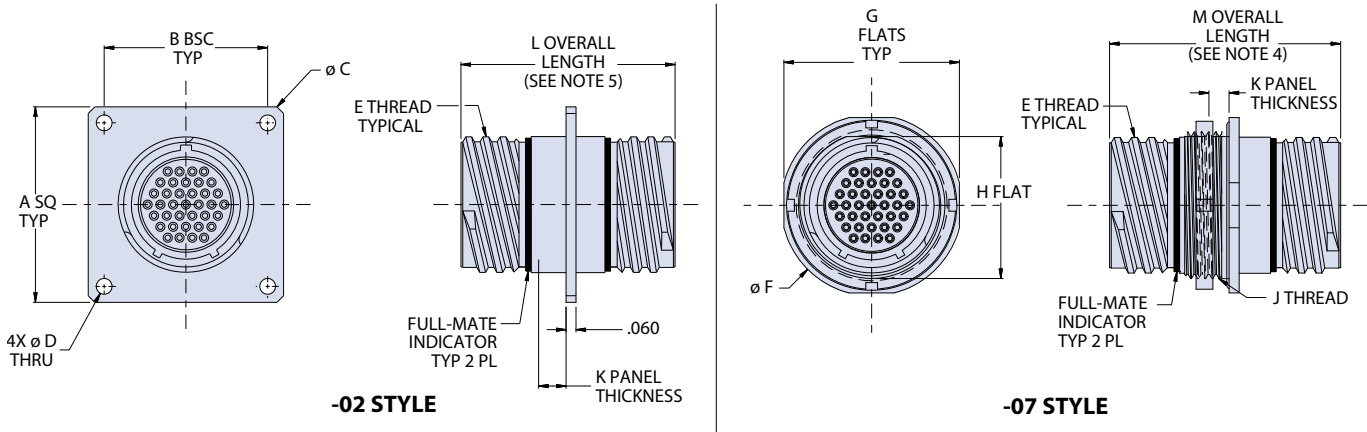


SERIES 805 TRIPLE-START ACME THREAD Mighty Mouse Connectors and Cables



Glass-to-Metal Seal Hermetic Bulkhead Feedthrough Connector

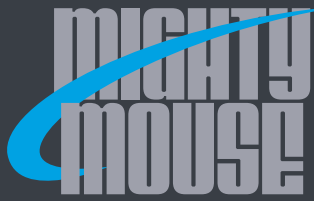
WALL MOUNT SHELL, STYLE 02 OR JAM-NUT REAR PANEL MOUNT, SHELL STYLE 07



Dimensions									
Shell Size	A Sq.	B Bsc	Ø C	Ø D Thru Holes	E Thread	Ø F	G Flat	H Flat	J Thread
8	.850 (21.59)	.660 (16.76)	1.150 (29.21)	.096 (2.44) .091 (2.31)	.5000-.1P-.3L-TS	.760 (19.30)	.730 (18.54)	.535 (13.59)	.5625-28 UNEF-2A
9	.913 (23.19)	.723 (18.36)	1.230 (31.24)	.096 (2.44) .091 (2.31)	.5625-.1P-.3L-TS	.880 (22.35)	.850 (21.59)	.661 (16.79)	.6875-28 UN-2A
10	.975 (24.76)	.785 (19.94)	1.330 (33.78)	.096 (2.44) .091 (2.31)	.6250-.1P-.3L-TS	.880 (22.35)	.850 (21.59)	.661 (16.79)	.6875-28 UN-2A
11	1.039 (26.39)	.848 (21.54)	1.410 (35.81)	.096 (2.44) .091 (2.31)	.6875-.1P-.3L-TS	.955 (24.26)	.925 (23.50)	.721 (18.31)	.7500-28 UN-2A
12	1.099 (27.91)	.909 (23.09)	1.500 (38.10)	.096 (2.44) .091 (2.31)	.7500-.1P-.3L-TS	1.060 (26.92)	1.035 (26.29)	.784 (19.91)	.8125-28 UN-2A
13	1.163 (29.54)	.973 (24.71)	1.590 (40.39)	.096 (2.44) .091 (2.31)	.8125-.1P-.3L-TS	1.120 (28.45)	1.090 (27.69)	.843 (21.41)	.8750-28 UN-2A
15	1.288 (32.72)	1.058 (26.87)	1.750 (44.45)	.130 (3.30) .126 (3.20)	.9375-.1P-.3L-TS	1.203 (30.56)	1.173 (29.79)	.970 (24.64)	1.0000-28 UN-2A
18	1.475 (37.47)	1.255 (31.88)	2.000 (50.80)	.130 (3.30) .126 (3.20)	1.1250-.1P-.3L-TS	1.389 (35.28)	1.359 (34.52)	1.147 (29.13)	1.1875-28 UN-2A
19	1.537 (39.04)	1.327 (33.71)	2.094 (53.19)	.130 (3.30) .126 (3.20)	1.1875-.1P-.3L-TS	1.450 (36.83)	1.420 (36.07)	1.221 (31.01)	1.2500-28 UN-2A
21	1.663 (42.24)	1.452 (36.88)	2.270 (57.66)	.130 (3.30) .126 (3.20)	1.3125-.1P-.3L-TS	1.580 (40.13)	1.550 (39.37)	1.350 (34.29)	1.3750-28 UN-2A
23	1.787 (45.39)	1.576 (40.03)	2.440 (61.98)	.130 (3.30) .126 (3.20)	1.4375-.1P-.3L-TS	1.705 (43.31)	1.675 (42.55)	1.470 (37.34)	1.5000-28 UN-2A

Panel Accomodation			
Sym	K Dim, Panel	L Dim, Oal	M Dim, Oal
-1	.125/.062	1.285 MAX	1.400 MAX
-2	.250/.062	1.410 MAX	1.525 MAX
-3	.500/.062	1.660 MAX	1.775 MAX

SERIES 805 TRIPLE-START ACME THREAD



SERIES 805 TRIPLE-START ACME THREAD Mighty Mouse Connectors and Cables



Sav-Con® Connector Saver, Environmental



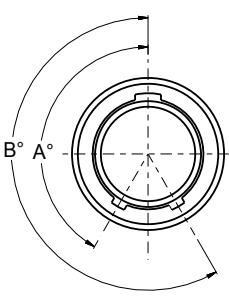
Glenair Sav-Con® Connector Savers are designed to protect connectors that are subject to repeated mating and unmating cycles. Sav-Con® Connector Savers prevent costly repair or replacement of expensive connectors while preserving the quality and integrity of the connector by absorbing connect and disconnect abuse.

Protect Equipment, equipment connectors that are mated frequently during manufacturing, test, check-out phases, and environmental test programs can be protected by Glenair Sav-Con® Connector Savers.

Prolong the Service Life of Test Cables Glenair Sav-Con® Connector Savers mated to test-cable connectors take the punishment of repetitive mating and unmating.

How To Order		805-010	Z1	8-7	P	A
Sample Part Number						
Series	805-010 = Series 805 Connector Saver					
Shell Material and Finish	C = Aluminum / Black Anodize (Non-Conductive); RoHS Compliant M = Aluminum / Electroless Nickel; RoHS Compliant MT = Aluminum / Nickel-PTFE RoHS Compliant NF = Aluminum / Cadmium with Olive Drab Chromate ZNU = Aluminum / Zinc-Nickel with Black Chromate Z1 = Stainless Steel / Passivated; RoHS Compliant					
Shell Size - Insert Arrangement	See Contact Arrangements Page J-6					
Contact Type * (Jam-Nut Side)	P = Pin on Plug Side, Socket Contact on Receptacle Side S = Socket Contact on Plug Side, Pin Contact on Receptacle Side		PP = Pin on Both Sides SS = Socket on Both Sides			
Shell Key Position (See Table I)	A = Normal B = Pos. B C = Pos. C D = Pos. D E = Pos. E F = Pos. F					

Key Position	Key Rotation	
	A	B
A (Normal)	150°	210°
B	75°	210°
C	95°	230°
D	140°	275°
E	75°	275°
F	95°	210°



NOTES

1. Current Rating: #23 5 A, #16 13 A, #12 23 A
2. Dielectric Withstanding Voltage:
#23 750 VAC, #20HD 1000 VAC, #12 and #16 1800 VAC
3. Insulation Resistance: 5000 megohms minimum
4. Operating Temperature: -65° C. to +175° C.
5. Shock: 300 g.
6. Vibration: 37 g.
7. Shielding Effectiveness: 65 dB minimum from 1GHz to 10GHz.
8. Magnetic Permeability: 2.0 μ maximum
9. Durability: 500 mating cycles

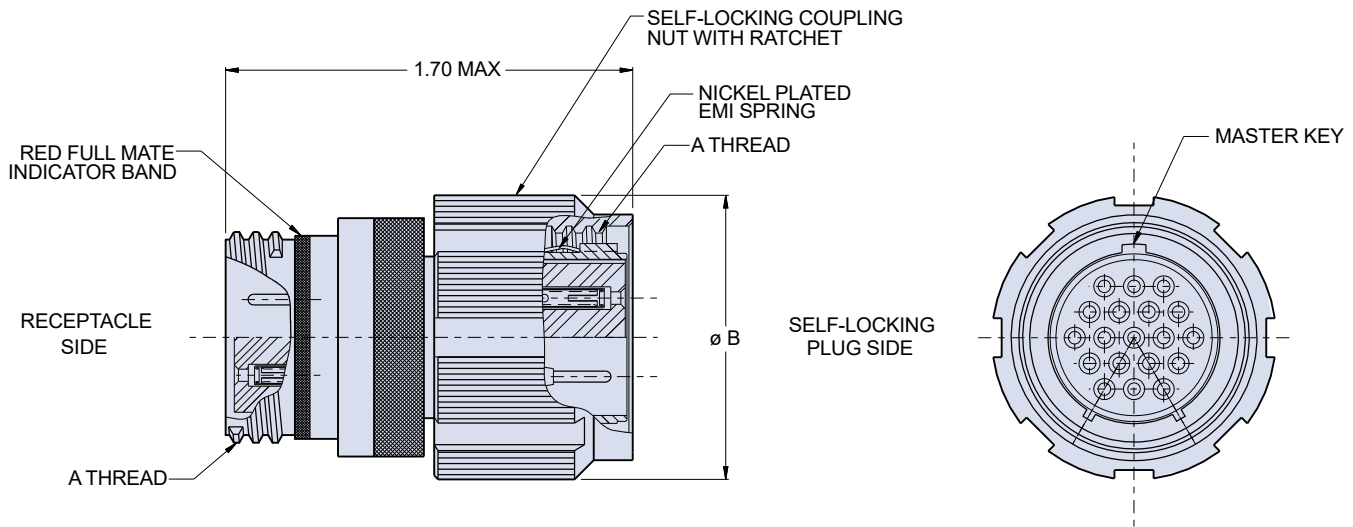


SERIES 805 TRIPLE-START ACME THREAD Mighty Mouse Connectors and Cables



Sav-Con® Connector Saver, Environmental

SAV-CON® CONNECTOR SAVER

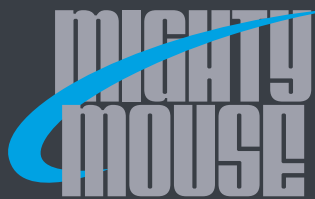


Dimensions		
Shell Size	A Threads	Ø B
8	.5000-1P-.3L-TS	.692 (17.58)
9	.5625-1P-.3L-TS	.789 (20.04)
10	.6250-1P-.3L-TS	.827 (21.01)
11	.6875-1P-.3L-TS	.918 (23.32)
12	.7500-1P-.3L-TS	.984 (24.99)
13	.8125-1P-.3L-TS	1.047 (26.59)
15	.9375-1P-.3L-TS	1.098 (27.89)
18	1.1250-1P-.3L-TS	1.287 (32.69)
19	1.1875-1P-.3L-TS	1.311 (33.30)
21	1.3125-1P-.3L-TS	1.448 (36.78)
23	1.4375-1P-.3L-TS	1.562 (39.67)

Materials and Finishes

- Shell: Aluminum alloy or stainless steel
- Contacts: Copper alloy, 50 µinch gold plated
- Insulators: High-grade rigid dielectric
- Seal: Fluorosilicone rubber
- Ground Spring: Nickel-plated beryllium copper

SERIES 805 TRIPLE-START ACME THREAD



SERIES 805 TRIPLE-START ACME THREAD Mighty Mouse Connectors and Cables



Shielded Cordsets, General Information

Series 805 Harsh Environment Shielded Cordsets



High performance Mighty Mouse cordsets feature easy ordering and fast delivery. These fully shielded and watertight assemblies withstand abrasion, temperature extremes, and chemicals. Flexible overmolding provides rugged, watertight protection to wire and shield. Two styles are available: **Style 1** polyamide overmold and polyurethane cable jacket, and **Style 2** improved temperature range, high flexibility thermoplastic rubber overmold, and cable jacket. Overmolded Mighty Mouse cordsets are suitable for military gear and other hostile environments where interconnect reliability and survivability is essential.

Product Features

- Single-ended or double-ended
- Rugged, watertight construction
- 100% electrically tested
- Flexible to -55°C. (Style 2)
- Stainless steel shield termination band
- Resistant to chemicals
- Withstands UV and ozone

Harsh Environment Cordset Selection Guide		
Property	Style 1 Polyurethane Jacket Polyamide Overmold	Style 2 Rubber Jacket Rubber Overmold
Cable jacket	Thermoplastic polyurethane (TPU), black	Thermoplastic elastomer (TPV), black
Overmold	Polyamide, black	Thermoplastic elastomer (TPV), black
Operating temperature	-30° C. to +105° C.	-55° C. to +135° C.
Flexibility	Good	Excellent
Water Resistance	Waterproof	Waterproof
Solvent Resistance, Cable Jacket	Excellent	Good
Solvent Resistance, Overmold	Fair (1)	Good
Weatherability	Excellent	Excellent
Abrasion Resistance	Excellent	Good
Flammability	Flame retardant UL 94 V-0	Flame retardant UL 94 HB
Low Smoke, Zero Halogen Cable Jacket	Yes	No
(1) Excellent resistance to most solvents, fuels, and oils; poor resistance to strong acids and bipolar solvents (alcohol)		

High-Speed Cordsets

Controlled impedance twisted pair cordsets for Ethernet, USB and other protocols are available. Please refer to Section M

Specifications	
Cable jacket	Style 1: thermoplastic polyurethane, black, low-smoke, zero-halogen Style 2: thermoplastic elastomer, black
Overmold	Style 1: polyamide Style 2: thermoplastic elastomer, black
Cable shield	Tin-coated copper braid, 90% minimum coverage
Conductors	Silver coated stranded wire, TFE insulated, per M22759/11
Shield Termination	Band-Master™ ATS stainless steel shield termination band
Current rating	#23 5 amps, #20 7.5 amps, #16 13 amps, #12 23 amps
Test voltage (DWV)	500 Vac
Insulation resistance	200 Megohms minimum
Shielding effectiveness	50 dB minimum from 100MHz to 1000MHz.

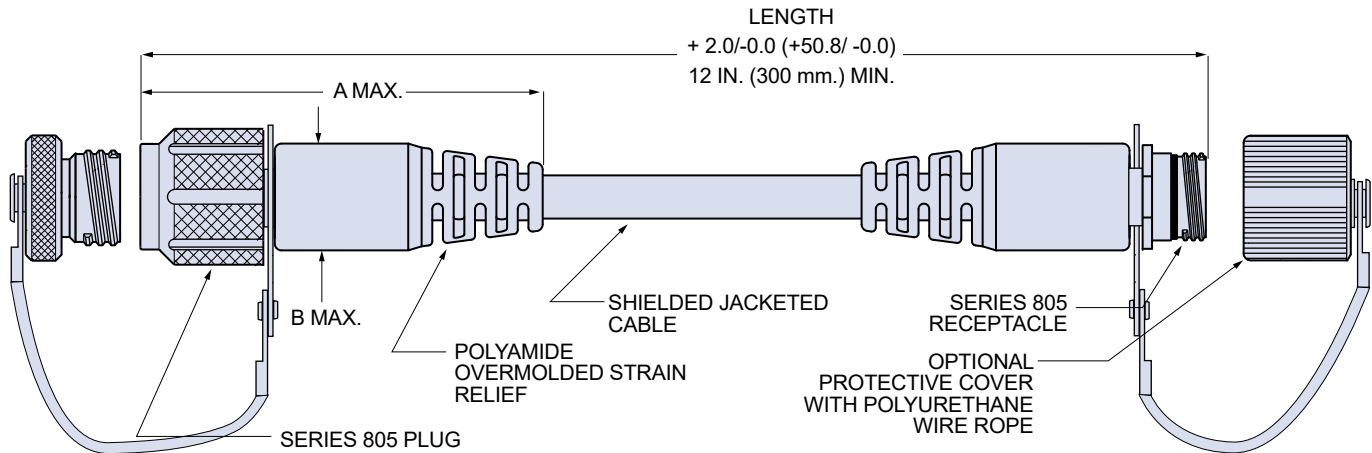
SERIES 805 TRIPLE-START ACME THREAD



SERIES 805 TRIPLE-START ACME THREAD Mighty Mouse Connectors and Cables



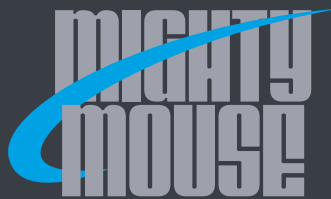
Shielded Overmolded Harsh Environment Cordsets



Dimensions				
Shell Size	A Max.		B Max.	
	In.	mm.	In.	mm.
8	2.62	66.55	0.5	12.70
9	2.70	68.58	0.55	13.97
10	2.80	71.12	0.65	16.51
11	2.80	71.12	0.65	16.51
12	2.90	73.66	0.71	18.03
15	3.10	78.74	0.82	20.83
18	3.42	86.87	1.1	27.94
19	3.42	86.87	1.1	27.94

NOTES

1. Double-ended cordsets are wired pin #1 to pin #1, #2 to #2, and so on.
2. Wires are silver-coated stranded copper with TFE insulation, 600V, in accordance with M22759/11.
3. Wire color is IAW MIL-STD-681 for cables containing 10 wires or less. For cable containing more than 10 wires, wire color is white.



SERIES 805 TRIPLE-START ACME THREAD Mighty Mouse Connectors and Cables

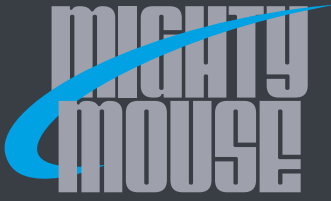


Shielded Overmolded Harsh Environment Cordsets

Series 805 Cordsets with #23 Contacts								
Sample Part Number								
805-009	-A	C	2	M	8-28	N	A	-36
Series	End A Connector	End B Connector	Wire Size	Shell Material/ Finish	Insert Arr.	Protective Cover	Shell Key Pos.	Length
805-009 Style 1 Polyurethane Cable Jacket, Polyamide Overmold	-A Plug, with Male Pin Contacts -B Plug, with Female Socket Contacts	A Plug, with Male Pin Contacts B Plug, with Female Socket Contacts	2 #22 AWG 4 #24 AWG	M Aluminum / Electroless Nickel NF Aluminum / Cadmium with OD Chromate ZNU Aluminum / Zinc- Nickel with Black Chromate MT Aluminum / Nickel-PTFE Z1 Stainless Steel / Passivated	See Insert Arr. page J-6	P Metal Protective Covers Included N No Covers Supplied	A Normal B Pos. B C Pos. C D Pos. D E Pos. E F Pos. F See key positions on page J-11	Overall Length In Inches 12 Inch Min.
805-062 Style 2 Rubber Cable Jacket and Overmold	-C Receptacle, with Male Pin Contacts -D Receptacle, with Female Socket Contacts	C Receptacle, with Male Pin Contacts D Receptacle, with Female Socket Contacts N No Connector (Single-Ended)						

Series 805 Cordsets with #20HD Contacts								
Sample Part Number								
805-063	-A	C	0	M	8-28	N	A	-36
Series	End A Connector	End B Connector	Wire Size	Shell Material / Finish	Insert Arr.	Protective Cover	Shell Key Pos.	Length
805-018 Style 1 Polyurethane Cable Jacket, Polyamide Overmold	-A Plug, with Male Pin Contacts -B Plug, with Female Socket Contacts	A Plug, with Male Pin Contacts B Plug, with Female Socket Contacts	0 #20 AWG 2 #22 AWG	M Aluminum / Electroless Nickel NF Aluminum / Cadmium with OD Chromate ZNU Aluminum / Zinc- Nickel with Black Chromate MT Aluminum / Nickel-PTFE Z1 Stainless Steel / Passivated	See Insert Arr. page J-6	P Metal Protective Covers Included N No Covers Supplied	A Normal B Pos. B C Pos. C D Pos. D E Pos. E F Pos. F See key positions on page J-11	Overall Length In Inches 12 Inch Min.
805-063 Style 2 Rubber Cable Jacket and Overmold,	-C Receptacle, with Male Pin Contacts -D Receptacle, with Female Socket Contacts	C Receptacle, with Male Pin Contacts D Receptacle, with Female Socket Contacts N No Connector (Single-Ended)						

SERIES 805 TRIPLE-START ACME THREAD



SERIES 805 TRIPLE-START ACME THREAD Mighty Mouse Connectors and Cables

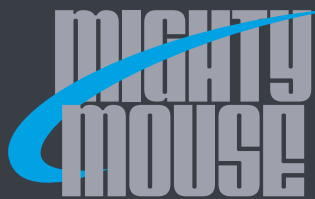


Shielded Overmolded Harsh Environment Cordsets

Series 805 Cordsets with #16 Contacts								
Sample Part Number								
805-015	-A	C	6	M	8-28	N	A	-36
Series	End A Connector	End B Connector	Wire Size	Shell Material / Finish	Insert Arr.	Protective Cover	Shell Key Pos.	Length
805-015 Style 1 Polyurethane Cable Jacket, Polyamide Overmold	-A Plug, with Male Pin Contacts -B Plug, with Female Socket Contacts	A Plug, with Male Pin Contacts B Plug, with Female Socket Contacts	6 #16 AWG 8 #18 AWG	M Aluminum / Electroless Nickel NF Aluminum / Cadmium with OD Chromate ZNU Aluminum / Zinc- Nickel with Black Chromate MT Aluminum / Nickel-PTFE Z1 Stainless Steel / Passivated	Available in Shell Sizes 8 Thru 19 See Cont. Arr. Page J-6	P Metal Protective Covers Included N No Covers Supplied	A Normal B Pos. B C Pos. C D Pos. D E Pos. E F Pos. F See key positions on page J-11	Overall Length In Inches 12 Inch Min.
805-064 Style 2 Rubber Cable Jacket and Overmold	-C Receptacle, with Male Pin Contacts -D Receptacle, with Female Socket Contacts	C Receptacle, with Male Pin Contacts D Receptacle, with Female Socket Contacts N No Connector (Single-Ended)						

Series 805 Cordsets with #12 Contacts								
Sample Part Number								
805-065	-A	C	2	M	8-28	N	A	-36
Series	End A Connector	End B Connector	Wire Size	Shell Material / Finish	Insert Arr.	Protective Cover	Shell Key Pos.	Length
805-016 Style 1 Polyurethane Cable Jacket, Polyamide Overmold	-A Plug, with Male Pin Contacts -B Plug, with Female Socket Contacts	A Plug, with Male Pin Contacts B Plug, with Female Socket Contacts	2 #12 AWG 4 #14 AWG	M Aluminum / Electroless Nickel NF Aluminum / Cadmium with OD Chromate ZNU Aluminum / Zinc- Nickel with Black Chromate MT Aluminum / Nickel-PTFE Z1 Stainless Steel / Passivated	Available in Shell Sizes 8 Thru 19 See Cont. Arr. Page J-6	P Metal Protective Covers Included N No Covers Supplied	A Normal B Pos. B C Pos. C D Pos. D E Pos. E F Pos. F See key positions on page J-11	Overall Length In Inches 12 Inch Min.
805-065 Style 2 Rubber Cable Jacket and Overmold,	-C Receptacle, with Male Pin Contacts -D Receptacle, with Female Socket Contacts	C Receptacle, with Male Pin Contacts D Receptacle, with Female Socket Contacts N No Connector (Single-Ended)						

SERIES 805 TRIPLE-START ACME THREAD



SERIES 805 TRIPLE-START ACME THREAD Mighty Mouse Connectors and Cables



Flexible, Lightweight Shielded Phantom Cable Cordsets

Series 805 Ultraflexible “Phantom Cable” Cordsets



Phantom Cable cordsets feature high-flex rubber-insulated wires, lightweight shield, and overbraided jackets for maximum flexibility, reduced size and minimum weight. Flexible rubber overmold provides strain relief and environmental sealing. EMI shield options include high-strength, ultralightweight AmberStrand® nickel-coated composite braid, ArmorLite™ or lightweight, high flexibility tinned copper braid. Braid outer jackets are available with NOMEX®, HALAR®, or PTFE-coated fiberglass.

Product Features

- Overbraided cable jacket for excellent flexibility
- Ultra-lightweight AmberStrand® EMI shield
- 100% electrically tested
- Flexible to -55°C.
- Stainless steel shield termination band

Application Note

Overbraided textile jackets are ideal for applications where flexibility and weight are important. However, water can penetrate through the jacket and cable shield. Dust and contamination can also become entrapped in the braid. Braided jackets are prone to fraying damage caused by snagging on velcro closures and MOLLE vests. Extruded cable jackets are recommended if debris entrapment, moisture ingress, or fraying damage are concerns.

Braid Shield Selection Guide			
Property	AmberStrand®	ArmorLite®	Copper
Type	nickel-coated high-strength super fiber	Micro-filament nickel-coated stainless steel	Tin-coated copper
Weight/ft. (0.5 in. ID)	3.7 grams	4.4 grams	22.3 grams
Operating Temp(1)	-65° C to +200° C	-80° C to +260° C	-80° C to +150° C
Coverage	90% min.	90% min.	90% min.
Flexibility	Excellent	Excellent	Good
Cost Comparison	\$\$\$	\$\$	\$

(1) Rubber wires and rubber overmold are rated for -55° C to +135° C.

Jacket Selection Guide			
Property	NOMEX®	HALAR®	PTFE Coated Fiberglass
Color	Black or olive drab	Black	Tan
Operating Temp(1)	-55° C to +260° C	-73° C to +150° C	-75° C to +300° C
Chemical Resistance	Excellent	Excellent	Excellent
Flammability	Self-extinguishing, will not melt	Fire retardant UL VW-1	Self-extinguishing
Toxicity	Non-toxic	Non-toxic	Non-toxic
Flexibility	Excellent	Excellent	Excellent
Abrasion resistance	Excellent	Excellent	Excellent

(1) Rubber wires and rubber overmold are rated for -55° C to +135° C.

Specifications	
Cable jacket	NOMEX®, HALAR® or PTFE-coated fiberglass
Temperature Range	-55° C to +135° C
Overmold	Thermoplastic elastomer, black
Cable shield	AmberStrand®, ArmorLite® or tinned copper, 90% minimum coverage
Conductors	Silver coated stranded wire, rubber insulation
Shield Termination	Band-Master™ ATS stainless steel shield termination band
Current rating	5 amps
Test voltage (DWV)	500 Vac
Insulation resistance	200 Megohms minimum
Shielding effectiveness	50 dB minimum from 100MHz to 1000MHz.

SERIES 805 TRIPLE-START ACME THREAD



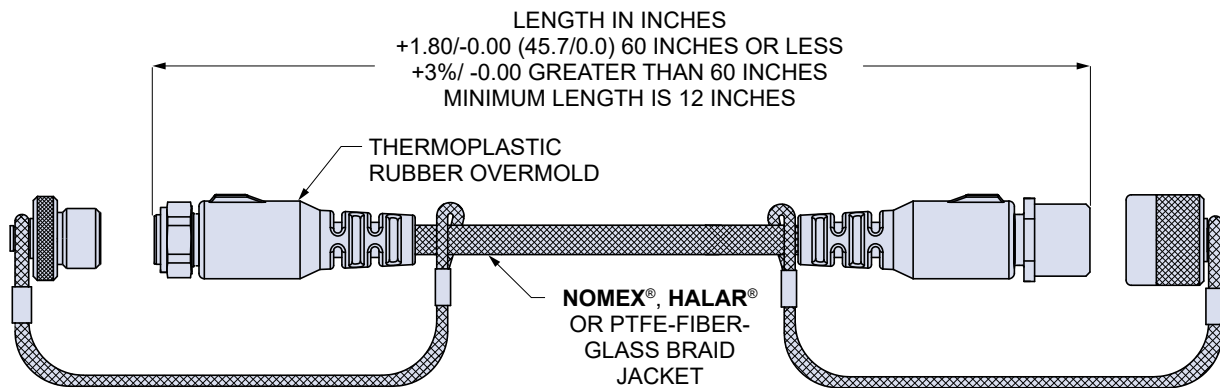
SERIES 805 TRIPLE-START ACME THREAD Mighty Mouse Connectors and Cables



Flexible, Lightweight Shielded Phantom Cable Cordsets

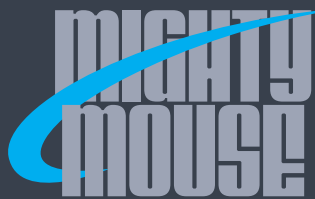
Series 805 "Phantom Cable" Cordsets size #12 thru #23 Contacts

Sample Part Number										
805-057	-B	N	2	Z1	5-3	N	A	-60	C	N
Series	End A Connector	End B Connector	Wire Size	Shell Material/ Finish	Insert Arr.	Protective Cover	Shell Key Position	Length	Shield Option	Jacket Option
Size #23 Contacts 805-057 Phantom Cable Cordset	-A Plug, with Male Pin Contacts	A Plug, with Male Pin Contacts	Size #23 Contacts 4 #24 AWG	M Aluminum / Electroless Nickel	Available in Shell Sizes 8 Thru 19	P Metal Protective Covers Included	A Normal B Pos. B C Pos. C D Pos. D E Pos. E F Pos. F	Overall Length In Inches 12 Inch Min.	A AmberStrand B ArmorLite C Tin-Coated Copper	D Nomex, Olive Drab N Nomex, Black H Halar (Monofil) P Peek (Monofil)
Size #20 HD Contacts 805-058 Phantom Cable Cordset	-C Rec. with Male Pin Contacts	C Rec. with Male Pin Contacts	Size #20 HD Contacts 0 #20 AWG	ZNU Aluminum / Zinc-Nickel with Black Chromate	See Cont. Arr. Page J-6	N No Covers Supplied				
Size #16 Contacts 805-059 Phantom Cable Cordset	-D Rec. with Female Socket Contacts	D Rec. with Female Socket Contacts	Size #16 Contacts 6 #16 AWG 8 #18 AWG	MT Aluminum / Nickel-PTFE Z1 Stainless Steel / Passivated			See key positions on page J-11			
Size #12 Contacts 805-060 Phantom Cable Cordset		N No Connector (Single-Ended)	Size #12 Contacts 2 #12 AWG 4 #14 AWG							



NOTES

1. Double-ended cordsets are wired pin #1 to pin #1, #2 to #2, and so on.
2. Wires are silver-coated stranded copper with TPE insulation, 600V, UL VW-1 rated.
3. Wire color is IAW MIL-STD-681 for cables containing 10 wires or less. For cable containing more than 10 wires, wire color is white.



SERIES 811 HIGH-DENSITY DOUBLE-START Mighty Mouse Connectors and Cables

Product Selection Guide



Series 811

Connector features and benefits, weight savings comparisons, connector weights, contact arrangement layouts, panel cut-out dimensions, and key/keyway positions and polarizations.

Page K-2



Series 811 HD Cable Plug Connector Pigtails

Factory terminated cable plugs with PTFE or Tefzel[®] insulated wire, backpotted with epoxy.

Page K-7



Series 811 HD In-Line Receptacle Connector Pigtails

Factory terminated in-line receptacles with PTFE or Tefzel[®] insulated wire, backpotted with epoxy.

Page K-8



Series 811 HD Wall Mount Receptacle Connector Pigtails

Factory terminated wall mount receptacles with PTFE or Tefzel[®] insulated wire, backpotted with epoxy.

Page K-9



Series 811 HD Jam-nut Receptacle Connector Pigtails

Factory terminated jam-nut receptacle connector pigtails with PTFE or Tefzel[®] insulated wire, backpotted with epoxy.

Page K-11



Series 811 HD Jam-nut Straight PCB Receptacles

Jam-nut mount straight PC tail receptacles with enhanced environmental sealing for open-faced immersion requirements.

Page K-13



Series 811 HD Box Mount Straight PCB Receptacles

Box mount PC tail receptacles with enhanced environmental sealing for open-faced immersion requirements.

Page K-14



Series 811 HD Harsh Environment Cordsets

Overmolded Series 811 cordsets withstand rugged abrasion, fluid and chemical exposure. Silver-coated stranded conductors with TFE insulation, tinned copper braided shielding and extruded polyurethane jacket.

Page K-16

SERIES 811 HIGH-DENSITY



SERIES 811 High-Density Connectors

Mighty Mouse High-Density Connectors Deliver Additional Size and Weight Savings Plus Improved Mating Retention for High Vibration Applications

Series 811 Mighty Mouse HD connectors feature micro miniature TwistPin contacts for increased circuit density and outstanding shock and vibration performance. High-density .050" (1.27mm) contact spacing essentially doubles the pin count compared to standard Mighty Mouse. The unique spring construction of the pin contact improves mating retention, resulting in excellent resistance to high levels of shock and vibration. Three configurations are available: pre-wired pigtail cable assemblies with insulated hookup wire, shielded environmental cordsets, and printed circuit board receptacles. Connectors are backpotted with epoxy and are suitable for hostile environment applications. The Series 811 Mighty Mouse HD connector is a double-start ACME threaded series with 7, 12, 22, 30 and 42 contacts for size #26 to #30 AWG wire.



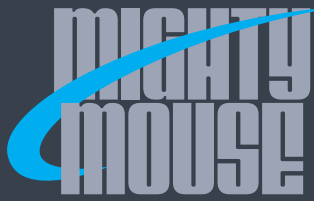
Series 811 Cable Plug
(shown without wire)



Series 811 Jam-Nut Receptacle
(shown without wire)

Features:

- High-Density Micro TwistPin Contact System
- 600 VAC DWV Rating
- 7 to 42 Contacts
- 3 Amp Current Rating
- Water Resistant to 1 Meter



SERIES 811 HIGH-DENSITY DOUBLE-START Mighty Mouse Connectors and Cables



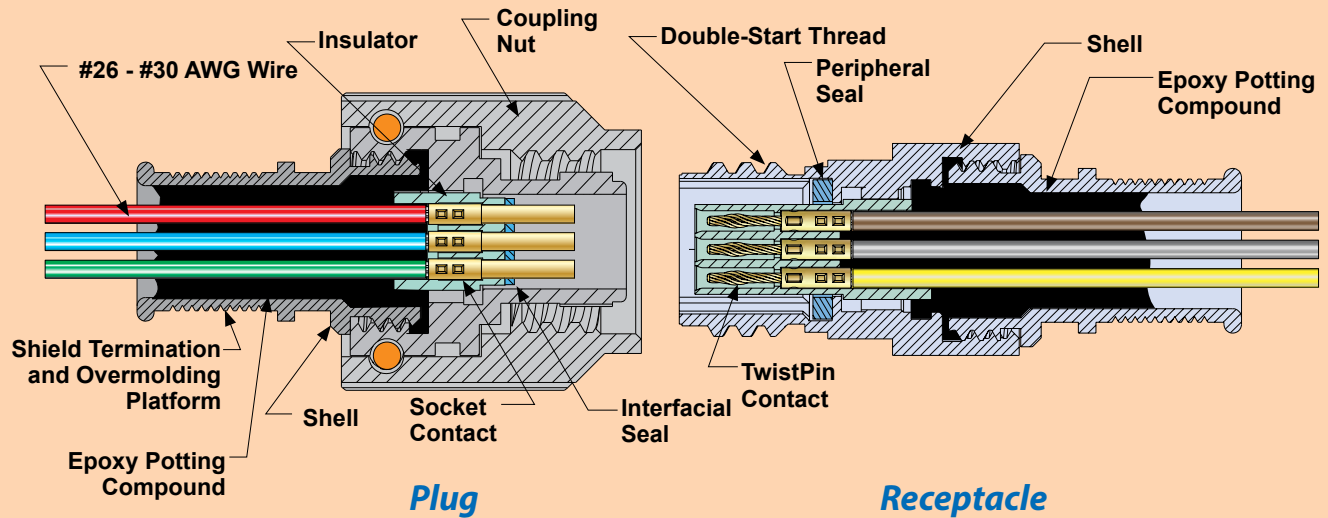
Series 811 Mighty Mouse High Density (HD) Cutaway View and Contact Layouts

SERIES 811 MIGHTY MOUSE HD WITH DOUBLE-START ACME MATING THREAD AND .050 INCH PITCH (1.27 MM) TWISTPIN CONTACT

Series 811 Mighty Mouse HD connector is a high-density version of the Mighty Mouse Series 801 connector. The Series 811 connector features a quick-mating, damage-resistant

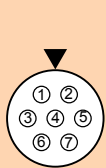
double-start thread with the Glenair TwistPin contact system for increased circuit density, superior contact conductivity, and vibration resistance compared to split-tine contacts.

Series 811 Mighty Mouse HD with Micro Miniature TwistPins

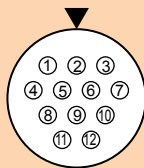


Series 811 Mighty Mouse HD Contact Arrangements

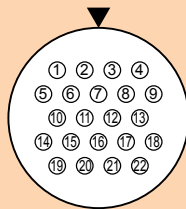
Pin insert shown, use reverse order for socket inserts.



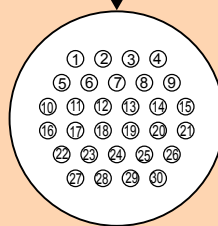
5-7
7 Contacts



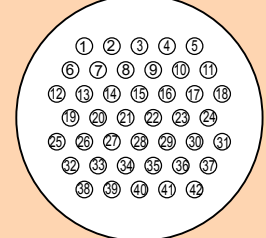
6-12
12 Contacts



7-22
22 Contacts

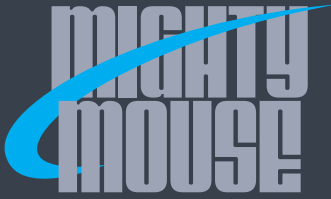


8-30
30 Contacts



9-42
42 Contacts

SERIES 811, MIGHTY MOUSE



SERIES 811 HIGH-DENSITY DOUBLE-START Mighty Mouse Connectors and Cables

Reference Information



About TwistPin Contacts

Widely used for radars, missiles, avionics, and space vehicles, the Micro TwistPin is a spring pin composed of helically wound strands of copper alloy wire, welded into a bundle, then "bulged" and crimped to a copper alloy sleeve. These gold over nickel plated pins and sockets offer low, stable contact resistance even when subjected to temperature extremes and vibration. Designers of miniaturized electronic equipment routinely select TwistPin contact interconnects such as the popular Micro-D rectangular in order to reduce the size and weight of equipment.

Unlike other microminiature contact systems, the TwistPin contact is terminated to wire with a military-approved four-indent crimp joint. Crimping results in a gas-tight connection between the wire and the contact .

TwistPin Contact



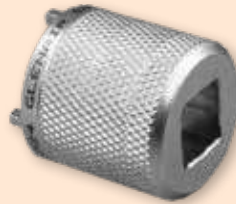
TwistPin



Socket

Jam-nut Tightening Tool

Tightening tools fit Series 811 spanner nuts supplied with jam-nut receptacle connectors. Use with square drive torque wrench. Torque to 20-25 inch-pounds (2.2-2.8 Nm). Carbon steel, nickel plated.

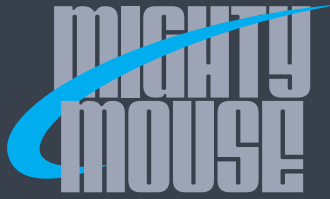


Shell Size	Jam-nut Tool Part Number	Drive Square
5	600-146-02	1/4" Drive
6	600-146-03	1/4" Drive
7	600-146-05	3/8" Drive
8	600-146-05	3/8" Drive
9	600-146-06	3/8" Drive

MIL-STD-681 Wire Color Code Chart

PIN NO.	MIL-STD-681 NUMBER	Base Color	First Stripe	Second Stripe	PIN NO.	MIL-STD-681 NUMBER	Base Color	First Stripe	Second Stripe
1	0	BLK			22	903	WHT	BLK	ORN
2	1	BRN			23	904	WHT	BLK	YEL
3	2	RED			24	905	WHT	BLK	GRN
4	3	ORN			25	906	WHT	BLK	BLU
5	4	YEL			26	907	WHT	BLK	VIO
6	5	GRN			27	908	WHT	BLK	GRY
7	6	BLU			28	912	WHT	BRN	RED
8	7	VIO			29	913	WHT	BRN	ORN
9	8	GRY			30	914	WHT	BRN	YEL
10	9	WHT			31	915	WHT	BRN	GRN
11	90	WHT	BLK		32	916	WHT	BRN	BLU
12	91	WHT	BRN		33	917	WHT	BRN	VIO
13	92	WHT	RED		34	918	WHT	BRN	GRY
14	93	WHT	ORN		35	923	WHT	RED	ORN
15	94	WHT	YEL		36	924	WHT	RED	YEL
16	95	WHT	GRN		37	925	WHT	RED	GRN
17	96	WHT	BLU		38	926	WHT	RED	BLU
18	97	WHT	VIO		39	927	WHT	RED	VIO
19	98	WHT	GRY		40	928	WHT	RED	GRY
20	901	WHT	BLK	BRN	41	934	WHT	ORN	YEL
21	902	WHT	BLK	RED	42	935	WHT	ORN	GRN

SERIES 811 HIGH-DENSITY



SERIES 811 HIGH-DENSITY DOUBLE-START Mighty Mouse Connectors and Cables

Performance Specifications



Application Note:

Sand and Dust Exposure

Glenair TwistPin contacts can be damaged by sand and dust. Unmated connectors should be covered to prevent debris and contamination from accumulating inside the contact cavities. Protective covers are recommended.

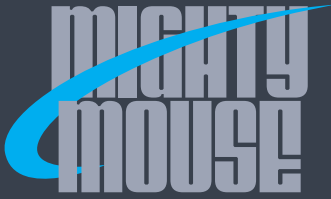
Specifications	
Current Rating	3 AMPS
Dielectric Withstanding Voltage	600 VAC sea level, 150 VAC at 70,000 ft.
Insulation Resistance	5000 megohms minimum
Operating Temperature	-65° C. to +175° C.
Contact Resistance	8 milliohms maximum
Low Level Contact Resistance	32 milliohms maximum
Water Immersion, Mated	MIL-STD-810G, Method 512.5 1 meter for 1 hour
Water Ingress, Mated	Ingress protection 67
Helium Leak rate, Sealed PC tail Receptacles (811-006)	1 x 10 ⁻⁴ cc/sec at 1 atmos. pressure differential, following 5 cycles of thermal shock
Shock	300 g's (MIL-DTL-38999 para. 4.5.21.1)
Vibration, Sine	60 g's (MIL-DTL-38999 para. 4.5.23.2.1)
Vibration, Random	23 g's (MIL-DTL-38999 para. 4.4.23.1)
Humidity	EIA-364-31, Cond. IV
Altitude-Low Temperature	EIA-364-105
Durability	2000 cycles of mating
Magnetic Permeability	2 μ maximum
Corrosion (Salt Spray)	Electroless Nickel finish (ME) 48 hours Nickel-PTFE finish (MT) 500 hours Zinc-Nickel with Black Chromate (ZR) 500 hours RoHS Zinc-Nickel with Black Chromate (ZNU) 500 hours RoHS
Shielding Effectiveness	55 dB minimum from 100 MHz to 1000 MHz.

Materials and Finishes	
Shell, Jam-nut, Coupling Nut	Aluminum alloy or SST
Contact	Copper alloy, 50 μ inch gold over nickel plated
Insulator	High grade rigid dielectric
Interfacial Seal, O-ring, Peripheral Seal	Fluorosilicone rubber

Series 811 Recommended Torque Values								
Layout	Coupling Torque				Jam-nut Tightening			
	In-Lbs.		N-m		In-Lbs.		N-m	
	Min.	Max.	Min.	Max.	Min.	Max.	Min.	Max.
5-7	25	35	2.8	4.0	20	25	2.2	2.8
6-12	35	40	4.0	4.5	20	25	2.2	2.8
7-22	35	40	4.0	4.5	20	25	2.2	2.8
8-30	40	50	4.5	5.7	20	25	2.2	2.8
9-42	40	50	4.5	5.7	20	25	2.2	2.8

Key Positions			
Position	A°	B°	
A	140°	220°	
B	65°	220°	
C	85°	240°	
D	130°	285°	
E	65°	285°	
F	85°	220°	

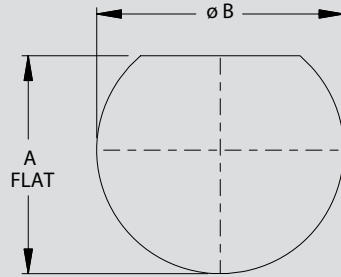
SERIES 811 HIGH-DENSITY



SERIES 811 HIGH-DENSITY DOUBLE-START Mighty Mouse Connectors and Cables Panel Cutouts

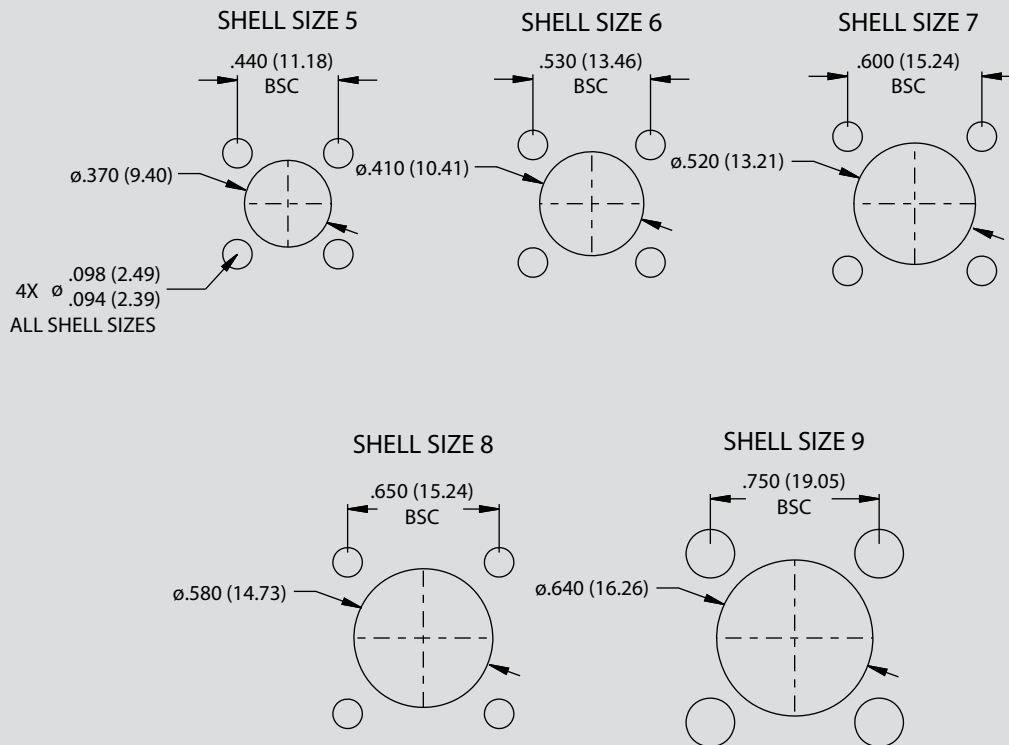


SERIES 811 REAR PANEL MOUNT, JAM-NUT PANEL CUTOUT DIMENSIONS

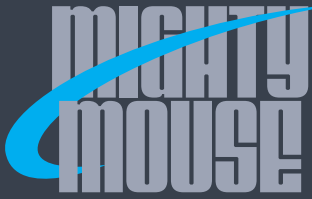


Dimensions		
Shell Size	Ø A Flat	Ø B
5	.358 (9.09)	.387 (9.83)
	.354 (8.99)	.383 (9.73)
6	.418 (10.62)	.449 (11.40)
	.414 (10.52)	.445 (11.30)
7	.544 (13.82)	.574 (14.58)
	.540 (13.72)	.570 (14.48)
8	.544 (13.82)	.574 (14.58)
	.540 (13.72)	.570 (14.48)
9	.604 (15.34)	.637 (16.18)
	.600 (15.24)	.633 (16.08)

SERIES 811 REAR PANEL MOUNT, JAM-NUT PANEL CUTOUT DIMENSIONS



SERIES 811 HIGH-DENSITY



SERIES 811 HIGH-DENSITY DOUBLE-START Mighty Mouse Connectors and Cables



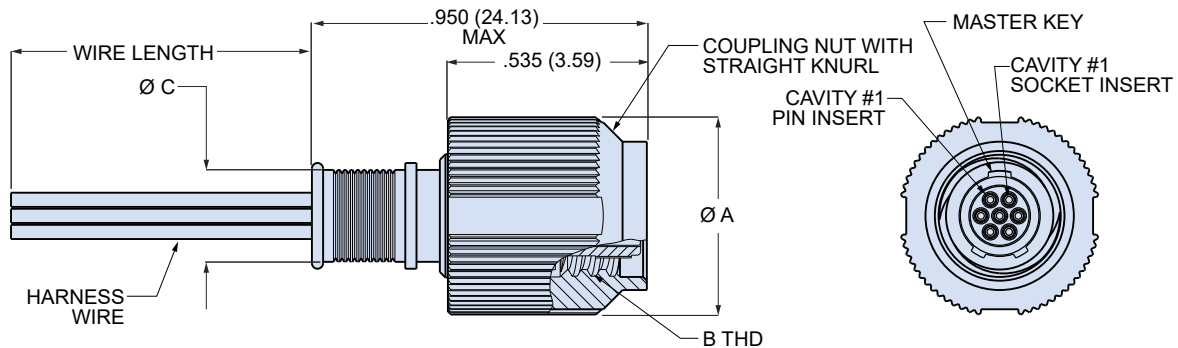
Pre-Wired Cable Plug Connector Pigtails



Pre-Wired Cable Plug Connectors Series 811 Mighty Mouse High-Density plugs feature damage-resistant double-start ACME mating threads and integral shielding/overmolding platforms. These plugs are factory-terminated to insulated wire and backpotted with epoxy. The TwistPin contact system meets requirements of MIL-DTL-83513 and provides outstanding resistance to high levels of shock and vibration. Choose Type K general purpose Teflon® wire or Type J lightweight space-grade Tefzel® wire. 3A current rating, 600 VAC dielectric withstanding voltage.

How To Order									
Sample Part Number	811-001-06	MT	5-7	P	A	6	K	7	-18
Series	811-001-06 = Plug with Standard Coupling								
Material/Finish	See Material and Finish Table								
Shell Size - Insert Arr.	5-7 = 7 Contacts 6-12 = 12 Contacts 7-22 = 22 Contacts 8-30 = 30 Contacts 9-42 = 42 Contacts								
Contact Type	P = Pin Contacts S = Socket Contacts								
Key Position	A = Normal Alternate Key Positions: B, C, D, E, F								
Wire size	6 = #26 AWG 8 = #28 AWG (color code 1 or 7 only) 0 = #30 AWG (Wire Type J, color code 1 or 7 only)								
Wire Type	K = M22759/11 J = M22759-33 E = NEMA HP3-EB								
Wire Color	1 = White 5 = Color code per MIL-STD-681 (striped)* 7 = 10 Solid colors, repeating								
Wire Length (inches)	12, 18, 36, 72 Specify any length from 2 inches to 144 inches								

*Size 28 AWG and Size 30 AWG J type wire not available in striped color code 5

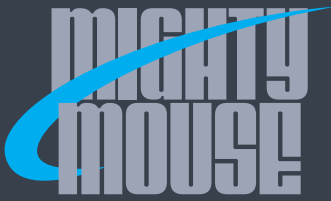


Material and Finish		
Code	Material	Finish
ME	Aluminum	Electroless Nickel
MT	Aluminum	Nickel-PTFE
ZNU*	Aluminum	Zinc-Nickel with Black Chromate
ZR*	Aluminum	Zinc-Nickel with Black Chromate
Z1	Stainless Steel	Passivated

* ZR and ZNU plating are identical, RoHS compliant and non-reflective. Capable of 500 hour dynamic corrosion performance

Dimensions					
Shell Size	Ø A		B Thread	Ø C	
	In.	mm.		In.	mm.
5	.540	13.72	.3125-.05P-.1L-2B	.246	6.25
6	.600	15.24	.375-.05P-.1L-2B	.286	7.26
7	.730	18.54	.4375-.05P-.1L-2B	.391	9.93
8	.800	20.32	.5000-.05P-.1L-2B	.443	11.25
9	.862	21.89	.5625-.05P-.1L-2B	.498	12.65

SERIES 811 HIGH-DENSITY



SERIES 811 HIGH-DENSITY DOUBLE-START Mighty Mouse Connectors and Cables



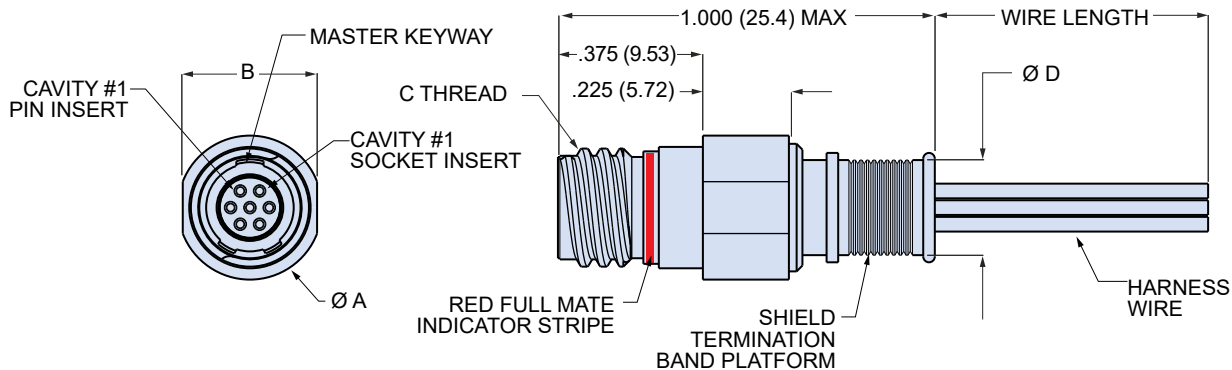
Pre-Wired In-Line Receptacle Connector Pigtails



Pre-Wired In-Line Receptacles Series 811 Mighty Mouse High Density in-line receptacles feature damage-resistant double-start ACME mating threads and integral shielding/overmolding platforms. These receptacles are factory-terminated to insulated wire and backpotted with epoxy. The TwistPin contact system meets requirements of MIL-DTL-83513 and provides outstanding resistance to high levels of shock and vibration. Choose Type K general purpose Teflon® wire or Type J lightweight space-grade Tefzel® wire. 3A current rating, 600 VAC dielectric withstanding voltage.

How To Order									
Sample Part Number	811-003-01	MT	5-7	S	A	8	K	7	-18
Series	811-003-01 = Inline								
Material/Finish	See Material and Finish Table								
Shell Size - Insert Arr.	5-7 = 7 Contacts 6-12 = 12 Contacts 7-22 = 22 Contacts			8-30 = 30 Contacts 9-42 = 42 Contacts					
Contact Type	P = Pin Contacts S = Socket Contacts								
Key Position	A = Normal Alternate Key Positions: B, C, D, E, F								
Wire size	6 = #26 AWG 8 = #28 AWG (color code 1 or 7 only)			0 = #30 AWG (Wire Type J, color code 1 or 7 only)					
Wire Type	K = M22759/11 J = M22759-33 E = NEMA HP3-EB								
Wire Color	1 = White 5 = Color code per MIL-STD-681 (striped)*		7 = 10 Solid colors, repeating						
Wire Length (inches)	12, 18, 36, 72 Specify any length from 2 inches to 144 inches								

*Size 28 AWG and Size 30 AWG J type wire not available in striped color code 5

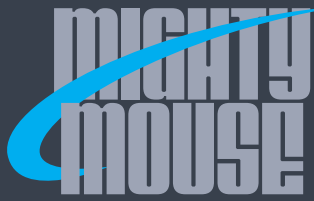


Material and Finish		
Code	Material	Finish
ME	Aluminum	Electroless Nickel
MT	Aluminum	Nickel-PTFE
ZNU*	Aluminum	Zinc-Nickel with Black Chromate
ZR*	Aluminum	Zinc-Nickel with Black Chromate
Z1	Stainless Steel	Passivated

* ZR and ZNU plating are identical, RoHS compliant and non-reflective. Capable of 500 hour dynamic corrosion performance

Dimensions							
Shell Size	Ø A		B Flat		C Thread	Ø D	
	In.	mm.	In.	mm.		In.	mm.
5	.375	9.53	.350	8.89	.3125-.05P-.1L-2A	.246	6.25
6	.415	10.54	.390	9.91	.3750-.05P-.1L-2A	.286	7.26
7	.500	12.70	.475	12.07	.4375-.05P-.1L-2A	.391	9.93
8	.580	14.73	.555	14.10	.5000-.05P-.1L-2A	.443	11.25
9	.635	16.13	.610	15.49	.5625-.05P-.1L-2A	.498	12.65

SERIES 811 HIGH-DENSITY



SERIES 811 HIGH-DENSITY DOUBLE-START Mighty Mouse Connectors and Cables



Pre-Wired Wall Mount Receptacle Connector Pigtails



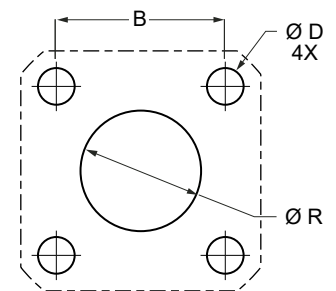
Wall Mount Pigtail Receptacles series 811 Mighty Mouse High Density panel mount receptacles feature damage-resistant double-start ACME mating threads. These receptacles are factory-terminated to insulated wire and backpotted with epoxy. The TwistPin contact system meets requirements of MIL-DTL-83513 and provides outstanding resistance to high levels of shock and vibration. Choose Type K general purpose Teflon® wire or Type J lightweight space-grade Tefzel® wire. 3A current rating, 600 VAC dielectric withstanding voltage.

How To Order	
Sample Part Number	811-003-02 MT 5-7 P A 6 K 7 -18
Series (See Table I)	811-003-02 = Wall Mount Receptacle Connector with Termination Platform for Shield Attachment or Overmolding 811-004-02 = Low Profile Wall Mount Receptacle Connector
Material/Finish (See Table II)	See Material and Finish Table
Shell Size - Insert Arr.	5-7 = 7 Contacts 6-12 = 12 Contacts 7-22 = 22 Contacts 8-30 = 30 Contacts 9-42 = 42 Contacts
Contact Type	P = Pin Contacts S = Socket Contacts
Key Position	A = Normal Alternate Key Positions: B, C, D, E, F
Wire size	6 = #26 8 = #28 (Color code 1 or 7 only) 0 = #30 (Wire Type J, color code 1 or 7 only)
Wire Type	K = M22759/11 J = M22759-33 E = NEMA HP3-EB
Wire Color	1 = White 5 = Color code per MIL-STD-681 (striped)* 7 = 10 Solid colors, repeating
Wire Length (inches)	12, 18, 36, 72 Specify any length from 2 inches to 144 inches

*Size 28 AWG and Size 30 AWG J type wire not available in striped color code 5

Table I: Series	
811-005-02 Receptacle with Banding Platform	811-004-02 Low Profile Receptacle without Banding Platform

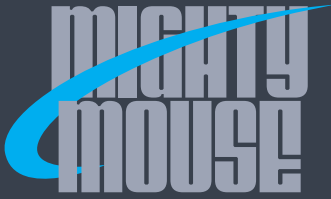
Panel Cutout			
Shell Size	ØR	B BSC	ØD
5	.328 (8.33)	.363 (9.22)	.096 (2.44) .091 (2.31)
6	.390 (9.91)	.423 (10.74)	.096 (2.44) .091 (2.31)
7	.453 (11.51)	.483 (12.27)	.096 (2.44) .091 (2.31)
8	.515 (13.08)	.545 (13.84)	.096 (2.44) .091 (2.31)
9	.578 (14.68)	.607 (15.42)	.130 (3.30) .126 (3.20)



Material and Finish		
Code	Material	Finish
ME	Aluminum	Electroless Nickel
MT	Aluminum	Nickel-PTFE
ZNU*	Aluminum	Zinc-Nickel with Black Chromate
ZR*	Aluminum	Zinc-Nickel with Black Chromate
Z1	Stainless Steel	Passivated

* **ZR** and **ZNU** plating are identical, RoHS compliant and non-reflective. Capable of 500 hour dynamic corrosion performance

SERIES 811 HIGH-DENSITY

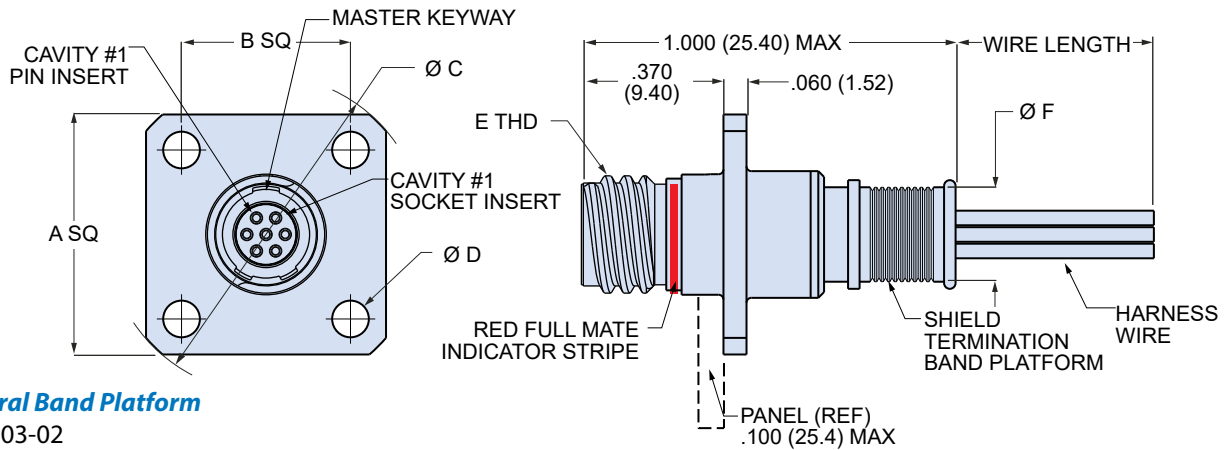


SERIES 811 HIGH-DENSITY DOUBLE-START Mighty Mouse Connectors and Cables



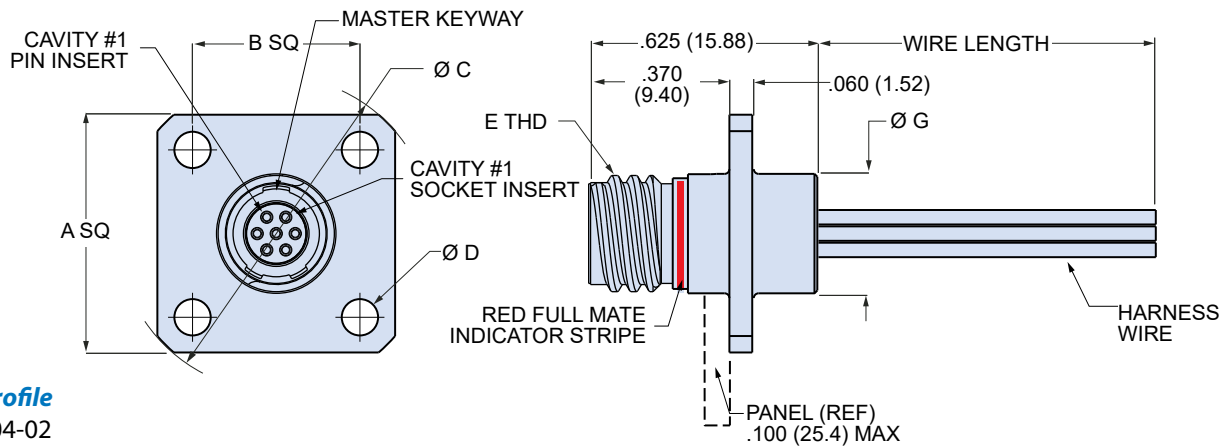
Pre-Wired Wall Mount Receptacle Connector Pigtails

WALL MOUNT RECEPTACLE, LOW PROFILE OR WITH BAND PLATFORM



Integral Band Platform

811-003-02



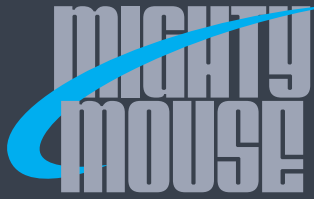
Low Profile

811-004-02

Dimensions

Shell Size	A Square		B Square		Ø C		Ø D		E Thread	Ø F		Ø G	
	In.	mm.	In.	mm.	In.	mm.	In.	mm.		In.	mm.	In.	mm.
5	.625	15.88	.440	11.18	.825	20.96	.093	2.36	.3125-.05P-.1L-2A	.246	6.25	.320	8.13
6	.725	18.42	.530	13.46	.950	24.13	.093	2.36	.3750-.05P-.1L-2A	.286	7.26	.375	9.53
7	.800	20.32	.600	15.24	1.050	26.67	.093	2.36	.4375-.05P-.1L-2A	.391	9.93	.480	12.19
8	.850	21.59	.650	16.51	1.125	28.58	.093	2.36	.5000-.05P-.1L-2A	.443	11.25	.540	13.72
9	.950	24.13	.750	19.05	1.250	31.75	.093	2.36	.5625-.05P-.1L-2A	.498	12.65	.600	15.24

SERIES 811 HIGH-DENSITY



SERIES 811 HIGH-DENSITY DOUBLE-START Mighty Mouse Connectors and Cables Jam-Nut Receptacle Connector Pigtails



Jam-Nut Pre-Wired Receptacles Series 811 Mighty Mouse High Density rear panel mount jam-nut receptacles feature damage-resistant double-start ACME mating threads. These receptacles are factory-terminated to insulated wire and backpotted with epoxy. The TwistPin contact system meets requirements of MIL-DTL-83513 and provides outstanding resistance to high levels of shock and vibration. Choose Type K general purpose Teflon® wire or Type J lightweight space-grade Tefzel® wire. 3A current rating, 600 VAC dielectric withstanding voltage.

How To Order	
Sample Part Number	811-003-07 MT 5-7 P A 6 K 7 -18
Series	811-003-07 = Jam-Nut Mount with Band Platform 811-004-07 = Low Profile Jam-nut Mount, no Band Platform
Material/Finish	See Material and Finish Table
Shell Size - Insert Arr.	5-7 = 7 Contacts 6-12 = 12 Contacts 7-22 = 22 Contacts 8-30 = 30 Contacts 9-42 = 42 Contacts
Contact Type	P = Pin Contacts S = Socket Contacts
Key Position	A = Normal Alternate Key Positions: B, C, D, E, F
Wire size	6 = #26 AWG 8 = #28 AWG (Color code 1 or 7 only) 0 = #30 AWG (Wire Type J, color code 1 or 7 only)
Wire Type	K = M22759/11 J = M22759-33 E = NEMA HP3-EB
Wire Color	1 = White 5 = Color code per MIL-STD-681 (striped)* 7 = 10 Solid colors, repeating
Wire Length (inches)	12, 18, 36, 72 Specify any length from 2 inches to 144 inches

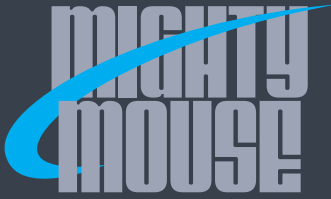
*Size 28 AWG and Size 30 AWG J type wire not available in striped color code 5

Material and Finish		
Code	Material	Finish
ME	Aluminum	Electroless Nickel
MT	Aluminum	Nickel-PTFE
ZNU*	Aluminum	Zinc-Nickel with Black Chromate
ZR*	Aluminum	Zinc-Nickel with Black Chromate
Z1	Stainless Steel	Passivated

* **ZR** and **ZNU** plating are identical, RoHS compliant and non-reflective. Capable of 500 hour dynamic corrosion performance

Table I: Series	
811-003-07 Panel Mount Jam-nut Receptacle Banding Platform	811-004-07 Low Profile Panel Mount Jam-nut Receptacle, No Band Platform

SERIES 811 HIGH-DENSITY

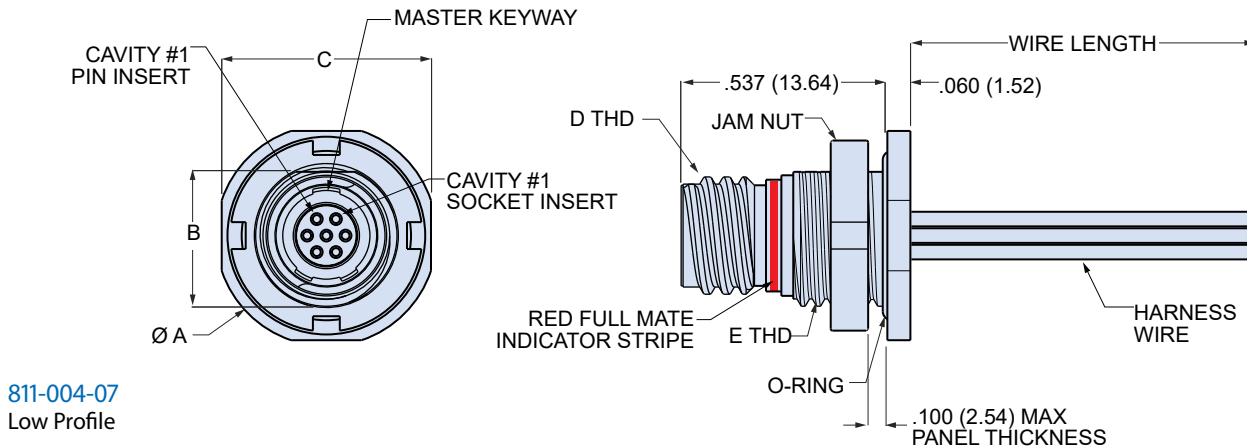
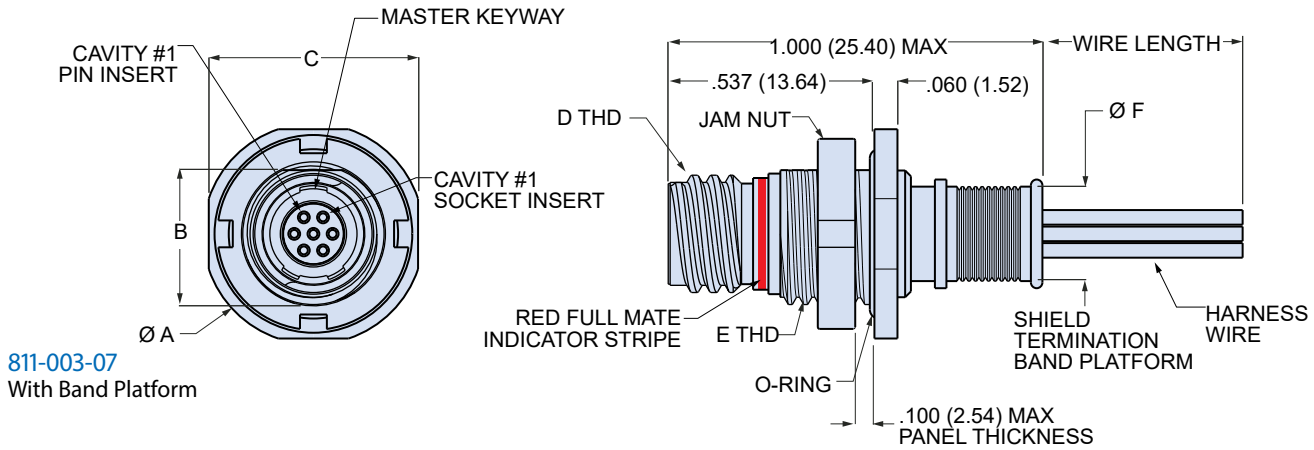


SERIES 811 HIGH-DENSITY DOUBLE-START Mighty Mouse Connectors and Cables

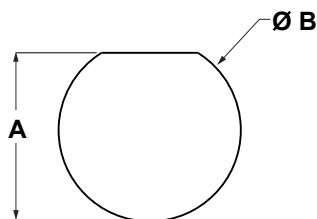
Jam-Nut Receptacle Connector Pigtails



JAM-NUT, LOW PROFILE RECEPTACLE WITH OR WITHOUT SHIELD TERMINATION BAND PLATFORM

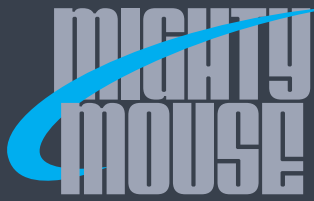


Shell Size	Ø A		B		C		D Thread	E THD UN-2A	Ø F	
	In.	mm.	In.	mm.	In.	mm.			In.	mm.
5	.575	14.61	.350	8.89	.545	13.84	.3125-.05P-.1L-2A	.375-28	.246	6.25
6	.635	16.13	.410	10.41	.595	15.11	.3750-.05P-.1L-2A	.4375-28	.286	7.26
7	.755	19.18	.536	13.61	.723	18.36	.4375-.05P-.1L-2A	.5625-32	.391	9.93
8	.755	19.18	.536	13.61	.723	18.36	.5000-.05P-.1L-2A	.5625-32	.443	11.25
9	.830	21.08	.596	15.14	.790	20.07	.5625-.05P-.1L-2A	.625-28	.498	12.65



Shell Size	A		B Ø	
	In.±.002	mm.±0.05	In.±.002	mm.±0.05
5	.356	9.04	.385	9.78
6	.416	10.57	.447	11.35
7	.542	13.77	.572	14.53
8	.542	13.77	.572	14.53
9	.602	15.29	.635	16.13

SERIES 811 HIGH-DENSITY



SERIES 811 HIGH-DENSITY DOUBLE-START Mighty Mouse Connectors and Cables



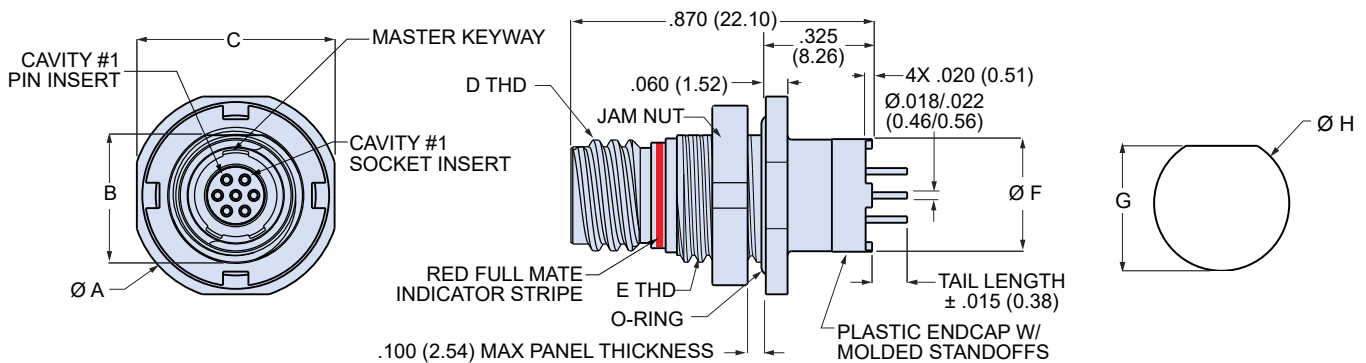
Jam-nut Straight PCB Receptacle Connectors



Jam-nut PC Tail Receptacles Series 811 Mighty Mouse High Density jam-nut PCB receptacles have straight PC tails for termination to flex circuits or rigid boards. These receptacles are backpotted with epoxy. The TwistPin contact system meets requirements of MIL-DTL-83513 and provides outstanding resistance to high levels of shock and vibration. Choose solder-dipped or gold-plated tails. Select 811-006-07 with enhanced waterblocking for open face (unmated) immersion requirements. Molded plastic endcap has standoffs. 3A current rating, 600 VAC dielectric withstanding voltage.

How To Order							
Sample Part Number	811-005-07 MT 5-7 P A 3 -.125						
Series	811-005-07 Series 811 rear panel mount jam-nut receptacle, straight pc tails, standard epoxy sealing 811-006-07 Series 811 rear panel mount jam-nut receptacle, straight pc tails, enhanced water blocking for open face (unmated) water immersion						
Material/Finish*	ME = Al/Electroless Nickel ZR* = Al/Zinc-Nickel with Black Chromate MT = Al/Nickel-PTFE ZNU* = Al/Zinc-Nickel with Black Chromate Z1 = SST/Passivated						
Shell Size - Insert Arr.	5-7 = 7 Contacts		7-22 = 22 Contacts		9-42 = 42 Contacts		
Contact Type	P = Pin Contacts S = Socket Contacts						
Key Position	A = Normal Alternate Key Positions: B, C, D, E, F						
PC Tail Finish	3 = Solder-Dipped in 63/37 Tin-Lead			4 = Gold Plated			
PC Tail Length	.090, .125, .250 (Other lengths are readily available)						

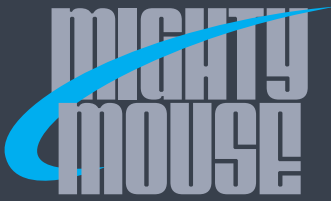
* **ZR** and **ZNU** plating are RoHS compliant, non-reflective, capable of 500 hour dynamic corrosion performance.



Dimensions										
Shell Size	Ø A		B		C		D Thread	E THD UN-2A	Ø F	
	In.	mm.	In.	mm.	In.	mm.			In.	mm.
5	.575	14.61	.350	8.89	.545	13.84	.3125-.05P-.1L-2A	.375-28	.350	8.89
6	.635	16.13	.410	10.41	.602	15.29	.3750-.05P-.1L-2A	.4375-28	.490	12.45
7	.755	19.18	.536	13.61	.723	18.36	.4375-.05P-.1L-2A	.5625-32	.600	15.24
8	.755	19.18	.536	13.61	.723	18.36	.5000-.05P-.1L-2A	.5625-32	.670	17.02
9	.830	21.08	.596	15.14	.791	20.09	.5625-.05P-.1L-2A	.625-28	.770	19.56

Panel Cutout				
Shell Size	G		H Ø	
	In.±.002	mm.±0.05	In.±.002	mm.±0.05
5	.356	9.04	.385	9.78
6	.416	10.57	.447	11.35
7	.542	13.77	.572	14.53
8	.542	13.77	.572	14.53
9	.602	15.29	.635	16.13

SERIES 811 HIGH-DENSITY



SERIES 811 HIGH-DENSITY DOUBLE-START Mighty Mouse Connectors and Cables



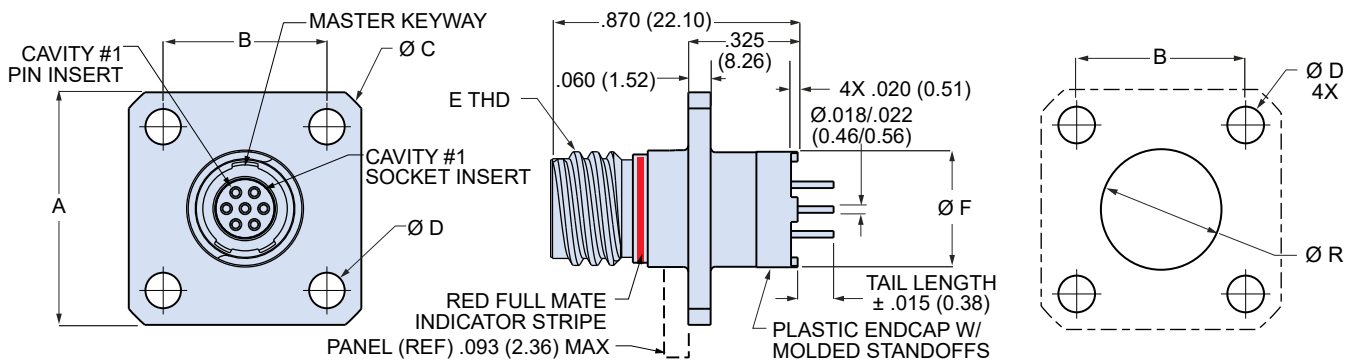
Box Mount Straight PCB Receptacle Connectors



Box Mount PC Tail Receptacles Series 811 Mighty Mouse High Density jam-nut PCB receptacles have straight PC tails for termination to flex circuits or rigid boards. These receptacles are backpotted with epoxy. The TwistPin contact system meets requirements of MIL-DTL-83513 and provides outstanding resistance to high levels of shock and vibration. Choose solder-dipped or gold-plated tails. Choose 811-006-02 with enhanced waterblocking for open face (unmated) immersion requirements. Molded plastic endcap has standoffs. 3A current rating, 600 VAC dielectric withstanding voltage.

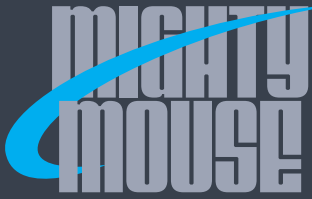
How To Order							
Sample Part Number	811-005-02	MT	5-7	P	A	3	-.125
Series	811-005-02 Series 811 Rear Panel Mount Box Mount Receptacle, Straight PC Tails, Standard Epoxy Sealing 811-006-02 Series 811 Rear Panel Mount Box Mount Receptacle, Straight PC Tails, Enhanced Water Blocking for Open Face (Unmated) Water Immersion						
Material/Finish *	ME = Al/Electroless Nickel ZR* = Al/Zinc-Nickel with Black Chromate MT = Al/Nickel-PTFE ZNU* = Al/Zinc-Nickel with Black Chromate Z1 = SST/Passivated						
Shell Size - Insert Arr.	5-7 = 7 Contacts		7-22 = 22 Contacts		9-42 = 42 Contacts		
Contact Type	P = Pin Contacts S = Socket Contacts						
Key Position	A = Normal Alternate Key Positions: B, C, D, E, F						
PC Tail Finish	3 = Solder-Dipped in 63/37 Tin-Lead 4 = Gold Plated						
PC Tail Length	.090, .125, .250 (Other lengths are readily available)						

* **ZR** and **ZNU** plating are RoHS compliant, non-reflective, capable of 500 hour dynamic corrosion performance.



Shell Size	Dimensions										
	A Square		B Square		Ø C		Ø D		E Thread	Ø F	
	In.	mm.	In.	mm.	In.	mm.	In.	mm.		In.	mm.
5	.625	15.88	.440	11.18	.825	20.96	.093	2.36	.3125-.05P-.1L-2A	.350	8.89
6	.725	18.42	.530	13.46	.950	24.13	.093	2.36	.3750-.05P-.1L-2A	.490	12.45
7	.800	20.32	.600	15.24	1.050	26.67	.093	2.36	.4375-.05P-.1L-2A	.600	15.24
8	.850	21.59	.650	16.51	1.125	28.58	.093	2.36	.5000-.05P-.1L-2A	.670	17.02
9	.950	24.13	.750	19.05	1.250	31.75	.093	2.36	.5625-.05P-.1L-2A	.770	19.56

Shell Size	Panel Cutout	
	Ø G	
	In.	mm.
5	.360	9.14
6	.410	10.41
7	.520	13.21
8	.570	14.48
9	.660	16.76

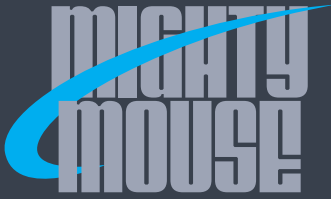


SERIES 811 HIGH-DENSITY DOUBLE-START Mighty Mouse Connectors and Cables



PCB Footprints for Receptacle Connectors

Component Mounting Side of PCB	
<p>Pin Mating Face 5-7</p>	<p>Socket PCB Footprint</p>
<p>Pin Mating Face 6-12</p>	<p>Socket PCB Footprint</p>
<p>Pin Mating Face 7-22</p>	<p>Socket PCB Footprint</p>
<p>Pin Mating Face 8-30</p>	<p>Socket PCB Footprint</p>
<p>Pin Mating Face 9-42</p>	<p>Socket PCB Footprint</p>



SERIES 811 HIGH-DENSITY DOUBLE-START Mighty Mouse Connectors and Cables

Harsh Environment Cordsets



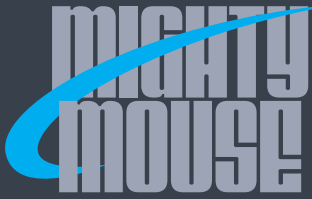
Harsh Environment Cordsets Overmolded Series 811 cordsets withstand abrasion and chemical exposure. Cable construction features silver coated stranded conductors with TFE insulation, tinned copper braid shield and extruded black polyurethane jacket. Choose single-ended pigtails or double-ended "back-to-back" cables. Semi-rigid polyamide overmold provides strain relief and environmental sealing.

- **Tough polyurethane jacket, low-smoke, zero halogen**
- **Water-resistant to 1 meter**
- **100% electrically tested**
- **Shielded with 90% minimum tinned copper braid**
- **Straight or right angle**
- **Easy to order, quick delivery**

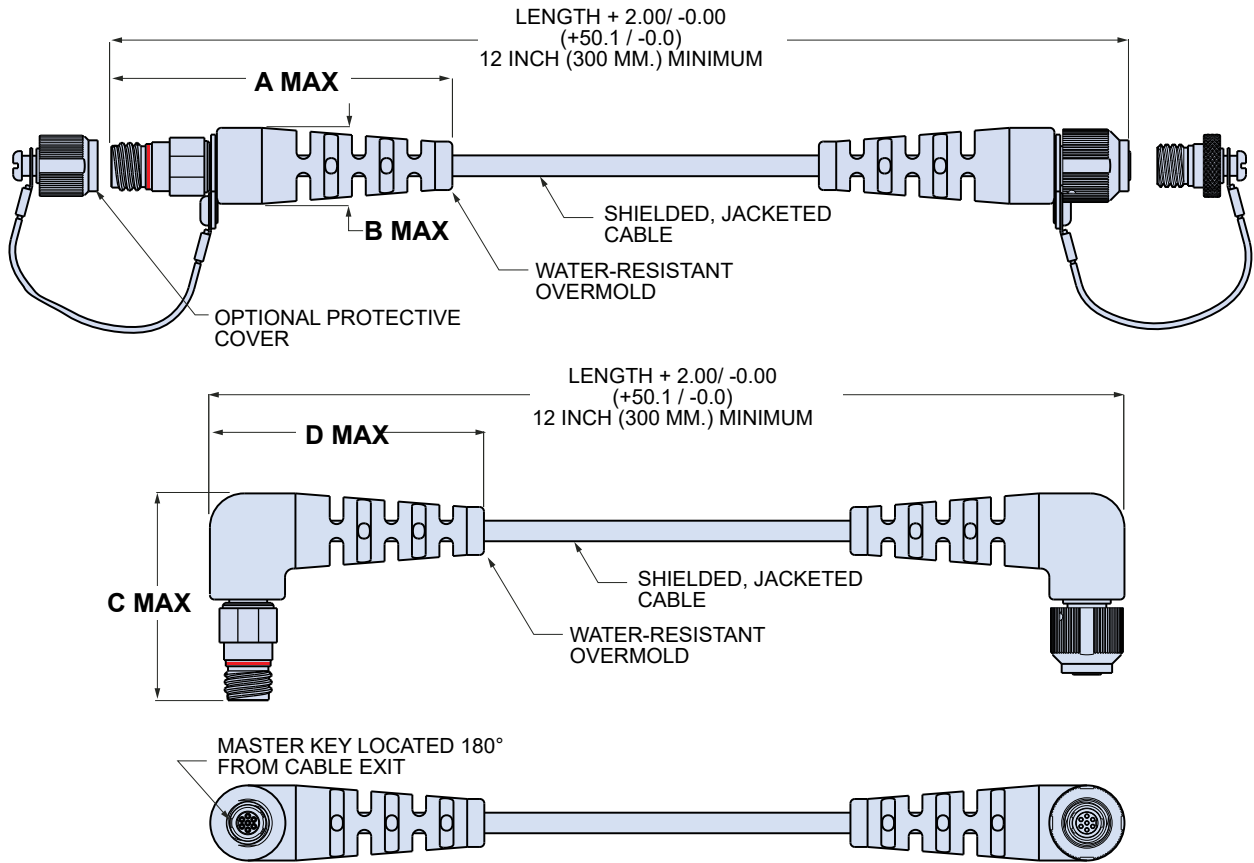
How To Order	
Sample Part Number	811-007 -A S C S 6 MT 5-7 P A -60
Series	811-007 = Overmolded Cordset
End "A" Connector	-A = Plug with Female Socket Contacts -B = Plug with Male Pin Contacts -C = Receptacle with Male Pin Contacts -D = Receptacle with Female Socket Contacts
End "A" Configuration	S = Straight R = Right Angle
End "B" Connector	A = Plug with Female Socket Contacts B = Plug with Male Pin Contacts C = Receptacle with Male Pin Contacts D = Receptacle with Female Socket Contacts N = No Connector (Single-Ended Pigtail)
End "B" Configuration	S = Straight R = Right Angle (Omit For Single-Ended Pigtail)
Wire Size	6 = #26 Awg
Shell Finish	ME = Al/Electroless Nickel ZR* = Al/Zinc-Nickel with Black Chromate MT = Al/Nickel-PTFE ZNU* = Al/Zinc-Nickel with Black Chromate Z1 = SST/Passivated
Layout (Shell Size-Cont.)	5-7, 6-12, 7-22, 8-30, 9-42
Protective Cover	P = Metal Protective Covers Included N = No Protective Covers
Key Position	A = Normal Alternate Key Positions: B, C, D, E, F
Length in Inches	Overall Length In Inches (12 Inch Minimum)

* ZR and ZNU plating are RoHS compliant, non-reflective, capable of 500 hour dynamic corrosion performance.

SERIES 811 HIGH-DENSITY



SERIES 811 HIGH-DENSITY DOUBLE-START Mighty Mouse Connectors and Cables Harsh Environment Cordsets



Dimensions								
Shell Size	A Max.		B Max.		C Max.		D Max.	
	In.	mm.	In.	mm.	In.	mm.	In.	mm.
5	2.50	63.5	0.60	15.3	2.20	55.9	1.50	38.1
6	2.50	63.5	0.60	15.3	2.20	55.9	1.50	38.1
7	2.50	63.5	0.70	17.8	2.40	61.0	1.50	38.1
8	2.60	66.0	0.75	19.1	2.50	63.5	1.60	40.7
9	2.90	73.7	0.85	21.6	2.70	68.6	1.90	48.3

NOTES

Material and Finishes

- Cable Jacket Material: Thermoplastic Polyurethane, Black, Low-Smoke, Zero-Halogen
- Cable Shield: Tin-Coated Copper Braid, 90% Minimum Coverage
- Conductors: Silver Coated Stranded Wire, TFE Insulated, Per M22759/11
- Band-Master™ ATS Shield Termination Band: Stainless Steel
- Current Rating: 3 A.
- Test Voltage (Dielectric Withstanding Voltage): 600 VAC Sea Level
- Insulation Resistance: 200 megohms minimum
- Operating Temperature: -30° C. to +105° C.
- Solvent Resistance, Polyamide Overmold: Excellent Resistance to Most Solvents, Fuels, and Oils; Poor Resistance to Strong Acids and Bipolar Solvents (Alcohol)
- Shielding Effectiveness: 50 dB minimum from 100MHz to 1000MHz.



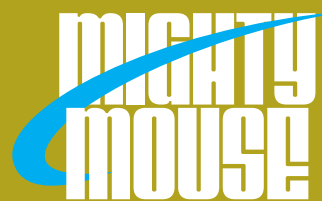
SERIES 80 MIGHTY MOUSE

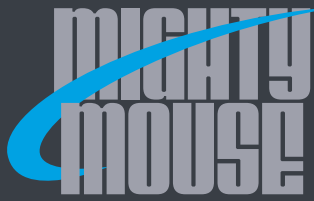
Turnkey Ruggedized Cordsets and Jumpers

Available in all mating styles for standard signal and high-speed



Series 80 turnkey jumpers and single-ended pigtail assemblies supplied with rugged shielding, jacketing, and wire-to-connector strain relief for aerospace and commercial datalink protocol applications.





Series 80 Mighty Mouse

Ethernet, IEEE1394, and USB 2.0 Selection Guide



Series 80 Cordsets

Connector features and benefits, cordset selection guide

Page L-2



Mighty Mouse-to-Mighty Mouse Connector Cordsets / Jumpers and Single-Ended Pigtails

Connect Mighty Mouse equipped devices to allow for data transmission across Ethernet, IEEE1394, and USB 2.0. Available with Mighty Mouse Series 800, 801, 803, 804, 805 connectors

Page L-4



Mighty Mouse-to-Commercial USB 2.0 Connector Cordsets / Jumpers

Connect Mighty Mouse equipped devices to computer equipment via a standard USB Type A port. Available with Mighty Mouse Series 800, 801, 803, 804, 805 connectors

Page L-11



Mighty Mouse-to-Commercial RJ45 Cat 5e Ethernet Connector Cordsets / Jumpers

Connect Mighty Mouse equipped devices to LAN (local area network) via standard RJ45 jack. Available with Mighty Mouse Series 800, 801, 803, 804, 805 connectors

Page L-13



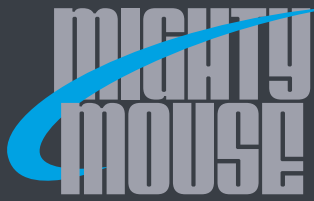
SERIES 80 Cordsets

for Standard Signal, High-Speed Ethernet, and USB Applications

High-reliability aerospace and defense systems have adopted commercial data protocols such as Ethernet and USB. However, commercial-grade connectors such as RJ45 modular plugs are not suitable for airframe or tactical deployments where shielding, environmental protection, and mechanical robustness are prime considerations. The Mighty Mouse connector, because of its compact size, ruggedness, and in-stock availability, is widely deployed for 100BASE-T, 1000BASE-T, and USB 2.0 applications on commercial air transport, military airframe, unmanned vehicles, and dismounted soldiers. This section of the Series 80 catalog provides ordering information and technical information on Mighty Mouse cordsets for standard signal, Ethernet, and USB applications. The cordsets in this section feature military-grade construction, overmolding, shielding, and jacketing.

Mighty Mouse for 100BASE-T
*compared to RJ45 Plug in
MIL-DTL-38999 Connector*

- **Compact Weight-Saving Design with size #23 Contacts**
- **USB 2.0, 100BASE-T, 1000BASE-T, IEEE 1394**
- **Environmentally Protected, Robust Construction**
- **Aerospace-Grade Cable Meets FAA FAR 25 Flammability**
- **Tactical-Grade Cable Meets Low-Toxicity Requirements**
- **Silver-Coated Copper Braid Shield With 95% Coverage over Aluminized Mylar Shield**
- **Threaded Coupling, Quick-Disconnect or Bayonet Mating**



Series 80 Mighty Mouse

Cordset Connector Order Guide

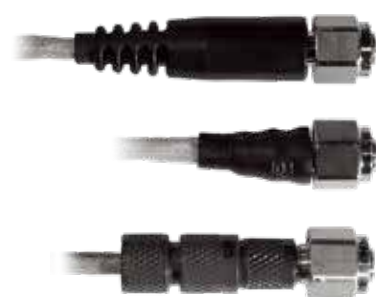


**100BASE-T Cordset
with 4 Pin Series 800 Connector**

Upgrade commercial high-speed serial interconnects to mil-spec performance. Glenair Mighty Mouse cordsets are available for 100BASE-T, Gigabit Ethernet, IEE 1394, and USB 2.0 applications. These cordsets combine aerospace-grade data cables with Series 80 Mighty Mouse harsh environment connectors for maximum performance and minimum size.

Three strain relief options – Standard overmolded cables offer excellent strain-relief and cable sealing. Or, choose heatshrink boots for smallest form factor. If repairability and ruggedness are important, choose machined aluminum EMI backshells.

FEP jackets meet FAA flammability requirements. Or, choose **low smoke / zero halogen polyurethane jackets** for mass-transit or shipboard applications.



Three reasons to specify Glenair Series 80 cordsets

1 Simplified Ordering: No need to buy cable, connectors, termination tools, and strain reliefs.

2 Guaranteed Performance: All cordsets are 100% electrically tested.

3 Faster Delivery: Cable and connector components are in stock.

How To Order Cordsets

Step 1: Select the Connector Series

Table 1 lists the five types of Series 80 connectors. For more information on selecting a connector, please refer to the connector selection chart on the following page. This section does not contain ordering information for series 802 AquaMouse™ cordsets. Please contact Glenair for information on hazardous environment high pressure cables for the 802 Series.

Step 2: Select the Cable

Table 2 contains specifications for standard data cables. The cable type also determines the connector layout. **4 pin connectors are used for 4 wire cables, and 10 pin connectors are used for 8 wire cables.**

Step 3: Select a Cable Jacket

Table 3 shows available jacket options. Choose FEP fluoro-carbon jackets for airframe and avionics applications, or choose low smoke/zero halogen polyurethane jackets for soldier systems, vehicles, and transit systems.

Step 4: Select a Cable-To-Connector Interface

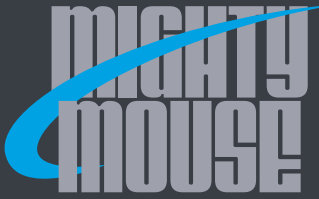
Table 3 provides three ways to attach the cable to the connector:

1. Polyamide boot, overmolded with flexible strain relief
2. Aluminum backshell, shielded, watertight and removable
3. Heat-shrink boot, low smoke/ zero halogen

Step 5: Select a Connector Configuration

Table 1 shows connector codes for specifying plug versus receptacle and pin versus socket contacts. Add a plating code, keying option and length.

SERIES 80 MIGHTY MOUSE CORDSETS

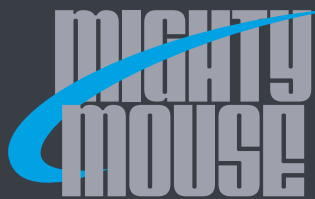


Series 80 Mighty Mouse

Mighty Mouse-to-Mighty Mouse Connector Cordsets and Single-Ended Pigtails

SERIES 80 MIGHTY MOUSE CORDSETS

How To Order	
Sample Part Number	801-024 B F P A C M P Z -72
Connector Series	<p>800-035 = Series 800 Cordset, UNF Threaded Coupling, Hex Nut</p> <p>801-024 = Series 801 Cordset, Double-Start Threaded Coupling</p> <p>803-007 = Series 803 Cordset, Push-Pull With Bayonet Lock Coupling</p> <p>804-013 = Series 804 Cordset, Quick-Disconnect Push-Pull</p> <p>805-007 = Series 805 Cordset, Tri-Start Threaded Coupling with Ratchet and Ground Spring</p>
Cable	<p>A = 100BASE-T Ethernet 4 Cond. UTP, OAL Shield 4 Pin Connector</p> <p>B = 100BASE-T Ethernet Quad, OAL Shield, 4 Pin Connector</p> <p>C = 1000BASE-T Gigabit Ethernet 8 Cond. UTP, OAL Shield, 10 Pin Connector</p> <p>D = IEEE 1394 High-Speed Quad 110 Ohm, 4 Pin Connector</p> <p>E = USB 2.0, Two #22 Power, One STP #26</p> <p>F = Two STP, 100 Ohm, OAL Shield, 4 Pin Connector</p> <p>G = Four STP, 100 Ohm, OAL Shield, 10 Pin Connector</p>
Cable Jacket	<p>F = FEP Fluorocarbon Jacket, Translucent Blue</p> <p>P = Low Smoke/ Zero Halogen Polyurethane Jacket, Black</p>
Strain Relief	<p>P = Polyamide Overmold</p> <p>B = Metal Backshell</p> <p>H = Heat-Shrink Boot, Low Smoke/ Zero Halogen</p>
Connector End A P1	<p>A = Plug, with Male Pin Contacts C = Receptacle, with Male Pin Contacts</p> <p>B = Plug, with Female Socket Contacts D = Receptacle, with Female Socket Contacts</p>
Connector End B P2	<p>A = Plug, with Male Pin Contacts D = Receptacle, with Female Socket Contacts</p> <p>B = Plug, with Female Socket Contacts N = No Connector (Single-Ended)</p> <p>C = Receptacle, with Male Pin Contacts</p>
Shell Material / Finish	<p>M = Aluminum/Electroless Nickel</p> <p>NF = Aluminum/Cadmium with Olive Drab Chromate</p> <p>ZN = Aluminum/Zinc-Nickel with Olive Drab Chromate</p> <p>ZNU = Aluminum/Zinc-Nickel with Black Chromate</p> <p>Z1 = Stainless Steel/Passivated</p>
Protective Cover	<p>P = Metal Protective Covers Included</p> <p>N = No Covers Supplied</p>
Shell Pol. Pos.	<p>Polarizing position depends on the connector series</p> <p>For Series 800 and 803: N = Normal X, Y, Z</p> <p>For Series 801 and 805: A = Normal B, C, D</p> <p>For Series 804: Omit for Single Master Key A = Normal B, C, D</p>
Overall Length	Overall Length In Inches 12 Inch Min.



Series 80 Mighty Mouse

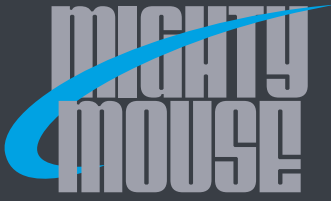
Mighty Mouse-to-Mighty Mouse Connector Cordsets and Single-Ended Pigtails

Table 2: Cable Specifications							
Cable Code	A	B	C	D	E	F	G
Cable Type	100BASE-T	100BASE-T	1000BASE-T	IEEE 1394	USB 2.0	100 Ω STP	100 Ω STP
Construction	UTP	Quad	UTP	Quad	STP	STP	STP
Number of Pairs	2	-	4	-	1	2	4
Number of Conductors	4	4	8	4	4	4	8
Conductor AWG	24	24	24	24	26 & 22	26	26
Conductor Material	SCCA	SCCA	SCCA	SCCA	SCCA	SCCA	SCCA
Conductor Insulation	FEP	FEP	FEP	FEP	FEP	FEP	FEP
Inner Shield	AM	AM	AM	AM	SCCB	AM	AM
Outer Shield	SCCB	SCCB	SCCB	SCCB	SCCB	SCCB	SCCB
Shield Coverage	95% Min.	95% Min.	95% Min.	95%	95%	95%	95%
Impedance	100 ± 10 Ω	100 ± 10 Ω	100 ± 10 Ω	110 ± 7 Ω	90 ± 13 Ω	100 ± 10 Ω	100 ± 10 Ω
Capacitance (pF/ft.)	13.0	13.0	14.5	12.5	13.0	13.0	13.0
Propagation Velocity	80%	80%	70%	80%	70%	80%	80%
Attenuation (dB/100 ft.) 10MHz	3.1	3.1	3.1	2.9			
Attenuation dB/100 ft. 100 MHz	8.0	8.0	8.0	7.5			
Attenuation (dB/100 ft.) 500 MHz	-	-	-	15.5			
Attenuation (dB/100 ft.) 1GHz	-	-	-	22.5			
Near-End Crosstalk dB @10MHz	47	47	47.0	47.0			
Near-End Crosstalk dB @100MHz	32	32	32.0	32.0			
Dielectric Withstanding Voltage	1500 VAC	1500 VAC	1500 VAC	1500 VAC	1500 VAC	1500 VAC	1500 VAC

AM – Aluminum Mylar SCCA – Silver-Coated Copper Alloy SCCB – Silver-Coated Copper Braid.
Attenuation values are nominal. Crosstalk values are minimum.

Table 3: Cable Jacket Performance Characteristics				
Jacket Code	F		P	
Jacket Material	Extruded FEP		Low Smoke/ Zero Halogen Polyurethane	
Typical Use	Airframe, Avionics, Missile		Dismounted Soldier, Shipboard, Armored Vehicle, Railcar	
UL Rating	94 V-0		94 V-0	
FAA Flammability	FAR 25.853(a) FAR 25.869(a)(4)		FAR 25.853(a)	
Temperature Range	-65° to +200° C.		-30 to +105° C.	
Resistance to Solvents	Excellent		Excellent	
Flexibility	Good		Excellent	
Abrasion Resistance	Excellent		Excellent	
Color	Translucent Blue		Black	
Smoke Index NES 711			24	
Toxicity Index NES 713			3.9	
Oxygen Index ASTM D-2863	95%		28%	
Overall Cable Diameter	Cable Code	Diameter	Cable Code	Diameter
	A	.210 (5.33)	A	.238 (6.05)
	B	.175 (4.45)	B	.218 (5.54)
	C	.265 (6.73)	C	.311 (7.90)
	D	.190 (4.83)	D	.236 (5.99)
	E	.200 (5.08)	E	.250 (6.35)
	F	.250 (6.35)	F	.300 (7.62)
G	.298 (7.57)	G	.344 (2.18)	


SERIES 80 MIGHTY MOUSE CORDSETS



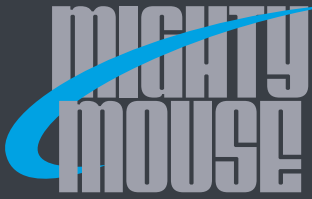
Series 80 Mighty Mouse

Mighty Mouse-to-Mighty Mouse Connector Cordsets and Single-Ended Pigtails

Table 4: Cable-To-Connector Interface (Strain Relief)

Strain Relief Code	P	B	H
			
	Polyamide Overmold	Aluminum Backshell	Heat-Shrink Boot
Material	Polyamide	6061-T6 Aluminum	Polyolefin
Max. Operating Temperature	105° C.	150° C.	105° C.
Hardness	75 Shore A	N/A	
Low temperature Brittle Point	< -45° C.	N/A	< -65° C.
Volume Resistivity	>10 ¹² Ohms cm	N/A	
Dielectric Strength	>12 kV/mm	N/A	>12 kV/mm
Flammability (UL 94)	V0 Vertical Burn	N/A	V0 Vertical Burn
Smoke Index (NES 711)	<10	N/A	9.0
Toxicity Index (NES 713)	<7	N/A	1.9
Resistance to Ozone	Excellent	N/A	Excellent
Oil Resistance	Good	N/A	Good
Polar Solvents (alcohol)	Poor	N/A	Good
Non-polar Solvents	Good	N/A	Good
Fuel Resistance	Good	N/A	Fair
Immersion	1 meter MIL-STD-810 Method 512	IP67	1 meter MIL-STD-810 Method 512
Part Number	(Not Sold Separately)	390MS076	770-003

SERIES 80 MIGHTY MOUSE CORDSETS



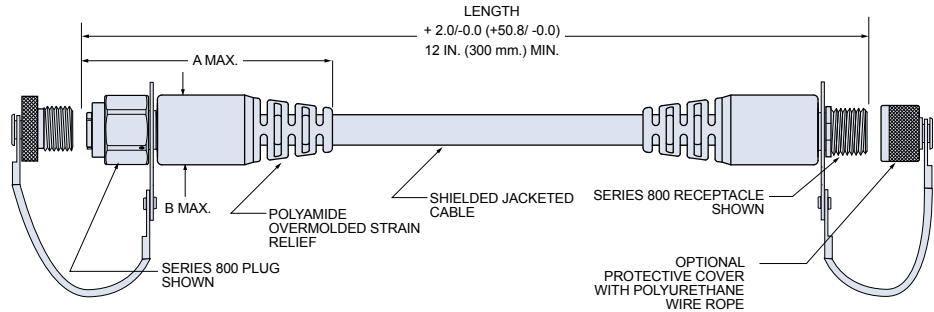
Series 80 Mighty Mouse

Mighty Mouse-to-Mighty Mouse Connector Cordsets and Single-Ended Pigtails

Cordset Dimensions

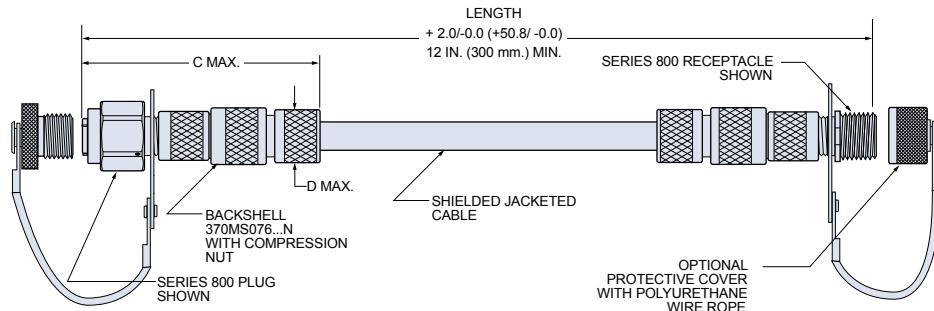
**Strain relief
Code P**

**Polyamide
Overmold**



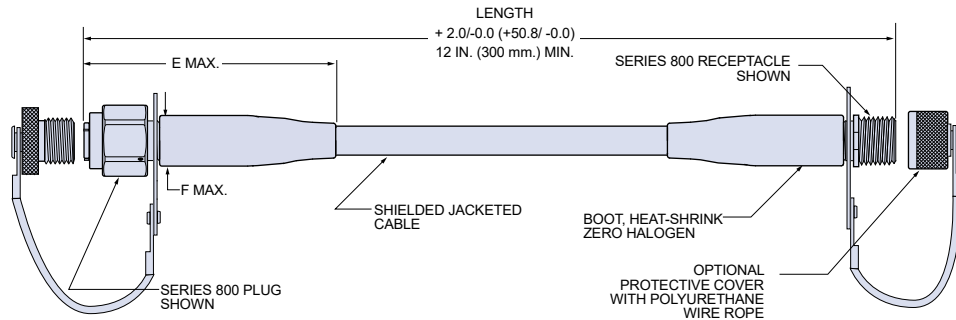
**Strain relief
Code B**

**Metal
Backshell**



**Strain relief
Code H**

**Heatshrink
Boot**



Dimensions

Cable Code	Type	Number of Connector Pins	A Max.	B Max.	C Max.	D Max.	E Max.	F Max.
A	2 Pair UTP 100 Ω	4	2.500 (0.10)	.560 (0.02)	2.100 (0.08)	.530 (0.02)	1.600 (0.06)	.470 (0.02)
B	Quad 100 Ω	4	2.500 (0.10)	.560 (0.02)	2.100 (0.08)	.530 (0.02)	1.600 (0.06)	.470 (0.02)
C	4 Pair UTP 100 Ω	10	2.500 (0.10)	.680 (0.03)	2.100 (0.08)	.600 (0.02)	1.600 (0.06)	.580 (0.02)
D	Quad 110 Ω	4	2.500 (0.10)	.560 (0.02)	2.100 (0.08)	.530 (0.02)	1.600 (0.06)	.470 (0.02)
E	USB 90 Ω	4	2.500 (0.10)	.560 (0.02)	2.100 (0.08)	.600 (0.02)	1.600 (0.06)	.470 (0.02)
F	2 Pair STP 100 Ω	4	2.500 (0.10)	.560 (0.02)	2.100 (0.08)	.600 (0.02)	1.600 (0.06)	.470 (0.02)
G	4 Pair STP 100 Ω	10	2.500 (0.10)	.680 (0.03)	2.100 (0.08)	.600 (0.02)	1.600 (0.06)	.580 (0.02)

SERIES 80 MIGHTY MOUSE CORDSETS



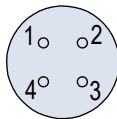
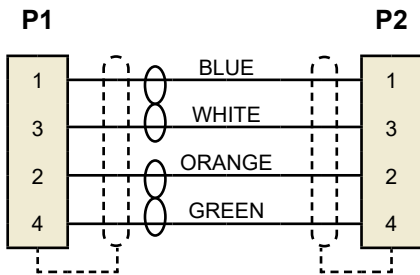
Series 80 Mighty Mouse

Mighty Mouse-to-Mighty Mouse Connector Cordsets and Single-Ended Pigtails

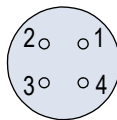
Wiring Schematics For Type A and Type B Cable



**WIRING DIAGRAM
CABLE TYPE A
100BASE-T UTP**

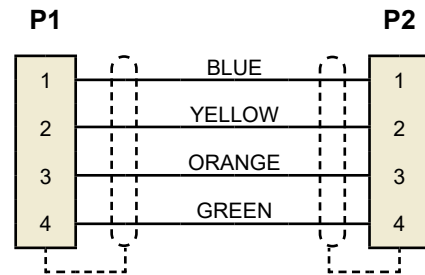


Pin Connector Mating Face



Socket Connector Mating Face

**WIRING DIAGRAM
CABLE TYPE B
100BASE-T QUAD**

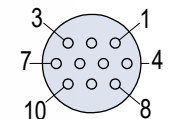


Wiring Schematic for Type C Cable for Gigabit Ethernet Applications

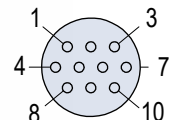
SERIES 80 MIGHTY MOUSE CORDSETS



10 Pin Connector for Gigabit Ethernet



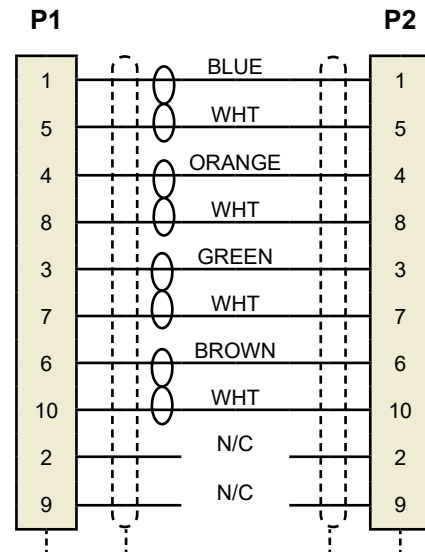
Pin Connector Mating Face

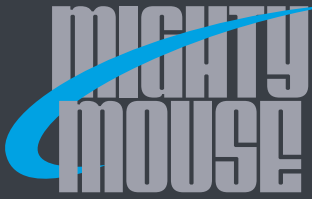


Socket Connector Mating Face

8-13 or 10-13

**WIRING DIAGRAM
CABLE TYPE C
1000BASE-T UTP**





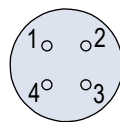
Series 80 Mighty Mouse

Mighty Mouse-to-Mighty Mouse Connector Cordsets and Single-Ended Pigtails

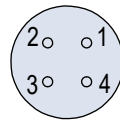
Wiring Schematic for Type D Quad Cable For IEEE 1394 Applications



4 Pin Connector for IEEE 1394

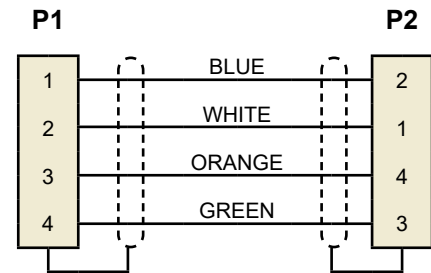


Pin Connector Mating Face

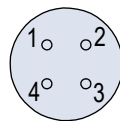


Socket Connector Mating Face

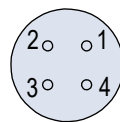
WIRING DIAGRAM CABLE TYPE D 1394 QUAD



Wiring Schematic for Type E Cable For USB 2.0 Applications

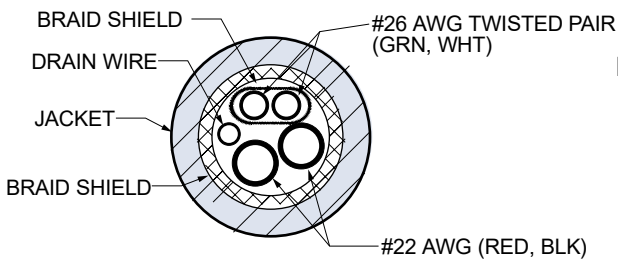
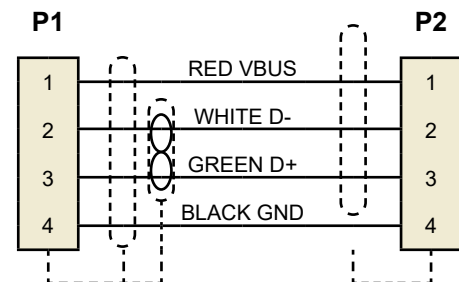


Pin Connector Mating Face



Socket Connector Mating Face

WIRING DIAGRAM CABLE TYPE E USB 2.0



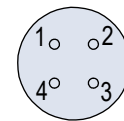
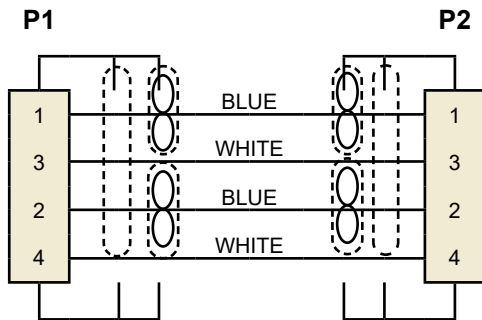


Series 80 Mighty Mouse

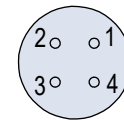
Mighty Mouse-to-Mighty Mouse Connector Cordsets and Single-Ended Pigtails

Wiring Schematic for Type F Cable for 100 Ohm STP Applications

**WIRING DIAGRAM
CABLE TYPE F
TWO 100 OHM SHIELDED TWISTED
PAIRS WITH OVERALL SHIELD**



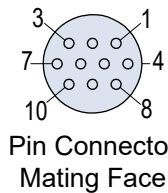
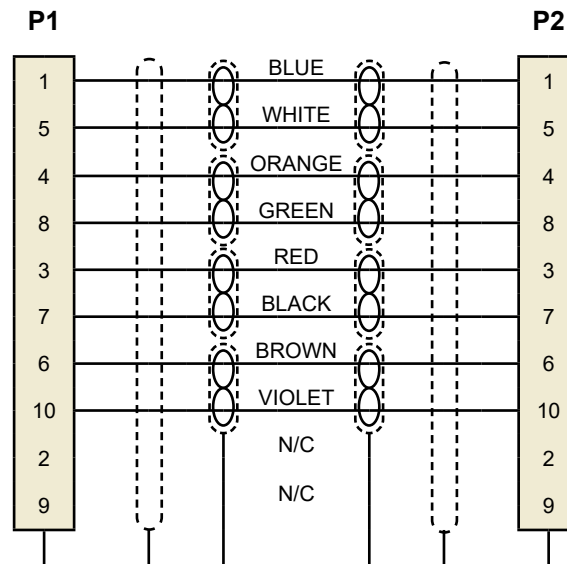
Pin Connector Mating Face



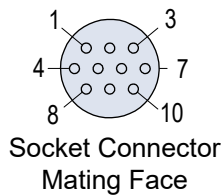
Socket Connector Mating Face

Wiring Schematic For Type G Cable For 100 Ohm STP Applications

**WIRING DIAGRAM
CABLE TYPE G
FOUR STP**

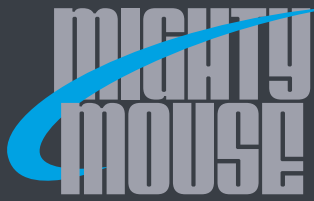


Pin Connector Mating Face



Socket Connector Mating Face

SERIES 80 MIGHTY MOUSE CORDSETS



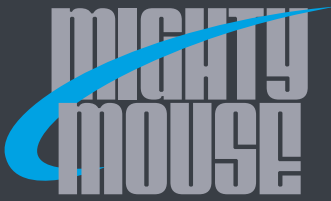
Series 80 Mighty Mouse

Mighty Mouse-to-USB 2.0 Type A Connector Cordsets

How To Order						
Sample Part Number	801-028	A	ZNU	N	A	-72
Series (See Table I)	<p>800-036 = Series 800 Cordset, UNF Threaded Coupling, Hex Nut 801-028 = Series 801 Cordset, Double-Start Threaded Coupling 803-011 = Series 803 Cordset, Push-Pull With Bayonet Lock Coupling 804-016 = Series 804 Cordset, Quick-Disconnect Push-Pull 805-012 = Series 805 Cordset, Tri-Start Threaded Coupling with Ratchet and Ground Spring</p>					
Shell Style	<p>A = Plug, with Male Pin Contacts B = Plug, with Female Socket Contacts C = Receptacle, with Male Pin Contacts D = Receptacle, with Female Socket Contacts</p>					
Shell Material and Finish	<p>M = Aluminum / Electroless Nickel NF = Aluminum / Cadmium with Olive Drab ZNU = Aluminum / Zinc-Nickel with Black Chromate MT = Aluminum / Nickel-PTFE Z1 = Stainless Steel / Passivated</p>					
Protective Cover	<p>P = Metal Protective Cover, with Lanyard (for Mighty Mouse Connector) N = No Covers Supplied</p>					
Shell Polarizing Position	<p>Polarizing position depends on the connector series. For Series 800 and 803: N (Normal), X, Y or Z For Series 801 and 805: A (Normal), B, C, D For Series 804: Omit (Leave Blank) for Single Master Key A (Normal), B, C, D</p>					
Overall Length	<p>Overall Length In Inches 18, 36, 72, 120</p>					

Table I: Series				
<p>800-036 Series 800 Cordset, UNF Threaded Coupling, Hex Nut</p>	<p>801-028 Series 801 Cordset, Double- Start Threaded Coupling</p>	<p>803-011 Series 803 Cordset, Push-Pull With Bayonet Lock Coupling</p>	<p>804-016 Series 804 Cordset, Quick- Disconnect Push-Pull</p>	<p>805-012 Series 805 Cordset, Tri-Start Threaded Coupling with Ratchet and Ground Spring</p>

SERIES 80 MIGHTY MOUSE CORDSETS

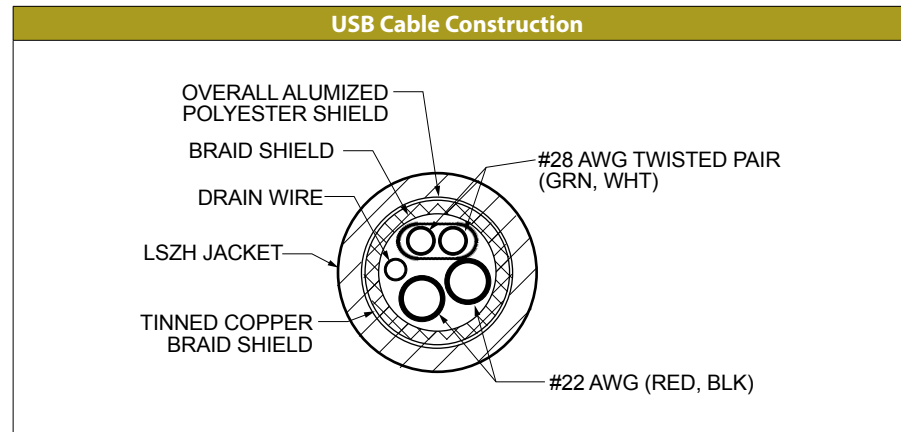
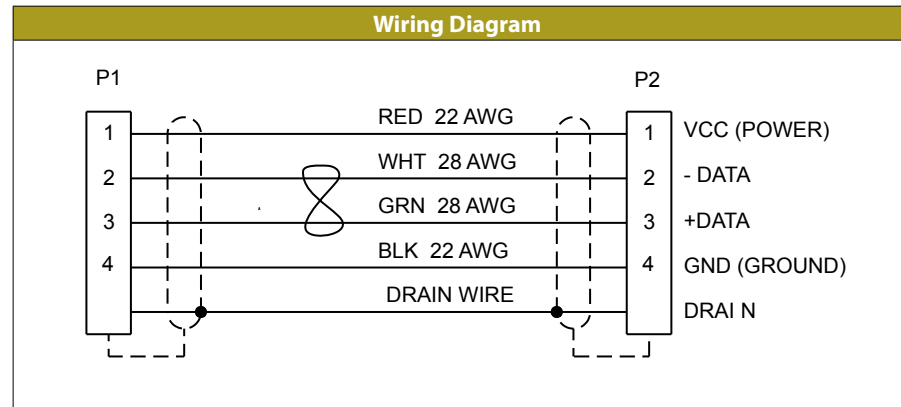
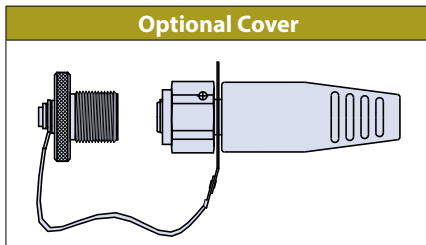
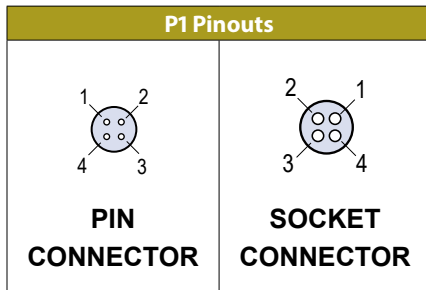
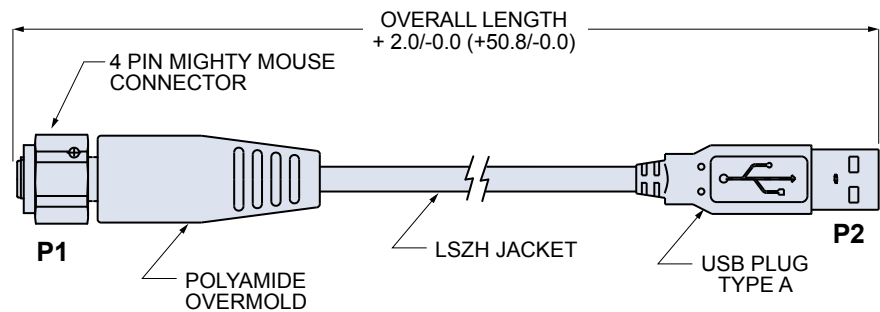


Series 80 Mighty Mouse

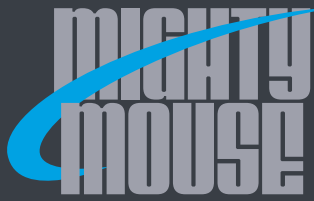
Mighty Mouse-to-USB 2.0 Type A Connector Cordsets

CORDSET, USB TYPE A PLUG TO MIGHTY MOUSE CONNECTOR

These USB 2.0 cordsets have a standard USB type A plug on one end and a ruggedized Mighty Mouse plug on the other end. Low smoke zero halogen cable is UL VW-1 rated. #22 AWG power leads provide maximum current and low resistance. #28 AWG twisted pair data leads help reduce crosstalk. Rugged flexible molded cable ends provide strain relief and water ingress protection. 100% tested for continuity and insulation resistance.



SERIES 80 MIGHTY MOUSE CORDSETS



Series 80 Mighty Mouse

Mighty Mouse-to-RJ45 Cat 5e Connector Cordsets

How To Order						
Sample Part Number	801-029	B	MT	N	A	-36
Series (See Table I)	<p>800-037 = Series 800 Cordset, UNF Threaded Coupling, Hex Nut 801-029 = Series 801 Cordset, Double-Start Threaded Coupling 803-012 = Series 803 Cordset, Push-Pull With Bayonet Lock Coupling 804-017 = Series 804 Cordset, Quick-Disconnect Push-Pull 805-013 = Series 805 Cordset, Tri-Start Threaded Coupling with Ratchet and Ground Spring</p>					
Shell Style	<p>A = Plug, with Male Pin Contacts B = Plug, with Female Socket Contacts C = Receptacle, with Male Pin Contacts D = Receptacle, with Female Socket Contacts</p>					
Shell Material and Finish	<p>M = Aluminum / Electroless Nickel NF = Aluminum / Cadmium with Olive Drab ZNU = Aluminum / Zinc-Nickel with Black Chromate MT = Aluminum / Nickel-PTFE Z1 = Stainless Steel / Passivated</p>					
Protective Cover	<p>P = Metal Protective Cover, with Lanyard (for Mighty Mouse Connector) N = No Covers Supplied</p>					
Shell Polarizing Position	<p>Polarizing position depends on the connector series. For Series 800 and 803: N (Normal), X, Y or Z For Series 801 and 805: A (Normal), B, C, D For Series 804: Omit (Leave Blank) for Single Master Key A (Normal), B, C, D</p>					
Overall Length	<p>Overall Length In Inches 18, 36, 72, 120</p>					

Table I: Series				
				
800-037 Series 801 Cordset, UNF Threaded Coupling, Hex Nut	801-029 Series 801 Cordset, Double-Start Threaded Coupling	803-012 Series 803 Cordset, Push-Pull With Bayonet Lock Coupling	804-017 Series 804 Cordset, Quick-Disconnect Push-Pull	805-013 Series 805 Cordset, Tri-Start Threaded Coupling with Ratchet and Ground Spring

SERIES 80 MIGHTY MOUSE CORDSETS

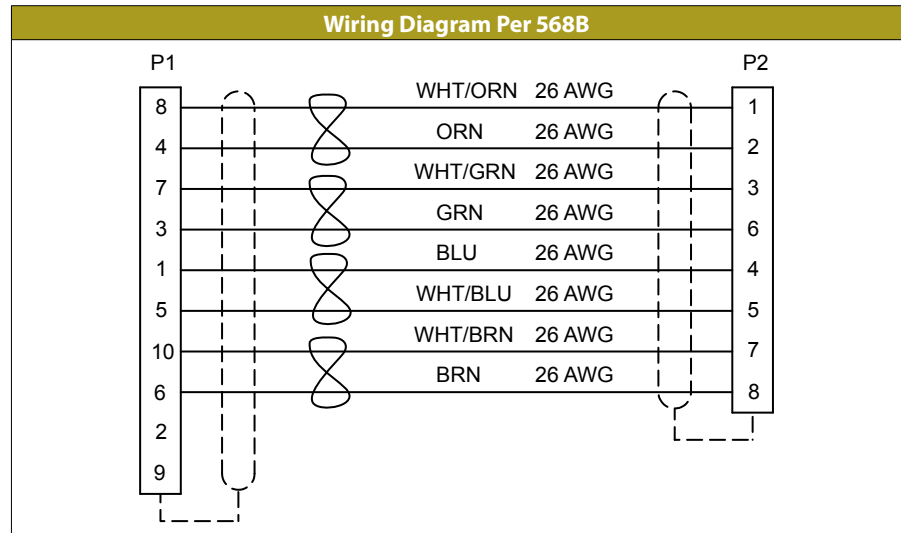
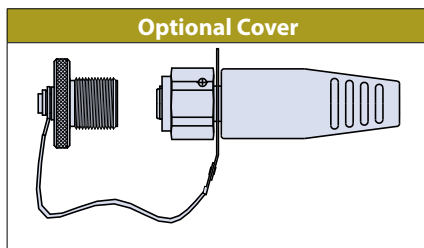
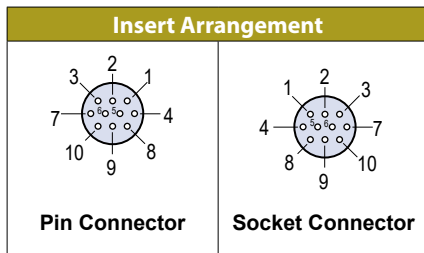
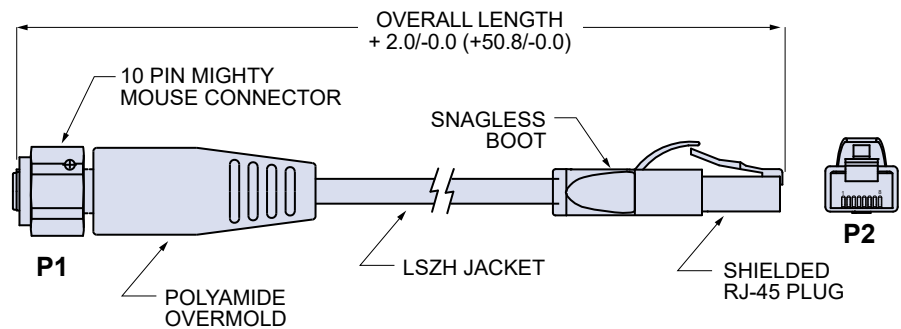


Series 80 Mighty Mouse

Mighty Mouse-to-RJ45 Cat 5e Connector Cordsets

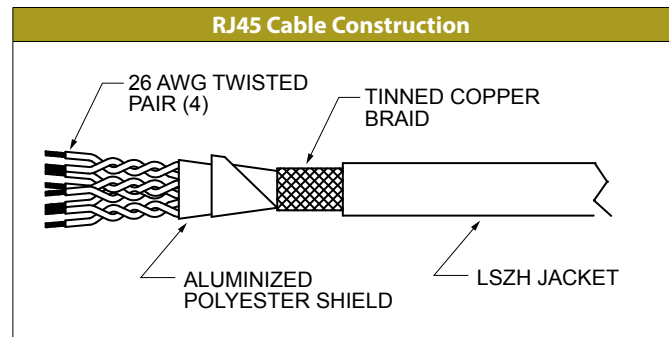
CORDSET, CAT 5E RJ45 TO MIGHTY MOUSE CONNECTOR

Glenair Cat 5e cordsets have a standard shielded RJ45 modular plug on one end and a ruggedized Mighty Mouse 10 pin plug on the other end. Low smoke zero halogen cable is UL VW-1 rated and RoHS compliant. Certified to TAI/EIA-568-B.2. Cable has four #26 twisted pairs plus tinned copper braid shield. Mighty Mouse connector is overmolded with polyamide for strain relief and protection. RJ45 plug has molded snagless boot and 50 microinches gold plating on contacts. 100% tested for continuity and insulation resistance. Operating temperature -20°C to +60°C.

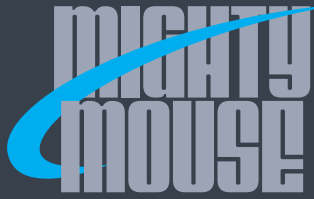


RJ45 Materials and Finishes

RJ45 Housing	Polycarbonate, clear, UL94V-0
RJ45 Contacts	Phosphor bronze, 50 μinches gold over 100 μinches Ni plating
Cable Jacket	LSZH, black
RJ45 Shield	Brass, nickel plated
RJ45 Boot	LSZH thermoplastic



SERIES 80 MIGHTY MOUSE CORDSETS



SERIES 80 MIGHTY MOUSE COMPATIBLE

High-Speed Bulk Cable

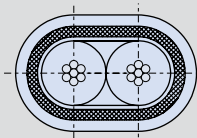
Product Selection Guide



Series 80 High-Speed Bulk Cable

Cable features and benefits

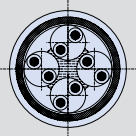
Page M-2



100 Ohm Differential Parallel Pair Data Cable

963-001

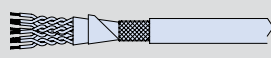
Page M -3



Tactical Cat 5e Ethernet Cable with Polyurethane Jacket

963-002

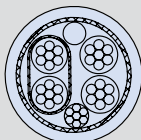
Page M-4



Avionic Cat 6A Ethernet Cable with FEP Jacket

963-003

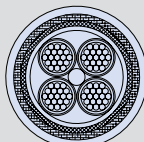
Page M-5



USB 2.0 Cable with FEP, Polyurethane or No Jacket

963-005

Page M-6

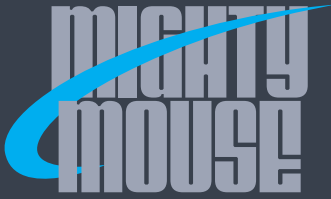


IEEE 1394 110 Ohm Quad Cable with FEP, Polyurethane or No Jacket

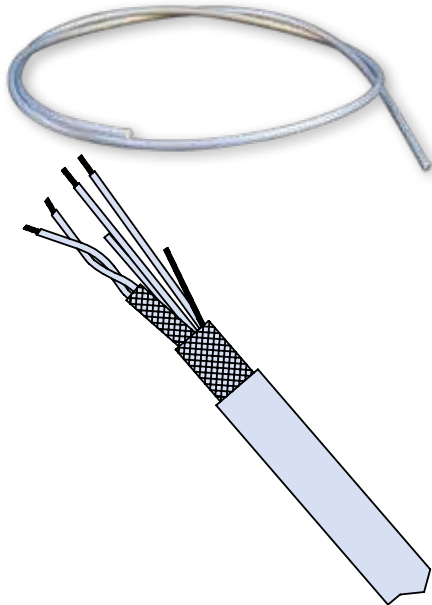
963-006

Page M-7

SERIES 80 HIGH-SPEED BULK CABLE



General Information



High Performance, Protocol-Compliant Cable for Series 80 Mighty Mouse High-Speed Applications

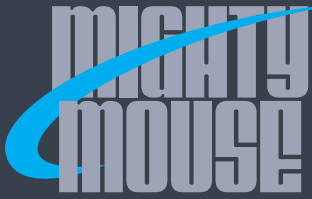
In addition to the turnkey cordsets offered in this catalog, Glenair is pleased to offer our *High-Speed* Mighty Mouse customers discrete bulk cable for on-site termination. All of the cables in this section have been selected for protocol compliance IAW industry-standard Ethernet, USB, and SATA/eSATA specifications and the harsh mission-critical application environments where the Series 80 Mighty Mouse excels. Without exception, cables have been designed and fabricated to optimize flexibility, weight reduction, ruggedness, and insulator quality. Each cable is offered with specific guidance as to shielding properties, impedance performance, attenuation, temperature rating, bend radius, weight, and maximum practical distance. All of the cable part numbers detailed here are in stock and ready for immediate, same-day shipment with no length or dollar minimums.

963-001	100 Ohm Differential Parallel Pair Data Cable
963-002	Tactical Cat 5e Ethernet Cable with Polyurethane Jacket
963-003	Avionic Cat 6A Ethernet Cable with FEP Jacket
963-005	USB 2.0 Cable with FEP or Polyurethane Jacket
963-006	IEEE 1394 110 Ohm Quad Cable with FEP or Polyurethane Jacket

Glenair's vertically integrated connector, hardware, and cable facilities are perfectly positioned to supply catalog and custom short cable runs for the broad range of high-speed interconnect applications.



SERIES 80 HIGH-SPEED BULK CABLE



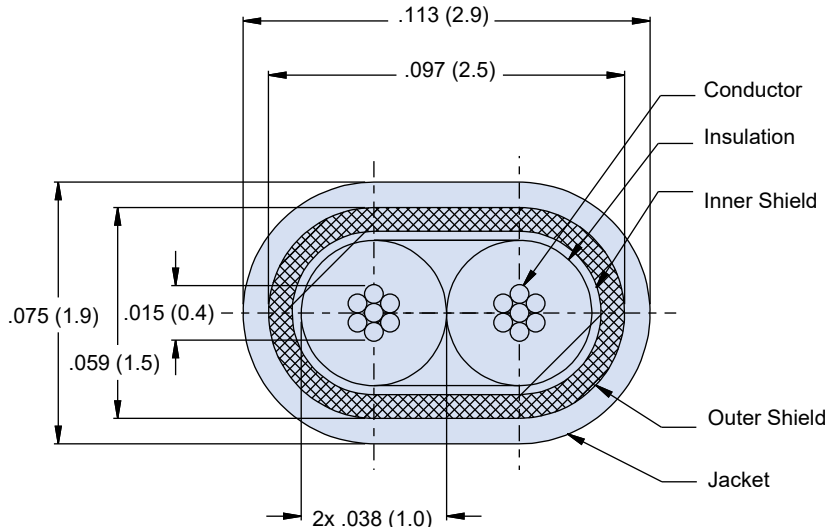
SERIES 80 MIGHTY MOUSE COMPATIBLE

High-Speed Bulk Cable



100 Ohm Differential Parallel Pair Data Cable

963-001: 100 OHM DIFFERENTIAL PARALLEL PAIR DATA CABLE



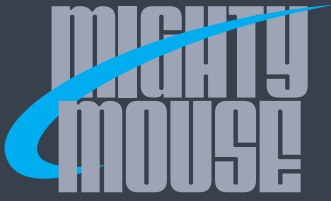
Properties	
Impedance	100 Ohms ± 10
Attenuation	0.25 dB/m @ 100 MHz .075 dB/m @ 500 MHz 1.25 dB/m @ 1000 MHz
Impedance	100 ± 10 Ohms
Capacitance	12.0 pF/ft (nom)
Velocity of Propagation	80%
Temperature Rating	150°C

Construction Details		
Data Pair	Conductor	2x 28 AWG (7/36) silver plated high strength copper alloy (.015" OD)
	Insulation	Extruded Foamed Fluoropolymer (.038")
	Colors	Blue and white
	Shield Coverage	Silver plated copper, 38 AWG, 95% minimum
Inner Shield		Aluminum/ Polyester tape, 100% coverage
Outer Shield		Round silver plated copper braid, 90% coverage
Jacket		Extruded FEP
Color		Transparent blue

NOTES

- Cable identified with manufacturer's name and part number.
- Cable is sold in 1 foot increments. Specify desired length on purchase order.

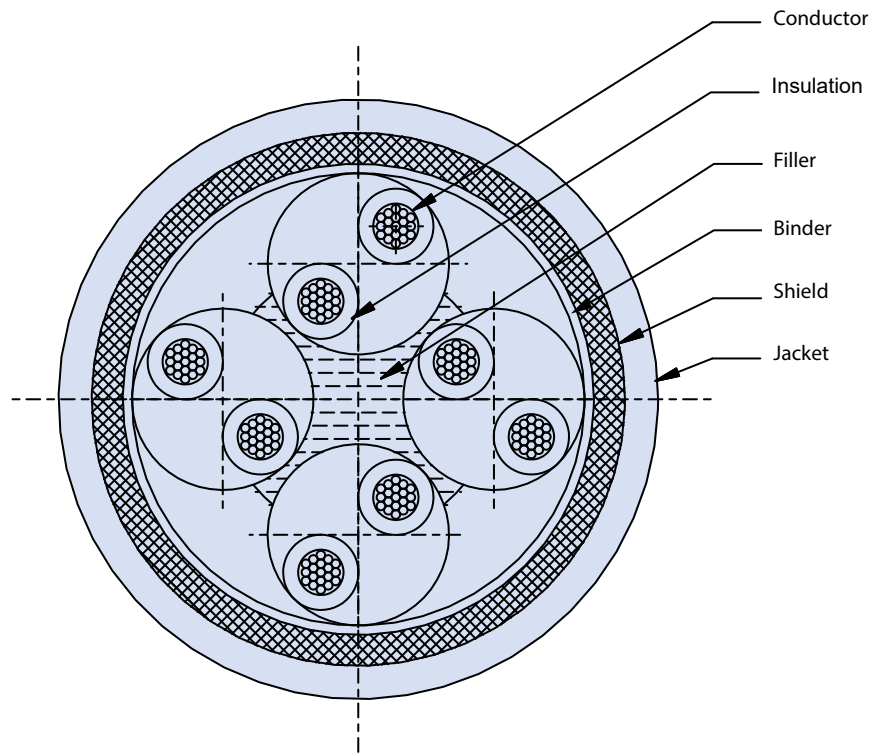
SERIES 80 HIGH-SPEED BULK CABLE



SERIES 80 MIGHTY MOUSE COMPATIBLE
High-Speed Bulk Cable
 Tactical Cat 5e Ethernet Cable



963-002: 1000 BASE-T ETHERNET CABLE WITH POLYURETHANE JACKET



SERIES 80 HIGH-SPEED BULK CABLE

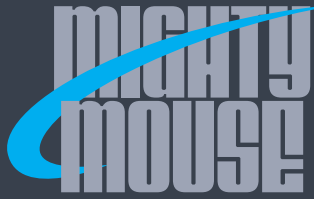
Construction Details		
	Details	Diameter (Inches)
Conductor	24 AWG 19x36 silver plated copper alloy	.0235
Insulation	Fluoropolymer	.045
Colors	Pair #1 white/blue and blue	.235 .300
	Pair #2 white/orange and orange	
	Pair #3 white/green and green	
	Pair #4 white/brown and brown	
Two insulated conductors twisted together (varied lays)		

Properties	
Impedance	100 Ohms ± 15% (1 to 100 MHz)
Attenuation	8.0 dB/100 ft @ 100 MHz
NEXT	35.3 dB @ 100MHz
PSNEXT	32.3 dB @ 100 MHz
ELFEXT	23.8 dB @ 100 MHz
PSELFEXT	20.8 dB @ 100 MHz
Temperature Rating	200° C
Minimum Bend Radius	1.25" (dynamic) 1.00" (static)
Weight	4.8 lbs/100 ft
Max Cabling Distance	80 meters (100BASE-T)

Final Assembly	
Cable	Four twisted pairs cabled around a center filler
Binder	Skive PTFE tape
Shield 1	Aluminum polyester
Shield 2	38 AWG silver plated copper braid 80% coverage
Jacket	Polyurethane (Estane 58244) Color: Black .030" minimum jacket wall

NOTES

- Cable identified with manufacturer's name and part number.
- Cable is sold in 1 foot increments. Specify desired length on purchase order.

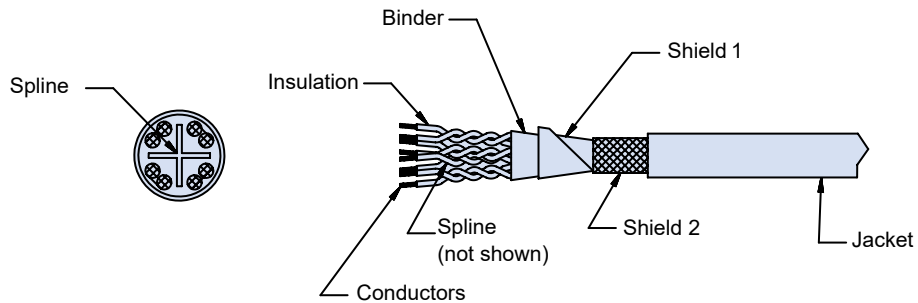


SERIES 80 MIGHTY MOUSE COMPATIBLE
High-Speed Bulk Cable
 Avionic Cat 6A Ethernet Cable



963-003: 10G BASE-T ETHERNET CABLE WITH FEP JACKET

How to Order	
963-003-24	24 AWG
963-003-26	26 AWG



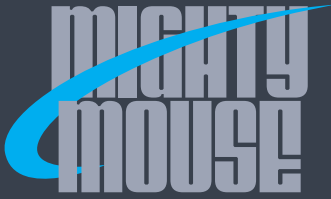
Construction Details		
	963-003-24	963-003-26
Conductor	24 AWG silver plated copper	26 AWG stranded silver plated copper
Insulation	FEP	PFA
Colors	Pair #1 white/blue and blue stripe Pair #2 white/orange and orange stripe Pair #3 white/green and green stripe Pair #4 white/brown and brown stripe	Pair #1 white/blue and blue stripe Pair #2 white/orange and orange stripe Pair #3 white/green and green stripe Pair #4 white/brown and brown stripe

Final Assembly		
	963-003-24	963-003-26
Conductors	Silver plated copper	Silver plated copper
Insulation	FEP	PFA
Cable	Four twisted pairs cabled around a center filler	Four twisted pairs cabled around a center filler
Spline	FEP	Fluoropolymer
Binder	Skive PTFE tape	Fluoropolymer tape
Shield 1	Aluminum mylar	n/a
Shield 2	38 AWG silver plated copper braid 90% coverage	silver plated copper braid 80% coverage
Jacket	FEP Color: Translucent blue .275" Nominal OD	PTFE laser printable jacket Color: White .220" nominal OD

Properties		
	963-003-24	963-003-26
Impedance	100 Ohms ± 10%	100 Ohms ± 10%
Attenuation (dB/100 Ft)	10 MHz - 2.4 100 MHz - 7.5 500 MHz - 17.7	10 MHz - 3.7 100 MHz - 11.2 500 MHz - 24.0
NEXT	10 MHz - 59.3 100 MHz - 44.3 250 MHz - 38.3 500 MHz - 33.8	10 MHz - 59.3 100 MHz - 44.3 250 MHz - 38.3 500 MHz - 33.8
SRL	10 MHz - 25.0 100 MHz - 20.1 250/500 MHz - 15.2	10 MHz - 25.0 100 MHz - 20.1 250/500 MHz - 15.2
Capacitance (pF/ft)	14.5 (nominal)	14.5 (nominal)
Velocity of Propagation	70% (nominal)	70% (nominal)
DWV	1.5 KV RMS	1.5 KV RMS
Temperature Rating	-55° to +200° C	-55° to +200° C
Minimum Bend Radius	1.40 Inches	.660 Inches
Weight	5.5 lbs/100 ft	3.05 lbs/100 ft
Max Cabling Distance	240 Feet (10GBASE-T)	188 Feet

NOTES

- Cable identified with manufacturer's name and part number.
- Cable is sold in 1 foot increments. Specify desired length on purchase order.
- Meets TIA-568B CAT-6A requirements when terminated to appropriate high speed connectors.
- Skydrol resistant, RoHS compliant, and passes flamability requirements of FAR part 23 and 25, appendix F.

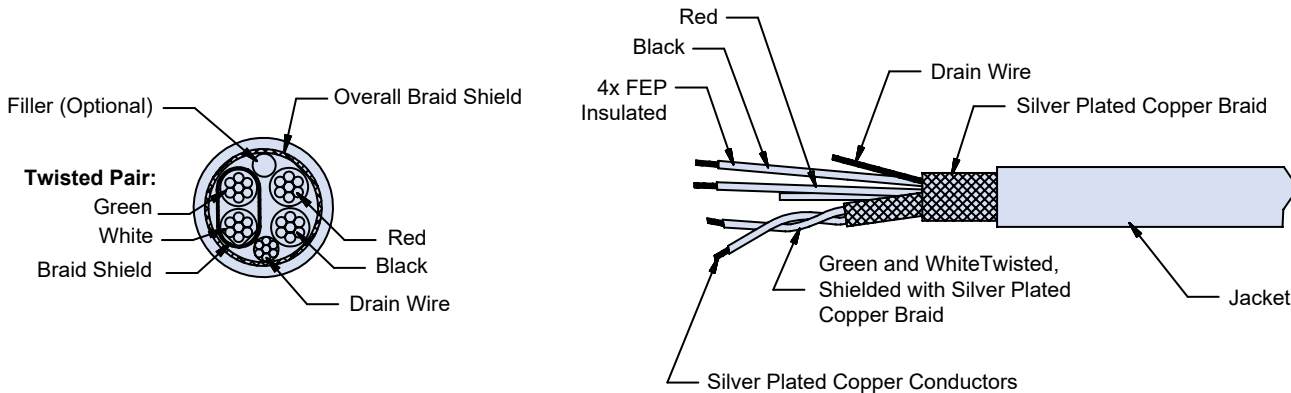


SERIES 80 MIGHTY MOUSE COMPATIBLE
High-Speed Bulk Cable
 USB 2.0 Cable



963-005: USB 2.0 CABLE WITH FEP, POLYURETHANE OR NO JACKET

How To Order		
Sample Part Number	963-005	-2
Series	963-005 = USB 2.0 cable with FEP, polyurethane or no jacket	
Cable Jacket Material	1 - Less Jacket 2 - FEP (translucent blue) 3 - Polyurethane, zero halogen, Estane 58244 TPU or equivalent (black)	



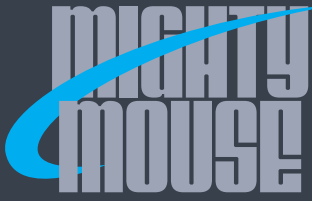
SERIES 80 HIGH-SPEED BULK CABLE

Properties	
Impedance	90 Ohms ± 10
Attenuation (dB/100 ft)	1 MHz - 1.2
	4 MHz - 2.4
	8 MHz - 3.5
	12 MHz - 4.1
	24 MHz - 5.8
	48 MHz - 8.2
	96 MHz - 11.6
	200 MHz - 19.5
400 MHz - 35.0	
Skew	100 ps max / 16.4 feet (5 meters)
Velocity of Propagation	70% (nominal)
DWV	1000V RMS
Temperature Rating	FEP: -65° to +200° C
	Polyurethane: -30° to +105° C
Weight	2.9 lbs/100 ft

Construction Details		
Data Pair	Conductor	2x 26 AWG (19/38) silver plated copper alloy (.019" OD)
	Insulation	FEP (.035")
	Colors	Green and white
	Shield Coverage	Silver plated copper, 38 AWG, 95% minimum
Power Pair	Conductor	2x 22 AWG (19/34) silver plated copper alloy (.030" OD)
	Insulation	FEP (.050")
	Colors	Red and black
Drain Wire	Conductor	26 AWG (19/38) silver plated copper alloy (.019" OD)
Filler		PTFE rod, optional
Overall Shield Coverage		Silver plated copper, 38 AWG, 95% minimum (.176" nominal OD)
Jacket Diameter		.200" nominal

NOTES

- Cable identified with manufacturer's name and part number.
- Cable is sold in 1 foot increments. Specify desired length on purchase order.



SERIES 80 MIGHTY MOUSE COMPATIBLE
High-Speed Bulk Cable
 IEEE 1394 (Firewire)

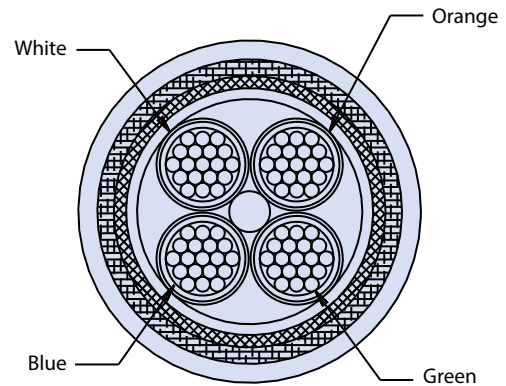


963-006: 110 OHM QUAD CABLE WITH FEP, POLYURETHANE OR NO JACKET

How To Order		
Sample Part Number	963-006	-2
Series	963-006 = USB 2.0 cable with FEP, polyurethane or no jacket	
Cable Jacket Material	1 - Less Jacket 2 - FEP (translucent blue) 3 - Polyurethane, zero halogen, Estane 58244 TPU or equivalent (black)	

Construction Details	
Conductors	24 AWG (19/36) silver plated copper alloy (.0235" OD)
Insulation	Foam FEP, .054" OD
Filler	FEP .022" nominal OD
Overall Binder	PTFE tape wrap
Overall Shield #1	40 AWG silver plated copper braid
Overall Shield #2	38 AWG silver plated copper braid
Jacket Diameter	.190" nominal, .200" max

Properties	
Impedance	110 Ohms ± 6 (measured differentially)
Attenuation (dB/100 ft)	10 MHz - 2.9
	100 MHz - 7.5
	500 MHz - 15.0
	1 GHz - 22.5
Skew	2.0 PS/ft typical, 3.5 PS/ft Max (within pair)
Velocity of Propagation	80% (nominal)
Capacitance	12.5 PF/ft nominal (between pairs, ground floating)
DWV	1500V RMS conductor/conductor
	1000V RMS conductor/shield
Temperature Rating	FEP: -65° to +200° C
	Polyurethane: -30° to +105° C
Weight	3.5 lbs/100 ft



NOTES

- Cable identified with manufacturer's name and part number.
- Cable is sold in 1 foot increments. Specify desired length on purchase order.

SERIES 80 HIGH-SPEED BULK CABLE



SERIES 80 MIGHTY MOUSE

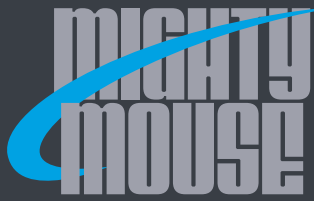
Backshells and Accessories

Glenair shrink boots, backshell adapters, tools, and accessories for Series 80 Mighty Mouse applications



Glenair offers a complete range of environmental, mechanical, and EMC shielding backshells and accessories for use in Mighty Mouse harnesses and cable assemblies.

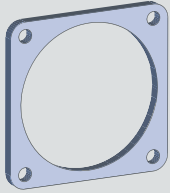




SERIES 80 MIGHTY MOUSE CONNECTORS Accessories, Backshells, and Tools



Product Selection Guide



Flange Gaskets

Die-cut flange gaskets provide panel sealing for flange mount receptacles. Available in fluorosilicone, Viton®, and conductive fluorosilicone.

Page N-2



Heat-Shrink Boots

These boots provide strain relief, environmental protection and fit all Series 80 connectors. Straight, 90°, 45°, Long Tail, and USB versions.

Page N-39



O-rings

Replace lost or damaged O-rings. Available in fluorosilicone, EPDM, and conductive fluorosilicone, these O-rings fit Mighty Mouse jam nut receptacles.

Page N-5



Connector Holding Tools and Band-Master ATS Banding Tool

Connector holding tools for tightening backshells and Band-Master ATS shield termination systems.

Page N-46



Mounting Flange

Replace worn or lost mounting flanges. Offered with standard or metric threads.

Page N-10



Series 800 thru 805 Protective Covers

Thread-on or frictions fit covers provide a watertight seal and prevent damage. Select nylon cord or wire rope lanyards with a range of ring terminal diameters to fit just about any need.

Page N-48



Jam Nuts, Hex Nuts and Spanner Wrench Sockets

Mighty Mouse jam-nut receptacles are supplied with low-profile spanner nuts. Jam-nuts require the use of a spanner wrench socket to be tightened. Optional hex nuts are available with safety wire holes.

Page N-11



Series 800, 801, 804, and 805 Pro-Seal Protective Covers

Lightweight thread-on or pressure-seal covers provide environmental seal and immersion resistance.

Page N-79



Series 800 thru 805 Shorting Caps and Backshells

Backshells feature rotatable or direct coupling saddle clamps to provide strain relief for wire bundles. Upgrade to environmental and EMI protection. Shorting Caps, band and shrink boot adapters also available.

Page N-17



Series 800 Dummy Storage Receptacles

Provide a safe and secure location for cable plugs that are disconnected due to maintenance or repair.

Page N-88

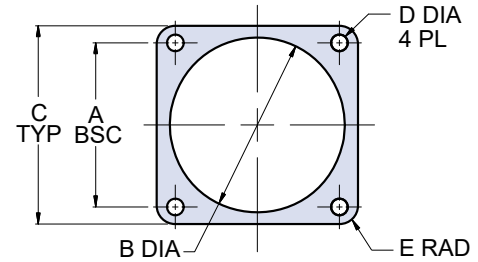
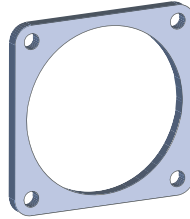


SERIES 80 MIGHTY MOUSE CONNECTORS
Accessories, Backshells, and Tools
Flange Gaskets



FLANGE GASKETS FOR SERIES 800 MIGHTY MOUSE SQUARE FLANGE RECEPTACLES

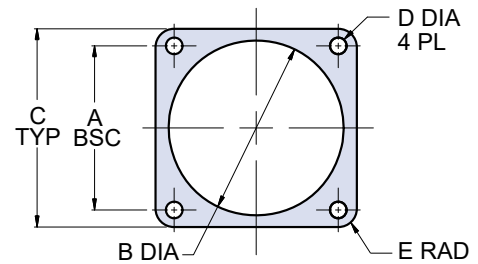
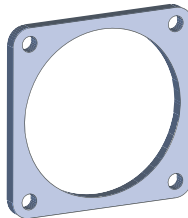
These flange gaskets provide sealing between square flange receptacles and the mounting panel. Choose fluorosilicone, Viton®, or conductive fluorosilicone material (Chomerics 1298 silver-filled). Gaskets are .032" (0.8) thick.



Shell Size	Part Number			Dimensions									
	Fluorosilicone	Viton®	Conductive Fluorosilicone	A Bsc.		B Dia.		C Typ.		D Dia.		E Rad.	
				In.	mm.	In.	mm.	In.	mm.	In.	mm.	In.	mm.
5	809-108F01	809-108V01	809-108X01	.363	9.22	.342	8.69	.527	13.39	.093	2.36	.078	1.98
6	809-108F02	809-108V02	809-108X02	.423	10.74	.405	10.29	.588	14.94	.093	2.36	.078	1.98
7	809-108F03	809-108V03	809-108X03	.483	12.27	.467	11.86	.650	16.51	.125	3.18	.078	1.98
8	809-108F04	809-108V04	809-108X04	.542	13.77	.530	13.46	.709	18.01	.125	3.18	.078	1.98
9	809-108F05	809-108V05	809-108X05	.719	18.26	.593	15.06	.938	23.83	.125	3.18	.105	2.67
10	809-108F06	809-108V06	809-108X06	.719	18.26	.655	16.64	.938	23.83	.125	3.18	.105	2.67
12	809-108F07	809-108V07	809-108X07	.812	20.62	.780	19.81	1.031	26.19	.125	3.18	.105	2.67

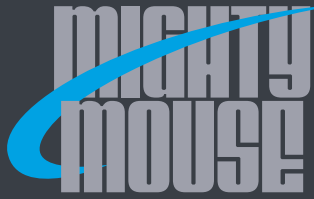
FLANGE GASKETS FOR SERIES 801 MIGHTY MOUSE SQUARE FLANGE RECEPTACLES

These flange gaskets provide sealing between square flange receptacles and the mounting panel. Choose fluorosilicone, Viton®, or conductive fluorosilicone material (Chomerics 1298 silver-filled). Gaskets are .032" (0.8) thick.



Shell Size	Part Number			Dimensions									
	Fluorosilicone	Viton®	Conductive Fluorosilicone	A Bsc.		B Dia.		C Typ.		D Dia.		E Rad.	
				In.	mm.	In.	mm.	In.	mm.	In.	mm.	In.	mm.
5	809-108F11	809-108V11	809-108X11	.363	9.22	.342	8.69	.530	13.46	.093	2.36	.078	1.98
6	809-108F12	809-108V12	809-108X12	.423	10.74	.405	10.29	.590	14.99	.093	2.36	.078	1.98
7	809-108F13	809-108V13	809-108X13	.483	12.27	.467	11.86	.650	16.51	.093	2.36	.078	1.98
8	809-108F14	809-108V14	809-108X14	.545	13.84	.530	13.46	.712	18.08	.093	2.36	.078	1.98
9	809-108F16	809-108V16	809-108X16	.607	15.42	.560	14.22	.850	21.59	.125	3.18	.105	2.67
10	809-108F15	809-108V15	809-108X15	.670	17.02	.655	16.64	.890	22.61	.125	3.18	.105	2.67
11	809-108F45	809-108V45	809-108X45	.715	18.16	.717	18.21	.935	23.75	.125	3.18	.105	2.67
13	809-108F17	809-108V17	809-108X17	.812	20.62	.842	21.39	1.030	26.16	.125	3.18	.105	2.67
16	809-108F18	809-108V18	809-108X18	.981	24.92	1.030	26.16	1.219	30.96	.125	3.18	.105	2.67
17	809-108F19	809-108V19	809-108X19	1.060	26.92	1.092	27.74	1.280	32.51	.125	3.18	.105	2.67
19	809-108F44	809-108V44	809-108X44	1.191	30.25	1.218	30.94	1.432	36.37	.125	3.18	.105	2.67
21	809-108F43	809-108V43	809-108X43	1.322	33.58	1.332	33.83	1.570	39.88	.125	3.18	.105	2.67

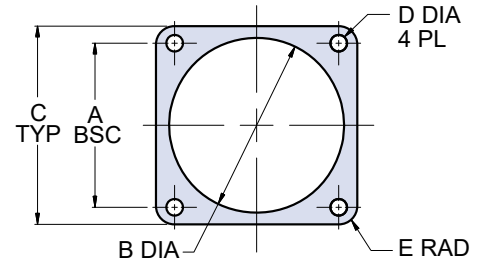
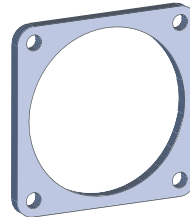
ACCESSORIES, BACKSHELLS, AND TOOLS



Flange Gaskets

FLANGE GASKETS FOR SERIES 802 MIGHTY MOUSE SQUARE FLANGE RECEPTACLES

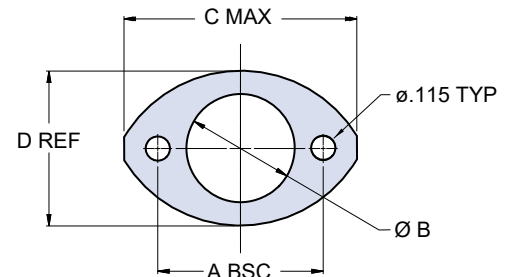
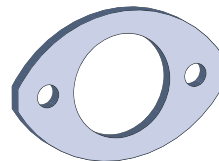
These flange gaskets provide sealing between square flange receptacles and the mounting panel. Choose fluorosilicone, Viton®, or neoprene material. Gaskets are .032" (0.8) thick.



Shell Size	Part Number			Dimensions									
	Fluorosilicone	Viton®	Neoprene	A Bsc.		B Dia.		C Typ.		D Dia.		E Rad.	
				In.	mm.	In.	mm.	In.	mm.	In.	mm.	In.	mm.
5	809-108F51	809-108V51	809-108N51	.500	12.70	.448	11.38	.885	22.48	.125	3.18	.105	2.67
6	809-108F52	809-108V52	809-108N52	.625	15.88	.572	14.53	1.010	25.65	.125	3.18	.105	2.67
7	809-108F53	809-108V53	809-108N53	.688	17.48	.635	16.13	1.072	27.23	.125	3.18	.105	2.67
8	809-108F54	809-108V54	809-108N54	.750	19.05	.698	17.73	1.135	28.83	.125	3.18	.105	2.67
9	809-108F55	809-108V55	809-108N55	.812	20.62	.760	19.30	1.195	30.35	.125	3.18	.105	2.67
10	809-108F56	809-108V56	809-108N56	.875	22.23	.822	20.88	1.260	32.00	.125	3.18	.105	2.67
12	809-108F57	809-108V57	809-108N57	.938	23.83	.885	22.48	1.323	33.60	.125	3.18	.105	2.67
14	809-108F58	809-108V58	809-108N58	1.125	28.58	1.072	27.23	1.510	38.35	.125	3.18	.105	2.67
15	809-108F59	809-108V59	809-108N59	1.188	30.18	1.135	28.83	1.573	39.95	.125	3.18	.105	2.67
21	809-108F60	809-108V60	809-108N60	1.375	34.93	1.448	36.78	1.760	44.70	.125	3.18	.105	2.67

FLANGE GASKETS FOR SERIES 803 MIGHTY MOUSE RECEPTACLES

These flange gaskets provide sealing between elliptical flange receptacles and the mounting panel. Choose fluorosilicone, Viton®, or conductive fluorosilicone material (Chomerics 1298 silver-filled). Gaskets are .032" (0.8) thick.



Shell Size	Part Number			Dimensions							
	Fluorosilicone	Viton®	Conductive Fluorosilicone	A Bsc.		B Dia.		C Max.		D Ref.	
				In.	mm.	In.	mm.	In.	mm.	In.	mm.
5	809-108F31	809-108V31	809-108X31	.513	13.03	.345	8.00	.710	18.03	.460	11.68
6	809-108F32	809-108V32	809-108X32	.598	15.19	.405	10.29	.795	20.19	.522	13.26
7	809-108F33	809-108V33	809-108X33	.708	17.98	.475	12.07	.900	22.86	.590	14.99
8	809-108F34	809-108V34	809-108X34	.964	24.51	.545	13.84	1.160	29.46	.670	17.02
9	809-108F35	809-108V35	809-108X35	1.017	25.83	.605	15.37	1.215	30.86	.721	18.31
10	809-108F36	809-108V36	809-108X36	1.101	27.97	.682	17.32	1.295	32.89	.795	20.19
12	809-108F37	809-108V37	809-108X37	1.204	30.58	.757	19.23	1.400	35.56	.874	22.20
14	809-108F38	809-108V38	809-108X38	1.280	32.51	.910	23.11	1.555	39.50	1.050	26.67
15	809-108F39	809-108V39	809-108X39	1.370	34.80	.970	24.64	1.640	41.66	1.150	29.21



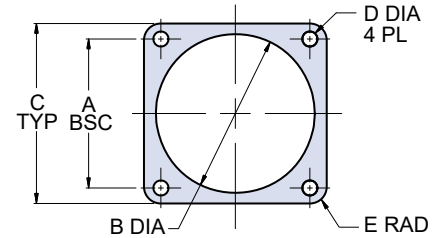
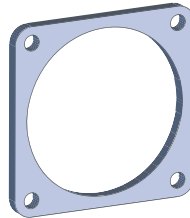
SERIES 80 MIGHTY MOUSE CONNECTORS Accessories, Backshells, and Tools



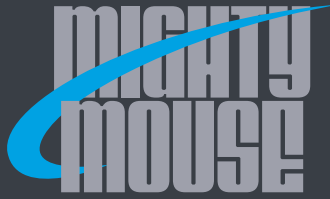
Flange Gaskets

FLANGE GASKETS FOR SERIES 805 MIGHTY MOUSE SQUARE FLANGE RECEPTACLES

These flange gaskets provide sealing between square flange receptacles and the mounting panel. Choose fluorosilicone, Viton®, or conductive fluorosilicone material (Chomerics 1298 silver-filled). Gaskets are .032" (0.8) thick.



Shell Size	Part Number			Dimensions				
	Fluorosilicone	Viton®	Conductive Fluorosilicone	A Bsc.	B Dia.	C Typ.	D Dia.	E Rad.
8	809-108F20	809-108V20	809-108X20	.660 (16.76)	.530 (13.46)	.850 (21.59)	.093 (2.36)	.078 (1.98)
9	809-108F21	809-108V21	809-108X21	.723 (18.36)	.590 (14.99)	.913 (23.19)	.093 (2.36)	.078 (1.98)
10	809-108F22	809-108V22	809-108X22	.785 (19.94)	.660 (16.76)	.975 (24.76)	.093 (2.36)	.078 (1.98)
11	809-108F23	809-108V23	809-108X23	.848 (21.54)	.720 (18.29)	1.039 (26.39)	.093 (2.36)	.078 (1.98)
12	809-108F24	809-108V24	809-108X24	.909 (23.09)	.780 (19.81)	1.099 (27.91)	.093 (2.36)	.078 (1.98)
13	809-108F29	809-108V29	809-108X29	.973 (24.71)	.842 (21.39)	1.163 (29.54)	.093 (2.36)	.078 (1.98)
15	809-108F25	809-108V25	809-108X25	1.058 (26.87)	.970 (24.64)	1.288 (32.72)	.125 (3.18)	.105 (2.67)
18	809-108F26	809-108V26	809-108X26	1.255 (31.88)	1.160 (29.46)	1.475 (37.47)	.125 (3.18)	.105 (2.67)
19	809-108F27	809-108V27	809-108X27	1.327 (33.71)	1.220 (30.99)	1.537 (39.04)	.125 (3.18)	.105 (2.67)
21	809-108F30	809-108V30	809-108X30	1.452 (36.88)	1.342 (34.09)	1.663 (42.24)	.125 (3.18)	.105 (2.67)
23	809-108F28	809-108V28	809-108X28	1.570 (39.88)	1.458 (37.03)	1.797 (45.64)	.125 (3.18)	.105 (2.67)



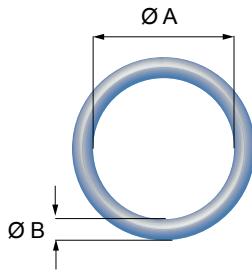
SERIES 80 MIGHTY MOUSE CONNECTORS Accessories, Backshells, and Tools



Series 800 and 801 Conductive and Non-Conductive O-rings

SERIES 800 AND 801 O-RINGS FOR MIGHTY MOUSE JAM NUT RECEPTACLES

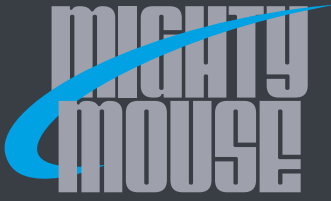
Replace lost or damaged O-rings with standard fluorosilicone O-rings. Or, choose EPDM O-rings for improved resistance to hydraulic fluids. Upgrade to silver-filled conductive O-rings for improved EMI protection.



O-rings for Series 800 Rear Panel Mount, Jam Nut Receptacles (Style 07)						
Shell Size	Part Number				Dimensions	
	Fluoro-silicone	EPDM	Conductive Silicone Cho-Seal 1285	Conductive Fluorosilicone Cho-Seal 1298	ØA	ØB
05	809-067-05F	809-067-05E	249-003-800-05-B	249-003-800-05-C	.364 (9.25)	.045 (1.14)
06	809-067-06F	809-067-06E	249-003-800-06-B	249-003-800-06-C	.426 (10.82)	.050 (1.27)
07	809-067-07F	809-067-07E	249-003-800-07-B	249-003-800-07-C	.489 (12.42)	.055 (1.40)
08	809-067-08F	809-067-08E	249-003-800-08-B	249-003-800-08-C	.558 (14.94)	.051 (1.30)
09	809-067-09F	809-067-09E	249-003-800-09-B	249-003-800-09-C	.614 (15.60)	.070 (1.78)
10	809-067-10F	809-067-10E	249-003-800-10-B	249-003-800-10-C	.709 (18.01)	.079 (2.01)
12	809-067-12F	809-067-12E	249-003-800-12-B	249-003-800-12-C	.801 (20.35)	.070 (1.78)
14	809-067-14F	809-067-14E	249-003-800-14-B	249-003-800-14-C	.926 (23.52)	.070 (1.78)
15	809-067-15F	809-067-15E	249-003-800-15-B	249-003-800-15-C	.989 (25.12)	.070 (1.78)

O-rings for Series 801 Rear Panel Mount, Jam Nut Receptacles (Style 07)						
Shell Size	Part Number				Dimensions	
	Fluoro-silicone	EPDM	Conductive Silicone Cho-Seal 1285	Conductive Fluorosilicone Cho-Seal 1298	ØA	ØB
05	809-054-05F	809-054-05E	249-003-801-05-B	249-003-801-05-C	.394 (10.01)	.047 (1.19)
06	809-054-06F	809-054-06E	249-003-801-06-B	249-003-801-06-C	.459 (11.66)	.049 (1.24)
07	809-054-07F	809-054-07E	249-003-801-07-B	249-003-801-07-C	.578 (14.68)	.040 (1.02)
08	809-054-08F	809-054-08E	249-003-801-08-B	249-003-801-08-C	.578 (14.68)	.040 (1.02)
09	809-054-09F	809-054-09E	249-003-801-09-B	249-003-801-09-C	.650 (16.51)	.045 (1.14)
10	809-054-10F	809-054-10E	249-003-801-10-B	249-003-801-10-C	.709 (18.01)	See Note 1
11	809-054-11F	809-054-11E	N/A	N/A	.780 (19.81)	.047 (1.19)
13	809-054-13F	809-054-13E	249-003-801-13-B	249-003-801-13-C	.894 (22.71)	.047 (1.19)
14	809-054-14F	809-054-14E	N/A	N/A	.945 (24.00)	.047 (1.19)
15	809-054-15F	809-054-15E	N/A	N/A	1.024 (26.01)	.047 (1.19)
16	809-054-16F	809-054-16E	249-003-801-16-B	249-003-801-16-C	1.086 (27.58)	.040 (1.02)
17	809-054-17F	809-054-17E	249-003-801-17-B	249-003-801-17-C	1.142 (29.01)	.043 (1.09)
18	809-054-18F	809-054-18E	N/A	N/A	1.201 (30.51)	.047 (1.19)
19	809-054-19F	809-054-19E	N/A	N/A	1.257 (31.93)	.047 (1.19)
21	809-054-21F	809-054-21E	249-003-801-21-B	249-003-801-21-C	1.417 (35.99)	.047 (1.19)
23	809-054-23F	809-054-23E	249-003-801-23-B	249-003-801-23-C	1.530 (38.86)	.047 (1.19)

1. Non-conductive O-rings are .049 (1.24). Conductive O-rings are .043 (1.09)



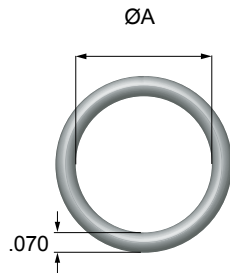
SERIES 80 MIGHTY MOUSE CONNECTORS Accessories, Backshells, and Tools



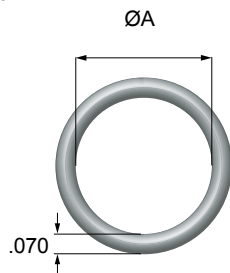
Series 802 Conductive and Non-Conductive O-rings

802 REPLACEMENT FLANGE O-RINGS FOR JAM-NUT AND SQUARE FLANGE RECEPTACLES

These Viton® O-rings fit Series 802 "AquaMouse" rear panel mount jam nut connector flanges.

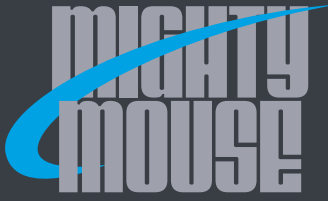


These Viton® Piston O-rings fit Series 802 "AquaMouse".



O-rings for Series 802 Rear Panel Mount, Jam Nut and Square Flange Receptacles						
Shell Size	Jam Nut Flange Style			Square Flange Style		
	Part Number	O-Ring Size	Ø A	Part Number	O-Ring Size	Ø A
	Viton®			Viton®		
05	809-165-05	2-015	.551 (14.00)	809-165-35	2-012	.364 (9.25)
06	809-165-06	2-017	.676 (17.17)	809-165-36	2-014	.489 (12.42)
07	809-165-07	2-018	.739 (18.77)	809-165-37	2-015	.551 (14.00)
08	809-165-08	2-019	.801 (20.35)	809-165-38	2-016	.614 (15.60)
09	809-165-09	2-020	.864 (21.95)	809-165-39	2-017	.676 (17.17)
10	809-165-10	2-021	.926 (23.52)	809-165-40	2-018	.739 (18.77)
12	809-165-12	2-022	.989 (25.12)	809-165-42	2-019	.801 (20.35)
14	809-165-14	2-025	1.176 (29.87)	809-165-44	2-022	.989 (25.12)
15	809-165-15	2-026	1.239 (31.47)	809-165-45	2-023	1.051 (26.70)
19	809-165-19			809-165-		
21	809-165-21	2-030	1.614 (41.00)	809-165-51	2-028	1.364 (34.65)

Piston O-rings for Series 802					
Shell Size	Part Number	ØA	Shell Size	Part Number	ØA
	Viton®	In.		Viton®	In.
05	809-209-05	.208 (5.28)	12	809-209-12	.614 (15.60)
06	809-209-06	.270 (6.86)	14	809-209-14	.801 (20.35)
07	809-209-07	.364 (9.25)	15	809-209-15	.864 (21.95)
08	809-209-08	.384 (9.75)	19	809-209-19	
09	809-209-09	.489 (12.42)	21	809-209-21	1.051 (26.70)
10	809-209-10	.551 (14.00)			



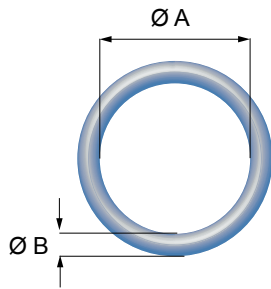
SERIES 80 MIGHTY MOUSE CONNECTORS
Accessories, Backshells, and Tools



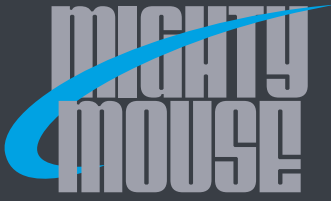
**Series 803 Conductive and
 Non-Conductive O-rings**

803 REPLACEMENT O-RINGS FOR MIGHTY MOUSE JAM-NUT RECEPTACLES

Replace lost or damaged O-rings with standard fluorosilicone O-rings. Or, choose EPDM O-rings for improved resistance to hydraulic fluids.



O-rings for Series 803, Jam-Nut Receptacles				
Shell Size	Part Number		Dimensions	
	Fluoro-silicone	EPDM	ØA	ØB
05	809-189-05F	809-189-05E	.394 (10.01)	.047 (1.19)
06	809-189-06F	809-189-06E	.459 (11.66)	.049 (1.24)
07	809-189-07F	809-189-07E	.578 (14.68)	.040 (1.02)
08	809-189-08F	809-189-08E	.650 (16.51)	.045 (1.14)
09	809-189-09F	809-189-09E	.650 (16.51)	.045 (1.14)
10	809-189-10F	809-189-10E	.780 (19.81)	.047 (1.19)
12	809-189-12F	809-189-12E	.894 (22.71)	.047 (1.19)
14	809-189-14F	809-189-14E	1.086 (27.58)	.040 (1.02)
15	809-189-15F	809-189-15E	1.142 (29.01)	.043 (1.09)

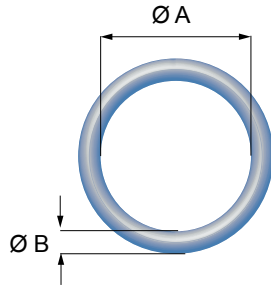


SERIES 80 MIGHTY MOUSE CONNECTORS Accessories, Backshells, and Tools



Series 804 Conductive and Non-Conductive O-rings

804 O-RINGS FOR MIGHTY MOUSE JAM-NUT RECEPTACLES



Replace lost or damaged O-rings with standard fluorosilicone O-rings. Or, choose EPDM O-rings for improved resistance to hydraulic fluids. Upgrade to silver-filled conductive O-rings for improved EMI protection.

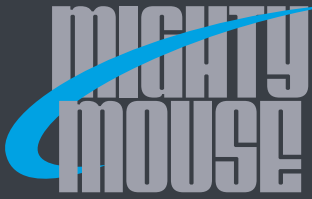
809-055 Material Options	
Designator	Material
B	Silver plated aluminum filled silicone per MIL-DTL-83528, Type "B"
C	Silver silver plated aluminum filled fluorosilicone per MIL-DTL-83528, Type "D"

249-003 Material Options	
Designator	Material
B	Silver plated aluminum filled silicone per MIL-DTL-83528, Type "B"
C	Silver silver plated aluminum filled fluorosilicone per MIL-DTL-83528, Type "D"

Series 804 Rear Panel Mount, Jam-Nut Receptacle Non-Conductive O-ring				
Shell Size	Part Number		Dimensions	
	Fluorosilicone	EPDM	ØA	ØB
-05	809-055-05F	809-055-05E	.505 (12.83)	.070 (1.78)
-06	809-055-06F	809-055-06E	.525 (13.34)	.071 (1.80)
-07	809-055-07F	809-055-07E	.638 (16.21)	.073 (1.85)
-08	809-055-08F	809-055-08E	.688 (17.48)	.070 (1.78)
-09	809-055-09F	809-055-09E	2-018	
-10	809-055-10F	809-055-10E	2-019	
-11	809-055-11F	809-055-11E	2-020	
-12	809-055-12F	809-055-12E	.943 (23.95)	.070 (1.78)
-14	809-055-14F	809-055-14E	2-023	
-15	809-055-15F	809-055-15E	2-024	

Series 804 Rear Panel Mount, Jam-Nut Receptacle Conductive O-rings				
Shell Size	Part Number		Dimensions	
	Conductive Silicone Cho-Seal 1285	Conductive Fluorosilicone Cho-Seal 1298	ØA	ØB
-05	249-003-804-05-B	249-003-804-05-C	.505 (12.83)	.070 (1.78)
-06	249-003-804-06-B	249-003-804-06-C	.525 (13.34)	.071 (1.80)
-07	249-003-804-07-B	249-003-804-07-C	.638 (16.21)	.073 (1.85)
-08	249-003-804-08-B	249-003-804-08-C	.688 (17.48)	.070 (1.78)
-09	249-003-804-09-B	249-003-804-09-C	.750 (19.05)	.070 (1.78)
-10	249-003-804-10-B	249-003-804-10-C	.813 (20.65)	.063 (1.60)
-12	249-003-804-12-B	249-003-804-12-C	.943 (23.95)	.070 (1.78)
-14	249-003-804-14-B	249-003-804-14-C	1.061 (26.95)	.073 (1.85)
-15	249-003-804-15-B	249-003-804-15-C	1.114 (28.30)	.070 (1.78)

Series 804 Front Panel Mount, Jam-Nut Receptacles (Style 00)					
Dash No	Shell Size Ref.	Part Number		Dimensions	
		Fluorosilicone	EPDM	ØA	ØB
-25	-05	809-055-25F	809-055-25E	.571 (14.50)	.071 (1.80)
-26	-06	809-055-26F	809-055-26E	.571 (14.50)	.071 (1.80)
-27	-07	809-055-24F	809-055-24E	2-018	
-28	-08	809-055-28F	809-055-28E	2-018	
-29	-09	809-055-29F	809-055-29E	2-019	
-30	-10	809-055-30F	809-055-30E	2-020	
-31	-11	809-055-31F	809-055-31E	.943 (23.95)	.070 (1.78)
-32	-12	809-055-32F	809-055-32E	2-023	
-34	-14	809-055-34F	809-055-34E	2-024	
-35	-15	809-055-35F	809-055-35E	2-025	

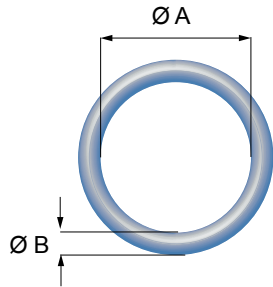


SERIES 80 MIGHTY MOUSE CONNECTORS Accessories, Backshells, and Tools



Series 805 Conductive and Non-Conductive O-rings

O-RING FOR SERIES 805 REAR PANEL MOUNT, JAM-NUT RECEPTACLES



Replace lost or damaged O-rings with standard fluorosilicone O-rings. Or, choose EPDM O-rings for improved resistance to hydraulic fluids. Upgrade to silver-filled conductive O-rings for improved EMI protection.

Shell Size	Part Number				Dimensions	
	Fluoro-silicone	EPDM	Conductive Silicone Cho-Seal 1285	Conductive Fluorosilicone Cho-Seal 1298	ØA	ØB
08	809-150-08F	809-150-08E	249-003-805-08-B	249-003-805-08-C	.578 (14.68)	.040 (1.02)
09	809-150-09F	809-150-09E	249-003-805-09-B	249-003-805-09-C	.709 (18.01)	.045 (1.14)
10	809-150-10F	809-150-10E	249-003-805-10-B	249-003-805-10-C	.709 (18.01)	See Note 1
11	809-150-11F	809-150-11E	249-003-805-11-B	249-003-805-11-C	.780 (19.81)	.047 (1.19)
12	809-150-12F	809-150-12E	249-003-805-12-B	249-003-805-12-C	.894 (22.71)	.047 (1.19)
13	809-150-13F	809-150-13E	249-003-805-13-B	249-003-805-13-C	.945 (24.00)	.047 (1.19)
15	809-150-15F	809-150-15E	249-003-805-15-B	249-003-805-15-C	1.024 (26.01)	.047 (1.19)
18	809-150-18F	809-150-18E	249-003-805-18-B	249-003-805-18-C	1.201 (30.51)	.047 (1.19)
19	809-150-19F	809-150-19E	249-003-805-19-B	249-003-805-19-C	1.257 (31.93)	.047 (1.19)
21	809-150-21F	809-150-21E	249-003-805-21-B	249-003-805-21-C	1.417 (35.99)	.047 (1.19)
23	809-150-23F	809-150-23E	249-003-805-23-B	249-003-805-23-C	1.530 (38.86)	.047 (1.19)

1. Non-conductive O-rings are .049 (1.24). Conductive O-rings are .045 (1.14)



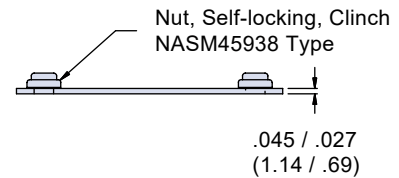
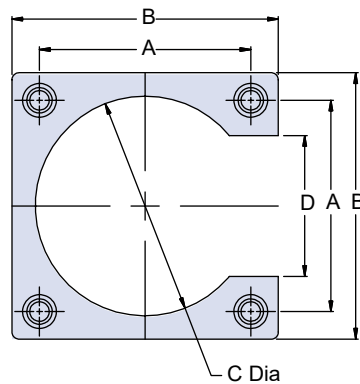
SERIES 80 MIGHTY MOUSE CONNECTORS Accessories, Backshells, and Tools



Mounting Flange with Standard or Metric Threads for Series 800, 801, 802, and 805 Connectors



How To Order			
Sample Part Number	809-199	-10	EAP
Series	809-199 = Mounting Flange with standard threads 809-303 = Mounting Flange with metric threads		
Dash No.	1 thru 22		
Shell Material/Finish	Mounting Flange: Aluminum Alloy Clinch Nuts: Cres/Passivate Omit for Chem Film per MIL-C-5541 EAP - Polyamide Primer per MIL-PRF-23377		



Dash No	800 shell Size	801 Shell Size	802 Shell Size	805 Shell Size	Dimensions										809-199 Thread Size	809-303 Thread Size
					A ± .005		B ± .010		C ± .010		D ± .010					
					in	mm	in	mm	in	mm	in	mm				
1			5		.500	12.70	.780	19.81	.400	10.16	.220	5.59	4-40	M3 X .5		
2			6		.625	15.88	.905	22.99	.600	15.24	.345	8.76	4-40	M3 X .5		
3				8	.660	16.76	.880	22.35	.700	17.78	.440	11.18	2-56	M2 X .4		
4			7		.688	17.48	.968	24.59	.680	17.27	.408	10.36	4-40	M3 X .5		
5	9,10				.720	18.29	1.000	25.40	.728	18.49	.440	11.18	4-40	M3 X .5		
6				9	.720	18.29	.940	23.88	.728	18.49	.440	11.18	2-56	M2 X .4		
7			8		.750	19.05	1.030	26.16	.770	19.56	.470	11.94	4-40	M3 X .5		
8				10	.785	19.94	1.005	25.53	.805	20.45	.565	14.35	2-56	M2 X .4		
9	12	13	9		.812	20.62	1.092	27.74	.860	21.84	.532	13.51	4-40	M3 X .5		
10				11	.848	21.54	1.068	27.13	.868	22.05	.628	15.95	2-56	M2 X .4		
11			10		.875	22.23	1.155	29.34	.946	24.03	.595	15.11	4-40	M3 X .5		
12	14				.909	23.09	1.189	30.20	.955	24.26	.629	15.98	4-40	M3 X .5		
13				12	.909	23.09	1.129	28.68	.909	23.09	.629	15.98	2-56	M2 X .4		
14			12		.938	23.83	1.218	30.94	1.018	25.86	.658	16.71	4-40	M3 X .5		
15	15				.969	24.61	1.249	31.72	1.049	26.64	.689	17.50	4-40	M3 X .5		
16		16			.981	24.92	1.261	32.03	1.061	26.95	.701	17.81	4-40	M3 X .5		
17		17		15	1.060	26.92	1.340	34.04	1.140	28.96	.780	19.81	4-40	M3 X .5		
18			14		1.125	28.58	1.405	35.69	1.205	30.61	.845	21.46	4-40	M3 X .5		
19		19*	15		1.188	30.18	1.468	37.29	1.268	32.21	.908	23.06	4-40	M3 X .5		
20				18	1.255	31.88	1.535	38.99	1.335	33.91	.975	24.77	4-40	M3 X .5		
21		21*		19	1.327	33.71	1.607	40.82	1.407	35.74	1.047	26.59	4-40	M3 X .5		
22				23	1.570	39.88	1.850	46.99	1.650	41.91	1.290	32.77	4-40	M3 X .5		

* Available for 809-199 only

ACCESSORIES, BACKSHELLS, AND TOOLS



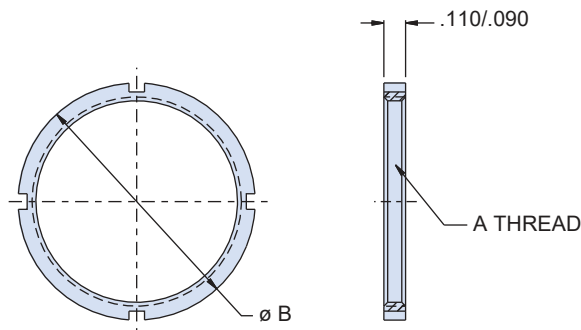
SERIES 80 MIGHTY MOUSE CONNECTORS Accessories, Backshells, and Tools



Standard Jam-Nut for Series 800, 801, 804, and 805 Jam-Nut Receptacles

STANDARD SERIES 80 LOW PROFILE JAM-NUT

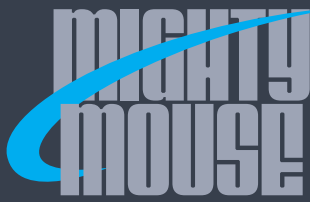
For replacement of lost or damaged standard low profile jam-nuts. Will fit Series 800, 801, 804, and 805 jam-nut receptacles. Use with Glenair spanner tool 600-146. See spanner wrench sockets for each series to get appropriate torque values.



How To Order			
Sample Part Number	809-094	-M	-7
Series (See Table I)	809-094		
Shell Material and Finish	C = Aluminum / Black Anodize (Non-Conductive) RoHS Compliant M = Aluminum / Electroless Nickel NF = Aluminum / Cadmium with Olive Drab ZN = Aluminum / Zinc-Nickel with Olive Drab Chromate ZI = Stainless Steel / Passivated		
Dash No.	See Dash Number Table		

Dash No.	Dash Number						
	800	801	804		805	A Thread Class 2B	B Dia
			-00 style	-07 style			
-1	5					.3125-28 UN-2B	0.43 (10.92)
-2	6	5				.3750-28 UN-2B	0.50 (12.70)
-3	7	6				.4375-28 UNEF-2B	0.56 (14.22)
-3-3				5		.4375-32 UN-2B	0.56 (14.22)
-4	8		5	6		.5000-32 UN-2B	0.62 (15.75)
-5					8	.5625-28 UN-2B	0.68 (17.27)
-5-5	9	7, 8	6			.5625-32 UN-2B	0.68 (17.27)
-6		9		7,8		.6250-28 UN-2B	0.75 (19.05)
-6-6	10					.6250-32 UN-2B	0.75 (19.05)
-7		10	7, 8	9	9, 10	.6875-28 UN-2B	0.81 (20.57)
-8	12	11	9	10	11	.7500-28 UN-2B	0.87 (22.10)
-9			10	11	12	.8125-28 UN-2B	0.93 (23.62)
-10	14	13	11	12	13	.8750-28 UN-2B	1.00 (25.40)
-11	15					.9375-28 UN-2B	1.06 (26.92)
-12			12	14	15	1.0000-28 UN-2B	1.12 (28.45)
-13		16	14	15		1.0625-20 UN-2B	1.18 (29.97)
-14		17	15			1.1250-28 UN-2B	1.25 (31.75)
-15					18	1.1875-28 UN-2B	1.31 (33.27)
-16		19			19	1.2500-28 UN-2B	1.37 (34.80)
-18		21			21	1.3750-28 UN-2B	1.50 (38.10)
-20					23	1.5000-28 UN-2B	1.62 (41.15)

ACCESSORIES, BACKSHELLS, AND TOOLS

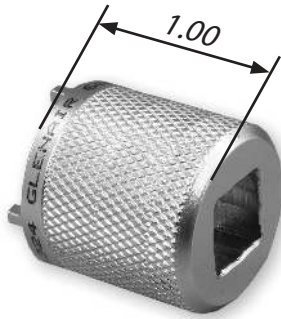


SERIES 80 MIGHTY MOUSE CONNECTORS Accessories, Backshells, and Tools



Standard Length Jam-Nut Spanner Wrench Socket and Recommended Torque Values

600-146 SPANNER WRENCH SOCKET FOR SERIES 800, 801, AND 804 (SHELL STYLE 07) JAM-NUTS



For use with Series 800, 801, 804. 3/8" square drive for use with torque wrench. Heat-treated steel, nickel plated.

How To Order		
Sample Part Number	600-146	07
Series	600-146	
Dash No.	See Dash Number Table	

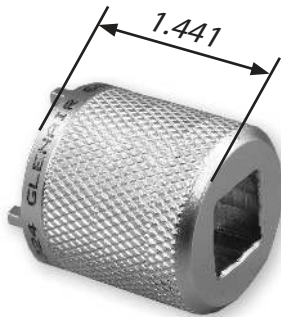
NOTES

- To order as a kit, replace dash number with "KIT" i.e.: substitute 600-146-XX with 600-146-KIT.
- Kit consists of all connector family shell size tools

Dash Number Table						Recommended Torque In/Lbs	
Series 800		Series 801		Series 804*		Min	Max
Shell Size	Dash No	Shell Size	Dash No	Shell Size	Dash No		
5	01	5	02	5	03	20	25
6	02	6	03	6	04	20	25
7	03	7	05	7	06	20	25
8	04	8	05	8	06	20	25
9	05	9	06	9	07	25	30
10	06	10	07	10	08	25	30
12	08	11	08	12	10	25	30
		13	10	14	12	25	30
		16	13	15	13	25	30
		17	14			25	30
		19	16			25	30
		21	17			25	30

*Rear Mount Only. See 600-147 for front mount tool

600-147 SPANNER WRENCH SOCKET FOR SERIES 804 (SHELL STYLE 00) LOW PROFILE JAM-NUTS



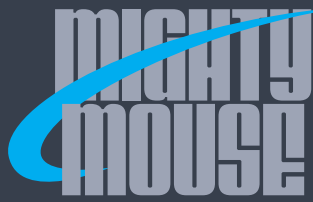
For use with Series 804 front panel mount. 3/8" square drive for use with torque wrench. Heat-treated steel, nickel plated.

How To Order		
Sample Part Number	600-147	7
Series	600-147	
Dash No.	See Dash Number Table	

Dash Number Table			
Shell Size	Dash No	Recommended Torque In/Lbs	
		Min	Max
5	5	Min	Max
6	6	20	25
6	6-1	20	25
7	7	20	25
9	9	20	25
10	10	25	30
12	12	25	30
14	14	25	30
15	15	25	30

NOTES

- To order as a kit, replace dash number with "KIT" i.e.: substitute 600-147-XX with 600-147-KIT.
- Kit consists of all connector family shell size tools

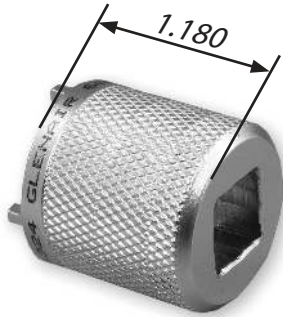


SERIES 80 MIGHTY MOUSE CONNECTORS Accessories, Backshells, and Tools



Standard Length Jam-Nut Spanner Wrench Socket and Recommended Torque Values

600-154 SPANNER WRENCH SOCKET FOR SERIES 805 LOW PROFILE JAM-NUTS



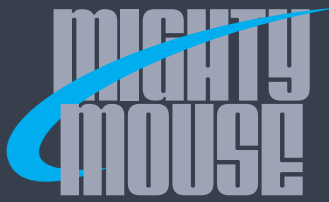
Use these tools to tighten Series 805 jam-nuts. 3/8" square drive for use with torque wrenches. Heat-treated steel, nickel plated.

How To Order		
Sample Part Number	600-154	11
Series	600-154	
Dash No.	See Dash Number Table	

Dash Number Table			
Series 805		Recommended Torque Value	
Shell Size	Dash No	Min	Max
8	08	20	25
9, 10	09	20	25
11	11	20	25
12	12	25	30
13	13	25	30
15	15	25	30
18	18	25	30
19	19	25	30
21	21	25	30
23	23	25	30
All Shell Sizes	KIT		

NOTES

- To order as a kit, replace dash number with "KIT" i.e.: substitute 600-154-**XX** with 600-154-**KIT**.
- Kit consists of all connector family shell size tools

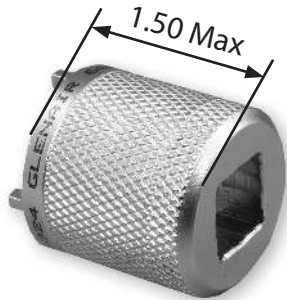


SERIES 80 MIGHTY MOUSE CONNECTORS Accessories, Backshells, and Tools



Extended Length Jam-Nut Spanner Wrench Socket and Recommended Torque Values

EXTENDED LENGTH SPANNER WRENCH SOCKET FOR SERIES 80 LOW PROFILE JAM-NUTS FOR EXTENDED LENGTH JAM-NUT CONNECTORS WITH SIZE #8 CONTACT ARRANGEMENTS



Extended length spanner wrench sockets are used to tighten jam-nuts for Series 801 and 805 connectors with size #8 contacts requiring a longer shell. For use 3/8" square drive. Nickel-plated heat-treated steel.

How To Order		
Sample Part Number	600-197	-05
Series	600-197	
Dash No.	See Dash Number Table	

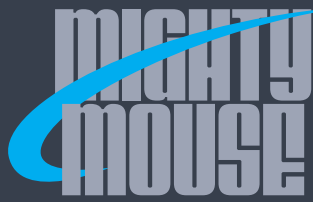
To order as a kit, replace dash number with connector series number. For example, substitute 600-197-05 with 600-197-801 for Series 801.

Kit consists of all connector series shell size tools

Dash Number Table		
Dash No	Series 801 Shell Size	Series 805 Shell Size
05	8	-
07	-	10
13	16	-
14	17	-
15	-	18
16	19	19
17	21	21
18	-	23

LOW PROFILE JAM-NUT TORQUE VALUES

Series 801 and 805 Recommended Torque Values				
Dash No	801 Series Shell Size	805 Series Shell Size	Recommended Torque Value In-lbs.	
			Min.	Max.
05	8	-	20	25
07	-	10	20	25
13	16	-	25	30
14	17	-	25	30
15	-	18	25	30
16	19	19	25	30
17	21	21	25	30
18	-	23	25	30



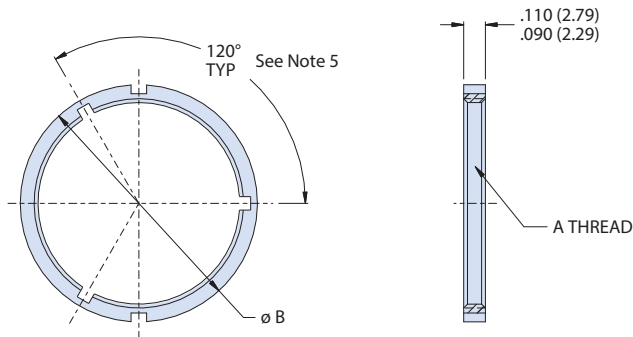
SERIES 80 MIGHTY MOUSE CONNECTORS Accessories, Backshells, and Tools



Low Profile Series 803 Jam-Nut and Spanner Wrench Socket

SERIES 803 LOW PROFILE JAM-NUT

For replacement of lost or damaged standard low profile jam-nuts. Will fit Series 803 jam-nut receptacles. Use with Glenair spanner tool 600-146. See spanner wrench socket for series to get appropriate torque values.



How To Order			
Sample Part Number	809-183	-M	1
Series (See Table I)	809-183		
Shell Material and Finish	C = Aluminum / Black Anodize (Non-Conductive) RoHS Compliant M = Aluminum / Electroless Nickel NF = Aluminum / Cadmium with Olive Drab ZN = Aluminum / Zinc-Nickel with Olive Drab Chromate ZI = Stainless Steel / Passivated		
Dash No.	See Table I		

Table I: Dash Number			
Dash No.	803 Series Shell Size	A Thread Class 2B	B Dia
1	5	.3750-32 UN-2B	.50 (12.70)
2	6	.4375-28 UNEF-2B	.56 (14.22)
3	7	.5625-32 UN-2B	.68 (17.27)
4	8,9	.6250-28 UN-2B	.75 (19.05)
5	10	.6875-28 UN-2B	.81 (20.57)
6	12	1.0625-28 UN-2B	1.00 (25.4)
7	14	1.0625-20 UN-2B	1.18 (29.97)
8	12	1.1250-28 UN-2B	1.25 (31.75)

SPANNER WRENCH SOCKET FOR SERIES 803 LOW PROFILE JAM-NUTS



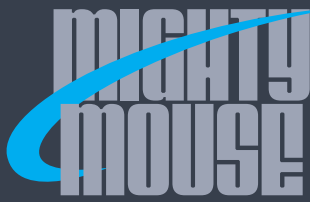
Use these tools to tighten Series 803 jam-nuts. 1/4" or 3/8" square drive for use with torque wrenches. Heat-treated steel, nickel plated.

How To Order		
Sample Part Number	600-137	-12
Series	600-137	
Shell Size	See Shell Size Table	

Series 803 Shell Size			
Shell Size	Drive Square	Shell Size	Drive Square
5	1/4"	10	3/8"
6	1/4"	12	3/8"
7	1/4"	14	3/8"
8,9	3/8"	15	3/8"

Series 803 Recommended Torque Values		
Shell Size	Inch Lbs.	
	Min	Max
5	20	25
6	20	25
7, 8	20	25
9	20	25
10	20	25
12	25	30
14	25	30
15	25	30

ACCESSORIES, BACKSHELLS, AND TOOLS



SERIES 80 MIGHTY MOUSE CONNECTORS Accessories, Backshells, and Tools



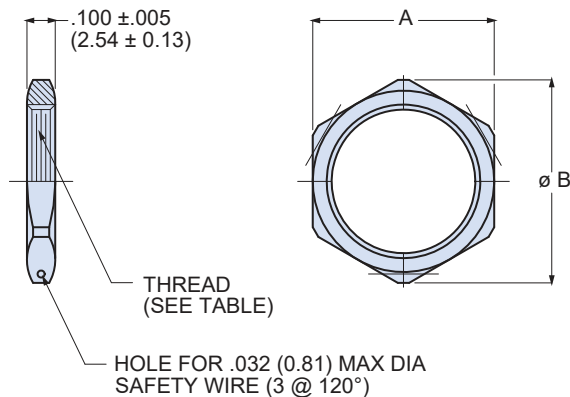
Hex Nut with Wire Holes for Series 80 Jam-Nut Receptacles

HEX JAM NUTS FOR MIGHTY MOUSE RECEPTACLES



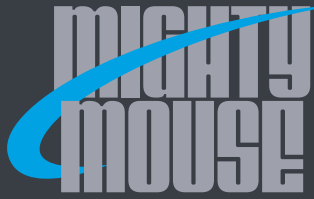
Replace low-profile spanner-style jam nuts with hex nuts for applications where jam nuts must be safety-wired to prevent loosening. These hex nuts fit all standard Series 80 jam nut receptacles except for Series 803 bayonet-coupling versions. Use Glenair Modification Code 501 to specify hex nuts to be supplied with connector.

How To Order				
Sample Part Number	809-035	-M	03	W
Series (See Table I)	809-035			
Shell Material and Finish	C = Aluminum / Black Anodize (Non-Conductive) RoHS Compliant M = Aluminum / Electroless Nickel NF = Aluminum / Cadmium with Olive Drab ZN = Aluminum / Zinc-Nickel with Olive Drab Chromate ZI = Stainless Steel / Passivated			
Dash No.	See Table			
Wire Holes	W = Wire Holes Omit for none			



Dash No	Thread Size Class 2B	Dimensions	
		A Hex	B Dia.
01	.2500-32 UNEF	.375 (9.52)	.403 (10.24)
02	.3125-28 UN	.4375 (11.11)	.475 (12.07)
03	.3125-32 UNEF	.4375 (11.11)	.475 (12.07)
04	.3750-28 UN	.500 (12.70)	.547 (13.89)
05	.4375-28 UNEF	.5625 (14.29)	.620 (15.75)
23	.5000-32 UN	.625 (15.88)	.690 (17.53)
06	.5625-24 UNEF	.6875 (17.46)	.755 (19.18)
16	.5625-28 UN	.6875 (17.46)	.755 (19.18)
07	.5625-32 UN	.6875 (17.46)	.755 (19.18)
08	.6250-28 UN	.750 (19.05)	.830 (21.08)
09	.6875-28 UN	.8125 (20.64)	.898 (22.81)
10	.7500-28 UN	.875 (22.23)	.970 (24.64)
17	.8125-28 UN	.9375 (23.81)	1.030 (26.16)
11	.8750-28 UN	1.000 (25.40)	1.078 (27.38)
12	.9375-20 UNEF	1.0625 (26.99)	1.187 (30.15)
13	.9375-28 UN	1.063 (27.00)	1.187 (30.15)
18	1.0000-28 UN	1.125 (28.58)	1.200 (30.48)
14	1.0625-20 UN	1.188 (30.18)	1.264 (32.11)
15	1.1250-28 UN	1.250 (31.75)	1.325 (33.65)
19	1.1875-28 UN	1.313 (33.35)	1.415 (35.94)
20	1.2500-28 UN	1.375 (34.92)	1.490 (37.85)
22	1.3750-28 UN	1.500 (38.10)	1.625 (41.28)
21	1.5000-28 UN	1.625 (41.28)	1.750 (44.45)

ACCESSORIES, BACKSHELLS, AND TOOLS



SERIES 80 MIGHTY MOUSE CONNECTORS

Accessories, Backshells, and Tools

Accessory Thread Information



ABOUT ACCESSORY THREAD SIZES FOR SERIES 80 CONNECTORS

Series 80 Connectors accept a variety of thread-on backshells and adapters. This section contains ordering information for these fittings, arranged by thread size.

The Accessory Thread Table below identifies the accessory thread sizes for each Series 80 product type. Find the correct accessory thread code from this table, and use this information to identify the correct accessory part number from the following pages.

Some Mighty Mouse sizes are compatible with MIL-DTL-38999 Series I/II accessories.

The table below lists the D38999 shell sizes which share the same threads with Series 80 connectors.

For example, any accessory which fits a 38999 Series II shell size 8 connector will also fit a Series 800 shell size 7 connector.

How to order a 38999 accessory compatible with Series 80 connectors:

- 1 Find the Series 80 shell size and thread size in the Accessory Thread Table below.
- 2 Find the corresponding 38999 shell size in the right hand column of the table.
- 3 Find a suitable accessory in Glenair's catalog. Use connector designator "F" and the correct shell size from the table.

ACCESSORY THREAD TABLE

Find the correct accessory thread code from this table, and use this information to identify the correct accessory part number from the following pages.

Series 802 AquaMouse™ connectors are intended for high pressure submersible applications. The accessories in this section are not recommended for use on Series 802 connectors. Contact Glenair for information on special heavy-duty stainless steel accessories for the Series 802.

Accessory Thread	Size Code	Shell Size					
		Series 800	Series 801	Series 803	Series 804	Series 805	38999 Sr II
.2500-32 UNEF	05	5	5	5	5		
.3125-32 UNEF	06	6	6	6	6		
.3750-32 UNEF	11					8	
.4375-28 UNEF	07	7	7	7	7	9	8
.5000-28 UNEF	08	8	8	8	8	10	
.5625-24 UNEF	09	9	9	9	9	11	10
.6250-24 UNEF	10	10	10	10	10	12	
.6875-24 UNEF	12	12	11, 13	12	11, 12	13	12
.7500-20 UNEF	13					15	
.9375-20 UNEF	14		16, 17	14, 15	14, 15	18, 19	16
1.0625-18 UNEF	16		19			21	18
1.1875-18 UNEF	17		21			23	20

USING 38999 SERIES II ACCESSORIES WITH SERIES 80 CONNECTORS- SOME EXAMPLES

1 Using a Swing Arm backshell on a Mighty Mouse connector.

Connector Part Number
801-008-16M9-19PA

Shell Size 9

Shell size 9 Series 801 corresponds to shell size 10 38999 Series II. Use Connector Designator "F" and shell size 10 in the part number:

Backshell Part Number
319F064XO10

Connector Designator F

Shell Size 10

2 Using a TAG® Ring backshell on a Mighty Mouse connector.

Connector Part Number
804-002-06NF14-55P

Shell Size 14

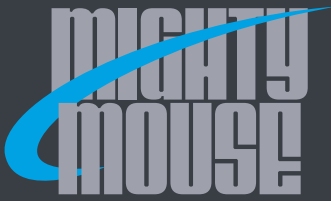
Shell size 14 Series 804 corresponds to shell size 16 38999 Series II. Use Connector Designator "F" and shell size "16" in the part number:

Backshell Part Number
400FS001NF1606L6

Connector Designator F

Shell Size 16

NOTE: That while the accessories from Series I/II will work with Series 80 Mighty Mouse connectors, it is recommended that the customer uses a purpose built M code adapter, which is sometimes necessary for high density applications.



SERIES 80 MIGHTY MOUSE CONNECTORS Accessories, Backshells, and Tools



Series 800, 801, 803, 804 and 805 Shorting Cap with Lanyard Attachment

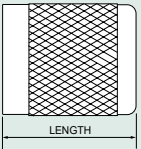


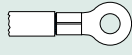

340MS026

Shorting Cap Applications — These caps are used to cover up exposed wires on the back of a shorting connector. Shorting connectors are used to protect critical circuits from static discharge.

Plugs can also re-route circuits in switching applications. Or, resistors and active electronics can be installed. Whatever the application, a shorting cap is a simple way to cover up the back end of the connector.

Table I: Overall Length	
-4 - .50 (12.7)	-10 - 2.00 (50.8)
-5 - .75 (19.1)	-11 - 2.25 (57.2)
-6 - 1.00 (25.4)	-12 - 2.50 (63.5)
-7 - 1.25 (31.8)	-13 - 2.75 (69.9)
-8 - 1.50 (38.1)	-14 - 3.00 (76.2)
-9 - 1.75 (44.5)	

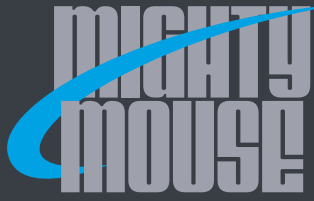


Lanyard Code	
Omit for attachment types N (No Attachment) and SK (Slip Knot)	
	01 - .126 (3.20) I.D. 02 - .145 (3.68) I.D. 04 - .188 (4.78) I.D. 06 - .197 (5.00) I.D.
Small Ring	
	14 - .385 (9.78) I.D. 15 - .445 (11.30) I.D. 16 - .570 (14.48) I.D. 17 - .635 (16.13) I.D. 18 - .695 (17.65) I.D. 19 - .885 (22.48) I.D. 20 - 1.070 (27.17) I.D. 21 - 1.135 (28.83) I.D. 22 - 1.210 (30.73) I.D.
Large Solid Ring	

NOTES

- Materials
 - Cap: Aluminum Alloy 6061-T6 or 300 Series Stainless Steel
 - O-Ring: Silicone Rubber
 - Hardware: 300 Series Stainless Steel

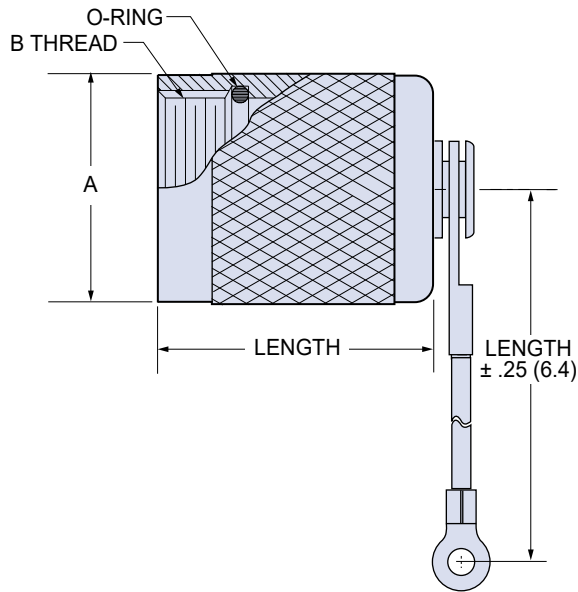
How To Order							
Sample Part Number	340MS026	M	G	07	-4	02	-6
Series	340MS026 = Straight Shorting Cap Backshell						
Shell Material and Finish	C = Aluminum / Black Anodize (Non-Conductive) RoHS Compliant M = Aluminum / Electroless Nickel NF = Aluminum / Cadmium with Olive Drab ZN = Aluminum / Zinc-Nickel with Olive Drab Chromate ZNU = Aluminum / Zinc-Nickel with Black Chromate MT = Aluminum / Nickel-PTFE ZI = Stainless Steel / Passivated						
Attachment Type	G = Nylon Rope H = SST Wire Rope, Fluoropolymer® Jacket N = No Attachment S = SST Sash Chain SK = Nylon Rope With Slip Knot U = SST Wire Rope, Polyurethane Jacket						
Size Code	05, 06, 11, 07, 08, 09, 10, 12, 13, 14, 16, 17						
Overall Length (See Table I)	-4, -5, -7, -8, -9, -10, -11, -12, -13, -14						
Attachment Code (See Table II)	Omit for attachment Type N (No Attachment) Small Ring Large Solid Ring 01, 02, 04, 06 14, 15, 16, 17, 18, 19, 20, 21, 22						
Attachment Length in Inches	Omit for attachment Type N (No Attachment) Example: "-6" equals six inch length						

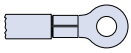
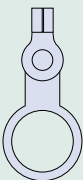



SERIES 80 MIGHTY MOUSE CONNECTORS Accessories, Backshells, and Tools







Series 800, 801, 803, 804 and 805 Direct Coupling Shorting Cap with Lanyard Attachment



Attachment Options						
 Small Ring for Attaching to a Panel with a Screw	Dia. Code	Ring I.D.		Ring O.D.		
		In.	mm.	In.	mm.	
	01	±.005	±0.13	Max.	Max.	
	02	.126	3.20	.31	7.9	
	04	.145	3.68	.31	7.9	
06	.188	4.78	.31	7.9		
 Large Solid Ring for Attaching to a Jam Nut Receptacle	Dia. Code	Ring I.D.		Ring O.D.		
		In.	mm.	In.	mm.	
	14	±.010	±0.25	±.015	±0.38	
	15	.385	9.78	.510	12.95	
	16	.445	11.30	.565	14.35	
	17	.570	14.48	.685	17.40	
	18	.635	16.13	.760	19.30	
	19	.695	17.65	.820	20.82	
	20	.885	22.48	1.010	25.65	
21	1.070	27.17	1.195	30.35		
22	1.135	28.83	1.250	31.75		
22	1.210	30.73	1.312	33.32		
 Nylon Rope With Slip Knot (SK) for Attaching Covers to Cable	-65° to +100°C., black, very flexible, very good abrasion resistance, good resistance to fuels, .120" (3mm) diameter. Length includes .5" (13mm) diameter loop.					

Dimensions					
Size Code	Shell Size Reference		Ø A Max.		B Threads
	800/801 803/804	805	In.	mm.	
05	5	N/A	.350	8.89	.250-32 UNEF-2B
06	6	N/A	.415	10.54	.3125-32 UNEF-2B
11	N/A	8	.465	11.81	.3750-32 UNEF-2B
07	7	9	.530	13.46	.4375-28 UNEF-2B
08	8	10	.595	14.35	.5000-28 UNEF-2B
09	9	11	.650	16.51	.5625-24 UNEF-2B
10	10	12	.715	18.16	.6250-24 UNEF-2B
12	11/12/13	13	.785	19.94	.6875-24 UNEF-2B
13	N/A	15	.830	21.08	.7500-20 UNEF-2B
14	14/15/16/17	18/19	1.020	25.91	.9375-20 UNEF-2B
16	19	21	1.155	29.34	1.0625-18 UNEF-2B
17	21	23	1.270	32.26	1.1875-18 UNEF-2B

Lanyard Options	
 Nylon Rope (G)	-65° to +100°C., black, very flexible, very good abrasion resistance, good resistance to fuels, .120" (3mm) diameter
 Polyurethane Coated Wire Rope (U)	Black polyurethane over stainless steel rope, -65° to +125°C., flexible, excellent abrasion resistance, excellent resistance to fuels, .080" (2mm) diameter
 Fluoropolymer Jacketed Wire Rope (H)	Translucent FEP jacket over stainless steel, -65° to +200°C., fair flexibility, good abrasion resistance, .100" diameter
 Sash Chain (S)	Stainless steel, #8 chain, .240" (6mm)

ACCESSORIES, BACKSHELLS, AND TOOLS



SERIES 80 MIGHTY MOUSE CONNECTORS Accessories, Backshells, and Tools



Series 800, 801, 803, 804 and 805 Extended Length Shorting Cap with Rotatable Coupling



340MS001

Extended Length Shorting Cap Applications — Shorting caps are used to cover up exposed wires on the back of a shorting connector. Shorting connectors are used to protect critical circuits from static discharge.

Extended length shorting caps also provide the same protection but

accommodate the need for additional resistors and active electronics when needed.

Rotatable nut coupling makes for easy installation while mechanical detent aids the coupling nut in maintaining clamp force under shock and vibration to prevent backoff.

How To Order

Sample Part Number	340MS001	M	12	-5	E	A
Series	340MS001 Straight Backshell and Shorting Cap					
Material and Finish	C = Aluminum / Black Anodize (Non-Conductive) RoHS Compliant M = Aluminum / Electroless Nickel NF = Aluminum / Cadmium with Olive Drab ZN = Aluminum / Zinc-Nickel with Olive Drab Chromate ZNU = Aluminum / Zinc-Nickel with Black Chromate Z1 = Stainless Steel / Passivated					
Size Code	05, 06, 07, 08, 09, 10, 12, 13, 14, 16, 17 ; see Table I					
Length	Length in .5 inch increments. Example: 6 = 3.0 inches Standard minimum length is 1.00 inch (dash code -2)					
Attachment Sym	See Table II					
Attachment Length	Length in .5 inch increments. Example: 6 = 3.0 inches					
Att. Ring Dia.	See Table III					

Table II : Attachment Sym

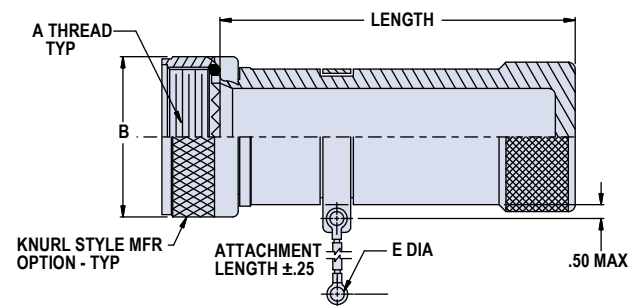
Sym	Description
C	No Attachment, Body Strap Only
D	Bead Chain, CRES/Passivate, with Terminal
E	Link Chain, CRES/Passivate, with Reverse Link
F	Wire Rope, Nylon Jacket with Terminal
G	Nylon Rope, with Terminal
H	SST Wire Rope, Fluoropolymer Jacket
N	Attachment Omitted
R	Wire Rope, Fluoropolymer Jacket, with Terminal
S	#8 Sash Chain, CRES/Passivate
U	SST Wire Rope, Polyurethane Jacket

Table I: Size Code and Dimensions

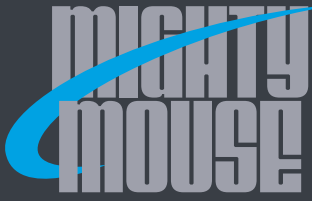
Size Code	Shell Size Reference		A Thread Class -2B	Ø B Max
	800/801 803/804	805		
05	5	N/A	1/4-32 UNEF	.470 (11.94)
06	6	N/A	5/16-32 UNEF	.530 (13.46)
11	N/A	8	3/8-32 UNEF	.570 (14.48)
07	7	9	7/16-28 UNEF	.637 (16.18)
08	8	10	1/2-28 UNEF	.700 (17.78)
09	9	11	9/16-24 UNEF	.758 (19.25)
10	10	12	5/8-24 UNEF	.819 (20.80)
12	11/12/13	13	11/16-24 UNEF	.896 (22.76)
13	N/A	15	3/4-20 UNEF	.930 (23.62)
14	14/15/16/17	18/19	15/16-20 UNEF	1.137 (28.88)
16	19	21	1 1/16-18 UNEF	1.230 (31.24)
17	21	23	1 3/16-18 UNEF	1.387 (35.23)

Table III: Attachment Ring Diameter

Symbol	E Dia.	Symbol	E Dia.
A	.140	D	.191
B	.167	E	.125
C	.182	F	.218



ACCESSORIES, BACKSHELLS, AND TOOLS



SERIES 80 MIGHTY MOUSE CONNECTORS Accessories, Backshells, and Tools



Series 800 EMI Backshell with Rotatable Coupling Nut; Straight, 45° and 90°

380MS137



380-137 backshells feature rotatable coupling nut for improved cable routing management. EMI ring for easy termination of cable shield and 360° EMI protection while saddle clamps remove strain and stress from contact wire termination.

How To Order	
Sample Part Number	380MS137 M 07 04 -6 N
Series (See Table I)	380MS137 = Straight Entry, 380MB137 = 45° Entry 380MA137 = 90° Entry
Shell Material and Finish	UCR = Aluminum / Zinc Cobalt with Black ZNU = Aluminum / Zinc Nickel with Black over Electroless Nickel M = Aluminum / Electroless Nickel NF = Aluminum / Cadmium with Olive Drab ZN = Aluminum / Zinc-Nickel with Olive Drab Chromate MT = Aluminum / Nickel-PTFE Z1 = Stainless Steel / Passivated
Size Code (See Table V)	05, 06, 11, 07, 08, 09, 10, 12, 13, 14, 16, 17
Cable Entry Code (See Table II)	01, 02, 03, 04, 05, 06, 07, 08, 09, 10, 11, 12, 13
Length (See Table III)	For Straight Entry Only. Use Standard lengths listed in Table III for Best Availability Specify length in .125 (3.18) inch increments (e.g. 6 = .75 in)
Clamp Style (See Table IV)	Omit = Clamp with Saddle Bars N = Compression Nut, Low Profile

Cable Entry Code	Saddle Clamp Dia. Fully Closed	Cable Entry Code	Saddle Clamp Dia. Fully Closed
01-	.11 (2.79)	08-	.55 (13.97)
02-	.17 (4.32)	09-	.61 (15.49)
03-	.23 (5.84)	10-	.67 (17.02)
04-	.30 (7.62)	11-	.73 (18.54)
05-	.36 (9.14)	12-	.86 (21.84)
06-	.42 (10.67)	13-	.99 (25.15)
07-	.48 (12.19)		

NOTES

1. Minimum length is .63 Inches. Applies to straight entry only.
2. Use shrink sleeve or bushing to build cable to dia. shown under saddle bars.
3. Materials
 - Adapter, Clamp, Nut, and Saddles: Aluminum Alloy 6061-T6 or 300 Series Stainless Steel
 - Hardware: 300 Series Stainless Steel

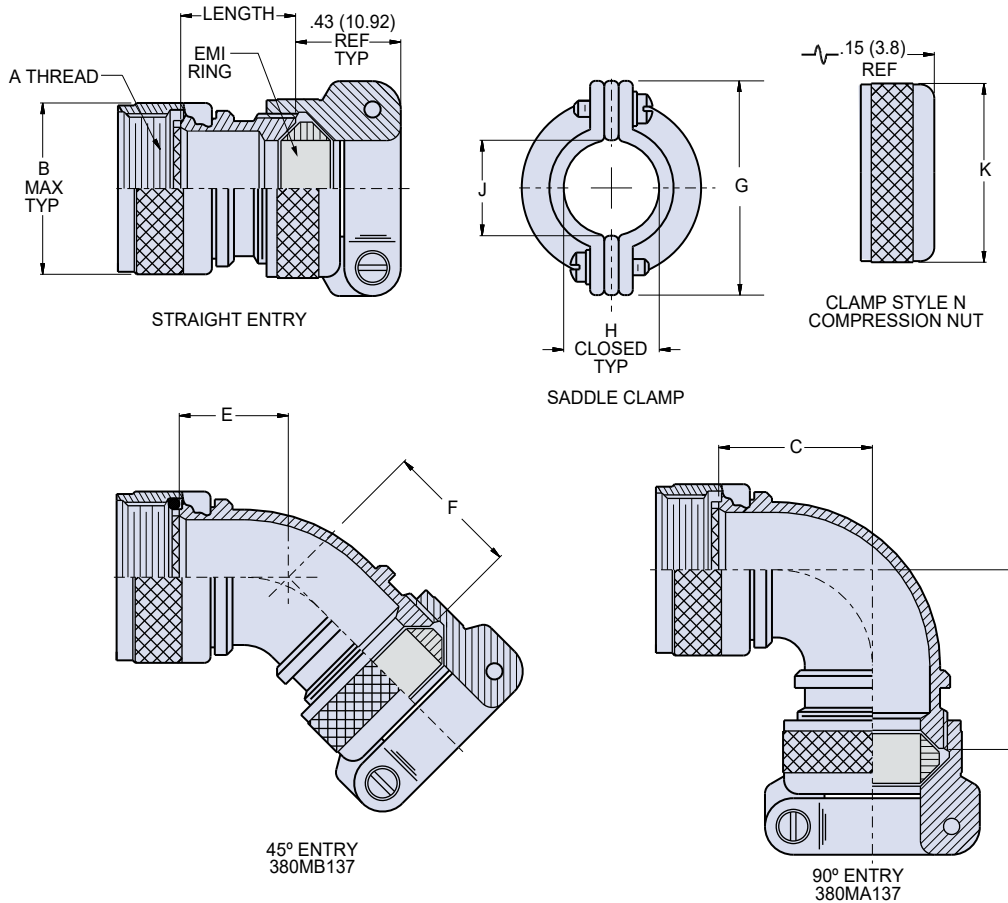
380MS137 Straight Rotatable Coupling	380MB137 Symbol B, 45° Rotatable Coupling	380MA137 Symbol A, 90° Rotatable Coupling



SERIES 80 MIGHTY MOUSE CONNECTORS Accessories, Backshells, and Tools

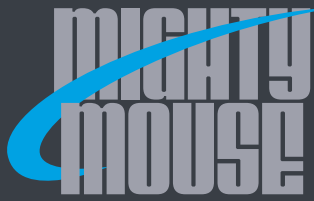


Series 800 EMI Backshell with Rotatable Coupling Nut; Straight, 45° and 90°



ACCESSORIES, BACKSHELLS, AND TOOLS

Dimensions								
Cable Entry Code	C Max.	D Max.	E Max.	F Max.	G Dim	H ± .030 Closed	J ±.030	K Dia
01	.724 (18.39)	.702 (17.83)	.603 (15.32)	.581 (14.76)	.496 (12.60)	.11 (2.79)	.119 (3.02)	.398 (10.11)
02	.724 (18.39)	.702 (17.83)	.603 (15.32)	.581 (14.76)	.582 (14.78)	.17 (4.32)	.182 (4.62)	.460 (11.68)
03	.724 (18.39)	.702 (17.83)	.603 (15.32)	.581 (14.76)	.656 (16.66)	.23 (5.84)	.244 (6.20)	.523 (13.28)
04	.786 (19.96)	.764 (19.41)	.629 (15.98)	.607 (15.42)	.726 (18.44)	.30 (7.62)	.307 (7.80)	.585 (14.86)
05	.786 (19.96)	.764 (19.41)	.629 (15.98)	.607 (15.42)	.885 (22.48)	.36 (9.14)	.369 (9.37)	.647 (16.43)
06	.848 (21.54)	.826 (20.98)	.655 (16.64)	.633 (16.08)	.952 (24.18)	.42 (10.67)	.432 (10.97)	.710 (18.03)
07	.848 (21.54)	.826 (20.98)	.655 (16.64)	.633 (16.08)	1.018 (25.86)	.48 (12.19)	.494 (12.55)	.773 (19.63)
08	.911 (23.14)	.889 (22.58)	.707 (17.96)	.685 (17.40)	1.084 (27.53)	.55 (13.97)	.557 (14.15)	.835 (21.21)
09	.911 (23.14)	.889 (22.58)	.707 (17.96)	.685 (17.40)	1.148 (29.16)	.61 (15.49)	.619 (15.72)	.897 (22.78)
10	.973 (24.71)	.951 (24.16)	.733 (18.62)	.711 (18.06)	1.211 (30.76)	.67 (17.02)	.682 (17.32)	.959 (24.36)
11	.973 (24.71)	.951 (24.16)	.733 (18.62)	.711 (18.06)	1.273 (32.33)	.73 (18.54)	.744 (18.90)	1.021 (25.93)
12	1.036 (26.31)	1.014 (25.76)	.785 (19.94)	.763 (19.38)	1.400 (35.56)	.86 (21.84)	.869 (22.07)	1.083 (27.51)
13	1.098 (27.89)	1.076 (27.33)	.811 (20.60)	.789 (20.04)	1.539 (39.09)	.99 (25.15)	1.010 (25.65)	1.145 (29.08)



SERIES 80 MIGHTY MOUSE CONNECTORS Accessories, Backshells, and Tools

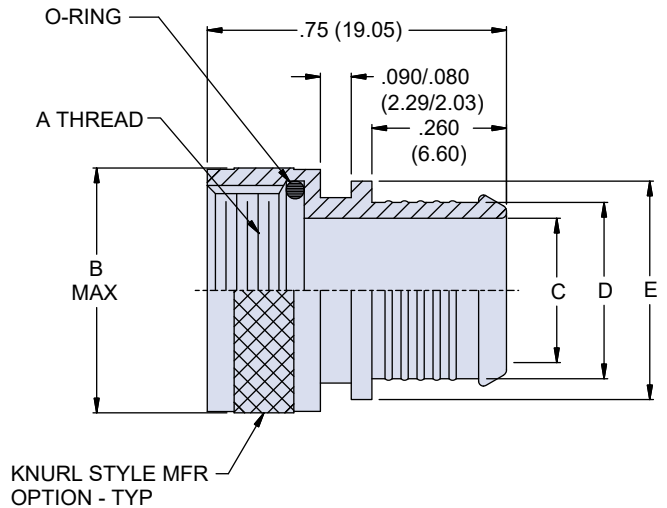


Series 802 Aqua Mouse Banding Adapter



809-141

These adapters are for use with Band-Master™ ATS micro bands to provide shield termination of cable shield for EMI/RFI protection. Choose the smallest cable entry available for your wire bundle size.



How To Order					
Sample Part Number	809-141	NF	07	04	B
Series	809-141				
Shell Material and Finish	See material and finish table				
Shell Size (See Table I)	05, 06, 07, 08, 09, 10, 12, 14, 15				
Dash No. (See Table II)	01, 02, 03, 04, 05, 06, 07, 08, 09, 10, 11, 12, 13, 14, 15, 16, 17				
Band Option	B = 601-060 Flat Band Supplied K = 601-061 Pre-Coiled Band Supplied Omit for No Band Supplied				

Table I: Dash Number Reference			
Shell Size	A Thread Class -2B	B Max	Dash No. Available ²
05	1/4-32 UNEF	0.375	01-03
06	5/16-32 UNEF	0.438	01-04
07	7/16-28 UNEF	0.562	02-06
08	1/2-28 UNEF	0.625	03-07
09	9/16-24 UNEF	0.682	05-08
10	5/8-24 UNEF	0.745	06-09
12	11/16-24 UNEF	0.807	07-10
14	7/8-20 UNEF	0.985	08-12
15	15/16-20 UNEF	1.047	10-14

Material and Finish	
Code	Descriptions
UCR	Aluminum / Zinc Cobalt with Black
ZNU	Aluminum / Zinc Nickel with Black over Electroless Nickel
M	Aluminum / Electroless Nickel
NF	Aluminum / Cadmium with Olive Drab
ZN	Aluminum / Zinc-Nickel with Olive Drab Chromate
MT	Aluminum / Nickel-PTFE
Z1	Stainless Steel / Passivated

Table II: Dimensions						
Dash No.	C Dia		D Dia		E Dia	
	in	mm	in	mm	in	mm
01	0.094	2.39	0.133	3.38	0.235	5.97
02	0.125	3.18	0.164	4.17	0.266	6.76
03	0.172	4.37	0.211	5.36	0.313	7.95
04	0.234	5.94	0.273	6.93	0.375	9.53
05	0.272	6.91	0.311	7.90	0.413	10.49
06	0.312	7.92	0.351	8.92	0.453	11.51
07	0.375	9.53	0.414	10.52	0.516	13.11
08	0.438	11.13	0.477	12.12	0.579	14.71
09	0.500	12.70	0.539	13.69	0.641	16.28
10	0.562	14.27	0.601	15.27	0.703	17.86
11	0.625	15.88	0.664	16.87	0.766	19.46
12	0.688	17.48	0.727	18.47	0.829	21.06
13	0.750	19.05	0.789	20.04	0.891	22.63
14	0.812	20.62	0.851	21.62	0.953	24.21
15	0.875	22.23	0.914	23.22	1.016	25.81
16	0.938	23.83	0.977	24.82	1.079	27.41
17	01.00	25.40	1.036	26.31	1.141	28.98

NOTES

- Glenair 600 Series backshell assembly tools are recommended for assembly and installation.
- Consult factory for availability of additional entries.
- Material/Finish:
 - Adapter: see Table III
 - O-Ring: Viton/90 shore
 - Band: stainless steel/passivate



SERIES 80 MIGHTY MOUSE CONNECTORS Accessories, Backshells, and Tools



Series 800, 801, 803, 804 and 805 Direct Coupling, Shield Termination Adapter



440MS134

**Band-Master™ ATS
Microband
601-061**



Add a boot or overmold for environmental protection (shown without boot)

These adapters are for use with **Band-Master™ ATS Micro Band** shield termination straps. Choose the smallest cable entry for your wire bundle.

**Band-Master™ ATS
Micro Band Tool
601-101**



NOTES

- Materials
 - Adapter: Aluminum Alloy or SST
 - Band: SST
 - O-Ring: Silicone Elastomer

How To Order					
Sample Part Number	440MS134	NF	07	04	B
Series	440MS134 = Straight Entry				
Shell Material and Finish	See Table I				
Size Code	05, 06, 11, 07, 08, 09, 10, 12, 13, 14, 17; See Table II				
Cable Entry Size	01, 02, 03, 04, 05, 06, 07, 08, 09, 10, 11, 12, 13, 14; See Table III				
Band Option	B = 601-060 flat band supplied K = 601-061 pre-coiled band supplied Omit = no band supplied				

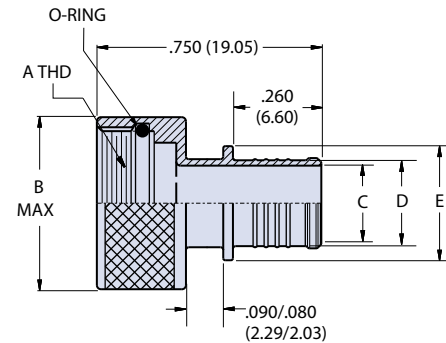
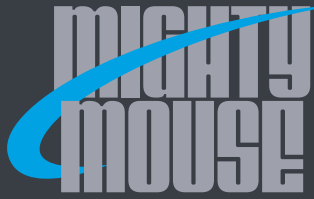


Table I: Material and Finish			
Sym	Description	Sym	Description
M	Aluminum / Electroless Nickel	ZNU	Aluminum / Zinc-Nickel / Black Over Electroless Nickel
NF	Aluminum / Cadmium with Olive Drab	MT	Aluminum / Nickel-PTFE
ZN	Aluminum / Zinc-Nickel with Olive Drab Chromate	Z1	Stainless Steel / Passivated

Table II: Size Code Dimensions and Reference					
Adapter Size Code	Shell Size Reference		A Threads	B Max.	Use with Cable Entry Size Codes
	800, 801, 803, 804	805			
05	5	N/A	.2500-32 UNEF-2B	.350 (8.89)	01 thru 03
06	6	N/A	.3125-32 UNEF-2B	.415 (10.54)	01 thru 04
11	N/A	8	.375-32 UNEF-2B	.465 (11.81)	01 thru 04
07	7	9	.4375-28 UNEF-2B	.530 (13.46)	02 thru 06
08	8	10	.5000-28 UNEF-2B	.595 (15.11)	03 thru 07
09	9	11	.5625-24 UNEF-2B	.650 (16.51)	05 thru 08
10	10	12	.6250-24 UNEF-2B	.715 (18.16)	06 thru 09
12	11, 12, 13	13	.6875-24 UNEF-2B	.785 (19.94)	07 thru 10
13	N/A	15	.750-20 UNEF-2B	.830 (21.08)	07 thru 10
14	14, 15, 16, 17	18, 19	.9375-20 UNEF-2B	1.020 (25.91)	10 thru 15
16	19	21	1.0625-18 UNEF-2B	1.155 (29.34)	10 thru 16
17	21	23	1.1875-18 UNEF-2B	1.280 (32.51)	10 thru 17

Table III: Banding Platform and Cable Entry Dimensions			
Cable Entry Code	Ø C ± .015 (± 0.38)	Ø D ± .015 (± 0.38)	Ø E ± .015 (± 0.38)
01	.094 (2.39)	.133 (3.38)	.235 (5.97)
02	.125 (3.18)	.164 (4.17)	.266 (6.76)
03	.172 (4.37)	.211 (5.36)	.313 (7.95)
04	.234 (5.94)	.273 (6.93)	.375 (9.52)
05	.272 (6.91)	.311 (7.90)	.413 (10.49)
06	.312 (7.92)	.351 (8.92)	.453 (11.51)
07	.375 (9.52)	.414 (10.52)	.516 (13.11)
08	.438 (11.13)	.477 (12.12)	.579 (14.71)
09	.500 (12.70)	.539 (13.69)	.641 (16.28)
10	.562 (14.27)	.601 (15.27)	.703 (17.86)
11	.625 (15.88)	.664 (16.87)	.766 (19.46)
12	.688 (17.48)	.727 (18.47)	.829 (21.06)
13	.750 (19.05)	.789 (20.04)	.891 (22.63)
14	.812 (20.62)	.851 (21.62)	.953 (24.21)
15	.875 (22.23)	.914 (23.22)	1.016 (25.81)
16	.938 (23.83)	.977 (24.82)	1.079 (27.41)
17	1.000 (25.40)	1.039 (26.39)	1.141 (28.98)

ACCESSORIES, BACKSHELLS, AND TOOLS



SERIES 80 MIGHTY MOUSE CONNECTORS Accessories, Backshells, and Tools



Series 800, 801, 802, 804 and 805 Rotatable Coupling, Shield Termination, Shrink Boot Adapter



440MS135

These thread-on adapters are used with **Band-Master™ ATS Micro Band** shield termination straps. Choose the smallest cable entry for your wire bundle. **Straight Entry** adapters are available in various lengths. **Straight, 45°, and 90°** adapters feature rotatable coupling nuts.

**Band-Master™ ATS Band
Microband 601-061**



**Band-Master™ ATS
Micro Band Tool
601-101**



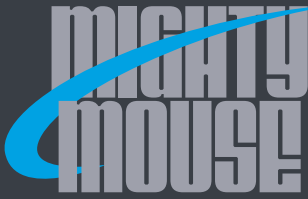
**Add a boot or overmold
for environmental protection
(Shown without boot)**

How To Order	
Sample Part Number	440MS135 M 07 05 -7 K
Series (See Table I)	440MS135 = Straight Entry 440MK135 = 45° Entry 440ML135 = 90° Entry
Shell Material and Finish	UCR = Aluminum / Zinc Cobalt Black M = Aluminum / Electroless Nickel NF = Aluminum / Cadmium with Olive Drab ZN = Aluminum / Zinc-Nickel with Olive Drab Chromate ZNU = Aluminum / Zinc-Nickel with Black Chromate MT = Aluminum / Nickel-PTFE Z1 = Stainless Steel / Passivated
Size Code (See Table II)	05, 06, 11, 07, 08, 09, 10, 12, 13, 14, 16, 17
Cable Entry Size (See Table III)	02, 03, 04, 05, 06, 07, 08, 09, 10, 11, 12, 13, 14
Length	Applies to symbol "S", straight only Length in 1/8 (3.18mm) inch increments (i.e. 7 = .875 inches)
Band Option	K = Pre-coiled Band Supplied (600-057-1) B = Band Supplied (600-057) Omit for no band supplied
Lace-Tie Option	T = Lace-Tie Omit for no lace-tie option

Table I: Cover Style		
440MS135 Straight Entry	440MK135 45° Entry	440ML135 90° Entry

NOTES

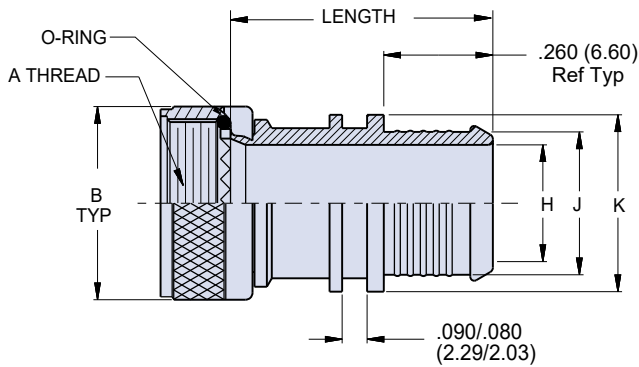
- Standard Minimum Length is .75. Applies to symbol "S" straight only.
- Consult factory for larger cable entries dimensions C, D, E, & F may be exceeded.
- Materials
 - Coupling nut, Adapter: aluminum alloy or 300 series SST
 - Band: 300 series SST
 - O-ring: silicone elastomer



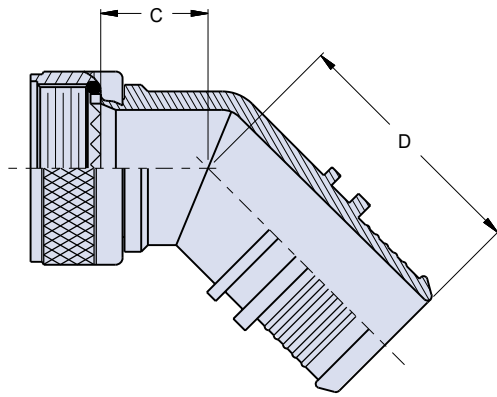
SERIES 80 MIGHTY MOUSE CONNECTORS Accessories, Backshells, and Tools



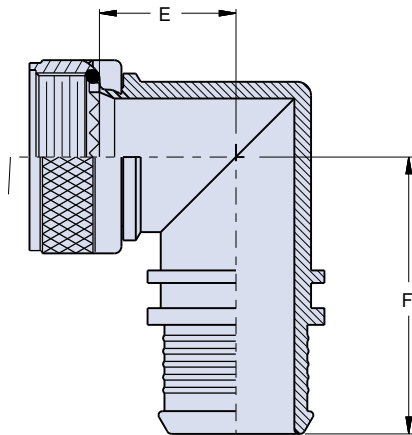
Series 800, 801, 802, 804 and 805 Rotatable Coupling, Shield Termination, Shrink Boot Adapter



STRAIGHT ENTRY
ROTATABLE COUPLING
440MS135



45° ENTRY
ROTATABLE COUPLING
440MK135



90° ENTRY
ROTATABLE COUPLING
440ML135

Table II: Dimensions

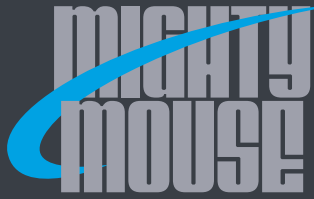
Size Code	A Threads	Shell Size		Max Cable Entry Code ²
		Series 800, 801, 803, 804	Series 805	
05	.2500-32 UNEF-2B	5	N/A	03
06	.3125-32 UNEF-2B	6	N/A	04
11	.375-32 UNEF-2B	N/A	8	04
07	.4375-28 UNEF-2B	7	9	06
08	.5000-28 UNEF-2B	8	10	07
09	.5625-24 UNEF-2B	9	11	08
10	.6250-24 UNEF-2B	10	12	09
12	.6875-24 UNEF-2B	11, 12, 13	13	10
13	.750-20 UNEF-2B	N/A	15	10
14	.9375-20 UNEF-2B	14, 15, 16, 17	18, 19	14
16	1.0625-18 UNEF-2B	19	21	15
17	1.1875-18 UNEF-2B	21	23	16

Table II: Dimensions (continued)

Size Code	B Max.	C Max.	D Max.	E Max.	F Max.
05	.470 (11.94)	.530 (13.46)	.660 (16.76)	.630 (16.00)	.780 (19.81)
06	.530 (13.46)	.550 (13.97)	.670 (17.02)	.660 (16.76)	.790 (20.07)
11	.570 (14.48)	.560 (14.22)	.680 (17.27)	.680 (17.27)	.810 (20.57)
07	.637 (16.18)	.570 (14.48)	.690 (17.53)	.700 (17.78)	.830 (21.08)
08	.700 (17.78)	.580 (14.73)	.700 (17.78)	.740 (18.80)	.860 (21.84)
09	.758 (19.25)	.590 (14.99)	.710 (18.03)	.770 (19.56)	.890 (22.61)
10	.819 (20.80)	.610 (15.49)	.730 (18.54)	.800 (20.32)	.920 (23.37)
12	.896 (22.76)	.640 (16.26)	.750 (19.05)	.840 (21.34)	.970 (24.64)
13	.930 (23.62)	.660 (16.76)	.770 (19.56)	.890 (22.61)	1.020 (25.91)
14	1.137 (28.88)	.690 (17.53)	.800 (20.32)	.950 (24.13)	1.090 (27.69)
16	1.230 (31.24)	.710 (18.03)	.820 (20.83)	.980 (24.89)	1.130 (28.70)
17	1.387 (35.23)	.720 (18.29)	.830 (21.08)	1.010 (25.65)	1.160 (29.46)

Table III: Cable Entry Dimensions

Cable Entry Code	Ø H ± .015 (± 0.38)	Ø J ± .015 (± 0.38)	Ø K ± .015 (± 0.38)
02	.125 (3.18)	.164 (4.17)	.266 (6.76)
03	.188 (4.78)	.227 (5.77)	.329 (8.36)
04	.250 (6.35)	.289 (7.34)	.391 (9.93)
05	.312 (7.92)	.351 (8.92)	.453 (11.51)
06	.375 (9.52)	.414 (10.52)	.516 (13.11)
07	.438 (11.13)	.477 (12.12)	.579 (14.71)
08	.500 (12.70)	.539 (13.69)	.641 (16.28)
09	.562 (14.27)	.601 (15.27)	.703 (17.86)
10	.625 (15.88)	.664 (16.87)	.766 (19.46)
11	.688 (17.48)	.727 (18.47)	.829 (21.06)
12	.750 (19.05)	.789 (20.04)	.891 (22.63)
13	.812 (20.62)	.851 (21.62)	.953 (24.21)
14	.875 (22.23)	.914 (23.22)	1.016 (25.81)
15	.938 (23.83)	.977 (24.82)	1.079 (27.41)
16	1.00 (25.40)	1.039 (26.39)	1.141 (28.98)



SERIES 80 MIGHTY MOUSE CONNECTORS Accessories, Backshells, and Tools



Series 800, 801, 803, 804, and 805 Direct Coupling, Non-Environmental Saddle Clamp



620MS064

Non-environmental clamps provide strain relief for open wire bundles. Add tubing or tape to build up smaller diameter wires to fit the clamps.

Direct coupling clamps provide a low profile solution where space is a concern and are available for Series 800, 801, 803, 804, and 805 Mighty Mouse connectors.

NOTES

1. Material and finish
 - Coupling Nut, Clamp, and Saddles: Aluminum Alloy 6061-T6 or 300 Series SST
 - Hardware: 300 Series Stainless Steel

How To Order	
Sample Part Number	620MS064 M 07
Series (See Table I)	620MS064 = Straight Direct Coupling
Shell Material and Finish	See Table I
Size Code	05, 06, 11, 07, 08, 09, 10, 12, 13, 14, 15, 16, 17; see Table II

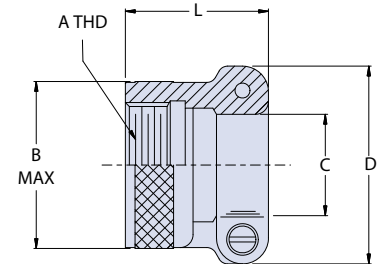


Table I: Material and Finish	
Symbol	Description
C	Aluminum / Black Anodize (Non-Conductive) RoHS Compliant
M	Aluminum / Electroless Nickel
NF	Aluminum / Cadmium with Olive Drab
UCR	Aluminum / Zinc Cobalt / Black
ZN	Aluminum / Zinc-Nickel with Olive Drab Chromate
ZNU	Aluminum / Zinc-Nickel / Black Over Electroless Nickel
MT	Aluminum / Nickel-PTFE
Z1	Stainless Steel / Passivated

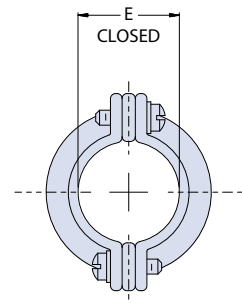


Table II: Size Code and Dimensions								
Size Code	Shell Size Ref		A Thread Class -2B	B Max.	C Dia.	D Dia.	E Dia. Closed	L Max
	Series 800, 801, 803, 804	Series 805						
05	5	N/A	.2500-32 UNEF	.350 (8.89)	.119 (3.02)	.496 (12.60)	.11 (2.79)	.625 (15.88)
06	6	N/A	.3125-32 UNEF	.415 (10.54)	.182 (4.62)	.582 (14.78)	.17 (4.32)	.625 (15.88)
11	N/A	8	.375-32 UNEF	.465 (11.81)	.182 (4.62)	.582 (14.78)	.17 (4.32)	.625 (15.88)
07	7	9	.4375-28 UNEF	.530 (13.46)	.244 (6.20)	.656 (16.66)	.23 (5.84)	.688 (17.48)
08	8	10	.5000-28 UNEF	.595 (15.11)	.307 (7.80)	.726 (18.44)	.30 (7.62)	.688 (17.48)
09	9	11	.5625-24 UNEF	.650 (16.51)	.307 (7.80)	.726 (18.44)	.30 (7.62)	.750 (19.05)
10	10	12	.6250-24 UNEF	.715 (18.16)	.369 (9.37)	.885 (22.48)	.36 (9.14)	.875 (22.23)
12	11/12/13	13	.6875-24 UNEF	.785 (19.94)	.432 (10.97)	.952 (24.18)	.42 (10.67)	.875 (22.23)
13	N/A	15	.750-20 UNEF	.830 (21.08)	.432 (10.97)	.952 (24.18)	.42 (10.67)	.875 (22.23)
14	14/15/16/17	18/19	.9375-20 UNEF	1.020 (25.91)	.494 (12.55)	1.018 (25.86)	.48 (12.19)	1.000 (25.40)
15	14/15/16/17	18/19	.9375-20 UNEF	1.020 (25.91)	.619 (15.72)	1.148 (29.16)	.61 (15.49)	1.000 (25.40)
16	19	21	1.0625-18 UNEF	1.155 (29.34)	.744 (18.90)	1.273 (32.33)	.73 (18.54)	1.000 (25.40)
17	21	23	1.1875-18 UNEF	1.280 (32.51)	.869 (22.07)	1.400 (35.56)	.86 (21.84)	1.125 (28.58)



SERIES 80 MIGHTY MOUSE CONNECTORS Accessories, Backshells, and Tools



Series 800, 801, 803, 804, and 805 Direct Coupling, Environmental Saddle Clamp Backshell



370MS037

Straight entry, direct coupling environmental backshell features silicone O-rings for a watertight seal. Thread-on saddle bar clamp for strain relief of wire bundles or compression nut for environmental sealing of jacketed cables.

Table IV: Cover Style	
Omit Thread-On Clamp with Saddle Bars	N Compression Nut

How To Order						
Sample Part Number	370MS037	C	10	05	-6	N
Series	370MS037 = Straight Adptr					
Shell Material and Finish	See Table I					
Size Code	05, 06, 11, 07, 08, 09, 10, 12, 13, 14, 16, 17; See Table II					
Cable Entry Code	01, 02, 03, 04, 05, 06, 07, 08, 09, 10, 11, 12, 13;					
Length	Specify length in 1/8 inch increments (e.g. 6 = .75 inches). See Table I for standard length.					
Clamp Style	Omit = screw clamp with saddle bars N = Compression Nut, Low Profile					

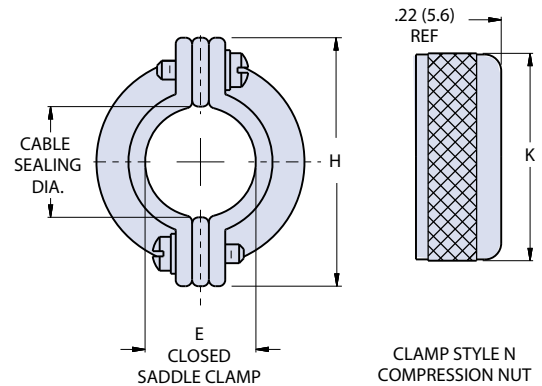
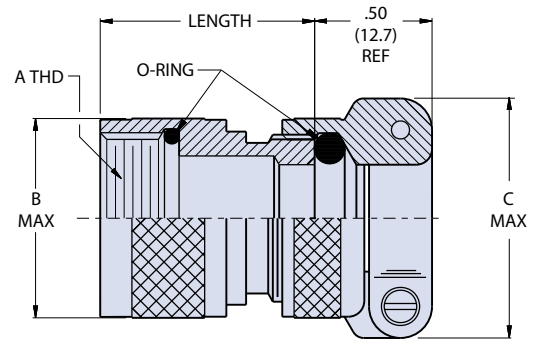
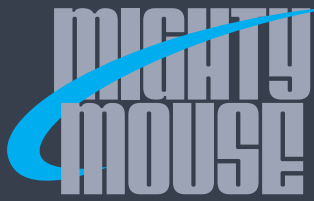


Table I: Material and Finish	
Sym	Description
M	Aluminum / Electroless Nickel
NF	Aluminum / Cadmium with Olive Drab
ZN	Aluminum / Zinc-Nickel with Olive Drab Chromate
ZNU	Aluminum / Zinc-Nickel with Black Chromate
MT	Aluminum / Nickel-PTFE
Z1	Stainless Steel / Passivated

Table II: Coupling Size Codes and Dimensions					
Size Code	Shell Size Ref		A Thread Class -2B	B Max.	Std Length
	800/801 803/804	805			
05	5	N/A	1/4 - 32 UNEF	.470 (11.94)	.75 (19.05)
06	6	N/A	5/16 - 32 UNEF	.530 (13.46)	.75 (19.05)
11	N/A	8	3/8 - 32 UNEF	.570 (14.48)	.75 (19.05)
07	7	9	7/16 - 28 UNEF	.637 (16.18)	.75 (19.05)
08	8	10	1/2 - 28 UNEF	.700 (17.78)	.75 (19.05)
09	9	11	9/16 - 24 UNEF	.758 (19.25)	.75 (19.05)
10	10	12	5/8 - 24 UNEF	.819 (20.80)	.75 (19.05)
12	11 thru 13	13	11/16 - 24 UNEF	.896 (22.76)	.88 (22.35)
13	N/A	15	3/4 - 20 UNEF	.930 (23.62)	.88 (22.35)
14	14 thru 17	18/19	15/16 - 20 UNEF	1.137 (28.88)	1.00 (25.40)
16	19	21	1 1/16 - 18 UNEF	1.230 (31.24)	1.00 (25.40)
17	21	23	1 3/16 - 18 UNEF	1.280 (32.51)	1.13 (28.70)

Table III: Cable Entry Codes and Dimensions					
Dash No	Cable Sealing Dia		C Dim	D Dia	E Dia Closed
	Max	Min			
01	.109 (2.77)	.031 (0.79)	.496 (12.60)	.398 (10.11)	.11 (2.79)
02	.172 (4.37)	.078 (1.98)	.582 (14.78)	.460 (11.68)	.17 (4.32)
03	.234 (5.94)	.140 (3.56)	.656 (16.66)	.523 (13.28)	.23 (5.84)
04	.297 (7.54)	.203 (5.16)	.726 (18.44)	.585 (14.86)	.30 (7.62)
05	.359 (9.12)	.265 (6.73)	.885 (22.48)	.647 (16.43)	.36 (9.14)
06	.422 (10.72)	.328 (8.33)	.952 (24.18)	.710 (18.03)	.42 (10.67)
07	.484 (12.29)	.390 (9.91)	1.018 (25.86)	.773 (19.63)	.48 (12.19)
08	.547 (13.89)	.453 (11.51)	1.084 (27.53)	.835 (21.21)	.55 (13.97)
09	.609 (15.47)	.515 (13.08)	1.148 (29.16)	.897 (22.78)	.61 (15.49)
10	.672 (17.07)	.578 (14.68)	1.211 (30.76)	.959 (24.36)	.67 (17.02)
11	.734 (18.64)	.640 (16.26)	1.273 (32.33)	1.021 (25.93)	.73 (18.54)
12	.859 (21.82)	.765 (19.43)	1.400 (35.56)	1.083 (27.51)	.86 (21.84)
13	1.000 (25.40)	.906 (23.01)	1.539 (39.09)	1.145 (29.08)	.99 (25.15)

ACCESSORIES, BACKSHELLS, AND TOOLS



SERIES 80 MIGHTY MOUSE CONNECTORS Accessories, Backshells, and Tools



Series 800, 801, 803, 804, and 805 Rotatable Coupling, Non-Environmental Saddle Clamp



620MS065

Non-environmental saddle clamp backshells provide strain relief for open wire bundles. Add tubing or tape to build up smaller diameter wires to fit the clamps.

Rotatable coupling clamps offer greater flexibility and routing options and are available for Series 800, 801, 803, 804, and 805 Mighty Mouse connectors

NOTES

1. Material and finish
 - Coupling Nut, Clamp, and Saddles: Aluminum Alloy or SST passivate
 - Hardware: Stainless Steel

How To Order			
Sample Part Number	620MS065	M	07
Series (See Table I)	620MS065 = Straight Rotatable Coupling 620MB065 = 45° Rotatable Coupling 620MA065 = 90° Rotatable Coupling		
Shell Material and Finish	See Table I		
Size Code	05, 06, 11, 07, 08, 09, 10, 12, 13, 14, 15, 16, 17 ; see table II		

Table I: Material and Finish	
Sym	Description
C	Aluminum / Black Anodize (Non-Conductive) RoHS Compliant
M	Aluminum / Electroless Nickel
NF	Aluminum / Cadmium over Olive Drab
UCR	Aluminum / Zinc Cobalt / Black
ZN	Aluminum / Zinc-Nickel with Olive Drab Chromate
ZNU	Aluminum / Zinc-Nickel / Black Over Electroless Nickel
MT	Aluminum / Nickel-PTFE
Z1	Stainless Steel / Passivated

Table II: Size Codes												
Size Code	Shell Size Ref		A Thread Size Class-2B	B Max	C Max	D Max	E Max	F Max	G Dim	H Closed	J Dim	L Max
	800, 801 803, 804	805										
05	5	N/A	.2500-32 UNEF	.470 (11.94)	.603 (15.32)	.551 (14.00)	.806 (20.47)	.511 (12.98)	.496 (12.60)	.119 (3.02)	.119 (3.02)	.688 (17.48)
06	6	N/A	.3125-32 UNEF	.530 (13.46)	.675 (17.15)	.582 (14.78)	.850 (21.59)	.542 (13.77)	.582 (14.78)	.182 (4.62)	.182 (4.62)	.688 (17.48)
11	N/A	8	.3750-32 UNEF	.570 (14.48)	.675 (17.15)	.602 (15.29)	.850 (21.59)	.562 (14.27)	.582 (14.78)	.182 (4.62)	.182 (4.62)	.688 (17.48)
07	7	9	.4375-28 UNEF	.637 (16.18)	.675 (17.15)	.632 (16.05)	.850 (21.59)	.592 (15.04)	.656 (16.66)	.244 (6.20)	.244 (6.20)	.688 (17.48)
08	8	10	.5000-28 UNEF	.700 (17.78)	.743 (18.87)	.662 (16.81)	.887 (22.53)	.622 (15.80)	.726 (18.44)	.307 (7.80)	.307 (7.80)	.688 (17.48)
09	9	11	.5625-24 UNEF	.758 (19.25)	.743 (18.87)	.691 (17.55)	.887 (22.53)	.651 (16.54)	.726 (18.44)	.307 (7.80)	.307 (7.80)	.750 (19.05)
10	10	12	.6250-24 UNEF	.819 (20.80)	.805 (20.45)	.846 (21.49)	1.018 (25.86)	.770 (19.56)	.885 (22.48)	.369 (9.37)	.369 (9.37)	.750 (19.05)
12	11/12/13	13	.6875-24 UNEF	.896 (22.76)	.868 (22.05)	.881 (22.38)	1.061 (26.95)	.805 (20.45)	.952 (24.18)	.432 (10.97)	.432 (10.97)	.750 (19.05)
13	N/A	15	.7500-20 UNEF	.930 (23.62)	.868 (22.05)	.921 (23.39)	1.091 (27.71)	.855 (21.72)	.952 (24.18)	.432 (10.97)	.432 (10.97)	.750 (19.05)
14	14/15/16/17	18/19	.9375-20 UNEF	1.137 (28.88)	.993 (25.22)	.998 (25.35)	1.146 (29.11)	.922 (23.42)	1.018 (25.86)	.494 (12.55)	.494 (12.55)	.750 (19.05)
15	14/15/16/17	18/19	.9375-20 UNEF	1.137 (28.88)	1.055 (26.80)	1.060 (26.92)	1.208 (30.68)	.984 (24.99)	1.148 (29.16)	.619 (15.72)	.619 (15.72)	.750 (19.05)
16	19	21	1.0625-18 UNEF	1.230 (31.24)	1.243 (31.57)	1.090 (27.69)	1.325 (33.65)	.950 (24.13)	1.273 (32.33)	.744 (18.90)	.744 (18.90)	.750 (19.05)
17	21	23	1.1875-18 UNEF	1.387 (35.23)	1.312 (33.32)	1.151 (29.24)	1.495 (37.97)	1.042 (26.47)	1.400 (35.56)	.869 (22.07)	.869 (22.07)	.750 (19.05)

ACCESSORIES, BACKSHELLS, AND TOOLS

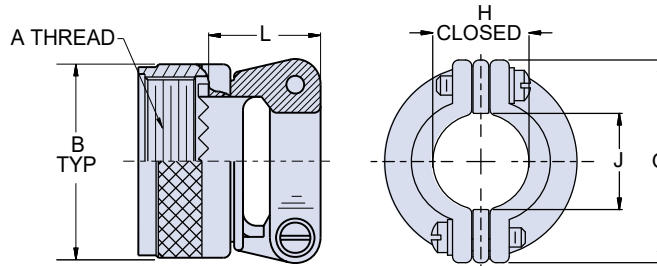


SERIES 80 MIGHTY MOUSE CONNECTORS Accessories, Backshells, and Tools



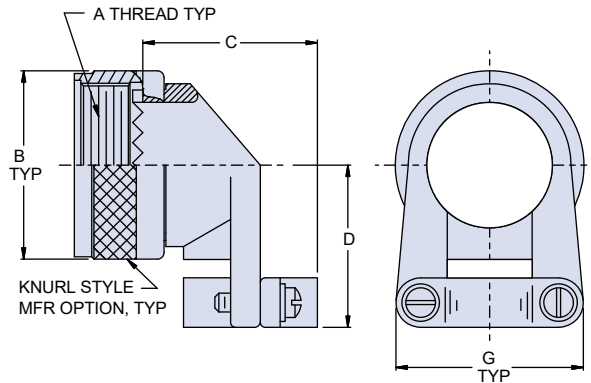
Series 800, 801, 803, 804 and 805 Rotatable Coupling, Non-Environmental Saddle Clamp

STRAIGHT ROTATABLE COUPLING CLAMP



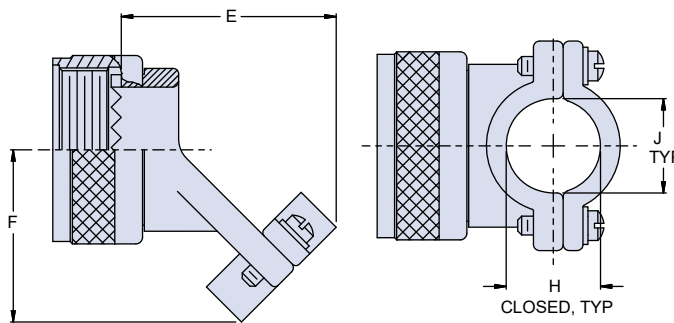
SYMBOL S: STRAIGHT
ROTATABLE COUPLING
620MS065

90° ROTATABLE COUPLING CLAMP



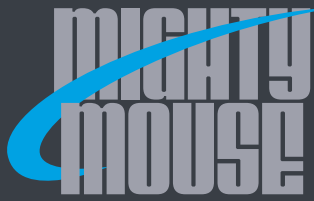
ROTATABLE COUPLING SYMBOL A: 90°
620MA065

45° ROTATABLE COUPLING CLAMP



ROTATABLE COUPLING SYMBOL B: 45°
620MB065

ACCESSORIES, BACKSHELLS, AND TOOLS



SERIES 80 MIGHTY MOUSE CONNECTORS Accessories, Backshells, and Tools



Series 800, 801, 803, 804, and 805 Rotatable Coupling, Environmental Saddle Clamp Backshell



Rotatable coupling environmental backshell features silicone o-rings for a watertight seal. Thread-on saddle bar clamp for strain relief of wire bundles or compression nut for sealing of jacketed cables. Backshell is available in straight, 45° and 90° angles and features a rotatable coupling for greater control over cable routing.

How To Order	
Sample Part Number	370MS038 C 10 05- 6 N
Backshell Profile (See Table III)	370MS038 = Straight Entry 370MB038 = 45° Entry 370MA038 = 90° Entry
Shell Material and Finish	M = Aluminum / Electroless Nickel NF = Aluminum / Cadmium with Olive Drab ZN = Aluminum / Zinc-Nickel with Olive Drab Chromate ZNU = Aluminum / Zinc-Nickel with Black Chromate MT = Aluminum / Nickel-PTFE Z1 = Stainless Steel / Passivated
Size Code	05, 06, 11, 07, 08, 09, 10, 12, 13, 14, 16, 17 ; (See Table I)
Cable Entry Code	01, 02, 03, 04, 05, 06, 07, 08, 09, 10, 11, 12, 13 ; (See Table II)
Length	Applies Symbol S, Straight only. Specify length in 1/8 inch increments (e.g. 6 = .75 inches). See Table I for standard lengths.
Clamp Style	Omit = screw clamp with saddle bars N = Compression Nut, Low Profile; (Table IV)

Size Code	Shell Size Ref		A Thread Class -2B	B Max.	Std Length
	800/801 803/804	805			
05	5	N/A	1/4 - 32 UNEF	.470 (11.94)	.75 (19.05)
06	6	N/A	5/16 - 32 UNEF	.530 (13.46)	.75 (19.05)
11	N/A	8	3/8 - 32 UNEF	.570 (14.48)	.75 (19.05)
07	7	9	7/16 - 28 UNEF	.637 (16.18)	.75 (19.05)
08	8	10	1/2 - 28 UNEF	.700 (17.78)	.75 (19.05)
09	9	11	9/16 - 24 UNEF	.758 (19.25)	.75 (19.05)
10	10	12	5/8 - 24 UNEF	.819 (20.80)	.75 (19.05)
12	11, 12, 13	13	11/16 - 24 UNEF	.896 (22.76)	.88 (22.35)
13	N/A	15	3/4 - 20 UNEF	.930 (23.62)	.88 (22.35)
14	14, 15, 16, 17	18/19	15/16 - 20 UNEF	1.137 (28.88)	1.00 (25.40)
16	19	21	1 1/16 - 18 UNEF	1.230 (31.24)	1.00 (25.40)
17	21	23	1 3/16 - 18 UNEF	1.387 (35.23)	1.13 (28.70)

370MS038 Symbol S Straight Entry	370MB038 Symbol B 45° Entry	370MA038 Symbol A 90° Entry

N Compression Nut	Omit Thread-On Clamp with Saddle Bar

NOTES

1. Minimum length is .63 Inches. See Table I for standard length.
2. Use shrink Sleeve or bushing to build cable to dia shown under saddle bars.
3. Material and Finish
 - Adapter, Clamp, Nut and Saddles: Aluminum Alloy SST
 - O-Rings: Silicone / N.A.
 - Hardware: CRES / passivated



SERIES 80 MIGHTY MOUSE CONNECTORS Accessories, Backshells, and Tools



Series 800, 801, 803, 804, and 805 Rotatable Coupling, Environmental Saddle Clamp Backshell

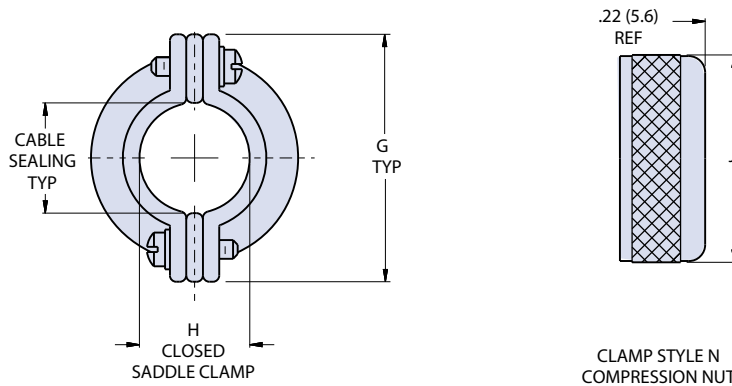
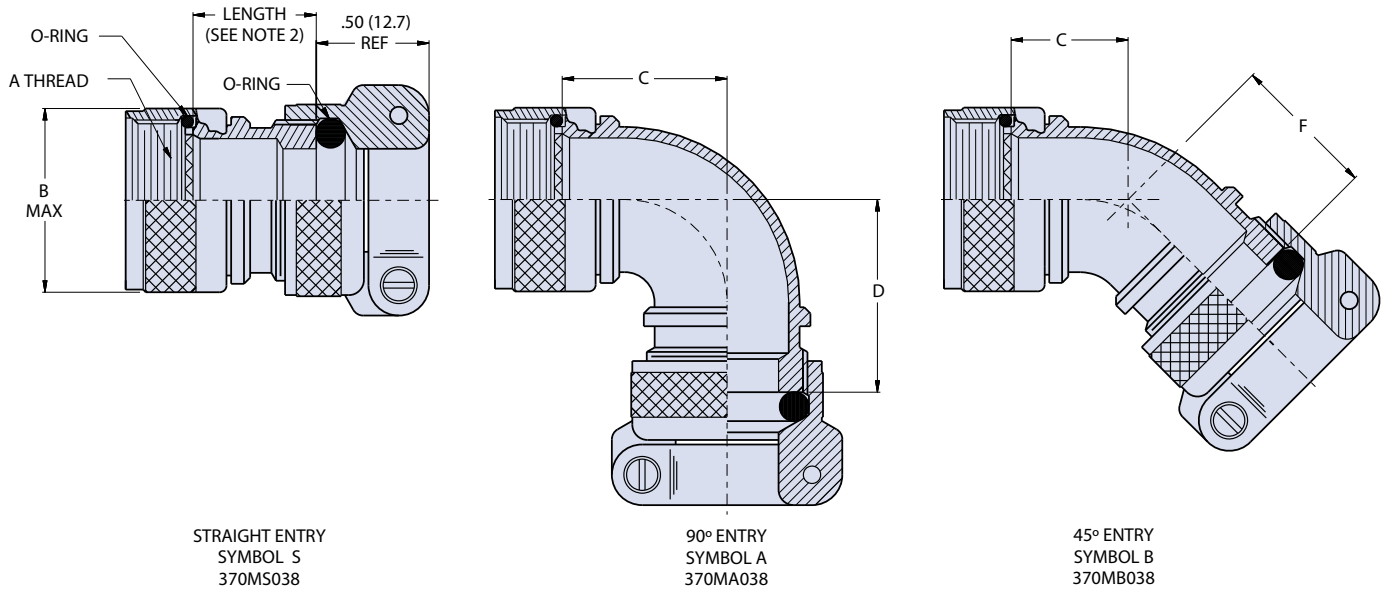
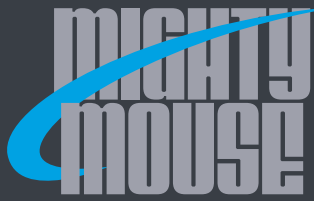


Table II: Straight, 45° and 90° Dimensions

Cable Entry Code	C Max.	D Max.	E Max.	F Max.	Cable Entry Dia.		G DIM	H DIA CLOSED	Ø J DIA.
					Max.	Min.			
01	.724 (18.39)	.702 (17.83)	.603 (15.32)	.581 (14.76)	.109 (2.77)	.031 (0.79)	.496 (12.60)	.11 (2.79)	.398 (10.11)
02	.724 (18.39)	.702 (17.83)	.603 (15.32)	.581 (14.76)	.172 (4.37)	.078 (1.98)	.582 (14.78)	.17 (4.32)	.460 (11.68)
03	.724 (18.39)	.702 (17.83)	.603 (15.32)	.581 (14.76)	.234 (5.94)	.140 (3.56)	.656 (16.66)	.23 (5.84)	.523 (13.28)
04	.786 (19.96)	.764 (19.41)	.629 (15.98)	.607 (15.42)	.297 (7.54)	.203 (5.16)	.726 (18.44)	.30 (7.62)	.585 (14.86)
05	.786 (19.96)	.764 (19.41)	.629 (15.98)	.607 (15.42)	.359 (9.12)	.265 (6.73)	.885 (22.48)	.36 (9.14)	.647 (16.43)
06	.848 (21.54)	.826 (20.98)	.655 (16.64)	.633 (16.08)	.422 (10.72)	.328 (8.33)	.952 (24.18)	.42 (10.67)	.710 (18.03)
07	.848 (21.54)	.826 (20.98)	.655 (16.64)	.633 (16.08)	.484 (12.29)	.390 (9.91)	1.018 (25.86)	.48 (12.19)	.773 (19.63)
08	.911 (23.14)	.889 (22.58)	.707 (17.96)	.685 (17.40)	.547 (13.89)	.453 (11.51)	1.084 (27.53)	.55 (13.97)	.835 (21.21)
09	.911 (23.14)	.889 (22.58)	.707 (17.96)	.685 (17.40)	.609 (15.47)	.515 (13.08)	1.148 (29.16)	.61 (15.49)	.897 (22.78)
10	.973 (24.71)	.951 (24.16)	.733 (18.62)	.711 (18.06)	.672 (17.07)	.578 (14.68)	1.211 (30.76)	.67 (17.02)	.959 (24.36)
11	.973 (24.71)	.951 (24.16)	.733 (18.62)	.711 (18.06)	.734 (18.64)	.640 (16.26)	1.273 (32.33)	.73 (18.54)	1.021 (25.93)
12	1.036 (26.31)	1.014 (25.76)	.785 (19.94)	.763 (19.38)	.859 (21.82)	.765 (19.43)	1.400 (35.56)	.86 (21.84)	1.083 (27.51)
13	1.098 (27.89)	1.076 (27.33)	.811 (20.60)	.789 (20.04)	1.00 (25.40)	.906 (23.01)	1.539 (39.09)	.99 (25.15)	1.145 (29.08)

ACCESSORIES, BACKSHELLS, AND TOOLS



SERIES 80 MIGHTY MOUSE CONNECTORS Accessories, Backshells, and Tools



Series 800, 801, 803, 804 and 805 Direct Coupling, Saddle Clamp with EMI Ring, Non-Environmental



380MS135

Straight EMI adapter with direct coupling cable clamp or compression nut for Series 800, 801, 803, 804, and 805 connectors. Adapters feature an EMI ring for easy termination of cable shield.

How To Order						
Sample Part Number	380MS135	NF	07	04	-6	N
Series (See Table I)	380MS135 = Straight Entry					
Shell Material and Finish	See Material and Finish Table					
Size Code (See Table I)	05, 06, 11, 07, 08, 09, 10, 12, 13, 14, 16, 17					
Cable Entry Code (See Table II)	01, 02, 03, 04, 05, 06, 07, 08, 09, 10, 11, 12, 13					
Length	Specify length in 1/8" inch increments (e.g. 6 = .75 in) See Table I for standard length					
Clamp Style (See Table III)	Omit = Clamp with Saddle Bars N = Compression Nut, Low Profile					

Table III: Clamp Style	
Omit Clamp with Saddle Bars	N Compression Nut,

Material and Finish			
Code	Description	Code	Description
UCR	Aluminum / Zinc Cobalt with Black	ZN	Aluminum / Zinc-Nickel with Olive Drab Chromate
ZNU	Aluminum / Zinc Nickel with Black over Electroless Nickel		MT
M	Aluminum / Electroless Nickel	Z1	Stainless Steel / Passivated
NF	Aluminum / Cadmium with Olive Drab		

NOTES

- Minimum length is .63 Inches.
- Use shrink sleeve or bushing to build cable to dia. shown under saddle bars
- Materials
 - Adapter, Clamp, Nut and Saddles: Aluminum or Stainless Steel
 - Hardware: CRES/passivated

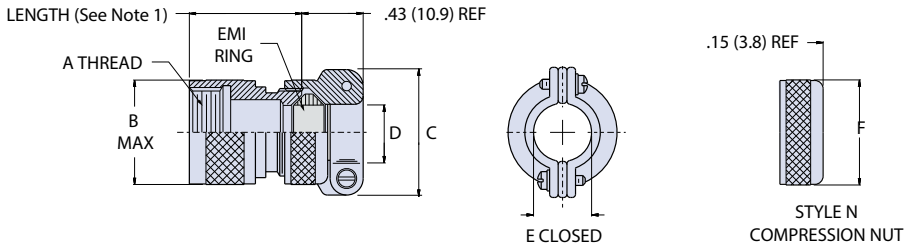


Table I: Size Code and Connector Dimensions					
Size Code	Shell Size Ref.		A Thd. Class-2B	B Max.	Std Length
	800/801 803/804	805		In.	
05	5	N/A	1/4-32 UNEF	.350 (8.89)	.63 (16.00)
06	6	N/A	5/16-32 UNEF	.415 (10.54)	.63 (16.00)
11	N/A	8	3/8-32 UNEF	.465 (11.81)	.63 (16.00)
07	7	9	7/16-28 UNEF	.530 (13.46)	.75 (19.05)
08	8	10	1/2-28 UNEF	.595 (15.11)	.75 (19.05)
09	9	11	9/16-24 UNEF	.650 (16.51)	.75 (19.05)
10	10	12	5/8-24 UNEF	.715 (18.16)	.75 (19.05)
12	11/12/13	13	11/16-24 UNEF	.785 (19.94)	.88 (22.35)
13	N/A	15	3/4-20 UNEF	.830 (21.08)	.88 (22.35)
14	14/15/16/17	18/19	15/16-20 UNEF	1.020 (25.91)	1.00 (25.40)
16	19	21	1 1/16-18 UNEF	1.155 (29.34)	1.00 (25.40)
17	21	23	1 3/16-18 UNEF	1.280 (32.51)	1.13 (28.70)

Table II: Saddle Clamp and Compression Nut Dimensions				
Dash No	C Dim	D Dia	E Dia Closed	F dia
01	.496 (12.60)	.119 (3.02)	.11 (2.79)	.398 (10.11)
02	.582 (14.78)	.182 (4.62)	.17 (4.32)	.460 (11.68)
03	.656 (16.66)	.244 (6.20)	.23 (5.84)	.523 (13.28)
04	.726 (18.44)	.307 (7.80)	.30 (7.62)	.585 (14.86)
05	.885 (22.48)	.369 (9.37)	.36 (9.14)	.647 (16.43)
06	.952 (24.18)	.432 (10.97)	.42 (10.67)	.710 (18.03)
07	1.018 (25.86)	.494 (12.55)	.48 (12.19)	.773 (19.63)
08	1.084 (27.53)	.557 (14.15)	.55 (13.97)	.832 (21.13)
09	1.148 (29.16)	.619 (15.72)	.61 (15.49)	.897 (22.78)
10	1.211 (30.76)	.682 (17.32)	.67 (17.02)	.959 (24.36)
11	1.273 (32.33)	.744 (18.90)	.73 (18.54)	1.021 (25.93)
12	1.400 (35.56)	.869 (22.07)	.86 (21.84)	1.083 (27.51)
13	1.539 (39.09)	1.010 (25.65)	.99 (25.15)	1.145 (29.08)



SERIES 80 MIGHTY MOUSE CONNECTORS Accessories, Backshells, and Tools



Series 800, 801, 803, 804, 805 Rotatable Coupling with EMI Ring, Non-Environmental



380MS141

NOTES

- Material/Finish
 - Adapter, coupling nut, rear nut: aluminum alloy/per part number development
 - Saddle: stainless steel/per part number development
 - Hardware: stainless steel/passivated

The Series 80 Mighty Mouse, non-environmental backshell features a rotatable coupling nut and utilizes an EMI ring for easy shield termination. Secondary shell and integral clamp threads on over EMI ring and compresses ring to secure cable shield while providing robust cable strain-relief and protecting cable shield termination. Clamp design minimizes protrusions and reduces snagging hazards. For use with Series 800, 801, 803, 804, and 805 connectors

How To Order					
Sample Part Number	380MS141	M	08	06	-4
Series	380MS141 = Straight Entry				
Shell Material and Finish	See Table II				
Size Code (See Table II)	05, 06, 11, 07, 08, 09, 10, 12, 13, 14, 16, 17				
Cable Entry Code (Table III)	02, 25, 03, 35, 04, 05, 06, 07, 08, 09, 10, 11, 12, 13, 14, 15, 16				
Length	Specify length in 1/8 inch increments (e.g. 6 = .75 inches). Minimum length .50 inches				

Table I: Material/Finish	
Sym	Description
UCR	Aluminum / Zinc-Cobalt Black
M	Aluminum / Electroless Nickel
NF	Aluminum / Cadmium with Olive Drab
ZN	Aluminum / Zinc-Nickel with Olive Drab Chromate
ZNU	Aluminum / Zinc-Nickel with Black Chromate
MT	Aluminum / Nickel-PTFE
Z1	Stainless Steel / Passivated

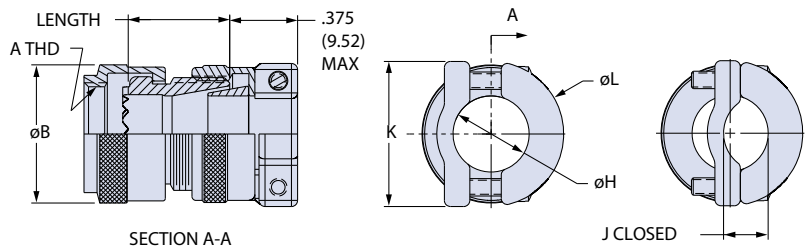
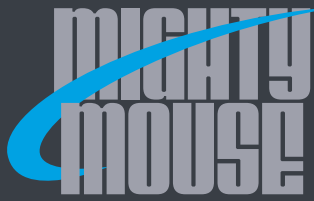


Table II: Size Code								
Size Code	Shell Size					A Thread UNEF-2B	ø B Max	Max Entry
	800	801	803	804	805			
05	5	5	5	5	-	.2500-32	0.470 (11.94)	25
06	6	6	6	6	-	.3125-32	0.530 (13.46)	35
11	-	-	-	-	8	.3750-32	0.570 (14.48)	4
07	7	7	7	7	9	.4375-28	0.637 (16.18)	5
08	8	8	8	8	10	.5000-28	0.700 (17.78)	6
09	9	9	9	9	11	.5625-24	0.758 (19.25)	7
10	10	10	10	10	12	.6250-24	0.819 (20.80)	8
12	12	13	12	12	-	.6875-24	0.896 (22.76)	9
13	-	-	-	-	15	.7500-20	0.930 (23.62)	10
14	-	16,17	14,15	14,15	18,19	.9375-20	1.137 (28.88)	13
16	-	19	-	-	21	1.0625-18	1.250 (31.75)	14
17	-	21	-	-	23	1.1875-18	1.397 (35.48)	16

Table III: Cable Entry Code					
Entry Code	ø H	J Closed	K	ø L Max	M Max
02	.125 (3.18)	.075 (1.90)	.470 (11.94)	.470 (11.94)	.375 (9.52)
25	.156 (3.96)	.094 (2.39)	.470 (11.94)	.470 (11.94)	.375 (9.52)
03	.188 (4.78)	.113 (2.87)	.530 (13.46)	.530 (13.46)	.375 (9.52)
35	.219 (5.56)	.131 (3.33)	.530 (13.46)	.530 (13.46)	.375 (9.52)
04	.250 (6.35)	.150 (3.81)	.590 (14.99)	.590 (14.99)	.375 (9.52)
05	.313 (7.95)	.188 (4.78)	.655 (16.64)	.655 (16.64)	.375 (9.52)
06	.375 (9.52)	.225 (5.72)	.715 (18.16)	.715 (18.16)	.375 (9.52)
07	.438 (11.13)	.263 (6.68)	.780 (19.81)	.780 (19.81)	.375 (9.52)
08	.500 (12.70)	.300 (7.62)	.840 (21.34)	.840 (21.34)	.375 (9.52)
09	.563 (14.30)	.375 (9.52)	.995 (25.27)	.995 (25.27)	.375 (9.52)
10	.625 (15.88)	.417 (10.59)	1.055 (26.80)	1.055 (26.80)	.445 (11.30)
11	.688 (17.48)	.459 (11.66)	1.120 (28.45)	1.120 (28.45)	.445 (11.30)
12	.750 (19.05)	.500 (12.70)	1.180 (29.97)	1.180 (29.97)	.445 (11.30)
13	.813 (20.65)	.542 (13.77)	1.245 (31.62)	1.245 (31.62)	.445 (11.30)
14	.875 (22.23)	.583 (14.81)	1.305 (33.15)	1.305 (33.15)	.445 (11.30)
15	.938 (23.83)	.625 (15.88)	1.370 (34.80)	1.370 (34.80)	.445 (11.30)
16	1.000 (25.40)	.667 (16.94)	1.430 (36.32)	1.430 (36.32)	.445 (11.30)

ACCESSORIES, BACKSHELLS, AND TOOLS



SERIES 80 MIGHTY MOUSE CONNECTORS Accessories, Backshells, and Tools



Series 800, 801, 803, 804, and 805 Rotatable Coupling, Non-Environmental, Shield Termination



447MS981

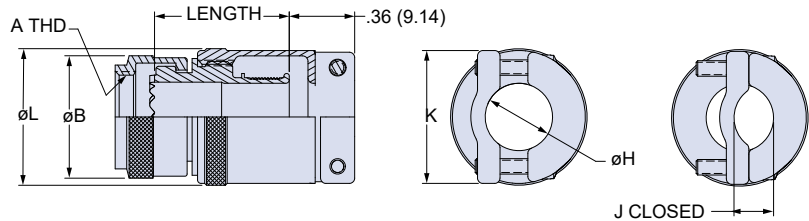
Series 80 Mighty Mouse, Band-In-A-Can backshell utilizes a secondary adapter that covers the banding area, along with providing options for strain relief. This backshell combines the efficiency and convenience of band style shield termination with a protective backshell which protects the shield termination area from damage due to rough handling and provides for robust cable strain-relief. Recommended for use in severe application environments where banding is the preferred shield termination technology. For Series 800, 801, 803, 804, and 805 Mighty Mouse connectors

How To Order						
Sample Part Number	447MS981	M	08	06	-6	K
Series	447MS981 = Straight Entry					
Shell Material and Finish	See Table I					
Size Code (See Table II)	05, 06, 11, 07, 08, 09, 10, 12, 13, 14, 16, 17					
Cable Entry Code (See Table III)	02, 25, 03, 35, 04, 05, 06, 07, 08, 09, 10, 11, 12, 13, 14, 15, 16					
Length	Specify length in 1/8 inch increments (e.g. 12 = 1.50 inches). Minimum Length = .75					
Band Option	B = 1/8" Wide Straight Band K = 1/8" Wide Precoiled Band Omit = No Band Supplied					

NOTES

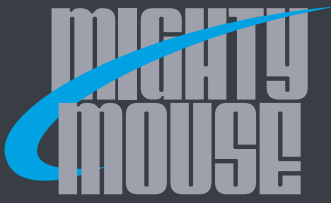
- Material/Finish
 - Adapter, coupling nut, rear nut: aluminum alloy/per part number development
 - Saddle: stainless steel/per part number development
 - Hardware: stainless steel/passivated

Sym	Description
UCR	Aluminum / Zinc-Cobalt Black
M	Aluminum / Electroless Nickel
NF	Aluminum / Cadmium with Olive Drab
ZN	Aluminum / Zinc-Nickel with Olive Drab Chromate
ZNU	Aluminum / Zinc-Nickel with Black Chromate
MT	Aluminum / Nickel-PTFE
Z1	Stainless Steel / Passivated



Size Code	800	801	803	804	805	A Thread UNEF - 2B	Ø B Max		Max Entry
							In.	mm.	
05	5	5	5	5	-	.2500-32	0.470	11.94	25
06	6	6	6	6	-	.3125-32	0.530	13.46	35
11	-	-	-	-	8	.3750-32	0.570	14.48	04
07	7	7	7	7	9	.4375-28	0.637	16.18	05
08	8	8	8	8	10	.5000-28	0.700	17.78	06
09	9	9	9	9	11	.5625-24	0.758	19.25	07
10	10	10	10	10	12	.6250-24	0.819	20.80	08
12	12	13	12	12	-	.6875-24	0.896	22.76	09
13	-	-	-	-	15	.7500-20	0.930	23.62	10
14	-	16,17	14,15	14,15	18,19	.9375-20	1.137	28.88	13
16	-	19	-	-	21	1.0625-18	1.250	31.75	14
17	-	21	-	-	23	1.1875-18	1.387	35.48	16

Entry Code	Ø H		J Closed		K		Ø L Max	
	in.	mm.	in.	mm.	in.	mm.	in.	mm.
02	.125	3.18	.075	1.91	.490	12.45	.520	13.21
25	.156	3.96	.094	2.39	.520	13.21	.550	13.97
03	.188	4.78	.113	2.87	.550	13.97	.580	14.73
35	.219	5.56	.131	3.33	.580	14.73	.610	15.49
04	.250	6.35	.150	3.81	.615	15.62	.645	16.38
05	.313	7.95	.188	4.78	.680	17.27	.710	18.03
06	.375	9.53	.225	5.72	.740	18.80	.770	19.56
07	.438	11.13	.263	6.68	.800	20.32	.830	21.08
08	.500	12.70	.300	7.62	.865	21.97	.895	22.73
09	.563	14.30	.375	9.19	.990	24.26	1.030	25.24
10	.625	15.88	.417	10.22	1.050	25.73	1.090	26.71
11	.688	17.48	.459	11.25	1.115	27.32	1.155	28.30
12	.750	19.05	.500	12.25	1.175	28.79	1.215	29.77
13	.813	20.65	.542	13.28	1.240	30.38	1.280	31.36
14	.875	22.23	.583	14.28	1.300	31.85	1.340	32.83
15	.938	23.83	.625	15.31	1.365	33.44	1.405	34.42
16	1.000	25.40	.667	16.34	1.425	34.91	1.465	35.89



SERIES 80 MIGHTY MOUSE CONNECTORS Accessories, Backshells, and Tools



Series 800, 801, 803, 804 and 805 Direct Coupling, with EMI Ring, Environmental



390MS076

Direct coupling environmental backshell feature an EMI ring for easy cable shield termination. Coupling nut and compression nut O-rings for watertight seals or thread-on saddle bar option for strain-relief support of wire bundles.

How To Order						
Sample Part Number	390MS076	NF	07	04	-6	N
Series	390MS076 = Straight Entry, Direct Coupling					
Material / Finish (See Table I)	See Table I					
Shell Size Code (See Table II)	05, 06, 11, 07, 08, 09, 10, 12, 13, 14, 16, 17					
Cable Entry Code (See Table III)	01, 02, 03, 04, 05, 06, 07, 08, 09, 10, 11, 12, 13					
Length	Specify length in increments of .125; e.g. 6 =.75 in					
Clamp Style (See Table IV)	Omit = Screw Clamp with Saddle Bars N = Compression Nut, Low Profile					

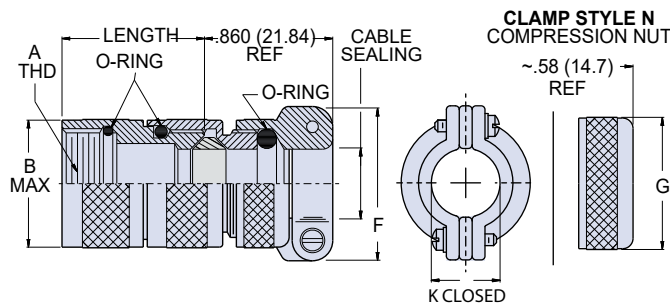


Table I: Material and Finish	
Code	Descriptions
M	Aluminum / Electroless Nickel
NF	Aluminum / Cadmium with Olive Drab
ZN	Aluminum / Zinc-Nickel with Olive Drab Chromate
ZNU	Aluminum / Zinc Nickel with Black over Electroless Nickel
Z1	Stainless Steel / Passivated
ZM	Stainless Steel / Electroless Nickel

Table II: Cover Style	
Omit Thread-on Saddle Bars	N Compression Nut

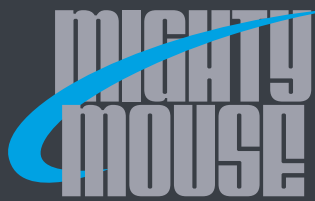
NOTES

- Minimum length is .63 inches. See Table I for standard length
- Use shrink sleeve or bushing to build cable to dia shown
- Material and Finish
 - Adapter, clamp, nut and saddles: al alloy or SST
 - O-rings: silicone rubber
 - Hardware: SST

Table I: Coupling Nut Dimensions					
Shell Size Code	Shell Size Ref		A Thread Class -2B	B Max	Standard Length
	800/801 803/804	805			
05	5	N/A	1/4-32 UNEF	.350 (8.89)	.75 (19.05)
06	6	N/A	5/16-32 UNEF	.415 (10.54)	.75 (19.05)
11	N/A	8	3/8-32 UNEF	.465 (11.81)	.75 (19.05)
07	7	9	7/16-28 UNEF	.530 (13.46)	.75 (19.05)
08	8	10	1/2-28 UNEF	.595 (15.11)	.75 (19.05)
09	9	11	9/16-24 UNEF	.650 (16.51)	.75 (19.05)
10	10	12	5/8-24 UNEF	.715 (18.16)	.75 (19.05)
12	11/12/13	13	11/16-24 UNEF	.785 (19.94)	.88 (22.35)
13	N/A	15	3/4-20 UNEF	.830 (21.08)	.88 (22.35)
14	14 thru 17	18/19	15/16-20 UNEF	1.020 (25.91)	1.00 (25.40)
16	19	21	1 1/16-18 UNEF	1.155 (29.34)	1.00 (25.40)
17	21	23	1 3/16-18 UNEF	1.280 (32.51)	1.13 (28.70)

Table II: Cable Entry Code and Compression Nut Dimensions					
Dash No	Cable Entry Code		F Dim	G Dia	K Dia Closed
	Max	Min			
01	.109 (2.77)	.031 (0.79)	.496 (12.60)	.398 (10.11)	.11 (2.79)
02	.172 (4.37)	.078 (1.98)	.582 (14.78)	.460 (11.68)	.17 (4.32)
03	.234 (5.94)	.140 (3.56)	.656 (16.66)	.523 (13.28)	.23 (5.84)
04	.297 (7.54)	.203 (5.16)	.726 (18.44)	.585 (14.86)	.30 (7.62)
05	.359 (9.12)	.265 (6.73)	.885 (22.48)	.647 (16.43)	.36 (9.14)
06	.422 (10.72)	.328 (8.33)	.952 (24.18)	.710 (18.03)	.42 (10.67)
07	.484 (12.29)	.390 (9.91)	1.018 (25.86)	.773 (19.63)	.48 (12.19)
08	.547 (13.89)	.453 (11.51)	1.084 (27.53)	.835 (21.21)	.55 (13.97)
09	.609 (15.47)	.515 (13.08)	1.148 (29.16)	.897 (22.78)	.61 (15.49)
10	.672 (17.07)	.578 (14.68)	1.211 (30.76)	.959 (24.36)	.67 (17.02)
11	.734 (18.64)	.640 (16.26)	1.273 (32.33)	1.021 (25.93)	.73 (18.54)
12	.859 (21.82)	.765 (19.43)	1.400 (35.56)	1.083 (27.51)	.86 (21.84)
13	1.000 (25.40)	.906 (23.01)	1.539 (39.09)	1.145 (29.08)	.99 (25.15)

ACCESSORIES, BACKSHELLS, AND TOOLS



SERIES 80 MIGHTY MOUSE CONNECTORS Accessories, Backshells, and Tools



Series 800, 801, 803, 804 and 805 Rotatable Coupling, with EMI Ring, Environmental



390MS077

Rotatable coupling environmental backshells feature an EMI ring for easy cable shield termination. Coupling nut and compression nut O-rings for watertight seals or thread-on saddle bar option for strain-relief of wire bundles.

How To Order	
Sample Part Number	390MS077 M 07 04- 6 N
Series (See Table I)	390MS077 = Straight Entry, 390MB077 = 45° Entry 390MA077 = 90° Entry
Shell Material and Finish (See Table II)	See Material and Finish Table
Size Code (See Table II)	05, 06, 11, 07, 08, 09, 10, 12, 13, 14, 16, 17
Cable Entry Code (See Table III)	01, 02, 03, 04, 05, 06, 07, 08, 09, 10, 11, 12, 13
Length	Straight Entry 390MS Only Specify length in increments of .125; e.g. 6 =.75 in
Clamp Style (See Table IV)	Omit = Screw Clamp with Saddle Bars N = Compression Nut, Low Profile

Table II: Material and Finish	
Code	Descriptions
M	Aluminum / Electroless Nickel
MT	Aluminum / Nickel - PTFE
NF	Aluminum / Cadmium with Olive Drab
UCR	Aluminum Zinc Cobalt / Black
ZN	Aluminum / Zinc-Nickel with Olive Drab Chromate
ZNU	Aluminum / Zinc Nickel with Black over Electroless Nickel
Z1	Stainless Steel / Passivate

Table III: Shell Size Code					
Shell Size Code	Shell Size Ref		A Thread Size Class -2B UNEF	B Max	Standard Length
	800/801 803/804	805			
05	5	N/A	.2500-32	.470 (11.94)	.75 (19.05)
06	6	N/A	.3125-32	.530 (13.46)	.75 (19.05)
11	N/A	8	.3750-32	.570 (14.48)	.75 (19.05)
07	7	9	.4375-28	.637 (16.18)	.75 (19.05)
08	8	10	.5000-28	.700 (17.78)	.75 (19.05)
09	9	11	.5625-24	.758 (19.25)	.75 (19.05)
10	10	12	.6250-24	.819 (20.80)	.75 (19.05)
12	11/12/13	13	.6875-24	.896 (22.76)	.88 (22.35)
13	N/A	15	.7500-20	.930 (23.62)	.88 (22.35)
14	14/15/16/17	18/19	.9375-20	1.137 (28.88)	1.00 (25.40)
16	19	21	1.0625-18	1.230 (31.24)	1.00 (25.40)
17	21	23	1.1875-18	1.387 (35.23)	1.13 (28.70)

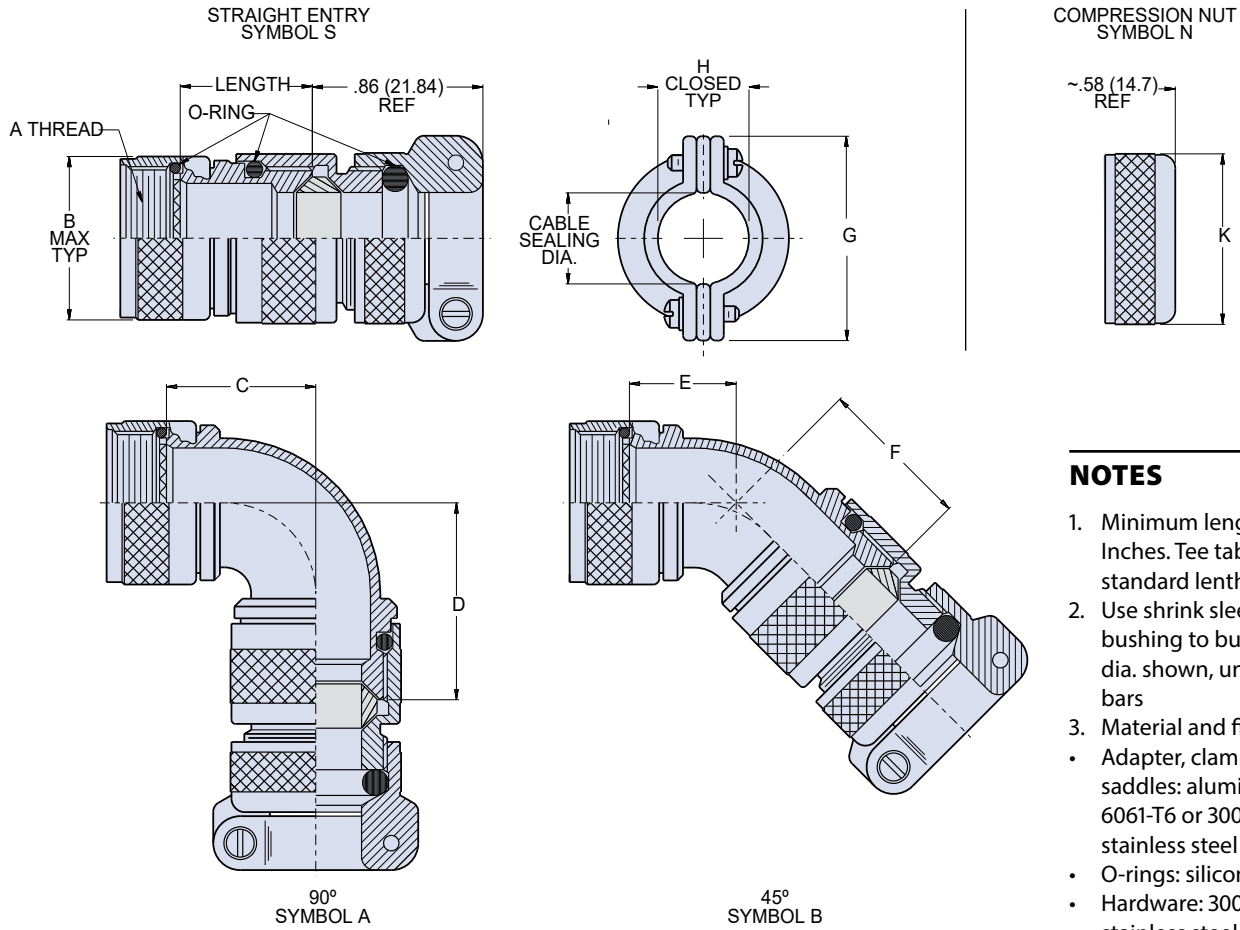
Table I: Cover Style	
N Compression Nut, Low Profile	390MS077 Straight Entry, Rotatable Coupling
390MB077 45° Entry Rotatable Coupling	390MA077 90° Entry Rotatable Coupling



SERIES 80 MIGHTY MOUSE CONNECTORS Accessories, Backshells, and Tools



Series 800, 801, 803, 804 and 805 Rotatable Coupling, Environmental EMI/RFI Backshell

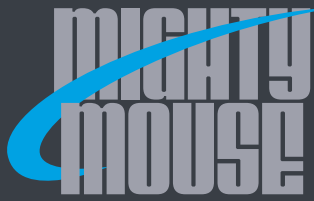


NOTES

1. Minimum length is .63 Inches. See table I for standard length
2. Use shrink sleeve or bushing to build cable to dia. shown, under saddle bars
3. Material and finish
 - Adapter, clamp, nut and saddles: aluminum alloy 6061-T6 or 300 series stainless steel
 - O-rings: silicone rubber
 - Hardware: 300 series stainless steel

Table IV: Cable Entry Code and Compression Nut Dimensions

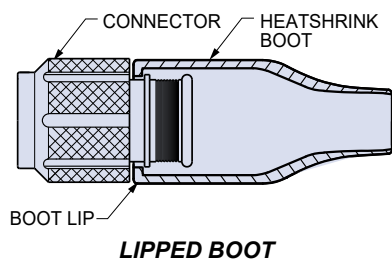
Dash No	C Max	D Max	E Max	F Max	Cable Entry Code		G Dim	H Dia Closed ³	J Dia
					Max	Min			
01	.724 (18.39)	.802 (20.37)	.603 (15.32)	.681 (17.30)	.109 (2.77)	.031 (0.79)	.496 (12.60)	.11 (2.79)	.398 (10.11)
02	.724 (18.39)	.802 (20.37)	.603 (15.32)	.681 (17.30)	.172 (4.37)	.078 (1.98)	.582 (14.78)	.17 (4.32)	.460 (11.68)
03	.724 (18.39)	.802 (20.37)	.603 (15.32)	.681 (17.30)	.234 (5.94)	.140 (3.56)	.656 (16.66)	.23 (5.84)	.523 (13.28)
04	.786 (19.96)	.864 (21.95)	.629 (15.98)	.707 (17.96)	.297 (7.54)	.203 (5.16)	.726 (18.44)	.30 (7.62)	.585 (14.86)
05	.786 (19.96)	.864 (21.95)	.629 (15.98)	.707 (17.96)	.359 (9.12)	.265 (6.73)	.885 (22.48)	.36 (9.14)	.647 (16.43)
06	.848 (21.54)	.926 (23.52)	.655 (16.64)	.733 (18.62)	.422 (10.72)	.328 (8.33)	.952 (24.18)	.42 (10.67)	.710 (18.03)
07	.848 (21.54)	.926 (23.52)	.655 (16.64)	.733 (18.62)	.484 (12.29)	.390 (9.91)	1.018 (25.86)	.48 (12.19)	.773 (19.63)
08	.911 (23.14)	.989 (25.12)	.707 (17.96)	.785 (19.94)	.547 (13.89)	.453 (11.51)	1.084 (27.53)	.55 (13.97)	.835 (21.21)
09	.911 (23.14)	.989 (25.12)	.707 (17.96)	.785 (19.94)	.609 (15.47)	.515 (13.08)	1.148 (29.16)	.61 (15.49)	.897 (22.78)
10	.977 (24.82)	1.055 (26.80)	.733 (18.62)	.811 (20.60)	.672 (17.07)	.578 (14.68)	1.211 (30.76)	.67 (17.02)	.959 (24.36)
11	.977 (24.82)	1.055 (26.80)	.733 (18.62)	.811 (20.60)	.734 (18.64)	.640 (16.26)	1.273 (32.33)	.73 (18.54)	1.021 (25.93)
12	1.036 (26.31)	1.114 (28.30)	.785 (19.94)	.863 (21.92)	.859 (21.82)	.765 (19.43)	1.400 (35.56)	.86 (21.84)	1.083 (27.51)
13	1.098 (27.89)	1.176 (29.87)	.811 (20.60)	.889 (22.58)	1.000 (25.40)	.906 (23.01)	1.539 (39.09)	.99 (25.15)	1.145 (29.08)



SERIES 80 MIGHTY MOUSE CONNECTORS
 Accessories, Backshells, and Tools
 Shrink Boot Materials and Properties



Series 80 Connector Shrink Boots – Straight, Long Tail, 90°, and 45° angle Plus Boots for USB cables



Protect Your Cable Harness with heat-shrinkable boots. These easy-to-use boots provide excellent electrical, mechanical and environmental protection. Heating the boot causes the boot to shrink onto the connector and cable. An adhesive lining bonds the boot to the connector and cable and fills small gaps for a complete seal. Choose straight cable exit or right angle exit. These lipped boots attach directly to Series 80 Mighty Mouse HD connectors with integral band platform. After shrinking, the boot lip locks into groove. Choose Type 1 high performance elastomer for extreme temperatures and excellent resistance to fuels and oils or Type 2 non-halogenated flame-retardant polyolefin for use where limited fire hazard is required.

Material Selection Guide

Attribute	Type 1 High Performance Semi-Rigid Elastomer	Type 2 Zero Halogen Polyolefin	Type 9 Low-Temp Flexible Polyolefin – USB ONLY –
Continuous Operating Temp.	-75° to +165°C	-40° to +130°C	-40° to +100°C
Resistance to Fuels, Oils	Excellent	Very Good	Very Good
Low Toxicity, Zero Halogen	No	Yes	No

Type 1 High performance Elastomer

Semi-rigid high performance boots combine excellent resistance to fuels, oils, and solvents with superior performance at extreme temperatures. Rated for 3000 hours continuous operation at +165° C, these boots fit most standard boot adapters for circular connectors. Material meets the requirements of VG95343 Type 6, BSG 198-5-DE, EN62329-102, and SAE AS5258 Type H. These boots are recommended for demanding applications such as military vehicles and petrochemical exploration. Standard Black color.

Type 2 Zero halogen

Halogen-free polyolefin boots meet low smoke and toxicity requirements of shipboard, transit, and aircraft systems. These Low Smoke/Zero Halogen (LSZH) boots fit most standard shrink boot adapters, including M85049 types along with Glenair Series 31 and Series 44 adapters. Oxygen index greater than 30%, smoke index less than 20, and toxicity index under 3 per 100 grams. Material meets requirements of NAVSEA 5617649, VG95343 Part 29, BSG 198-5-DF, EN62329-101, and SAE AS5258 Type G. Resistance to oils, fuels, and solvents. The boots provide strain relief and environmental protection to connector/cable transitions. Temperature rating -40° C to +130° C. Standard Black color.

Type 9 Low Temp Flexible Polyolefin (Standard for USB)

Lipped Straight USB Shrink Boots are available only in Type 9 Flexible Polyolefin which is designed for a low installation temperature of less than 80°C. Operating temperature range of -40° C to 100° C. Standard Black color.

ACCESSORIES, BACKSHELLS, AND TOOLS



SERIES 80 MIGHTY MOUSE CONNECTORS Accessories, Backshells, and Tools Shrink Boot Materials and Properties



ADHESIVE-LINED BOOT MATERIAL PROPERTIES

Heat-shrink boots are not watertight unless equipped with factory-installed or user-installed adhesives. When heat is applied to the boot, the adhesive melts and fixes the boot to the adapter and cable jacket to provide the necessary sealing as well as mechanical strain-relief. Hot melt thermoplastic polyamide adhesive is compatible with most cable jackets, economical and easy to install.

Shrink Boot Typical Material Properties			
Property	Type 1 High Performance Elastomer	Type 2 Zero Halogen Polyolefin	Type 9* Low Temperature Flexible Polyolefin
Flexibility	Semi-rigid	Semi-flexible	Flexible
Operating Temperature Range	-75°C to +165°C	-40°C to +130°C	-40°C to +100°C
Shrink Temperature (min.)	135°C	135°C	<80°C
Tensile Strength (psi)	1700	1100	1740
Elongation (% min.)	400	250	500
Long Term Heat Aging	3000 hrs, 150°C	3000 hrs, 135°C	168 hrs, 150°C
Heat Shock	4 hrs, 215°C	4 hrs, 215°C	4 hrs, 160°C
Heat Aging	168 hrs, 160°C	168 hrs, 160°C	168 hrs, 160°C
Dielectric Strength (V/mil)	300	380	10 M
Volume Resistivity (ohms-cm)	10 ¹³	10 ¹²	10 ¹²
Water Absorption (%)	0.5	0.5	0.5
Flammability	Burn Time <15 sec Burn Length <25mm	Burn Time <15 sec Burn Length <25mm	Burn Time <120 sec Burn Length <25mm
RoHS Compliant	Yes	Yes	Yes
Oxygen Index (% min.)	N/A	30	N/A
Temperature Index (°C)	N/A	250	N/A
Smoke Index (max.)	N/A	20	N/A
Toxicity Index (max.)	N/A	3	N/A

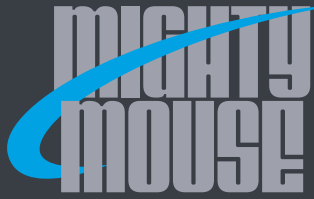
* Note: Type 9 Low-Temp Flexible Polyolefin is the standard material for the USB Shrink Boot.

Shrink Boot Fluid Resistance		
Fluid	Type 1 High Performance Elastomer	Type 2 Zero Halogen Polyolefin
Lubricating Oil	Very good	Good
Hydraulic Fluid	Very Good	Good
Aviation Fuel	Very Good	Good
Gasoline	Very Good	Fair
De-Icing Fluid	Excellent	Very Good
Automotive Diesel	Good	Fair

W1 and W2 Adhesive Properties		
Attribute	W1 Standard High Temperature Hot Melt Adhesive (All Boots Except USB)	W2 Standard Hot Melt Adhesive For USB Type 9 Boots Only
Boot Material Compatibility	Type 1 and 2	Type 9 Only
Continuous Operating Temp.	-65° to +125°C	-40° to +80°C
Resistance to Fuels, Oils & Fluids	Good	Good
Low Toxicity, Zero Halogen	Yes	Yes

Material Color Options for Type 1 High Performance Elastomer Only Add Optional Color Mod Code to End of Any Type 1 Material Part Number					
Mod Code	Color	Similar to (Reference)	Mod Code	Color	Similar to (Reference)
632 B	Blue	PANTONE 3005U	632 R	Red	PANTONE 1797U
632 E	Grey	FED-STD-595; #36270	632 T	Tan	FED-STD-595; #33446
632 G	Green	PANTONE 355U	632 W	White	FED-STD-595; #37875
632 P	Purple	FED-STD-595; #37100	632 Y	Yellow	PANTONE YELLOW U
632 O	Orange	FED-STD-595; #32300	Standard	Black	FED-STD-595; #37038

ACCESSORIES, BACKSHELLS, AND TOOLS



SERIES 80 MIGHTY MOUSE CONNECTORS Accessories, Backshells, and Tools Shrink Boot Types



LIPPED STRAIGHT SHRINK BOOTS-TYPE 1 FLAME RETARDANT ELASTOMER

- 75° C to +165° C
- Excellent resistance to fuels, oils, solvents and heat.

Fully recovered boot shown. As supplied part will vary.



Boot Size	Shell Size			Part Number Pre-Coated with W1 Hi-Temp Hot-Melt Adhesive
	Series 800, 801, 802, 803, 804	Series 805	Series 811	
1	5/6	8	5	809S060-1
2	7	9	6,7	809S060-2
3	8, 9	10, 11	8,9	809S060-3
4	10, 11, 12, 13	12, 15	N/A	809S060-4
5	14, 15, 16, 17	18, 19	N/A	809S060-5
6	19, 21	23	N/A	809S060-6

LIPPED STRAIGHT SHRINK BOOTS- TYPE 2 ZERO HALOGEN

- Low Smoke, Zero Halogen
- Meets U.S. and E.U. toxicity requirements.

Fully recovered boot shown. As supplied part will vary.



Boot Size	Shell Size			Part Number Pre-Coated with W1 Hi-Temp Hot-Melt Adhesive
	Series 800, 801, 802, 803, 804	Series 805	Series 811	
1	5/6	8	5	809S060-1H
2	7	9	6,7	809S060-2H
3	8, 9	10, 11	8,9	809S060-3H
4	10, 11, 12, 13	12, 15	N/A	809S060-4H
5	14, 15, 16, 17	18, 19	N/A	809S060-5H
6	19, 21	23	N/A	809S060-6H

LIPPED 90° RIGHT ANGLE SHRINK BOOTS- TYPE 1 HIGH PERFORMANCE ELASTOMER

- 75° C to +165° C
- Excellent resistance to fuels, oils, solvents and heat.

Fully recovered boot shown. As supplied part will vary.



Boot Size	Shell Size			Part Number Pre-Coated with W1 Hi-Temp Hot-Melt Adhesive
	Series 800, 801, 802, 803, 804	Series 805	Series 811	
1	5/6	8	5	809A060-1
2	7	9	6,7	809A060-2
3	8, 9	10, 11	8,9	809A060-3
4	10, 11, 12, 13	12, 15	N/A	809A060-4
5	14, 15, 16, 17	18, 19	N/A	809A060-5
6	19, 21	23	N/A	809A060-6

LIPPED 90° RIGHT ANGLE SHRINK BOOTS- TYPE 2 ZERO HALOGEN

- Low Smoke, Zero Halogen
- Meets U.S. and E.U. toxicity requirements.

Fully recovered boot shown. As supplied part will vary.



Boot Size	Shell Size			Part Number Pre-Coated with W1 Hi-Temp Hot-Melt Adhesive
	Series 800, 801, 802, 803, 804	Series 805	Series 811	
1	5/6	8	5	809A060-1H
2	7	9	6,7	809A060-2H
3	8, 9	10, 11	8,9	809A060-3H
4	10, 11, 12, 13	12, 15	N/A	809A060-4H
5	14, 15, 16, 17	18, 19	N/A	809A060-5H
6	19, 21	23	N/A	809A060-6H

LIPPED 45° ANGLE SHRINK BOOTS- TYPE 1 HIGH PERFORMANCE ELASTOMER

- 75° C to +165° C
- Excellent resistance to fuels, oils, solvents and heat.

Fully recovered boot shown. As supplied part will vary.



Boot Size	Shell Size		Part Number Pre-Coated with W1 Hi-Temp Hot-Melt Adhesive
	Series 800, 801, 802, 803, 804	Series 805	
1	5/6	8	809B060-1
2	7	9	809B060-2
3	8, 9	10, 11	809B060-3
4	10, 11, 12, 13	12, 15	809B060-4
5	14, 15, 16, 17	18, 19	809B060-5
6	19, 21	23	809B060-6

Shrink Boot Types

LIPPED 45° ANGLE SHRINK BOOTS- TYPE 2 ZERO HALOGEN

- Low Smoke, Zero Halogen
- Meets U.S. and E.U. toxicity requirements.



Boot Size	Shell Size		Part Number
	Series 800, 801, 802, 803, 804	Series 805	Pre-Coated with W1 Hi-Temp Hot-Melt Adhesive
1	5/6	8	809B060-1H
2	7	9	809B060-2H
3	8, 9	10, 11	809B060-3H
4	10, 11, 12, 13	12, 15	809B060-4H
5	14, 15, 16, 17	18, 19	809B060-5H
6	19, 21	23	809B060-6H

LIPPED STRAIGHT LONG TAIL SHRINK BOOTS- TYPE I HIGH PERFORMANCE ELASTOMER

- -75° C to +165° C
- Excellent resistance to fuels, oils, solvents and heat.



Boot Size	Shell Size		Part Number
	Series 800, 801, 802, 803, 804	Series 805	Pre-Coated with W1 Hi-Temp Hot-Melt Adhesive
1	5/6	8	809SL060-1
2	7	9	809SL060-2
3	8/9	10/11	809SL060-3
4	10/11/12/13	12/15	809SL060-4

LIPPED STRAIGHT LONG TAIL SHRINK BOOTS- TYPE 2 ZERO HALOGEN

- Low Smoke, Zero Halogen
- Meets U.S. and E.U. toxicity requirements.



Boot Size	Shell Size		Part Number
	Series 800, 801, 802, 803, 804	Series 805	Pre-Coated with W1 Hi-Temp Hot-Melt Adhesive
1	5/6	8	809SL060-1H
2	7	9	809SL060-2H
3	8/9	10/11	809SL060-3H
4	10/11/12/13	12/15	809SL060-4H

LIPPED STRAIGHT USB SHRINK BOOTS- TYPE 9 LOW-TEMP FLEXIBLE POLYOLEFIN

- -40° C to +100° C
- Same excellent physical properties within a limited temperature range.

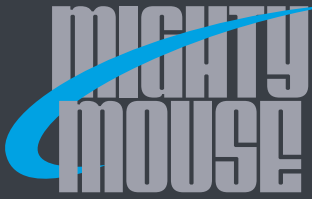


Boot Size	Shell Size	Part Number
	Series 801, 804, 805	Pre-Coated with W2 Hot-Melt Adhesive
1	7, 8	809SU060-1

Contact the factory for additional material types and adhesive options or refer to the the Series 77 catalog for complete details. Additional material types include:

Type 3: 2040 Flexible Polyolefin
Type 5: 2050 Viton
Type 6: 2051 Elastomer Polymer Alloy

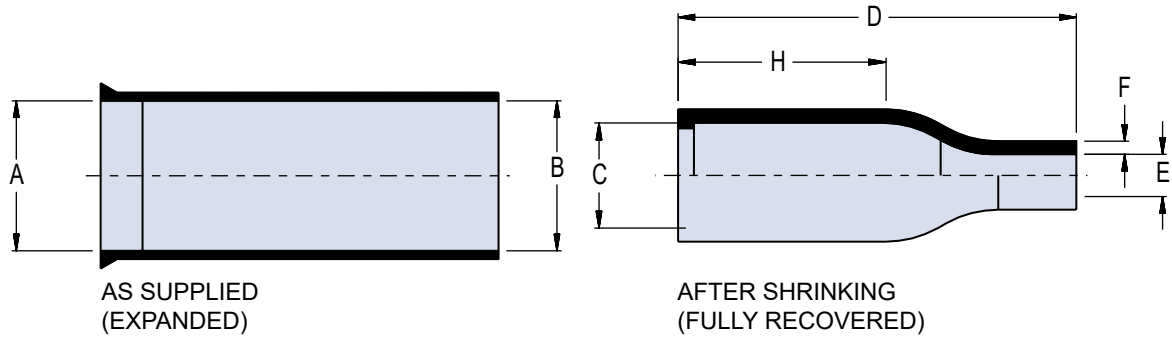
Type 7: 2071 Semi-Rigid Polyolefin
Type 8: 2008 Space Grade, Low Outgassing



SERIES 80 MIGHTY MOUSE CONNECTORS
Accessories, Backshells, and Tools
Shrink Boot Dimensions

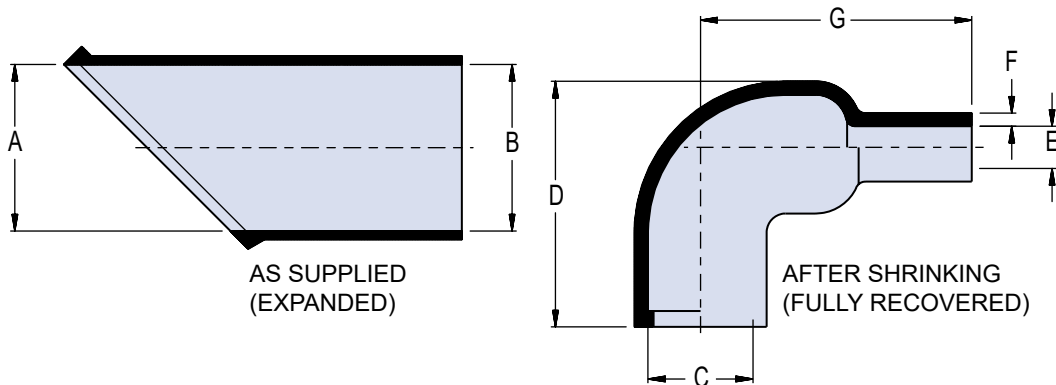


LIPPED STRAIGHT SHRINK BOOTS- DIMENSIONS



Boot Size	A Min.	B Min.	C Max.	D Ref.	E Max.	F Ref.	H Ref.	Cable Range	
								Maximum	Minimum
1	.390 (9.91)	.390 (9.91)	.260 (6.60)	1.370 (34.80)	.080 (2.03)	.030 (0.76)	.750 (19.05)	.230 (5.84)	.100 (2.54)
2	.669 (16.99)	.669 (16.99)	.300 (7.62)	1.500 (38.10)	.140 (3.56)	.032 (0.81)	.750 (19.05)	.500 (12.70)	.170 (4.32)
3	.945 (24.00)	.945 (24.00)	.390 (9.91)	1.500 (38.10)	.200 (5.08)	.035 (0.89)	.750 (19.05)	.800 (20.32)	.240 (6.10)
4	1.181 (30.00)	1.181 (30.00)	.550 (13.97)	2.170 (55.12)	.240 (6.10)	.039 (0.99)	1.180 (29.97)	1.020 (25.91)	.280 (7.11)
5	1.260 (32.00)	1.260 (32.00)	.710 (18.03)	2.640 (67.06)	.280 (7.11)	.039 (0.99)	1.300 (33.02)	1.120 (28.45)	.300 (7.62)
6	1.417 (35.99)	1.417 (35.99)	.900 (22.86)	3.150 (80.01)	.330 (8.38)	.047 (1.19)	1.570 (39.88)	1.200 (30.48)	.350 (8.89)

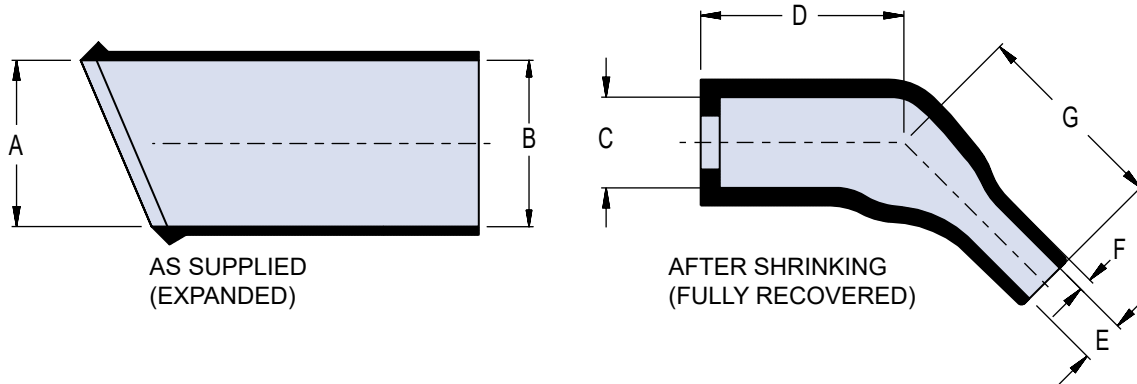
LIPPED 90° RIGHT ANGLE SHRINK BOOTS- DIMENSIONS



Boot Size	A Min.	B Min.	C Max.	D Ref.	E Max.	F Ref.	G Ref.	Cable Range	
								Maximum	Minimum
1	.390 (9.91)	.390 (9.91)	.260 (6.60)	.790 (20.07)	.095 (2.41)	.032 (0.81)	.750 (19.05)	.230 (5.84)	.100 (2.54)
2	.669 (16.99)	.669 (16.99)	.310 (7.87)	.790 (20.07)	.140 (3.56)	.032 (0.81)	.790 (20.07)	.500 (12.70)	.170 (4.32)
3	.945 (24.00)	.945 (24.00)	.390 (9.91)	.980 (24.89)	.200 (5.08)	.040 (1.02)	.980 (24.89)	.800 (20.32)	.240 (6.10)
4	1.181 (30.00)	1.181 (30.00)	.530 (13.46)	1.060 (26.92)	.220 (5.59)	.046 (1.17)	1.260 (32.00)	1.020 (25.91)	.270 (6.86)
5	1.260 (32.00)	1.260 (32.00)	.710 (18.03)	1.260 (32.00)	.280 (7.11)	.052 (1.32)	1.540 (39.12)	1.120 (28.45)	.300 (7.62)
6	1.417 (35.99)	1.417 (35.99)	.900 (22.86)	1.500 (38.10)	.330 (8.38)	.052 (1.32)	1.930 (49.02)	1.200 (30.48)	.350 (8.89)

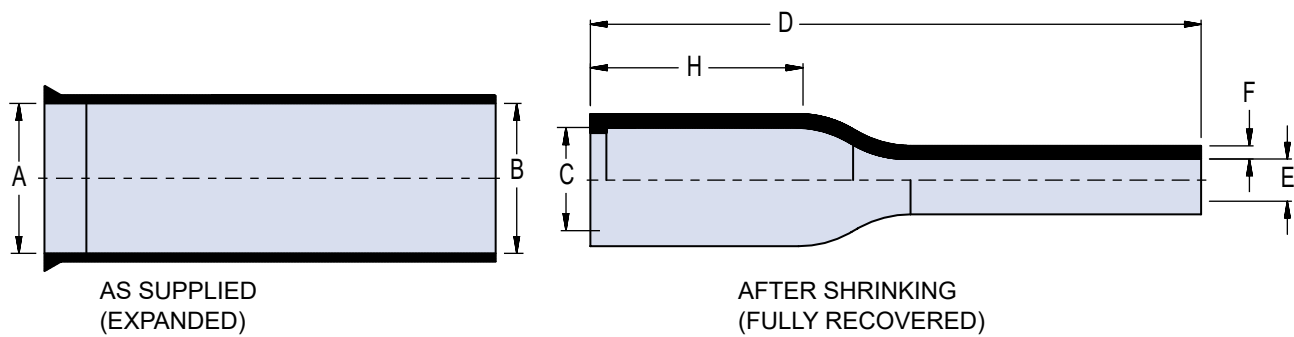
ACCESSORIES, BACKSHELLS, AND TOOLS

LIPPED 45° ANGLE SHRINK BOOTS- DIMENSIONS

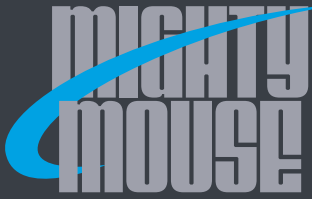


Boot Size	A Min.	B Min.	C Max.	D Ref	E Max.	F Ref.	G Ref.	Cable Range	
								Max. In.	Min. In.
1	.390 (9.91)	.390 (9.91)	.260 (6.60)	.600 (15.24)	.080 (2.03)	.030 (0.76)	.560 (14.22)	.230 (5.84)	.100 (2.54)
2	.669 (16.99)	.669 (16.99)	.300 (7.62)	.640 (16.26)	.140 (3.56)	.035 (0.89)	.620 (15.75)	.500 (12.70)	.170 (4.32)
3	.945 (24.00)	.945 (24.00)	.390 (9.91)	.500 (12.70)	.160 (4.06)	.040 (1.02)	.750 (19.05)	.800 (20.32)	.240 (6.10)
4	1.181 (30.00)	1.181 (30.00)	.550 (13.97)	.748 (19.00)	.230 (5.84)	.043 (1.09)	1.180 (29.97)	1.020 (25.91)	.280 (7.11)
5	1.260 (32.00)	1.260 (32.00)	.710 (18.03)	.984 (24.99)	.280 (7.11)	.065 (1.65)	1.380 (35.05)	1.120 (28.45)	.300 (7.62)
6	1.417 (35.99)	1.417 (35.99)	.900 (22.86)	1.260 (32.00)	.330 (8.38)	.065 (1.65)	1.570 (39.88)	1.200 (30.48)	.350 (8.89)

LIPPED STRAIGHT LONG TAIL SHRINK BOOTS- DIMENSIONS



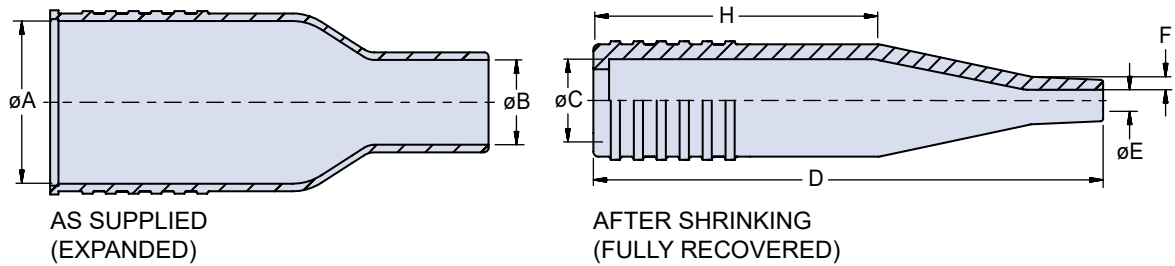
Boot Size	A Min.	B Min.	C Max.	D Ref	E Max.	F Ref.	H Ref.	Cable Range	
								Max. In.	Min. In.
1	.390 (9.91)	.390 (9.91)	.280 (7.11)	2.500 (63.50)	.080 (2.03)	.045 (1.14)	.750 (19.05)	.230 (5.84)	.100 (2.54)
2	.669 (16.99)	.669 (16.99)	.310 (7.87)	2.500 (63.50)	.140 (3.56)	.045 (1.14)	.750 (19.05)	.500 (12.70)	.170 (4.32)
3	.945 (24.00)	.945 (24.00)	.390 (9.91)	2.500 (63.50)	.200 (5.08)	.045 (1.14)	.750 (19.05)	.800 (20.32)	.240 (6.10)
4	1.181 (30.00)	1.181 (30.00)	.550 (13.97)	3.000 (76.20)	.240 (6.10)	.045 (1.14)	1.180 (29.97)	1.020 (25.91)	.280 (7.11)



SERIES 80 MIGHTY MOUSE CONNECTORS
Accessories, Backshells, and Tools
 Shrink Boot Dimensions



LIPPED STRAIGHT USB SHRINK BOOTS- DIMENSIONS



Boot Size	A Min.		B Min.		C Max.		D Ref		E Max.		F Ref.		H Ref.		Cable Range			
	In.	mm.	In.	mm.	In.	mm.	In.	mm.	In.	mm.	In.	mm.	In.	mm.	Max. In.	Max. mm.	Min. In.	Min. mm.
1	.550	13.97	.360	9.14	.330	8.38	2.000	50.80	.090	2.29	.055	1.40	1.130	28.70	.250	6.35	.090	2.29



SERIES 80 MIGHTY MOUSE CONNECTORS Accessories, Backshells, and Tools

Connector Holding Tools



CONNECTOR HOLDING TOOL FOR TIGHTENING BACKSHELLS AND ACCESSORIES



1



2

1 Plug tool for holding Series 80 plug connectors. Heat-treated steel, nickel plated.

2 Receptacle tool for holding Series 80 receptacle connectors. Heat-treated steel, nickel plated.

Holding Tool Part Number (Add P or R)										
Shell Size	Series 800	Series 801	Series 802	Series 803	Series 804	Series 805				
5	600M005-05 ★	600MM005-05 ◆	600-172-5 +	600-140-5 ★	600-141-5 ■	—				
6	600M005-06 ★	600MM005-06 ◆	600-172-6 +	600-140-6 ★	600-141-6 ■	—				
7	600M005-07 ★	600MM005-07 ◆	600-172-7 +	600-140-7 ★	600-141-7 ■	—				
8	600M005-08 ★	600MM005-08 ◆	600-172-8 +	600-140-8 ★	600-141-8 ■	600-185-8 ○				
9	600M005-09 ★	600MM005-09 ◆	600-172-9 +	600-140-9 ★	600-141-9 ■	600-185-9 ○				
10	600M005-10 ★	600MM005-10 ◆	600-172-10 +	600-140-10 ★	600-141-10 ■	600-185-10 ○				
11	—	600MM005-11 ◆	—	—	—	600-185-11 ○				
12	600M005-12 ★	—	600-172-12 +	600-140-12 ★	600-141-12 ■	600-185-12 ○				
13	—	600MM005-13 ◆	—	—	—	600-185-13 ○				
14	—	—	600-172-14 +	600-140-14 ★	600-141-14 ■	—				
15	—	—	600-172-15 +	600-140-15 ★	600-141-15 ■	600-185-15 ○				
16	—	600MM005-16 ◆	—	—	—	—				
17	—	600MM005-17 ◆	—	—	—	—				
18	—	—	—	—	—	600-185-18 ○				
19	—	600MM005-19 ◆	600-172-19	—	—	600-185-19 ○				
21	—	600MM005-21 ◆	600-172-21 +	—	—	600-185-21 ○				
23	—	—	—	—	—	600-185-23 ○				

- ★ Add **P** for plug holder or **R** for receptacle holder, followed by polarizing position (**N, X, Y, Z**).
- ◆ Add **P** for plug holder or **R** for receptacle holder, followed by polarizing position (**A, B, C, D**).
- ✦ Add **P** for plug holder or **R** for receptacle holder, followed by polarizing position (**A, B, C, D, U=universal**).
- Add **P** for plug holder or **R** for receptacle holder, followed by polarizing position (**A, B, C, D, E, F**). Omit for single master key).
- Add **P** for plug holder or **R** for receptacle holder, followed by polarizing position (**A, B, C, D, E, F**). Omit polarization for receptacle tools.

The following tabulations show the changes to the Glenair recommended torque values for connector coupling torque and backshell tightening torque. The jam nut tightening torque values will remain the same.

Series 800	Coupling Torque		Jam Nut Tightening		Backshell Tightening	
	Min.	Max.	Min.	Max.	Min.	Max.
5	16	20	20	25	12	16
6	18	22	20	25	14	18
7	20	24	20	25	16	20
8	20	24	20	25	16	20
9	20	24	25	30	16	20
10	20	24	25	30	16	20
12	20	24	25	30	16	20

Shell Size Series 801, 802, 803, 804	Shell Size Series 805	Coupling Torque		Jam-Nut Tightening		Backshell Tightening	
		Min.	Max.	Min.	Max.	Min.	Max.
5	-	16	20	20	25	12	16
6	8	18	22	20	25	14	18
7	9	20	24	20	25	16	20
8	10	22	26	20	25	18	22
9	11	24	28	20	25	20	24
10	12	26	30	25	30	22	26
12, 13	15	32	36	25	30	28	32
14, 16	18	38	42	25	30	28	32
15, 17	19	40	44	25	30	28	32
21	23	48	52	25	30	28	32

ACCESSORIES, BACKSHELLS, AND TOOLS

Band-Master ATS® Shield Termination Tool Bands and Instructions

BAND-MASTER ATS® SHIELD TERMINATION SYSTEM

Fast, cost-effective shield termination. Attach cable shields to Series 80 connectors or backshells with **Band-Master®** stainless steel straps. The **Band-Master®** system offers fast termination and the flexibility to handle a wide range of parts with just one band size. Approved for aerospace and defense, these straps have successfully passed rigorous shock, vibration and environmental testing.



1 Micro Band Installation Tool. Use with .120" (3.05 mm) wide bands. 6.75 inches (172 mm.) length, 1.2 pounds (0.6 Kg.)

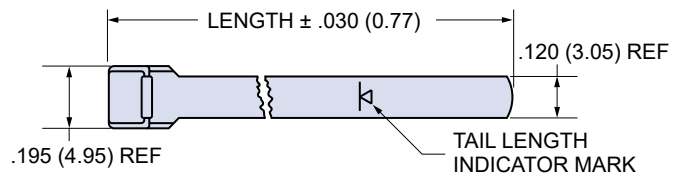
2 Micro Band, .120" (3.05 mm) wide. Available in two lengths, flat or pre-coiled. Stainless steel.

Figure	Description	Part Number
1	Micro Band Installation Tool	601-101

Figure	Length		Part Number		Accommodates Diameter	
	in.	mm.	Flat	Pre-Coiled	in.	mm.
2	8.125	206.38	601-060	601-061	.88	22.35
2	14.250	361.95	601-064	601-065	1.88	47.75



Contact Glenair or visit our website (glenair.com) to view our complete line of **Band-Master ATS™** products, including pneumatic tools for high volume production and calibration kits.



BAND-MASTER ATS® SHIELD TERMINATION INSTRUCTIONS

1. Prepare Cable Braid for termination process (Figure 1).
2. Push Braid forward over Adapter Retention Lip to the Adapter Incline Point (or .4" [10.2mm] minimum braid length). Milk Braid as required to remove slack and insure a snug fit around the shield termination area (Figure 2).
3. Prepare the Band in the following manner: **IMPORTANT:** Due to Connector/Adapter circumference, it may be necessary to prepare the Band around the Cable or Retention Area.
 - A. Roll Band through the Buckle Slot twice. (Bands must be double-coiled.)
 - B. Pull on Band until Mark (▶) is within approximately .250 inch (6.4mm) of Buckle Slot (Figure 3). The Band may be tightened further if desired.

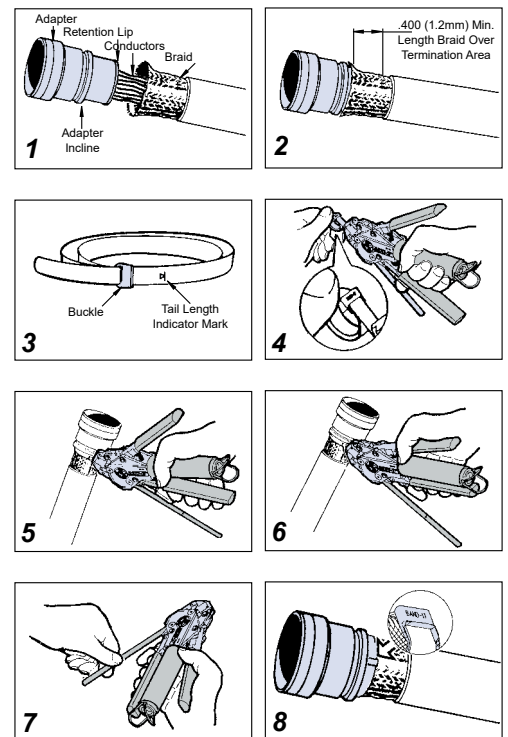
NOTE: Prepared Band should have (▶) Mark visible approximately where shown in Figure 3.

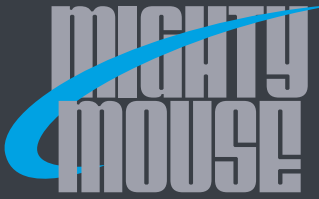
Shield Termination Process (Figures 4 thru 8)

NOTE: To free tool handles, move holding clips to center of Tool.

4. Squeeze Gripper Release Lever and insert Band into the front end opening of the Tool. (NOTE: Circular portion of looped band must always face downward.)
5. Aligning the Band and Tool with the Shield Termination Area, squeeze Black Pull-Up Handle repeatedly using short strokes until it locks against Tool Body. (This indicates the Band is compressed to the Tool Pre-calibrated Tension.)

NOTE: If alignment of band and shield is unsatisfactory, tension on band can be relaxed by pushing on slotted release lever on top of tool. Make adjustments as necessary and again squeeze black pull-up handle.
6. Complete the Clamping Process by squeezing the Gray Cut-Off Handle.
7. Remove excess band from tool and dispose.
8. Inspect Shield Termination.





SERIES 80 MIGHTY MOUSE CONNECTORS Accessories, Backshells, and Tools



Series 800 Mighty Mouse Plug and Receptacle Metal Protective Covers and Lanyard



667-185

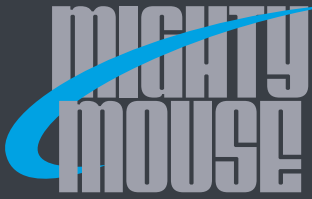
Protective covers fit Series 800 plug and receptacle connectors. Aluminum or stainless steel. Fluorosilicone rubber gasket protects connector from contamination and water ingress. Attach to panel or cable with a variety of lanyards and fittings. Lanyard styles include braided nylon rope, stainless steel wire, or sash chain. Stainless steel wire available with flexible, rugged polyurethane coating or fluoropolymer sleeve for high temperature requirements.

ACCESSORIES, BACKSHELLS, AND TOOLS

How To Order	
Sample Part Number	667-184 -M -G 9 04 -6 X
Series (See Table I)	667-184 = Plug Cover 667-185 = Receptacle Cover
Shell Material and Finish	<p>C = Aluminum / Black Anodize (Non-Conductive) RoHS Compliant</p> <p>M = Aluminum / Electroless Nickel RoHS Compliant</p> <p>MT = Aluminum / Nickel-PTFE RoHS Compliant</p> <p>NF = Aluminum / Cadmium with Olive Drab Chromate</p> <p>ZNU = Aluminum / Zinc-Nickel with Black Chromate</p> <p>Z1 = Stainless Steel / Passivated RoHS Compliant</p>
Attachment Type	<p>-D = Bead Chain, CRES, Passivate</p> <p>-F = Wire Rope, Nylon Jacket</p> <p>-G = Nylon Rope</p> <p>-H = SST Wire Rope, Fluoropolymer Jacket</p> <p>-N = No Attachment</p> <p>-R = Wire Rope, PVC Jacket</p> <p>-S = SST Sash Chain</p> <p>-SK = Nylon Rope With Slip Knot</p> <p>-T = SST Wire Rope, No Jacket</p> <p>-U = SST Wire Rope, Polyurethane Jacket</p> <p>"SST" = Stainless Steel</p>
Shell Size	5, 6, 7, 8, 9, 10, 12
Attachment Code (See Table II)	Small Ring = 01, 02, 04, 06 Large Ring = 14 thru 33 Split Ring = 50 thru 68
Attachment Length (Inches)	Omit for attachment Type N (No Attachment) Example: "-6" equals six inch length
Alternate Polarization	X, Y, Z; Omit for Normal. Applies to 667-184 Plug Cover only.

Table I: Shell Style	
667-184 Plug Cover	667-185 Receptacle Cover

Table II: Attachment Code	
Omit for attachment types N (No Attachment) and SK (Slip Knot)	
	00 - No Eyelet
	<p>01 -.125 (3.2) I.D.</p> <p>02 -.145 (3.6) I.D.</p> <p>04 -.182 (4.6) I.D.</p> <p>06 -.197 (5.0) I.D.</p>
	<p>32 -.265 (6.73) I.D.</p> <p>29 -.315 (8.00) I.D.</p> <p>14 -.385 (9.78) I.D.</p> <p>15 -.445 (11.30) I.D.</p> <p>33 -.510 (12.95) I.D.</p> <p>16 -.570 (14.48) I.D.</p> <p>17 -.635 (16.13) I.D.</p> <p>18 -.695 (17.65) I.D.</p> <p>27 -.766 (19.46) I.D.</p>
	<p>50 -.432 (11.0) I.D.</p> <p>52 -.492 (12.5) I.D.</p> <p>54 -.648 (16.5) I.D.</p> <p>56 -.757 (19.2) I.D.</p> <p>58 -.898 (22.8) I.D.</p> <p>60 -1.023 (26.01) I.D.</p> <p>64 -1.137 (28.9) I.D.</p> <p>68 -1.357 (34.5) I.D.</p>



SERIES 80 MIGHTY MOUSE CONNECTORS Accessories, Backshells, and Tools



Series 800 Mighty Mouse Plug and Receptacle Metal Protective Covers and Lanyard

667-185 Cover Attachment for RPM Jam Nut Receptacle

Attch. Code	Shell Size	Ring I.D.		Ring O.D.	
		In.	mm.	In.	mm.
		± .010	±0.25	± .015	± 0.38
29	5	0.315	8.00	0.44	11.18
14	6	0.385	9.78	0.51	12.95
15	7	0.445	11.30	0.57	14.48
33	8	0.510	12.95	0.62	15.75
16	9	0.570	14.48	0.69	17.53
17	10	0.635	16.13	0.76	19.30
27	12	0.766	19.46	0.89	22.61

Solid Ring

667-185 Cover Attachment to a Panel with a Screw

Attch. Code	Screw Size	Ring I.D.		Ring O.D.	
		In.	mm.	In.	mm.
		±.005	±0.13	Max.	Max.
01	#4, M3	.126	3.20	.31	7.9
02	#6	.145	3.68	.31	7.9
04	#8, M4	.188	4.78	.31	7.9
06	#10	.197	5.00	.31	7.9

Small Ring for Attaching Receptacle Covers to a Panel with a Screw

667-184 Cover Attachment to Cable Assembly

Attch. Code	Shell Size	Ring I.D.		Ring O.D.	
		In.	mm.	In.	mm.
		± .010	±0.25	± .015	± 0.38
29	5	.315	6.73	0.44	11.18
14	6	0.385	9.78	0.51	12.95
33	7,8	0.510	12.95	0.62	15.75
16	9	0.570	14.48	0.69	17.53
17	10	0.635	16.13	0.76	19.30
18	12	0.695	17.65	0.82	20.83

Solid Ring

667-184 Cover Attachment for Cable

Attch. Code	Max. Cable Dia. (in.)	Ring Diameter			
		Min. ID		Max. OD	
		In.	mm.	In.	mm.
50	.410	.420	10.67	.580	14.73
52	.470	.480	12.19	.640	16.26
54	.625	.635	16.13	.796	20.22
56	.735	.745	18.92	.905	22.99
58	.875	.885	22.48	1.046	26.57
60	1.000	1.010	25.65	1.171	29.74
64	1.115	1.125	28.58	1.285	32.64
68	1.335	1.345	34.16	1.505	38.23

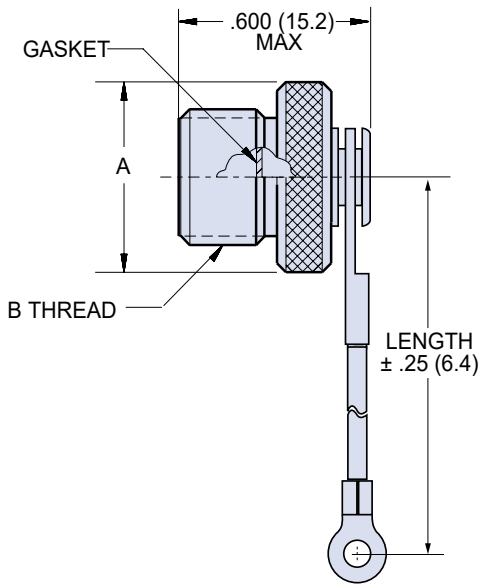
Large Split Ring for Attaching Covers to Cables



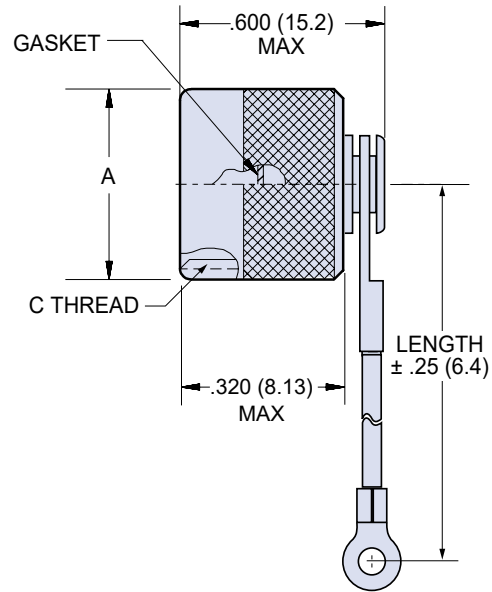
SERIES 80 MIGHTY MOUSE CONNECTORS Accessories, Backshells, and Tools



Series 80 Mighty Mouse Plug and Receptacle Metal Protective Covers and Lanyard



667-184 Plug Cover








667-185 Receptacle Cover

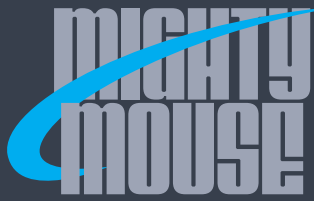
ACCESSORIES, BACKSHELLS, AND TOOLS

Dimensions				
Shell Size	A Max.		B	C
	In.	mm.		
5	.462	11.73	.3125-28 UN-2A	.3125-28 UN-2B
6	.525	10.80	.3750-28 UN-2A	.3750-28 UN-2B
7	.588	14.94	.4375-28 UNEF-2A	.4375-28 UNEF-2B
8	.650	16.51	.5000-32 UN-2A	.5000-32 UN-2B
9	.713	18.11	.5625-32 UN-2A	.5625-32 UN-2B
10	.838	21.29	.6250-32 UN-2A	.6250-32 UN-2B
12	.900	22.86	.7500-28 UN-2A	.7500-28 UN-2B

NOTES

- Materials and Finishes
 - Cover: Aluminum alloy per ASTM B211, or stainless steel per AMS-QQ-S-763
 - Gasket: Fluorosilicone rubber
 - Wire, Hardware: Stainless steel, passivated

Lanyard options	
 Nylon Rope	-65° to +100°C., black, very flexible, very good abrasion resistance, good resistance to fuels, .120" (3mm) diameter
 Polyurethane Coated Wire Rope	Black polyurethane over stainless steel rope, -65° to +125°C., very flexible, excellent abrasion resistance, excellent resistance to fuels, .080" (2mm) diameter
 Fluoropolymer Jacketed Wire Rope	Translucent FEP jacket over stainless steel, -65° to +200°C., fair flexibility, good abrasion resistance, .100" diameter
 Sash Chain	Stainless steel, #8 chain, .240" (6mm)
 Slip Knot (SK) for Attaching Covers to Cable	65° to +100°C., black, very flexible, very good abrasion resistance, good resistance to fuels, .120" (3mm) diameter. Length includes .5" (13mm) diameter loop.



SERIES 80 MIGHTY MOUSE CONNECTORS Accessories, Backshells, and Tools



Series 801 Mighty Mouse Plug and Receptacle Metal Protective Cover and Lanyard

667-218



Protect Connectors From Damage
Machined aluminum covers have rubber gaskets for a watertight fit.

Stainless Steel Fittings and Rings
Choose small diameter eye fittings for panel attachment. Larger rings fit under the jam nut or over cable jackets. Split rings can be installed on fully assembled cables.

Polyurethane-Coated SST Wire Rope
offers high strength, excellent abrasion resistance, and good flexibility. Or, choose Fluoropolymer jacket for high temperature exposure.

Braided Nylon Rope provides excellent flexibility and good abrasion resistance, and can be ordered with slip knot fittings for easy installation on any size cable.

How To Order	
Sample Part Number	667-217 -M -G 9 04 -6
Series (See Table I)	667-217 = Plug Cover 667-218 = Receptacle Cover
Material and Finish	C = Aluminum / Black Anodize (Non-Conductive) RoHS Compliant M = Aluminum / Electroless Nickel RoHS Compliant MT = Aluminum / Nickel-PTFE RoHS Compliant NF = Aluminum / Cadmium with Olive Drab Chromate ZNU = Aluminum / Zinc-Nickel with Black Chromate Z1 = Stainless Steel / Passivated RoHS Compliant
Attachment Type	D = Bead Chain, CRES, Passivate F = Wire Rope, Nylon Jacket G = Nylon Rope H = SST Wire Rope, Fluoropolymer Jacket N = No Attachment R = Wire Rope, PVC Jacket S = SST Sash Chain SK = Nylon Rope With Slip Knot T = SST Wire Rope, No Jacket U = SST Wire Rope, Polyurethane Jacket
Shell Size	5, 6, 7, 8, 9, 10, 11, 13, 16, 17, 19, 21
Attachment Code (See Table II)	Small Ring = 01 thru 06 Split Ring = 50 thru 68 Solid Ring = 14 thru 33
Attachment Length (inches)	Example "-6" equals six inch length Omit for attachment Type N (No Attachment)

Table I: Cover Style	
667-217 Plug Cover	667-218 Receptacle Cover

Table II: Attachment Code	
Omit for attachment types N (No Attachment) and SK (Slip Knot)	
 Small Ring ± .010 I.D. tolerance	01 - .126 (3.20) I.D. 02 - .145 (3.68) I.D. 04 - .188 (4.78) I.D. 06 - .197 (5.00) I.D.
 Large Ring ± .015 I.D. tolerance	32 - .265 (.37) I.D. 29 - .315 (8.00) I.D. 14 - .385 (9.78) I.D. 15 - .445 (11.30) I.D. 33 - .510 (12.95) I.D. 16 - .570 (14.48) I.D. 17 - .635 (16.13) I.D. 18 - .695 (17.65) I.D. 27 - .766 (.89) I.D. 19 - .885 (22.48) I.D. 26 - .950 (24.13) I.D. 20 - 1.070 (27.17) I.D. 21 - 1.135 (28.83) I.D. 22 - 1.210 (30.73) I.D. 23 - 1.275 (32.39) I.D. 30 - 1.380 (35.05) I.D.
 Split Ring	50 - .432 (11.00) I.D. 52 - .492 (12.50) I.D. 54 - .648 (16.50) I.D. 56 - .757 (19.20) I.D. 58 - .898 (22.80) I.D. 60 - 1.023 (26.00) I.D. 64 - 1.137 (28.90) I.D. 68 - 1.357 (34.50) I.D.

ACCESSORIES, BACKSHELLS, AND TOOLS

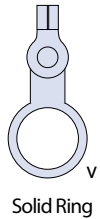
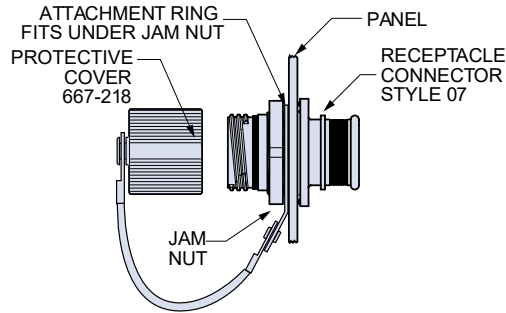


SERIES 80 MIGHTY MOUSE CONNECTORS Accessories, Backshells, and Tools



Series 801 Mighty Mouse Plug and Receptacle Metal Protective Cover and Lanyard

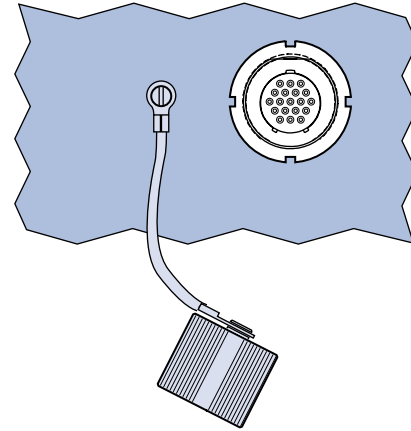
667-218 Cover Attachment for RPM Jam Nut Receptacle



Solid Ring

Atch. Code	Shell Size	Ring I.D.		Ring O.D.	
		In. ±.015	mm. ±0.25	In. ±.015	mm. ± 0.38
14	5	.385	9.78	.51	12.95
15	6	.445	11.30	.57	14.35
16	7, 8	.570	14.48	.69	17.40
17	9	.635	16.13	.76	19.30
18	10	.695	17.65	.82	20.82
27	11	.766	19.46	.89	22.61
19	13	.885	22.48	1.01	25.65
20	16	1.070	27.17	1.20	30.35
21	17	1.135	28.83	1.25	31.75
23	19	1.275	30.734	1.37	33.27
30	21	1.380	35.05	1.52	37.85

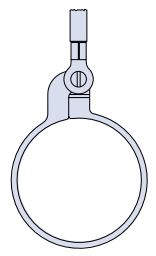
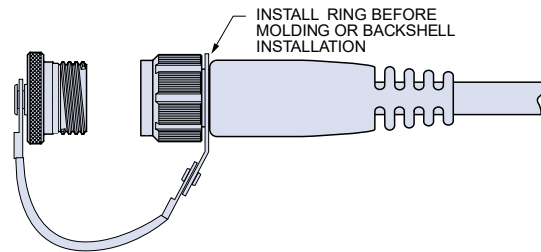
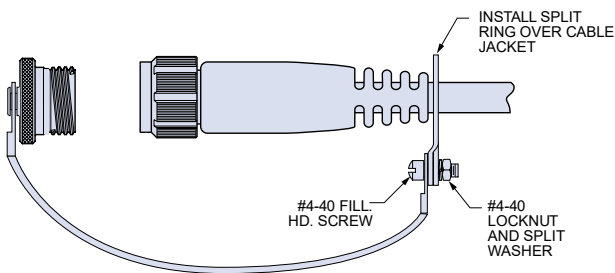
667-218 Cover Attachment to a Panel with a Screw



Small Ring for Attaching Receptacle Covers to a Panel with a Screw

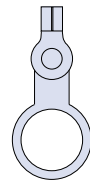
Atch. Code	Screw Size	Ring I.D.		Ring O.D.	
		In. ±.010	mm. ±0.13	In. Max.	mm. Max.
01	#4, M3	.126	3.20	.31	7.9
02	#6	.145	3.68	.31	7.9
04	#8, M4	.188	4.78	.31	7.9
06	#10	.197	5.00	.31	7.9

667-217 Cover Attachment to Cable Assembly



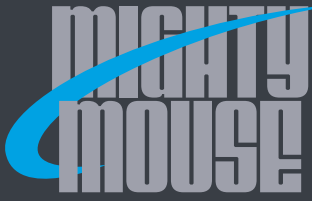
Large Split Ring for Attaching Covers to Cables

Atch. Code	Max. Cable Dia. (in.)	Ring Diameter			
		Min. ID		Max. OD	
		In.	mm.	In.	mm.
50	.410	.420	10.67	.580	14.73
52	.470	.480	12.19	.640	16.26
54	.625	.635	16.13	.796	20.22
56	.735	.745	18.92	.905	22.99
58	.875	.885	22.48	1.046	26.57
60	1.000	1.010	25.65	1.171	29.74
64	1.115	1.125	28.58	1.285	32.64
68	1.335	1.345	34.16	1.505	38.23



Solid Ring

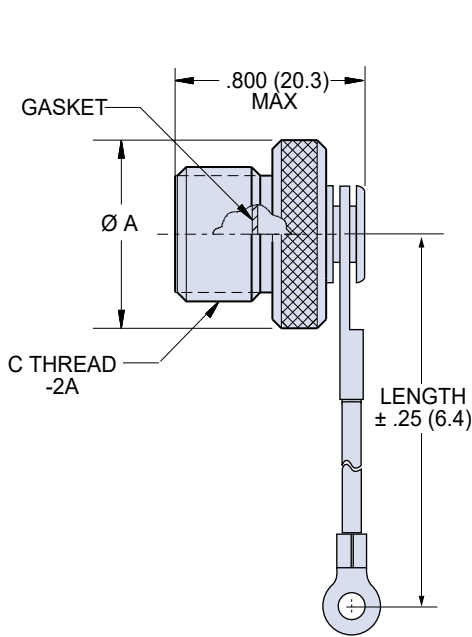
Atch. Code	Shell Size	Ring I.D.		Ring O.D.	
		In. ±.015	mm. ±0.25	In. ±.015	mm. ± 0.38
29	5	.315	8.00	.44	11.18
14	6	.385	9.78	.51	12.95
33	7, 8	.510	12.95	.62	15.75
16	9	.570	14.48	.69	17.53
17	10	.635	16.13	.76	19.30
18	11, 13	.695	17.65	.82	20.83
26	16, 17	.950	24.13	1.14	28.96
20	19	1.070	27.18	1.20	30.48
22	21	1.210	30.73	1.31	33.27



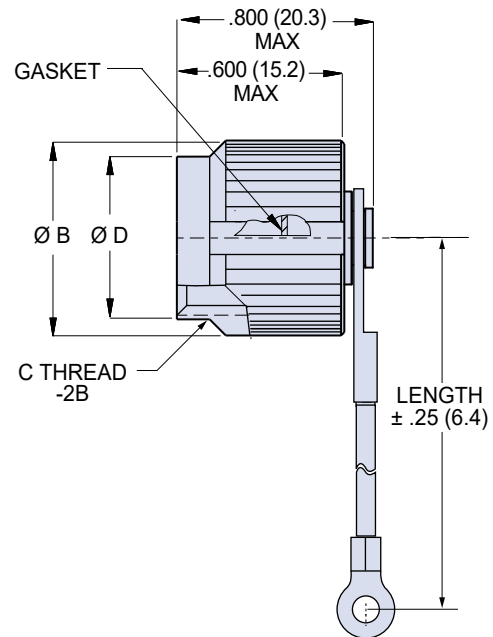
SERIES 80 MIGHTY MOUSE CONNECTORS Accessories, Backshells, and Tools



Series 801 Mighty Mouse Plug and Receptacle Metal Protective Cover and Lanyard



667-217 Plug Cover








667-218 Receptacle Cover

Dimensions							
Shell Size	Ø A Max.		Ø B Max.		Ø D ±.015 (0.38)		C Thread
	In.	mm.	In.	mm.	In.	mm.	
5	.465	11.8	.488	12.40	.368	9.3	.3125-.05P-.1L
6	.525	13.3	.555	14.10	.453	11.5	.375-.05P-.1L
7	.590	14.9	.615	15.62	.538	13.7	.4375-.05P-.1L
8	.653	16.6	.675	17.15	.587	14.9	.5000-.05-.1L
9	.715	18.0	.840	21.34	.648	16.5	.5625-.05P-.1L
10	.778	19.7	.905	22.95	.712	18.1	.6250-.05P-.1L
11	.840	21.3	.948	24.1	.778	19.8	.6875-.05P-.1L
13	.965	24.4	.995	25.27	.904	22.9	.8125-.1P-.2L
16	1.150	29.2	1.261	32.03	1.092	27.7	1.000-.1P-.2L
17	1.215	30.8	1.321	33.55	1.158	29.4	1.062-.1P-.2L
19	1.340	34.0	1.447	36.8	1.283	32.6	1.1875-.1P-.2L
21	1.477	37.5	1.570	39.88	1.412	35.8	1.3125-.1P-.2L

NOTES

1. Materials and Finishes
2. Cover: Aluminum alloy or stainless steel
3. Gasket: Fluorosilicone rubber
4. Wire, Hardware: Stainless steel, passivated

Lanyard Options	
	-65° to +100°C., black, very flexible, very good abrasion resistance, good resistance to fuels, .120" (3mm) diameter
	Black polyurethane over stainless steel rope, -65° to +125°C., very flexible, excellent abrasion resistance, excellent resistance to fuels, .080" (2mm) diameter
	Translucent FEP jacket over stainless steel, -65° to +200°C., fair flexibility, good abrasion resistance, .100" diameter
	Stainless steel, #8 chain, .240" (6mm)
	65° to +100°C., black, very flexible, very good abrasion resistance, good resistance to fuels, .120" (3mm) diameter. Length includes .5" (13mm) diameter loop.



SERIES 80 MIGHTY MOUSE CONNECTORS Accessories, Backshells, and Tools



Series 801 Mighty Mouse Plug and Receptacle Rubber Protective Covers and Lanyard



809-191

Splashproof Rubber Molded Covers fit all Series 801 plugs and receptacles. Braided black nylon lanyard is available with metal rings, cable tie or slipknot for attachment to panel or to cable. -40° to +120° C operating temperature, fungus resistant per MIL-STD-810G Method 508.6.

How To Order	
Sample Part Number	809-191 -05 G 6 -SCS 6
Series (See Table I)	809-191 = Plug Cover 809-190 = Receptacle Cover
Shell Size	5, 6, 7, 8, 9, 10, 11, 13, 16, 17, 19, 21
Lanyard Type	G = Nylon Rope Omit for no lanyard
Attachment Length (inches)	Omit for attachment Type N (No Attachment) Example: "-6" equals six inch length
Attachment Type (See Table II)	-WS = Nylon Cable -SCS = Adjustable Slip Knot -00 = Lanyard with No Attachment Lug Terminals = -01 thru -07 Solid Ring = -08 thru -33
Material	Omit for Neoprene Rubber per ASTM-D-2000 BC610Z1 C = Conductive Neoprene Blend (Conductance = 100K Ohms/Sq. Minimum)

Table I: Cover Style	
809-190 Receptacle Cover	809-191 Plug Cover

NOTES

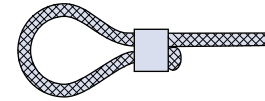
- Materials and Finishes
 - Cover: neoprene rubber blend, black
 - Lanyard: .062" (1.57) diameter nylon cord, black
 - Cable tie: 6/6 nylon, black, SST locking tab
 - Ring: stainless steel, black zinc-cobalt finish
 - Crimp sleeve: copper alloy, black zinc-cobalt finish

Table II: Attachment Code



-WS

Nylon Cable Tie, 1.77 Inch (45mm) Maximum Wire Bundle Diameter



-SCS

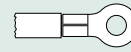
Adjustable Slip Knot with Crimp Sleeve. The sleeve can be crimped with pliers for a permanent attachment.



-00

Lanyard With No Attachment (Fused End)

Lug Terminals and Solid Ring Inner Diameter

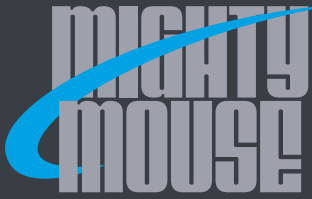


Lug Terminal



Solid Ring

-01	- .126 (3.20) I.D.
-02	- .140 (3.56) I.D.
-03	- .145 (3.68) I.D.
-04	- .156 (3.96) I.D.
-05	- .167 (4.24) I.D.
-06	- .188 (4.78) I.D.
-07	- .197 (5.00) I.D.
-08	- .385 (9.78) I.D.
-09	- .445 (11.30) I.D.
-10	- .516 (13.1) I.D.
-11	- .570 (14.48) I.D.
-12	- .583 (14.8) I.D.
-13	- .635 (16.13) I.D.
-14	- .695 (17.65) I.D.
-16	- .885 (22.48) I.D.
-17	- .896 (22.8) I.D.
-19	- 1.070 (27.18) I.D.
-20	- 1.135 (28.83) I.D.
-22	- 1.210 (30.73) I.D.
-23	- 1.275 (32.39) I.D.
-25	- 1.530 (38.9) I.D.
-26	- .950 (24.10) I.D.
-27	- .766 (19.50) I.D.
-29	- .315 (8.00) I.D.
-30	- 1.380 (35.10) I.D.
-32	- .265 (6.70) I.D.
-33	- .510 (13.00) I.D.

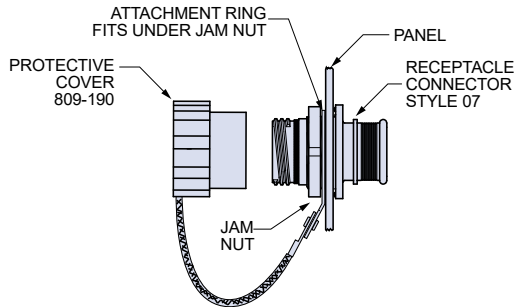


SERIES 80 MIGHTY MOUSE CONNECTORS Accessories, Backshells, and Tools

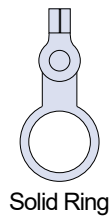


Series 801 Mighty Mouse Plug and Receptacle Rubber Protective Covers and Lanyard

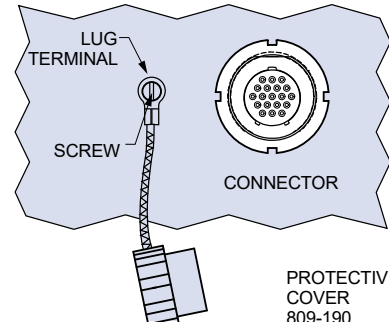
809-190 Cover Attachment for RPM Jam Nut Receptacle



Atch. Code	Shell Size	Ring I.D.		Ring O.D.	
		± .010	±0.25	± .015	± 0.38
08	5	.385	9.78	.51	12.95
09	6	.445	11.30	.57	14.35
11	7, 8	.570	14.48	.69	17.40
13	9	.635	16.13	.76	19.30
14	10	.695	17.65	.82	20.82
27	11	.766	19.46	.89	22.61
16	13	.885	22.48	1.01	25.65
19	16	1.070	27.17	1.20	30.35
20	17	1.135	28.83	1.25	31.75
23	19	1.275	32.39	1.37	34.80
30	21	1.380	35.05	1.48	37.59

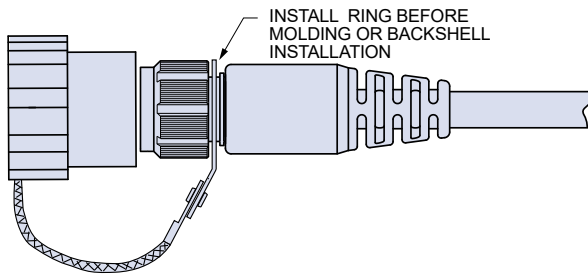


809-190 Cover Attachment to Panel with a Screw

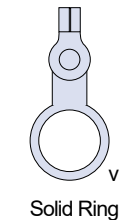


Lug Terminal for Attaching Receptacle Covers to a Panel with a Screw	Atch. Code	Screw Size	Ring I.D.		Ring O.D.	
			±.005	±0.13	Max.	Max.
	01	#4, M3	.126	3.20	.31	7.9
	02	#6	.145	3.68	.31	7.9
	06	#8, M4	.188	4.78	.31	7.9
	07	#10	.197	5.00	.31	7.9

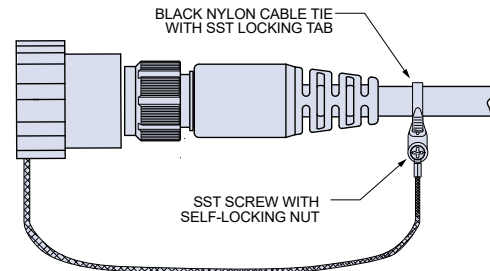
809-190 and 801-191 Cover Attachment to Cable Assembly



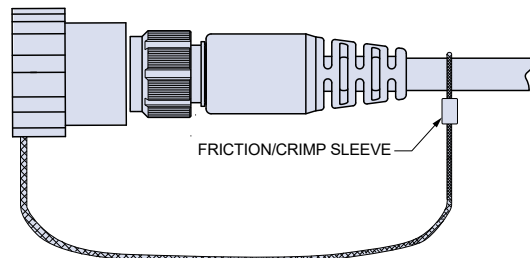
Atch. Code	Shell Size	Ring I.D.		Ring O.D.	
		± .010	±0.25	± .015	± 0.38
29	5	.315	8.00	.44	11.18
08	6	.385	9.80	.51	13.0
33	7,8	.510	12.95	.62	15.75
11	9	.570	14.48	.69	17.53
13	10	.635	16.13	.76	19.30
14	11,13	.695	17.65	.82	20.83
26	16,17	.950	24.13	1.14	28.96
19	19	1.070	27.18	1.20	30.48
22	21	1.210	30.73	1.31	33.27



809-190 and 191 Cover Attachment for Cable Assembly with Type WS Cable Tie



809-190 and 191 Cover Attachment for Cable Assembly with Type SCS Slip Knot

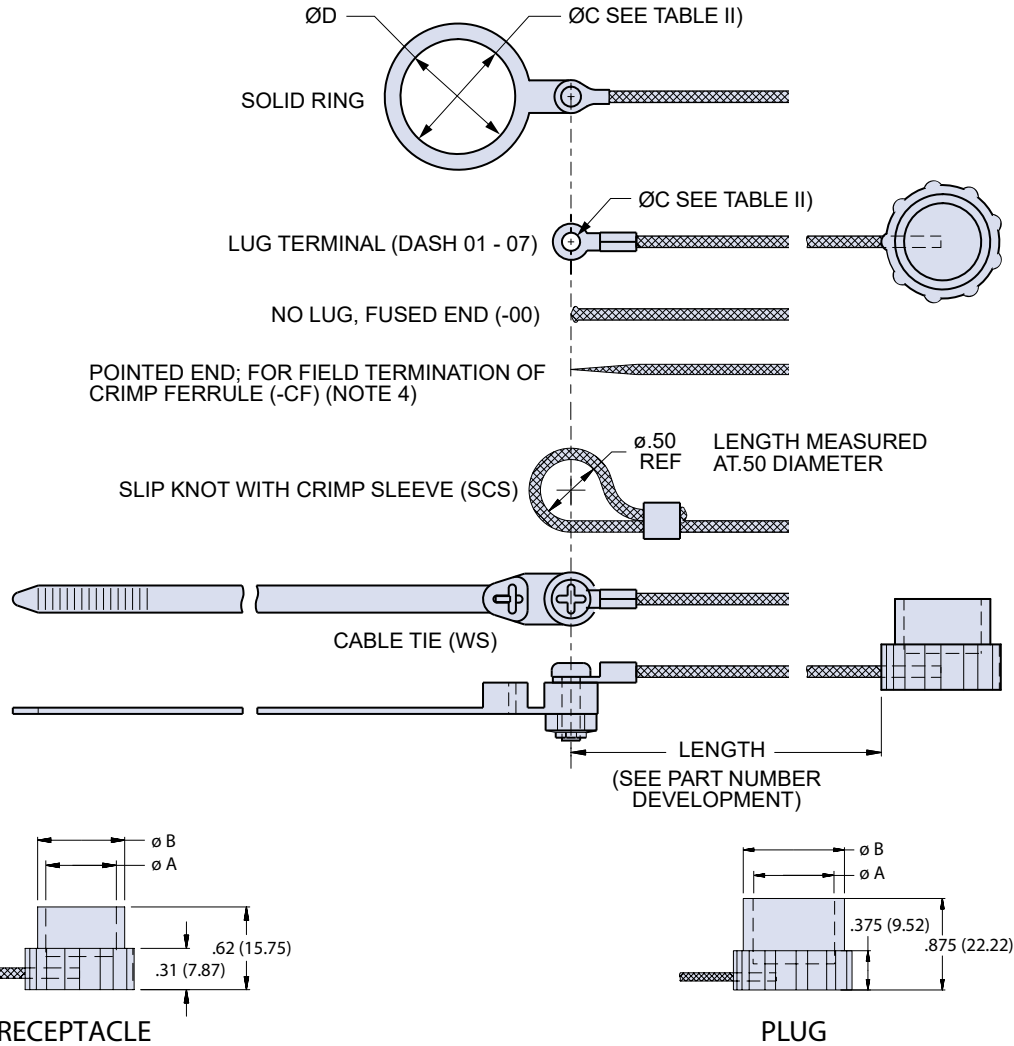




SERIES 80 MIGHTY MOUSE CONNECTORS Accessories, Backshells, and Tools



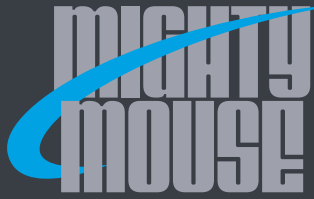
Series 801 Mighty Mouse Plug and Receptacle Rubber Protective Covers and Lanyard



809-190 Receptacle Cover				
Shell Size	Ø A		Ø B	
	In.	mm.	In.	mm.
05	.28	7.1	.41	10.4
06	.35	8.9	.47	11.9
07	.41	10.4	.53	13.5
08	.47	11.9	.60	15.2
09	.53	13.5	.66	16.8
10	.60	15.2	.72	18.3
11	.66	16.8	.78	20.1
13	.78	19.8	.91	23.1
16	.97	24.6	1.10	27.9
17	1.03	26.2	1.16	29.5
19	1.16	26.46	1.28	35.51
21	1.28	35.51	1.41	35.81

809-191 Plug Cover				
Shell Size	Ø A		Ø B	
	In.	mm.	In.	mm.
05	.51	13.0	.70	17.8
06	.57	14.5	.76	19.3
07	.66	16.8	.85	21.6
08	.72	18.3	.91	23.1
09	.78	19.8	.97	24.6
10	.85	21.6	1.03	26.2
11	.89	22.6	1.08	27.4
13	1.02	25.4	1.21	30.7
16	1.21	30.7	1.40	35.6
17	1.27	32.3	1.46	37.1
19	1.38	35.05	1.56	39.62
21	1.52	38.60	1.71	43.43

ACCESSORIES, BACKSHELLS, AND TOOLS



SERIES 80 MIGHTY MOUSE CONNECTORS Accessories, Backshells, and Tools



Series 811 Mighty Mouse High Density (HD) Plug and Receptacle Metal Protective Covers






667-218

Protect Connectors From Damage
Machined aluminum covers have rubber gaskets for a watertight fit.

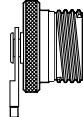
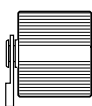
Stainless Steel Fittings and Rings
Choose small diameter eye fittings for panel attachment. Larger rings fit under the jam nut or over cable jackets. Split rings can be installed on fully assembled cables.

Polyurethane-Coated SST Wire Rope
offers high strength, excellent abrasion resistance, and good flexibility. Or, choose Fluoropolymer® jacket for high temperature exposure.

Braided Nylon Rope provides excellent flexibility and good abrasion resistance, and can be ordered with slip knot fittings for easy installation on any size cable.

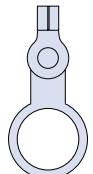
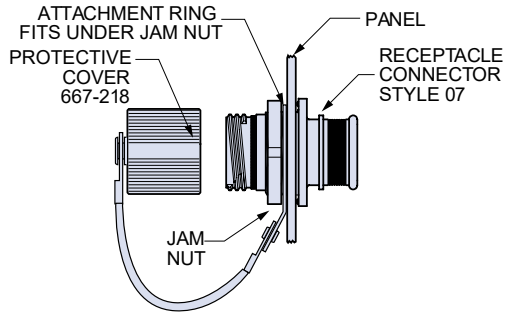
Table II: Attachment Code	
Omit for attachment types N (No Attachment) and SK (Slip Knot)	
Attachment Code	Inside Diameter
Small Ring 	
01	.126 (3.20) I.D.
02	.145 (3.68) I.D.
04	.188 (4.78) I.D.
06	.197 (5.00) I.D.
Large Ring 	
14	.385 (9.78) I.D.
15	.445 (11.30) I.D.
16	.570 (14.48) I.D.
17	.635 (16.13) I.D.
18	.695 (17.65) I.D.
19	.885 (22.48) I.D.
20	1.070 (27.17) I.D.
21	1.135 (28.83) I.D.
22	1.210 (30.73) I.D.
23	1.275 (32.39) I.D.
27	.766 (19.5) I.D.
29	.315 (8.0) I.D.
32	.265 (6.7) I.D.
33	.510 (13.0) I.D.
Split Ring 	
50	.420 (10.67) I.D.
52	.480 (12.19) I.D.
54	.635 (16.13) I.D.
56	.745 (18.92) I.D.
58	.885 (22.48) I.D.
60	1.010 (25.65) I.D.
64	1.125 (28.58) I.D.
68	1.345 (34.16) I.D.

How To Order						
Sample Part Number	667-347	-ME	-G	9	04	-6
Series See Table I	667-347 = Protective cover for use with series 811 plugs 667-218 = Protective Cover for use with Series 811 Receptacles					
Shell Material / Finish	ME = Aluminum / Electroless Nickel RoHS Compliant MT = Aluminum / Nickel-PTFE RoHS Compliant ZR = Aluminum / Zinc-Nickel with Black Chromate					
Attachment Type	-G = Nylon Rope -H = SST Wire Rope, Fluoropolymer Jacket -N = No Attachment -S = SST Sash Chain -SK = Nylon Rope With Slip Knot -T = SST Wire Rope, No Jacket -U = SST Wire Rope, Polyurethane Jacket "SST" = Stainless Steel					
Shell Size	5, 6, 7, 8, 9					
Attachment Code See Table II	Small ring = 01, 02, 04, 06 Large ring = 14, 15, 16, 17, 18, 19, 20, 21, 22, 23, 27, 29, 32, 33 Split ring = 50, 52, 54, 56, 58, 60, 64, 68					
Attachment Length in Inches	Omit for attachment Type N (No Attachment) Example: "-6" equals six inch length					

Table I: Cover Style	
	
667-347 Plug Cover	667-218 Receptacle Cover

Series 811 Mighty Mouse High Density (HD) Plug and Receptacle Metal Protective Covers

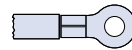
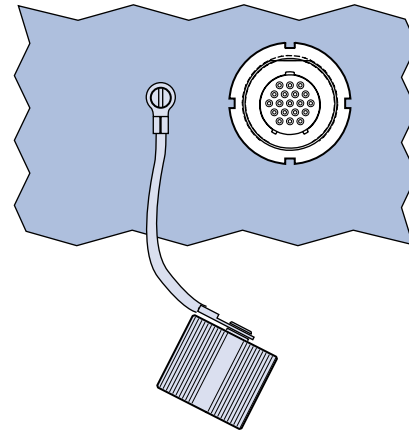
667-218 Cover Attachment to RPM Jam Nut Receptacle



Solid Ring

Attch. Code	Shell Size	Ring I.D. ± .010 (±0.25)	Ring O.D. ± .015 (± 0.38)
14	5	.385 (9.78)	.510 (12.95)
15	6	.445 (11.30)	.565 (14.35)
16	7, 8	.570 (14.48)	.685 (17.40)
17	9	.635 (16.13)	.760 (19.30)

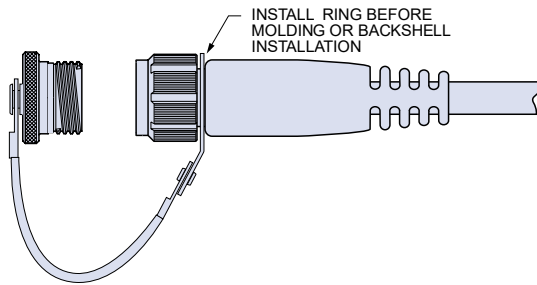
667-218 Cover Attachment to Panel with Screw



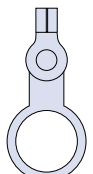
Small Ring for Attaching Receptacle Covers to a Panel with a Screw

Attch. Code	Screw Size	Ring I.D. ±.005	Ring O.D. Max.
01	#4, M3	.126 (3.20)	.31 (7.87)
02	#6	.145 (3.68)	.31 (7.87)
04	#8, M4	.188 (4.78)	.31 (7.87)
06	#10	.197 (5.00)	.31 (7.87)

667-347 Cover Attachment to Cable Assembly



Plug cover shown

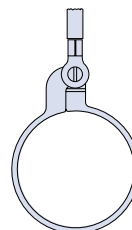
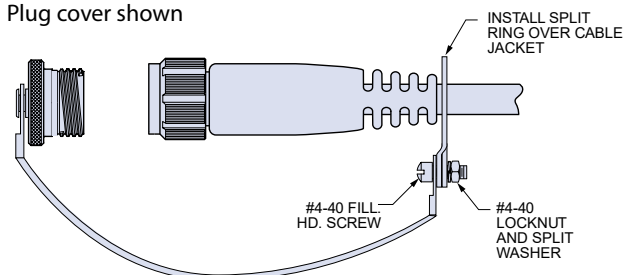


Solid Ring

Attch. Code	Shell Size	Ring I.D. ± .010 (0.25)	Ring O.D. ± .015 (0.38)
14	5,6	.385 (9.78)	.510 (12.95)
15	7	.445 (11.30)	.565 (14.35)
16	8, 9	.570 (14.48)	.685 (17.40)

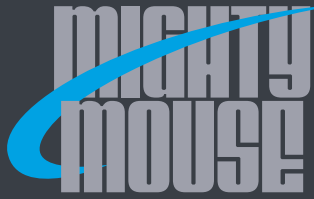
667-347 Cover Attachment to Cable

Plug cover shown



Large Split Ring for Attaching Covers to Cables

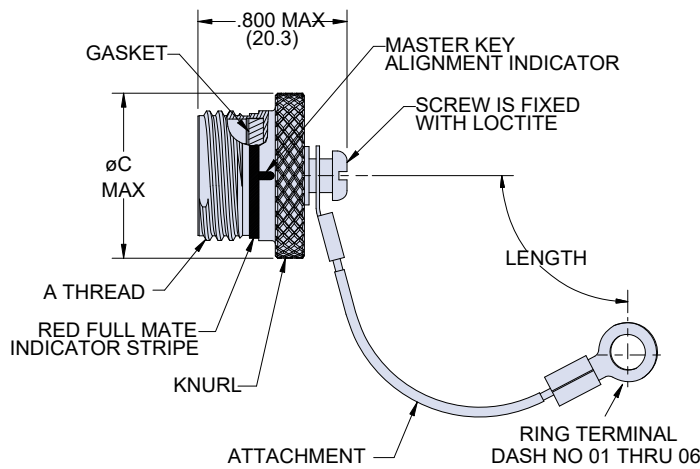
Attch. Code	Max. Cable Dia. (in.)	Ring Diameter	
		Min. ID	Max. OD
50	.410	.420	.580
52	.470	.480	.640
54	.625	.635	.796
56	.735	.745	.905
58	.875	.885	1.046
60	1.000	1.010	1.171
64	1.115	1.125	1.285
68	1.335	1.345	1.505



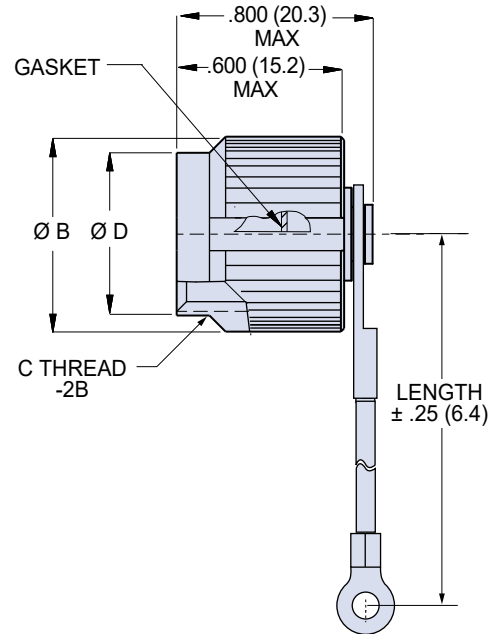
SERIES 80 MIGHTY MOUSE CONNECTORS Accessories, Backshells, and Tools



Series 811 Mighty Mouse High Density (HD) Plug and Receptacle Metal Protective Covers



667-347 Plug Cover



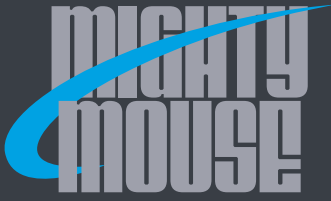
667-218 Receptacle Cover

Dimensions			
Shell Size	A Max.	B Max.	C Thread
5	.465 (11.81)	.488 (12.40)	.3125-.05P-.1L
6	.525 (13.34)	.555 (14.10)	.3750-.05P-.1L
7	.590 (14.99)	.615 (15.62)	.4375-.05P-.1L
8	.653 (16.59)	.675 (17.15)	.5000-.05-.1L
9	.715 (18.16)	.840 (21.34)	.5625-.05P-.1L

NOTES

- Materials and Finishes
 - Cover: aluminum alloy or stainless steel
 - Gasket: silicone rubber
 - Wire, hardware: stainless steel, passivated

Lanyard Options	
 Nylon Rope	-65° to +100°C., black, very flexible, very good abrasion resistance, good resistance to fuels, .120" (3mm) diameter
 Polyurethane Coated Wire Rope	Black polyurethane over stainless steel rope, -65° to +125°C., very flexible, excellent abrasion resistance, excellent resistance to fuels, .080" (2mm) diameter
 Fluoropolymer Jacketed Wire Rope	Translucent FEP jacket over stainless steel, -65° to +200°C., fair flexibility, good abrasion resistance, .100" diameter
 Sash Chain	Stainless steel, #8 chain, .240" (6mm)
 Slip Knot (SK) for Attaching Covers to Cable	65° to +100°C., black, very flexible, very good abrasion resistance, good resistance to fuels, .120" (3mm) diameter. Length includes .5" (13mm) diameter loop.



SERIES 80 MIGHTY MOUSE CONNECTORS Accessories, Backshells, and Tools



Series 802 AquaMouse™ Submersible IP68 Metal Protective Cover



660-088

Protect Connectors From Damage – These covers prevent ingress of water and contamination. Stainless steel plug covers feature Viton® O-rings for IP68 sealing (one meter for one hour). Receptacle covers have a Viton® gasket and are made from marine bronze to minimize galling. Cover is designed for low PSI connector protection. For 3500 PSI protection, use part numbers 667-241 and 667-242

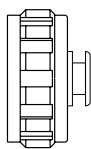
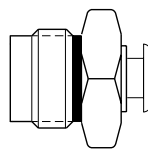
Three Types of Attachment Rings Choose small diameter eye fittings for panel attachment. Larger rings fit under

the jam nut or over cable jackets. Split rings can be installed on fully assembled cables.

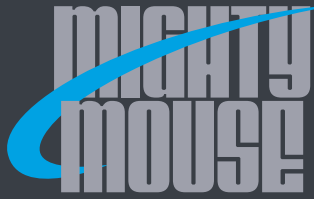
Polyurethane-Coated SST Wire Rope offers high strength, excellent abrasion resistance and good flexibility. Or, choose Fluoropolymer jacket for high temperature exposure.

Braided Nylon Rope provides excellent flexibility and good abrasion resistance, and can be ordered with slip knot fittings for easy installation on any size cable.

How To Order	
Sample Part Number	660-088 -9 G 04 -6 B
Series (See Table I)	660-088 = Receptacle Cover 660-087 = Plug Cover
Shell Size	-5, -6, -7, -8, -9, -10, -12, -14, -15, -21
Attachment Type	G = Nylon Rope H = SST Wire Rope, Fluoropolymer Jacket N = No Attachment S = SST Sash Chain SK = Nylon Rope With Slip Knot T = SST Wire Rope, No Jacket U = SST Wire Rope, Polyurethane Jacket "SST" = Stainless Steel
Attachment Code (See Table II)	Small Ring = 01, 02, 04, 06 Solid Ring = 16 thru 24 Split Ring = 50 thru 72
Attachment Length (inches)	Example "-6" equals six inch length Omit for attachment Type N (No Attachment)
Alternate Key Position (660-087 Only)	Omit for plug connectors with standard "A" key position, for all other positions indicate B, C or D Omit if ordering 660-088 receptacle cover

Table I: Cover Style	
	
660-088 Receptacle Cover	660-087 Plug Cover

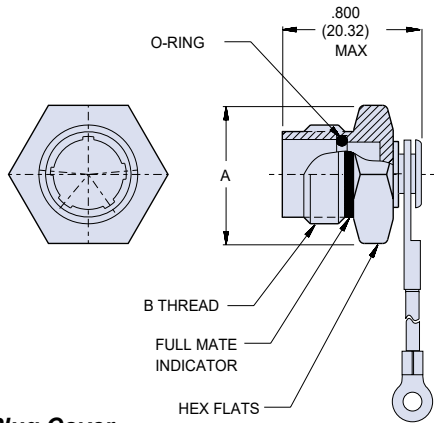
ACCESSORIES, BACKSHELLS, AND TOOLS



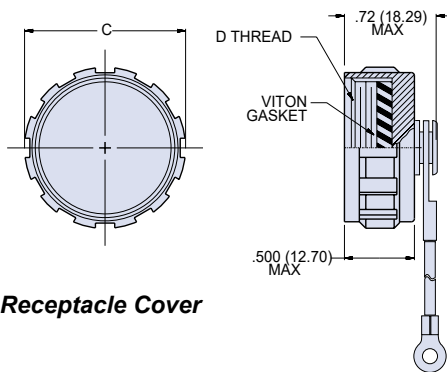
SERIES 80 MIGHTY MOUSE CONNECTORS Accessories, Backshells, and Tools



Series 802 AquaMouse™ Submersible IP68, Metal Protective Cover



660-087 Plug Cover



660-088 Receptacle Cover

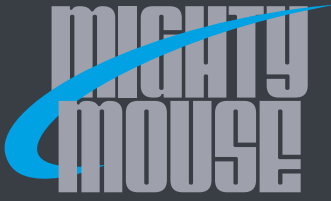
660-087 & -088 Dimensions						
Shell Size	A Hex		B Thread Class 2A	Ø C Max.		D Thread Class 2B
	In.	mm.		In.	mm.	
5	.500	12.70	.438-28 UNEF	.59	15.0	.438-28 UNEF
6	.625	15.88	.562-20 UN	.72	18.3	.562-20 UN
7	.688	17.48	.625-20 UN	.78	19.8	.625-20 UN
8	.750	19.05	.687-20 UN	.84	21.3	.687-20 UN
9	.812	20.62	.750-20 UNEF	.90	22.9	.750-20 UNEF
10	.875	22.23	.812-20 UNEF	.97	24.6	.812-20 UNEF
12	.938	23.83	.875-20 UNEF	1.03	26.2	.875-20 UNEF
14	1.125	28.58	1.062-20 UN	1.22	31.0	1.062-20 UN
15	1.188	30.18	1.125-20 UN	1.28	32.5	1.125-20 UN
21	1.562	39.67	1.438-20 UN	1.61	40.9	1.438-20 UN

NOTES

- Materials and Finishes
 - Plug Cover: 316 stainless steel, passivated
 - Receptacle Cover: marine bronze, unplated
 - O-Ring: Viton rubber
 - Gasket: Viton rubber
 - Wire, Hardware: Stainless steel, passivated

Table II: Attachment Options				
<p>Small Ring For Attaching Receptacle Covers to a Panel with a Screw</p>	Attch. Code	Screw Size	Ring I.D.	
	01	#4, M3	.126	3.20
	02	#6	.145	3.68
	04	#8, M4	.188	4.78
	06	#10	.197	5.00
<p>Solid Ring for Attaching Receptacle Covers to Jam Nut Receptacles</p>	Attch. Code	Receptacle Cover Shell Size	Ring I.D.	
	16	5	.570	14.5
	17	6	.635	16.1
	18	7	.695	17.7
	19	8, 9, 10	.885	22.5
	20	12	1.070	27.2
	21	14	1.135	28.8
	22	15	1.210	30.7
<p>Large Split Ring for Attaching Covers to Cables</p>	Attch. Code	Max. Cable Dia.	Min. ID	
	50	.410	.420	10.67
	52	.470	.480	12.19
	54	.625	.635	16.13
	56	.735	.745	18.92
	58	.875	.885	22.48
	60	1.000	1.010	25.65
	64	1.115	1.125	28.58
	68	1.335	1.345	34.16
	72	1.416	1.438	36.53
<p>Slip Knot (SK) for Attaching Covers to Cable</p>				

Jam Nut Major Diameter Reference			
Shell Size	Jam Nut Thread Major Dia.	Shell Size	Jam Nut Thread Major Dia.
5	.5000	10	.8750
6	.6250	12	.9375
7	.6875	14	1.1250
8	.7500	15	1.1875
9	.8125	21	1.5000



SERIES 80 MIGHTY MOUSE CONNECTORS Accessories, Backshells, and Tools



Series 802 AquaMouse™ Plug and Receptacle Submersible, 3500 PSI Metal Protective Cover



667-242

Protect Connectors From Damage – These covers prevent ingress of water and contamination. Stainless steel plug covers feature Viton® O-rings for 3500 PSI sealing. Receptacle covers have a Viton® gasket and are made from marine bronze to minimize galling. For low-pressure IP68 receptacle sealing only, use part number 660-088.

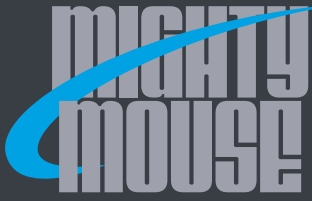
Polyurethane-Coated SST Wire Rope offers high strength, excellent abrasion resistance and good flexibility. Or, choose Fluoropolymer jacket for high temperature exposure.

Braided Nylon Rope provides excellent flexibility and good abrasion resistance, and can be ordered with slip knot fittings for easy installation on any size cable.

How To Order	
Sample Part Number	667-242 -S 6 03 -6
Series (See Table I)	667-241 = Plug Cover 667-242 = Receptacle Cover
Attachment Type	-D = Bead Chain, Cres., Passivate -F = Wire Rope, Nylon Jacket -G = Nylon Rope -H = SST Wire Rope, Fluoropolymer Jacket -N = No Attachment -R = Wire Rope, PVC Jacket -S = SST Sash Chain -T = SST Wire Rope, No Jacket -U = SST Wire Rope, Polyurethane Jacket "SST" = Stainless Steel
Shell Size	5, 6, 7, 8, 9, 10, 12, 14, 15, 21
Attachment Code (See Table II)	Small Ring = 01 thru 06 Solid Ring = 14 thru 33
Attachment Length (inches)	Omit for attachment Type N (No Attachment) Example "-6" equals six inch length

Table I: Cover Style	
667-241 High Pressure Plug Cover	667-242 High Pressure Receptacle Cover

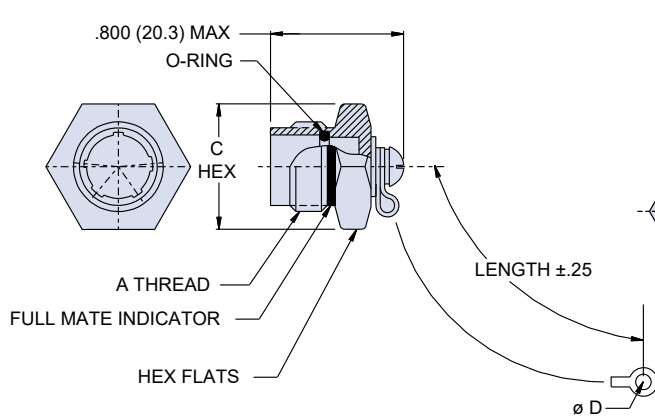
Table II: Attachment Code	
Omit for attachment Type N (No Attachment)	
 Small Ring	01 – .125 (3.2) I.D. 02 – .140 (3.6) I.D. 04 – .182 (4.6) I.D. 06 – .197 (5.0) I.D.
 Solid Ring	14 – .385 (9.8) I.D. 15 – .445 (11.3) I.D. 16 – .570 (14.5) I.D. 17 – .635 (16.1) I.D. 18 – .695 (17.7) I.D. 19 – .885 (22.5) I.D. 20 – 1.070 (27.2) I.D. 21 – 1.135 (28.8) I.D. 22 – 1.210 (30.7) I.D. 23 – 1.275 (32.4) I.D. 24 – 1.530 (38.9) I.D. 26 – .510 (13.0) I.D. 27 – .766 (19.5) I.D. 28 – 1.015 (25.8) I.D. 29 – .315 (8.0) I.D. 30 – 1.380 (35.1) I.D. 31 – .820 (20.8) I.D. 32 – .265 (6.7) I.D. 33 – .510 (13.0) I.D.



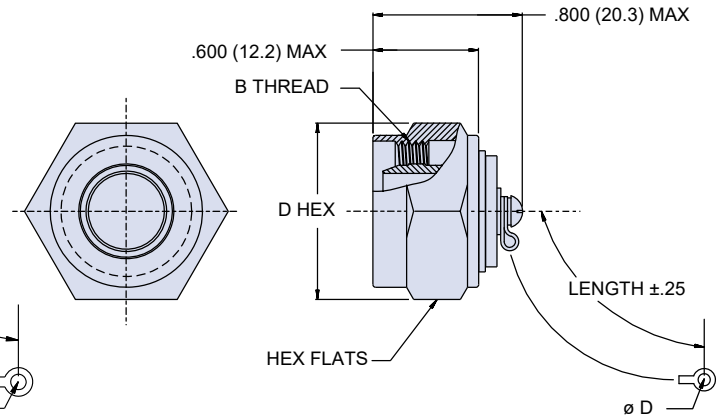
SERIES 80 MIGHTY MOUSE CONNECTORS Accessories, Backshells, and Tools



Series 802 AquaMouse™ Plug and Receptacle Submersible, 3500 PSI Metal Protective Cover







667-241 High-Pressure Plug Cover



667-242 High-Pressure Receptacle Cover

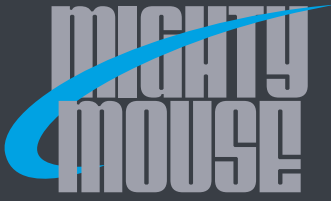
667-241 (Plug Cover) Dimensions				
Attachment Code	Shell Size	A Thread	C Hex.	
			In.	mm.
32	5	.4375-28 UNEF-2A	.500	12.70
14	6	.5625-20 UN-2A	.625	15.88
33	7	.6250-20 UN-2A	.688	17.48
16	8	.6875-20 UN-2A	.750	19.05
17	9	.7500-20 UNEF-2A	.812	20.62
17	10	.8125 20 UNEF-2A	.875	22.23
18	12	.8750-20 UNEF-2A	.938	23.83
19	14	1.0625-20 UN-2A	1.125	28.58
26	15	1.1250-20 UN-2A	1.188	30.18
23	21	1.4375-20 UN-2A	1.562	39.67

667-242 (Receptacle Cover) Dimensions				
Attachment Code	Shell Size	B Thread	D Hex	
			In.	mm.
33	5	.4375-28 UNEF-2B	.500	12.70
17	6	.5625-20 UN-2B	.625	15.88
18	7	.6250-20 UN-2B	.688	17.48
27	8	.6875-20 UN-2B	.750	19.05
31	9	.7500-20 UNEF-2B	.812	20.62
19	10	.8125-20 UNEF-2B	.875	22.23
26	12	.8750-20 UNEF-2B	.938	23.83
21	14	1.0625-20 UN-2B	1.125	28.58
22	15	1.1250-20 UN-2B	1.188	30.2
24	21	1.4375-20 UN-2B	1.562	39.7

Table V: Lanyard Options	
	-65° to +100°C., black, very flexible, very good abrasion resistance, good resistance to fuels, .120" (3mm) diameter
	Black polyurethane over stainless steel rope, -65° to +125°C., very flexible, excellent abrasion resistance, excellent resistance to fuels, .080" (2mm) diameter
	Translucent FEP jacket over stainless steel rope, -65° to +200°C., fair flexibility, good abrasion resistance, .100" diameter
	Stainless steel, #8 chain, .240" (6mm)

NOTES

- Materials and Finishes
 - Plug Cover: 316 Stainless Steel
 - Receptacle Cover: Nickel-Aluminum-Bronze.
 - Receptacle Shell: 316 Stainless Steel
 - Plug O-Ring: Viton
 - Receptacle Gasket: Fluorosilicone



SERIES 80 MIGHTY MOUSE CONNECTORS Accessories, Backshells, and Tools



Series 803 Mighty Mouse Plug and Receptacle 1/4 Turn Bayonet Metal Protective Cover



Protect Connectors From Damage

Machined aluminum covers prevent ingress of contamination and water.

Stainless Steel Fittings and Rings

Choose small diameter eye fittings for panel attachment. Larger rings fit under the jam nut or over cable jackets. Split rings can be installed on fully assembled cables.

Polyurethane-Coated SST Wire Rope offers high strength, excellent abrasion resistance and good flexibility or choose Fluoropolymer jacket for high temperature exposure.

Braided Nylon Rope

provides excellent flexibility and good abrasion resistance, and can be ordered with slip knot fittings for easy installation on any size cable.

How To Order

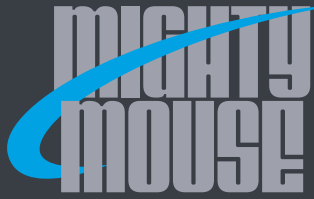
Sample Part Number	660-082	-M	S	12	04	-6
Series (See Table I)	660-082 = Plug Cover 660-083 = Receptacle Cover					
Shell Material / Finish	<p>C = Aluminum / Black Anodize (Non-Conductive) RoHS Compliant</p> <p>M = Aluminum / Electroless Nickel RoHS Compliant</p> <p>NF = Aluminum / Cadmium with Olive Drab Chromate</p> <p>ZN = Aluminum / Zinc-Nickel with Olive Drab Chromate</p> <p>UCR = Aluminum / Zinc-Cobalt with Black Chromate RoHS Compliant</p> <p>ZNU = Aluminum / Zinc-Nickel with Black Chromate</p> <p>MT = Aluminum / Nickel-PTFE RoHS Compliant</p> <p>Z1 = Stainless Steel / Passivated RoHS Compliant</p>					
Attachment Type	<p>D = Bead Chain, CRES, Passivate</p> <p>F = Wire Rope, Nylon Jacket</p> <p>G = Nylon Rope</p> <p>H = SST Wire Rope, Fluoropolymer Jacket</p> <p>N = No Attachment</p> <p>R = Wire Rope, PVC Jacket</p> <p>S = SST Sash Chain</p> <p>SK = Nylon Rope With Slip Knot</p> <p>T = SST Wire Rope, No Jacket</p> <p>U = SST Wire Rope, Polyurethane Jacket</p> <p>"SST" = Stainless Steel</p>					
Shell Size	5, 6, 7, 8, 9, 10, 12, 14, 15					
Attachment Code (See Table II)	Small Ring = 01 thru 06 Large Ring = 14 thru 33 Split Ring = 50 thru 68					
Attachment Length (inches)	Omit for attachment Type N (No Attachment) Example "-6" equals six inch length					

Table I: Cover Style

660-082 Bayonet Plug Cover	660-083 Bayonet Receptacle Cover

Table II: Attachment Code

Omit for attachment types N (No Attachment) and SK (Slip Knot)	
	01 - .126 (3.20) I.D.
	02 - .145 (3.68) I.D.
	04 - .188 (4.78) I.D.
	06 - .197 (5.00) I.D.
	14 - .385 (9.8)
	15 - .445 (11.3)
	16 - .570 (14.5)
	17 - .635 (16.1)
	18 - .695 (17.7)
	19 - .885 (22.5)
	20 - 1.070 (27.2)
	21 - 1.135 (28.8)
	22 - 1.210 (30.7)
	23 - 1.275 (32.4)
	25 - 1.530 (38.9)
	26 - .950 (24.1)
	27 - .766 (19.5)
	28 - 1.015 (25.8)
	29 - .315 (8.0)
	30 - 1.380 (35.1)
	31 - .820 (20.8)
	32 - .265 (6.7)
	33 - .510 (13.0)
52 - .480 (12.19) I.D.	
54 - .635 (16.13) I.D.	
56 - .745 (18.92) I.D.	
58 - .885 (22.48) I.D.	
60 - 1.010 (25.65) I.D.	
64 - 1.125 (28.58) I.D.	
68 - 1.345 (34.16) I.D.	

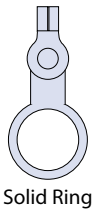
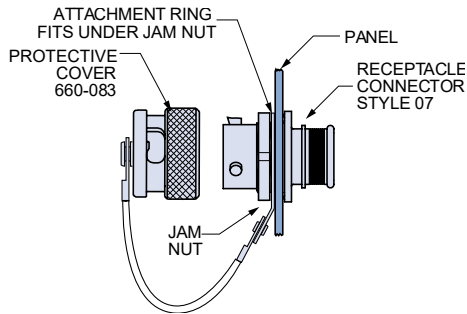


SERIES 80 MIGHTY MOUSE CONNECTORS Accessories, Backshells, and Tools



Series 803 Mighty Mouse Plug and Receptacle 1/4 Turn Bayonet Metal Protective Cover

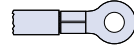
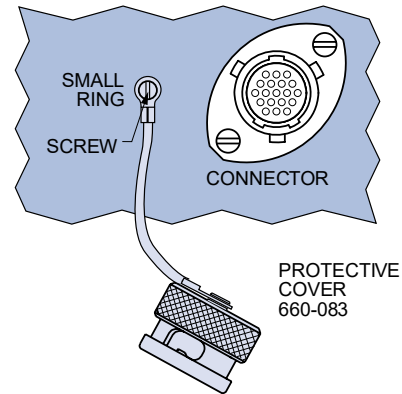
660-083 Cover Attachment to RPM Jam Nut Receptacle



Solid Ring

Attch. Code	Shell Size	Ring I.D.		Ring O.D.	
		In.	mm.	In.	mm.
		±.010	±0.25	±.015	± 0.38
14	5	.385	9.78	.51	12.95
15	6	.445	11.30	.57	14.48
16	7	.570	14.48	.69	17.53
17	8, 9	.635	16.13	.76	19.30
27	10	.766	19.46	.89	22.61
19	12	.885	22.48	1.01	25.65
20	14	1.070	27.18	1.20	30.48
21	15	1.135	28.83	1.25	31.75

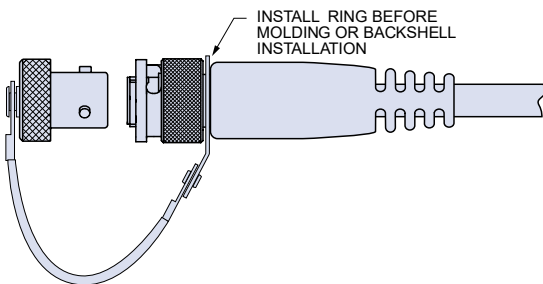
660-083 Cover Attachment to Panel



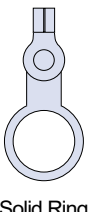
Small Ring for Attaching Receptacle Covers to a Panel with a Screw

Attch. Code	Screw Size	Ring I.D.		Ring O.D.	
		In.	mm.	In.	mm.
		±.005	±0.13	Max.	Max.
01	#4, M3	.126	3.20	.31	7.9
02	#6	.145	3.68	.31	7.9
04	#8, M4	.188	4.78	.31	7.9
06	#10	.197	5.00	.31	7.9

660-082 & 083 Cover Attachment to Cable Assembly



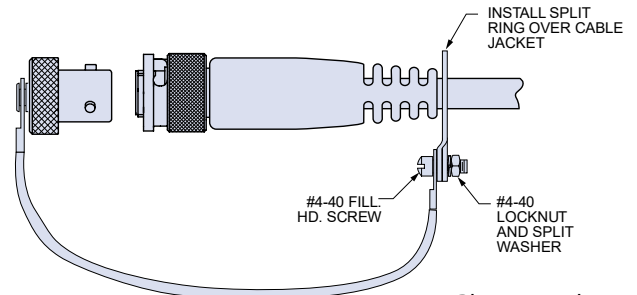
Plug cover shown



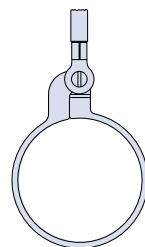
Solid Ring

Attch. Code	Shell Size	Ring I.D.		Ring O.D.	
		In.	mm.	In.	mm.
		±.010	±0.25	±.015	± 0.38
29	5	.315	8.00	.44	11.18
14	6	.315	8.00	.44	11.18
33	7, 8	.510	12.95	.62	15.75
16	9	.570	14.48	.69	17.53
17	10	.635	16.13	.76	19.30
18	12	.695	17.65	.82	20.83
26	14, 15	.950	24.13	1.14	28.96

660-082 & 083 Cover Attachment to Cable



Plug cover shown



Large Split Ring for Attaching Covers to Cables

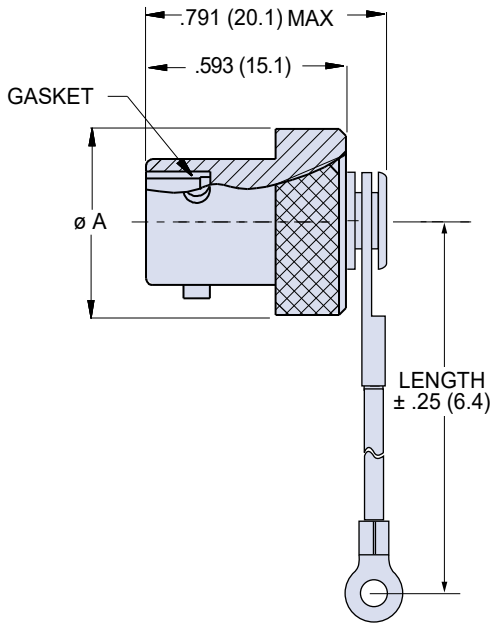
Attch. Code	Max. Cable Dia. (in.)	Ring Diameter			
		Min. ID		Max. OD	
		In.	mm.	In.	mm.
50	.410	.420	10.67	.580	14.73
52	.470	.480	12.19	.640	16.26
54	.625	.635	16.13	.796	20.22
56	.735	.745	18.92	.905	22.99
58	.875	.885	22.48	1.046	26.57
60	1.000	1.010	25.65	1.171	29.74
64	1.115	1.125	28.58	1.285	32.64
68	1.335	1.345	34.16	1.505	38.23



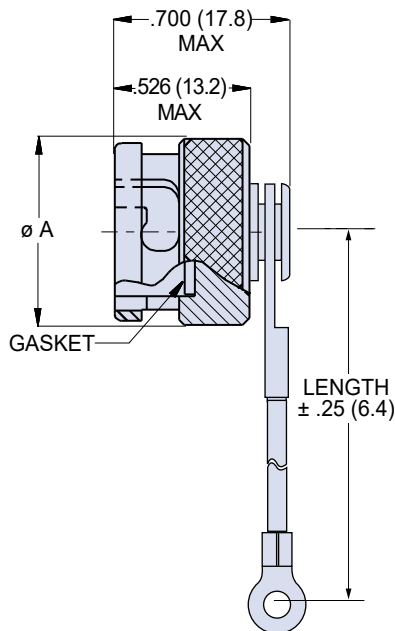
SERIES 80 MIGHTY MOUSE CONNECTORS Accessories, Backshells, and Tools



Series 803 Mighty Mouse Plug and Receptacle 1/4 Turn Bayonet Metal Protective Cover








Plug Cover
660-082



Receptacle Cover
660-083

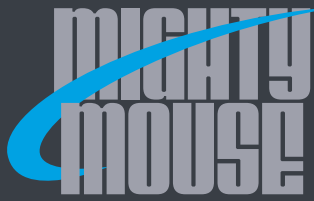
Dimensions		
Shell Size	Ø A Max.	
	In.	mm.
5	.620	15.7
6	.620	15.7
7	.620	15.7
8	.690	17.5
9	.760	19.3
10	.850	21.6
12	.940	23.8
14	1.170	29.7
15	1.170	29.7

Lanyard Options

 Nylon Rope (G)	-65° to +100°C., black, very flexible, very good abrasion resistance, good resistance to fuels, .120" (3mm) diameter
 Polyurethane Coated Wire Rope (U)	Black polyurethane over stainless steel rope, -65° to +125°C., very flexible, excellent abrasion resistance, excellent resistance to fuels, .080" (2mm) diameter
 Fluoropolymer Jacketed Wire Rope (H)	Translucent FEP jacket over stainless steel, -65° to +200°C., fair flexibility, good abrasion resistance, .100" diameter
 Sash Chain (S)	Stainless steel, #8 chain, .240" (6mm)
 Slip Knot (SK) for Attaching Covers to Cable	65° to +100°C., black, very flexible, very good abrasion resistance, good resistance to fuels, .120" (3mm) diameter. Length includes .5" (13mm) diameter loop.

NOTES

- Materials and Finishes
 - Cover: aluminum alloy or stainless steel
 - Gasket: fluorosilicone rubber
 - Wire, hardware: stainless steel, passivated



SERIES 80 MIGHTY MOUSE CONNECTORS Accessories, Backshells, and Tools



Series 804 Push-Pull Mighty Mouse Metal Protective, Receptacle Cover



Protect Connectors From Damage

Machined aluminum covers prevent ingress of contamination and water.

Stainless Steel Fittings and Rings

Choose small diameter eye fittings for panel attachment. Larger rings fit under the jam nut or over cable jackets. Split rings can be installed on fully assembled cables.

Polyurethane-Coated SST Wire Rope offers high strength, excellent abrasion resistance and good flexibility. Or, choose Fluoropolymer jacket for high temperature exposure.

Braided Nylon Rope provides excellent flexibility and good abrasion resistance, and can be ordered with slip knot fittings for easy installation on any size cable.

How To Order	
Sample Part Number	667-202 M 9 H 6 -14 R
Series (See Table I)	667-202 = Receptacle Cover
Shell Material / Finish	C = Aluminum / Black Anodize (Non-Conductive) RoHS Compliant M = Aluminum / Electroless Nickel RoHS Compliant NF = Aluminum / Cadmium with Olive Drab Chromate ZN = Aluminum / Zinc-Nickel with Olive Drab Chromate ZNU = Aluminum / Zinc-Nickel with Black Chromate MT = Aluminum / Nickel-PTFE RoHS Compliant Z1 = Stainless Steel / Passivated RoHS Compliant
Shell Size	5, 6, 7, 8, 9, 10, 11, 12, 14,
Attachment Type	D = Bead Chain, CRES, Passivate F = Wire Rope, Nylon Jacket G = Nylon Rope H = SST Wire Rope, Fluoropolymer Jacket N = No Attachment R = Wire Rope, PVC Jacket S = SST Sash Chain SK = Nylon Rope With Slip Knot T = SST Wire Rope, No Jacket U = SST Wire Rope, Polyurethane Jacket
Attachment Length (inches)	Omit for attachment Type N (No Attachment) Example: "-6" equals six inch length
Attachment Code (See Table II)	Small Ring = 01 thru 06 Large Ring = 14 thru 33 Split Ring = 50 thru 68
Pull Ring Option	R = Supplied with Pull Ring (Omit for none)

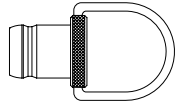

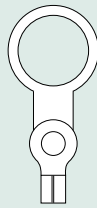

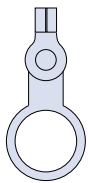
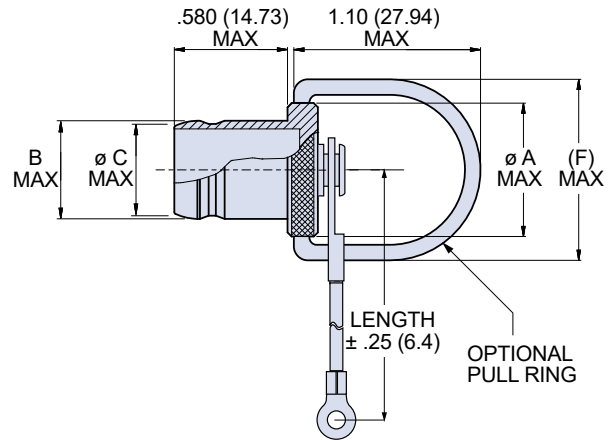
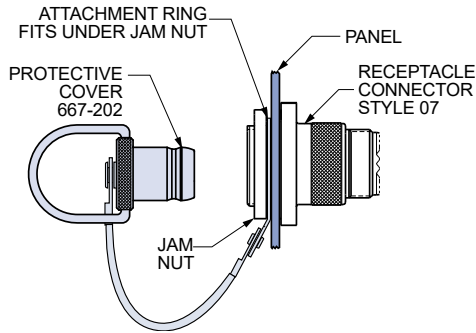
Table I: Cover Style

667-202 Push Pull Receptacle Cover with Pull Ring

Table II: Attachment Code	
Omit for attachment types N (No Attachment) and SK (Slip Knot)	
 Small Ring	-01 - .126 (3.20) I.D. -02 - .145 (3.68) I.D. -04 - .188 (4.78) I.D. -06 - .197 (5.00) I.D.
 Large Ring	-15 - .445 (11.3) I.D. -33 - .510 (13.0) I.D. -17 - .635 (16.1) I.D. -18 - .695 (17.7) I.D. -27 - .766 (19.4) I.D. -31 - .820 (20.) I.D. -19 - .885 (22.5) I.D. -28 - 1.015 (25.8) I.D. -20 - 1.135 (28.8) I.D.
 Split Ring	-50 - .420 (10.67) I.D. -52 - .480 (12.19) I.D. -54 - .635 (16.13) I.D. -56 - .745 (18.92) I.D. -58 - .885 (22.48) I.D. -60 - 1.010 (25.65) I.D. -64 - 1.125 (28.58) I.D. -68 - 1.345 (34.16) I.D.

Series 804 Push-Pull Mighty Mouse Metal Protective, Receptacle Cover

667-202 Cover Attachment to RPM Jam Nut Receptacle



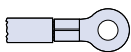
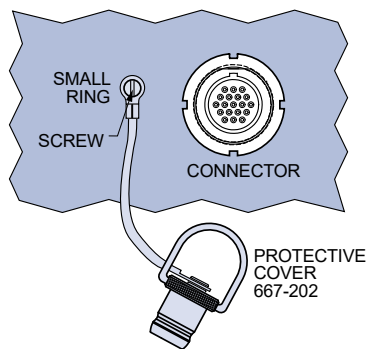
Solid Ring

Dia. Code	Shell Size	Ring I.D.		Ring O.D.	
		In.	mm.	In.	mm.
		±.010	±0.25	±.015	± 0.38
15	5	.445	11.30	.57	14.48
33	6	.510	12.95	.62	15.75
17	7, 8	.635	16.13	.76	19.30
18	9	.695	17.65	.82	20.83
27	10	.766	19.46	.89	22.61
31	11	.820	20.83	1.00	25.40
19	12	.885	22.48	1.01	25.65
28	14	1.015	25.78	1.20	30.48
20	15	1.070	27.18	1.20	30.48

Dimensions

Shell Size	Ø A Max.	Ø B	Ø C	F Max	Shell Size	Ø A Max.	Ø B	Ø C	F Max
5	.490 (12.45)	.234 (5.94)	.203 (5.16)	.74 (18.80)	10	.773 (19.63)	.548 (13.92)	.513 (13.03)	1.03 (26.16)
6	.490 (12.45)	.297 (7.54)	.266 (6.76)	.74 (18.80)	11	.805 (20.45)	.600 (15.24)	.569 (14.45)	1.06 (26.92)
7	.570 (14.48)	.367 (9.32)	.335 (8.51)	.82 (20.83)	12	.860 (21.84)	.658 (16.71)	.627 (15.93)	1.11 (28.19)
8	.614 (15.60)	.414 (10.52)	.383 (9.73)	.87 (22.10)	14	.980 (24.89)	.781 (19.84)	.749 (19.02)	1.23 (31.24)
9	.680 (17.27)	.467 (11.86)	.435 (11.05)	.92 (23.37)	15	1.045 (26.54)	.843 (21.41)	.811 (20.60)	1.30 (33.02)

667-202 Cover Attachment to Panel

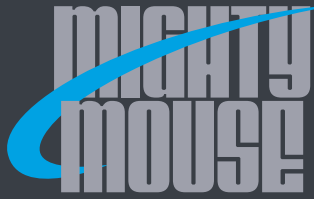


Small Ring for Attaching Receptacle Covers to a Panel with a Screw

Dia. Code	Screw Size	Ring I.D.		Ring O.D.	
		In.	mm.	In.	mm.
		±.005	±0.13	Max.	Max.
01	#4, M3	.126	3.20	.31	7.9
02	#6	.145	3.68	.31	7.9
04	#8, M4	.188	4.78	.31	7.9
06	#10	.197	5.00	.31	7.9

Lanyard Options

	Nylon Rope	-65° to +100°C., black, very flexible, very good abrasion resistance, good resistance to fuels, .120" (3mm) diameter
	Polyurethane Coated Wire Rope	Black polyurethane over stainless steel rope, -65° to +125°C., very flexible, excellent abrasion resistance, excellent resistance to fuels, .080" (2mm) diameter
	Fluoropolymer Jacketed Wire Rope	Translucent FEP jacket over stainless steel, -65° to +200°C., fair flexibility, good abrasion resistance, .100" diameter
	Sash Chain	Stainless steel, #8 chain, .240" (6mm)
	Slip Knot (SK) for Attaching Covers to Cable	65° to +100°C., black, very flexible, very good abrasion resistance, good resistance to fuels, .120" (3mm) diameter. Length includes .5" (13mm) diameter loop.



SERIES 80 MIGHTY MOUSE CONNECTORS Accessories, Backshells, and Tools



Series 804 Push-Pull Mighty Mouse Metal Protective, Plug Cover



809-198

Protect Connectors From Damage
Machined aluminum covers prevent ingress of contamination and water.

Stainless Steel Fittings and Rings
Choose small diameter eye fittings for panel attachment. Larger rings fit under the jam nut or over cable jackets. Split rings can be installed on fully assembled cables.

Polyurethane-Coated SST Wire Rope offers high strength, excellent abrasion resistance and good flexibility. Or, choose Fluoropolymer jacket for high temperature exposure.

Braided Nylon Rope provides excellent flexibility and good abrasion resistance, and can be ordered with slip knot fittings for easy installation on any size cable.

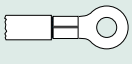
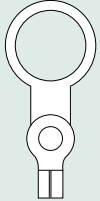

How To Order	
Sample Part Number	809-198 M 9 H 6 -14 A
Series (See Table I)	809-198 = Plug Cover
Shell Material / Finish	C = Aluminum / Black Anodize (Non-Conductive) RoHS Compliant M = Aluminum / Electroless Nickel RoHS Compliant NF = Aluminum / Cadmium with Olive Drab Chromate ZN = Aluminum / Zinc-Nickel with Olive Drab Chromate ZNU = Aluminum / Zinc-Nickel with Black Chromate MT = Aluminum / Nickel-PTFE RoHS Compliant Z1 = Stainless Steel / Passivated RoHS Compliant
Shell Size	5, 6, 7, 8, 9, 10, 11, 12, 14, 15
Attachment Type	D = Bead Chain, CRES, Passivate F = Wire Rope, Nylon Jacket G = Nylon Rope H = SST Wire Rope, Fluoropolymer Jacket N = No Attachment R = Wire Rope, PVC Jacket S = SST Sash Chain SK = Nylon Rope With Slip Knot T = SST Wire Rope, No Jacket U = SST Wire Rope, Polyurethane Jacket "SST" = Stainless Steel
Attachment Length (inches)	Omit for attachment Type N (No Attachment) Example: "-6" equals six inch length
Attachment Code (See Table II)	Small Ring = 01 thru 06 Large Ring = 14 thru 33 Split Ring = 50 thru 68
Alternate Key Position	Omit for master keyway only, for all other positions indicate A, B, C, D, E, or F

Table I: Cover Style



809-198
Push-Pull Plug Cover

Table II: Attachment Code

Omit for attachment Type N (No Attachment) and SK (Slip Knot)	
 Small Ring	-01 - .126 (3.20) I.D. -02 - .145 (3.68) I.D. -04 - .188 (4.78) I.D. -06 - .197 (5.00) I.D.
 Solid Ring	-32 - .265 (6.73) -29 - .315 (8.00) -14 - .385 (9.78) -33 - .510 (12.95) -15 - .445 (11.30) -16 - .570 (14.48) -17 - .635 (16.13) -18 - .695 (17.65) -27 - .766 (19.46) -26 - .950 (24.13) -31 - .820 (20.83) -28 - 1.015 (25.78) -20 - 1.070 (27.18) -21 - 1.135 (28.83)
 Split Ring	-50 - .420 (10.67) I.D. -52 - .480 (12.19) I.D. -54 - .635 (16.13) I.D. -56 - .745 (18.92) I.D. -58 - .885 (22.48) I.D. -60 - 1.010 (25.65) I.D. -64 - 1.125 (28.58) I.D. -68 - 1.345 (34.16) I.D.



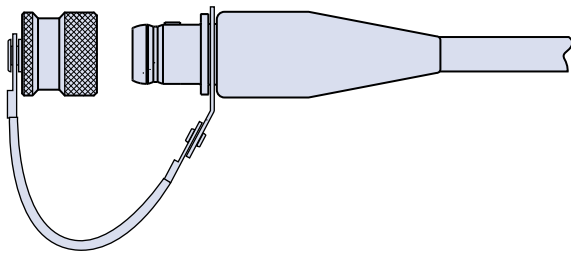
SERIES 80 MIGHTY MOUSE CONNECTORS Accessories, Backshells, and Tools



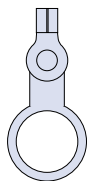
Series 804 Push-Pull Mighty Mouse Metal Protective, Plug Cover

809-198 Cover Attachment to Cable Assembly

Install cover onto the back of the connector before overmolding or backshell installation.



Plug cover shown

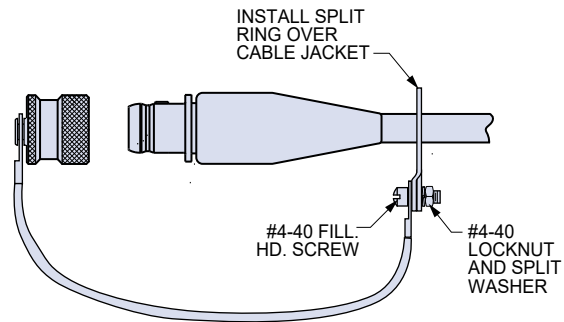


Solid Ring

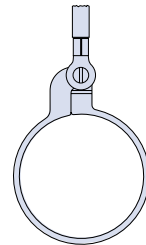
Dia. Code	Shell Size	Ring I.D.		Ring O.D.	
		In. ±.010	mm. ±0.25	In. ±.015	mm. ±0.38
29	5	.315	8.00	.44	11.18
14	6	.385	9.80	.51	13.00
33	7	.510	13.00	.62	15.70
16	9	.570	14.48	.69	17.53
17	10	.635	16.13	.76	19.30
27	11, 12	.766	19.50	.89	22.60
26	14, 15	.950	24.13	1.14	28.96

809-198 Cover Attachment to Cable

Split rings can be installed onto finished cables.

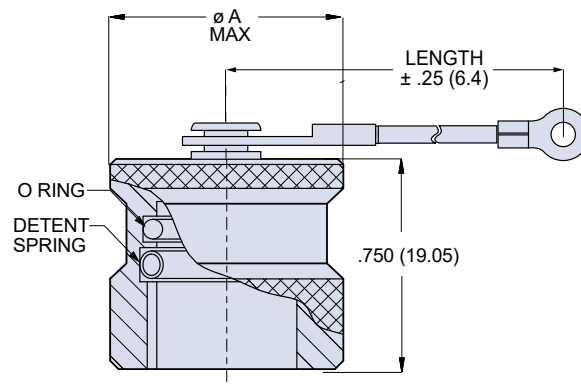


Plug cover shown

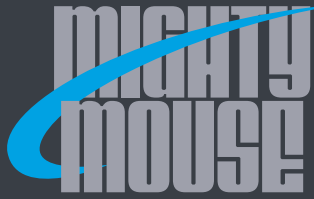


Large Split Ring for Attaching Covers to Cables

Dia. Code	Max. Cable Dia. (in.)	Ring Diameter			
		Min. ID		Max. OD	
In.	mm.	In.	mm.	In.	mm.
50	.410	.420	10.67	.580	14.73
52	.470	.480	12.19	.640	16.26
54	.625	.635	16.13	.796	20.22
56	.735	.745	18.92	.905	22.99
58	.875	.885	22.48	1.046	26.57
60	1.000	1.010	25.65	1.171	29.74
64	1.115	1.125	28.58	1.285	32.64
68	1.335	1.345	34.16	1.505	38.23



Dimensions					
Shell Size	Ø A Max.		Shell Size	Ø A Max.	
	In	mm		In	mm
5	.496	12.60	10	.790	20.07
6	.540	13.72	11	.835	21.21
7	.645	16.38	12	.915	23.24
8	.665	16.89	14	1.040	26.42
9	.720	18.29	15	1.100	27.94



SERIES 80 MIGHTY MOUSE CONNECTORS Accessories, Backshells, and Tools



Series 804 Mighty Mouse Plug and Receptacle Push-Pull, Rubber Protective Covers



809-083 Plug Cover



809-087 Receptacle Cover

Splash proof Molded Rubber Covers fit all Series 804 plugs and receptacles. Braided black nylon lanyard is available with metal rings, cable tie, or slipknot for attachment to panel or to cable.

How To Order						
Sample Part Number	809-083	-05	G	6	-SK	C
Series (See Table I)	809-083 = Plug Cover 809-087 = Receptacle Cover					
Shell Size	-05, -06, -07, -08, -09, -10, -11, -12, -14, -15					
Attachment Type	-G = Nylon Rope Omit = No Lanyard					
Attachment Length (inches)	Length in Inches					
Attachment Code (See Table II)	-WS = Nylon Cable Tie -SK = Slip Knot -SCS = Slip/Crimp Sleeve -00 = Lanyard with no Attachment Lug Terminal = -01 thru -06 Solid Ring = -14 thru -33					
Conductive Rubber	Omit for Standard Neoprene C = Conductive Rubber					

Table II: Attachment Code

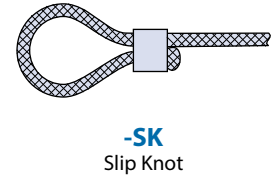
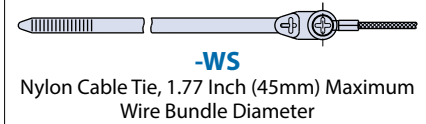
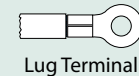


Table I: Series Style	
809-083 Push-Pull Receptacle Cover	809-087 Push-Pull Receptacle Cover

Lug Terminals and Rings



Lug Terminal

-01	-.126 (3.20) I.D.
-02	-.145 (3.68) I.D.
-05	-.188 (4.78) I.D.
-06	-.197 (5.00) I.D.



Solid Ring

-32	-.265 (6.73) I.D.
-29	-.315 (8.00) I.D.
-14	-.385 (9.78) I.D.
-15	-.445 (11.30) I.D.
-33	-.510 (12.95) I.D.
-16	-.570 (14.48) I.D.
-17	-.635 (16.13) I.D.
-18	-.695 (17.65) I.D.
-27	-.766 (19.46) I.D.
-31	-.820 (20.83) I.D.
-19	-.885 (22.48) I.D.
-26	-.950 (24.13) I.D.
-28	-1.015 (25.75) I.D.
-20	-1.070 (27.18) I.D.

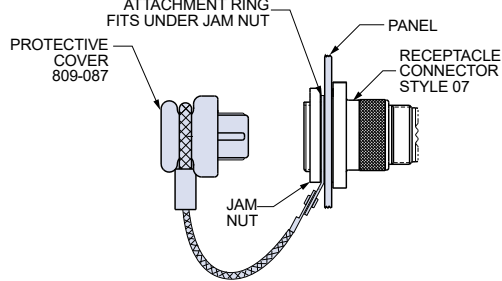


SERIES 80 MIGHTY MOUSE CONNECTORS Accessories, Backshells, and Tools



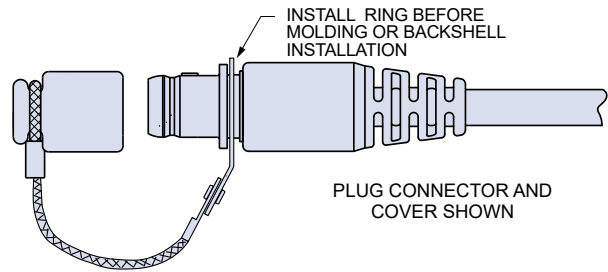
Series 804 Mighty Mouse Plug and Receptacle Push-Pull, Rubber Protective Covers

809-087 Cover Attachment to RPM Jam Nut Receptacle



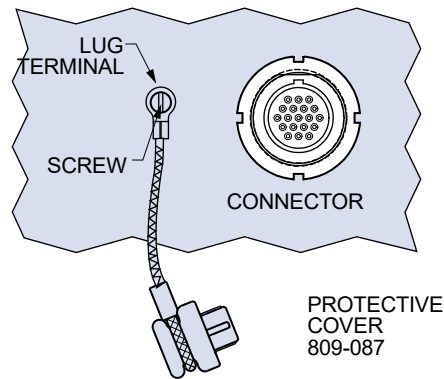
Solid Ring	Attch. Code	Shell Size	Ring I.D.		Ring O.D.	
			in.	mm.	in.	mm.
			± .010	± .025	± .015	± 0.38
	15	5	.445	11.30	.57	14.48
	33	6	.510	12.95	.62	15.75
	17	7,8	.635	16.13	.76	19.30
	18	9	.695	17.65	.82	20.83
	27	10	.766	19.46	.89	22.61
	31	11	.820	20.83	.94	23.88
	19	12	.885	22.48	1.01	25.65
	28	14	1.015	25.78	1.20	30.48
	20	15	1.070	27.18	1.20	30.48

809-083 & -087 Cover Attachment to Cable Assembly

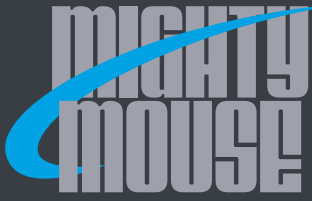


Solid Ring	Attch. Code	Shell Size	Ring I.D.		Ring O.D.	
			in.	mm.	in.	mm.
			± .010	±0.25	± .015	± 0.38
	29	5	.315	8.00	.440	11.20
	14	6	.385	9.80	.510	13.00
	33	7	.510	13.00	.620	15.70
	16	8,9	.570	14.48	.570	14.48
	17	10	.635	16.13	.635	16.13
	27	11, 12	.766	19.50	.890	22.60
	26	14, 15	.950	24.13	.950	24.13

809-087 Cover Attachment to Panel



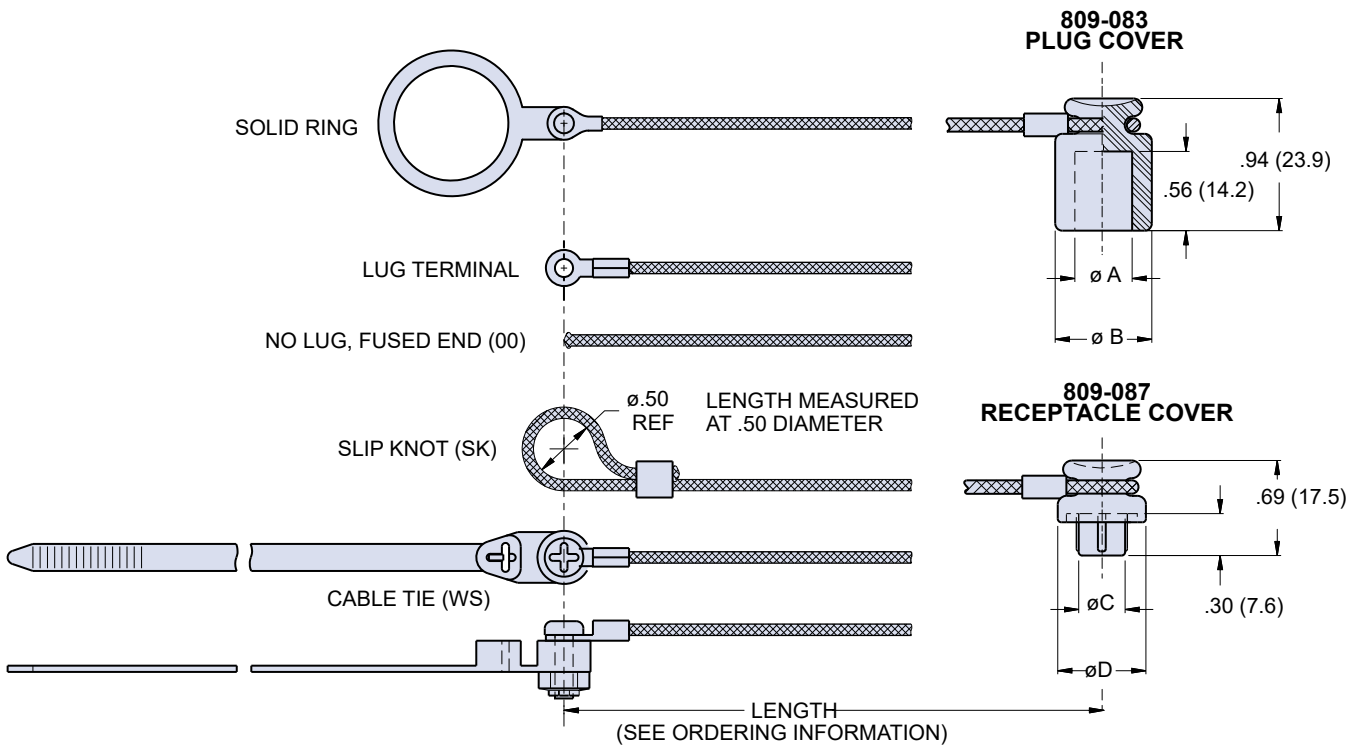
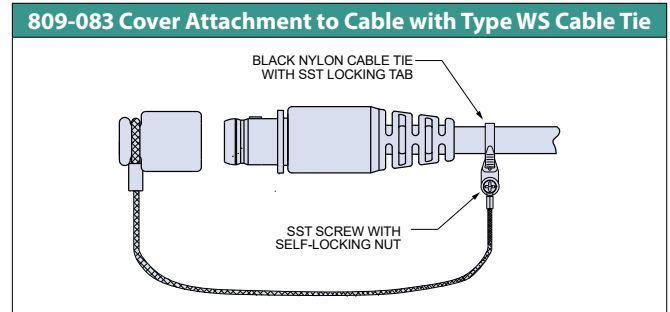
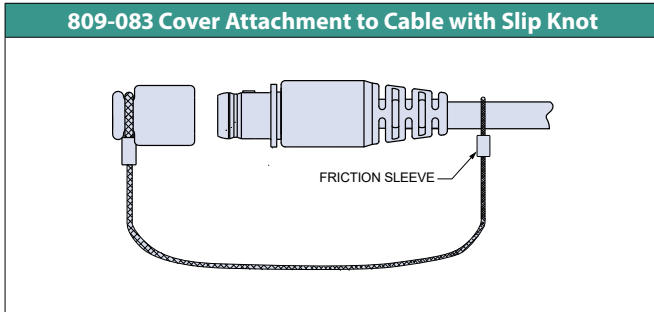
Lug Terminal for Attaching Receptacle Covers to a Panel with a Screw	Attch. Code	Shell Size	Ring I.D.		Ring O.D.	
			in.	mm.	In.	mm.
			±.005	±0.13	Max.	Max.
	01	#4, M3	.126	3.20	.31	7.9
	02	#6	.145	3.68	.31	7.9
	05	#8, M4	.188	4.78	.31	7.9
	06	#10	.197	5.00	.31	7.9



SERIES 80 MIGHTY MOUSE CONNECTORS Accessories, Backshells, and Tools



Series 804 Mighty Mouse Plug and Receptacle Push-Pull, Rubber Protective Covers



Dimensions								
Shell Size	Ø A		Ø B		Ø C		Ø D	
	In	mm	In	mm	In	mm	In	mm
5	.23	5.8	.56	14.2	.27	6.9	.59	15.0
6	.29	7.4	.56	14.2	.33	8.4	.65	16.5
7	.36	9.1	.56	14.2	.40	10.2	.78	19.8
8	.41	10.4	.68	17.3	.44	11.2	.78	19.8
9	.46	11.7	.68	17.3	.50	12.7	.84	21.3
10	.54	13.7	.79	20.1	.57	14.5	.90	22.9
11	.61	15.5	.94	23.9	.63	16.0	.96	24.4
12	.66	16.8	.94	23.9	.69	17.5	1.03	26.2
14	.78	19.8	1.11	28.2	.82	20.8	1.15	29.2
15	.84	21.3	1.11	28.2	.87	22.1	1.21	30.7

NOTES

1. Materials and Finishes
2. Cover: Neoprene rubber blend, black
3. Lanyard: .062" (1.57) diameter nylon cord, black
4. Cable Tie: 6/6 nylon, black, SST locking tab
5. Ring: Stainless steel, black zinc-cobalt finish



SERIES 80 MIGHTY MOUSE CONNECTORS Accessories, Backshells, and Tools



Series 805 Mighty Mouse Plug or Receptacle Triple-Start Metal Protective Covers



667-261



667-262

Protect Connectors From Damage
Machined aluminum or stainless steel protective covers have fluorosilicone gasket for a watertight fit.

Stainless Steel Fittings and Rings
Choose small diameter eye fittings for panel attachment. Larger rings fit under the jam nut or over cable jackets. Split rings can be installed on fully assembled cables.

Polyurethane-Coated SST Wire Rope
provide resistance and good flexibility. Or, choose a Fluoropolymer jacket for high temperature exposure.

Braided Nylon Rope provides excellent flexibility and good abrasion resistance, and can be ordered with slip knot fittings for easy installation on any size cable.

Table I: Cover Style

667-261 Plug Cover	667-262 Receptacle Cover

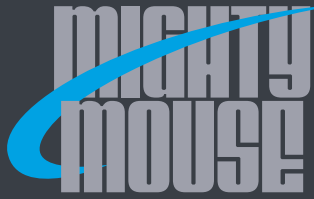
Table II: Attachment Code

Omit for attachment types N (No Attachment) and SK (Slip Knot)	
	01 - .126 (3.20) I.D. 02 - .145 (3.68) I.D. 04 - .188 (4.78) I.D. 06 - .197 (5.00) I.D.
	14 - .385 (9.78) I.D. 15 - .445 (11.30) I.D. 16 - .570 (14.48) I.D. 17 - .635 (16.13) I.D. 18 - .695 (17.65) I.D. 19 - .885 (22.48) I.D. 20 - 1.070 (27.17) I.D. 22 - 1.210 (30.73) I.D. 23 - 1.275 (32.39) I.D. 25 - 1.530 (38.86) I.D. 26 - .950 (24.13) I.D. 27 - .766 (19.46) I.D. 28 - 1.015 (25.78) I.D. 29 - .315 (8.0) I.D. 30 - 1.380 (35.05) I.D. 31 - .820 (20.83) I.D. 32 - .265 (6.7) I.D. 33 - .510 (12.95) I.D.
	50 - .420 (10.67) I.D. 52 - .480 (12.19) I.D. 54 - .635 (16.13) I.D. 56 - .745 (18.92) I.D. 58 - .885 (22.48) I.D. 60 - 1.010 (25.65) I.D. 64 - 1.125 (28.58) I.D. 68 - 1.345 (34.16) I.D.

How To Order

Sample Part Number	667-262 -M -G 9 04 -6
Series (See Table I)	667-261 = Plug Cover 667-262 = Receptacle Cover
Shell Material / Finish	C = Aluminum / Black Anodize (Non-Conductive) RoHS Compliant M = Aluminum / Electroless Nickel RoHS Compliant NF = Aluminum / Cadmium with Olive Drab Chromate ZNU = Aluminum / Zinc-Nickel with Black Chromate MT = Aluminum / Nickel-PTFE RoHS Compliant Z1 = Stainless Steel / Passivated RoHS Compliant
Attachment Type	D = Bead Chain, CRES, Passivate F = Wire Rope, Nylon Jacket G = Nylon Rope H = SST Wire Rope, Fluoropolymer Jacket N = No Attachment R = Wire Rope, PVC Jacket S = SST Sash Chain SK = Nylon Rope With Slip Knot T = SST Wire Rope, No Jacket U = SST Wire Rope, Polyurethane Jacket "SST" = Stainless Steel
Shell Size	8, 9, 10, 11, 12, 13, 15, 18, 19, 21, 23
Attachment Code (See Table II)	Small Ring = 01 thru 06 Large Ring = 14 thru 33 Split Ring = 50 thru 68
Attachment Length (inches)	Omit for attachment Type N (No Attachment) Example "-6" equals six inch length

ACCESSORIES, BACKSHELLS, AND TOOLS



SERIES 80 MIGHTY MOUSE CONNECTORS Accessories, Backshells, and Tools



Series 805 Mighty Mouse Plug or Receptacle Triple-Start Metal Protective Covers

667-262 Cover Attachment to RPM Jam Nut Receptacle

Atch. Code	Shell Size	Ring I.D.		Ring O.D.	
		In.	mm.	In.	mm.
		±.010	±0.25	±.015	± 0.38
16	8	.570	14.48	.69	17.53
18	9, 10	.695	17.65	.82	20.83
27	11	.766	19.46	.89	22.61
31	12	.820	20.83	1.00	25.40
19	13	.885	22.48	1.01	25.65
28	15	1.015	25.78	1.20	30.48
22	18	1.210	30.73	1.31	33.27
23	19	1.275	32.39	1.37	34.80
30	21	1.380	35.05	1.48	37.59
25	23	1.530	38.86	1.63	41.40

Solid Ring

667-262 Cover Attachment to Panel

Atch. Code	Screw Size	Ring I.D.		Ring O.D.	
		In.	mm.	In.	mm.
		±.005	±0.13	Max.	Max.
01	#4, M3	.126	3.20	.31	7.9
02	#6	.145	3.68	.31	7.9
04	#8, M4	.188	4.78	.31	7.9
06	#10	.197	5.00	.31	7.9

Small Ring for Attaching Receptacle Covers to a Panel with a Screw

667-261 & -262 Cover Attachment to Cable Assembly

Atch. Code	Shell Size	Ring I.D.		Ring O.D.	
		In.	mm.	In.	mm.
		±.010	±0.25	±.015	± 0.38
14	8	.385	9.78	.51	12.95
33	9	.510	12.95	.62	15.75
16	10, 11	.570	14.48	.69	17.53
17	12	.635	16.13	.76	19.30
27	13, 15	.766	19.46	.89	22.61
26	18, 19	.950	24.13	1.14	28.96
20	21	1.070	27.18	1.20	30.48
22	23	1.210	30.73	1.31	33.27

Solid Ring

667-261 Cover Attachment to Cable

Atch. Code	Max. Cable Dia. (in.)	Ring Diameter			
		Min. ID		Max. OD	
		In.	mm.	In.	mm.
50	.410	.420	10.67	.580	14.73
52	.470	.480	12.19	.640	16.26
54	.625	.635	16.13	.796	20.22
56	.735	.745	18.92	.905	22.99
58	.875	.885	22.48	1.046	26.57
60	1.000	1.010	25.65	1.171	29.74
64	1.115	1.125	28.58	1.285	32.64
68	1.335	1.345	34.16	1.505	38.23

Large Split Ring for Attaching Covers to Cables

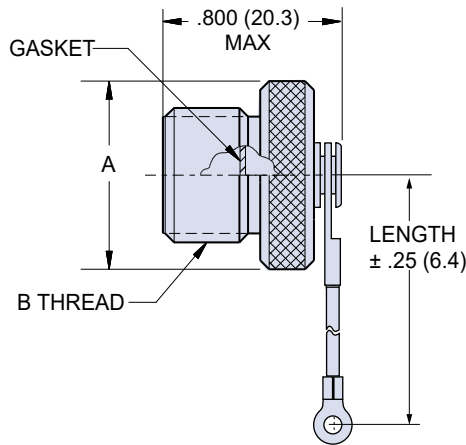


SERIES 80 MIGHTY MOUSE CONNECTORS Accessories, Backshells, and Tools



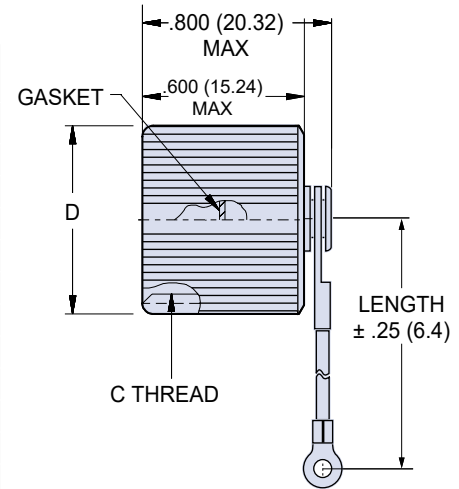
Series 805 Mighty Mouse Plug or Receptacle Triple-Start Metal Protective Covers

Shell Size	A ±.015 (.38)	
	In.	mm.
8	.653	16.59
9	.715	18.16
10	.778	19.76
11	.841	21.36
12	.903	22.94
13	.965	24.51
15	1.091	27.71
18	1.278	32.46
19	1.340	34.04
21	1.490	37.85
23	1.600	40.64



667-261 Plug Cover

Shell Size	D ±.015 (.38)	
	In.	mm.
8	.653	16.59
9	.715	18.16
10	.778	19.76
11	.850	21.59
12	.903	22.94
13	.965	24.51
15	1.091	27.71
18	1.278	32.46
19	1.340	34.04
21	1.490	37.85
23	1.600	40.64



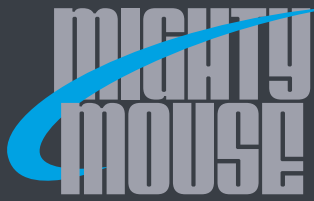
667-262 Receptacle Cover

Dimensions		
Shell Size	B Thread	C Thread
8	.5000-.1P-.3L-TS-2A	.5000-.1P-.3L-TS-2B
9	.5625-.1P-.3L-TS-2A	.5625-.1P-.3L-TS-2B
10	.6250-.1P-.3L-TS-2A	.6250-.1P-.3L-TS-2B
11	.6875-.1P-.3L-TS-2A	.6875-.1P-.3L-TS-2B
12	.7500-.1P-.3L-TS-2A	.7500-.1P-.3L-TS-2B
13	.8125-.1P-.3L-TS-2A	.8125-.1P-.3L-TS-2B
15	.9375-.1P-.3L-TS-2A	.9375-.1P-.3L-TS-2B
18	1.1250-.1P-.3L-TS-2A	1.1250-.1P-.3L-TS-2B
19	1.1870-.1P-.3L-TS-2A	1.1870-.1P-.3L-TS-2B
21	1.3125-.1P-.3L-TS-2A	1.3125-.1P-.3L-TS-2B
23	1.4375-.1P-.3L-TS-2A	1.4375-.1P-.3L-TS-2B

NOTES

1. Materials and Finishes
2. Cover: Aluminum alloy or stainless steel
3. Gasket: Fluorosilicone rubber
4. Wire, Hardware: Stainless steel, passivated

Lanyard Options	
<p>Nylon Rope</p>	-65° to +100°C., black, very flexible, very good abrasion resistance, good resistance to fuels, .120" (3mm) diameter
<p>Polyurethane Coated Wire Rope</p>	Black polyurethane over stainless steel rope, -65° to +125°C., very flexible, excellent abrasion resistance, excellent resistance to fuels, .080" (2mm) diameter
<p>Fluoropolymer Jacketed Wire Rope</p>	Translucent FEP jacket over stainless steel, -65° to +200°C., fair flexibility, good abrasion resistance, .100" diameter
<p>Sash Chain</p>	Stainless steel, #8 chain, .240" (6mm)
<p>Slip Knot (SK) for Attaching Covers to Cable</p>	65° to +100°C., black, very flexible, very good abrasion resistance, good resistance to fuels, .120" (3mm) diameter. Length includes .5" (13mm) diameter loop.



SERIES 80 MIGHTY MOUSE CONNECTORS Accessories, Backshells, and Tools



Series 805 Mighty Mouse Triple-Start Locking Ratchet Type Receptacle Cover



809-200

Protect Connectors From Damage
Machined aluminum or stainless steel protective covers have fluorosilicone gasket for a watertight fit.

Stainless Steel Fittings and Rings
Choose small diameter eye fittings for panel attachment. Larger rings fit under the jam nut or over cable jackets. Split rings can be installed on fully assembled cables.

Polyurethane-Coated SST Wire Rope
provide resistance and good flexibility. Or, choose a Fluoropolymer jacket for high temperature exposure.

Braided Nylon Rope provides excellent flexibility and good abrasion resistance, and can be ordered with slip knot fittings for easy installation on any size cable.

How To Order	
Sample Part Number	809-200 -M -S 12 04 -6
Series (See Table I)	809-200 = Receptacle Cover
Shell Material / Finish	<p>C = Aluminum / Black Anodize (Non-Conductive) RoHS Compliant</p> <p>M = Aluminum / Electroless Nickel RoHS Compliant</p> <p>NF = Aluminum / Cadmium with Olive Drab Chromate</p> <p>ZN = Aluminum / Zinc-Nickel with Olive Drab Chromate</p> <p>Z1 = Stainless Steel / Passivated RoHS Compliant</p> <p>ZB = Stainless Steel / Olive Drab Chromate over Cadmium</p> <p>ZC = Stainless Steel / Zinc Cobalt Alloy/ Black Chromate</p> <p>ZNU = Aluminum / Black over Electroless Nickel</p>
Attachment Type	<p>-G = Nylon Rope</p> <p>-H = SST Wire Rope, Fluoropolymer Jacket</p> <p>-N = No Attachment</p> <p>-S = SST Sash Chain</p> <p>-SK = Nylon Rope with Slip Knot</p> <p>-T = SST Wire Rope, No Jacket</p> <p>-U = SST Wire Rope, Polyurethane Jacket</p> <p>"SST" = Stainless Steel</p>
Shell Size (See Table III)	8, 9, 10, 11, 12, 13, 15, 18, 19, 21, 23
Attachment Code (See Table II)	<p>Small Ring = 01 thru 06</p> <p>Large Ring = 14 thru 33</p> <p>Split Ring = 50 thru 68</p>
Attachment Length (inches)	Omit for attachment Type N (No Attachment) Example "-6" equals six inch length

Table I: Cover Style
809-200 Receptacle Cover

Table II: Attachment Code	
Omit for attachment types N (No Attachment) and SK (Slip Knot)	
<p>Small Ring</p>	<p>01 - .125 (3.2) I.D.</p> <p>02 - .140 (3.6) I.D.</p> <p>04 - .182 (4.6) I.D.</p> <p>06 - .197 (5.0) I.D.</p>
<p>Large Ring</p>	<p>16 - .570 (14.5) I.D.</p> <p>18 - .695 (17.7) I.D.</p> <p>27 - .766 (19.46) I.D.</p> <p>31 - .820 (20.83) I.D.</p> <p>19 - .885 (22.5) I.D.</p> <p>28 - 1.015 (25.78) I.D.</p> <p>22 - 1.210 (30.7) I.D.</p> <p>23 - 1.275 (32.4) I.D.</p> <p>30 - 1.380 (35.05) I.D.</p> <p>25 - 1.530 (38.86) I.D.</p>
<p>Split Ring</p>	<p>50 - .432 (11.0) I.D.</p> <p>52 - .492 (12.5) I.D.</p> <p>54 - .648 (16.5) I.D.</p> <p>56 - .757 (19.2) I.D.</p> <p>58 - .898 (22.8) I.D.</p> <p>60 - 1.023 (26.0) I.D.</p> <p>64 - 1.137 (28.9) I.D.</p> <p>68 - 1.357 (34.5) I.D.</p>

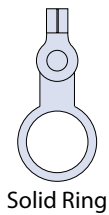
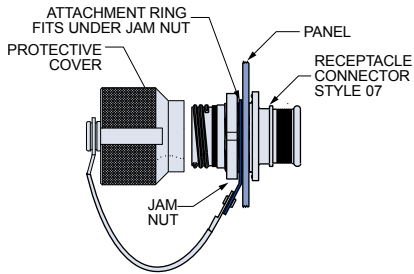


SERIES 80 MIGHTY MOUSE CONNECTORS Accessories, Backshells, and Tools



Series 805 Mighty Mouse Triple-Start Locking Ratchet Type Receptacle Cover

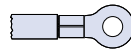
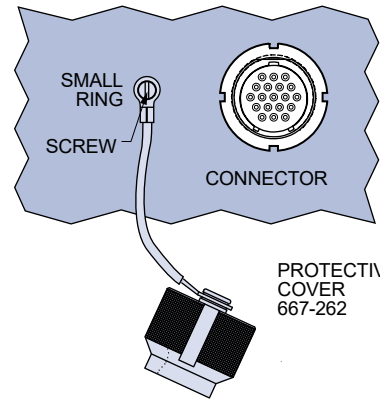
809-200 Cover Attachment to RPM Jam Nut Receptacle



Solid Ring

Dia. Code	Shell Size	Ring I.D.		Ring O.D.	
		In.	mm.	In.	mm.
		±.010	±0.25	±.015	± 0.38
16	8	.570	14.48	.69	17.53
18	9, 10	.695	17.65	.85	21.59
27	11	.766	19.46	.89	22.61
31	12	.820	20.83	1.00	25.40
19	13	.885	22.48	1.01	25.65
28	15	1.015	25.78	1.20	30.48
22	18	1.210	30.73	1.31	33.27
23	19	1.275	32.39	1.37	34.80
30	21	1.395	35.43	1.52	38.61
25	23	1.530	38.86	1.63	41.40

809-200 Cover Attachment to Panel



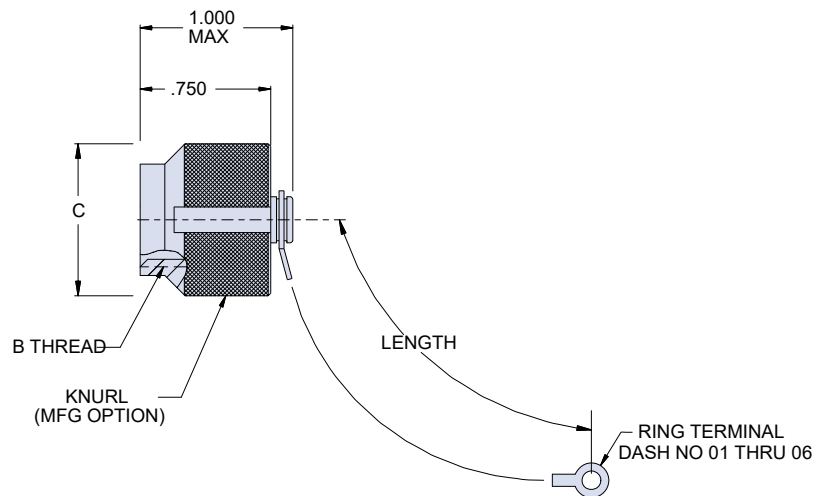
Small Ring for attaching receptacle covers to a panel with a screw

Dia. Code	Screw Size	Ring I.D.		Ring O.D.	
		±.005	±0.13	In. Max.	mm. Max.
01	#4, M3	.125	3.20	.30	7.6
02	#6	.140	3.60	.30	7.6
04	#8, M4	.182	4.60	.30	7.6
06	#10	.197	5.00	.30	7.6

ACCESSORIES, BACKSHELLS, AND TOOLS

Table II: Dimensions

Shell Size	B Thread	C	
		In.	mm.
8	.5000-.1P-.3L-TS-2B	.69	17.53
9	.5625-.1P-.3L-TS-2B	.79	20.07
10	.6250-.1P-.3L-TS-2B	.827	21.01
11	.6875-.1P-.3L-TS-2B	.918	23.32
12	.7500-.1P-.3L-TS-2B	.984	24.99
13	.8125-.1P-.3L-TS-2B	1.047	26.59
15	.9375-.1P-.3L-TS-2B	1.098	27.89
18	1.1250-.1P-.3L-TS-2B	1.287	32.69
19	1.1875-.1P-.3L-TS-2B	1.311	33.30
21	1.3125-.1P-.3L-TS-2B	1.448	36.78
23	1.4375-.1P-.3L-TS-2B	1.562	39.67



SPRING-ACTION PROTECTIVE COVERS



LEONARDO'S
PROSEAL
spring-action protective covers

IP67 and IP68 environmental protective connector covers for frequent mate/demate applications in military defense / aerospace.

High-performance military and commercial interconnect applications employ protective covers to seal unmated receptacles from sand, dust, and fluid ingress, as well as other forms of environmental and mechanical damage. ProSeal spring-action environmental protective covers are attached directly to panels and electronic equipment housings to enhance the reliability and foolproof performance of mounted I/O connectors—particularly in applications that see a high number of mate/demate cycles. Spring-action ProSeal protective covers are available for every military QPL and Glenair signature connector series, and are supplied in two styles for dust, spray, and fluid immersion protection (IP67) as well as for full environmental (water jet) and immersion applications (IP68).



- **Anti-vibration and shock spring-action performance**
- **Dust- and spray-tight (IP67) and full environmental (IP68) designs with self-aligning environmental seals**
- **Jam nut and wall mount receptacle configurations**
- **Positive spring-action in closed position, locks open for convenient mate/demate**
- **Compatible with a broad range of mil-standard/ aerospace connectors including D38999 Series I, II, III; Mighty Mouse Series 801, 804, 805, and 806; M24308 and more**



SERIES 80 MIGHTY MOUSE CONNECTORS Accessories, Backshells, and Tools



Spring action ProSeal™ environmental connector covers for mission-critical mil-aero applications

ROBUST ENVIRONMENTAL SEALING



Self-aligning gimbal-action face seal



Anti-vibration and shock spring-action performance



Full environmental threaded / twist-lock seal

RUGGED MECHANICAL PERFORMANCE



Dual-action mechanism: cover locks in open position and holds tight in closed position



ProSeal cover shares connector mounting holes and hardware



Jam nut and wall mount configurations available in all styles

VERSATILITY OF DESIGN



Suitable for all circular designs including commercial USB / RJ45 interfaces

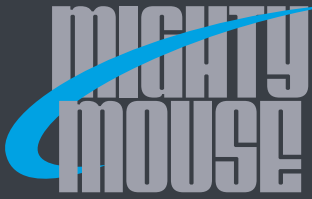


Rectangular connector designs with convenient thumb tabs



Low-profile non-locking designs for use with recessed quick-disconnect connectors

ACCESSORIES, BACKSHELLS, AND TOOLS



SERIES 80 MIGHTY MOUSE CONNECTORS Accessories, Backshells, and Tools



Series 801 Mighty Mouse Pressure Seal, Dust and Immersion Resistant, ProSeal™ Covers



How to Order 667-497						
Sample Part Number		667-497	NF	10	T1	W
Series	ProSeal protective cover for Series 801 Mighty Mouse connectors					
Material / Finish	See Table II					
Shell Size	See Table I					
Panel Thickness	See Table III					
Type of Mounting	W = Wall Mount Receptacle					

- Pressure seal, dust and immersion resistant
- Self-aligning
- Positive spring-action in closed position. Locks open at approximately 120° from receptacle face.

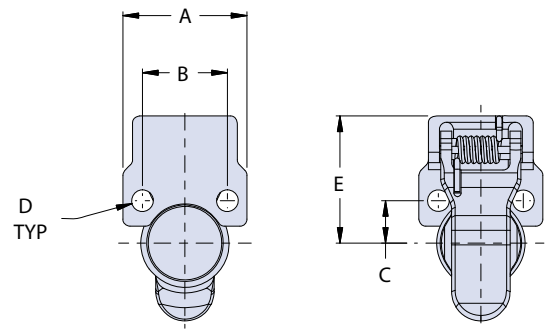


Table I: Dimensions										
Shell Size	Wall Mount									
	A Dim		B Dim		C Dim		D ±.002 (.05)		E ±.031 (.79)	
	in	mm	in	mm	in	mm	in	mm	in	mm
8	.712	18.08	.545	13.84	.273	6.93	.094	2.39	.651	16.54
9	.851	21.62	.607	15.42	.304	7.72	.128	3.25	.724	18.39
10	.890	22.61	.670	17.02	.335	8.51	.128	3.25	.758	19.25
11	.935	23.75	.715	18.16	.358	9.09	.128	3.25	.781	19.84
13	1.030	26.16	.812	20.62	.406	10.31	.128	3.25	.850	21.59
16	1.219	30.96	.981	24.92	.491	12.47	.128	3.25	1.012	25.70
17	1.280	32.51	1.060	26.92	.530	13.46	.128	3.25	1.043	26.49
19	1.432	36.37	1.191	30.25	.596	15.14	.128	3.25	1.043	26.49
21	1.565	39.75	1.322	33.58	.661	16.79	.128	3.25	1.151	29.24

Consult factory for additional shell sizes

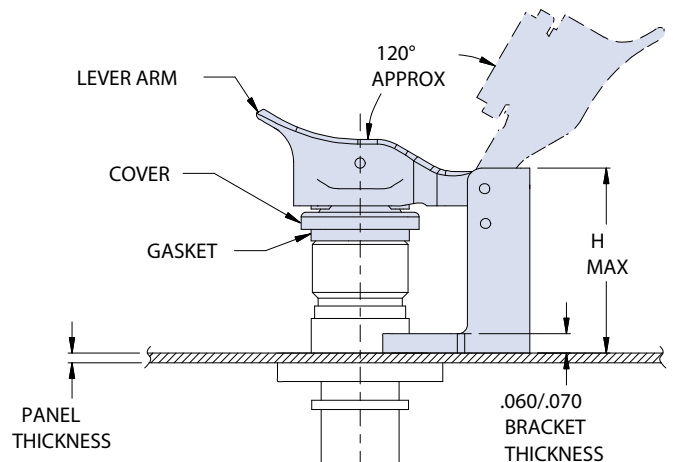


Table II: Material and Finish		
Sym	Material	Finish
MT	Aluminum	Nickel-PTFE
ZR		Zinc-Nickel, Black (Tri-Valent CR)
M		Electroless Nickel
NF		Cad Plate / Olive Drab over Electroless Nickel
C		Anodize / Black
UC		Zinc Cobalt / Black

Table III: Panel Thickness					
Dash No.	Panel Thickness*		Shell Size	H Max	
	in	mm		in	mm
T0	.000	.00	5-8	.593	15.06
			9-21	.692	17.58
T1	.062	1.57	5-8	.531	13.49
			9-21	.630	16.00

*Cover fits nominally onto panel with .062" (1.57mm) thickness, but will also work for panels as thin as .031" (.79mm)

MATERIAL / FINISH

- Cover, Lever Arm, Gimbal - Thermoplastic / Black
- Bracket - see Table II
- Spring / Pin / Rivet - 300 Series SST / Passivate
- Sleeve - Delrin
- Gasket - Silicone (optional)



SERIES 80 MIGHTY MOUSE CONNECTORS Accessories, Backshells, and Tools



Series 801 Mighty Mouse Threaded Closure, Full Environmental, ProSeal™ Covers



How to Order 667-509					
Sample Part Number	667-509	NF	10	T1	W
Series	ProSeal protective cover for Series 801 Mighty Mouse connectors				
Material / Finish	See Table II				
Shell Size	See Table I				
Panel Thickness	See Table III				
Type of Mounting	W = Wall Mount Receptacle				

- Threaded closure
- Full environmental protection
- Self-aligning
- Positive spring-action in closed position. Locks open at approximately 120° from receptacle face.

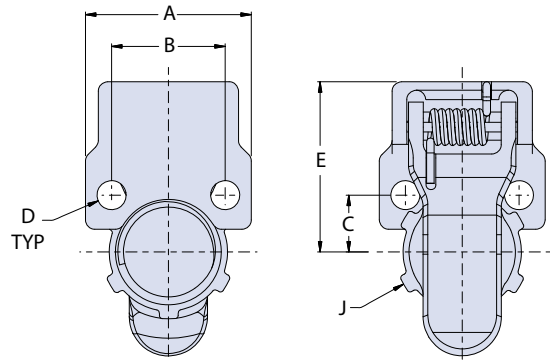


Table I: Dimensions												
Shell Size	Wall Mount											
	A Dim		B Dim		C Dim		D ±.002 (.05)		E ±.031 (.79)		J Dia max	
	in	mm	in	mm	in	mm	in	mm	in	mm	in	mm
8	.712	18.08	.545	13.84	.273	6.93	.094	2.39	.651	16.54	.651	16.54
9	.851	21.62	.607	15.42	.304	7.72	.128	3.25	.724	18.39	.710	18.03
10	.890	22.61	.670	17.02	.335	8.51	.128	3.25	.758	19.25	.776	19.71
11	.935	23.75	.715	18.16	.358	9.09	.128	3.25	.781	19.84	.842	21.39
13	1.030	26.16	.812	20.62	.406	10.31	.128	3.25	.850	21.59	.968	24.59
16	1.219	30.96	.981	24.92	.491	12.47	.128	3.25	1.012	25.70	1.158	29.41
17	1.280	32.51	1.060	26.92	.530	13.46	.128	3.25	1.043	26.49	1.217	30.91
19	1.432	36.37	1.191	30.25	.596	15.14	.128	3.25	1.043	26.49	1.344	34.14
21	1.565	39.75	1.322	33.58	.661	16.79	.128	3.25	1.151	29.24	1.469	37.31

Consult factory for additional shell sizes

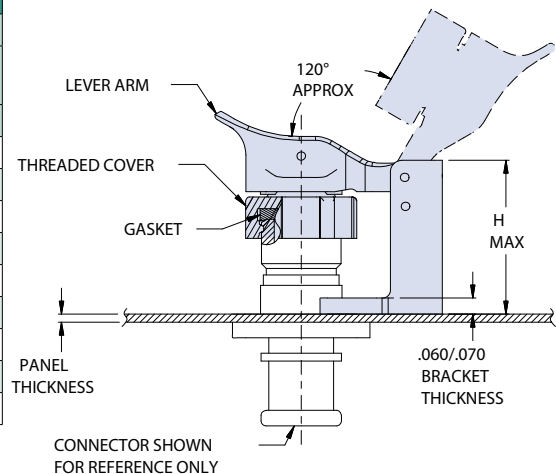


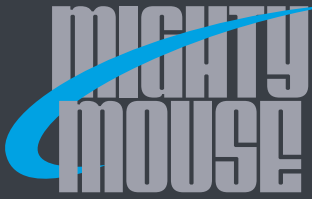
Table II: Material and Finish		
Sym	Material	Finish
MT	Aluminum	Nickel-PTFE
ZR		Zinc-Nickel, Black (Tri-Valent CR)
M		Electroless Nickel
NF		Cad Plate / Olive Drab over Electroless Nickel
C		Anodize / Black
UC		Zinc Cobalt / Black

Table III: Panel Thickness					
Dash No.	Panel Thickness*		Shell Size	H Max	
	in	mm		in	mm
T0	.000	.00	5-8	.593	15.06
			9-21	.692	17.58
T1	.062	1.57	5-8	.531	13.49
			9-21	.630	16.00

*Cover fits nominally onto panel with .062" (1.57mm) thickness, but will also work for panels as thin as .031" (.79mm)

MATERIAL / FINISH

- Cover, Lever Arm, Gimbal - Thermoplastic / Black
- Bracket - see Table II
- Spring / Pin / Rivet - 300 Series SST / Passivate
- Sleeve - Delrin
- Gasket - Silicone (optional)



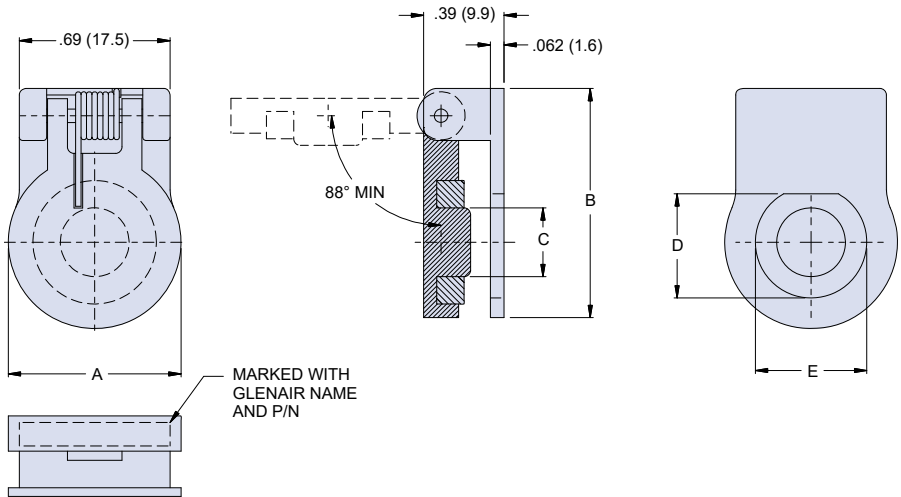
Series 804 Mighty Mouse Jam-Nut Receptacle
Push-Pull, Spring-Loaded ProSeal™ Cover

Spring-Loaded Cover for Series 804 Jam Nut Receptacles



"Flop lid" snaps shut when cable is disconnected. Silicone gasket provides watertight seal when closed. Fits standard Series 804 rear-mount jam nut receptacles. For .057/.067 inch (1.45/1.70 mm) panel thickness. Aluminum alloy or stainless steel.

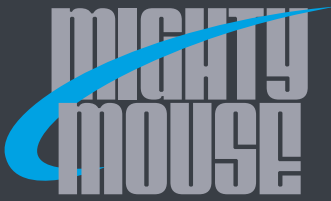
Shell Size	Part Number				
	Aluminum				Stainless Steel
	Electroless Nickel	Cadmium/Olive Drab	Nickel-PTFE	Black Zinc-Nickel	Passivated
5	667-282M05	667-282NF05	667-282MT05	667-282ZNU05	667-282Z105
6	667-282M06	667-282NF06	667-282MT06	667-282ZNU06	667-282Z106
7	667-282M07	667-282NF07	667-282MT07	667-282ZNU07	667-282Z107
8	667-282M08	667-282NF08	667-282MT08	667-282ZNU08	667-282Z108
9	667-282M09	667-282NF09	667-282MT09	667-282ZNU09	667-282Z109
10	667-282M10	667-282NF10	667-282MT10	667-282ZNU10	667-282Z110
11	667-282M11	667-282NF11	667-282MT11	667-282ZNU11	667-282Z111
12	667-282M12	667-282NF12	667-282MT12	667-282ZNU12	667-282Z112
14	667-282M14	667-282NF14	667-282MT14	667-282ZNU14	667-282Z114
15	667-282M15	667-282NF15	667-282MT15	667-282ZNU15	667-282Z115



Shell Size	Dimensions									
	A		B		C		D Flat		E Dia	
	In.	mm.	In.	mm.	In.	mm.	In.	mm.	In.	mm.
5	.63	16.0	.93	23.6	.251	6.4	.427/.423	10.8/10.74	.443	11.3
6	.69	17.5	.99	25.1	.315	8.0	.479/.475	12.2/12.07	.505	12.8
7	.82	20.8	1.11	28.2	.383	9.7	.606/.601	15.4/15.27	.630	16.0
8	.82	20.8	1.11	28.2	.429	10.9	.606/.601	15.4/15.27	.630	16.0
9	.88	22.4	1.18	30.0	.485	12.3	.667/.663	16.9/16.84	.693	17.6
10	.94	23.9	1.24	31.5	.560	14.2	.734/.729	18.6/18.52	.755	19.2
11	1.00	25.4	1.30	33.02	.619	15.7	.801/.796	20.3/20.22	.820	20.8
12	1.07	27.2	1.36	34.5	.678	17.2	.855/.851	21.7/21.62	.880	22.4
14	1.19	30.2	1.49	37.8	.801	20.3	.98/.976	24.9/24.79	1.005	25.5
15	1.25	31.75	1.55	39.37	.860	21.8	1.041/1.037	26.4/26.34	1.067	27.1

NOTES

1. Materials and Finishes
2. Cover, Housing: Aluminum Alloy or Stainless Steel
3. Gasket: Sponge Silicone Rubber
4. Sleeve: Delrin
5. Spring, Shaft: Stainless Steel



SERIES 80 MIGHTY MOUSE CONNECTORS Accessories, Backshells, and Tools

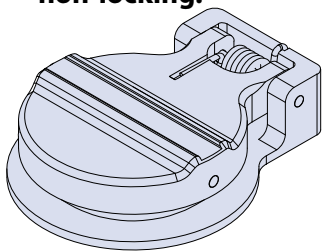


Series 804 Mighty Mouse, Jam-Nut Pressure Seal, Dust and Immersion Resistant ProSeal™ Cover



How to Order 667-387				
Sample Part Number	667-387	NF	09	-2
Series	ProSeal protective cover for Series 804 Mighty Mouse Jam Nut connectors			
Material / Finish	See Table II			
Shell Size	See Table I			
Panel Thickness	1 = .063" ±.03 F=.43 2 = .125" ±.03 F=.36			

- Pressure seal, dust and immersion resistant
- Self-aligning
- Positive spring-action in closed position. Opens to 88°, non-locking.



Jam nut mount, shown closed

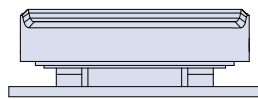


Table II: Material and Finish		
Sym	Material	Finish
M	Aluminum Alloy	Electroless Nickel
NF		Cad Plate / Olive Drab over Electroless Nickel
C		Anodize / Black
ZN		Zinc-Nickel / O.D. over Electroless Nickel
ZR		Zinc-Nickel / Black over Electroless Nickel

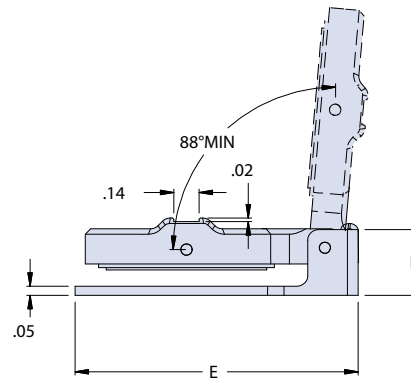
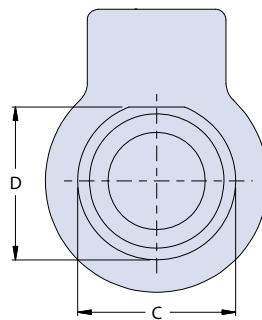
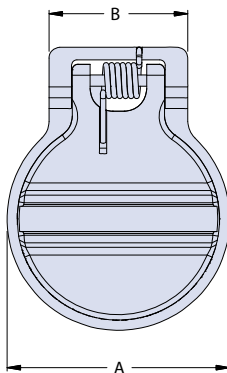
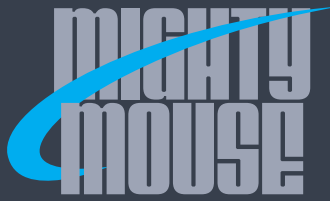


Table I: Dimensions										
Shell Size	A Dia		B Dim		C Dia		D Flat		E Dim	
	in	mm	in	mm	in	mm	in	mm	in	mm
06	.86	21.84	.70	17.78	.510	12.95	.479/.475	12.17/12.07	1.20	30.48
07	.87	22.10	.77	19.56	.635	16.13	.606/.601	15.39/15.27	1.29	32.77
08	.87	22.10	.77	19.56	.635	16.13	.606/.602	15.39/15.29	1.29	32.77
09	1.05	26.67	.77	19.56	.695	17.65	.667/.663	16.94/16.84	1.35	34.29
10	1.11	28.19	.77	19.56	.760	19.30	.734/.729	18.64/18.52	1.42	36.07
12	1.24	31.50	.77	19.56	.885	22.48	.855/.851	21.72/21.62	1.57	39.88
14	1.36	34.54	.89	22.61	1.010	25.65	.980/.976	24.89/24.79	1.70	43.18
15	1.42	36.07	.89	22.61	1.070	27.18	1.041/1.037	26.44/26.34	1.74	44.20

MATERIAL / FINISH

- Cover, Lever Arm, Bracket- Aluminum Alloy/see Table II
- Shaft / Spring - CRES / Passivate
- Sleeve - Delrin
- Gasket - Sponge Silicone

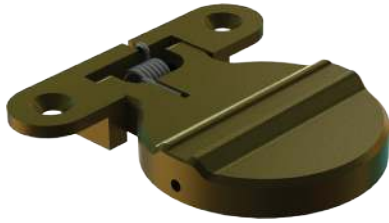
Consult factory for additional shell sizes



SERIES 80 MIGHTY MOUSE CONNECTORS Accessories, Backshells, and Tools



Series 804 Mighty Mouse Spring Loaded, ProSeal™ Low Profile Spring Action Cover for Jam Nut Connectors

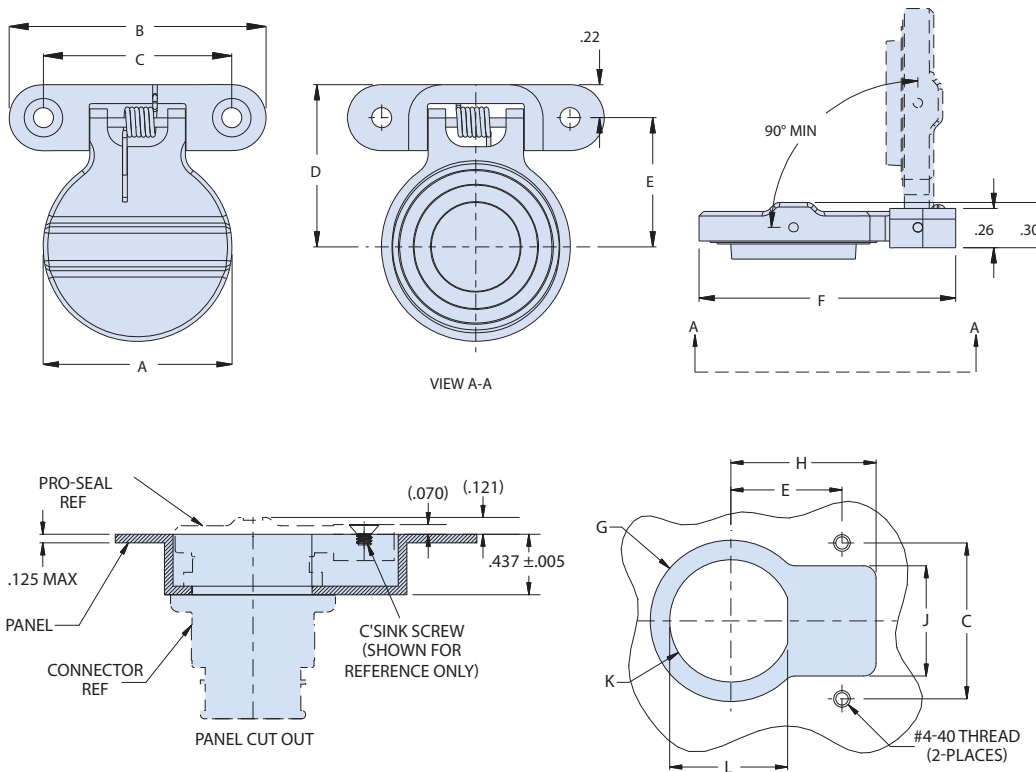


How to Order 667-392			
Sample Part Number	667-392	NF	09
Series	ProSeal protective cover for Series 804 Mighty Mouse Wall Mount connectors		
Material / Finish	See Table II		
Shell Size	See Table I		

- Pressure seal, dust and immersion resistant
- Self-aligning
- Positive spring-action in closed position. Opens to 90°, non-locking.

Table I: Dimensions												
Shell Size	A Dia		B Dim		C ±.005		D Dim		E ±.005		F Dim	
	in	mm	in	mm	in	mm	in	mm	in	mm	in	mm
06	.75	19.05	1.51	38.35	1.055	26.80	.84	21.34	.615	15.62	1.17	29.72
07	.87	22.10	1.58	40.13	1.125	28.58	.87	22.10	.640	16.26	1.25	31.75
08	.87	22.10	1.58	40.13	1.125	28.58	.90	22.86	.673	17.09	1.32	33.53
09	.94	23.88	1.58	40.13	1.125	28.58	.90	22.86	.673	17.09	1.32	33.53
10	1.00	25.40	1.58	40.13	1.125	28.58	.94	23.88	.712	18.08	1.39	35.31
12	1.12	28.45	1.58	40.13	1.125	28.58	1.03	26.16	.800	20.32	1.53	38.86
14	1.25	31.75	1.70	43.18	1.245	31.62	1.08	27.43	.855	21.72	1.69	42.93
15	1.31	33.27	1.70	43.18	1.245	31.62	1.10	27.94	.875	22.23	1.74	44.20

Consult factory for additional shell sizes

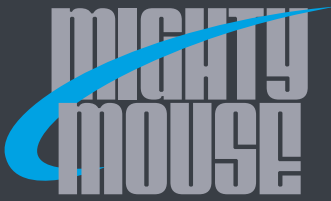


MATERIAL / FINISH

- Cover, Lever Arm, Bracket - Aluminum Alloy/see Table II
- Shaft / Spring - CRES / Passivate
- Sleeve - Delrin
- Gasket - Silicone

Table II: Material and Finish		
Sym	Material	Finish
M	Aluminum Alloy	Electroless Nickel
NF		Cad Plate / Olive Drab over Electroless Nickel
C		Anodize / Black
ZN		Zinc-Nickel / O.D. over Electroless Nickel
ZR		Zinc-Nickel / Black over Electroless Nickel

ACCESSORIES, BACKSHELLS, AND TOOLS



SERIES 80 MIGHTY MOUSE CONNECTORS Accessories, Backshells, and Tools

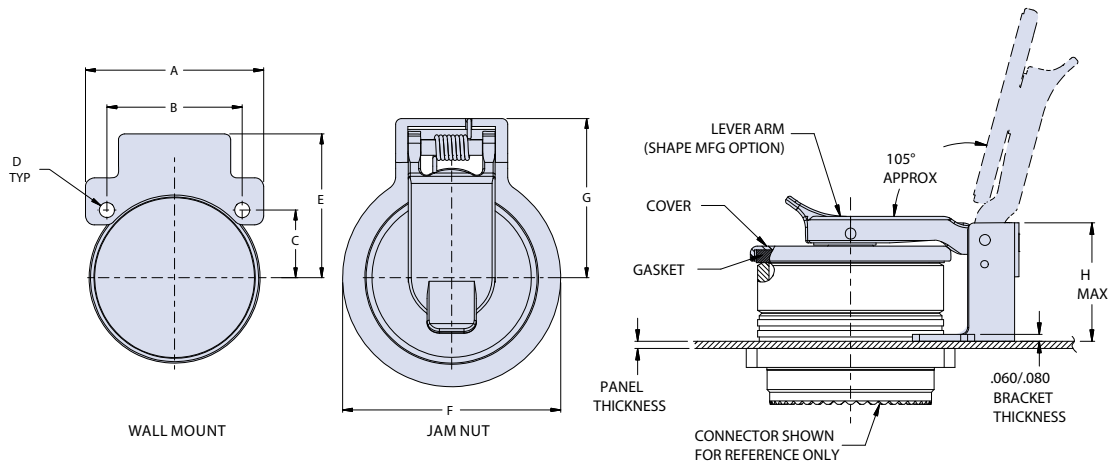


Series 805 Mighty Mouse Pressure Seal, Dust and Immersion Resistant ProSeal™ Covers



How to Order 667-424						
Sample Part Number		667-424	NF	13	T1	J
Series	ProSeal protective cover for Series 805 Mighty Mouse jam-nut or wall mount connectors					
Material / Finish	See Table II					
Shell Size	See Table I					
Panel Thickness	See Table III					
Type of Mounting	J = Jam Nut Mount Receptacle W = Wall Mount Receptacle					

- Pressure seal, dust and immersion resistant
- Self-aligning
- Positive spring-action in closed position. Locks open at approximately 105° from receptacle face.



Sym	Material	Finish
MT	Aluminum	Nickel-PTFE
ZR		Zinc-Nickel, Black (Tri-Valent CR)
M		Electroless Nickel
NF		Cad Plate / Olive Drab over Electroless Nickel
C		Anodize / Black
UC		Zinc Cobalt / Black

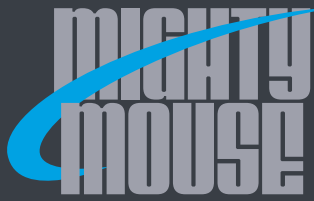
Dash No.	Panel Thickness*		H max			
	±.030 (.76)		Jam Nut		Wall Mount	
	in	mm	in	mm	in	mm
T0	.000	.00	N/A	N/A	.937	23.80
T1	.062	1.57	.993	25.22	.875	22.23

*Cover fits nominally onto panel with .062" (1.57mm) thickness, but will also work for panels as thin as .031" (.79mm)

Shell Size	Wall Mount												Jam Nut Mount			
	A Dim		B Dim		C Dim		D ±.002 (.05)		E ±.031 (.79)		F ±.031 (.79)		G ±.031 (.79)			
	in	mm	in	mm	in	mm	in	mm	in	mm	in	mm	in	mm		
08	.850	21.59	.660	16.76	.330	8.38	.094	2.39	.675	17.15	.768	19.51	.721	18.31		
09	.913	23.19	.723	18.36	.362	9.19	.094	2.39	.724	18.39	.906	23.01	.790	20.07		
10	.975	24.77	.785	19.94	.393	9.98	.094	2.39	.758	19.25	.906	23.01	.790	20.07		
11	1.039	26.39	.848	21.54	.424	10.77	.094	2.39	.780	19.81	.977	24.82	.825	20.96		
12	1.099	27.91	.909	23.09	.455	11.56	.094	2.39	.824	20.93	1.046	26.57	.860	21.84		
13	1.163	29.54	.973	24.71	.487	12.37	.094	2.39	.851	21.62	1.116	28.35	.895	22.73		
15	1.288	32.72	1.058	26.87	.529	13.44	.128	3.25	.967	24.56	1.256	31.90	.982	24.94		
18	1.475	37.47	1.255	31.88	.628	15.95	.128	3.25	1.062	26.97	1.465	37.21	1.087	27.61		
19	1.537	39.04	1.327	33.71	.664	16.87	.128	3.25	1.070	27.18	1.535	38.99	1.122	28.50		
21	1.663	42.24	1.452	36.88	.726	18.44	.128	3.25	1.148	29.16	1.674	42.52	1.194	30.33		
23	1.787	45.39	1.570	39.88	.785	19.94	.128	3.25	1.340	34.04	1.814	46.08	1.394	35.41		

MATERIAL / FINISH

- Cover, lever arm, gimbal: thermoplastic / black
- Bracket - see Table II
- Spring / pin / rivet - 300 series sst / passivate
- Sleeve - Delrin
- Gasket - silicone



SERIES 80 MIGHTY MOUSE CONNECTORS Accessories, Backshells, and Tools



Series 805 Mighty Mouse Threaded Closure, Full Environmental, ProSeal™ Spring Action Covers



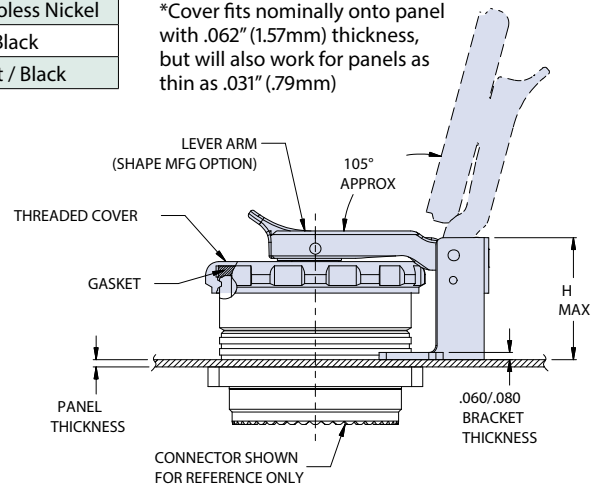
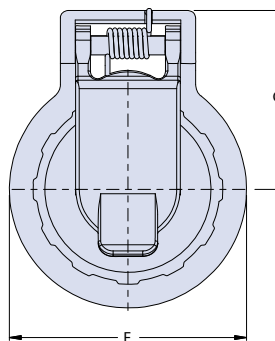
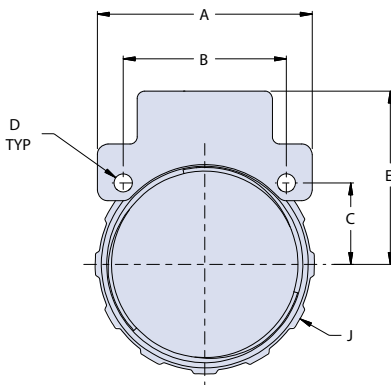
How to Order 667-462						
Sample Part Number		667-462	NF	13	T1	J
Series	ProSeal Protective Threaded Cover for Series 805 Mighty Mouse Jam-Nut or Wall Mount Connectors					
Material / Finish	See Table II					
Shell Size	See Table I					
Panel Thickness	See Table III					
Type of Mounting	J = Jam Nut Mount Receptacle W = Wall Mount Receptacle					

- Threaded closure
- Full environmental protection
- Self-aligning
- Positive spring-action in closed position. Locks open at approximately 105° from receptacle face.

Sym	Material	Finish
MT	Aluminum	Nickel-PTFE
ZR		Zinc-Nickel, Black (Tri-Valent CR)
M		Electroless Nickel
NF		Cad Plate / Olive Drab over Electroless Nickel
C		Anodize / Black
UC		Zinc Cobalt / Black

Dash No.	Panel Thickness*		H max			
	±.030 (.76)		Jam Nut		Wall Mount	
	in	mm	in	mm	in	mm
T0	.000	.00	N/A	N/A	.937	23.80
T1	.062	1.57	.993	25.22	.875	22.23

*Cover fits nominally onto panel with .062" (1.57mm) thickness, but will also work for panels as thin as .031" (.79mm)



Shell Size	Table I: Dimensions															
	Wall Mount								Jam Nut Mount							
	A Dim		B Dim		C Dim		D ±.002 (.05)		E ±.031 (.79)		F ±.031 (.79)		G ±.031 (.79)		J Dia max	
in	mm	in	mm	in	mm	in	mm	in	mm	in	mm	in	mm	in	mm	
08	.850	21.59	.660	16.76	.330	8.38	.094	2.39	.675	17.15	.768	19.51	.721	18.31	.720	18.29
09	.913	23.19	.723	18.36	.362	9.19	.094	2.39	.724	18.39	.906	23.01	.790	20.07	.782	19.86
10	.975	24.77	.785	19.94	.393	9.98	.094	2.39	.758	19.25	.906	23.01	.790	20.07	.845	21.46
11	1.039	26.39	.848	21.54	.424	10.77	.094	2.39	.780	19.81	.977	24.82	.825	20.96	.908	23.06
12	1.099	27.91	.909	23.09	.455	11.56	.094	2.39	.824	20.93	1.046	26.57	.860	21.84	.970	24.64
13	1.163	29.54	.973	24.71	.487	12.37	.094	2.39	.851	21.62	1.116	28.35	.895	22.73	1.032	26.21
15	1.288	32.72	1.058	26.87	.529	13.44	.128	3.25	.967	24.56	1.256	31.90	.982	24.94	1.157	29.39
18	1.475	37.47	1.255	31.88	.628	15.95	.128	3.25	1.062	26.97	1.465	37.21	1.087	27.61	1.345	34.16
19	1.537	39.04	1.327	33.71	.664	16.87	.128	3.25	1.070	27.18	1.535	38.99	1.122	28.50	1.408	35.76
21	1.663	42.24	1.452	36.88	.726	18.44	.128	3.25	1.148	29.16	1.674	42.52	1.194	30.33	1.532	38.91
23	1.787	45.39	1.570	39.88	.785	19.94	.128	3.25	1.340	34.04	1.814	46.08	1.394	35.41	1.657	42.09

MATERIAL / FINISH

- Cover, lever arm, gimbal: thermoplastic / black
- Bracket - see Table II
- Spring / pin / rivet - 300 series SST / passivate
- Sleeve - Delrin
- Gasket - Silicone



SERIES 80 MIGHTY MOUSE CONNECTORS Accessories, Backshells, and Tools



Series 800 Mighty Mouse Dummy Stowage Receptacle



809-173

How To Order			
Sample Part Number	809-173	-M	10
Series	809-173		
Shell Material and Finish	C = Aluminum / Black Anodize (Non-Conductive) RoHS Compliant M = Aluminum / Electroless Nickel NF = Aluminum / Cadmium with Olive Drab ZN = Aluminum / Zinc-Nickel with Olive Drab Chromate ZNU = Aluminum / Zinc-Nickel with Black Chromate Z1 = Stainless Steel / Passivated ZB = Stainless Steel / Olive Drab Chromate over Cadmium ZC = Stainless Steel / Zinc Cobalt Alloy / Black Chromate		
Shell Size (See Table II)	5, 6, 7, 8, 9, 10, 12		

These flange mount style Series 800 dummy stowage receptacles provide a safe and convenient place to store and protect cabled connectors when not in use due to routine maintenance or during repair of plug cables.

NOTES

- Master keyway is rotated 90° clockwise for shell sizes 7 thru 12
- Material/Finish:
 - Shell: Al alloy or CRES
 - Gasket: Fluorosilicone

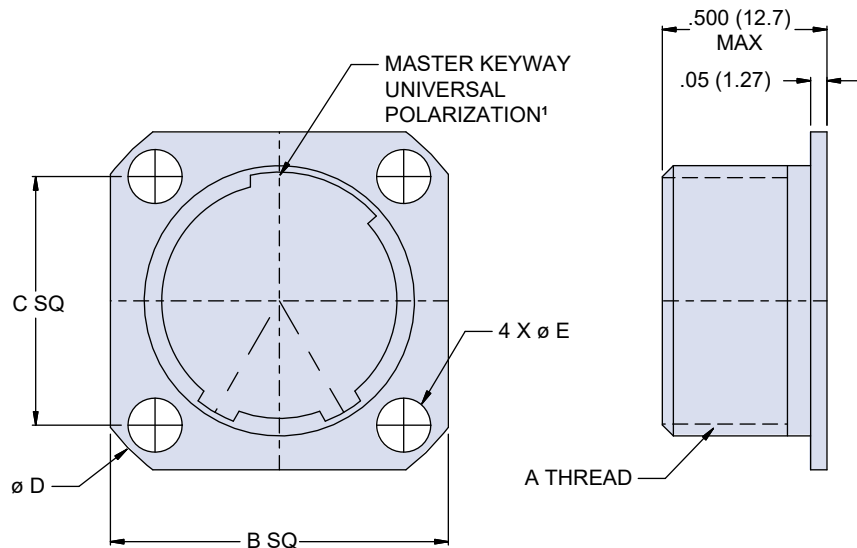
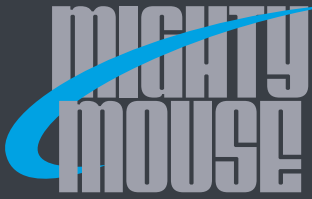


Table II									
Shell Size	A Thread	B Sq		C Sq		Ø D		Ø E	
		In.	mm.	In.	mm.	In.	mm.	In.	mm.
5	.3125-28 UN-2A	.527	13.4	.363	9.2	.680	17.3	.096 .091	2.4 2.3
6	.3750-28 UN-2A	.588	14.9	.423	10.7	.750	19.1	.096 .091	2.4 2.3
7	.4375-28 UNEF-2A	.680	17.3	.483	12.3	.880	22.4	.128	3.3
8	.5000-32 UN-2A	.710	18.0	.542	13.8	.938	23.8	.128	3.3
9	.5625-32 UN-2A	.938	23.8	.719	18.3	1.250	31.8	.128	3.3
10	.6250-32 UN-2A	.938	23.8	.719	18.3	1.250	31.8	.128	3.3
12	.7500-28 UN-2A	1.031	26.2	.812	20.6	1.375	34.9	.128	3.3



SERIES 80 MIGHTY MOUSE CONNECTORS Accessories, Backshells, and Tools



Series 801 Mighty Mouse Dummy Stowage Receptacle



657-072

How To Order			
Sample Part Number	657-072	M	10
Series	657-072		
Shell Material and Finish	C = Aluminum / Black Anodize (Non-Conductive) RoHS Compliant M = Aluminum / Electroless Nickel NF = Aluminum / Cadmium with Olive Drab ZN = Aluminum / Zinc-Nickel with Olive Drab Chromate ZNU = Aluminum / Zinc-Nickel with Black Chromate Z1 = Stainless Steel / Passivated ZB = Stainless Steel / Olive Drab Chromate over Cadmium ZC = Stainless Steel / Zinc Cobalt Alloy / Black Chromate		
Shell Size (See Table II)	5, 6, 7, 8, 9, 10, 11, 13, 16, 17, 19, 21		

These flange mount style Series 801 dummy stowage receptacles provide a safe and convenient place to store and protect cabled connectors when not in use due to routine maintenance or during repair of plug cables.

NOTES

- Materials and Finishes
 - Cover: Al Alloy or Stainless Steel
 - Seal: Fluorosilicone

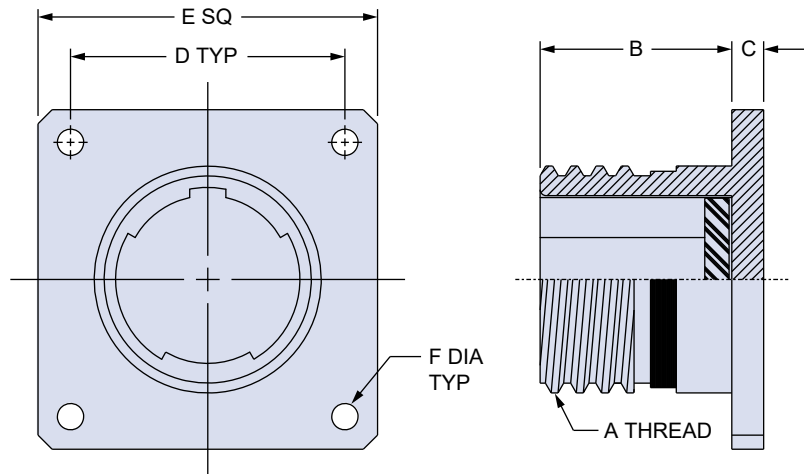
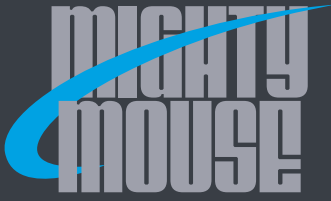


Table II: Dimensions											
Shell Size	A thread	B		C		D		E		F Dia	
		in.	mm.	in.	mm.	in.	mm.	in.	mm.	in.	mm.
5	.3125-.05P-.1L-DS-2A	.370	9.40	.060	1.52	.363	9.22	.530	13.46	.093	2.36
6	.3750-.05P-.1L-DS-2A	.370	9.40	.060	1.52	.423	10.74	.590	14.99	.093	2.36
7	.4375-.05P-.1L-DS-2A	.370	9.40	.060	1.52	.483	12.27	.650	16.51	.093	2.36
8	.5000-.05P-.1L-DS-2A	.370	9.40	.060	1.52	.545	13.84	.712	18.08	.093	2.36
9	.5265-.05P-.1L-DS-2A	.370	9.40	.060	1.52	.607	15.42	.850	21.59	.128	3.25
10	.6250-.05P-.1L-DS-2A	.370	9.40	.060	1.52	.670	17.02	.890	22.61	.128	3.25
11	.6875-.05P-.1L-DS-2A	.370	9.40	.060	1.52	.715	18.16	.935	23.75	.128	3.25
13	.8125-.1P-.2L-DS-2A	.480	12.19	.090	2.29	.812	20.62	1.030	26.16	.128	3.25
16	1.0000-.1P-.2L-DS-2A	.480	12.19	.090	2.29	.981	24.92	1.219	30.96	.128	3.25
17	1.0625-.1P-.2L-DS-2A	.480	12.19	.090	2.29	1.060	26.92	1.280	32.51	.128	3.25
19	1.1875-.1P-.2L-DS-2A	.480	12.19	.090	2.29	1.191	30.25	1.432	36.37	.128	3.25
21	1.3125-.1P-.2L-DS-2A	.480	12.19	.090	2.29	1.322	33.58	1.565	39.75	.128	3.25



SERIES 80 MIGHTY MOUSE CONNECTORS Accessories, Backshells, and Tools



Series 803 Mighty Mouse Dummy Stowage Receptacle



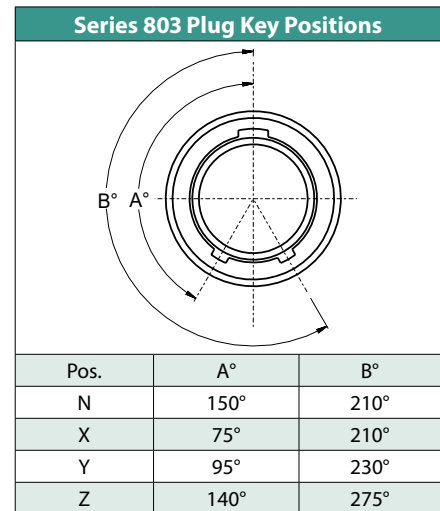
809-092

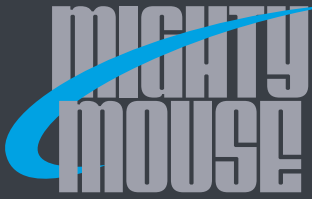
These Series 803 bayonet dummy stowage receptacle for shell size 5 thru 15, provide a safe a convenient place to store and protect cabled connectors when not in use due to routine maintenance or repair of plug cables.

How To Order					
Sample Part Number	809-092	07	M	7	N
Series (See Table I)	809-092				
Shell Style	02 = Flange Receptacle for front or rear panel mounting 07 = Jam nut receptacle for rear panel mounting				
Shell Material and Finish	C = Aluminum / Black Anodize (Non-Conductive) RoHS Compliant M = Aluminum / Electroless Nickel NF = Aluminum / Cadmium with Olive Drab ZN = Aluminum / Zinc-Nickel with Olive Drab Chromate Z1 = Stainless Steel / Passivated ZB = Stainless Steel / Olive Drab Chromate over Cadmium ZC = Stainless Steel / Zinc Cobalt Alloy / Black Chromate				
Shell Size (See Table II)	5, 6, 7, 8, 9, 10, 12, 14, 15				
Key Position	N = Normal, X, Y, Z, U = Universal				

NOTES

- Material/Finish:
 - Shell: Al alloy or CRES
 - Gasket: Fluorosilicone

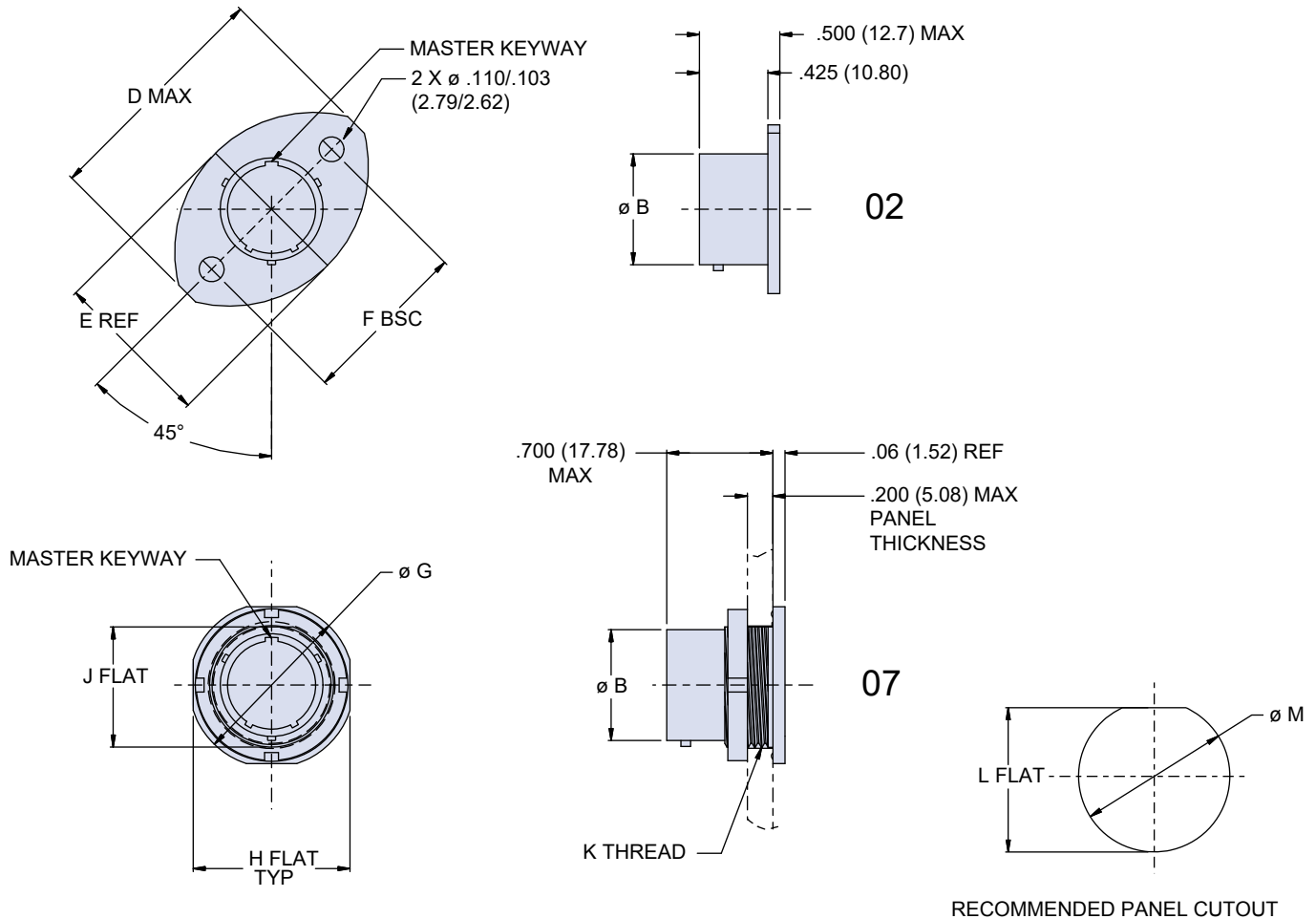




SERIES 80 MIGHTY MOUSE CONNECTORS Accessories, Backshells, and Tools



Series 803 Mighty Mouse Dummy Stowage Receptacle



RECOMMENDED PANEL CUTOUT

Table II: Dimensions

Shell Size	ϕ B		ϕ D		E Ref		F Bsc		ϕ G		H Flat		J Flat		K Thread	L Flat		ϕ M	
	in.	mm.	in.	mm.	in.	mm.	in.	mm.	in.	mm.	in.	mm.	in.	mm.		in. \pm .002	mm. \pm .002	in.	mm.
5	.300	7.62	.703	17.86	.460	11.68	.513	13.03	.575	14.61	.545	13.84	.350	8.89	.3750-28 UN-2A	.360	9.14	.385	9.78
6	.362	9.19	.788	20.02	.522	13.26	.598	15.19	.635	16.13	.595	15.11	.410	10.41	.4375-28 UNEF-2A	.420	10.67	.448	11.38
7	.436	11.07	.890	22.61	.590	14.99	.708	17.98	.755	19.18	.723	18.36	.536	13.61	.5625-32 UN-2A	.546	13.87	.573	14.55
8	.508	12.90	1.154	29.31	.668	16.97	.964	24.49	.830	21.08	.790	20.07	.593	15.06	.6250-28 UN-2A	.603	0.60	.635	16.13
9	.561	14.25	1.207	30.66	.721	18.31	1.017	25.83	.830	21.08	.790	20.07	.593	15.06	.6250-28 UN-2A	.603	15.32	.635	16.13
10	.635	16.13	1.291	32.79	.795	20.19	1.101	27.97	.955	24.26	.925	23.50	.721	18.31	.7500-28 UN-2A	.731	18.57	.760	19.30
12	.714	18.14	1.394	35.41	.874	22.20	1.204	30.58	1.078	27.38	1.044	26.52	.845	21.46	.8750-28 UN-2A	.855	21.72	.885	22.48
14	.865	21.97	1.545	39.24	1.050	26.67	1.280	32.51	1.264	32.11	1.230	31.24	1.022	25.96	1.0625-20 UN-2A	1.032	26.21	1.075	27.31
15	.925	23.50	1.630	41.40	1.150	29.21	1.370	34.80	1.325	33.66	1.290	32.77	1.096	27.84	1.1250-28 UN-2A	1.106	28.09	1.135	28.83



SERIES 80 MIGHTY MOUSE CONNECTORS Accessories, Backshells, and Tools



Series 804 Mighty Mouse Rear Panel Mount Dummy Stowage Receptacle

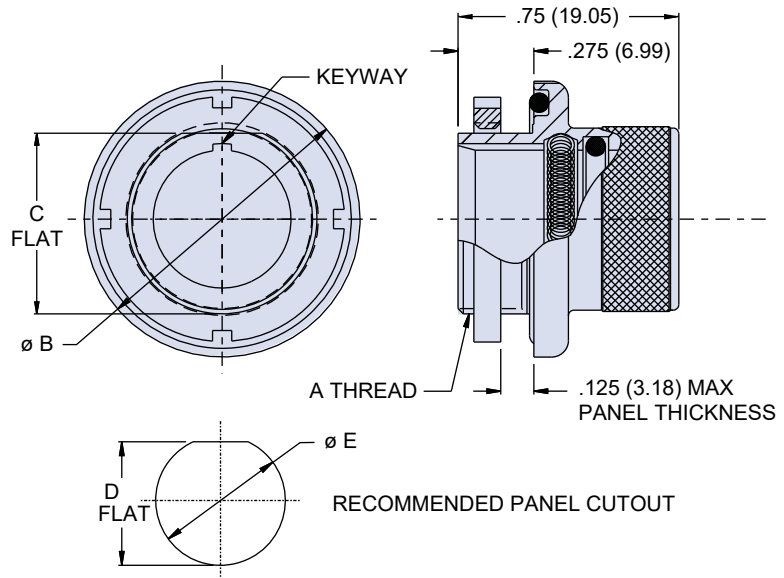


Series 804 rear panel mounted dummy stowage receptacles provide a safe a convenient place to store and protect cabled connectors when not in use due to routine maintenance or repair of plug cables.

NOTES:

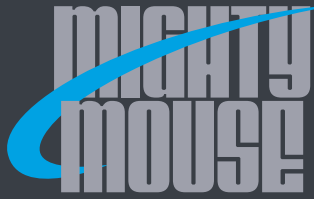
- Glenair 600 series backshell assembly tools are recommended for assembly and installation.
- Material and Finish:
 - Receptacle: Al Alloy or SST/
 - Seal: Fluorosilicone
 - Spring: CRES/gold plated

How To Order				
Sample Part Number	650-061	NF	15	A
Series	650-061			
Shell Material and Finish	C = Aluminum / Black Anodize (Non-Conductive) RoHS Compliant M = Aluminum / Electroless Nickel NF = Aluminum / Cadmium with Olive Drab ZN = Aluminum / Zinc-Nickel with Olive Drab Chromate ZNU = Aluminum / Zinc-Nickel with Black over Electroless Nickel Z1 = Stainless Steel / Passivated ZB = Stainless Steel / Olive Drab Chromate over Cadmium ZC = Stainless Steel / Zinc Cobalt Alloy / Black Chromate			
Shell Size (See Table II)	5, 6, 7, 8, 9, 10, 11, 12, 14, 15			
Key Position	A, B, C, D, E, F Omit = Single key (non-Polarized)			



Alternate Key Positions		
	A°	B°
Pos.	A°	B°
A	150°	210°
B	75°	210°
C	95°	230°
D	140°	275°
E	75°	275°
F	95°	210°

Table I: Dimensions									
Shell Size	A Thread	Ø B		C-Flat		D-Flat		Ø E	
		in.	mm.	in.	mm.	in. ± .04	mm. ± .04	in.	mm.
5	.4375-32 UN-2A	.790	20.07	.415	10.54	.425	10.80	.448	11.38
6	.5000-32 UN-2A	.830	21.08	.467	11.86	.477	12.12	.510	12.95
7	.6250-28 UN-2A	.910	23.11	.594	15.09	.603	15.32	.635	16.13
8	.6250-28 UN-2A	.955	24.26	.594	15.09	.603	15.32	.635	16.13
9	.6875-28 UN-2A	1.000	25.40	.655	16.64	.665	16.89	.695	17.65
10	.7500-28 UN-2A	1.085	27.56	.721	18.31	.731	18.57	.760	19.30
11	.8125-28 UN-2A	1.135	28.83	.788	20.02	.798	20.27	.822	20.88
12	.8750-28 UN-2A	1.180	29.97	.843	21.41	.853	21.67	.885	22.48
14	1.0000-28 UN-2A	1.325	33.66	.968	24.59	.978	24.84	1.010	25.65
15	1.0625-20 UN-2A	1.390	35.31	1.029	26.14	1.039	26.39	1.070	27.18



SERIES 80 MIGHTY MOUSE CONNECTORS Accessories, Backshells, and Tools



Series 804 Mighty Mouse Front or Rear Jam-Nut and Flange Mount Dummy Stowage Plug



809-213

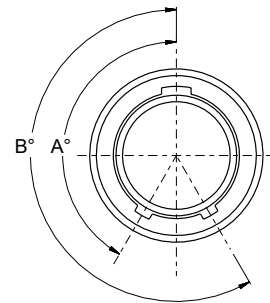
Dummy stowage receptacles provide a safe and convenient place to store and protect cabled connectors when not in use due to routine maintenance or repair of plug cables. for use with 804 style plug connectors.

How To Order					
Sample Part Number	809-213	-07	M	9	A
Series	809-213				
Shell Style	-07 = Rear Mount, Jam Nut -02 = Flange Mount -00 = Front Mount, Jam Nut				
Shell Material and Finish	C = Aluminum / Black Anodize (Non-Conductive) RoHS Compliant M = Aluminum / Electroless Nickel NF = Aluminum / Cadmium with Olive Drab ZN = Aluminum / Zinc-Nickel with Olive Drab Chromate ZNU = Aluminum / Zinc-Nickel with Black over Electroless Nickel Z1 = Stainless Steel / Passivated ZB = Stainless Steel / Olive Drab Chromate over Cadmium ZC = Stainless Steel / Zinc Cobalt Alloy / Black Chromate				
Shell Size (See Table II)	5, 6, 7, 8, 9, 10, 11, 12, 14,15				
Key Position	A, B, C, D, E, F Omit = Single Key (non-polarized)				

NOTES:

1. Red stripe indicator for alignment during mating.
2. This stowage plug mates with 804 series receptacles with compatible polarization.
3. Material and Finish
 - Shell, jam nut: Al Alloy or CRES
 - O-rings: Fluorosilicone.

Alternate Key Positions



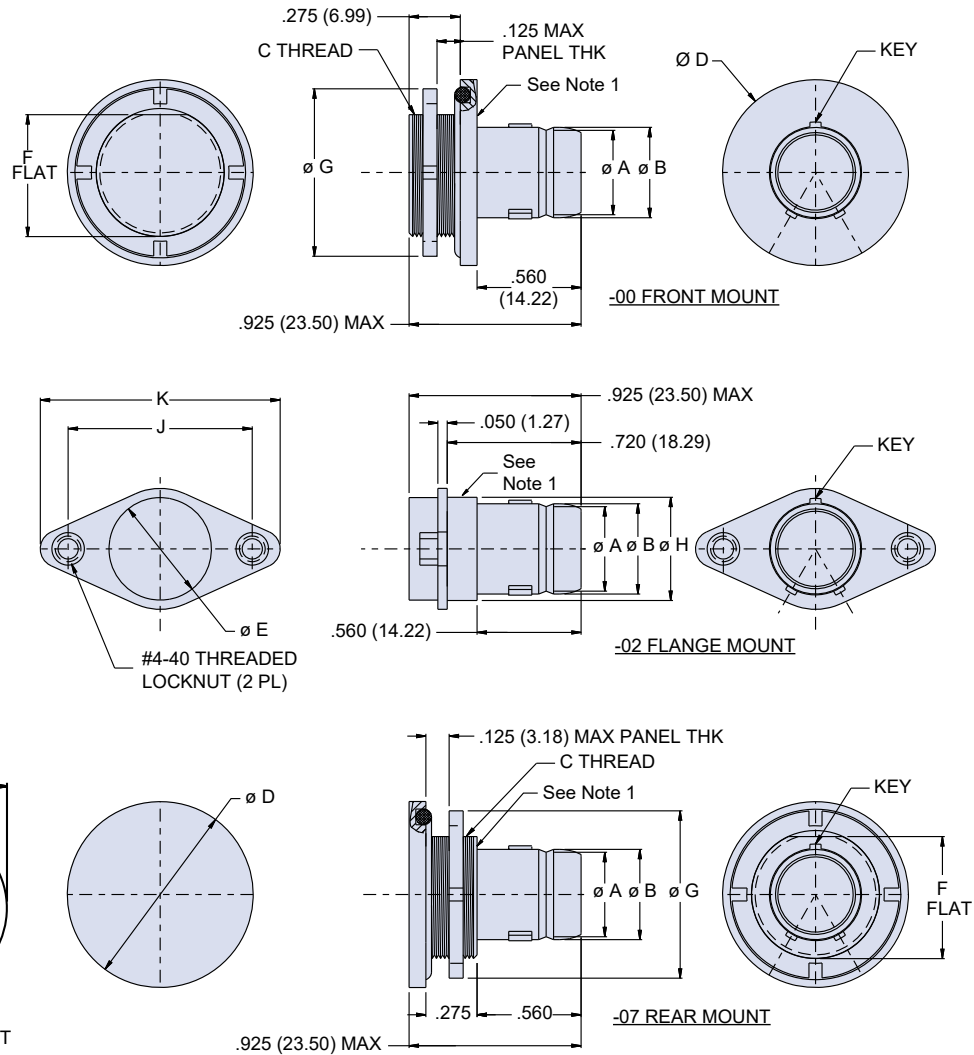
Pos.	A°	B°
A	150°	210°
B	75°	210°
C	95°	230°
D	140°	275°
E	75°	275°
F	95°	210°



SERIES 80 MIGHTY MOUSE CONNECTORS Accessories, Backshells, and Tools

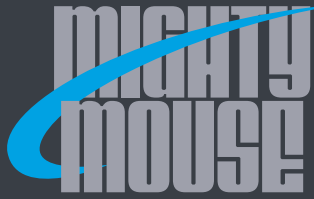


Series 804 Mighty Mouse Front or Rear Jam-Nut and Flange Mount Dummy Stowage Plug



ACCESSORIES, BACKSHELLS, AND TOOLS

Dimensions												
Shell size	Ø A	Ø B	C Thread UN-2A	Ø D	Ø E	F Flat	Ø G	H	J	K	L Flat ± .005	Ø M
5	.219 (5.56)	.250 (6.35)	.4375-32	.790 (20.07)	.244 (6.20)	.415 (10.54)	.562 (14.27)	.320 (8.13)	.755 (19.18)	1.055 (26.80)	.423 (10.74)	.448 (11.38)
6	.282 (7.16)	.313 (7.95)	.5000-32	.830 (21.08)	.330 (8.38)	.467 (11.86)	.625 (15.88)	.385 (9.78)	.820 (20.83)	1.120 (28.45)	.475 (12.07)	.510 (12.95)
7	.351 (8.92)	.383 (9.73)	.6250-28	.910 (23.11)	.432 (10.97)	.594 (15.09)	.750 (19.05)	.450 (11.43)	.885 (22.48)	1.185 (30.10)	.602 (15.29)	.635 (16.13)
8	.398 (10.11)	.429 (10.90)	.6250-28	.955 (24.26)	.493 (12.52)	.594 (15.09)	.750 (19.05)	.495 (12.57)	.930 (23.62)	1.230 (31.24)	.602 (15.29)	.635 (16.13)
9	.454 (11.53)	.486 (12.34)	.6875-28	1.000 (25.40)	.551 (14.00)	.655 (16.64)	.812 (20.62)	.555 (14.10)	.990 (25.15)	1.290 (32.77)	.663 (16.84)	.698 (17.73)
10	.529 (13.44)	.563 (14.30)	.7500-28	1.085 (27.56)	.620 (15.75)	.721 (18.31)	.875 (22.23)	.625 (15.88)	1.060 (26.92)	1.360 (34.54)	.729 (18.52)	.760 (19.30)
11	.587 (14.91)	.618 (15.70)	.8125-28	1.140 (28.96)	.662 (16.81)	.790 (20.07)	.938 (23.83)	.690 (17.53)	1.120 (28.45)	1.420 (36.07)	.798 (20.27)	.823 (20.90)
12	.646 (16.41)	.676 (17.17)	.8750-28	1.180 (29.97)	.703 (17.86)	.843 (21.41)	1.000 (25.40)	.750 (19.05)	1.185 (30.10)	1.485 (37.72)	.851 (21.62)	.885 (22.48)
14	.768 (19.51)	.800 (20.32)	1.000-28	1.325 (33.65)	.863 (21.92)	.968 (24.59)	1.125 (28.58)	.865 (21.97)	1.300 (33.02)	1.600 (40.64)	.976 (24.79)	1.010 (25.65)
15	.828 (21.03)	.860 (21.84)	1.0625-20	1.390 (35.31)	.912 (23.16)	1.029 (26.14)	1.188 (30.18)	.930 (23.62)	1.365 (34.67)	1.665 (42.29)	1.037 (26.34)	1.072 (27.23)



SERIES 80 MIGHTY MOUSE CONNECTORS Accessories, Backshells, and Tools



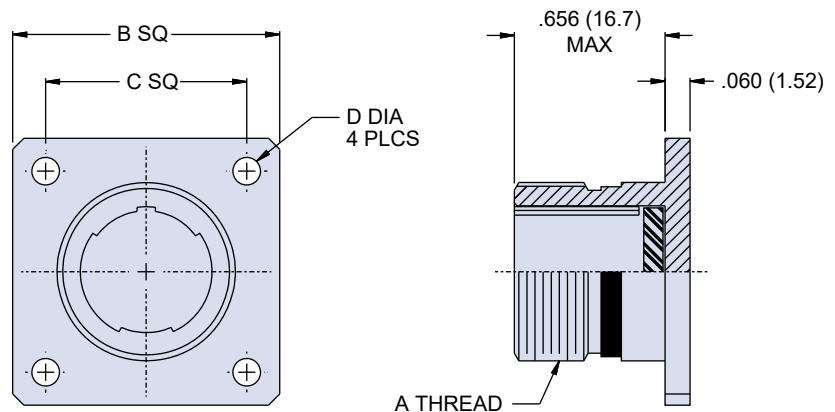
Dummy Stowage Receptacle for Series 805 Connectors



657-079

How To Order			
Sample Part Number	657-079	NF	15
Series	657-079 = Universal Polarity		
Shell Material and Finish	C = Aluminum / Black Anodize (Non-Conductive) RoHS Compliant M = Aluminum / Electroless Nickel NF = Aluminum / Cadmium with Olive Drab ZN = Aluminum / Zinc-Nickel with Olive Drab Chromate ZNU = Aluminum / Zinc-Nickel with Black over Electroless Nickel Z1 = Stainless Steel / Passivated ZB = Stainless Steel / Olive Drab Chromate over Cadmium ZC = Stainless Steel / Zinc Cobalt Alloy / Black Chromate		
Shell Size (See Table II)	8, 9, 10, 11, 12, 13, 15, 18, 19, 21, 23		

These Series 805 dummy stowage receptacles universal polarity provide a safe a convenient place to store and protect cabled connectors when not in use due to routine maintenance or repair of plug cables.



NOTES:

- Glenair 600 series backshell assembly tools are recommended for assembly and installation.
- Material and Finish:
 - Receptacle: Al Alloy or SST/
 - Seal: Fluorosilicone

Table II: Dimensions							
Shell Size	A Thread 2A	B Sq		C Sq		D Dia	
		in.	mm.	in.	mm.	in.	mm.
8	.5000-.1P-.3L-TS	.850	21.59	.660	16.76	.097 .091	2.46 2.31
9	.5625-.1P-.3L-TS	.913	23.19	.723	18.36		
10	.6250-.1P-.3L-TS	.975	24.77	.785	19.94		
11	.6875-.1P-.3L-TS	1.039	26.39	.848	21.54		
12	.7500-.1P-.3L-TS	1.099	27.91	.909	23.09		
13	.8125-.1P-.3L-TS	1.163	29.54	.973	24.71	.131 .125	3.33 3.18
15	.9375-.1P-.3L-TS	1.288	32.72	1.058	26.87		
18	1.1250-.1P-.3L-TS	1.475	37.47	1.255	31.88		
19	1.1870-.1P-.3L-TS	1.537	39.04	1.327	33.71		
21	1.3125-.1P-.3L-TS	1.663	42.24	1.452	36.88		
23	1.4375-.1P-.3L-TS	1.787	45.39	1.570	39.88		



Also Now Available From Glenair

Series 806: Advanced electrical, mechanical, and environmental micro miniature circular connector

Series 806 offers significant size and weight savings while meeting key performance benchmarks for a broad range of applications such as commercial and military aerospace, industrial robotics, transportation systems and more. Designed for general use in harsh vibration, shock and environmental settings—as well as high-altitude, unpressurized aircraft zones with aggressive voltage ratings and altitude immersion standards—the Series 806 Mil-Aero features numerous mechanical design innovations including durable mechanical insert retention, radial seals and triple-ripple grommet seals. Its reduced thread pitch and re-engineered ratchet prevent decoupling problems, particularly in small shell sizes, solving one of the major problems of shell size 9 and 11 MIL-DTL-38999 Series III connectors.

SAVE SIZE AND WEIGHT WITH SERIES 806 VERSUS D38999

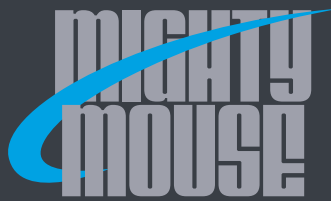
Series 806 Mil-Aero
Smallest Size
.500 In. Mating Threads
3 #20 Contacts
or 7 #22 contacts



MIL-DTL-38999
Smallest Size
.625 In. Mating Threads
3 #20 Contacts or 6 #22 contacts



- Next-generation small form factor aerospace-grade circular connector
- Designed for general use in harsh application environments such as aircraft, industrial robotics and more
- Upgraded environmental, electrical and mechanical performance
- Integrated anti-decoupling technology
- Higher density 20HD and 22HD contact arrangements
- Glass hermetic, lightweight aluminum hermetic, high-temperature, fiber optic, and filtered versions



SERIES 80

Mighty Mouse Connectors and Cables



Part Number Index

249-003 N-5	600MM005 N-46	667-387 N-84	800-056 D-30
249-003 N-8	601-060 N-47	667-392 N-85	800-057 D-30
340MS001. N-20	601-061 N-47	667-424 N-86	800-058 D-31
340MS026. N-18	601-064 N-47	667-462 N-87	800-059 D-31
370MA038 N-31	601-065 N-47	667-497 N-81	800-060 D-26
370MB038. N-31	601-101 N-47	667-509 N-82	801-007 E-12
370MS038. N-31	620MA065 N-29	680-116 C-46	801-008 E-12
380MS135. N-33	620MB065. N-29	680-120 C-46	801-009 E-18
380MS137. N-21	620MS064. N-27	800-006 D-8	801-010 E-18
380MS141. N-34	620MS065. N-29	800-007 D-8	801-011 E-23
390MA077 N-37	650-061 N-92	800-008 D-8	801-012 E-41
390MB077. N-37	657-072 N-89	800-009 D-8	801-017 E-63
390MS076. N-36	657-079 N-95	800-010 D-10	801-023 E-34
390MS077. N-37	660-082 N-64	800-011 D-10	801-024 L-4
440MK135. N-25	660-083 N-64	800-012 D-14	801-026 E-67
440ML135. N-25	660-087 N-60	800-013 D-22	801-028 L-11
440MS134. N-24	660-088 N-60	800-032 D-17	801-029 L-13
440MS135. N-25	667-184 N-48	800-034 D-30	801-031 E-68
447MS981. N-35	667-185 N-48	800-035 L-4	801-032 E-68
600-137 N-15	667-202 N-67	800-036 L-11	801-033 E-23
600-140 N-46	667-217 N-51	800-037 L-13	801-034 E-67
600-141 N-46	667-218 N-51	800-038 D-31	801-052 E-26
600-146 N-12	667-218 N-57	800-039 D-31	801-059 E-48
600-147 N-12	667-241 N-62	800-040 D-14	801-065 E-70
600-154 N-13	667-242 N-62	800-041 D-30	801-066 E-70
600-172 N-46	667-261 N-74	800-052 D-33	801-067 E-70
600-185 N-46	667-262 N-74	800-053 D-33	801-068 E-70
600-197 N-14	667-282 N-83	800-054 D-33	801-069 E-16
600M005 N-46	667-347 N-57	800-055 D-33	801-070 E-67

SERIES 80 MIGHTY MOUSE Index



SERIES 80

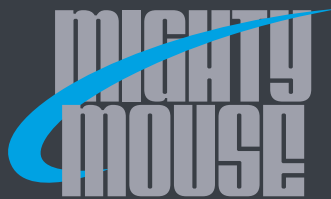
Mighty Mouse Connectors and Cables



Part Number Index

801-071 E-67	803-003 G-10	804-016 L-11	805-010 J-55
801-072 E-68	803-004 G-10	804-017 L-13	805-011 J-31
801-073 E-68	803-005 G-14	804-018 H-48	805-012 L-11
801-074 E-59	803-006 G-16	804-019 H-48	805-013 L-13
801-075 E-29	803-007 L-4	804-020 H-31	805-015 J-60
801-113 E-14	803-009 G-22	804-021 H-21	805-016 J-60
801-114 E-14	803-010 G-18	804-022 H-47	805-017 J-22
801-121 E-61	803-011 L-11	804-032 H-34	805-018 J-59
801-122 E-38	803-012 L-13	804-058 H-50	805-019 J-41
801-123 E-31	803-013 G-23	804-059 H-50	805-054 J-28
801-124 E-45	803-014 G-23	804-060 H-50	805-057 J-62
801-125 E-52	803-015 G-14	804-061 H-50	805-058 J-62
801-126 E-55	803-016 G-22	804-062 H-47	805-059 J-62
802-008 F-10	803-026 G-25	804-063 H-47	805-060 J-62
802-009 F-10	803-027 G-25	804-064 H-48	805-061 J-14
802-010 F-12	803-028 G-25	804-065 H-48	805-062 J-59
802-011 F-12	803-029 G-25	804-066 H-12	805-063 J-59
802-012 F-16	803-030 G-22	804-067 H-43	805-064 J-60
802-013 F-27	803-031 G-22	804-113 H-15	805-065 J-60
802-030 F-16	803-032 G-23	804-114 H-29	805-066 J-49
802-040 F-32	803-033 G-23	804-116 H-17	805-067 J-26
802-050 F-37	804-001 H-10	804-140 H-37	805-127 J-53
802-056 F-24	804-002 H-10	805-001 J-12	805-128 J-51
802-058 F-41	804-003 H-25	805-002 J-12	805-130 J-44
802-059 F-41	804-004 H-25	805-003 J-17	805-132 J-47
802-060 F-42	804-005 H-31	805-004 J-17	805-140 J-36
802-061 F-42	804-006 H-40	805-005 J-22	809-001 C-4
808-062 F-20	804-009 H-21	805-006 J-38	809-002 C-4
803-001 G-8	804-013 L-4	805-007 L-4	809-005 C-41
803-002 G-8	804-015 H-47	805-009 J-59	809-013 C-44

SERIES 80 MIGHTY MOUSE Index



SERIES 80

Mighty Mouse Connectors and Cables



Part Number Index

809-015 C-41	809-118 C-15	809-199 N-10	811-005-07 K-13
809-035 N-16	809-119 C-15	809-200 N-77	811-006-02 K-14
809-042 C-6	809-120 C-15	809-203 C-44	811-006-07 K-13
809-043 C-6	809-121 C-15	809-204 C-10	811-007 K-16
809-054 N-5	809-124 C-41	809-205 C-10	829-012 C-47
809-055 N-8	809-125 C-41	809-206 C-41	830-003 C-12
809-055 N-8	809-126 C-42	809-207 C-44	830-004 C-12
809-057 C-41	809-127 C-42	809-209 N-6	850-002 C-11
809-065A C-4	809-128 C-41	809-213 N-93	850-003 C-11
809-065C C-4	809-129 C-42	809-240 C-41	850-013 C-13
809-066A C-4	809-130 C-42	809-299 C-7	850-014 C-13
809-066C C-4	809-131 C-44	809-300 C-7	852-006 C-29
809-067 N-5	809-132 C-44	809-301 C-41	852-007 C-29
809-083 N-71	809-133 C-42	809-303 N-10	852-015 C-17
809-087 N-71	809-134 C-42	809-335 C-5	852-016 C-17
809-088 C-44	809-135 C-41	809-369 C-41	852-017 C-17
809-092 N-90	809-136 C-42	809-370 C-45	852-018 C-17
809-093 C-10	809-137 C-42	809-371 C-45	852-030 C-23
809-094 N-11	809-138 C-42	809-372 C-45	852-031 C-23
809-101 C-41	809-141 N-23	809A060 N-41	852-042 C-29
809-107 C-45	809-150 N-9	809B060 N-41	852-043 C-21
809-108 . .N-2 THRU N4	809-155 C-47	809SL060 N-42	852-056 C-25
809-110 C-11	809-165 N-6	809SU060 N-42	852-057 C-25
809-111 C-11	809-173 N-88	811-001-06 K-7	852-082 C-25
809-112 C-12	809-174 C-41	811-003-01 K-8	852-083 C-25
809-113 C-12	809-183 N-15	811-003-02 K-9	852-103 C-19
809-114 C-14	809-189 N-7	811-003-07 K-11	852-104 C-19
809-115 C-14	809-190 N-54	811-004-02 K-9	853-003 C-31
809-116 C-14	809-191 N-54	811-004-07 K-11	853-004 C-31
809-117 C-14	809-198 N-69	811-005-02 K-14	853-013 C-33

SERIES 80 MIGHTY MOUSE Index



SERIES 80
Mighty Mouse Connectors and Cables
Part Number Index



853-014	C-33	859-240	C-41
853-017	C-33	963-001	M-3
853-018	C-33	963-002	M-4
853-024	C-33	963-003	M-5
853-025	C-33	963-005	M-6
854-001	C-38	963-006	M-7
854-002	C-38	M81969/8-07. . . .	C-44
857-034	C-5	M81969/8-08. . . .	C-44
859-006	C-41	M81969/8-09. . . .	C-44
859-013	C-47	M81969/8-10. . . .	C-44
859-014	C-47		
859-025	C-43		
859-026	C-43		
859-042	C-31		
859-042	C-45		
859-046	C-43		
859-047	C-42		
859-048	C-42		
859-049	C-44		
859-049	C-44		
859-050	C-41		
859-051	C-42		
859-072	C-41		
859-124	C-41		
859-125	C-41		
859-126	C-41		
859-134	C-41		
859-134	C-41		
859-135	C-41		
859-164	C-43		