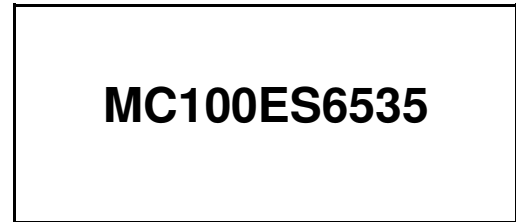


3.3V LVCMOS to LVPECL 1:4 Fanout Buffer

The MC100ES6535 is a low skew, high performance 3.3 V 1-to-4 LVCMOS to LVPECL fanout buffer. The ES6535 has two selectable inputs that allow LVCMOS or LVTTTL input levels which translate to LVPECL outputs. The clock enable is internally synchronized to eliminate runt pulses on the outputs during asynchronous assertion/deassertion of the clock enable pin. The ES6535 is ideal for high performance clock distribution applications.

Features

- 4 differential LVPECL outputs
- 2 selectable LVCMOS/LVTTTL inputs
- 1 GHz maximum output frequency
- Translates LVCMOS/LVTTTL levels to LVPECL levels
- 30 ps maximum output skew
- 190 ps part-to-part skew
- 3.3 V operating range
- 20-lead TSSOP package
- Ambient temperature range -40°C to +85°C



ORDERING INFORMATION

Device	Package
MC100ES6535DT	TSSOP-20
MC100ES6535DTR2	TSSOP-20

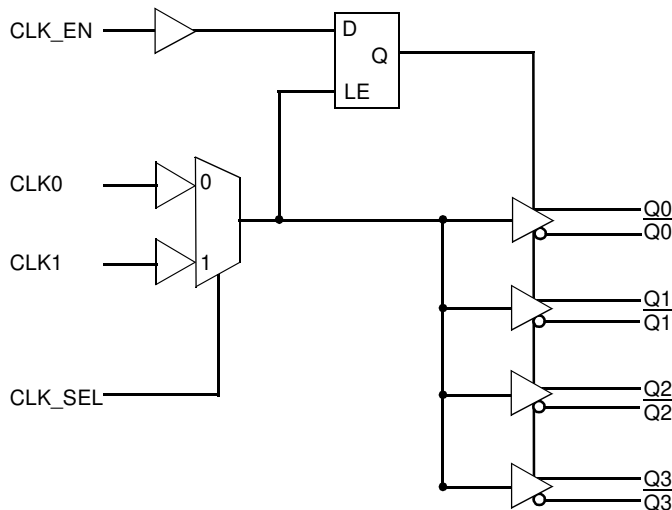


Figure 1. Logic Diagram

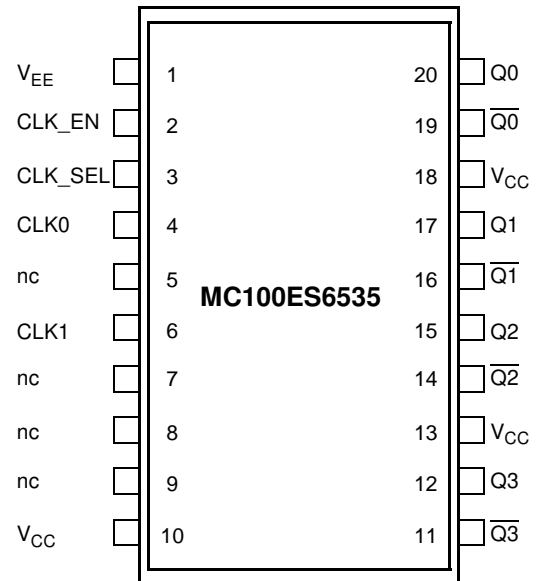


Figure 2. 20-Lead Pinout (Top View)

Freescale Semiconductor, Inc.

Table 1. PIN DESCRIPTION

Number	Name	Type		Description
1	V _{EE}	Power		Negative supply pin
2	CLK_EN	Input	Pullup ^a	Synchronizing clock enable. When HIGH, clock outputs follow clock input. When LOW, Q outputs are forced low, \overline{Q} outputs are forced high. LVCMOS/LVTTL interface levels
3	CLK_SEL	Input	Pulldown ^a	Clock select input. When HIGH, selects CLK1 input. When LOW, selects CLK0 input. LVCMOS/LVTTL interface levels
4	CLK0	Input	Pulldown ^a	LVCMOS/LVTTL clock input
6	CLK1	Input	Pulldown ^a	LVCMOS/LVTTL clock input
5, 7, 8, 9	nc	Unused		No connect
10, 13, 18	V _{CC}	Power		Positive supply pin
11, 12	Q3, $\overline{Q3}$	Output		LVPECL differential output pair
14, 15	Q2, $\overline{Q2}$	Output		LVPECL differential output pair
16, 17	Q1, $\overline{Q1}$	Output		LVPECL differential output pair
19, 20	Q0, $\overline{Q0}$	Output		LVPECL differential output pair

^a Pullup and Pulldown refer to internal input resistors.

Table 2. CONTROL INPUT FUNCTION TABLE^a

Inputs			Outputs	
CLK_EN	CLK_SEL	Selected Source	Q0:Q3	$\overline{Q0}:\overline{Q3}$
0	0	CLK0	Disabled; LOW	Disabled; HIGH
0	1	CLK1	Disabled; LOW	Disabled; HIGH
1	0	CLK0	Enabled	Enabled
1	1	CLK1	Enabled	Enabled

^a After CLK_EN switches, the clock outputs are disabled or enabled following a rising and falling input clock edge. In the active mode, the state of the outputs are a function of the CLK0 and CLK1 inputs as described in Table 3.

Table 3. CLOCK INPUT FUNCTION TABLE

Inputs	Outputs	
CLK0 or CLK1	Q0:Q3	$\overline{Q0}:\overline{Q3}$
0	LOW	HIGH
1	HIGH	LOW

Table 4. GENERAL SPECIFICATIONS

Characteristics		Value
Internal Input Pulldown Resistor		75 kΩ
Internal Input Pullup Resistor		75 kΩ
ESD Protection	Human Body Model	4000 V
	Machine Model	200 V
θ _{JA} Thermal Resistance (Junction-to-Ambient)	0 LFPM, 20 TSSOP	140°C/W
	500 LFPM, 20 TSSOP	100°C/W
Meets or exceeds JEDEC Spec EIA/JESD78 IC Latchup Test		

Table 5. ABSOLUTE MAXIMUM RATINGS^a

Symbol	Rating	Conditions	Rating	Units
V _{SUPPLY}	Power Supply Voltage	Difference between V _{CC} & V _{EE}	3.9	V
V _{IN}	Input Voltage	V _{CC} - V _{EE} ≤ 3.6 V	V _{CC} + 0.3 V _{EE} - 0.3	V V
I _{out}	Output Current	Continuous Surge	50 100	mA mA
T _A	Operating Temperature Range		-40 to +85	°C
T _{store}	Storage Temperature Range		-65 to +150	°C

^a Absolute maximum continuous ratings are those maximum values beyond which damage to the device may occur. Exposure to these conditions or conditions beyond those indicated may adversely affect device reliability. Functional operation at absolute-maximum-rated conditions is not implied.

Table 6. DC CHARACTERISTICS (V_{CC} = 3.135 V to 3.8 V; V_{EE} = 0 V)

Symbol	Characteristic	-40°C			0°C to 85°C			Unit
		Min	Typ	Max	Min	Typ	Max	
I _{EE}	Power Supply Current			35			45	mA
V _{OH} ^a	Output HIGH Voltage	V _{CC} -1150	V _{CC} -1020	V _{CC} -800	V _{CC} -1200	V _{CC} -970	V _{CC} -750	mV
V _{OL}	Output LOW Voltage	V _{CC} -1950	V _{CC} -1620	V _{CC} -1250	V _{CC} -2000	V _{CC} -1680	V _{CC} -1300	mV

^a Outputs are terminated through a 50Ω resistor to V_{CC}-2 volts.

Table 7. LVTTTL / LVCMOS INPUT DC CHARACTERISTICS (V_{CC} = 3.135 V to 3.8 V)

Symbol	Characteristic	Condition	-40°C			0°C to 85°C			Unit
			Min	Typ	Max	Min	Typ	Max	
I _{IN}	Input Current	V _{IN} = V _{CC}			±150			±150	μA
V _{IK}	Input Clamp Voltage	I _{IN} = -18 mA			-1.2			-1.2	V
V _{IH}	Input HIGH Voltage		2.0		V _{CC} +0.3	2.0		V _{CC} +0.3	V
V _{IL}	Input LOW Voltage				0.8			0.8	V

Table 8. AC CHARACTERISTICS ($V_{CC} = 3.135\text{ V to }3.8\text{ V}$, $V_{EE} = 0\text{ V}$)

Symbol	Characteristic	-40°C			25°C			85°C			Unit
		Min	Typ	Max	Min	Typ	Max	Min	Typ	Max	
f_{max}	Maximum Toggle Frequency			1			1			1	GHz
t_{PD}	Propagation Delay to Output Differential	150	350	500	175	360	550	200	380	600	ps
t_{SKEW}	Skew Output-to-Output Part-to-Part		20	30		20	30		20	30	ps
				190			190			190	ps
t_{JITTER}	Cycle-to-Cycle Jitter RMS (1σ)			1			1			1	ps
V_{outPP}	Output Peak-to-Peak Voltage	350	750		350	750		350	750		mV
t_r/t_f	Output Rise/Fall Time (20%–80% @ 50 MHz)	50		400	50		400	50		400	ps

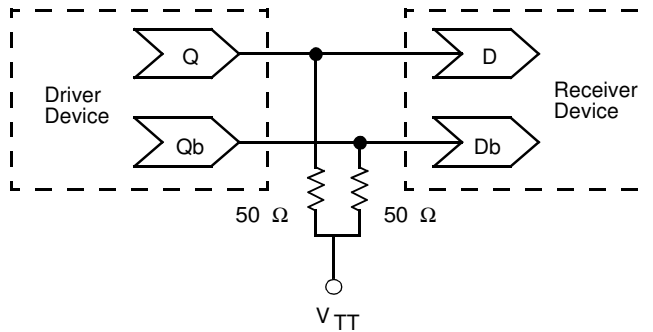
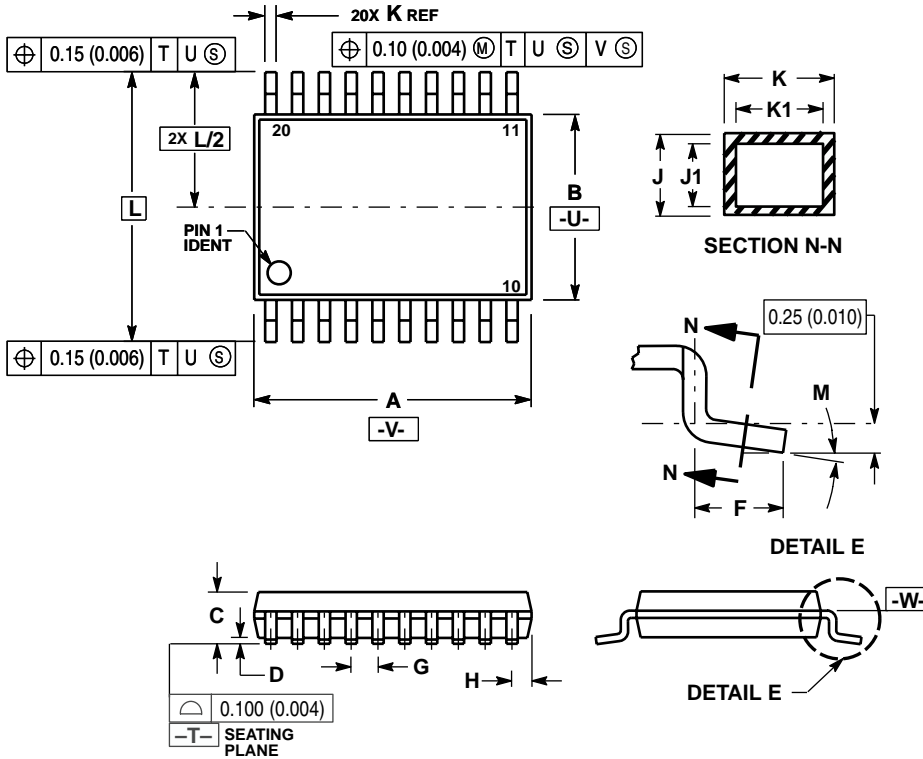


Figure 3. Typical Termination for Output Driver and Device Evaluation

OUTLINE DIMENSIONS

TSSOP-20
DT SUFFIX
20-LEAD TSSOP PACKAGE
CASE 948E-02
ISSUE A



NOTES:

1. DIMENSIONING AND TOLERANCING PER ANSI Y14.5M, 1982.
2. CONTROLLING DIMENSION: MILLIMETER.
3. DIMENSION A DOES NOT INCLUDE MOLD FLASH, PROTRUSIONS OR GATE BURRS. MOLD FLASH OR GATE BURRS SHALL NOT EXCEED 0.15 (0.006) PER SIDE.
4. DIMENSION B DOES NOT INCLUDE INTERLEAD FLASH OR PROTRUSION. INTERLEAD FLASH OR PROTRUSION SHALL NOT EXCEED 0.25 (0.010) PER SIDE.
5. DIMENSION K DOES NOT INCLUDE DAMBAR PROTRUSION. ALLOWABLE DAMBAR PROTRUSION SHALL BE 0.08 (0.003) TOTAL IN EXCESS OF THE K DIMENSION AT MAXIMUM MATERIAL CONDITION.
6. TERMINAL NUMBERS ARE SHOWN FOR REFERENCE ONLY.
7. DIMENSION A AND B ARE TO BE DETERMINED AT DATUM PLANE -W-.

DIM	MILLIMETERS		INCHES	
	MIN	MAX	MIN	MAX
A	6.40	6.60	0.252	0.260
B	4.30	4.50	0.169	0.177
C	---	1.20	---	0.047
D	0.05	0.15	0.002	0.006
F	0.50	0.75	0.020	0.030
G	0.65 BSC		0.026 BSC	
H	0.27	0.37	0.011	0.015
J	0.09	0.20	0.004	0.008
J1	0.09	0.16	0.004	0.006
K	0.19	0.30	0.007	0.012
K1	0.19	0.25	0.007	0.010
L	6.40 BSC		0.252 BSC	
M	0°	8°	0°	8°

NOTES

NOTES

Freescale Semiconductor, Inc.

Information in this document is provided solely to enable system and software implementers to use Motorola products. There are no express or implied copyright licenses granted hereunder to design or fabricate any integrated circuits or integrated circuits based on the information in this document.

Motorola reserves the right to make changes without further notice to any products herein. Motorola makes no warranty, representation or guarantee regarding the suitability of its products for any particular purpose, nor does Motorola assume any liability arising out of the application or use of any product or circuit, and specifically disclaims any and all liability, including without limitation consequential or incidental damages. "Typical" parameters which may be provided in Motorola data sheets and/or specifications can and do vary in different applications and actual performance may vary over time. All operating parameters, including "Typicals" must be validated for each customer application by customer's technical experts. Motorola does not convey any license under its patent rights nor the rights of others. Motorola products are not designed, intended, or authorized for use as components in systems intended for surgical implant into the body, or other applications intended to support or sustain life, or for any other application in which the failure of the Motorola product could create a situation where personal injury or death may occur. Should Buyer purchase or use Motorola products for any such unintended or unauthorized application, Buyer shall indemnify and hold Motorola and its officers, employees, subsidiaries, affiliates, and distributors harmless against all claims, costs, damages, and expenses, and reasonable attorney fees arising out of, directly or indirectly, any claim of personal injury or death associated with such unintended or unauthorized use, even if such claim alleges that Motorola was negligent regarding the design or manufacture of the part.

MOTOROLA and the Stylized M Logo are registered in the US Patent and Trademark Office. All other product or service names are the property of their respective owners.

© Motorola, Inc. 2004

HOW TO REACH US:

USA/EUROPE/LOCATIONS NOT LISTED:
Motorola Literature Distribution
P.O. Box 5405, Denver, Colorado 80217
1-800-521-6274 or 480-768-2130

JAPAN: Motorola Japan Ltd.; SPS, Technical Information Center
3-20-1 Minami-Azabu, Minato-ku, Tokyo 106-8573, Japan
81-3-3440-3569

ASIA/PACIFIC: Motorola Semiconductors H.K. Ltd.; Silicon Harbour Centre
2 Dai King Street, Tai Po Industrial Estate, Tai Po, N.T., Hong Kong
852-26668334

HOME PAGE: <http://motorola.com/semiconductors>



MOTOROLA

**For More Information On This Product,
Go to: www.freescale.com**

MC100ES6535