

## SE-CS30 SERIES

### Current Sensor



### Description

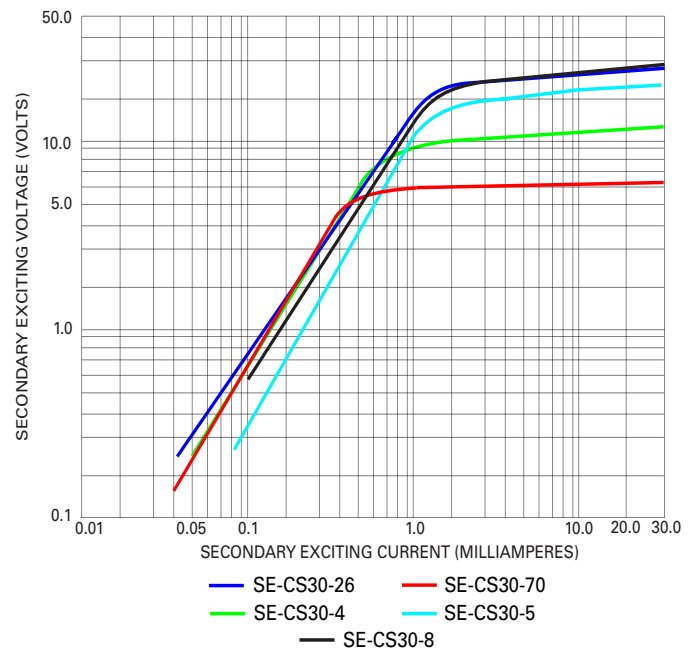
The SE-CS30 series is a sensitive nickel-core current transformer used with Littelfuse relays to detect low levels of earth-leakage current.

### Specifications

<b>Turns Ratio</b>	600:1
<b>Current Rating</b>	30:0.05 A
<b>Accuracy</b>	3% @ 0.06 VA
<b>Frequency</b>	50-400 Hz
<b>Insulation Level</b>	600 V
<b>Operating Temperature</b>	-55 to 60°C (-67 to 140°F)
<b>Application</b>	FPU-32, FPS, MPU-32, MPS, PGR-6100, PGR-6101, SE-330, SE-701, SE-704
<b>Certification</b>	CSA, UL, CE
<b>Compliance</b>	RoHS, IEC 60044-1

### Ordering Information

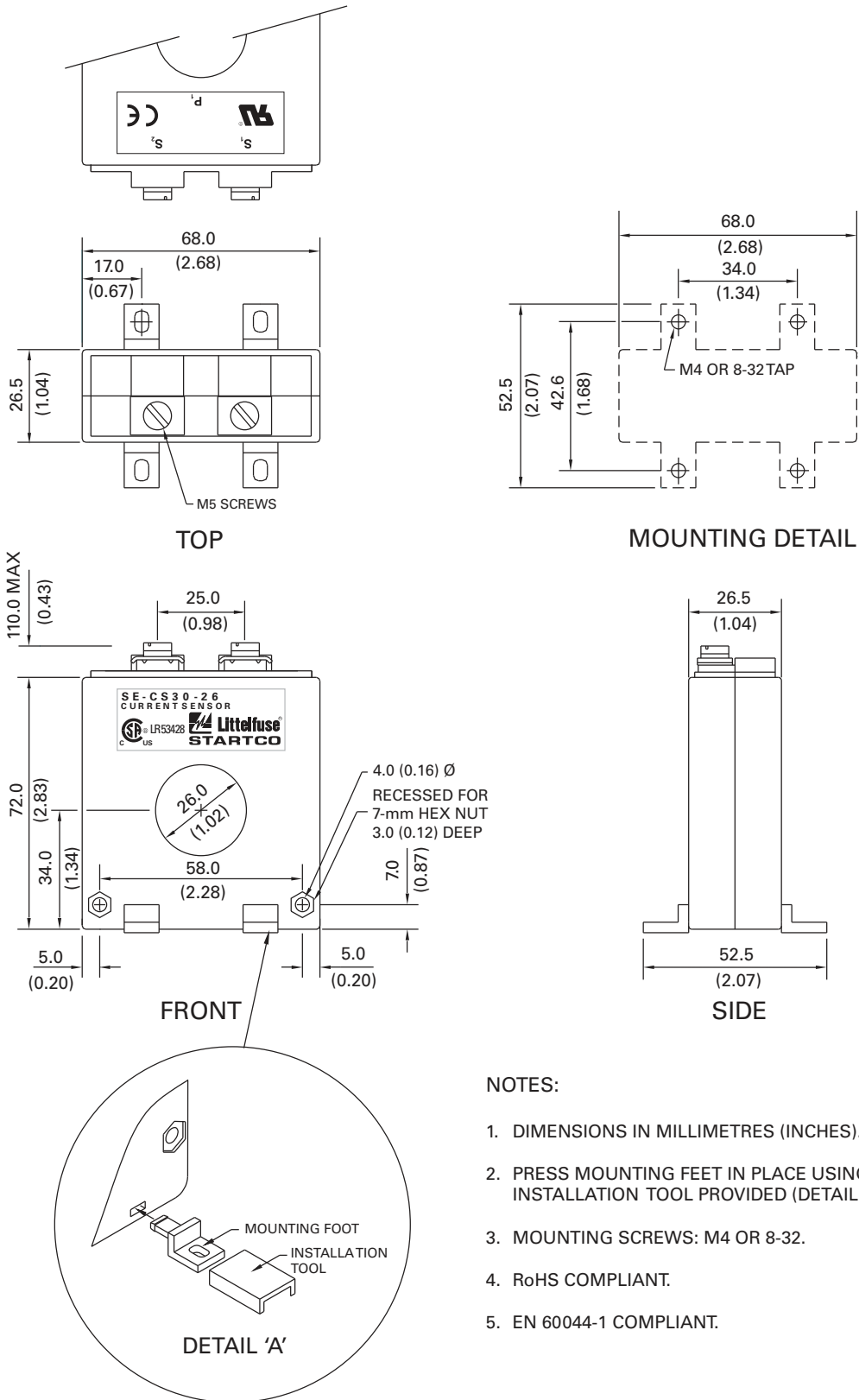
ORDERING NUMBER	WINDOW SIZE, ID	WEIGHT
SE-CS30-26	26 mm (1.0")	0.5 kg (1.0 lb)
SE-CS30-70	70 mm (2.8")	1.2 kg (2.5 lb)
SE-CS30-4	95 mm (3.7")	1.3 kg (3.0 lb)
SE-CS30-5	140 mm (5.5")	2.1 kg (4.6 lb)
SE-CS30-8	200 mm (7.9")	4.3 kg (9.4 lb)



# SE-CS30 SERIES

## Dimensions and Mounting Diagram

### SE-CS30-26



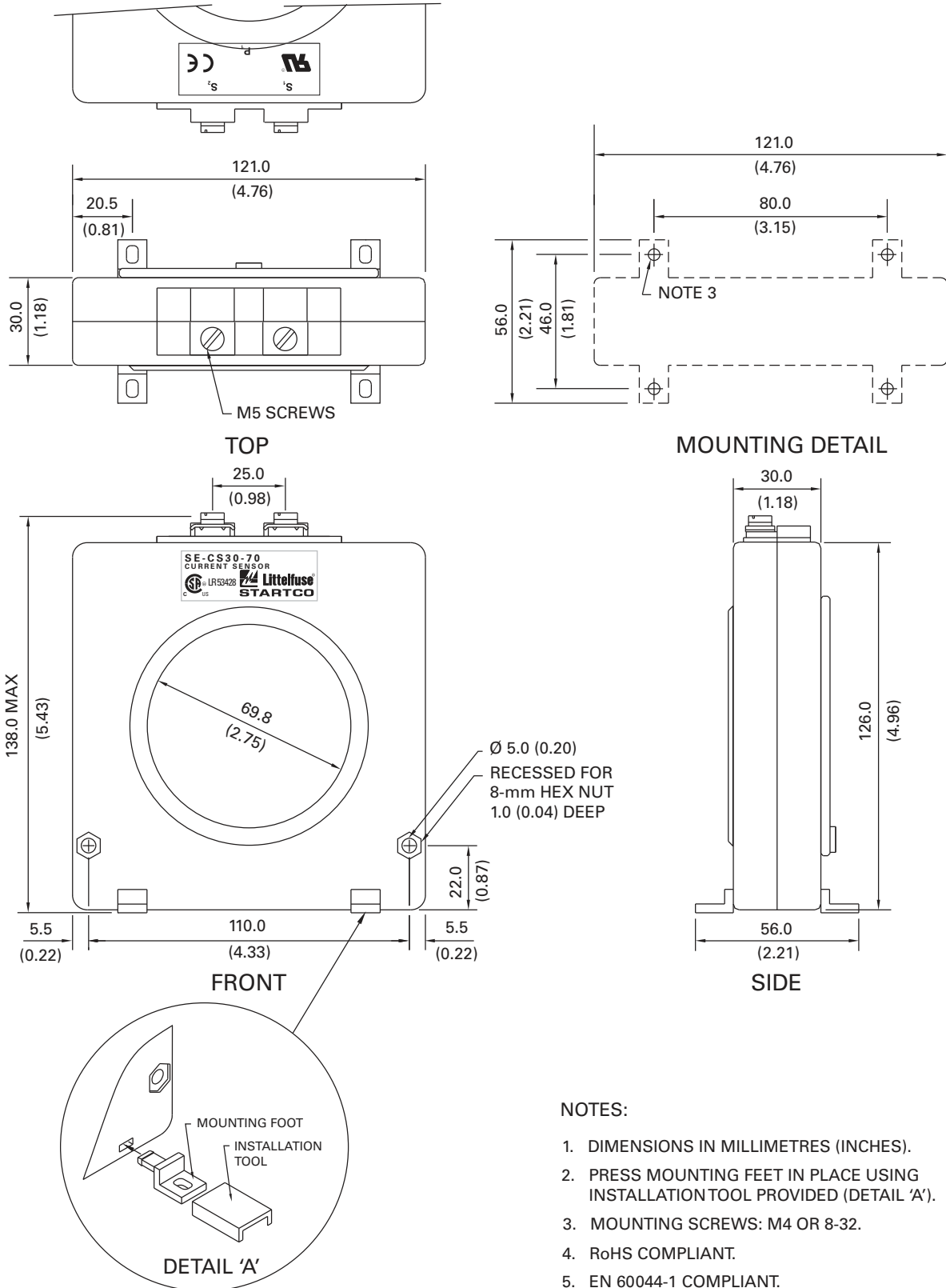
**NOTES:**

1. DIMENSIONS IN MILLIMETRES (INCHES).
2. PRESS MOUNTING FEET IN PLACE USING INSTALLATION TOOL PROVIDED (DETAIL 'A').
3. MOUNTING SCREWS: M4 OR 8-32.
4. RoHS COMPLIANT.
5. EN 60044-1 COMPLIANT.

# SE-CS30 SERIES

## Dimensions and Mounting Diagram

### SE-CS30-70

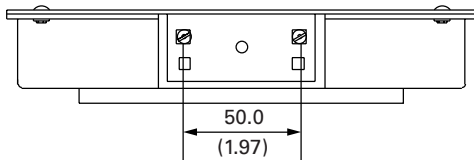


**NOTES:**

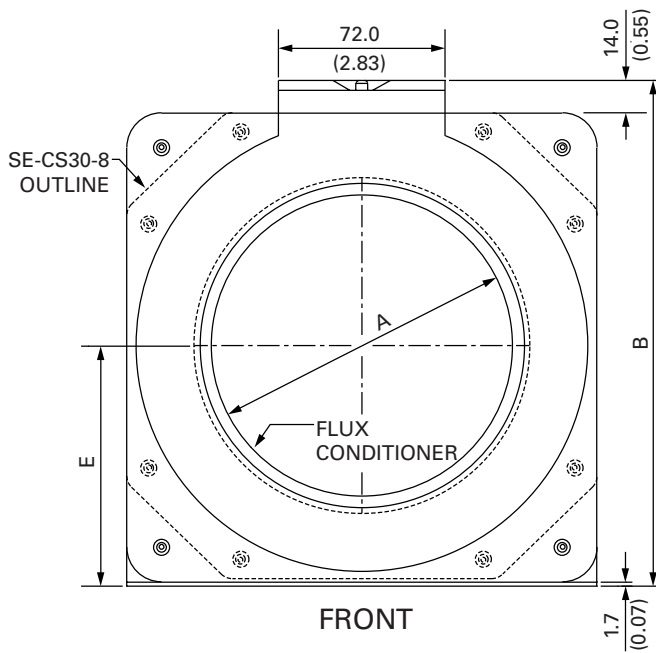
1. DIMENSIONS IN MILLIMETRES (INCHES).
2. PRESS MOUNTING FEET IN PLACE USING INSTALLATION TOOL PROVIDED (DETAIL 'A').
3. MOUNTING SCREWS: M4 OR 8-32.
4. RoHS COMPLIANT.
5. EN 60044-1 COMPLIANT.

# SE-CS30 SERIES

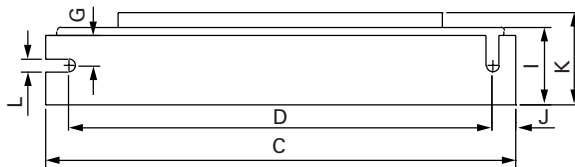
## Dimensions and Mounting Diagram SE-CS30-4, SE-CS30-5, and SE-CS30-8



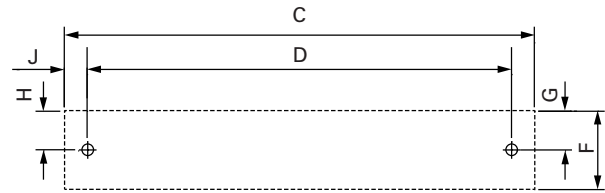
TOP (COVER REMOVED)



FRONT



BOTTOM



MOUNTING DETAIL

NOTES:

1. DIMENSIONS IN MILLIMETRES (INCHES).
2. MOUNTING SCREWS: M5 OR 10-32.
3. RoHS COMPLIANT.
4. CE COMPLIANT.

	DIMENSIONS		
	SE-CS30-4	SE-CS30-5	SE-CS30-8
A	95.0 (3.74)	130.0 (5.12)	200.0 (7.87)
B	175.0 (6.89)	218.0 (8.78)	309.0 (12.17)
C	158.0 (6.22)	203.0 (7.99)	290.5 (11.44)
D	141.0 (5.55)	178.0 (7.01)	267.5 (10.50)
E	82.0 (3.22)	103.5 (4.07)	150.0 (5.90)
F	32.0 (1.26)	32.0 (1.26)	34.0 (1.34)
G	17.5 (0.69)	11.0 (0.43)	11.0 (0.43)
H	15.0 (0.59)	13.3 (0.52)	13.3 (0.52)
I	33.0 (1.30)	34.0 (1.34)	43.0 (1.69)
J	9.0 (0.35)	11.0 (0.43)	11.5 (0.45)
K	40.0 (1.57)	40.0 (1.57)	50.0 (1.97)
L	5.3 (0.21)	7.0 (0.28)	7.0 (0.28)