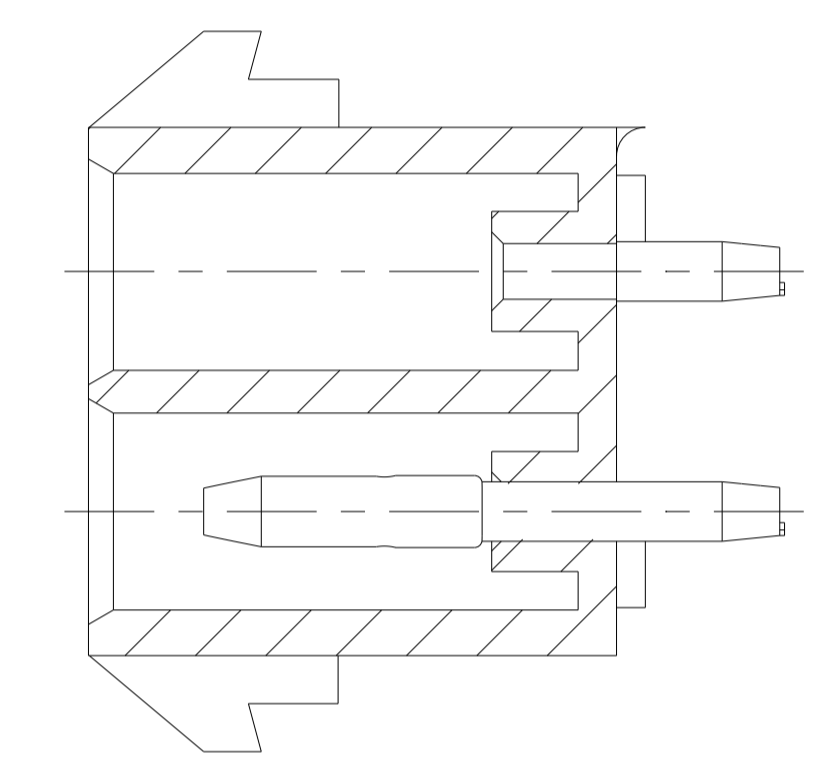
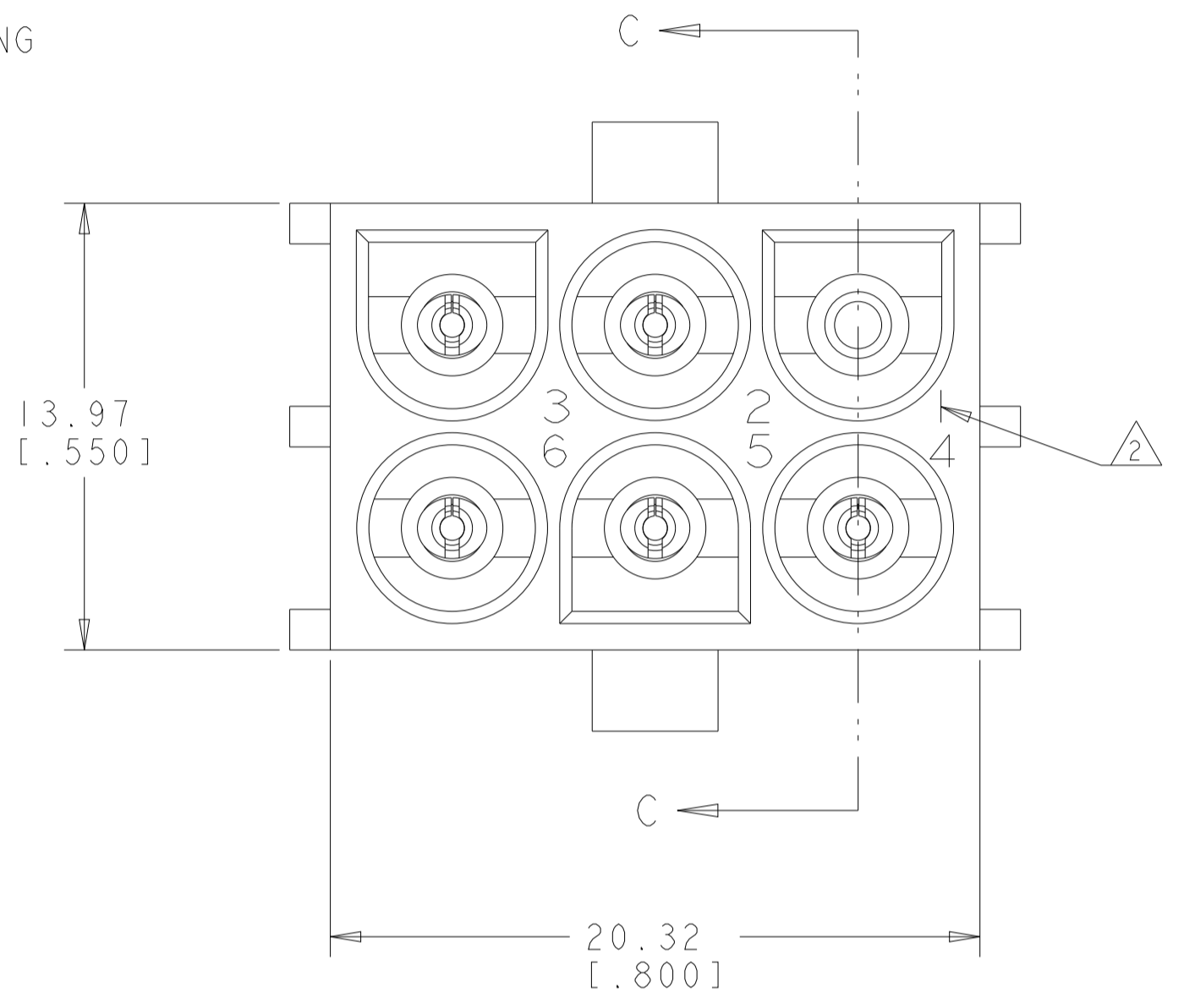
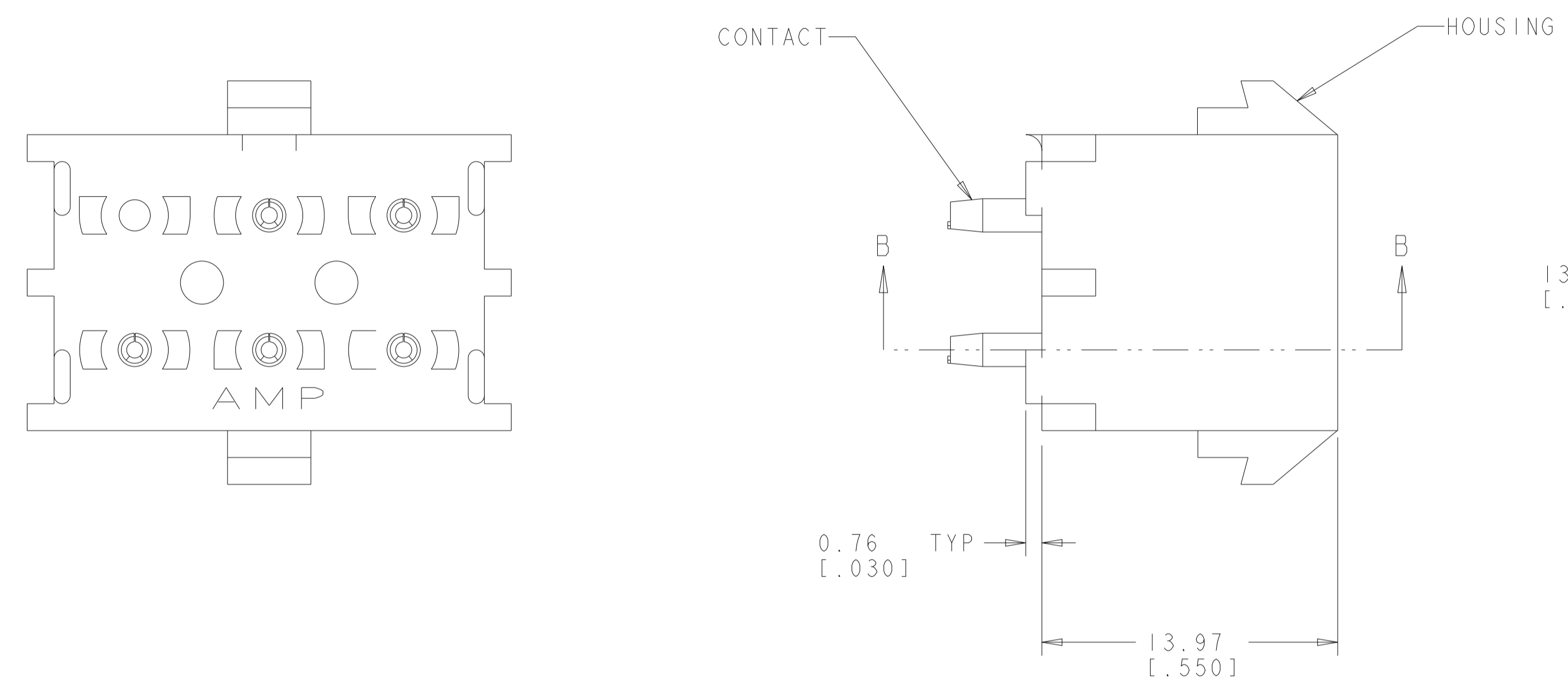
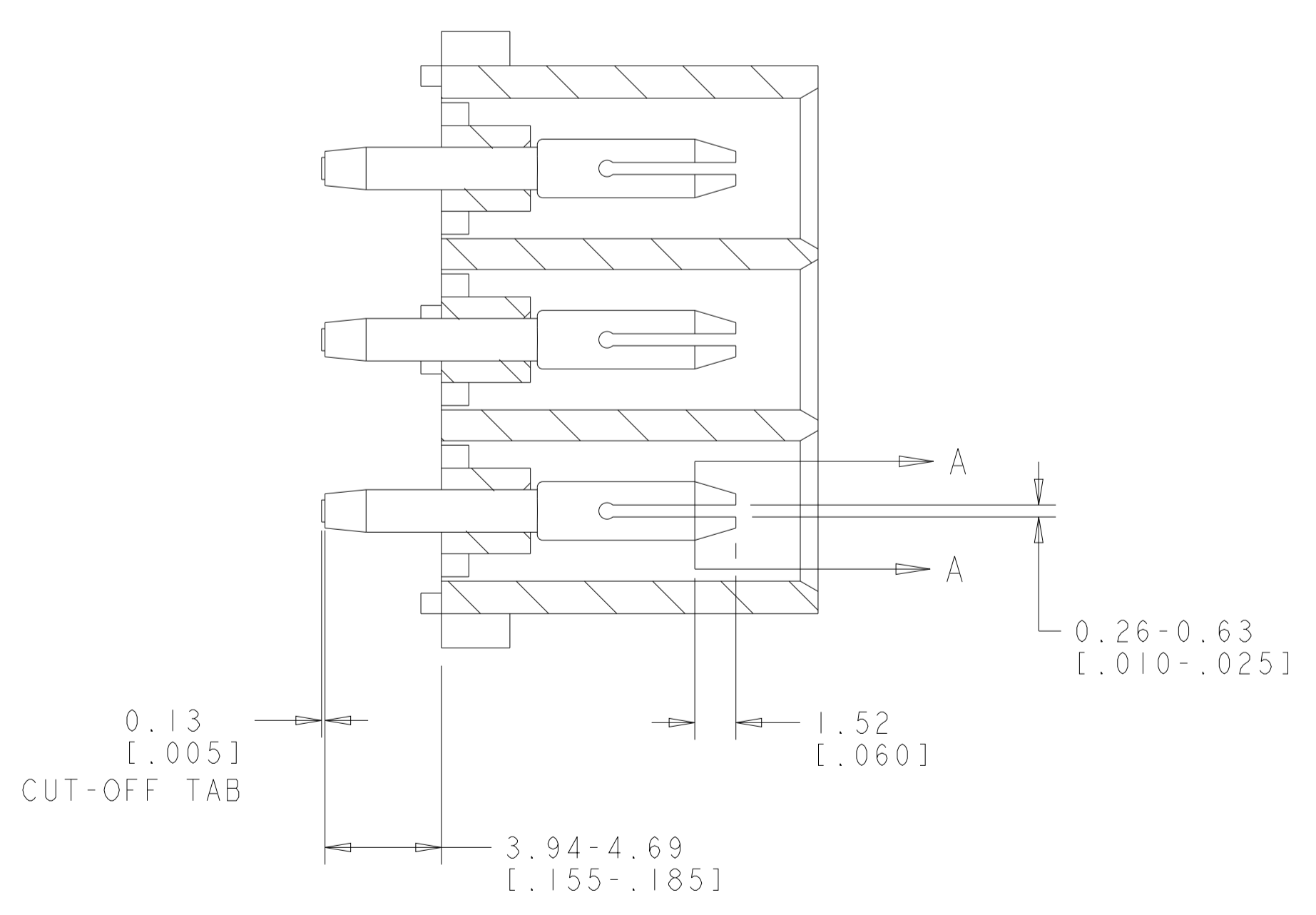
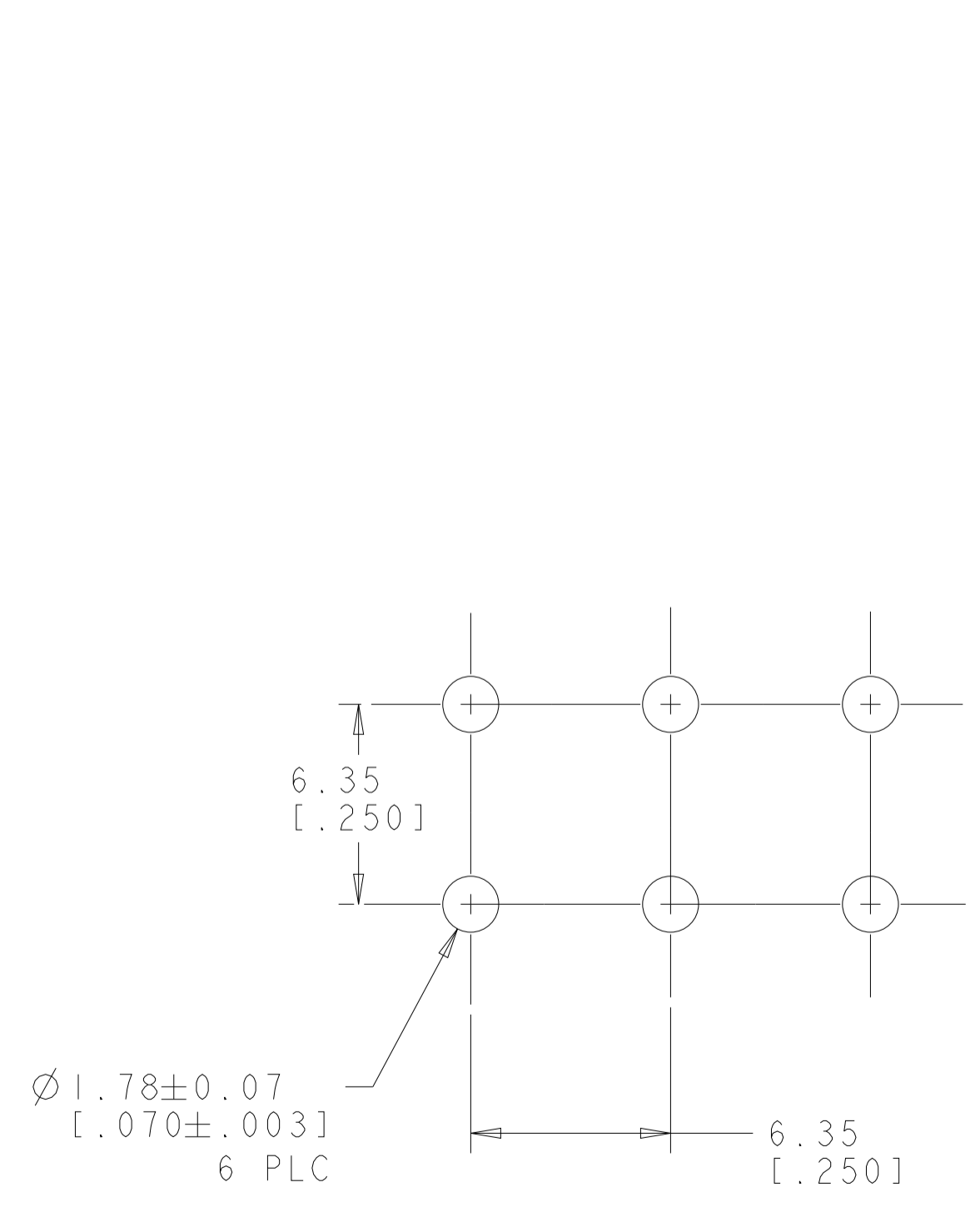


LOC		DIST		REVISIONS			
P	LTN	DESCRIPTION	DATE	DWN	APVD		
A		RELEASED PER WR-05-27	03MAY05	KW	SR		
A1		REVISED PER ECR-21-118133	22OCT2021	SS	VS		

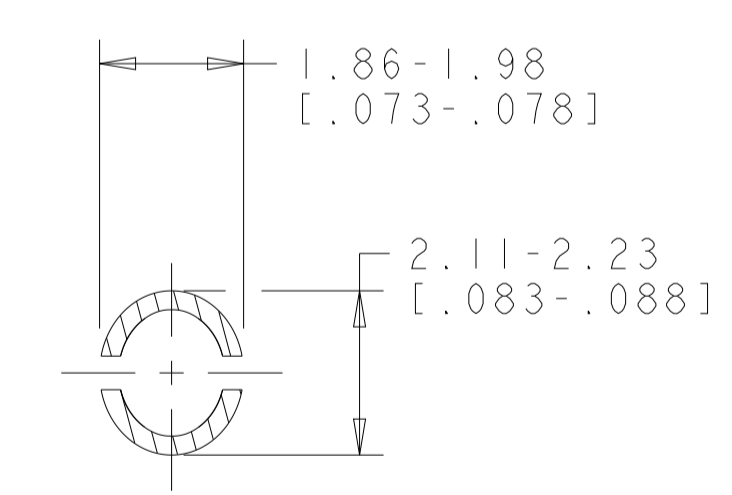
- PARTS COMPLY TO AMP SOLDERABILITY SPECIFICATION 109-11-3.
- CIRCUIT IDENTIFICATION CHARACTERS ARE ADJACENT TO THE INDICATED CAVITIES, BUT LOCATION AND ORIENTATION MAY DIFFER FROM PRINT.
- DIMENSIONS IN BRACKETS ARE IN INCHES.
- DIMENSIONS SHOWN REPRESENT PRODUCT IN DRY CONDITION. ADDITIONAL 2% GROWTH DUE TO END USE LOCATION MOISTURE ABSORPTION MAY OCCUR AND SHOULD BE ACCOUNTED FOR.



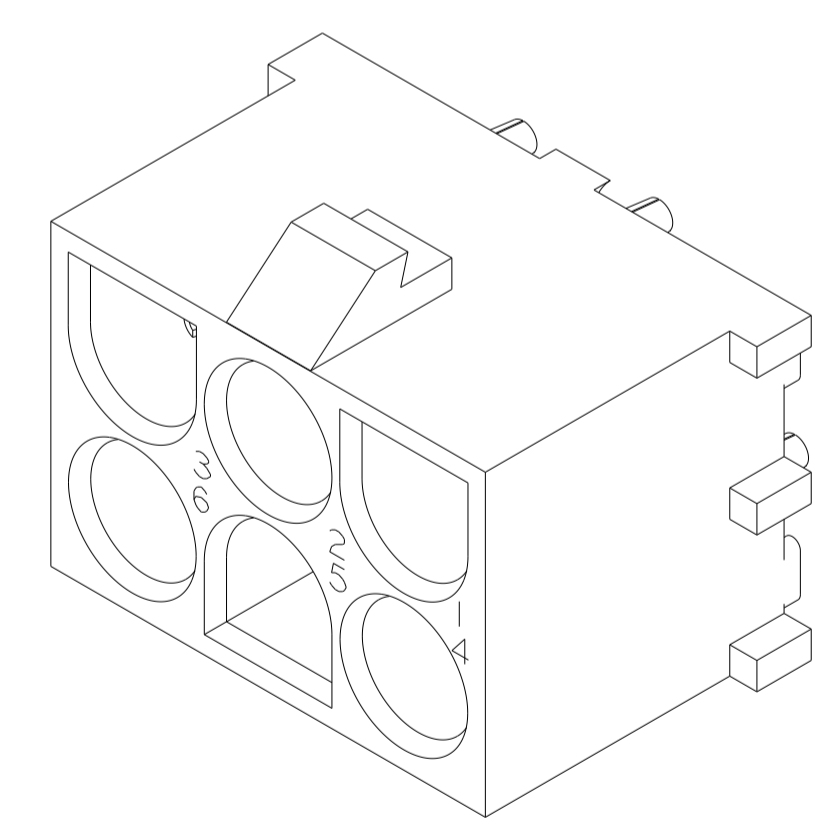
SECTION C-C



SECTION B-B



SECTION A-A
SCALE 10:1

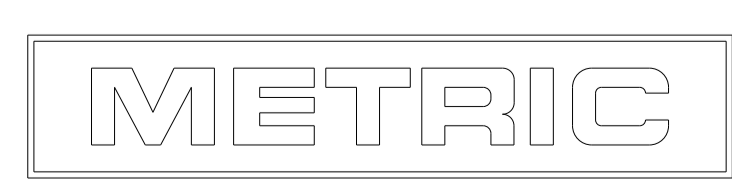


SCALE 4:1

1586680-1 SHOWN

5	PHOSPOR BRONZE, PRE-TIN	NYLON, UL94V-0, WHITE	1586680-5
1	PHOSPOR BRONZE, PRE-TIN	NYLON, UL94V-0, WHITE	1586680-1
PIN NO OMITTED	PIN CONTACT MATERIAL AND FINISH	HOUSING MATERIAL AND COLOR	PART NUMBER

RECOMMENDED MOUNTING HOLE PATTERN FOR 1.57 [0.062] THICK P.C. BOARD HOLE THAT CORRESPONDS TO REMOVED CONTACT CAN BE OMITTED



DIMENSIONS: mm [INCHES]		TOLERANCES UNLESS OTHERWISE SPECIFIED:		DWN: R. WHITAKER 24-NOV-03		Tyco Electronics Harrisburg, PA 17105-3608	
0 PLC	±	0 PLC	±0.131 (0.005)	CHK: S. RIDGILL 24-NOV-03	NAME: PIN HEADER ASSEMBLY, 6 CIRCUIT, STANDARD TAIL, SELECTIVELY LOADED, UNIVERSAL MATE-N-LOK(TM)		RESTRICTED TO
1 PLC	±	1 PLC	±	APVD: S. RIDGILL 24-NOV-03	SIZE: A1		
2 PLC	±	2 PLC	±	PRODUCT SPEC	CAGE CODE: 00779		
3 PLC	±	3 PLC	±	APPLICATION SPEC	DRAWING NO: 1586680		
4 PLC	±	4 PLC	±	FINISH: SEE TABLE	SCALE: 5:1		
5 PLC	±	5 PLC	±	ANGLES: 40° 30'	SHEET 1 OF 1		
6 PLC	±	6 PLC	±	WEIGHT: -	REV: A1		
FINISH: SEE TABLE		CUSTOMER DRAWING					