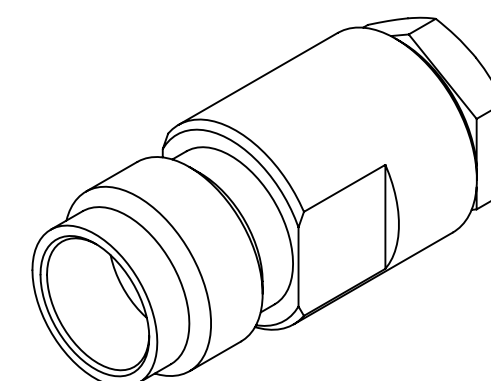
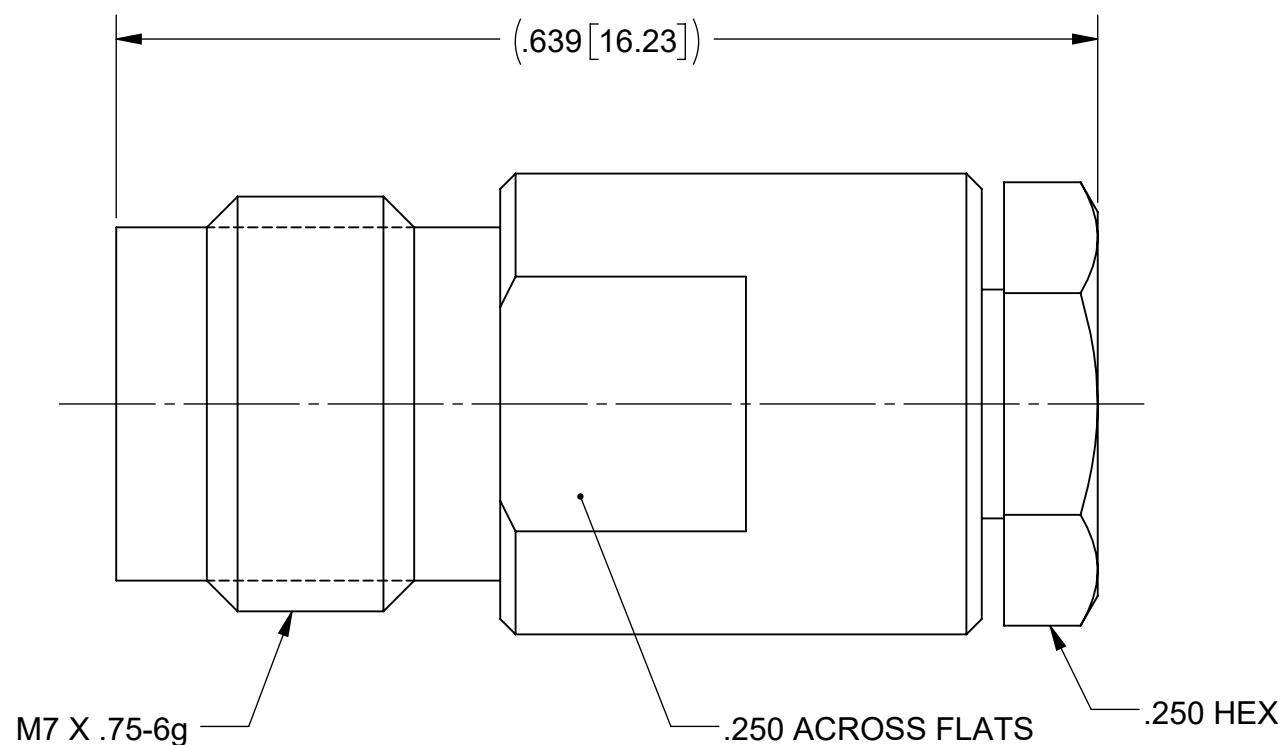
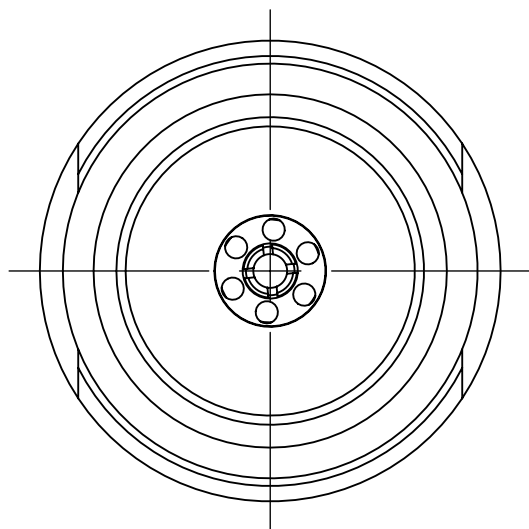


# PRODUCT DATA DRAWING

REVISION HISTORY			
REV	DESCRIPTION	DATE	APPROVED
-	REV. DCN 40100	10/01/13	STW
A	REV. DCN 41068	01/21/15	STW
B	DCN 50496	01/19/21	STW



**MATERIAL:**

BODY, FERRULE,  
CLAMP NUT &  
INSERTS:

STAINLESS STEEL PER AMS-5640,  
ALLOY UNS S30300, TYPE 1 OR ASTM A582, TYPE 303

CONTACT:

BERYLLIUM COPPER PER ASTM B196,  
ALLOY No. UNS C17300, TD04

INSULATOR:

POLYETHERIMIDE (ULTEM) PER ASTM D5205

**FINISH:**

BODY, CLAMP NUT &  
INSERTS:

PASSIVATED PER AMS-2700.

FERRULE &  
CONTACT:

GOLD PER ASTM B488, TYPE II, CODE C, CLASS .76,  
OVER NICKEL PER AMS-QQ-N-290, CLASS 1, .000050" MIN.

**PERFORMANCE:**

IMPEDANCE: 50 OHMS  
FREQ. RANGE: DC TO 65.0 GHz  
VSWR: 1.33:1 DC TO 65.0 GHz  
INSERTION LOSS: .03 X SQRT(F(F IN GHz))  
DWV: 500 VRMS  
OPERATING TEMP.: -55 °C TO +125 °C

ENGAGEMENT/  
DISENGAGEMENT: 2 IN-LBS

MATERIAL: SEE NOTES	DIMENSIONS ARE IN INCHES TOLERANCES: FRACTIONAL: ±1/64 ANGULAR: X° ±1'0" X°X' ±15'	UNLESS OTHERWISE SPECIFIED 1) ALL DIMENSIONS ARE IN INCHES (MILLIMETERS) 2) ALL DIMENSIONS ARE AFTER PLATING. 3) BREAK CORNERS & EDGES .005 R. MAX. 4) CHAM. 1ST & LAST THREADS. 5) SURFACE ROUGHNESS 63-MIL-STD-10. 6) DIA.'S ON COMMON CENTERS TO BE CONCENTRIC WITHIN .005 T.I.R. 7) REMOVE ALL BURRS	<b>SV Microwave, Inc.</b> www.svmicrowave.com TITLE: 1.85MM JACK FOR Ø.085 SEMI-RIGID CABLE SIZE DWG. NO. B SF3321-60006 SCALE: 8:1 SHEET 1 OF 1
FINISH: SEE NOTES	DECIMAL: X ±.030 .XX ±.010 .XXX ±.005	INTERPRET DIMENSIONS AND TOLERANCES PER ASME Y14.5M - 1994	
SURFACE AREA: N/A	THIRD ANGLE PROJECTION	DRAWN: JMC10/01/13 CHECKED: STW 10/01/13 APPROVED: STW 10/01/13	
<b>PROPRIETARY</b> THE INFORMATION CONTAINED IN THIS DRAWING IS THE SOLE PROPERTY OF SV MICROWAVE, INC. ANY REPRODUCTION IN PART OR AS A WHOLE WITHOUT THE WRITTEN PERMISSION OF SV MICROWAVE, INC IS PROHIBITED.			