

MATERIALS AND FINISHES

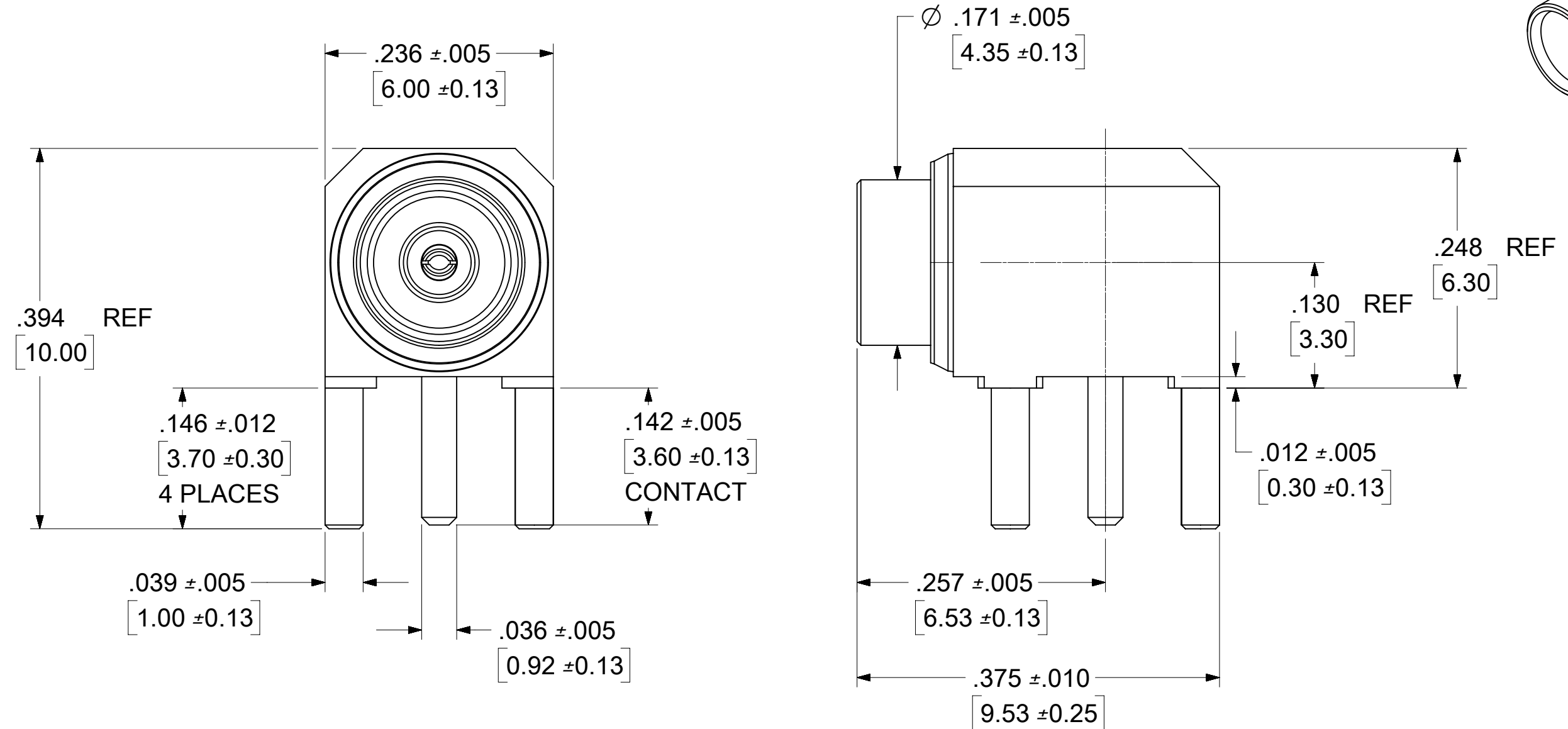
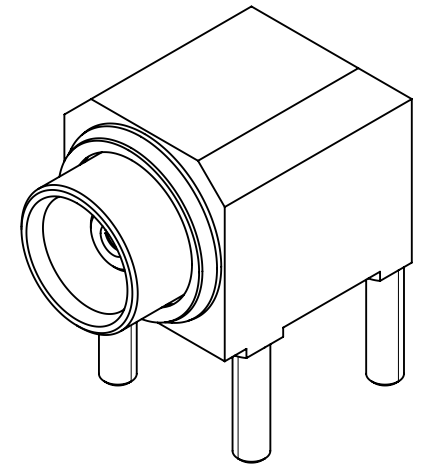
(73366-0030)
FRONT BODY BRASS
PLATED NICKEL

(73366-0032)
FRONT BODY BRASS
PLATED GOLD

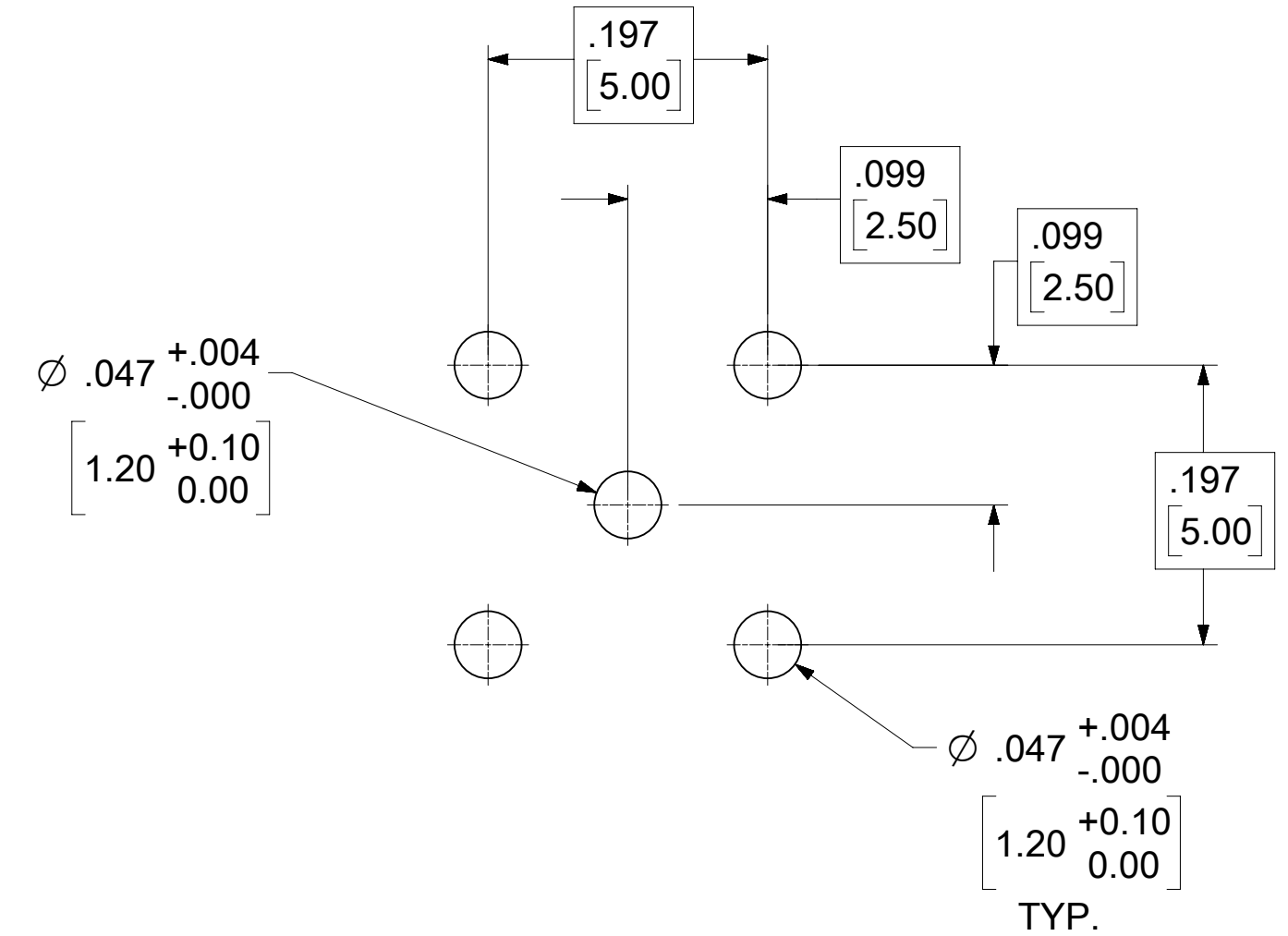
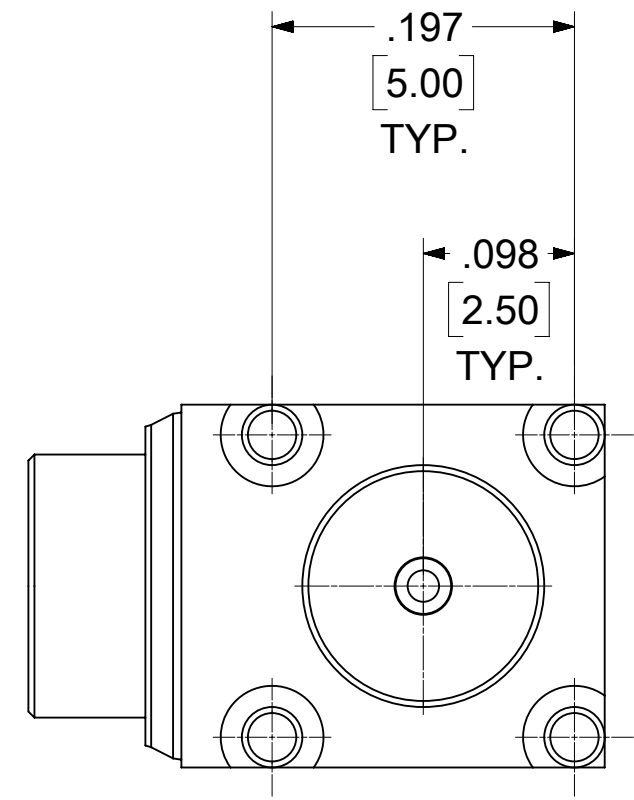
CENTER CONTACT BERYLLIUM COPPER
PLATED GOLD

INSULATOR TEFLON

HOUSING ZINC ALLOY
PLATED TIN



VOID →	73366-0036	73366-0032 PACKED BY TRAY (54CAV.)
	73366-0035	73366-0030 PACKED ONE PER BAG
VOID →	73366-0034	73366-0031 SMALL TRAY (20 CAV.)
	73366-0033	73366-0030 SMALL TRAY (20 CAV.)
	73366-0032	TAPE & REEL
VOID →	73366-0031	TRAY (80 CAV.)
	73366-0030	TRAY (80 CAV.)
	PART NO.	PACKAGING DESCRIPTION



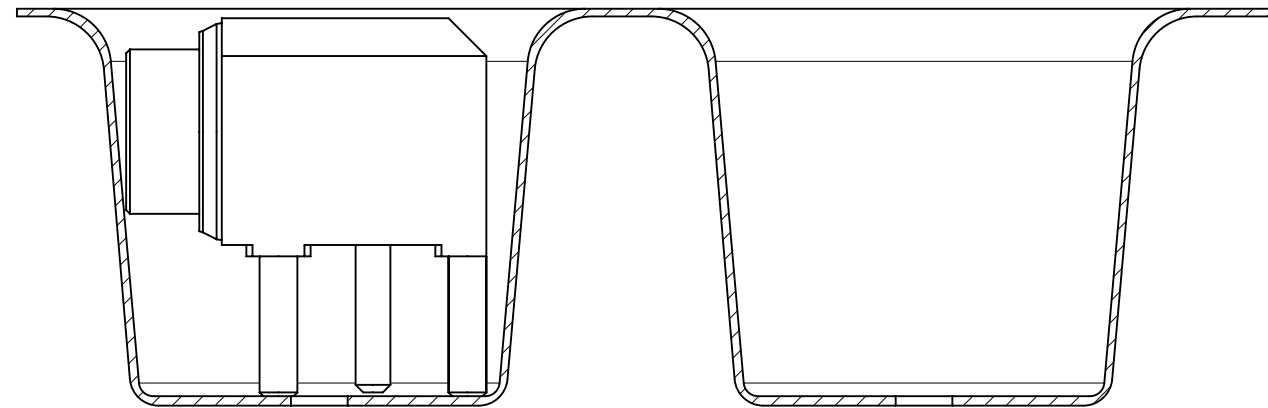
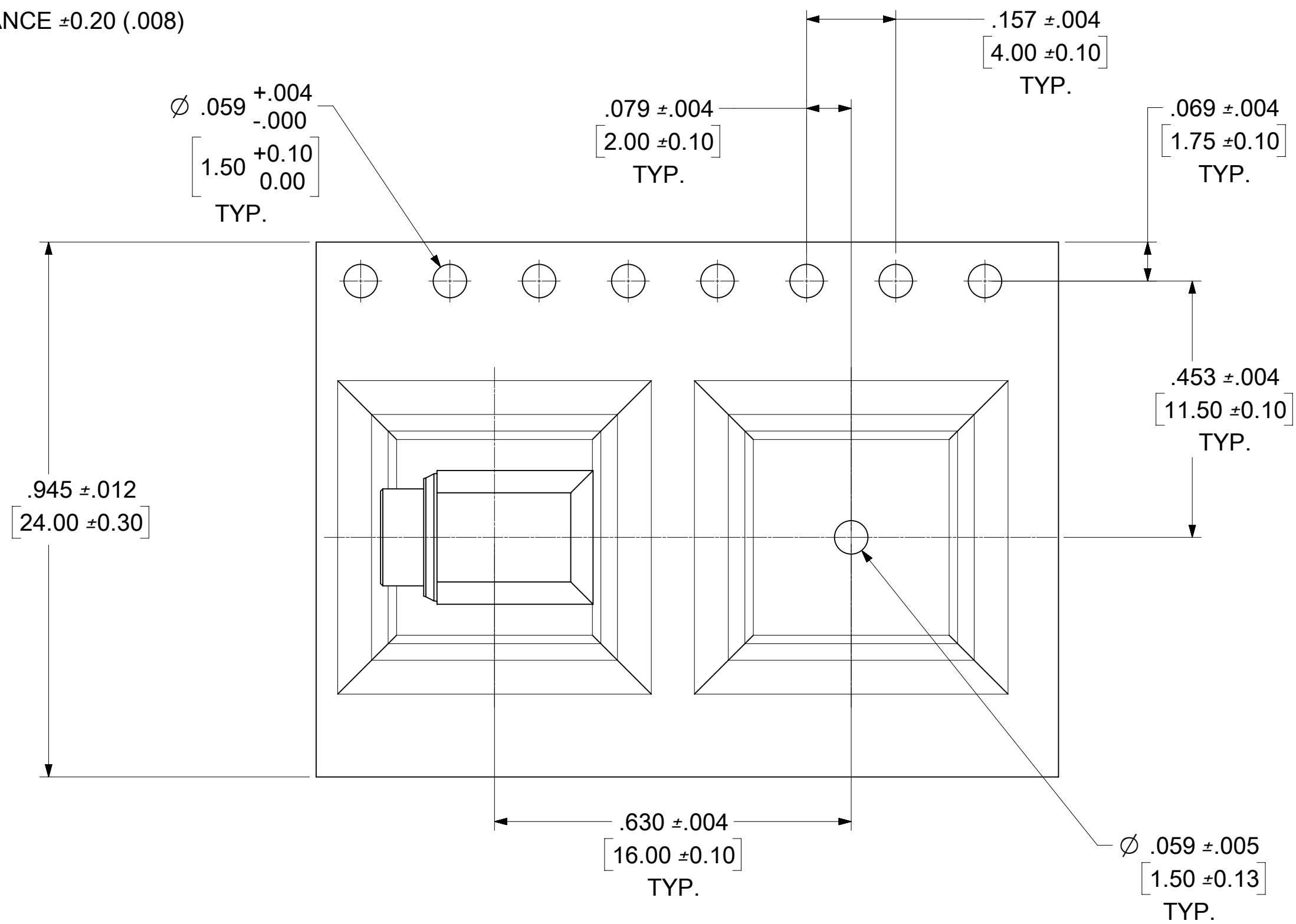
RECOMMENDED MOUNTING PATTERN

PS-89675-1830	PRODUCT SPECIFICATION
SPECIFICATION	DESCRIPTION

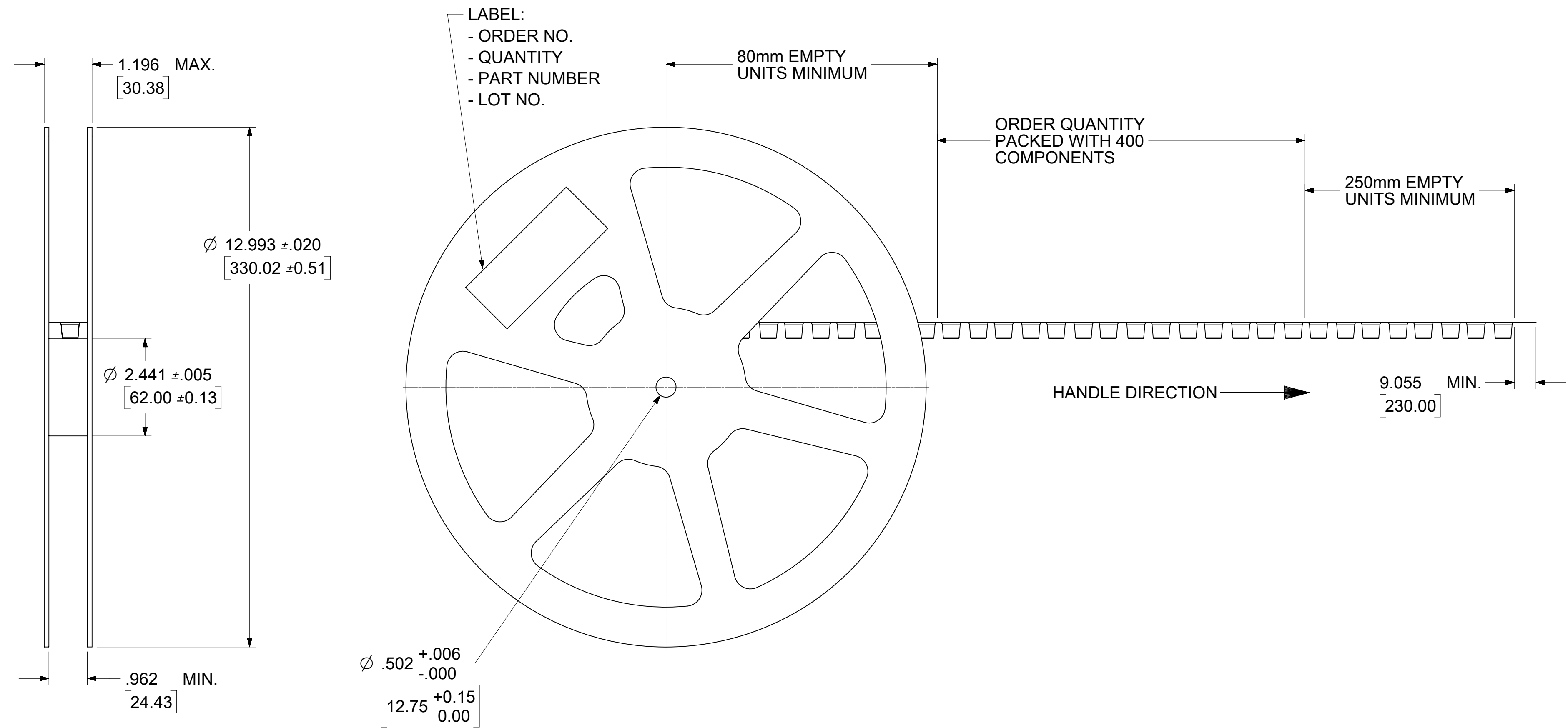
D	2020/03/26	VOID -0031 & -0034 PER EWR13695-A
C9	2019/04/06	MIGRATE TO ECTR; SHEET1: TOL. $.146 \pm .012$ WAS $.005$; SHEET2: TOL. $.945 \pm .012$ WAS $.004$; SHEET3: PACKING QTY 400 WAS 750 (TYPO); PER EWR 12988
REV.	DATE	DESCRIPTION

FUNCTIONAL SYMBOLS FA = 0 FC = 0 FP = 0	THIS DRAWING CONTAINS INFORMATION THAT IS PROPRIETARY TO MOLEX ELECTRONIC TECHNOLOGIES, LLC AND SHOULD NOT BE USED WITHOUT WRITTEN PERMISSION		CURRENT REV DESC:			
	DIMENSION UNITS	SCALE				
	INCH	NTS			MCX JACK R/A PCB 50 OHM MCX-J/RA/PCB	
	GENERAL TOLERANCES (UNLESS SPECIFIED)					
	ANGULAR TOL ± 2.0°				PRODUCT CUSTOMER DRAWING	
	4 PLACES	±				
	3 PLACES	±			DOCUMENT NUMBER SD-73366-003	
	2 PLACES	±				
	1 PLACE	±			DOC TYPE PSD	
	0 PLACES	±				
	DRAFT WHERE APPLICABLE MUST REMAIN WITHIN DIMENSIONS		THIRD ANGLE PROJECTION	DRAWING	SERIES	MATERIAL NUMBER SEE TABLE
				C-SIZE	73366	
						SHEET NUMBER 1 OF 3

NOTES:
 1. PACKAGING DETAILS FOR 73366-0032
 2. 10 PITCHES CUMULATIVE TOLERANCE ±0.20 (.008)



FUNCTIONAL SYMBOLS $\frac{F}{A} = 0$ $\frac{F}{C} = 0$ $\frac{F}{P} = 0$ DIVISIONAL SYMBOLS 4 PLACES ± 3 PLACES ± 2 PLACES ± 1 PLACE ± 0 PLACES ±	THIS DRAWING CONTAINS INFORMATION THAT IS PROPRIETARY TO MOLEX ELECTRONIC TECHNOLOGIES, LLC AND SHOULD NOT BE USED WITHOUT WRITTEN PERMISSION		CURRENT REV DESC:						
	DIMENSION UNITS	SCALE	EC NO: 634743					DOCUMENT NUMBER	DOC TYPE
	INCH	NTS	DRWN: CWEI02		SD-73366-003	PSD	001	D	
	GENERAL TOLERANCES (UNLESS SPECIFIED)		2020/03/26		PRODUCT CUSTOMER DRAWING				
ANGULAR TOL ± 2.0°		2020/04/15		MATERIAL NUMBER		CUSTOMER		SHEET NUMBER	
4 PLACES ±		2020/04/15		SEE TABLE		GENERAL MARKET		2 OF 3	
3 PLACES ±		INITIAL REVISION:		MATERIAL NUMBER		CUSTOMER		SHEET NUMBER	
2 PLACES ±		DRWN: JTSAO		SEE TABLE		GENERAL MARKET		2 OF 3	
1 PLACE ±		2005/04/04		MATERIAL NUMBER		CUSTOMER		SHEET NUMBER	
0 PLACES ±		2005/04/06		SEE TABLE		GENERAL MARKET		2 OF 3	
DRAFT WHERE APPLICABLE MUST REMAIN WITHIN DIMENSIONS		THIRD ANGLE PROJECTION		DRAWING		SERIES		SHEET NUMBER	
				C-SIZE		73366		2 OF 3	



FUNCTIONAL SYMBOLS	THIS DRAWING CONTAINS INFORMATION THAT IS PROPRIETARY TO MOLEX ELECTRONIC TECHNOLOGIES, LLC AND SHOULD NOT BE USED WITHOUT WRITTEN PERMISSION										
	DIMENSION UNITS	SCALE	CURRENT REV DESC:							molex	
$\frac{F}{A} = 0$	INCH	NTS	EC NO: 634743 DRWN: CWEI02 2020/03/26 CHK'D: YCHENG 2020/04/15 APPR: YCHENG 2020/04/15 INITIAL REVISION: DRWN: JTSAO 2005/04/04 APPR: MHUANG 2005/04/06								
$\frac{F}{C} = 0$	GENERAL TOLERANCES (UNLESS SPECIFIED)									PRODUCT CUSTOMER DRAWING	
$\frac{F}{P} = 0$	ANGULAR TOL ± 2.0°									DOCUMENT NUMBER	
DIVISIONAL SYMBOLS	4 PLACES ±		SD-73366-003		DOC TYPE	DOC PART	REVISION				
	3 PLACES ±		SEE TABLE		PSD	001	D				
	2 PLACES ±		GENERAL MARKET								
	1 PLACE ±		3 OF 3								
	0 PLACES ±										
	DRAFT WHERE APPLICABLE MUST REMAIN WITHIN DIMENSIONS		THIRD ANGLE PROJECTION	DRAWING	SERIES	MATERIAL NUMBER	CUSTOMER	SHEET NUMBER			
				C-SIZE	73366	SEE TABLE	GENERAL MARKET	3 OF 3			