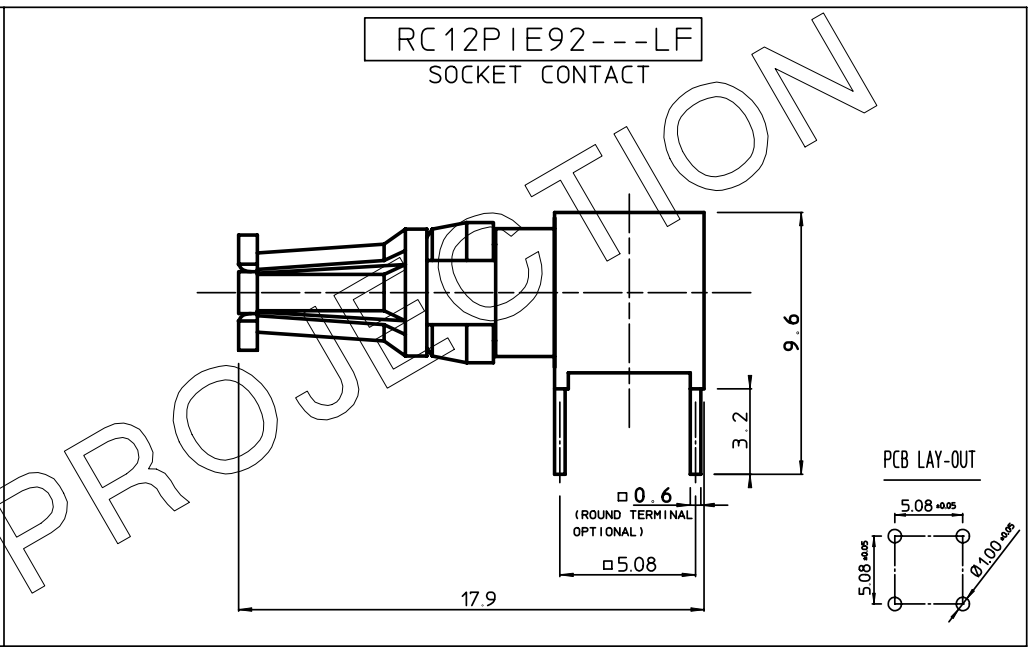
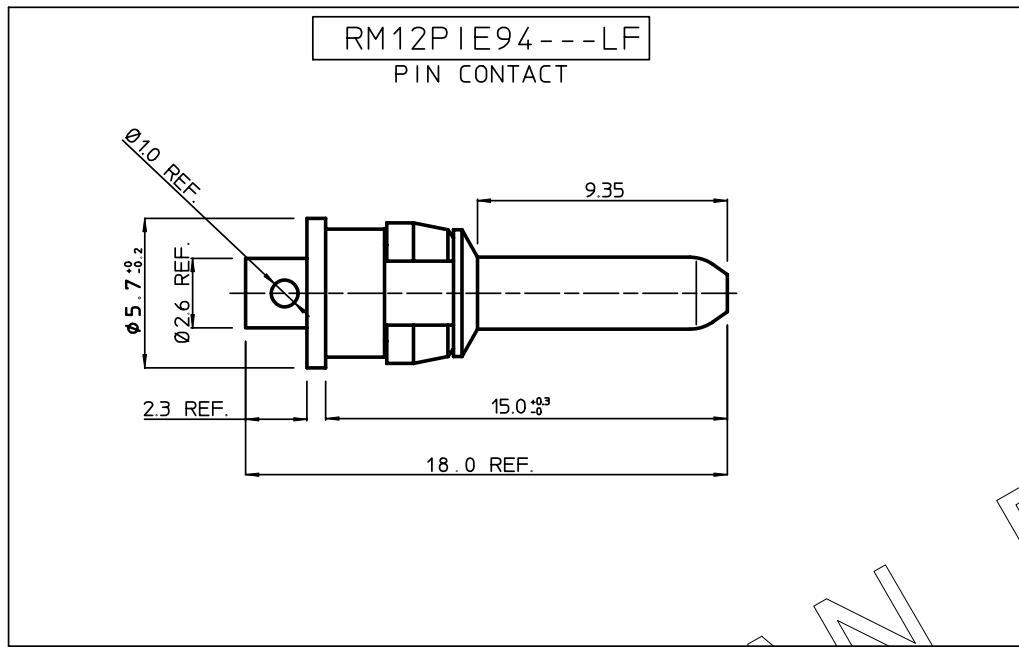


GEN. ST.	01	02	03	04	05	06	07	08	0D	50	60	70	80	90																	
INT. ST.	10	11	12	13	14	18	20	31	32	33	34	38	39	40	42	43	44	45	46	48	56	70	72	73	75	76	81	82	83	84	88

REV.	DATE	DESCRIPTION	BY	C'K'D'
B	2002-03-18	EC B20061	MF	
C	2006-07-04	106-0096	VIVEK	BKP
D	2008-02-11	108-0020	AB	AB
E	2008-08-27	108-0105	AB	AB



CATALOGUE NUMBER	MAX. CURRENT
RM12PIE94---LF	10 A
RC12PIE92---LF	10 A (4 SOLDERTAGS)

PERFORMANCE CHARACTERISTICS:

- INSERTION FORCE: 10 N MAX.
- WITHDRAWAL FORCE: 1.6 N MIN.
- CONTACT RESISTANCE: < 1mΩ UNDER 10 A

--- : PLATING CODE

NOTE: 1) FOR MISSING INFO SEE DRAWING BS,C ,201624,028

2) PLATED THROUGH HOLE INFO SEE DRAW.

BS,A,201572,011 (RM12PIE94---LF)

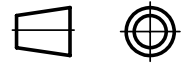
BS,A,201572,012 (RC12PIE92---LF)

3) THE PRODUCT (LF) MEETS EUROPEAN UNION DIRECTIVES AND OTHER COUNTRY REGULATIONS AS DESCRIBED IN GS-22-008.

1DEC ±0,2 2DEC ±0,1 ANGLES ±1°	APPR.	DATE	SIGN.	F.M./L.B. HDR / REC POWER CONTACTS (DIPSOLDER)
WE RESERVE THE RIGHT TO CHANGE DIMENSIONS OR REQUIREMENTS WITHOUT PRIOR NOTICE.	DRAFT	1993-07-07	W.P.	CAT. No. R-12PIE9---LF
ALL DIMENSIONS IN MM	CHECKED			FCI www.fciconnect.com
	PROD. MGR.			SCALE 5/1
	PR. ENG. MGR.			
	PR. MGT. MGR.			

THIS IS OUR EXCLUSIVE PROPERTY. IT IS NOT TO BE COPIED, REPRINTED OR DISCLOSED TO A THIRD PARTY, NOR USED FOR MANUFACTURING WITHOUT OUR WRITTEN CONSENT, AND HAS TO BE RETURNED TO US IN CASE OF NO USAGE

DIT IS ONZE EIGENDOM EN MAG NIET NAGEMAAKT, HERDRUKT, OVERGEMAAKT AAN DERDEN, NOCH VOOR FABRIKATIE GEBRUIKT WORDEN, ZONDER ONZE SCHRIFTELIJKE TOELATING. BIJ NIET GEBRUIK IS TERUGZENDING VERPLICHT.



REFERENCES

BS,C ,201624,008 E