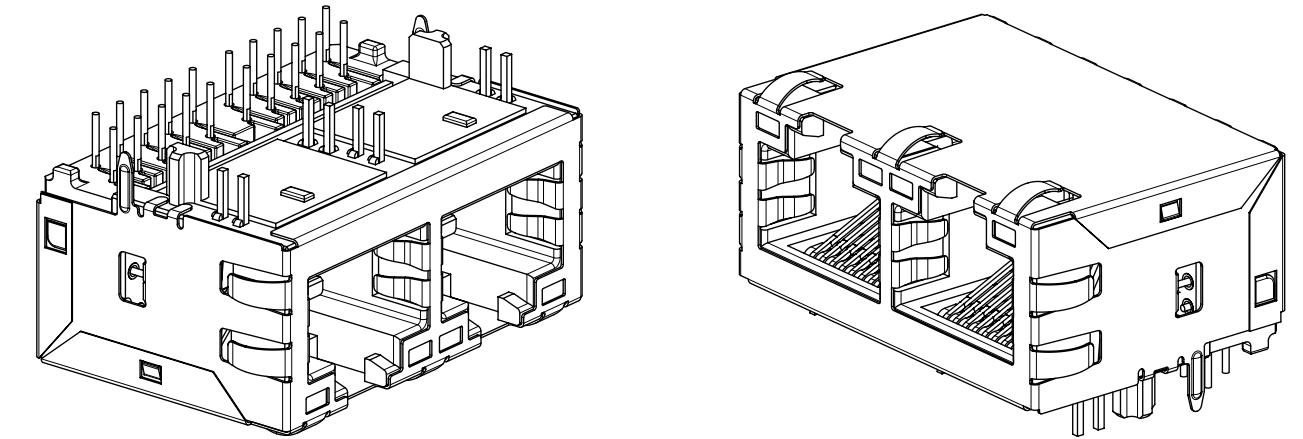
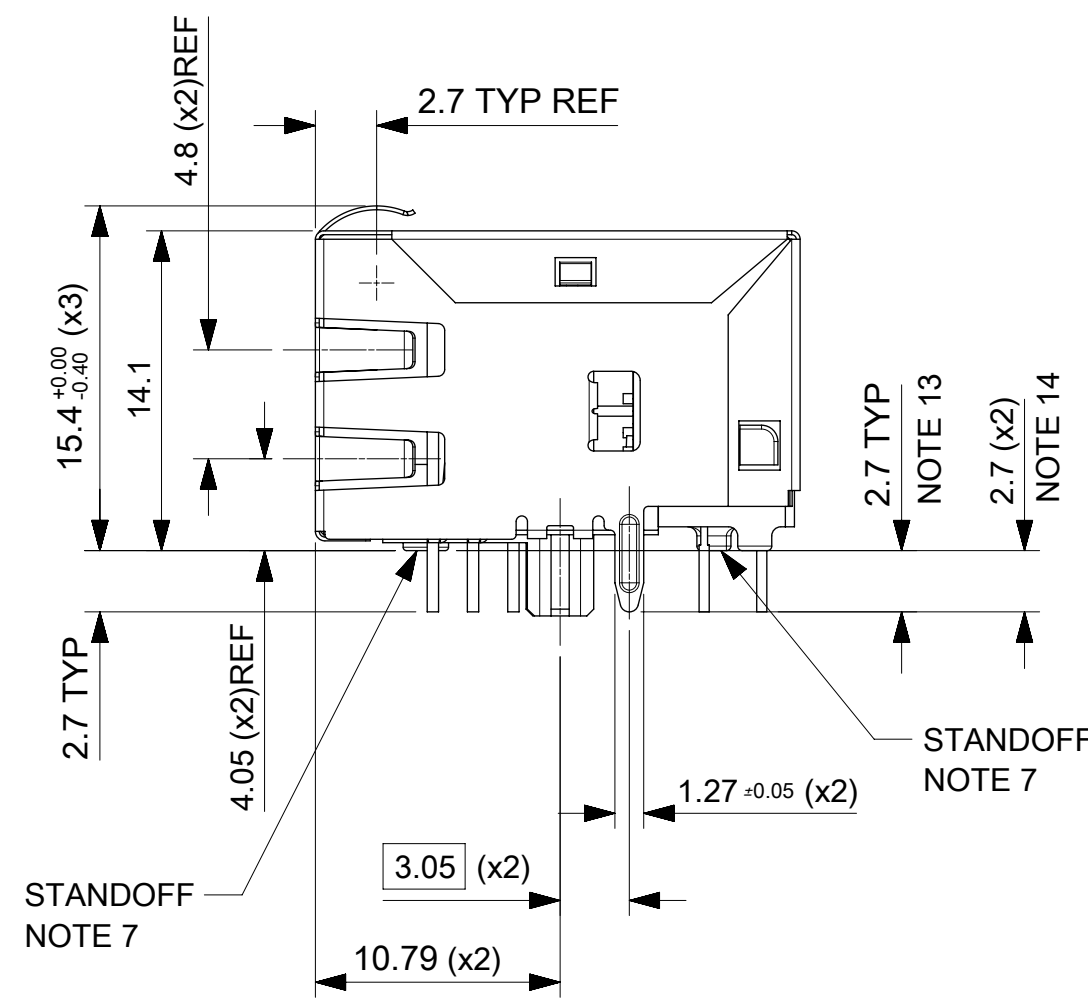
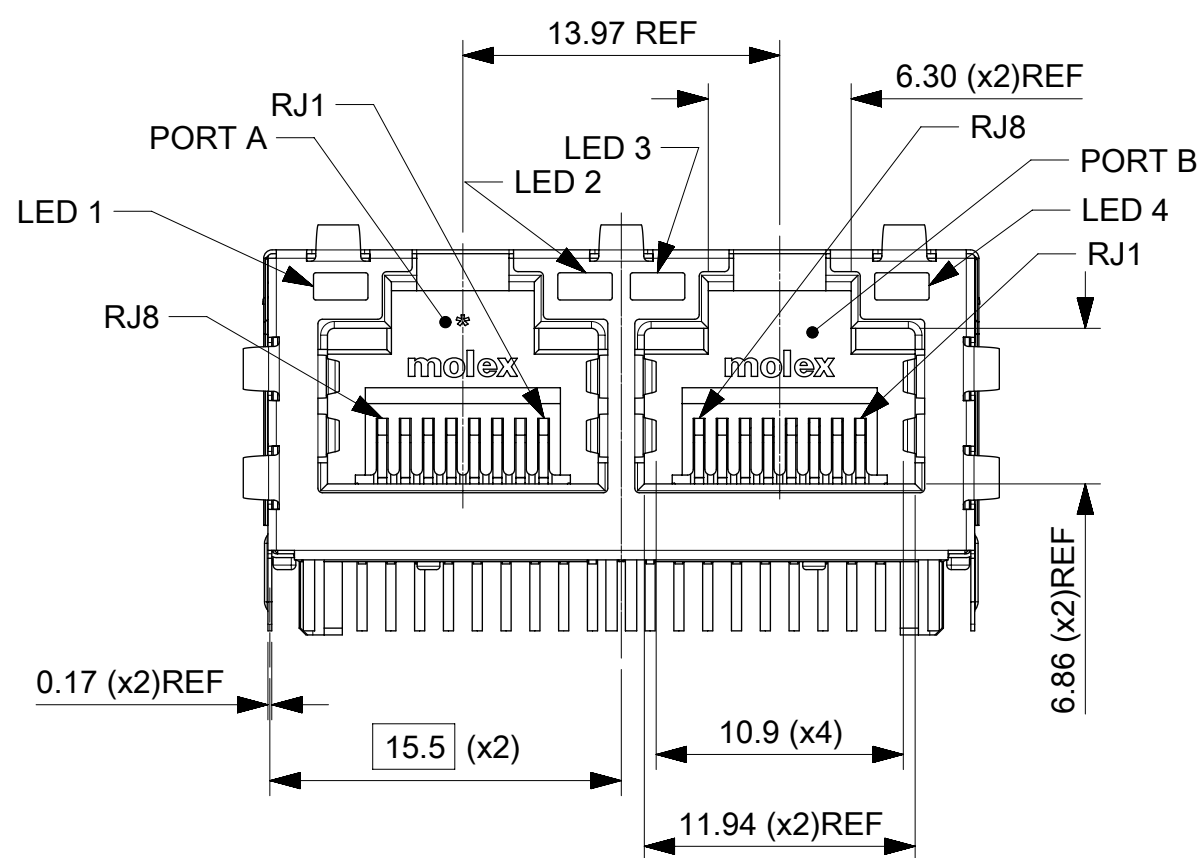


PART NO.	LED COLOR			
	LED 1	LED 2	LED 3	LED 4
938263006	GREEN	YELLOW	GREEN	YELLOW

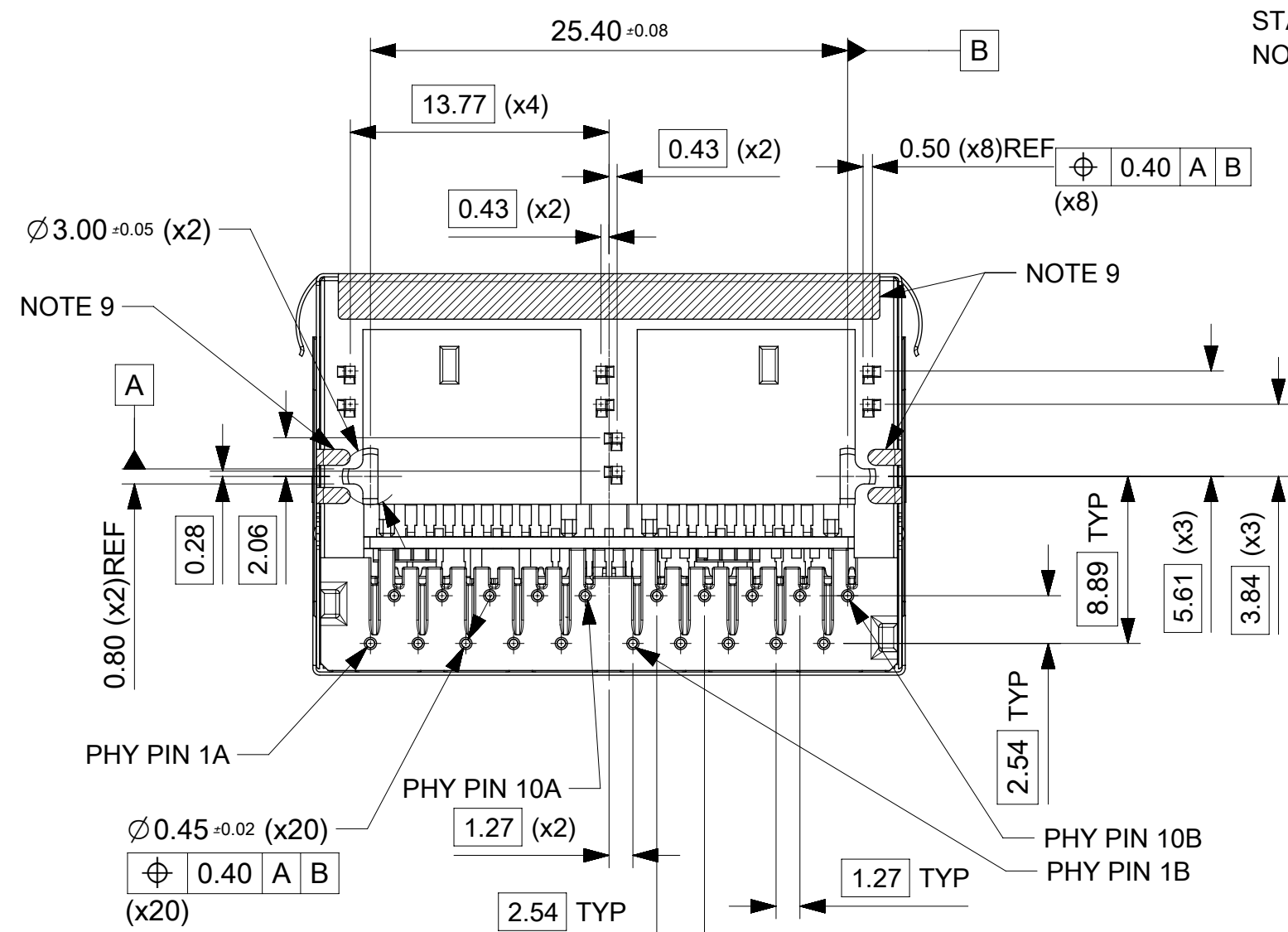


INVERTED PROFILE DUAL PORT MAGNETIC JACK
GIGABIT ETHERNET
WITH LED
WITH SHIELD TABS



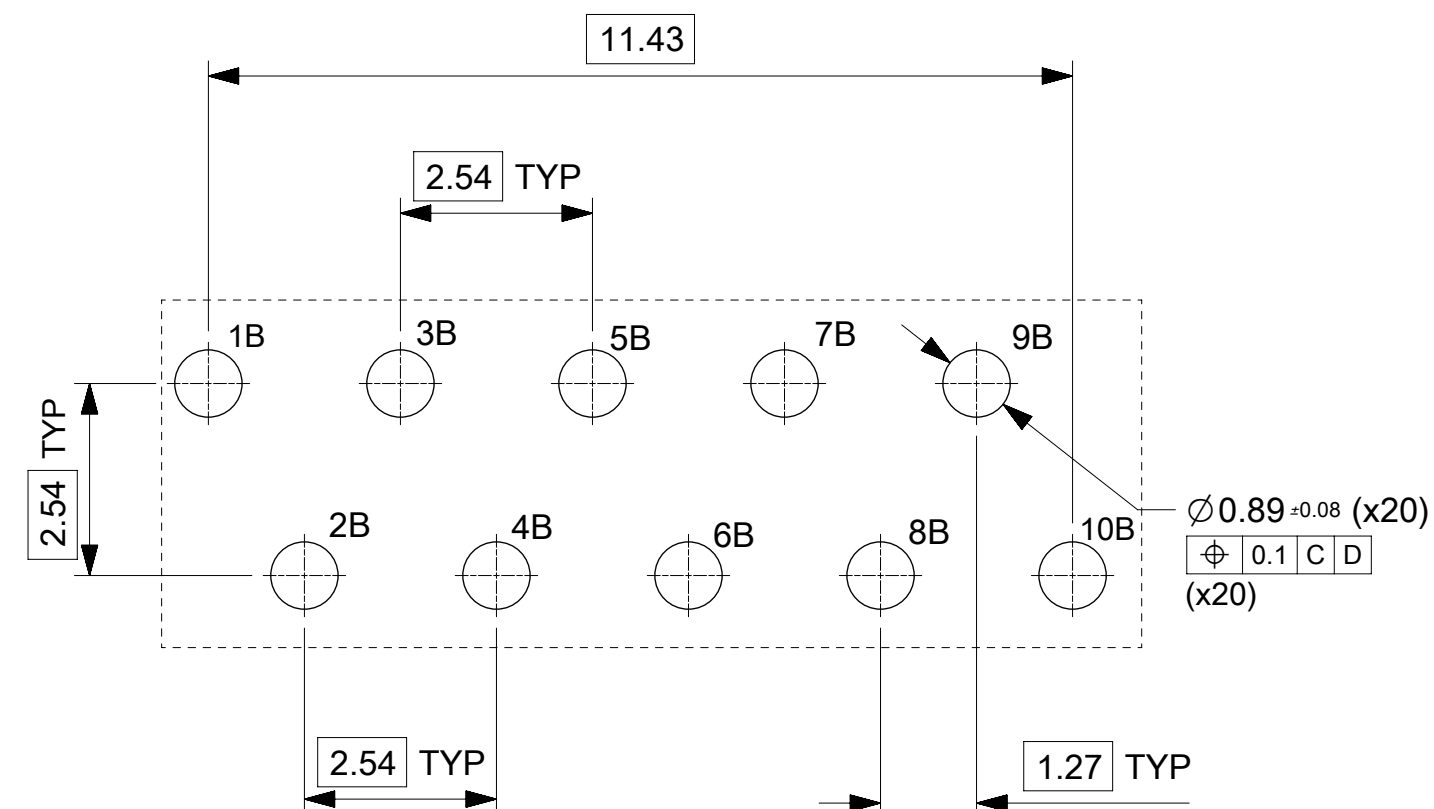
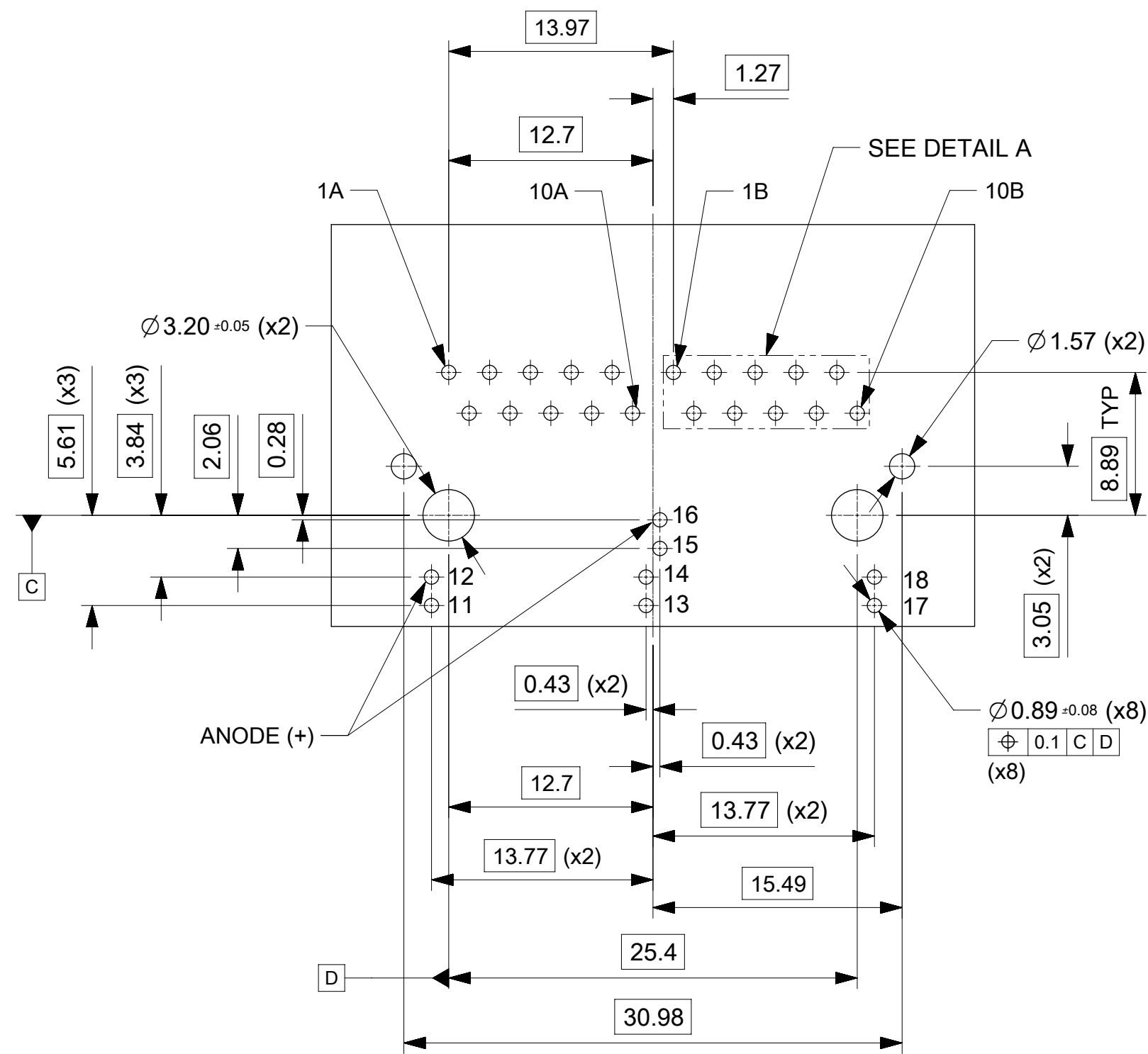
NOTES:

- SHIELD MATERIAL: 0.17 mm THICK BRASS PRE-PLATED WITH NICKEL
SOLDER TABS POST DIPPED WITH MIN. 1.27 μm TIN
- HOUSING MATERIAL: LCP, BLACK, UL 94V-0
- TERMINALS MATERIAL: PHOSPHOR BRONZE
RJ45 CONTACTS PLATING: BASE NICKEL PLATED WITH GOLD
FLASH OVER PALLADIUM NICKEL. REFER TO 934620001 PSP
PHY SOLDER TAILS: COPPER ALLOY
- MATING INTERFACE ACCORDING TO IEC 60603-7 & TIA-1096-A
- PRODUCT SPECIFICATION: 934620001 PSP
- PACKAGING SPECIFICATION: 938240001 PSK TRAY
- STAND OFF TO SYSTEM BOARD 0.30 mm MIN
- RECOMMENDED PCB THICKNESS: 1.6 mm
- SHIELD: AVOID ROUTING TRACES
OR PLACING ANY VIAS BELOW THESE AREAS.
- MATERIAL COMPLIANT TO RoHS DIRECTIVE 2002/95/EC
- INSCRIPTION MARKED BY LASER:
1st: MOLEX
2nd: PART NUMBER
- INSCRIPTION MARKED BY LASER:
DATE CODE (DAY/WEEK/YEAR)
- PHY PIN LENGTH
- SHIELD SOLDER TAB LENGTH

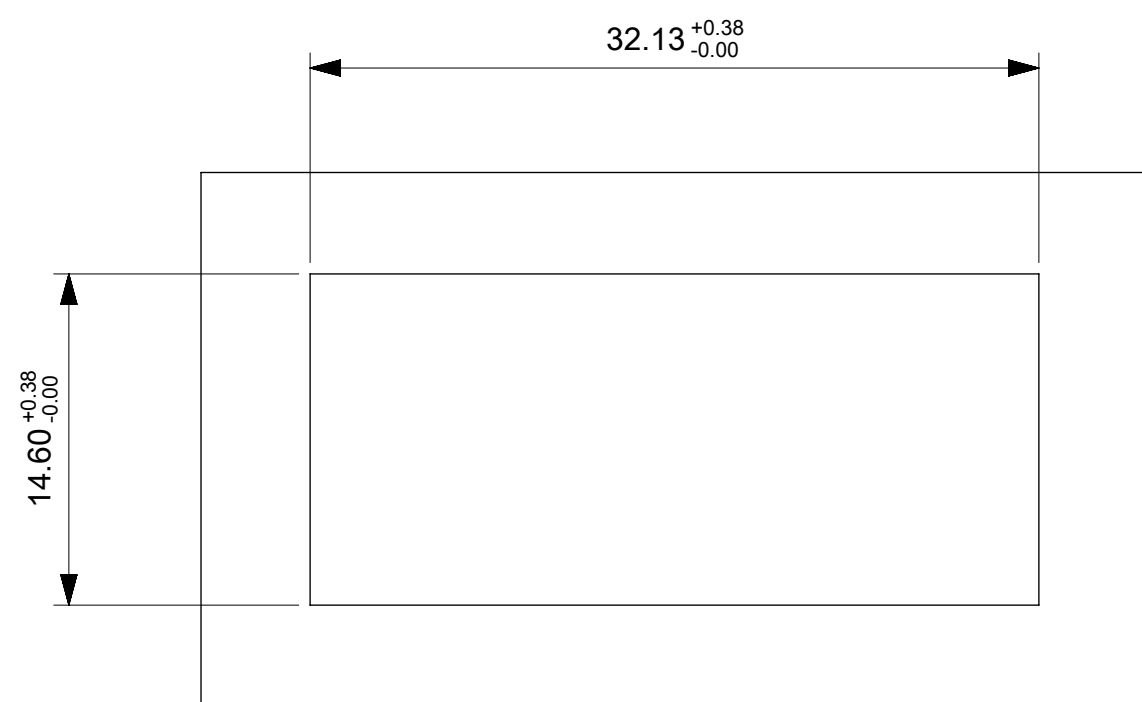


ORIGINAL RELEASE		GENERAL TOLERANCES (UNLESS SPECIFIED)		DIMENSION UNITS		SCALE		molex		
2017/10/17		±		mm		3:1				
2017/10/23		ANGULAR TOL ± 2.0 °		DRWN BY		DATE		PRODUCT CUSTOMER DRAWING		
2017/11/07		4 PLACES ±		DSHEA		2017/05/31				
EC NO: 123046		3 PLACES ±		CHK'D BY		DATE		93826 SEE CHART GENERAL MARKET		
DRWN: DSHEA		2 PLACES ± 0.1		SMCGREEVY		2017/10/23				
CHKD: SMCGRVY		1 PLACE ± 0.2		APPR BY		DATE		938260003 PSD 000 1 OF 3		
REV: APPR: DBYRNES		0 PLACES ±		DBYRNES		2017/11/07				
A		DRAFT WHERE APPLICABLE MUST REMAIN WITHIN DIMENSIONS		DRAWING SIZE		THIRD ANGLE PROJECTION		A2		

RECOMMENDED PCB LAYOUT
GIG VERSION W/ LED
COMPONENT SIDE
ALL DIMENSIONS REF DIMENSIONS



DETAIL A
SCALE 10:1



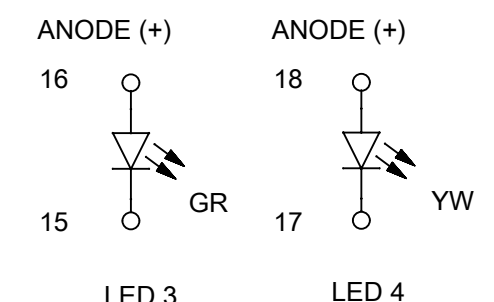
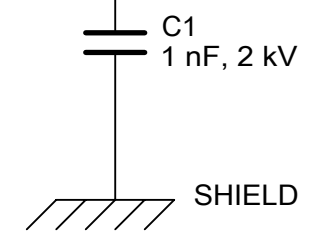
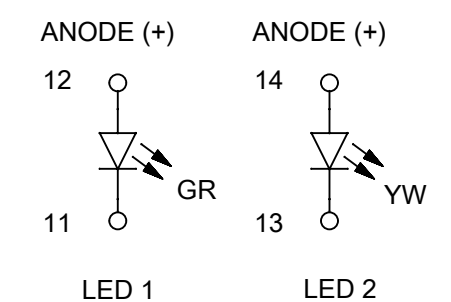
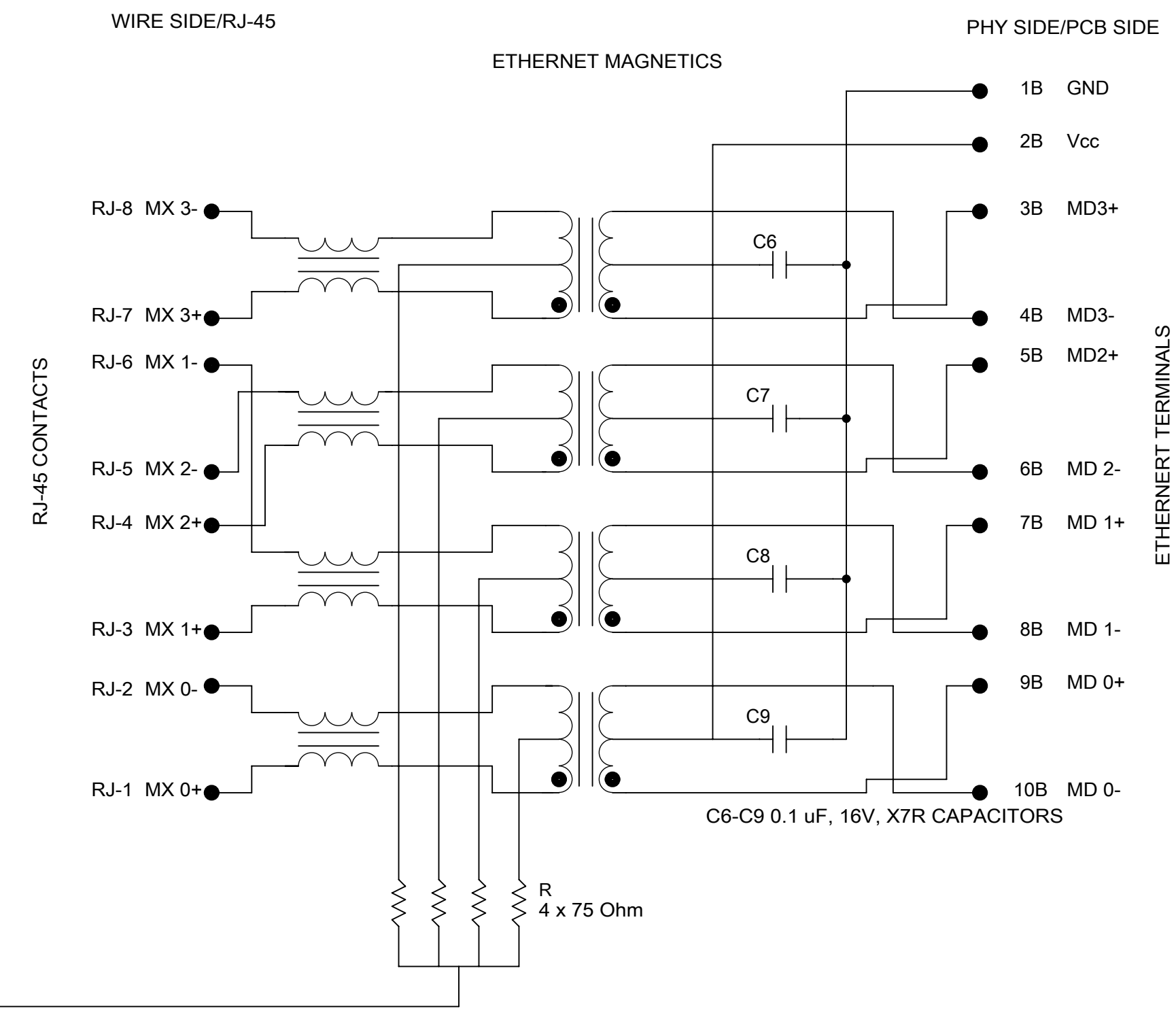
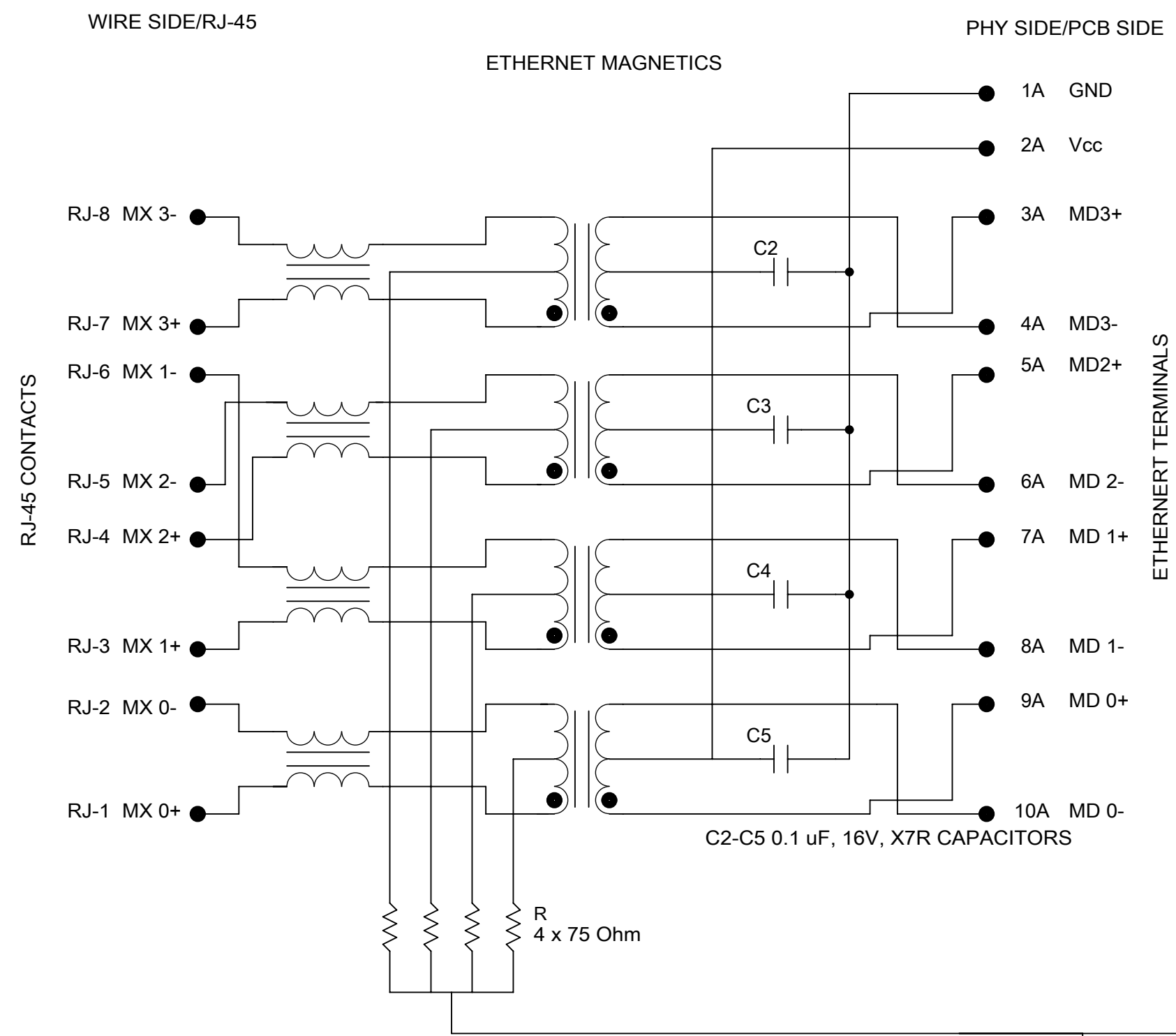
SUGGESTED PANEL CUTOUT

THIS DRAWING CONTAINS INFORMATION THAT IS PROPRIETARY TO MOLEX ELECTRONIC TECHNOLOGIES, LLC AND SHOULD NOT BE USED WITHOUT WRITTEN PERMISSION

ORIGINAL RELEASE EC NO: 123046 DRWN: DSHEA CHKD: SMCGREEVY REV: APPR: DBYRNES	2017/10/17	2017/10/23	2017/11/07	GENERAL TOLERANCES (UNLESS SPECIFIED) ANGULAR TOL ± 2.0 ° 4 PLACES ± 3 PLACES ± 2 PLACES ± 0.1 1 PLACE ± 0.2 0 PLACES ± DRAFT WHERE APPLICABLE MUST REMAIN WITHIN DIMENSIONS	DIMENSION UNITS mm	SCALE 3:1			
	DRWN BY DSHEA	DATE 2017/05/31	CHK'D BY SMCGREEVY		DATE 2017/10/23	DRWN BY DATE		DATE	
	APPR BY DBYRNES	DATE 2017/11/07	PRODUCT CUSTOMER DRAWING		SERIES 93826	MATERIAL NUMBER SEE SHEET 1		CUSTOMER GENERAL MARKET	
	DRAWING SIZE A2	THIRD ANGLE PROJECTION	DOCUMENT NUMBER 938260003		DOC TYPE PSD	DOC PART 000		SHEET NUMBER 2 OF 3	
	MXMAG DUAL PORT 8C GIG COMMERCIAL W/ LEDS								

PORT A

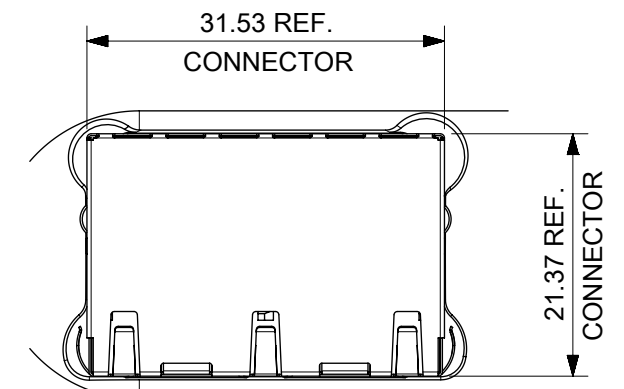
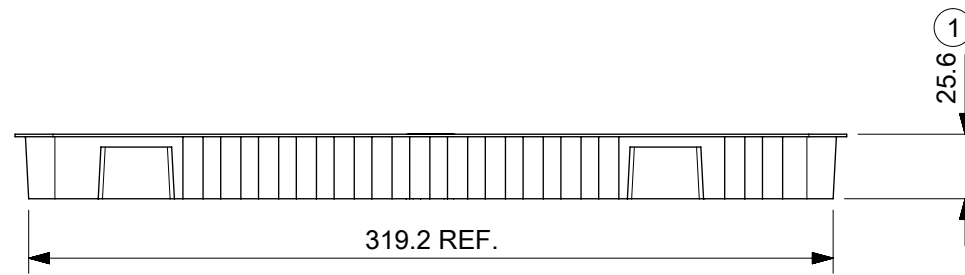
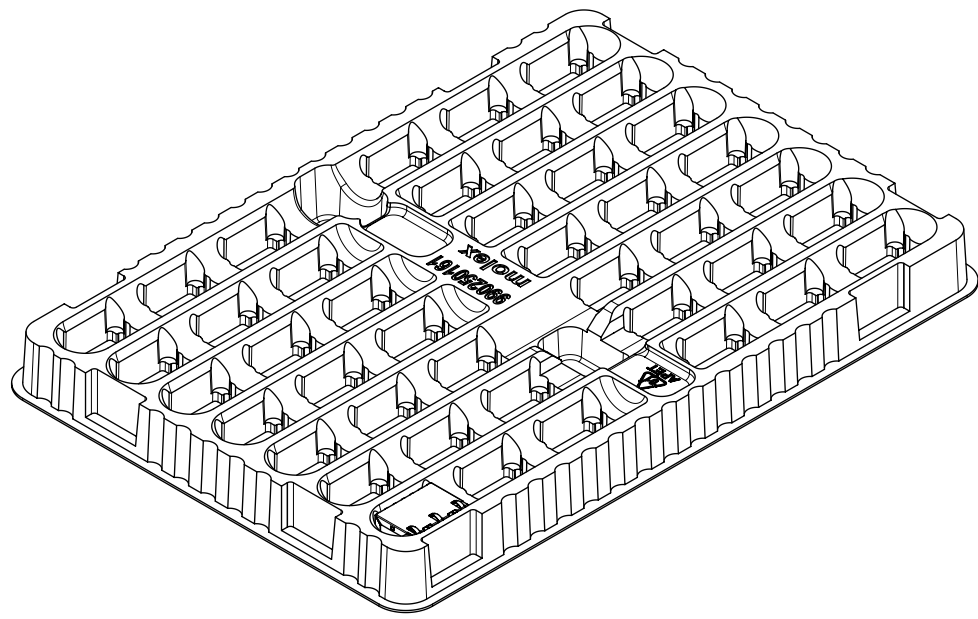
PORT B



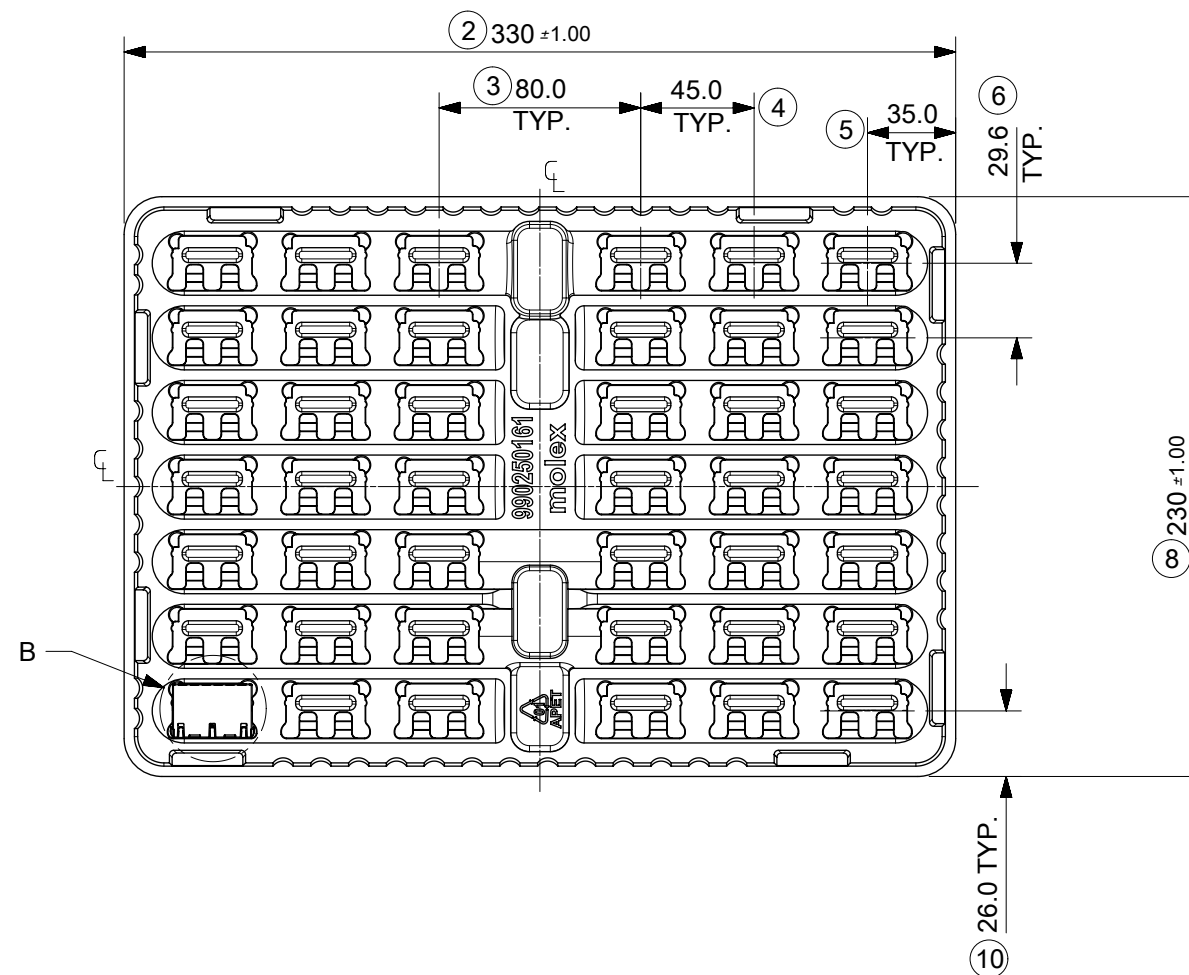
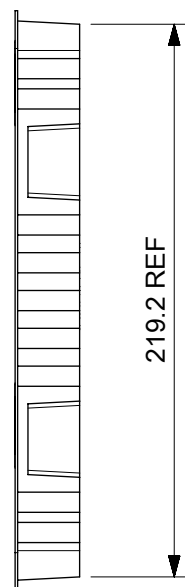
Description	Value	
OCL @100 kHz, 0.1 V, 8 mA DC bias (0°C to +70°C)	350 uH min.	
Turns ratio	1CT:1CT	
Transmission characteristics @ 25°C, all four pairs		
Insertion Loss		
Frequency f, (MHz)	Limits (dB max.)	Typical Values (dB max.)
1.0-9.9	0.4+0.1*log(f)	0.5 @ 10 MHz
10-49.9	0.5+0.3*log(f/10)	0.7 @ 50 MHz
50-79.9	1+1.4*log(f/80)	1.0 @ 80 MHz
80-100	1.3+3*log(f/100)	1.3 @ 100 MHz
Return Loss		
Frequency f, (MHz)	Limits (dB min.)	Typical Values (dB min.)
1.0-39.9	18	18 @ 40 MHz
40-100	12-20*log(f/80)	10 @ 100 MHz
CMR		
Frequency f, (MHz)	Limits (dB min.)	Typical Values (dB min.)
1.0-100	30	30 @ 100 MHz
NEXT		
Frequency f, (MHz)	Limits (dB min.)	Typical Values (dB min.)
1.0-39.9	35	35 @ 40 MHz
40-100	33-20*log(f/50)	27 @ 100 MHz
Isolation PHY to wire side	2.25 kV DC/60sec	

THIS DRAWING CONTAINS INFORMATION THAT IS PROPRIETARY TO MOLEX ELECTRONIC TECHNOLOGIES, LLC AND SHOULD NOT BE USED WITHOUT WRITTEN PERMISSION

ORIGINAL RELEASE EC NO: 123046 DRWN: DSHEA CHKD: SMCGREEVY REV: APPR: DBYRNES	2017/10/17	2017/10/23	2017/11/07	GENERAL TOLERANCES (UNLESS SPECIFIED)	DIMENSION UNITS	SCALE	
	4 PLACES	±	3 PLACES	±	mm	1:1	
	3 PLACES	±	2 PLACES	± 0.1	ANGULAR TOL ± 2.0 °		
	2 PLACES	±	1 PLACE	± 0.2	DRWN BY	DATE	
			0 PLACES	±	DSHEA	2017/05/31	MXMAG DUAL PORT 8C GIG COMMERCIAL W/ LEDS
					CHK'D BY	DATE	
					SMCGREEVY	2017/10/23	PRODUCT CUSTOMER DRAWING
					APPR BY	DATE	
					DBYRNES	2017/11/07	SERIES
							MATERIAL NUMBER
							93826
							SEE SHEET 1
							CUSTOMER
							GENERAL MARKET
							DOCUMENT NUMBER
							938260003
							DOC TYPE
							PSD
							DOC PART
							000
							SHEET NUMBER
							3 OF 3



DETAIL B
SCALE 3:2



NOTES:

1. MATERIAL: PETA ANTISTATIC
2. THICKNESS: 0.9 mm REF
3. COLOUR: CLEAR
4. BOW 2 mm MAXIMUM PER 330 mm
5. TWIST 2 mm MAXIMUM PER 330 mm
6. TRAY PART NO. AND RECYCLE LOGO TO BE CLEARLY MARKED ON TRAY
RECYCLE LOGO SHOULD BE APPROPRIATE TO MATERIAL USED
7. WHERE RELEVANT, DIMENSIONS SHOULD BE SYMMETRICAL ABOUT THE CENTRELINE
8. GENERAL PROFILE TOLERANCE $\frac{\text{R}}{0.40}$ ON NON DIMENSIONED FEATURES
9. PACKAGING SPECIFICATION: 938240001 PSK

DIMENSION NUMBERS DELETED: 7, 9, 11, 12
LAST INSPECTION NUMBER USED: 10

THIS DRAWING CONTAINS INFORMATION THAT IS PROPRIETARY TO MOLEX ELECTRONIC TECHNOLOGIES, LLC AND SHOULD NOT BE USED WITHOUT WRITTEN PERMISSION

ORIGINAL RELEASE EC NO: 123046 DRWN: DSHEA CHK'D: SMCGREEVY APPR: DBYRNES	2017/10/17	2017/10/23	GENERAL TOLERANCES (UNLESS SPECIFIED) ANGULAR TOL ± 1.0 ° 4 PLACES ± 3 PLACES ± 2 PLACES ± 0.2 1 PLACE ± 0.5 0 PLACES ± DRAFT WHERE APPLICABLE MUST REMAIN WITHIN DIMENSIONS	DIMENSION UNITS	SCALE			
	2017/10/17	2017/11/07		mm	1:3			
	DRWN BY	DATE		SMCGREEVY	2017/06/15			
	CHK'D BY	DATE		SMCGREEVY	2017/10/23			
APPR BY	DATE	DBYRNES	2017/11/07	PRODUCT CUSTOMER DRAWING		SERIES: 99025 MATERIAL NUMBER: 990250150 CUSTOMER: GENERAL MARKET		
DRAWING SIZE	THIRD ANGLE PROJECTION	A3		DOCUMENT NUMBER: 990250161	DOC TYPE: PSD		DOC PART: 000	SHEET NUMBER: 1 OF 1

RELEASE STATUS	P1	RELEASE DATE	07.11.2017	10:13:22
----------------	----	--------------	------------	----------