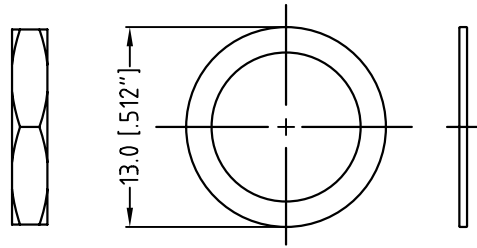
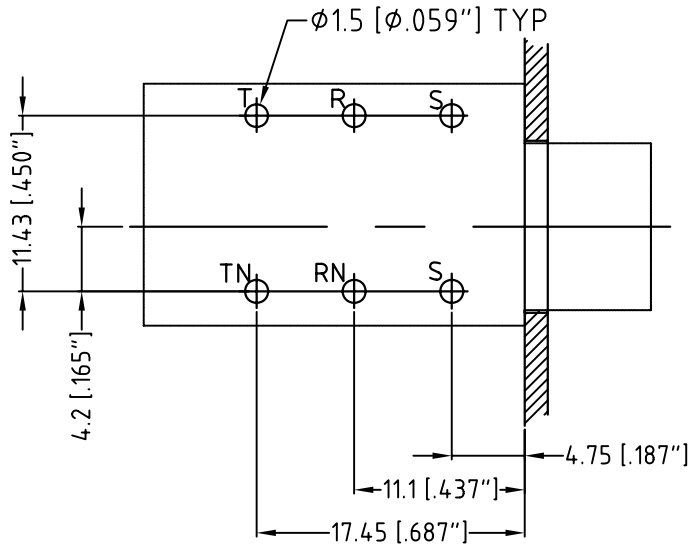
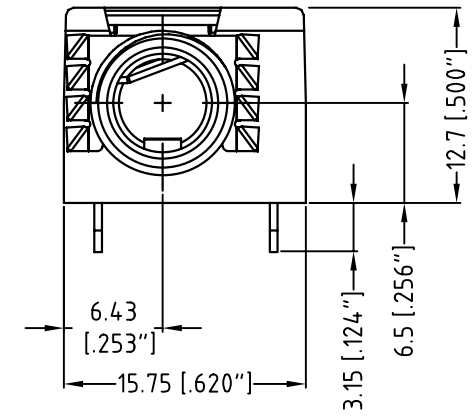
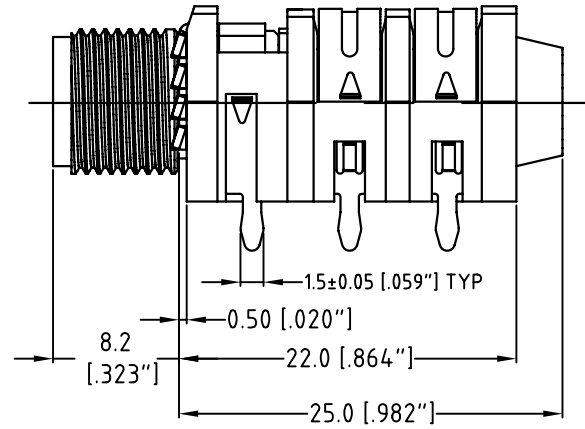


**METAL NUT**



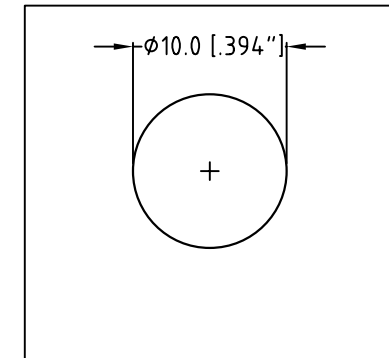
**METAL WASHER**



**RECOMMENDED PCB - LAYOUT**

TOLERANCE: ±0.05mm [0.002"]

PART NO.	ACJM-MHOM	ACJS-MHOM
SCHEMATIC		



**PANEL CUTOUT**

UNLESS OTHERWISE SPECIFIED TOLERANCE TO BE		THIS DOCUMENT IS THE PROPERTY OF AMPHENOL AUSTRALIA PTY. LTD.. NO PART THEREOF MAY BE REPRODUCED AND USED WITHOUT THE PRIOR WRITTEN CONSENT OF THE OWNER			
LINEAR	ANGULAR	CAD FILE:	DRN:	DATE:	TITLE:
X ± 0.5	X° ± 1°	55010411000111	M.N.H	06-02-07	1/4" PHONE OFFSET JACK CUSTOMER DRAWING
X.X ± 0.2	X°X' ± 30'	MATL: SEE NOTES	CKD: M.H.	DATE: 10-02-10	DRAWING NO. 55010411-000-1
X.XX ± 0.1	X°X'X" ± 15"	DO NOT SCALE	FINISH: SEE NOTES	DATE: 10-02-10	
DIMENSIONS IN MILLIMETRES		THIRD ANGLE PROJECTION		SCALE: 1:1	PART No: REFER TO SCHEMATIC

REV.	DESCRIPTION	BY	DATE	CHG/No
1	UPDATE DRAWING TO MEET PRODUCTION PART	MH	10-02-10	----
0	FIRST ISSUE	M.N.H	06-02-07	----

**Amphenol**  
 Amphenol Australia Pty.Ltd, 2 Freeways Blvd, Keysborough, Vic.3173  
 DRAWING NO. 55010411-000-1  
 SHEET 1 OF 1