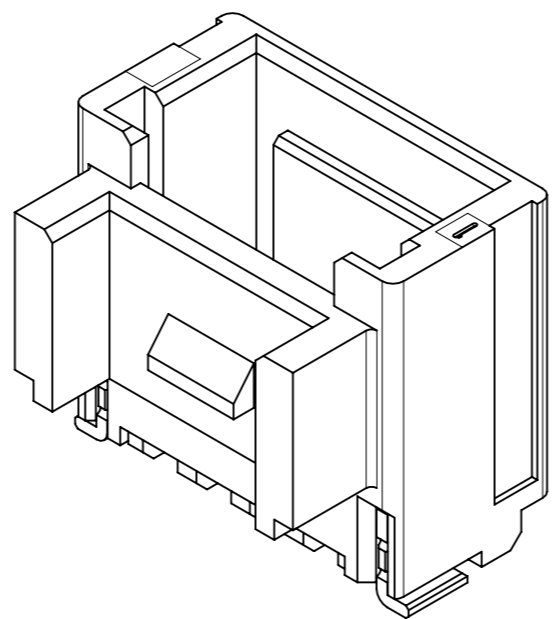


NOTES

- 1. 材料及び仕上げ(めっき仕様) : TABLE 1 参照
MATERIAL AND FINISHES : SEE TABLE 1
- 2. 製品仕様書 : 5019390000-PS 000
PRODUCT SPECIFICATION:
- 3. 梱包形態 : SEE SHEET 3
PACKAGING INFORMATION:
- 4. 嵌合相手 : 501939 シリーズ
MATES WITH:501939 SERIES
- 5. アプリケーション仕様書(コネクタ取扱い説明書) : 5013300000-AS A00(JAPANESE)/A01(ENGLISH)
APPLICATION SPECIFICATION(CONNECTOR MANUAL):
- 6. ソルダーピン及びネイルの平坦度:0.1 MAX
SOLDER PIN AND NAIL COPLANARITY: 0.1 MAX
- 7. 偶数極に適用
APPLY FOR EVEN CIRCUIT
- 8. その他金めっき厚品及び錫めっき品は以下の図面を御参照下さい。
PLEASE REFER TO THE FOLLOWING DRAWING FOR OTHER GOLD PLATING VERSION AND TIN PLATING VERSION.

PLATING	PLATING THICKNESS [micro-meter MIN]	SERIES No	DRAWING No
TIN	1.0	501940 **07	5019400000-SD PSD 000
GOLD	0.1	501940 **03	5019400001-SD PSD 000
	0.76	203561 **03	2035610000-SD PSD 000

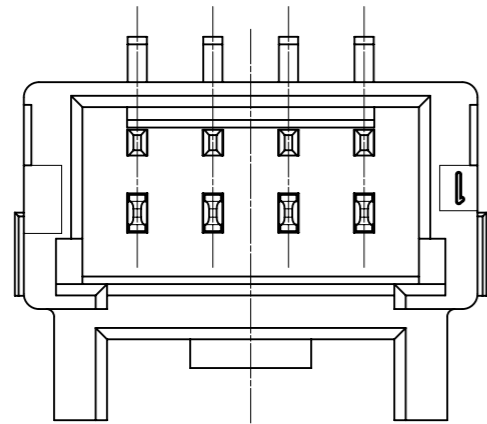
番号 NO	部品 PART	材質 MATERIAL	
①	ウエハー WAFER	ポリアミド(PA), UL94V-0, 色 : SEE SHEET 5 POLYAMIDE(PA), UL94V-0, COLOR : SEE SHEET 5	
②	ソルダーピン SOLDER PIN	リン青銅 PHOSPHOR BRONZE	
		接点部 CONTACT AREA	金めっき : 0.38 MICRO-METER MIN GOLD PLATING
		テール部 TAIL AREA	金めっき : 0.1 MICRO-METER MIN GOLD PLATING
③	ネイル NAIL	リン青銅 PHOSPHOR BRONZE	
		テール部 TAIL AREA	錫めっき : 1.0 MICRO-METER MIN MATTE TIN PLATING
		下地めっき UNDER PLATING	ニッケルめっき : 1.0 MICRO-METER MIN NICKEL
④	カバーテープ COVER TAPE	ポリイミドテープ POLYIMIDE TAPE	



5.2	6.5	4.0	7.0	5
	5.5	3.0	6.0	4
4.2	4.5	2.0	5.0	3
D	C	B	A	極数 CIRCUIT SIZE

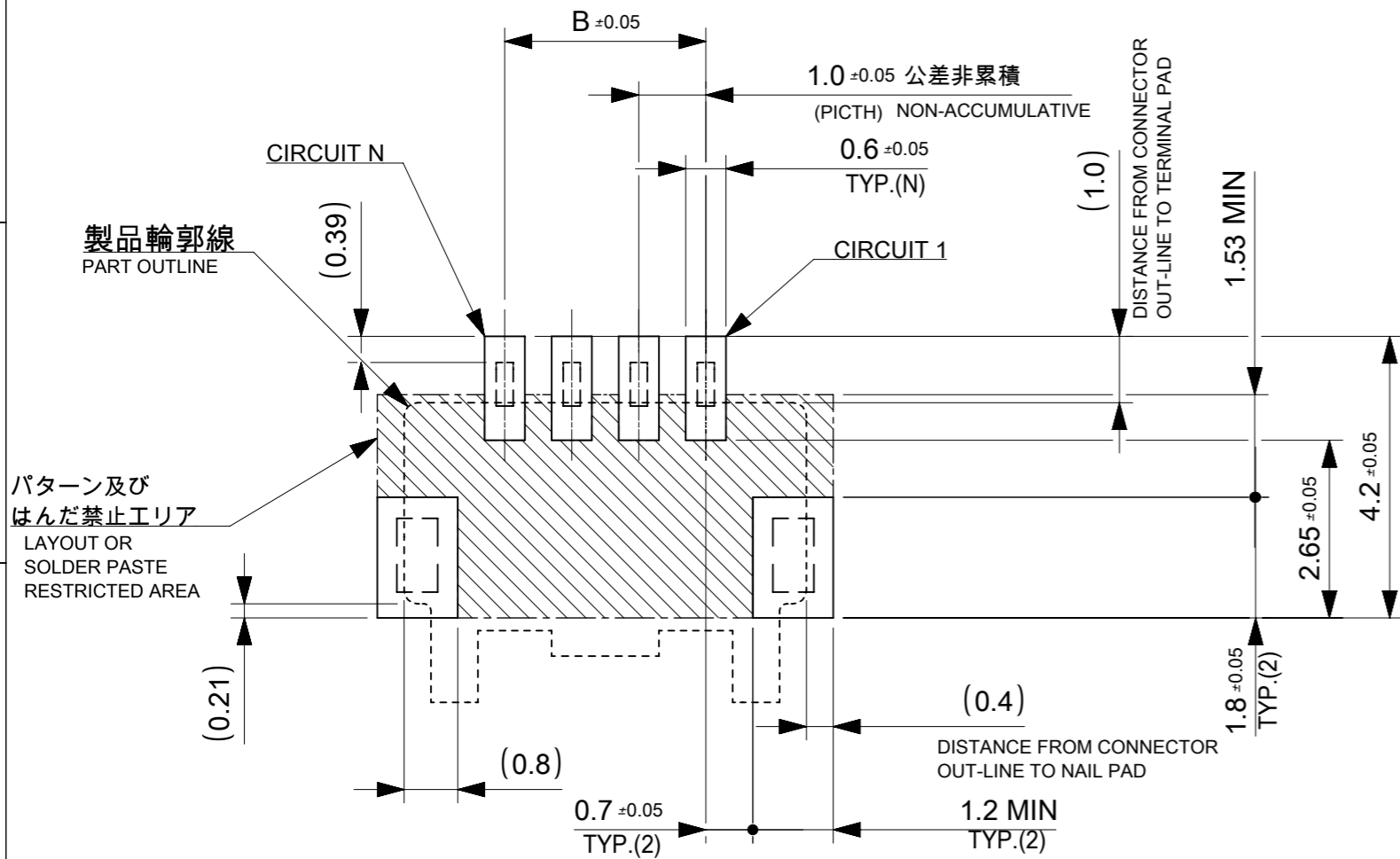
THIS DRAWING CONTAINS INFORMATION THAT IS PROPRIETARY TO MOLEX ELECTRONIC TECHNOLOGIES, LLC AND SHOULD NOT BE USED WITHOUT WRITTEN PERMISSION

DIMENSION UNITS	SCALE	CURRENT REV DESC:		
mm	NTS			
GENERAL TOLERANCES (UNLESS SPECIFIED)				
ANGULAR TOL	± 3.0 °	EC NO: 635683		
4 PLACES	± 0.2	DRWN: MIKEDA01	2020/04/10	
3 PLACES	± 0.2	CHK'D: SAKIYAMA	2020/05/13	
2 PLACES	± 0.2	APPR: KOMURAKAMI	2020/05/14	
1 PLACE	± 0.2	INITIAL REVISION:		
0 PLACES	± 0.2	DRWN: AISHIKAWA	2019/04/01	
DRAFT WHERE APPLICABLE MUST REMAIN WITHIN DIMENSIONS				
THIRD ANGLE PROJECTION		DRAWING	SERIES	MATERIAL NUMBER
		A3-SIZE	203560	SEE SHEET 5
CUSTOMER		SHEET NUMBER		
GENERAL		1 OF 5		




製品レイアウト
PRODUCT LAYOUT

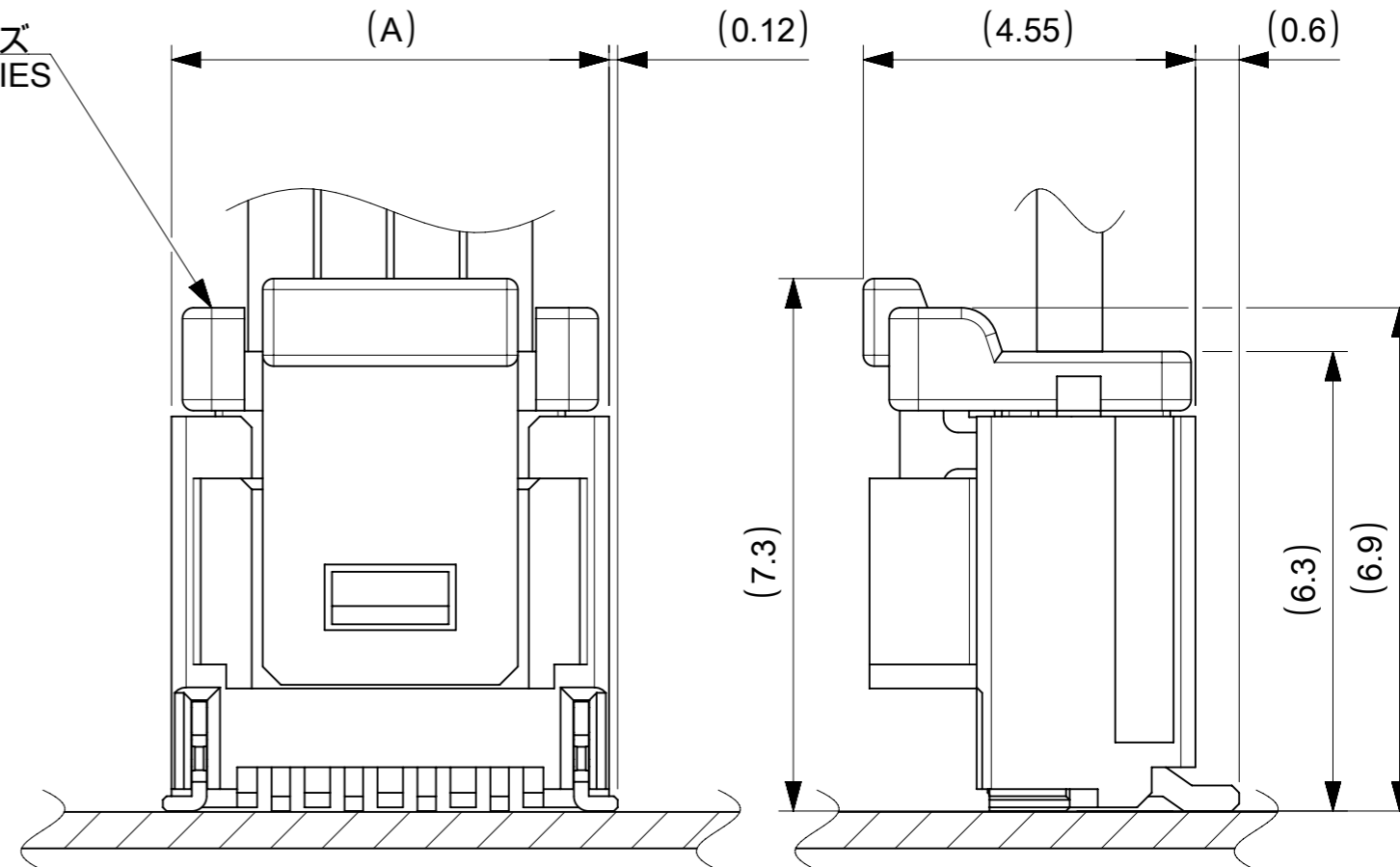
△ 4 嵌合相手 : 501939 シリーズ
MATE WITH : 501939 SERIES



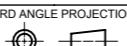
推奨基板レイアウト(全極数適用) : 実装面側
(参考 : 基板厚 1.0mm, メタルマスク厚さ 0.12mm, マスク開口率100%)

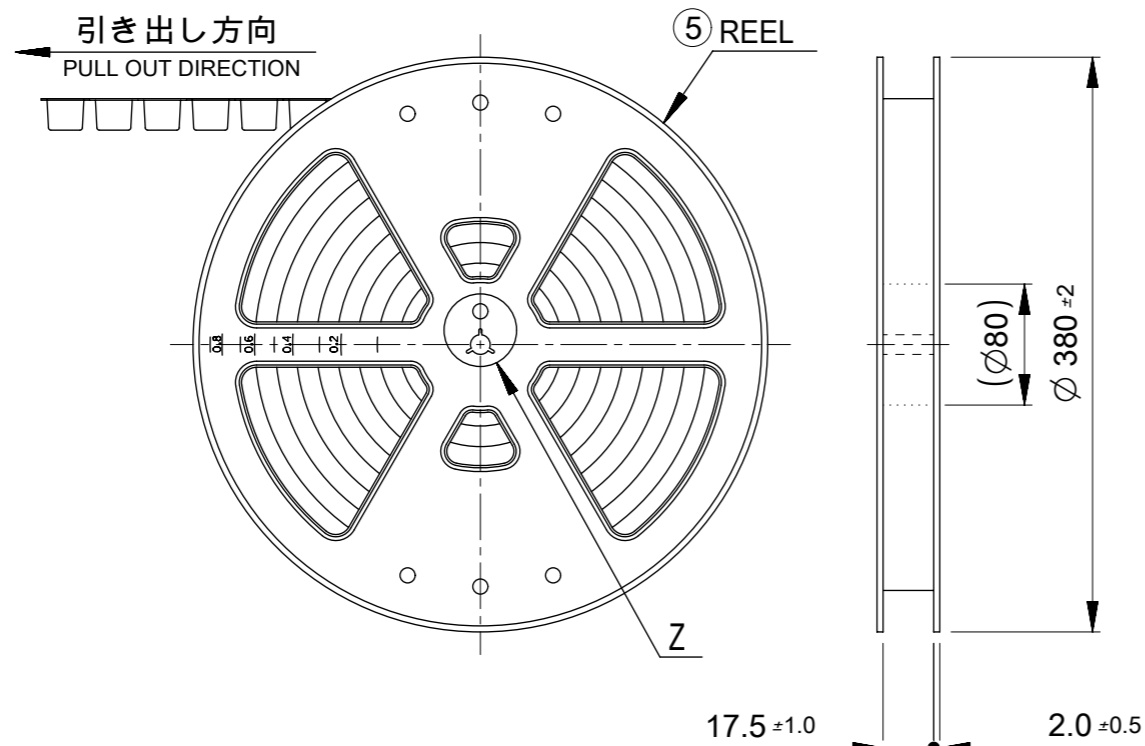
POLARIZED RECOMMENDED PCB LAYOUT(APPLY TO ALL CIRCUIT) : COMPONENT SIDE
(REFERENCE: PCB THICKNESS 1.0mm, STENCIL THICKNESS 0.12mm, APERTURE RATIO 100%)

 :パターン禁止エリア
RESTRICTED AREA
NO PCB COMPONENTS ALLOWED



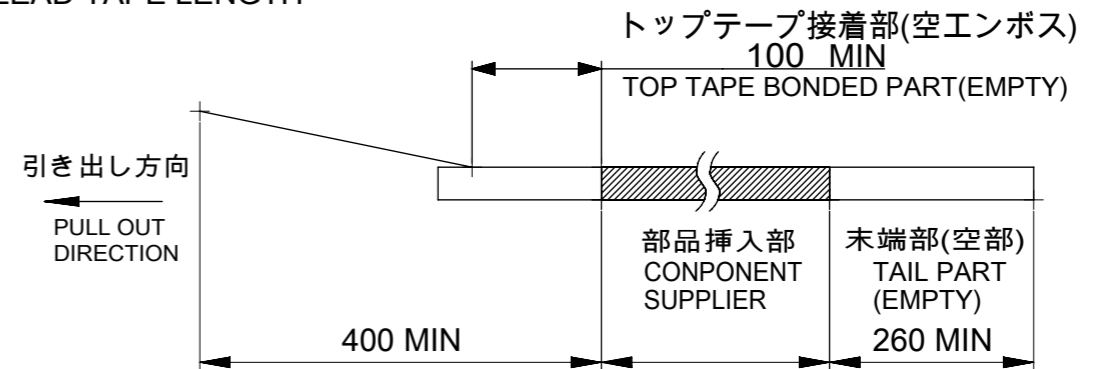
嵌合図
MATED CONNECTORS

THIS DRAWING CONTAINS INFORMATION THAT IS PROPRIETARY TO MOLEX ELECTRONIC TECHNOLOGIES, LLC AND SHOULD NOT BE USED WITHOUT WRITTEN PERMISSION		CURRENT REV DESC:		molex	
DIMENSION UNITS	SCALE				
mm	NTS			PICO-CLASP 1.0 W/B SINGLE ROW VT SMT OUTER LOCK GOLD PLATING 0.38 MICRO-METER	
GENERAL TOLERANCES (UNLESS SPECIFIED)				PRODUCT CUSTOMER DRAWING	
ANGULAR TOL	± 3.0 °	EC NO:	635683	DOCUMENT NUMBER	
4 PLACES	± 0.2	DRWN:	MIKEDA01 2020/04/10	2035600000-SD	DOC TYPE
3 PLACES	± 0.2	CHK'D:	SAKIYAMA 2020/05/13	PSD	DOC PART
2 PLACES	± 0.2	APPR:	KOMURAKAMI 2020/05/14	000	REVISION
1 PLACE	± 0.2	INITIAL REVISION:		B	
0 PLACES	± 0.2	DRWN:	AISHIKAWA 2019/04/01	SHEET NUMBER	
DRAFT WHERE APPLICABLE MUST REMAIN WITHIN DIMENSIONS		APPR:	KOMURAKAMI 2019/04/03	SEE SHEET 5	GENERAL
THIRD ANGLE PROJECTION		DRAWING	SERIES	MATERIAL NUMBER	CUSTOMER
		A3-SIZE	203560	SEE SHEET 5	GENERAL

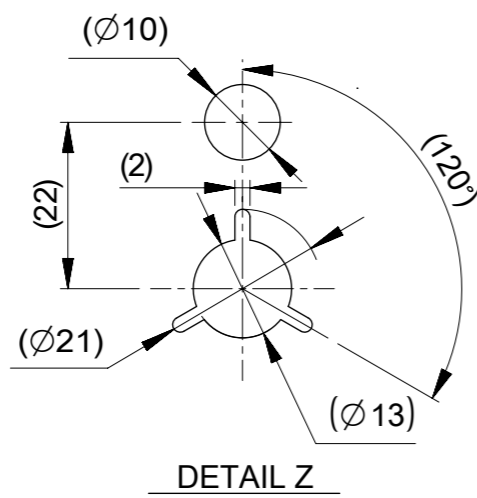


NOTES

- 9. 梱包数量:1100個/リール
NUMBER OF CONNECTORS : 1100 PIECES/REEL
- 10. リードテープ長さ
LEAD TAPE LENGTH



- 11. トップテープの剥離強度はIEC60286-3に準拠。
TOP TAPE PEELING FORCE IS DEFINED BY IEC60286-3.
- 12. 梱包仕様書 : 2035609200 PS 200
PACKAGE SPECIFICATION:
- 13. 発注番号 : SHEET 5 参照
ORDER No. : PLEASE REFER TO SHEET 5 FOR PRODUCT LIST.



203560 ** * *

極数 CIRCUIT SIZE	ハウジングカラー HOUSING COLOR	製品識別番号 IDENTIFICATION NUMBER
	0:NATURAL(BEIGE)	3:EMBOSSED PACKAGE

THIS DRAWING CONTAINS INFORMATION THAT IS PROPRIETARY TO MOLEX ELECTRONIC TECHNOLOGIES, LLC AND SHOULD NOT BE USED WITHOUT WRITTEN PERMISSION		CURRENT REV DESC:		molex	
DIMENSION UNITS mm	SCALE NTS	EC NO: 635683 DRWN: MIKEDA01 2020/04/10 CHK'D: SAKIYAMA 2020/05/13 APPR: KOMURAKAMI 2020/05/14			
GENERAL TOLERANCES (UNLESS SPECIFIED)		INITIAL REVISION:		DOCUMENT NUMBER	
ANGULAR TOL	± 3.0 °	DRWN: AISHIKAWA 2019/04/01 APPR: KOMURAKAMI 2019/04/03		2035600000-SD	
4 PLACES	± 0.2	DRAWING		DOC TYPE	DOC PART
3 PLACES	± 0.2	A3-SIZE		PSD	000
2 PLACES	± 0.2	SERIES		REVISION	B
1 PLACE	± 0.2	203560			
0 PLACES	± 0.2	MATERIAL NUMBER		CUSTOMER	
DRAFT WHERE APPLICABLE MUST REMAIN WITHIN DIMENSIONS		THIRD ANGLE PROJECTION		SEE SHEET 5	
		GENERAL		3 OF 5	

番号 NO.	部品 PART	材質 MATERIAL
⑤	リール REEL	ポリスチレン(PS) <リサイクル材を含む> POLYSTYRENE(PS) <RECYCLE MATERIAL CONTAINED>
DOCUMENT STATUS	P1	RELEASE DATE 2020/05/14 10:49:36

引き出し方向
PULL OUT DIRECTION

16mm幅テープ
TAPE WIDTH:16mm

⑦ TOP TAPE

CONNECTOR

⑥ CARRIER TAPE

SECTION Y-Y

(7.5) コネクター中心位置
CENTER OF CONNECTOR

SECTION X-X

(2.0) エンボスポケット中心位置
CENTER OF EMBOSSED POCKET

累積ピッチ : 40 ±0.2
ACUUMLATIVE PITCH:

CIRCUIT 1 $\phi 1.5^{+0.1}_{0.0}$

1.75 ±0.1

(D)

16.0 ±0.3

12.0 ±0.1

(5.65)

(2.55)

0.5 ±0.05

(5.65)

(5.8)

(6.8)

8.3	5
7.3	4
6.3	3
D	極数 CIRCUIT SIZE

THIS DRAWING CONTAINS INFORMATION THAT IS PROPRIETARY TO MOLEX ELECTRONIC TECHNOLOGIES, LLC AND SHOULD NOT BE USED WITHOUT WRITTEN PERMISSION

DIMENSION UNITS	SCALE	CURRENT REV DESC:	
mm	NTS		
GENERAL TOLERANCES (UNLESS SPECIFIED)		molex	
ANGULAR TOL	± 3.0 °	PICO-CLASP 1.0 W/B	
4 PLACES	± 0.2	SINGLE ROW VT SMT OUTER LOCK GOLD PLATING	
3 PLACES	± 0.2	0.38 MICRO-METER	
2 PLACES	± 0.2	PRODUCT CUSTOMER DRAWING	
1 PLACE	± 0.2	DOCUMENT NUMBER	
0 PLACES	± 0.2	2035600000-SD	
DRAFT WHERE APPLICABLE MUST REMAIN WITHIN DIMENSIONS		THIRD ANGLE PROJECTION	SHEET NUMBER
		A3-SIZE	4 OF 5

EC NO: 635683
DRWN: MIKEDA01 2020/04/10
CHK'D: SAKIYAMA 2020/05/13
APPR: KOMURAKAMI 2020/05/14

INITIAL REVISION:
DRWN: AISHIKAWA 2019/04/01
APPR: KOMURAKAMI 2019/04/03

MATERIAL NUMBER: SEE SHEET 5
CUSTOMER: GENERAL

番号 NO.	部品 PART	材質 MATERIAL
⑥	キャリアテープ CARRIER TAPE	ポリプロピレン(PP)、その他 POLYPROPYLENE(PP), etc
⑦	トップテープ TOP TAPE	ポリエチレン(PE)、その他 POLYETHYLENE(PE), etc

DOCUMENT STATUS | P1 | RELEASE DATE | 2020/05/14 | 10:49:36

9 8 7 6 5 4 3 2 1

E

E

D

D

C

C

B

B

A

A

13 製品一覧 PRODUCT LIST

HOUSING COLOR	
NATURAL(BEIGE)	
203560 0503	5
203560 0403	4
203560 0303	3
発注番号 ORDER No	極数
梱包形態 : エンボスリール PACKAGE:EMBOSSSED REEL	CIRCUIT SIZE

THIS DRAWING CONTAINS INFORMATION THAT IS PROPRIETARY TO MOLEX ELECTRONIC TECHNOLOGIES, LLC AND SHOULD NOT BE USED WITHOUT WRITTEN PERMISSION										
DIMENSION UNITS	SCALE	CURRENT REV DESC:					molex			
mm	NTS									
GENERAL TOLERANCES (UNLESS SPECIFIED)		EC NO: 635683					PICO-CLASP 1.0 W/B			
ANGULAR TOL	± 3.0 °	DRWN: MIKEDA01 2020/04/10					SINGLE ROW VT SMT OUTER LOCK GOLD PLATING			
4 PLACES	± 0.2	CHK'D: SAKIYAMA 2020/05/13					0.38 MICRO-METER			
3 PLACES	± 0.2	APPR: KOMURAKAMI 2020/05/14					PRODUCT CUSTOMER DRAWING			
2 PLACES	± 0.2	INITIAL REVISION:					DOCUMENT NUMBER			
1 PLACE	± 0.2	DRWN: AISHIKAWA 2019/04/01					2035600000-SD			
0 PLACES	± 0.2	APPR: KOMURAKAMI 2019/04/03					PSD 000 B			
DRAFT WHERE APPLICABLE MUST REMAIN WITHIN DIMENSIONS		THIRD ANGLE PROJECTION	DRAWING	SERIES	MATERIAL NUMBER	CUSTOMER		SHEET NUMBER		
			A3-SIZE	203560	SEE SHEET 5	GENERAL		5 OF 5		

DOCUMENT STATUS	P1	RELEASE DATE	2020/05/14	10:49:36
-----------------	----	--------------	------------	----------

9 8 7 6 5 4 3 2 1

FORMAT: master-ib-prod-A3
REVISION: 11
DATE: 2018/01/18