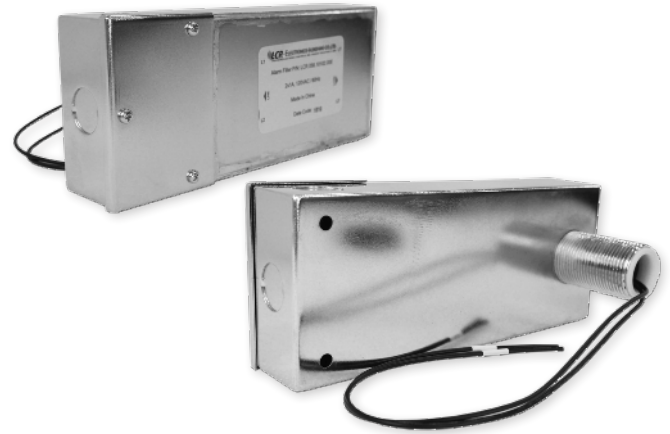


058/058E

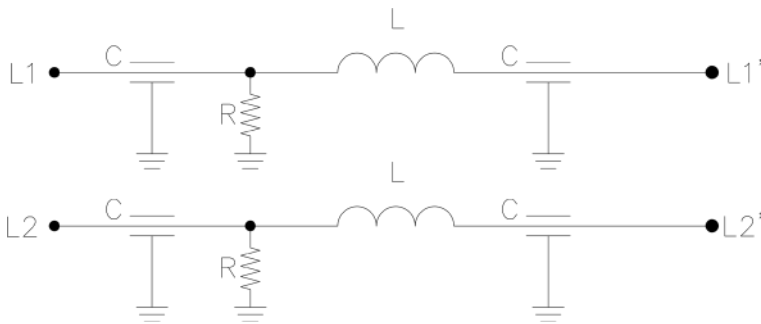
TELEPHONE LINE, DATA LINE, ALARM LINE AND CONTROL LINE FILTERS

FEATURES

- » **Rated currents** include **0.5 - 5 A @ 50°C**
- » Available with **screw** option
- » High performance
- » Plated Steel Case
- » IP Class IP65
- » Designed for communication telephone line and control line



ELECTRICAL SCHEMATIC



SPECIFICATIONS

| | |
|------------------------|-------------------------|
| OPERATING FREQUENCY | SEE SPECIFICATION TABLE |
| MAX. OPERATING VOLTAGE | 600 VDC/300 VAC |
| OPERATING TEMPERATURE | FROM -40 TO 85°C |
| CLIMATIC CATEGORY | 25/85/21 |
| TERMINALS (-T) | SCREWS(M4*0.7X10) |

TYP. WEIGHT, LBS (KG) 3.94 (1.78)

HIPOT RATINGS

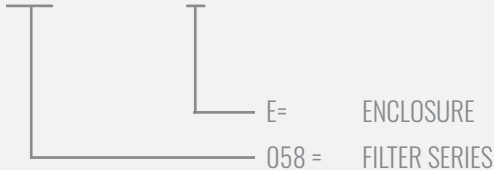
LINE TO GROUND 1000 VDC MAX, 2 SEC

TYPICAL APPLICATIONS

- ✓ MRI rooms
- ✓ Shielded rooms
- ✓ Communication Cabins
- ✓ Information security applications

HOW TO ORDER

058.10101.00-E



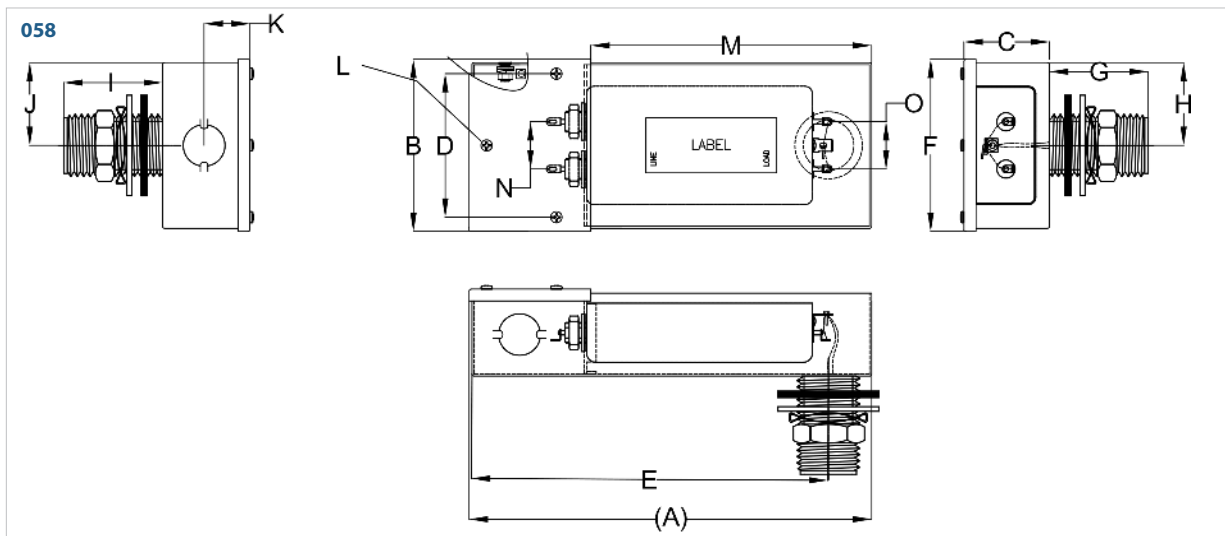
058/058E

TELEPHONE LINE, DATA LINE, ALARM LINE AND CONTROL LINE FILTERS

| MODEL NO. | APPLICATION | RATED VOLTAGE (VAC) | SYSTEM IMPEDANCE | | INSERTION LOSS | | MAX. DIMENSIONS" (MM) | | |
|----------------|---------------------|---------------------|--------------------|----------------------|----------------------|------------------------|-----------------------|------------|-----------|
| | | | BALANCED L-L (OHM) | UNBALANCED L-G (OHM) | PASS BAND (3DB MAX.) | STOP BAND (100DB MIN.) | WIDTH | (LENGTH) | HEIGHT |
| 058.00001.00-E | Telephone Filter | 2X0.5 | 600 | 300 | 0-6 KHz | 20 KHz-10 GHz | 3.64"(92) | 8.46"(215) | 1.80"(46) |
| 058.10001.00-E | Data Filter | 2X0.5 | - | - | 0-23 KHz | 150 MHz-1 GHz | 3.64"(92) | 8.46"(215) | 1.80"(46) |
| 058.10101.00 | Control Line Filter | 2X1 | * | * | * | 14 KHz-10 GHz | 3.64"(92) | 8.46"(215) | 1.80"(46) |
| 058.10101.00-E | Control Line Filter | 2X1 | * | * | * | 14 KHz-10 GHz | 3.64"(92) | 8.46"(215) | 1.80"(46) |
| 058.10102.00 | Alarm Filter | 2X1 | * | * | * | 14 KHz-1 GHz | 3.64"(92) | 8.46"(215) | 1.80"(46) |
| 058.10102.00-E | Alarm Filter | 2X1 | * | * | * | 14 KHz-1 GHz | 3.64"(92) | 8.46"(215) | 1.80"(46) |

*Contact factory for additional information.

058/058E MECHANICAL OUTLINES" (MM)



| SERIES | (A) | B | C | D | E | F | G | H | I | J | K | L | M | N | O |
|-----------------|----------------|---------------|---------------|---------------|----------------|---------------|---------------|---------------|---------------|---------------|---------------|-----------------|----------------|---------------|---------------|
| 058/058E | 8.46" (215) | 3.64" (92) | 1.80" (46) | 3.03" (77) | 7.49" (190) | 3.64" (92) | 2.08" (53) | 1.75" (45) | 2.08" (53) | 1.75" (45) | 1.00" (25) | M4*0.7x10 screw | 5.91" (150) | 1.00" (25) | 1.00" (25) |

TYPICAL TOLERANCE: +/- 0.02" (0.50MM)