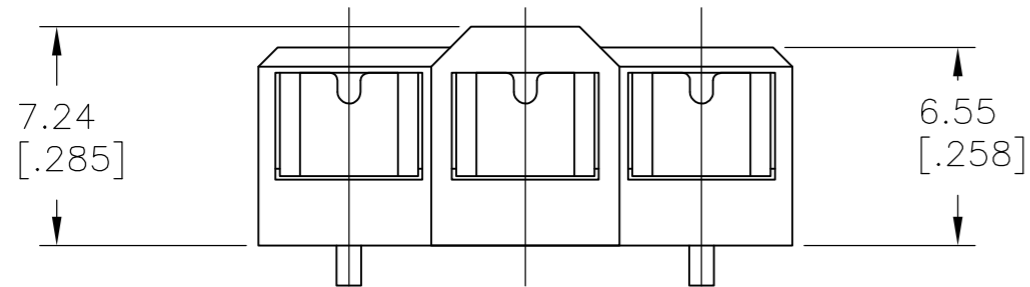
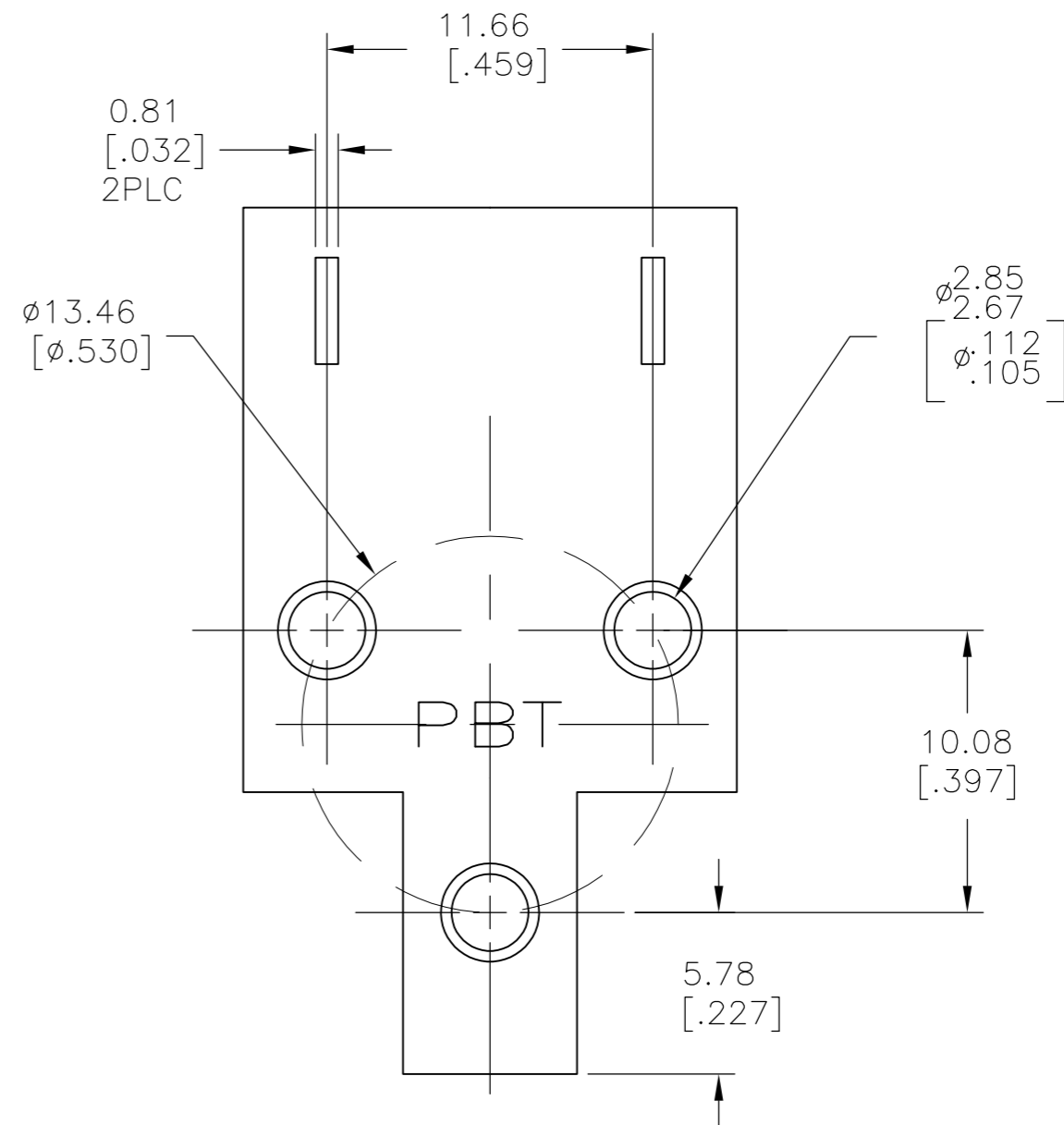
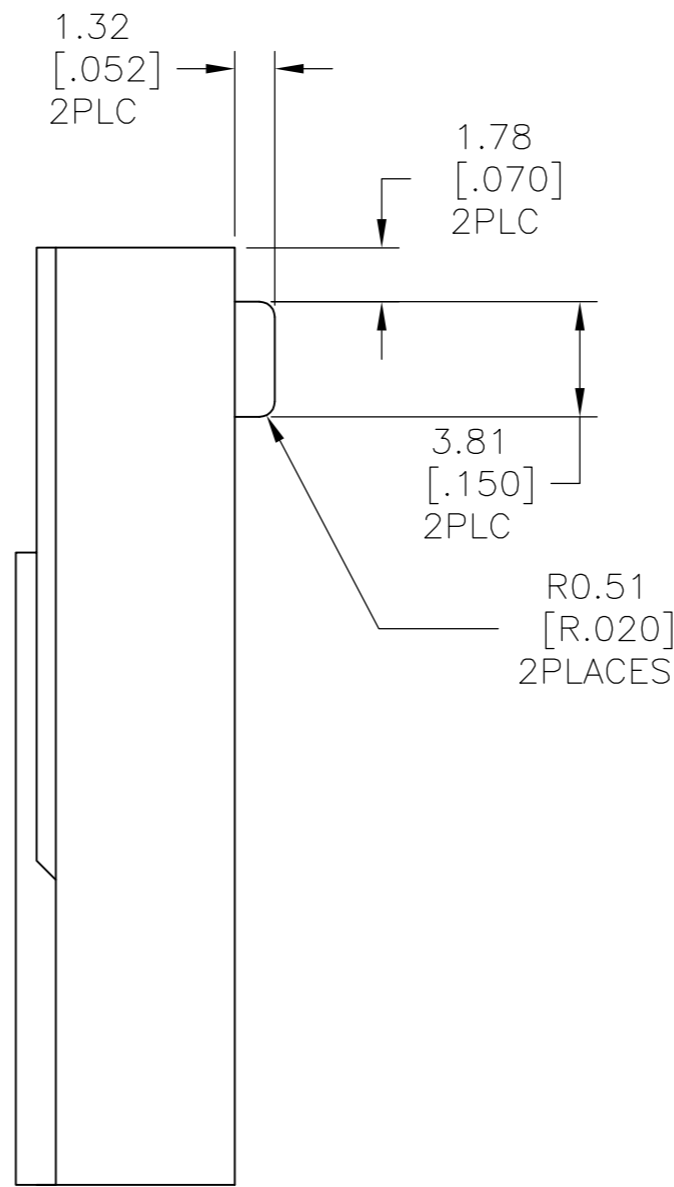
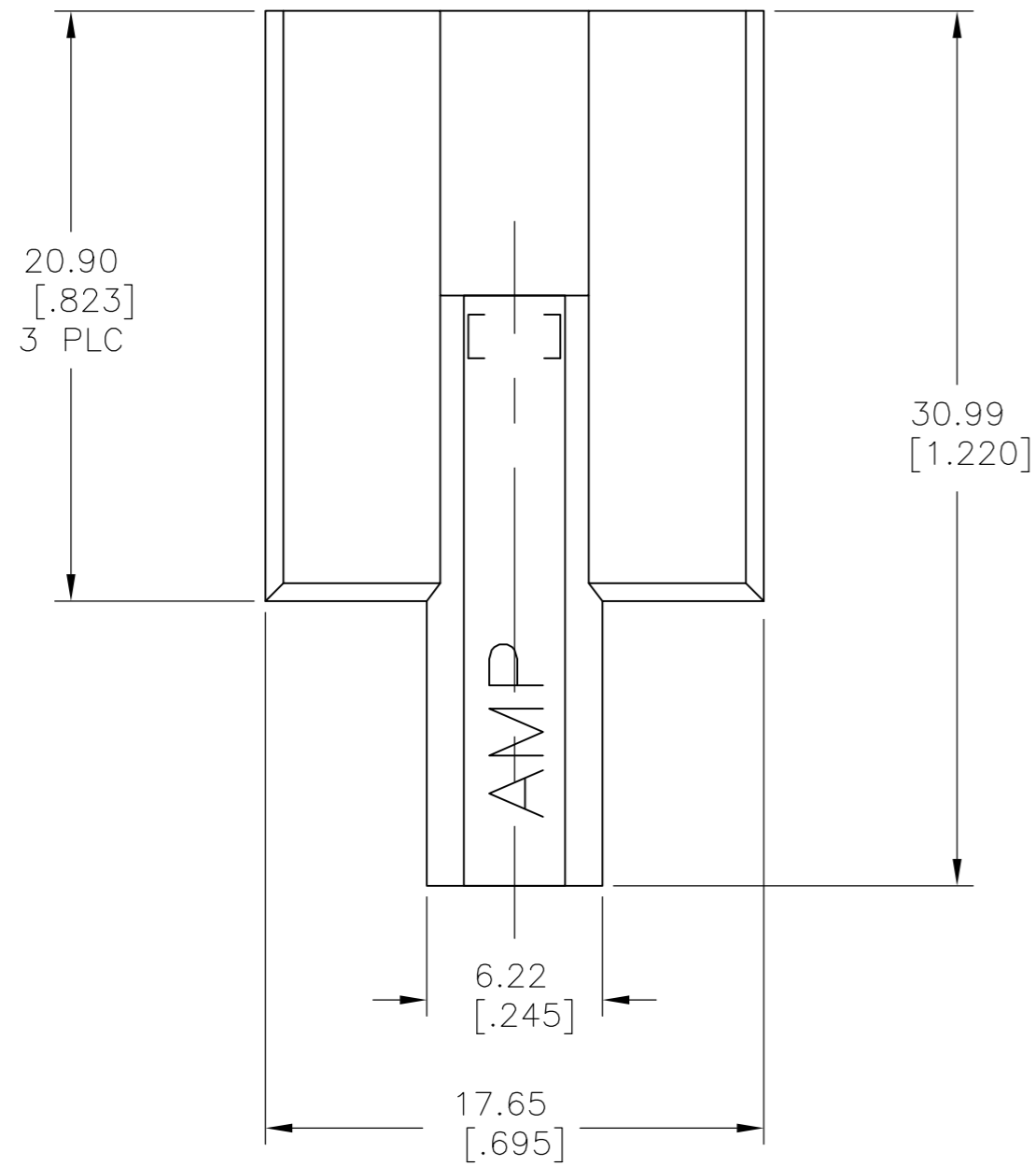
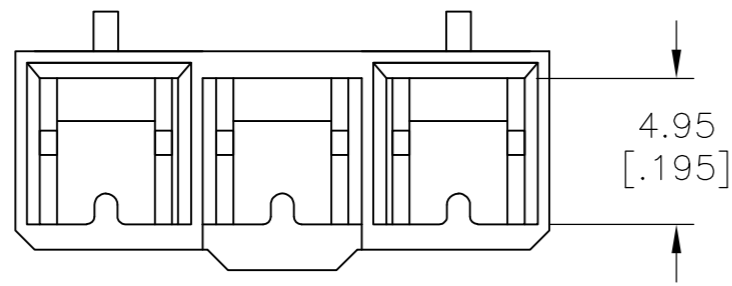


THIS DRAWING IS UNPUBLISHED. RELEASED FOR PUBLICATION
 © COPYRIGHT BY TYCO ELECTRONICS CORPORATION. ALL INTERNATIONAL RIGHTS RESERVED.

LOC		DIST		REVISIONS			
P	LTR	DESCRIPTION		DATE	DWN	APVD	
AF	50	E		REVISED PER ECR-09-006859	11AUG09	HMR	GJ



521078-1
PART NO

THIS DRAWING IS A CONTROLLED DOCUMENT.		DWN PHIL FORTNEY 6/2/93	Tyco Electronics Corporation Harrisburg, PA 17105-3608	
DIMENSIONS: mm [INCHES]		CHK JR RUTH 6/2/93	NAME	
TOLERANCES UNLESS OTHERWISE SPECIFIED:		APVD R WEAVILL 6/2/93	PRODUCT SPEC	
0 PLC ± -		108-2008		CLUSTER BLOCK, 2.29 [0.090] DIA
1 PLC ± -		APPLICATION SPEC		
2 PLC ± 0.25 [0.010]		114-2019		RESTRICTED TO
3 PLC ± -		WEIGHT		SIZE
4 PLC ± -		-		CAGE CODE
ANGLES ± -		CUSTOMER DRAWING		DRAWING NO
FINISH		SCALE 4:1		SHEET 1 OF 1
PBT UNFILLED		NATURAL		REV E