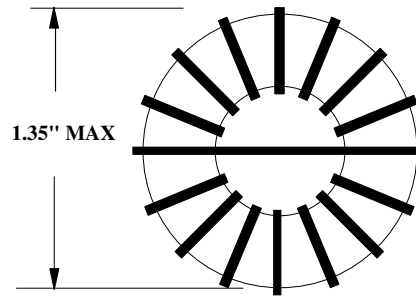
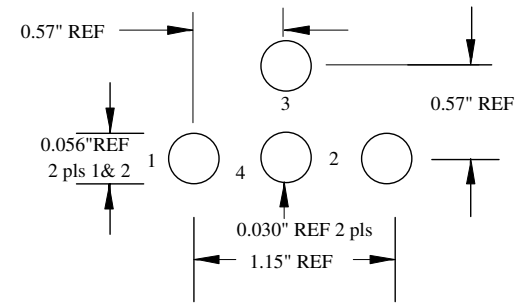


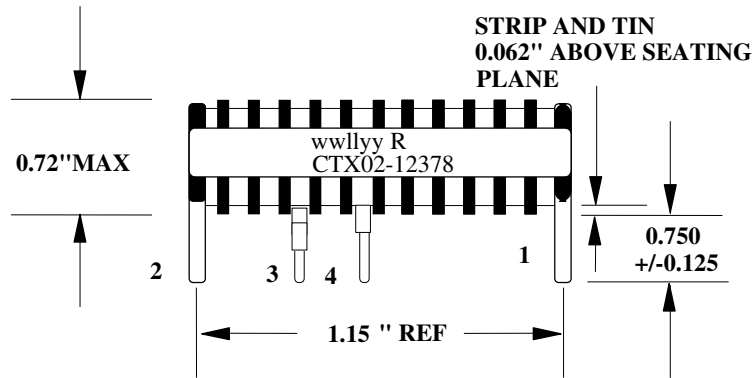
**TOP VIEW**



**RECOMMENDED PCB PAD LAYOUT**



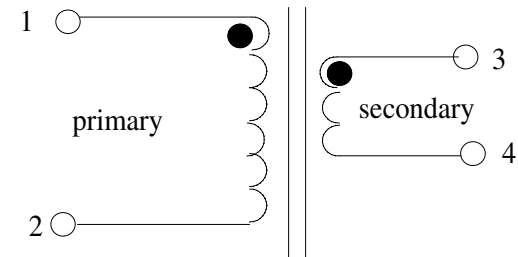
**FRONT VIEW**



**ELECTRICAL CHARACTERISTICS**

OCL (1 - 2) @ 0.100 Vrms, 100 kHz, & 0.0 Adc: 692.0 - 846.0  $\mu$ H  
 OCL (1 - 2) @ 0.250 Vrms, 100 kHz, & 2.60 Adc: 375.0  $\mu$ H minimum  
 DCR (1 - 2) @ 20°C: 0.080 Ohms maximum  
 DCR (3 - 4) @ 20°C: 0.031 Ohms maximum  
 Turns ratio: (1 - 2):(3 - 4) 23.3: 1

**SCHEMATIC**



**Notes:**

1. All dimensions are in inches
2. Tolerances are 0.xx +/- 0.020"; 0.xxx +/- 0.005" unless otherwise stated

**COOPER ELECTRONIC TECHNOLOGIES**

6000 Park of Commerce Blvd, Boca Raton, FL 33487

Inductor, power factor correction, with auxillary winding. Kool-Mu toroid, through-hole

SIZE	Drawing Number: <b>CTX02-12378</b>	
A	Revision Level: B	Sheet: 3 of 4