



MADE
IN THE USA

Product Description:

- Dental Organizer
- Holds three boxes of gloves, two boxes of face masks, quarter fold towels, and patient bibs
- Tabs on both sides of unit to hang patient bib clips
- Keyholes for wall mounting
- Quartz Beige ABS Plastic and Clear PETG Plastic

Primary Area for Product Usage:

- Anywhere personal protective equipment is needed

Dispense

- Top: Box(es) no larger than 5.00"W x 8.00"H x 4.00"D (12.7 cm x 25.4 cm x 10.2 cm)
- Middle: Box(es) no larger than 5.00"W x 8.00"H x 4.50"D (12.7 cm x 25.4 cm x 11.4 cm)
- Bottom left: Bulk multi-fold towels
- Bottom right: Patient bibs
- Tabs on sides: Patient bib clips

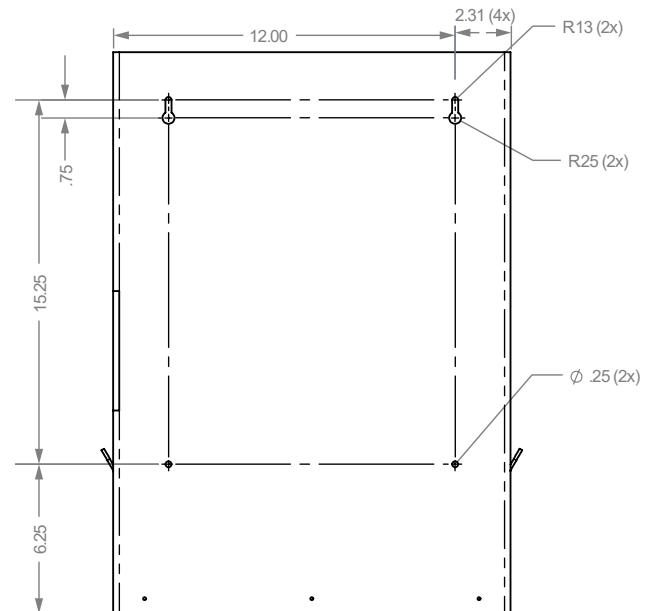
Package Specifications:

- Package Quantity: 1 per case
- 18"L x 6"W x 29"H (45.7 cm x 15.2 cm x 73.7 cm)
- 7.0 lbs (3.2 kg) - approximated

Product Specifications (overall external dimensions):

- 17.61"W x 23.50"H x 5.08"D (44.7 cm x 59.7 cm x 12.9 cm)
- 4.4 lbs (2.0 kg) - approximated

Mounting Specifications:



Related Products (each sold separately):

- BD601-0012 - Protection System Isolation Kit (shown below)

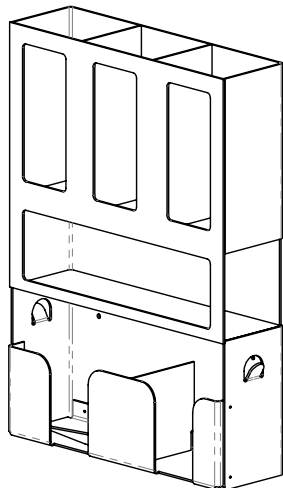




Installation

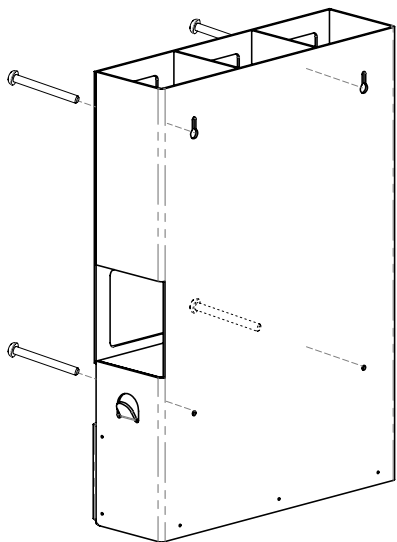
Always mount dispensers securely *prior* to loading with product.

- Towels dispense through a cutout in the bottom for quick, one-handed access.
- Patient bib clips are kept handy by hanging on the sides of the organizer.



1

- Mount securely to a wall with screws approved and supplied by building maintenance.



2

Parts included:

- Dispenser

Tools Required:

- No tools required to assemble dispenser

Care and Construction

ABS Plastic

Material Characteristics

Designed for Long-Term, Heavy-Duty Applications

The combination of copolymers (Acrylonitrile, Butadiene, and Styrene) gives ABS an excellent combination of strength, rigidity, and toughness.

ABS is chemical, stress-crack resistant, dimensionally stable, and will hold up to long-term use. It possesses high strength and performance characteristics at a reasonable cost.

Care and Cleaning

Use mild soap and water to clean. Petroleum-based oils, solvents, and paints should not be used.

Standard hospital cleaning supplies are approved for use on our ABS plastic products.

PETG Plastic

Material Characteristics

Designed for Long-Term, Heavy-Duty Applications

Copolyester resin is designed for heavy-duty applications, and is used by BOWMAN® Dispensers. We never use acrylic in our products.

Copolyester (PETG) is typically 15-20 times tougher than general purpose acrylic. PETG is made to withstand handling and reduce losses due to breakage.

PETG resists a variety of chemicals and commonly used cleaning agents. It is tough and durable (not brittle), providing years of trouble-free functionality and long life.

Clear optical characteristics mean the viewer can see the content, read text, and see true colors through the material. It complies with FDA regulations for food contact.

Care and Cleaning

Most cleaning chemicals do not weaken the surface or cause damage to the material. Suggested cleaning method is to use a soft cloth, warm water, and mild soap.