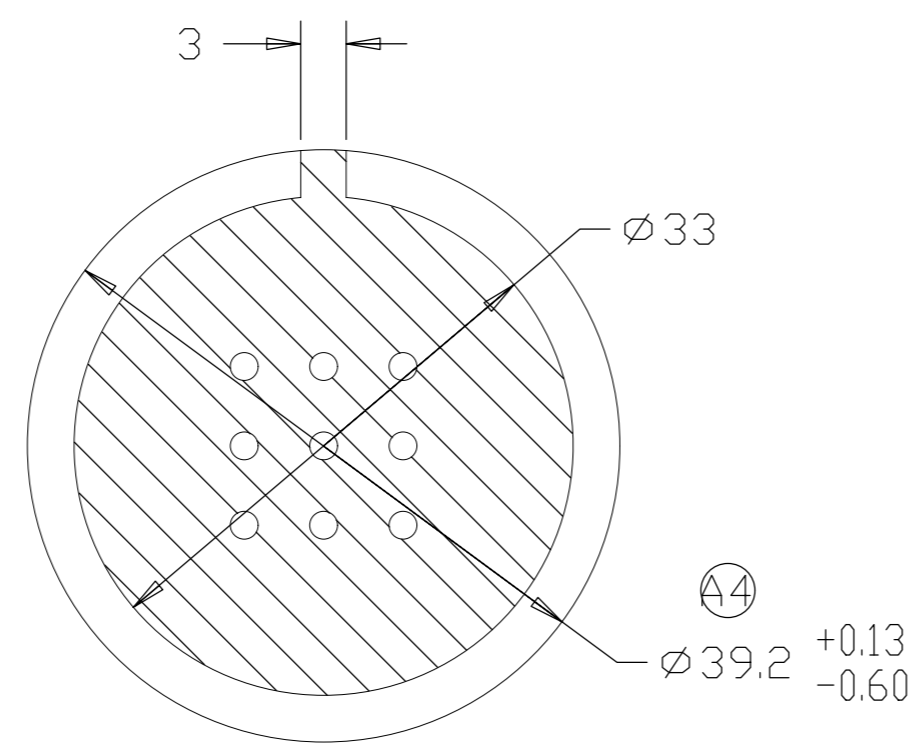
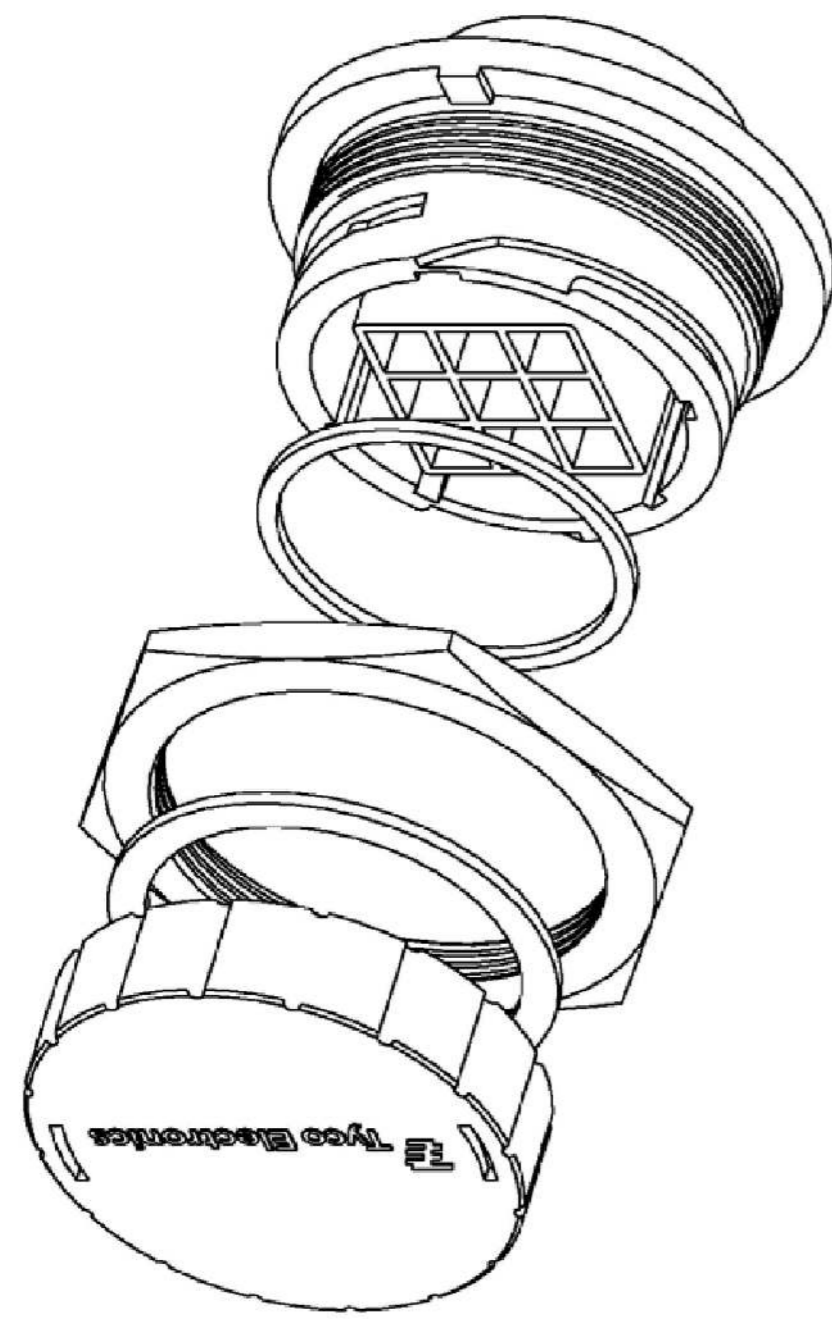
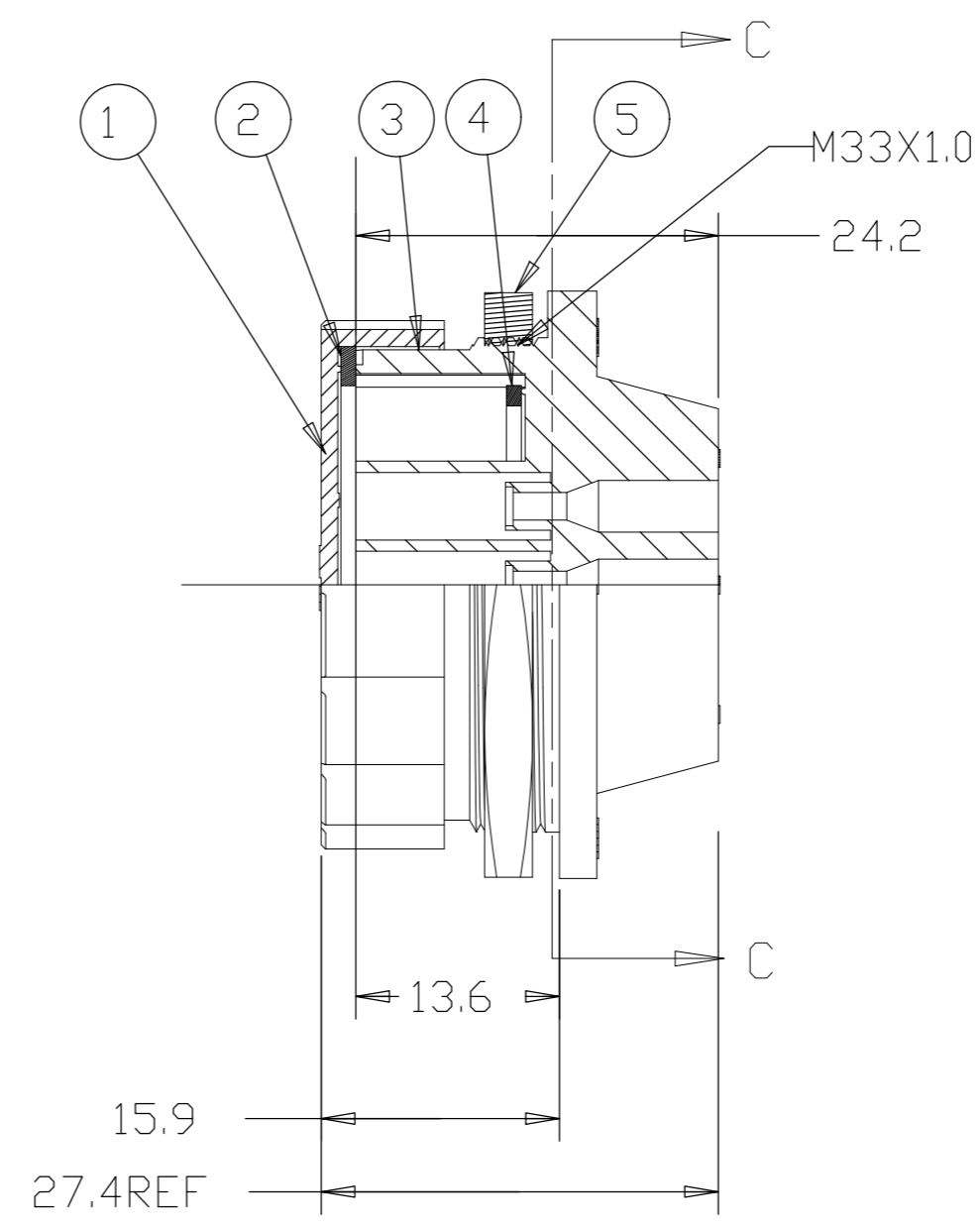


THIS DRAWING IS UNPUBLISHED. RELEASED FOR PUBLICATION 20
 © COPYRIGHT 20 BY TYCO ELECTRONICS CORPORATION. ALL RIGHTS RESERVED.

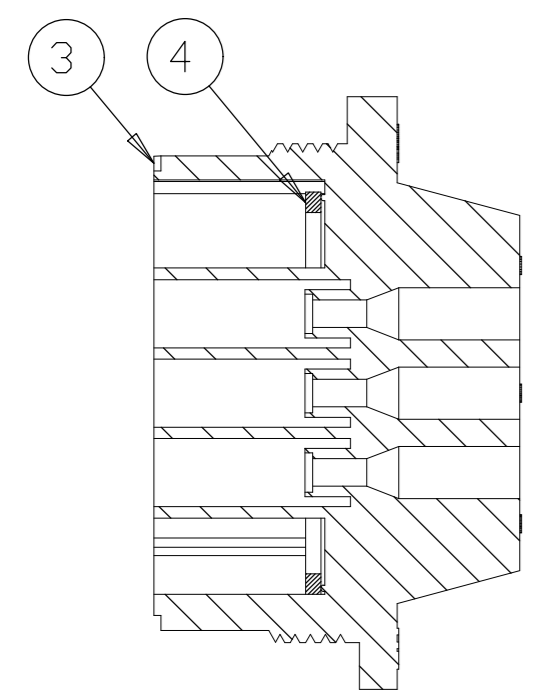
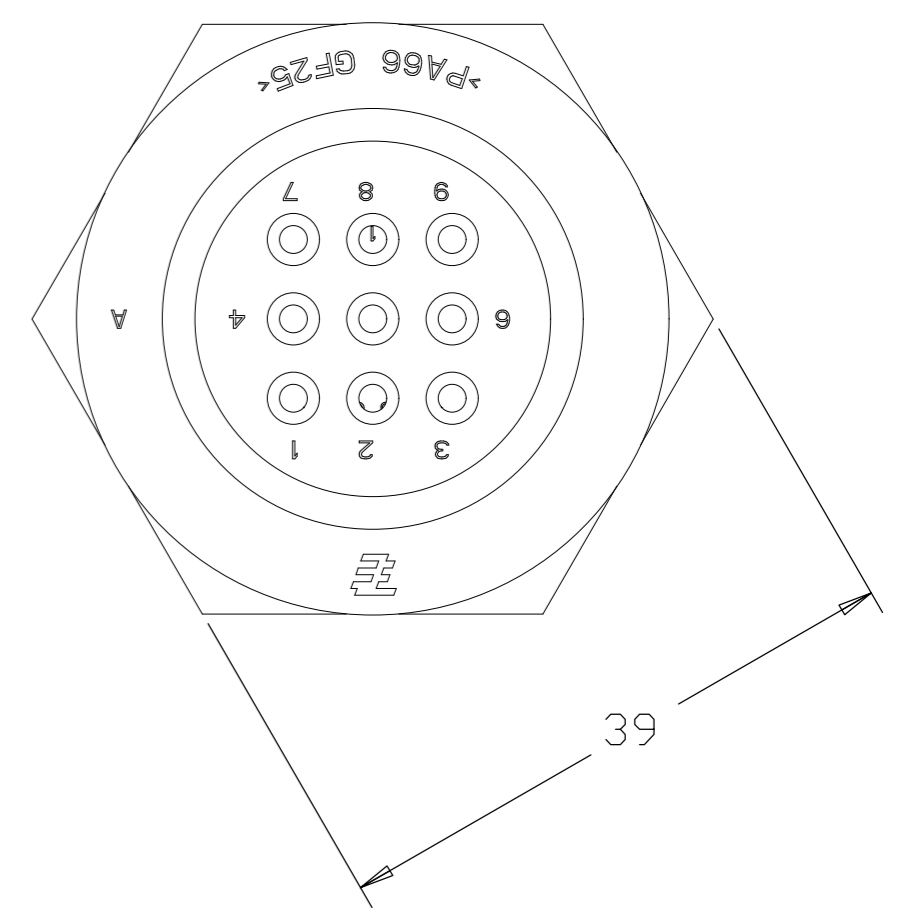
LOC		DIST		REVISIONS			
P	LTR	DESCRIPTION	DATE	DWN	APVD		
ES	00	B1	REVISED PER ECR-18-006208	28MAY2019	BDA	SG	



SECTION C-C

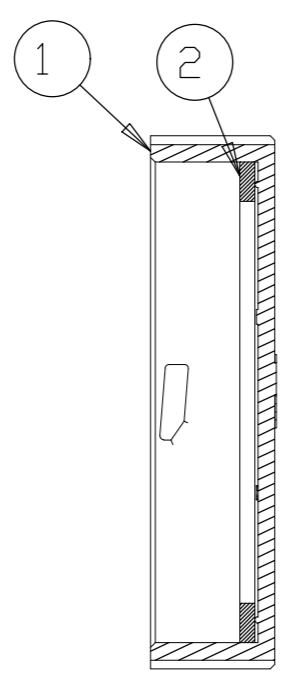


△ OBSOLETE PARTS



1971066-2 AS SHOWN

A3



1971066-3 AS SHOWN

A3

QUANTITY	DESCRIPTION	MATERIAL	ITEM No.
1	SCREW	PA66 GF25 UL94V0	5
1	SEALER	RUBBER	4
1	CAP HOUSING	PA66 GF25 UL94V0	3
1	COVER SEALER	RUBBER	2
1	COVER	PBT UL94V0	1
-4 -3 -2	1971066-1		

DIMENSIONS: mm 		TOLERANCES UNLESS OTHERWISE SPECIFIED: 0 PLC ±- 1 PLC ±0.2 2 PLC ±0.2 3 PLC ±- 4 PLC ±- ANGLES ±- FINISH ±-		DWN JOHN MA 29APR2007 CHK Sam Wu 04SEP2007 APVD Julian Zhou 04SEP2007 PRODUCT SPEC 108-106007 APPLICATION SPEC 114-16017 WEIGHT - CUSTOMER DRAWING		STE TE CONNECTIVITY NAME CAP ASSY MINI UNIVERSAL MATE-N-LOK, CPC		SIZE A2 CAGE CODE 00779 DRAWING NO C-1971066 RESTRICTED TO -	
SCALE 2:1				SHEET 1 OF 1		REV B1			