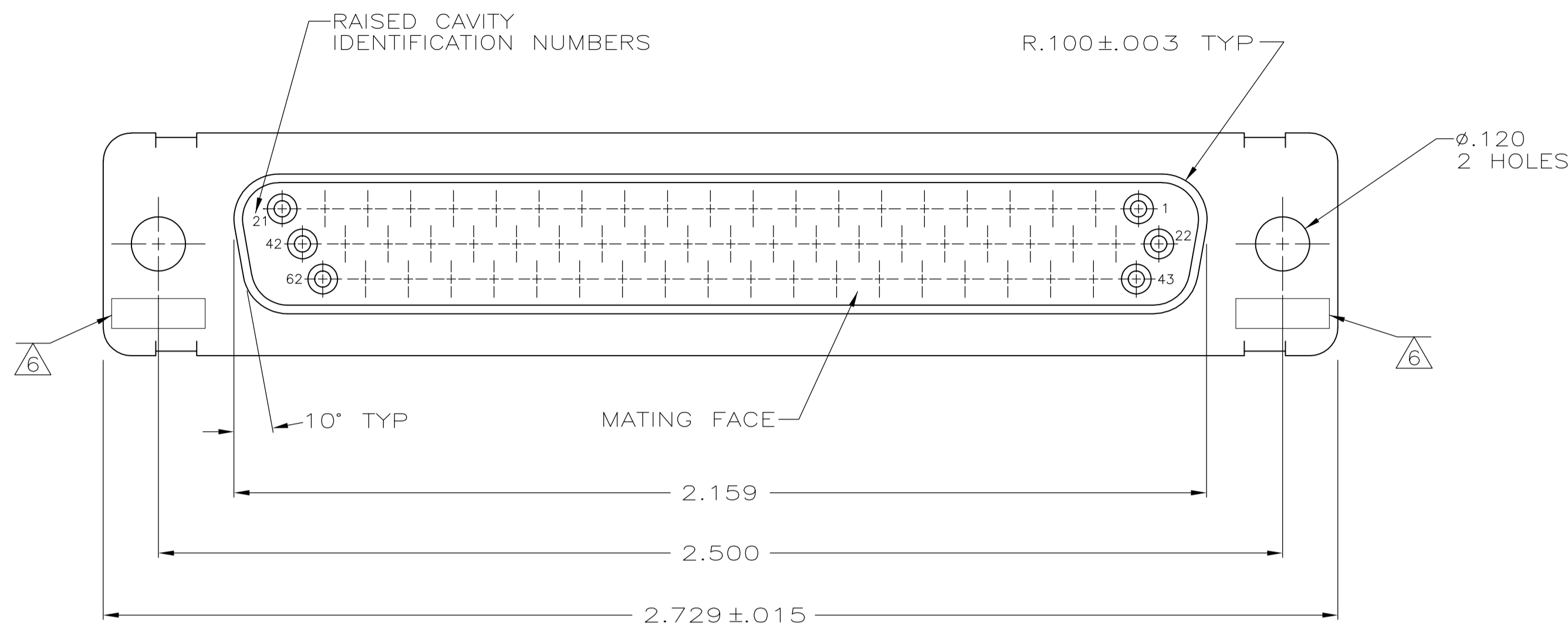
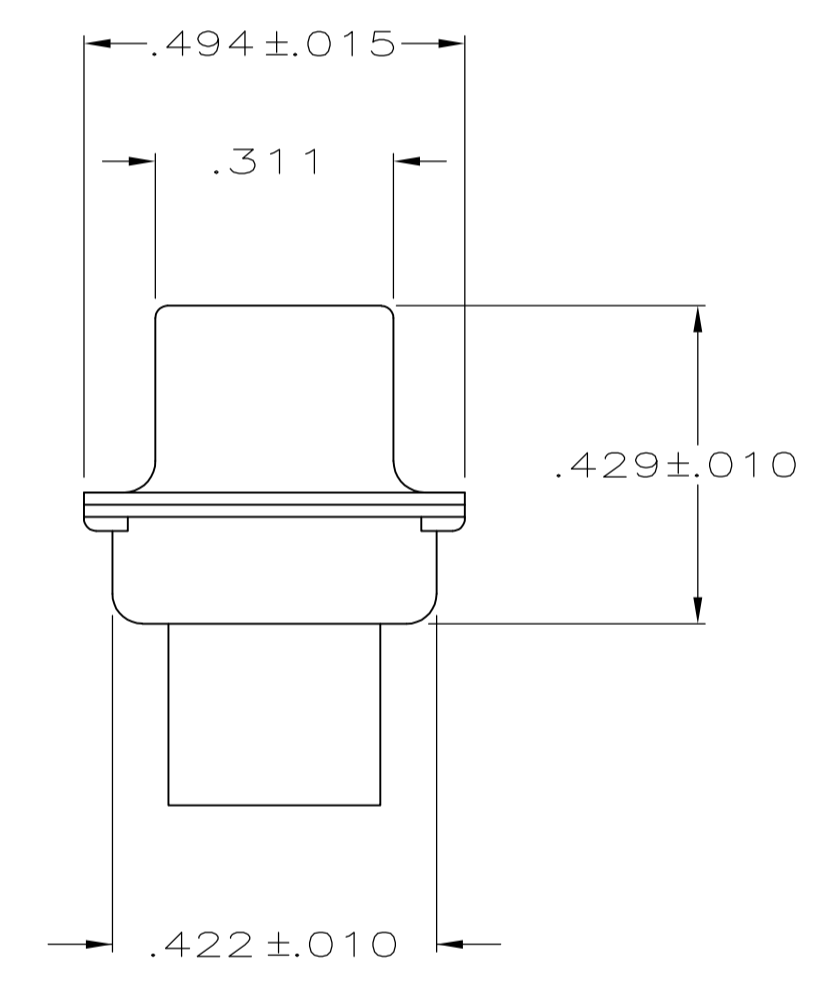
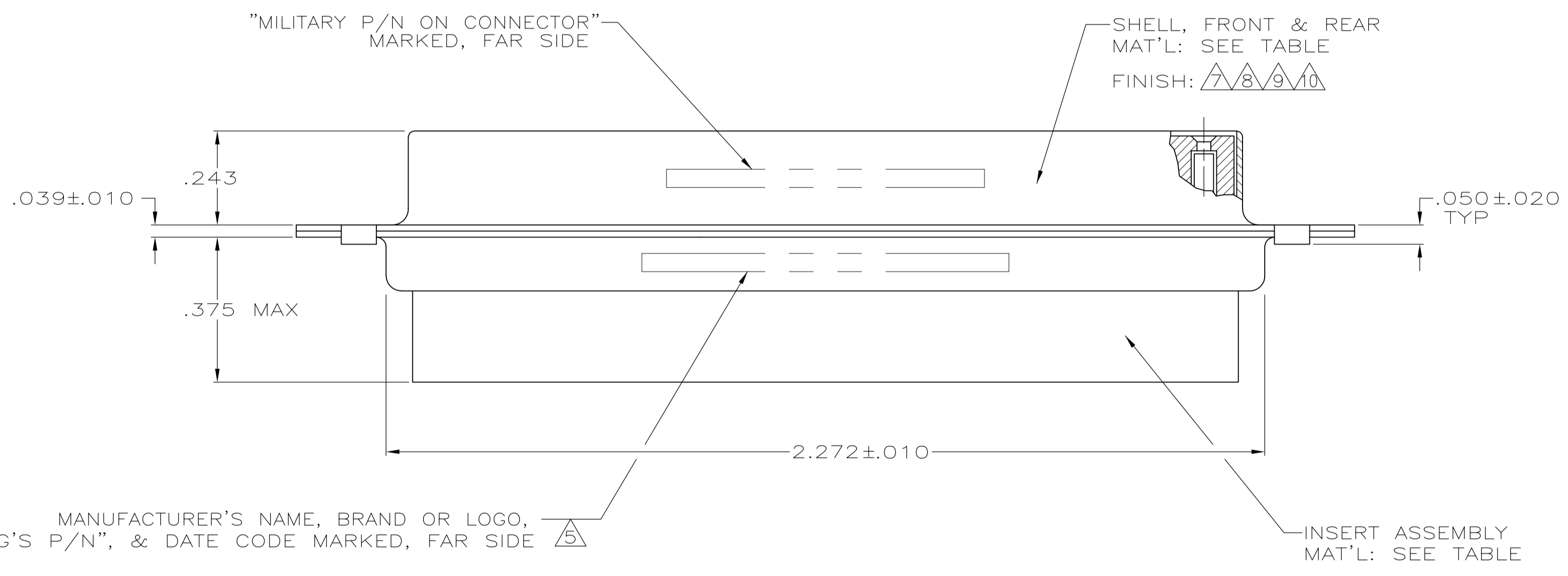


LOC		DIST		REVISIONS			
P	LTR	DESCRIPTION	DATE	DN	APVD		
U	REV PER ECO-15-016062		09NOV15	KG	CD		



- THIS RCPT. IS DESIGNED TO CONFORM TO THE LATEST ISSUE OF MIL-C-24308.
 - MAX WIRE INSUL TO BE USED WITH THIS RCPT IS .054 DIA.
 - METAL RETENTION CLIPS ARE INCLUDED IN INSERTS.
 - THIS RCPT. WILL ACCEPT SIZE 22 SOCKET CONTACT M39029/57-354 OR ANY TYCO HDD-22 SOCKET CONTACT. CONTACTS ORDERED SEPARATELY.
- △5 MFG'S PART NO. MARKED ON CONNECTOR REPRESENTS KIT NUMBER WITH CONTACTS.
 - △6 UL/CSA DESIGNATION STAMPED IN THIS AREA, OPTIONAL.
 - △7 CADMIUM PER QQ-P-416.
 - △8 BRIGHT TIN PER MIL-T-10727.
 - △9 BRIGHT TIN PER ASTM-B-545 .000400-.000550 THK OVER COPPER PER AMS2418 .000050 MIN THK.
 - △10 ZINC PER ASTM-B-633 .000200 MIN THK, YELLOW CHROMATE.



204506-6	-	-	-	△9	STEEL, CLASS G	POLYPHENYLENE SULFIDE(PPS) PER MIL-M-24519, TYPE GST-40F COLOR: BLACK	204506-6
204506-5	-	-	-	△10	STEEL, CLASS G	POLYPHENYLENE SULFIDE(PPS) PER MIL-M-24519, TYPE GST-40F COLOR: BLACK	204506-5
204506-4	-	-	-	△8	STEEL, CLASS G	POLYPHENYLENE SULFIDE(PPS) PER MIL-M-24519, TYPE GST-40F COLOR: BLACK	204506-4
SUPSD BY 204506-1	-	-	-	△7	STEEL, CLASS G	PHENOLIC COLOR: BLACK	204506-3
SUPSD BY 206503-4	-	-	-	△7	BRASS	DIALLYL PATHALATE COLOR: BLUE	204506-2
204518-2	M24308/2-289F	M24308/2-14F	△5	△7	STEEL, CLASS G	POLYPHENYLENE SULFIDE(PPS) PER MIL-M-24519, TYPE GST-40F COLOR: BLACK	204506-1
MFG'S P/N MARKED ON CONNECTOR	MILITARY P/N ON PACKAGE	MILITARY P/N ON CONNECTOR	REMARKS	SHELL FINISH	SHELL MAT'L	INSERT MAT'L	PART NO.

THIS DRAWING IS A CONTROLLED DOCUMENT. DIMENSIONS: INCHES. TOLERANCES UNLESS OTHERWISE SPECIFIED: 0 PLC ± .005, 1 PLC ± .005, 2 PLC ± .005, 3 PLC ± .005, 4 PLC ± .005, ANGLES ± 0'30". MATERIAL: SEE TABLE. FINISH: SEE CALLOUTS. WEIGHT: -. SIZE: A1. CUSTOMER DRAWING. SCALE: 4:1. SHEET: 1 OF 1. REV: U.

APPROVED: F.C. BALLEW. DATE: 25-JAN-88. NAME: AMPLIMITE RCPT FOR SOCKET CONTACTS HI-DENSITY D CONNECTOR SIZE 4 (62 POSN) SERIES 90. DRAWING NO: 00779. PART NO: 204506.

STE TE Connectivity