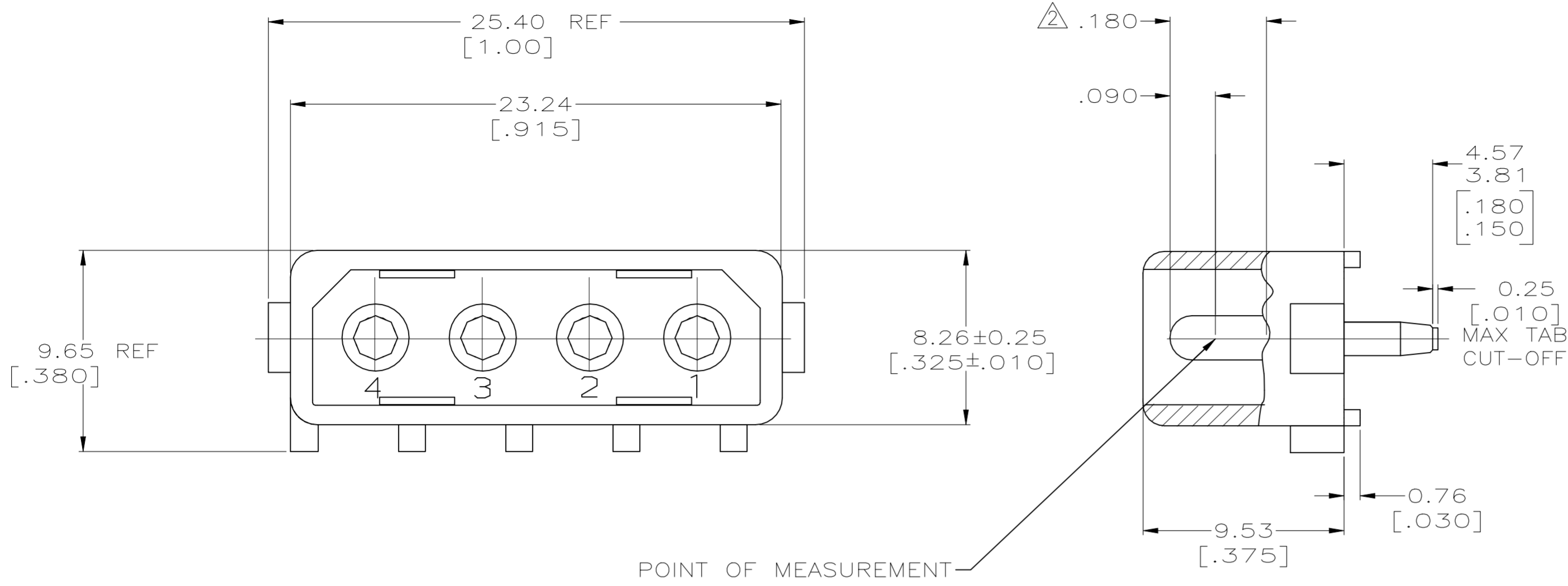
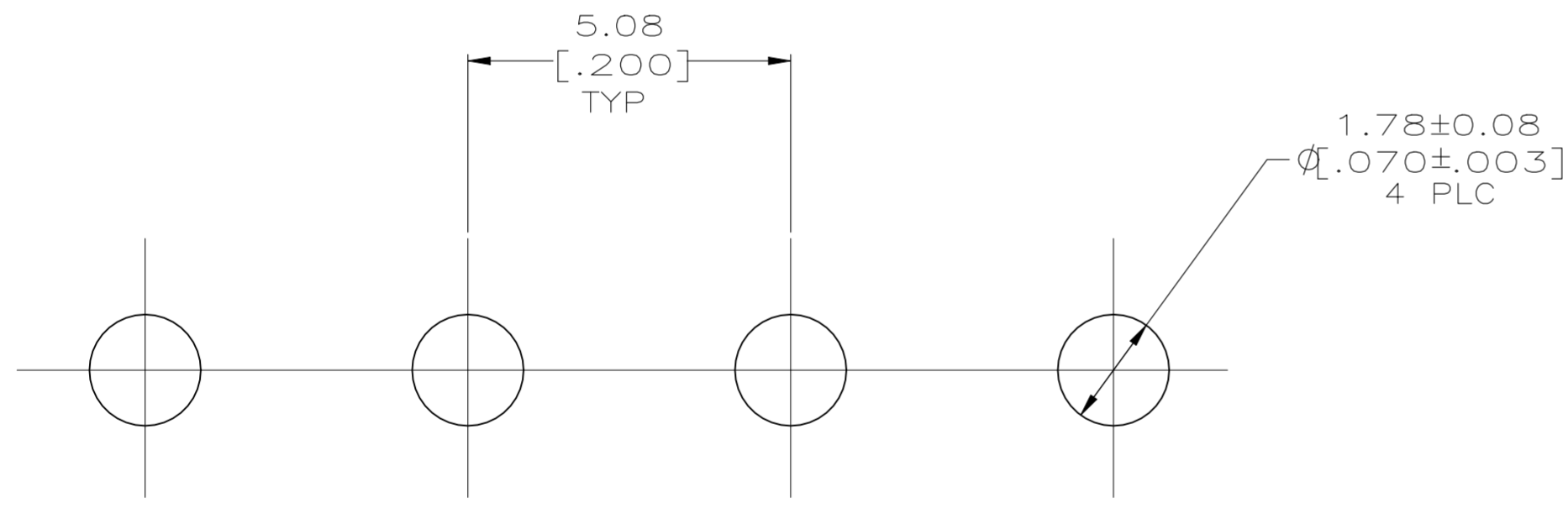


THIS DRAWING IS UNPUBLISHED. RELEASED FOR PUBLICATION
 © COPYRIGHT - By - ALL RIGHTS RESERVED.

LOC		DIST		REVISIONS			
P	LTR	DESCRIPTION		DATE	DWN	APVD	
CM	0	P1	REVISED PER ECR-21-117185	25OCT2021	PJ	VS	



- PARTS MUST COMPLY WITH AMP SOLDERABILITY SPECIFICATION 109-11-3.
- CONTACT IS PLATED OVERALL WITH 0.00127 [.000050] NICKEL, THEN 0.00076 [.000030] GOLD OVER CONTACT LENGTH INDICATED AND MATTE TIN ON SOLDER TAIL END.
- DIMENSION SHOWN REPRESENT PRODUCT IN DRY CONDITION. ADDITIONAL 2% GROWTH DUE TO END USE LOCATION MOISTURE ABSORPTION MAY OCCUR AND SHOULD BE ACCOUNTED FOR.



RECOMMENDED P.C. BOARD LAYOUT
 FOR 1.57 [.062] THICK P.C. BOARD
 SCALE 10:1

PHOS BRZ, TIN PLATED	NYLON,UL94V-2	1586515-3
	NYLON,UL94V-2	1586515-2
PIN CONTACT MATERIAL & FINISH	HOUSING MATERIAL & COLOR	PART NUMBER

THIS DRAWING IS A CONTROLLED DOCUMENT.		DWN S SCHLEGEL 7/28/05	STE TE Connectivity	
DIMENSIONS: mm [INCHES]		CHK D. COLEY 7/28/05		
TOLERANCES UNLESS OTHERWISE SPECIFIED:		APVD D. COLEY 7/28/05	NAME	
0 PLC ± -		PRODUCT SPEC	HEADER ASSEMBLY, 4 CIRCUIT, COMMERCIAL MATE-N-LOK(TM)	
1 PLC ± -		APPLICATION SPEC	-	
2 PLC ± 0.38 [.015]		WEIGHT -	SIZE A2	CAGE CODE 00779
3 PLC ± -		FINISH SEE TABLE	DRAWING NO C=1586515	RESTRICTED TO -
4 PLC ± -			SCALE 5:1	SHEET 1 OF 1
ANGLES ± 0°30'		CUSTOMER DRAWING	REV P1	