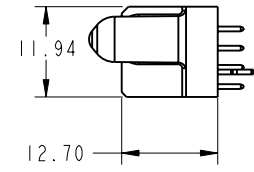
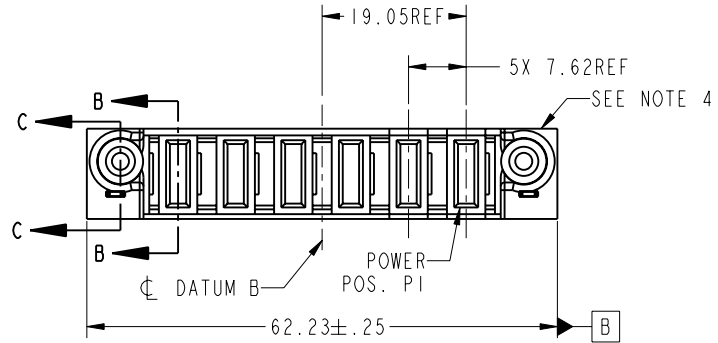


Tous droits strictement reserves. Reproduction ou communication a des tiers interdite sous quelque forme que ce soit sans autorisation écrite du propriétaire. Propriété de c FCI. Droits de reproduction FCI.



All rights strictly reserved. Reproduction or issue to third parties in any form whatever is not permitted without written authority from the proprietor. Property of FCI. Copyright FCI.

PRODUCT NO.	POWER							
	E2	P6	P5	P4	P3	P2	P1	E1
51940-194-- NOTE: 3								



CODE	DIM "M" MATING LENGTH	CONTACT TYPE
PA	[1.07]	POWER
PD	[2.34]	POWER
HA	[N/A]	HOLD-DOWN

mat'l code				SEE NOTE		tolerances unless otherwise specified		CUSTOMER		CONFIDENTIAL	
litr	ecr no.	dr	date	linear	0.X ± 0.3	projection		COPY		www.fciconnect.com	
A	DG06-0317	JMG	07/28/06	angles	0.XX ± 0.10	MM		title		6ACP VERTICAL SOLDER RECEPT	
				dr	0.XXX ± 0.050	scale		product family		PwrBlade code	
				engr	0° ± 2°	1:1		size		213	
				chr	JM GUO 07/28/06			dwg no		1 of 4	
				oppd	SALLY LUO 07/28/06			A		51940-194	
					BEER FU 07/28/06						
					JOSEPH HSIA 07/28/06						
sheet index	revision sheet	A	A	A	A						
		1	2	3	4						

cage code 22526

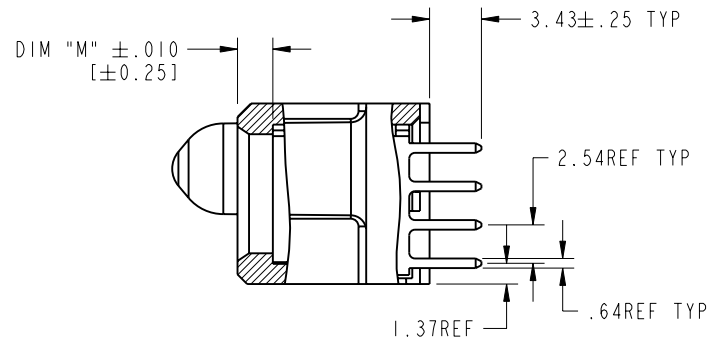
Pro/E

Tous droits strictement reserves. Reproduction ou communication a des tiers interdite sous quelque forme que ce soit sans autorisation ecrite du proprietaire. Propriete de c FCI. Droits de reproduction FCI.

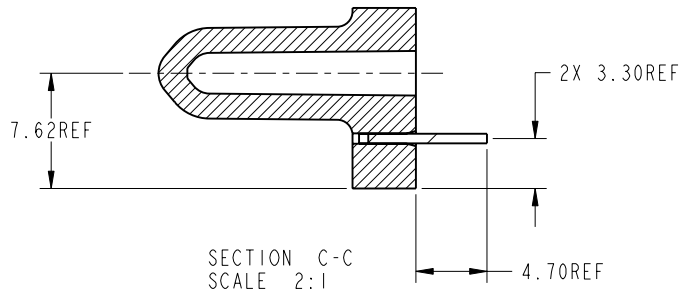
All rights strictly reserved. Reproduction or issue to third parties in any form whatever is not permitted without written authority from the proprietor. Property of FCI. Copyright FCI.

PRODUCT NUMBER

51940-194\_\_  
NOTE: 3



SECTION B-B  
SCALE 2:1



SECTION C-C  
SCALE 2:1

CONFIDENTIAL

mat'l code				SEE NOTE		tolerances unless otherwise specified		CUSTOMER		FCI www.fciconnect.com	
lfr	ecr no.	dr	date	linear	0.X ±0.3	projection	COPY	title			
A					0.XX ±0.10			6ACP VERTICAL SOLDER RECEIPT			
				angles	0.XXX ±0.050			product family	PwrBlade	code	213
				dr	JM GUO 07/28/06	scale	1:1	size	dwg no	2 of 4	
				engr	SALLY LUO 07/28/06			A	51940-194		
				chr	BEER FU 07/28/06						
				appd	JOSEPH HSIA 07/28/06						
sheet index	revision sheet										

cage code 22526

Pro/E

PDM: Rev:A

STATUS: Released

Printed: Dec 20, 2010

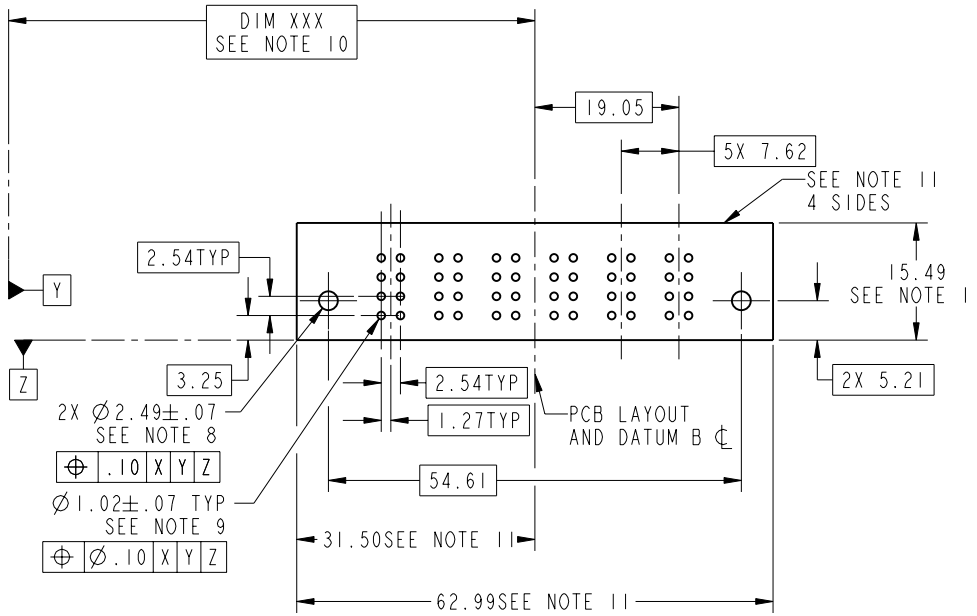
Tous droits strictement reserves. Reproduction ou communication a des tiers interdite sous quelque forme que ce soit sans autorisation ecrite du proprietaire. Propriete de c FCI. Droits de reproduction FCI.



All rights strictly reserved. Reproduction or issue to third parties in any form whatever is not permitted without written authority from the proprietor. Property of FCI. Copyright FCI.

PRODUCT NUMBER

51940-194\_\_  
NOTE: 3



CONFIDENTIAL

mat'l code				SEE NOTE		tolerances unless otherwise specified		CUSTOMER		FCI www.fciconnect.com	
ltr	ecr no.	dr	date	linear	0.X ± 0.3	projection	MM	COPY		title	
A				linear	0.XX ± 0.10			6ACP		VERTICAL SOLDER RECEPT	
				angles	0.XXX ± 0.050			product family		PwrBlade	
				dr	JM GUO 07/28/06	scale		size		213	
				enqr	SALLY LUO 07/28/06	1:1		dwg no		3 of 4	
				chr	BEER FU 07/28/06			A		51940-194	
				appd	JOSEPH HSIA 07/28/06						
sheet index		revision sheet									

cage code 22526

Pro/E

Tous droits strictement réservés. Reproduction ou communication o des tiers interdite sous quelque forme que ce soit sans autorisation écrite du propriétaire. Propriété de c FCI. Droits de reproduction FCI.



All rights strictly reserved. Reproduction or issue to third parties in any form whatever is not permitted without written authority from the proprietor. Property of FCI. Copyright FCI.

**PRODUCT NUMBER**

51940-194\_\_  
NOTE: 3

NOTES:

1. DIMENSIONS AND TOLERANCES ARE IN ACCORDANCE WITH ASME Y14.5M, 1994 UNLESS OTHERWISE SPECIFIED.

CONNECTOR NOTES:

- 2 HOUSING MATERIAL: UL 94 V-0 GLASS FILLED  
HIGH-TEMP THERMOPLASTIC  
POWER CONTACT MATERIAL: COPPER ALLOY  
SIGNAL PIN MATERIAL: COPPER ALLOY
  - 3. 51940-194;51940-194LF;51940-194GLF PLATING SPEC. SEE PRINT:10064183
  - 4 MANUFACTURER'S NAME, P/N, AND DATE CODE TO APPEAR ON THIS SURFACE.
  - 5. PRODUCT SPECIFICATION GS-12-149.  
APPLICATION SPECIFICATION BUS-20-067.
  - 6. PACKAGED IN TRAYS.
- PCB NOTES:
- 7. ALL HOLE DIAMETERS ARE FINISHED HOLE SIZE.
  - 8 MOUNTING HOLES, WHERE APPLICABLE, ARE UNPLATED.
  - 9  $\varnothing 1.151 \pm 0.025$  DRILLED HOLES PLATED WITH  
0.008 MIN SnPb OVER 0.03  
TO 0.08 Cu PLATING TO ACHIEVE  
 $\varnothing 1.02 \pm 0.07$  HOLE.
  - 10 "DIM XXX" TO BE DETERMINED BY THE CUSTOMER.
  - 11 CONNECTOR KEEP-OUT ZONE.

**CONFIDENTIAL**

mat'l code				SEE NOTE		tolerances unless otherwise specified		CUSTOMER		www.fciconnect.com		
ltr	ecr no.	dr	date	linear	0.X ±0.3		COPY			title		
A					0.XX ±0.10		6ACP			VERTICAL SOLDER RECEPT		
					angles	0.XXX ±0.050				product family PwrBlade code		
				0° ±2°		scale		size		213		
				dr	JM GUO	07/28/06	1:1		A		4 of 4	
				engr	SALLY LUO	07/28/06			51940-194			
				chr	BEER FU	07/28/06						
				appd	JOSEPH HSIA	07/28/06						
sheet index	revision sheet											

coge code 22526