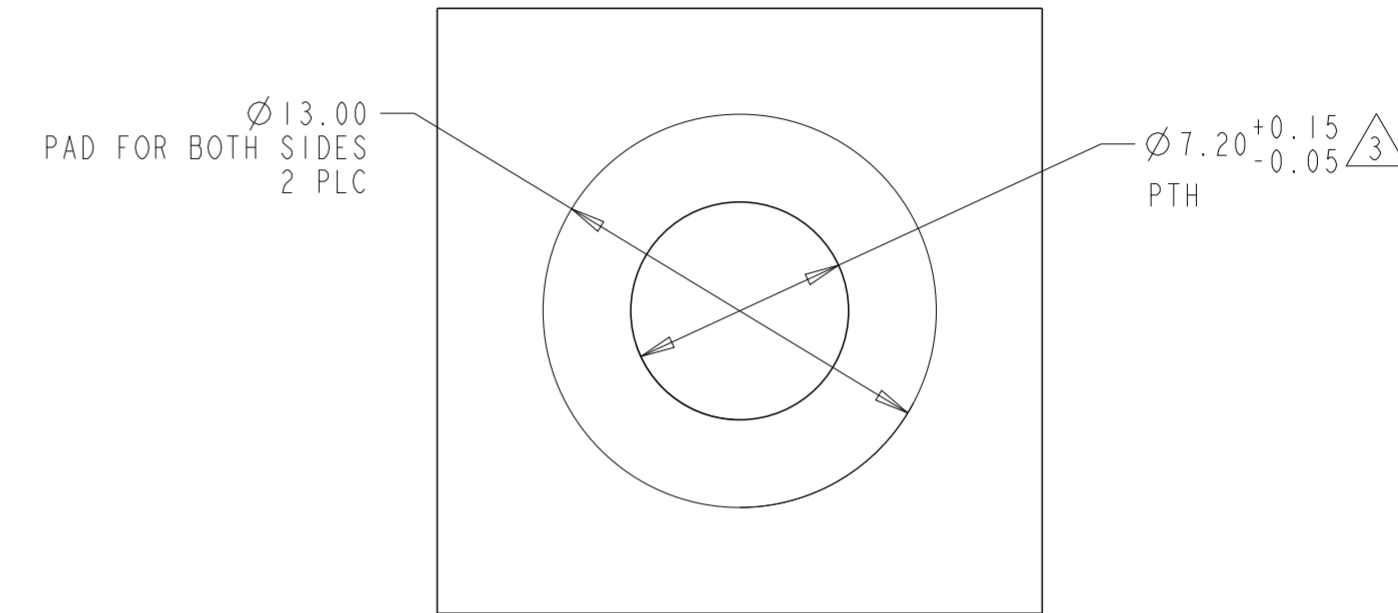
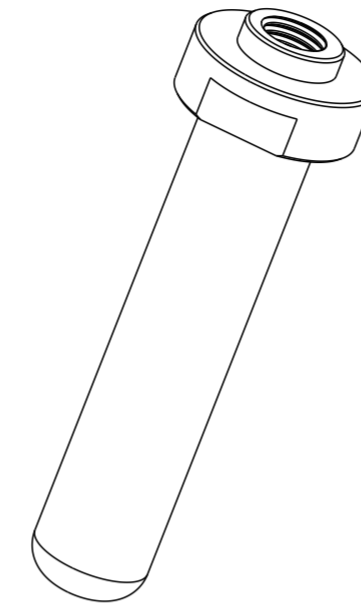
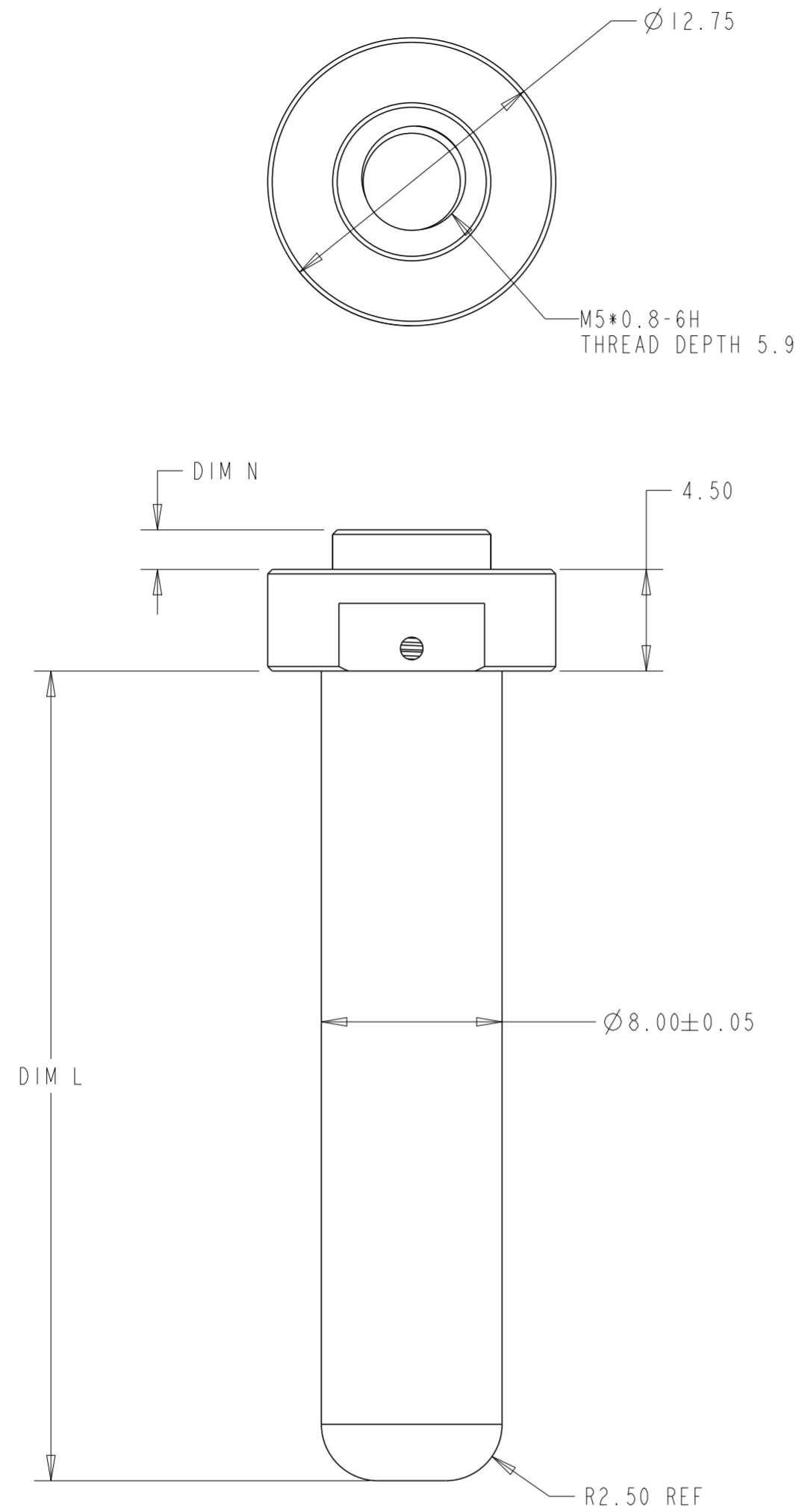
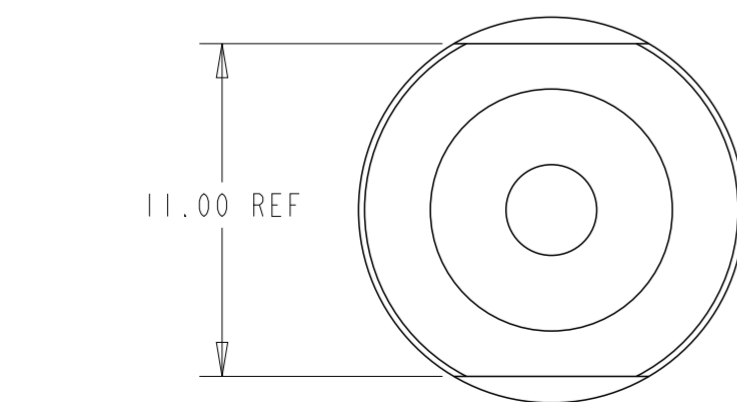


REVISIONS					
P	LTR	DESCRIPTION	DATE	DWN	APVD
	A8	ECR-23-165912	22FEB2023	TZ	SH



RECOMMENDED BUS BAR LAYOUT  
RECOMMENDED THICKNESS: 2mm MIN



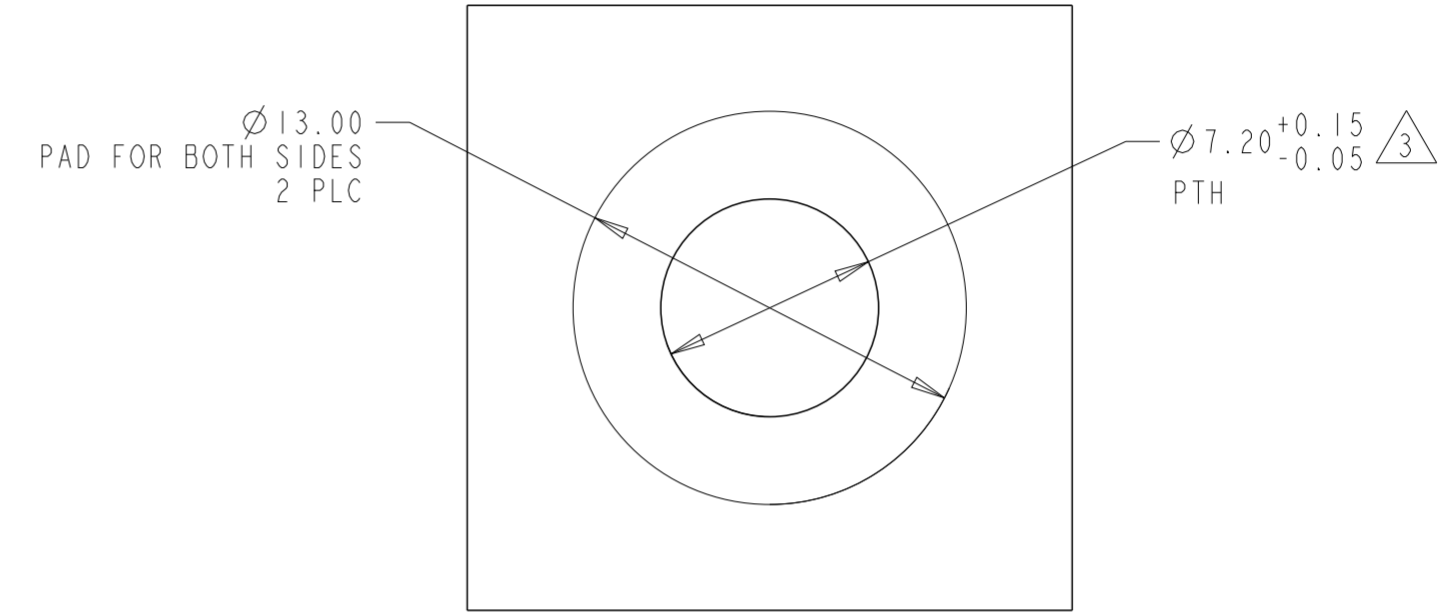
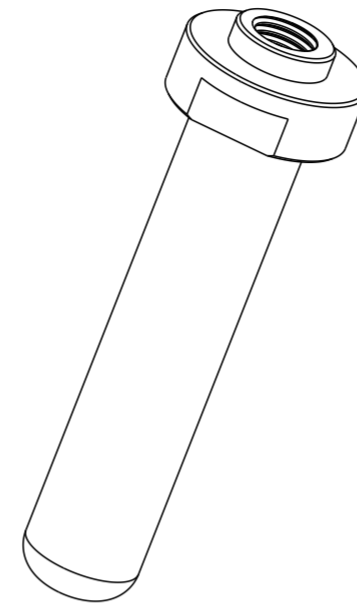
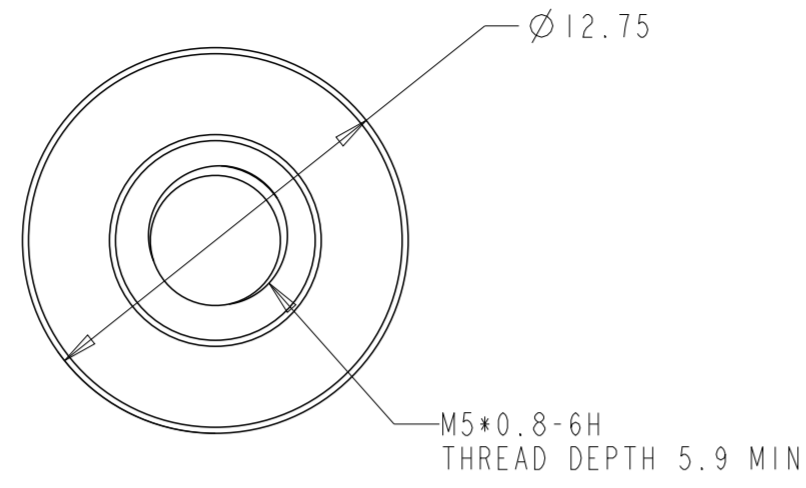
NOTES:

- 1 MATERIAL: COPPER ALLOY
- 2 FINISH: SILVER PLATING.
- 3 RECOMMENDED DRILL HOLE SIZE:  $\varnothing 7.30\text{mm}$

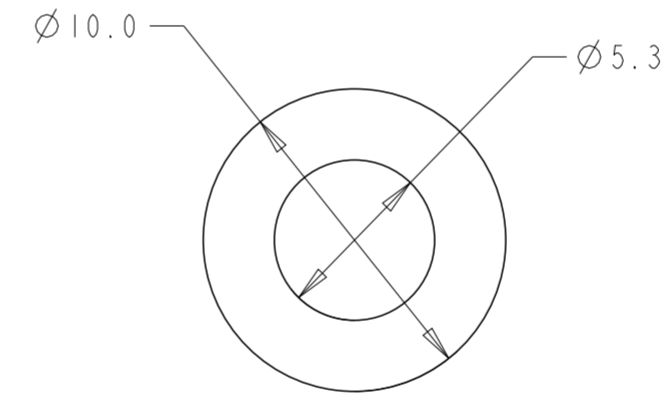
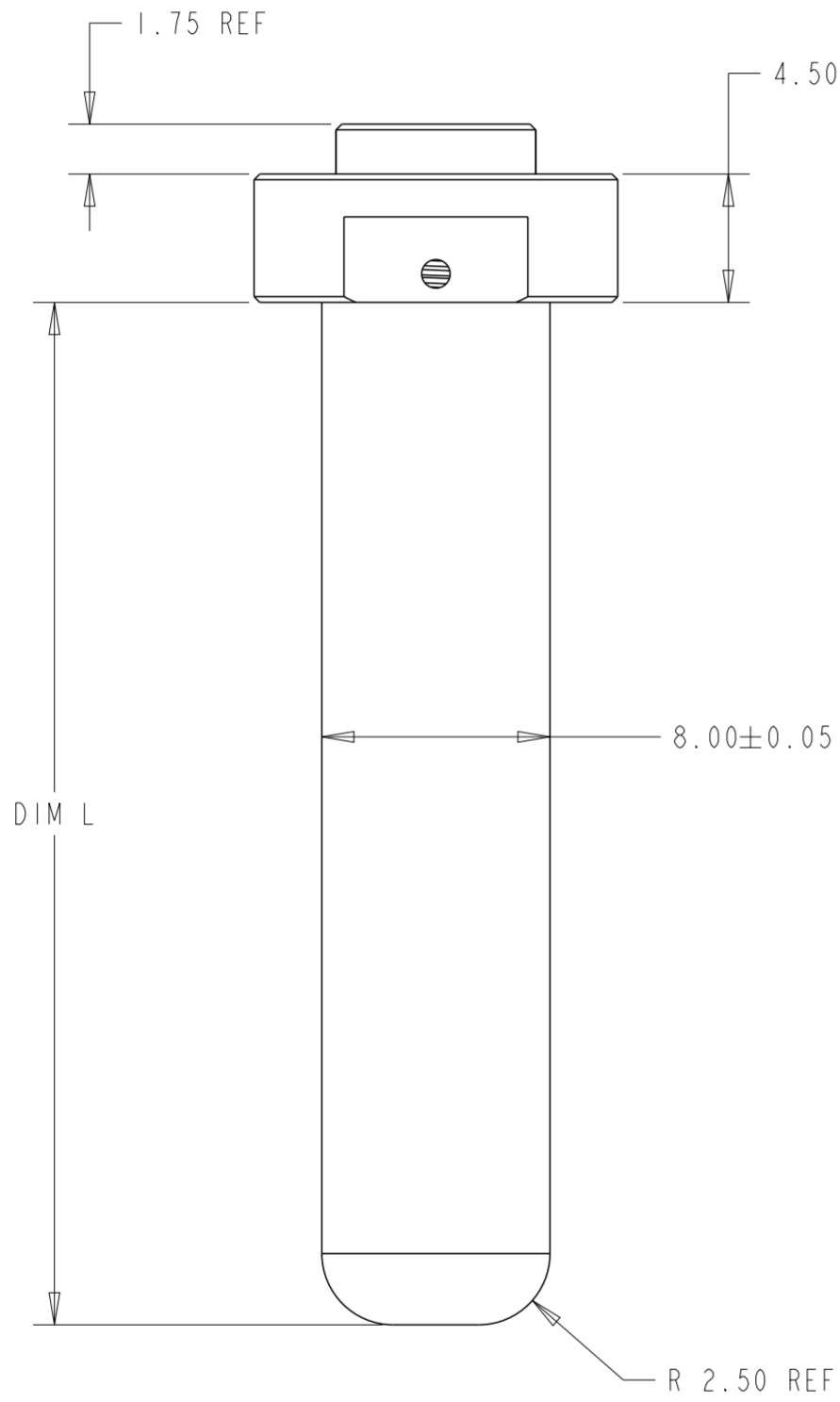
1.75	18.60	1-2361493-4
1.75	17.50	1-2361493-3
1.75	99.50	1-2361493-1
1.75	59.00	1-2361493-0
1.75	81.00	2361493-9
1.75	31.15	2361493-8
1.75	73.85	2361493-7
1.75	27.25	2361493-6
1.75	56.55	2361493-5
1.75	35.00	2361493-4
1.75	26.00	2361493-3
1.75	26.15	2361493-2
1.75	35.85	2361493-1
DIM N	DIM L	PART NUMBER

THIS DRAWING IS A CONTROLLED DOCUMENT.		DWN ANDY LI	16AUG2019	TE Connectivity	
DIMENSIONS: mm		CHK -	-		
TOLERANCES UNLESS OTHERWISE SPECIFIED:		APVD SUNY ZHAO	16AUG2019	NAME PIN SIZE 8.0mm, PIN FLOATING ICCON INSERT	
0 PLC ±		PRODUCT SPEC 108-128111		APPLICATION SPEC	
1 PLC ±0.30		114-128112		RESTRICTED TO	
2 PLC ±0.20		WEIGHT		SIZE A2	
3 PLC ±0.10		CUSTOMER DRAWING		CAGE CODE 00779	
4 PLC ±0.0001		SCALE 4:1		DRAWING NO C-2361493	
ANGLES ±		SHEET 1 OF 3		REV A8	
FINISH		SHEET		REV	

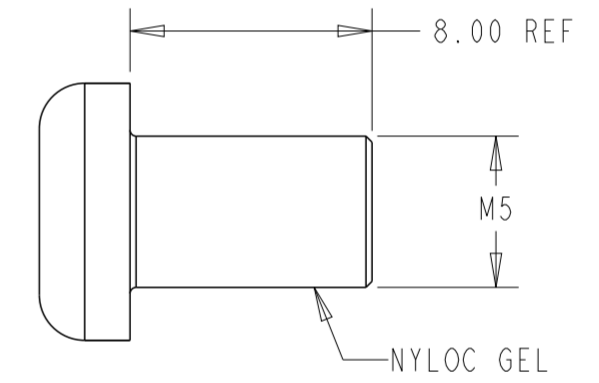
P	LTR	DESCRIPTION	DATE	DWN	APVD
		SEE SHEET 1			



RECOMMENDED BUS BAR LAYOUT  
RECOMMENDED THICKNESS: 2mm~3.8mm



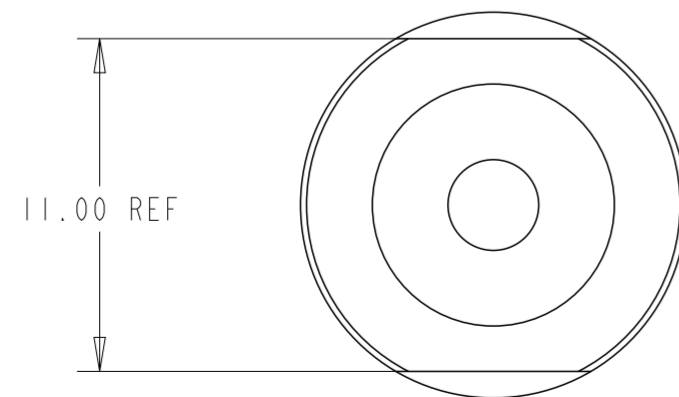
WASHER, THICKNESS: 1.2mm  
MATERIAL: STEEL, Zn PLATING OR EQUIVALENT



M5 SCREW WITH NYLOC  
MATERIAL: STEEL, Zn PLATING OR EQUIVALENT

NOTES:

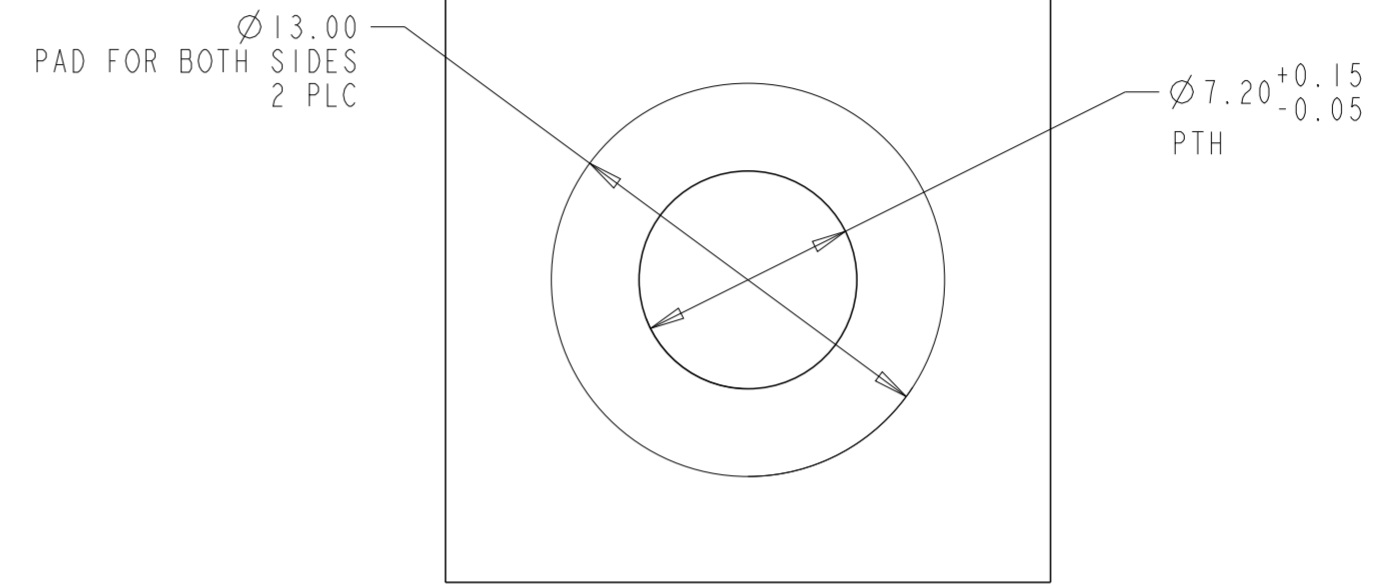
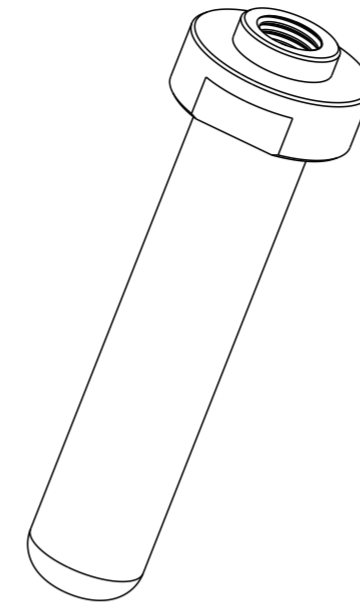
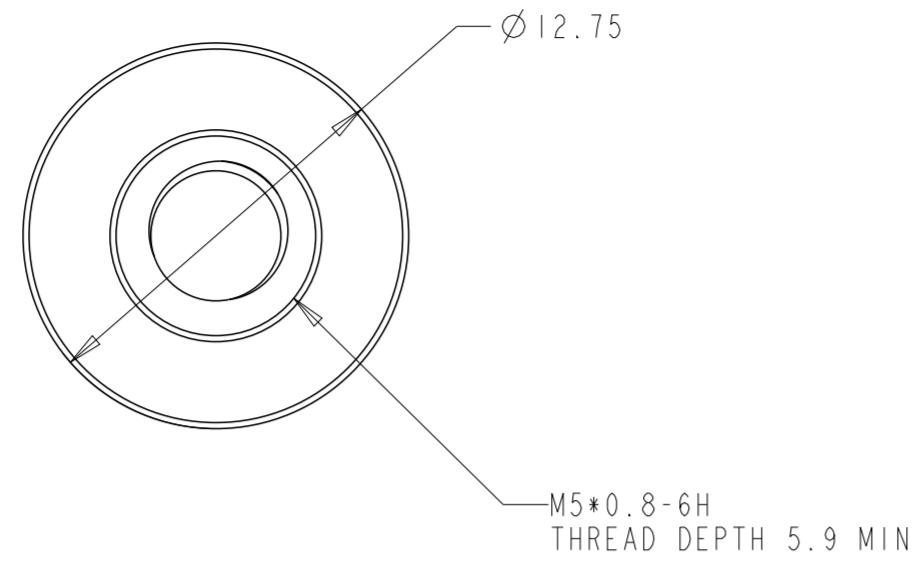
- 1 MATERIAL: COPPER ALLOY
- 2 FINISH: SILVER PLATING.
- 3 RECOMMENDED DRILL HOLE SIZE: Ø7.30mm



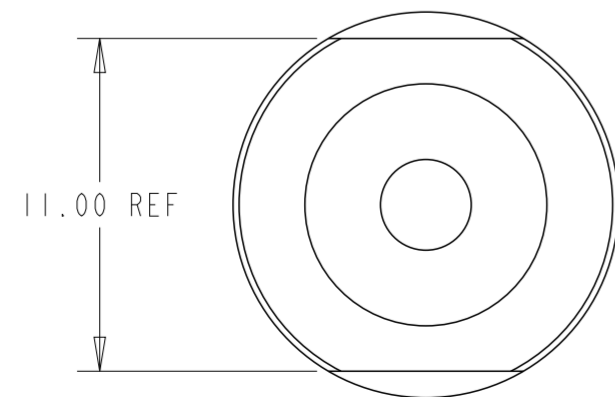
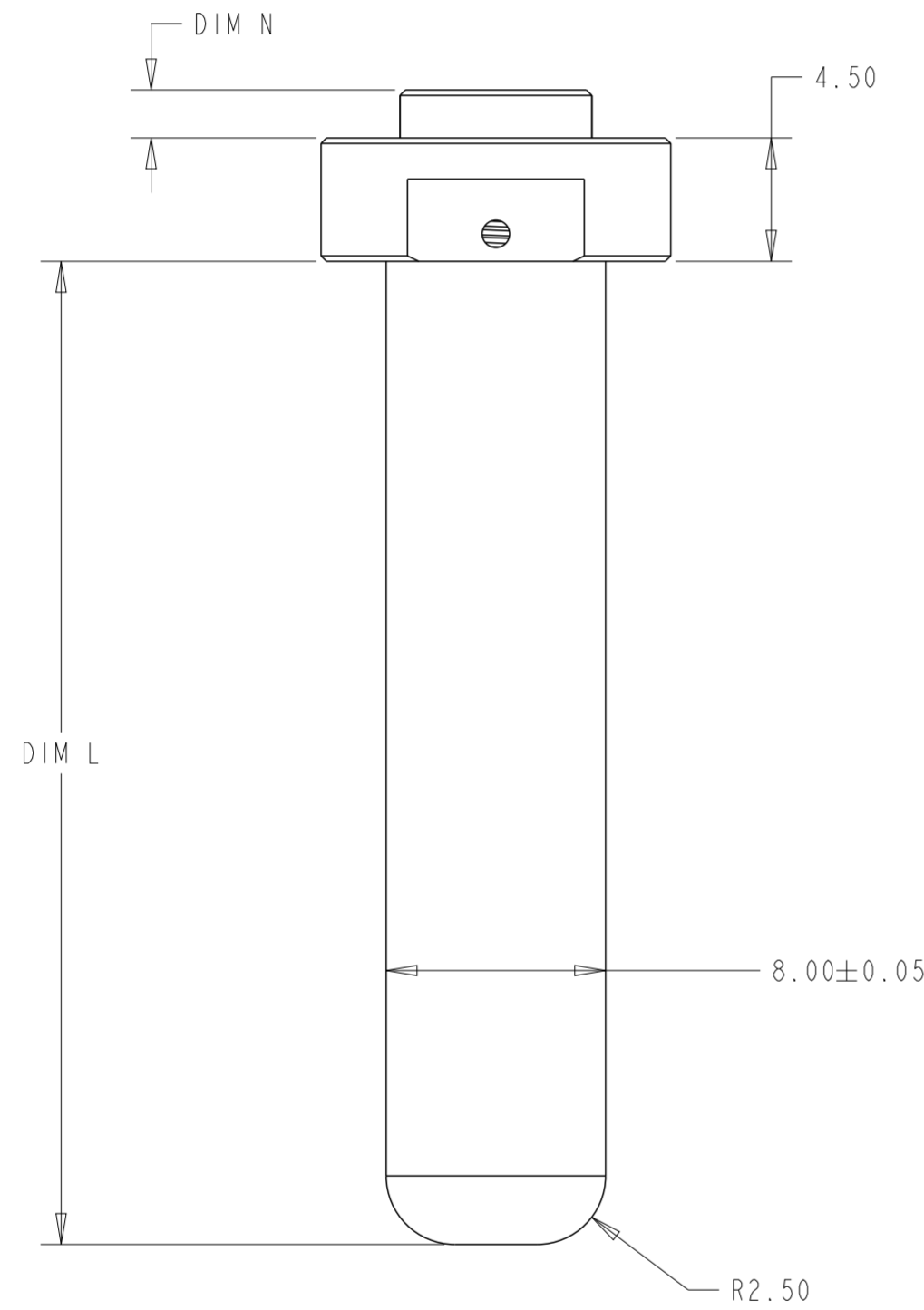
PACKED WITH SCREW AND WASHER	43.40	5-2361493-1
REMARK	DIM L	PART NUMBER

THIS DRAWING IS A CONTROLLED DOCUMENT.		DWN ANDY LI	16AUG2019	TE Connectivity	
DIMENSIONS: mm		CHK -	-		
TOLERANCES UNLESS OTHERWISE SPECIFIED:		APVD SUNY_ZHAO	16AUG2019	NAME PIN SIZE 8.0mm, PIN FLOATING IC CON INSERT	
0 PLC ±		PRODUCT SPEC 108-128111	-	APPLICATION SPEC -	
1 PLC ±0.30		114-128112	-	SIZE A2	CAGE CODE 00779
2 PLC ±0.20		WEIGHT -	-	DRAWING NO C-2361493	RESTRICTED TO -
3 PLC ±0.10		CUSTOMER DRAWING		SCALE 4:1	SHEET 2 OF 3
4 PLC ±0.0001					REV A8
ANGLES ±					
FINISH					

P	LTR	DESCRIPTION	DATE	DWN	APVD
-	-	SEE SHEET 1	-	-	-



RECOMMENDED BUS BAR LAYOUT  
RECOMMENDED THICKNESS: 1.5mm~3.8mm



NOTES:

- 1 MATERIAL: COPPER ALLOY
- 2 FINISH: SILVER PLATING.
- 3 RECOMMENDED DRILL HOLE SIZE: Ø 7.30mm

PACKED WITHOUT SCREW AND WASHERS	1.30	15.00	1-2361493-2
REMARK	DIM N	DIM L	PART NUMBER

THIS DRAWING IS A CONTROLLED DOCUMENT.		DWN ANDY LI	16AUG2019	TE Connectivity	
DIMENSIONS: mm		CHK -	-		
TOLERANCES UNLESS OTHERWISE SPECIFIED:		APVD SUNY ZHAO	16AUG2019	NAME PIN SIZE 8.0mm, PIN FLOATING ICCON INSERT	
0 PLC ±		PRODUCT SPEC 108-128111		-	
1 PLC ±0.30		APPLICATION SPEC 114-128112		SIZE A2	CAGE CODE 00779
2 PLC ±0.20		WEIGHT -		DRAWING NO C-2361493	RESTRICTED TO -
3 PLC ±0.10		CUSTOMER DRAWING		SCALE 4:1	SHEET 3 OF 3
4 PLC ±0.0001					REV A8
ANGLES ±					
FINISH					