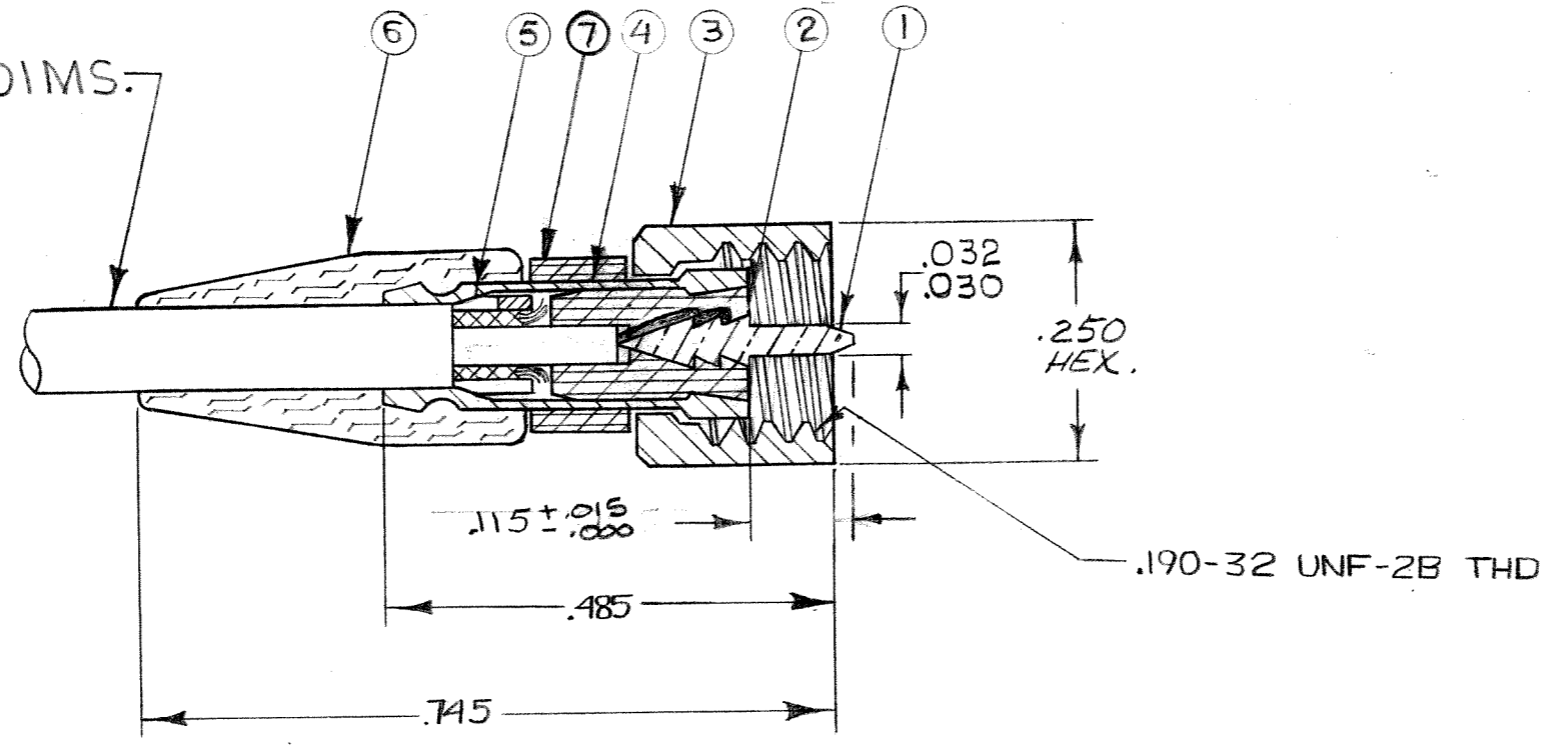


These drawings and specifications are the property of Microdot Inc., are issued in strict confidence and shall not be divulged, be reproduced or copied, or used as the basis for the manufacture or sale of any article without written permission of Microdot Inc.

CABLE ACCEPTANCE DIMS.

- JACKET DIA.088 MAX.
- SHIELD.....061 DIA MAX.
- DIELECTRIC DIA. .050 MAX.
- CENTER CONDOC. DIA. .013 MAX.



Tyco Dwg 9-1532140-4
Micro P/N 032-0097-0001

QTY.	PART NO.	NOMENCLATURE	MATERIALS & SPEC.	FIN.	ITEM
1	003-0597-0001	PIN PROTECTOR	TEFLON PER ASTM D1710		⑦
1	003-0270-0000	B.R.CAP	SILICONE RUBBER ZZ-R-765		⑥
1	003-0163-0001	RING	BRASS PER QQ-B-626	△	⑤
1	003-0160-0001	FERRULE	BRASS PER QQ-B-626	△	④
1	003-0454-0001	NUT	BRASS PER QQ-B-626	△	③
1	003-0027-0001	BUSHING	TEFLON PER ASTM D1710		②
1	003-0359-0002	PIN	COPPER ALLOY	△	①

- △ GOLD PLATE PER MIL-G-45204, TYPE II, CLASS I.
 - △ SILVER PLATE .0002-.0004 PER QQ-S-365, TYPE II GRADE A.
 - 3. MALCO ASSY. TOOL 010-0003-0000 REQ'D.
 - 2. FOR ASSY. INSTRUCTIONS SEE RF-ASMB-88
 - 1. THIS CONNECTOR MATES WITH ALL S-50 JACKS AND RECEPTACLES AS LISTED IN MALCO CATALOG.
- NOTES: UNLESS OTHERWISE SPECIFIED

ASSEMBLY	NO REQ'D	LET	ECO	REVISION DESCRIPTION	BY	DATE	APP
		H1	4139	UPDATED FORMAT	ACW	5/13/62	AW
		H	30837	ITEM 6, WAS 003-0031-0000	B	3/2/61	2/2
		G	31639	UPDATE DIM'S. ADD ITEM 7	M	7/13/61	NO
		F	19098	ERROR (REV. D) HEX NUT DIM. WAS 230 (DIA)	M	8/2/61	✓
		E	16114	REV. LETTER UP-DATED	M	3/27/61	✓
		D.	8668	REVISED & RE-DRAWN	R.P.	7/24/61	✓

STANDARD TOLERANCES UNLESS OTHERWISE SPECIFIED
 DEC. ± .010
 FRAC. ± 1/32
 ANGLES ±
 ECCENTRICITY
 MAX. T.I.R. _____
 HOLE DIA. ± _____
 SURFACE ROUGHNESS
 MICRO INCHES
 THREADS TO MIL-S-7742
 COMMERCIAL TOLERANCES APPLY TO STOCK DIMENSIONS

MALCO
A MICRODOT COMPANY, INC.
220 PASADENA AVE., SO. PASADENA, CALIF. 91030

SURFACE TREATMENT
NOTED

MATERIAL
NOTED

APP *W. J.*

CHECKED BY

DRAWN BY *M. J. M.*

SCALE *CS* WT DATE 1-5-61

CODE CDM 931

DRAWING NUMBER 032-0097-0001 H

PLUG