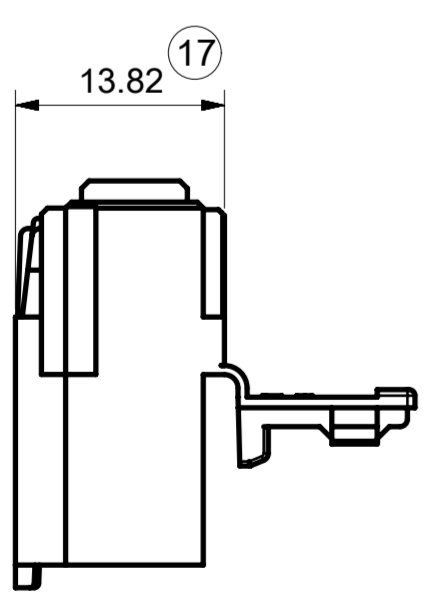
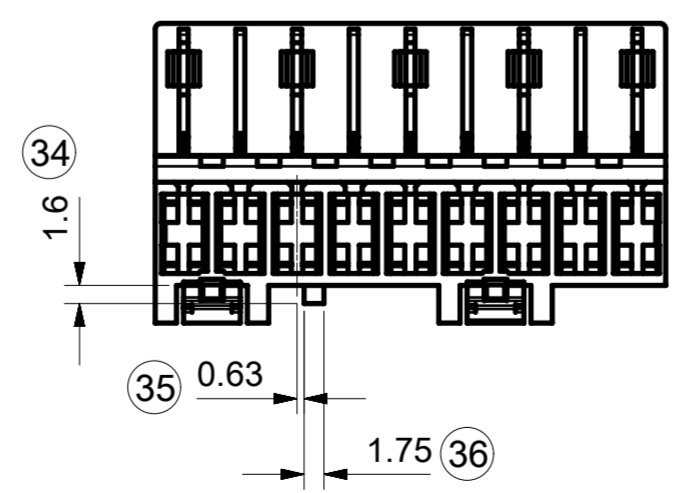


- NOTE
1. MATERIAL : 93250-**** PA 66 HWI AND GWT COMPLIANT
 2. SEE SHEET 2 FOR CODING/LATCH CONFIGURATION FOR EACH PART NUMBER
 3. SEE SHEET 2-3 FOR TAB LOCKING FEATURE QUANTITY PER CIRCUIT SIZE
 4. PRODUCT SPECIFICATION : PS-93250-001
 5. PACKAGING SPECIFICATION : PK-93250-001

INSPECTION NO. USED : 1-99
 LAST INSPECTION USED : 62
 DELETED INSPECTION NO : 5



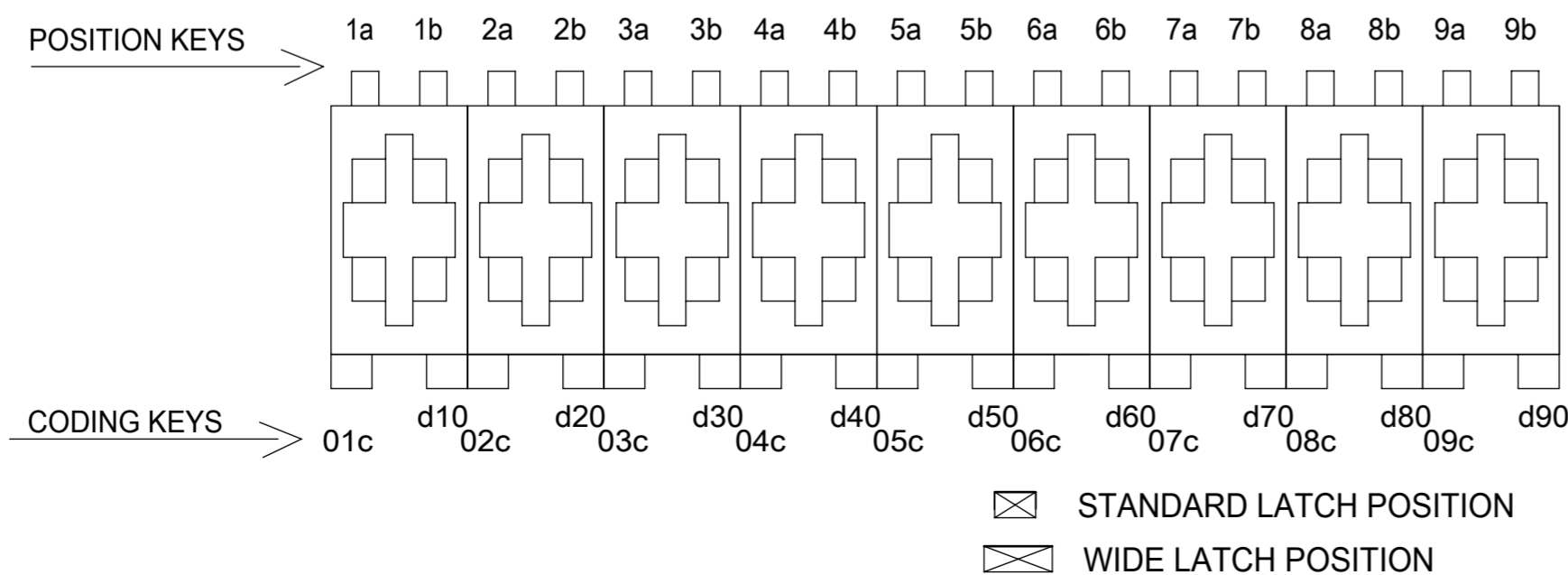
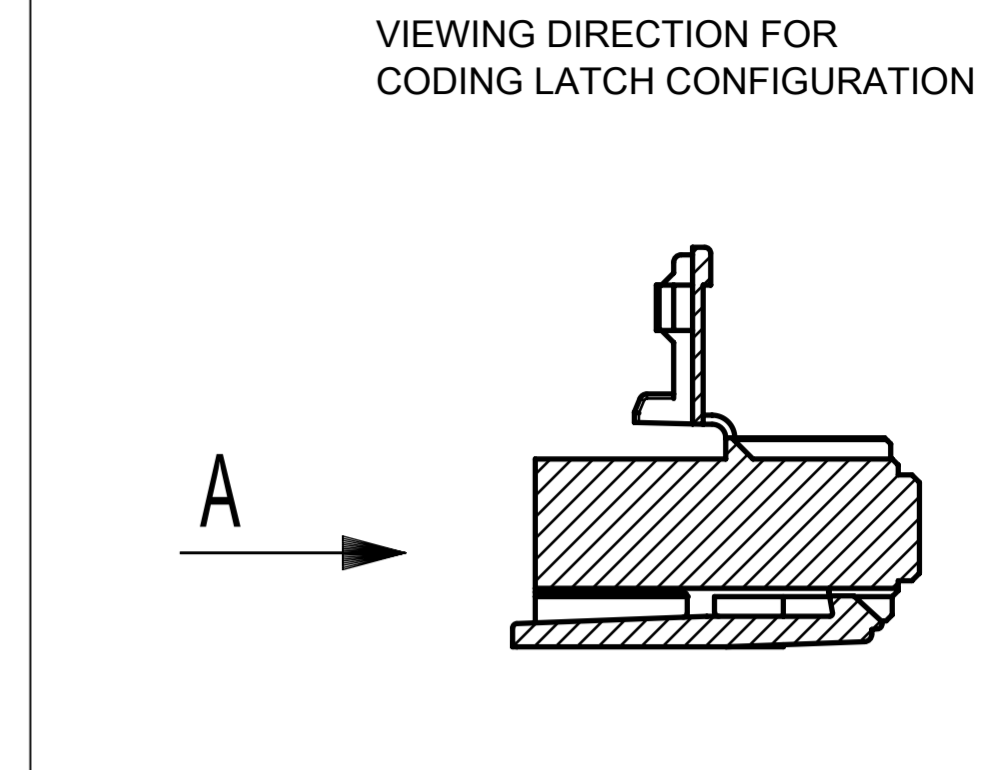
CIRCUIT SIZE	DIM A
3	14.8
4	19.8
5	24.8
6	29.8
7	34.8
8	39.8
9	44.8



DETAILS OF POSITION KEYS

SYMBOLS	THIS DRAWING CONTAINS INFORMATION THAT IS PROPRIETARY TO MOLEX ELECTRONIC TECHNOLOGIES, LLC AND SHOULD NOT BE USED WITHOUT WRITTEN PERMISSION				
	DIMENSION UNITS	SCALE			
∇ = 0	mm	2:1	EC NO: 621588		
∇ = 0	GENERAL TOLERANCES (UNLESS SPECIFIED)		DRWN: AKABADI 2019/07/23		
∇ = 0	ANGULAR TOL ± 2.0°		CHK'D: DRYAN 2019/08/11		
∇ = 0	4 PLACES ±		APPR: DRYAN 2019/08/11		
∇ = 0	3 PLACES ±		INITIAL REVISION:		
∇ = 0	2 PLACES ± 0.13		DRWN: AKABADI 2019/07/23		
∇ = 0	1 PLACE ± 0.25		APPR: DRYAN 2019/08/11		
∇ = 0	0 PLACES ±		THIRD ANGLE PROJECTION		
∇ = 0	DRAFT WHERE APPLICABLE MUST REMAIN WITHIN DIMENSIONS		DRAWING	SERIES	MATERIAL NUMBER
			A2-SIZE	93250	SEE TABLE SHT 2&3
DOCUMENT NUMBER			DOC TYPE	DOC PART	REVISION
932500001			PSD	000	A
CUSTOMER			SHEET NUMBER		
			1 OF 3		

MOLEX PART NUMBER	CIRCUIT SIZE	POSITION KEYS	CODING KEYS	LATCH TYPE	LATCH POSITION	VIEW FROM DIRECTION A	HEAT RESISTANCE	TAB LOCKING FEATURE QUANTITY
93250-3183	3	NONE	01c	STANDARD	1&2		HWI & GWT	2
93250-3283	3	NONE	d30	STANDARD	2&3		HWI & GWT	2
93250-4033	3	1b	01c 03c	STANDARD	1&2		HWI & GWT	2
93250-4003	3	3b	01c 03c	STANDARD	1&2		HWI & GWT	2
93250-4013	3	1b	01c d30	STANDARD	1&2		HWI & GWT	2
93250-4023	3	3b	01c d30	STANDARD	1&2		HWI & GWT	2
93250-4004	4	1b	03c d40	STANDARD	1&2 3&4		HWI & GWT	2
93250-4005	5	3b	d30	STANDARD	1&2 4&5		HWI & GWT	3
93250-4015	5	1a 5b	01c d30	STANDARD	1&2 2&3		HWI & GWT	3
93250-4006	6	1b	04c	STANDARD	1&2 5&6		HWI & GWT	3
93250-3077	7	ALL	ALL	STANDARD	2&3 6&7		HWI & GWT	4
93250-3087	7	NONE	04c	STANDARD	1&2 5&6		HWI & GWT	4
93250-3097	7	3a 4a	d30 d70	STANDARD	1&2 5&6		HWI & GWT	4



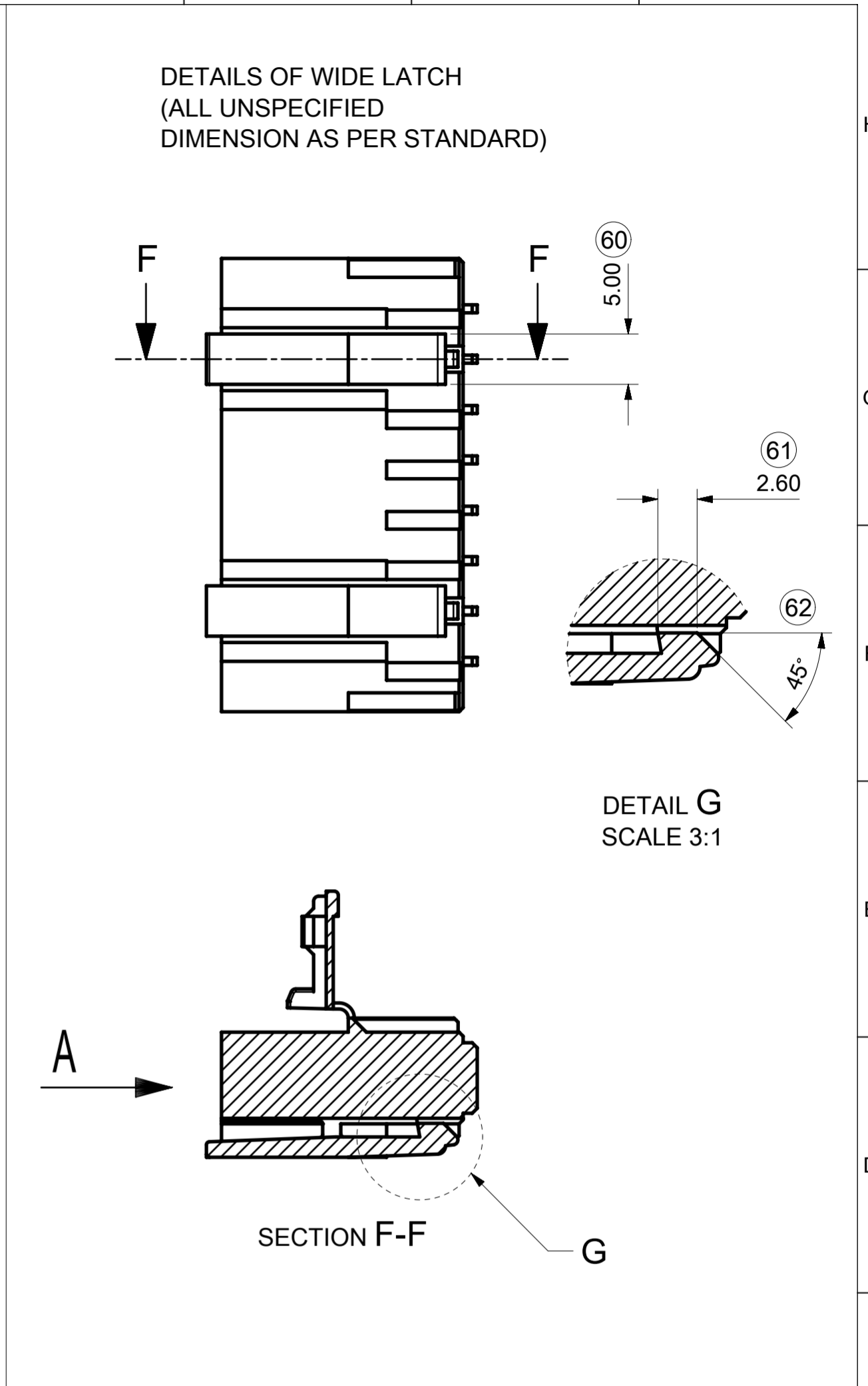
SYMBOLS	THIS DRAWING CONTAINS INFORMATION THAT IS PROPRIETARY TO MOLEX ELECTRONIC TECHNOLOGIES, LLC AND SHOULD NOT BE USED WITHOUT WRITTEN PERMISSION	
	DIMENSION UNITS	SCALE
∇ = 0	mm	2:1
∇ = 0	GENERAL TOLERANCES (UNLESS SPECIFIED)	
∇ = 0	ANGULAR TOL ± 2.0°	
∇ = 0	CURRENT REV DESC: NX RELEASE	
∇ = 0	EC NO: 621588	
∇ = 0	DRWN: AKABADI 2019/07/23	
∇ = 0	CHK'D: DRYAN 2019/08/11	
∇ = 0	APPR: DRYAN 2019/08/11	
∇ = 0	INITIAL REVISION:	
∇ = 0	DRWN: AKABADI 2019/07/23	
∇ = 0	APPR: DRYAN 2019/08/11	
∇ = 0	DRAFT WHERE APPLICABLE MUST REMAIN WITHIN DIMENSIONS	
∇ = 0	THIRD ANGLE PROJECTION	DRAWING
∇ = 0		A2-SIZE
SERIES		93250
DOCUMENT NUMBER		932500001
DOC TYPE		PSD
DOC PART		000
REVISION		A
MATERIAL NUMBER		SEE TABLE SHT 2&3
CUSTOMER		
SHEET NUMBER		2 OF 3

molex

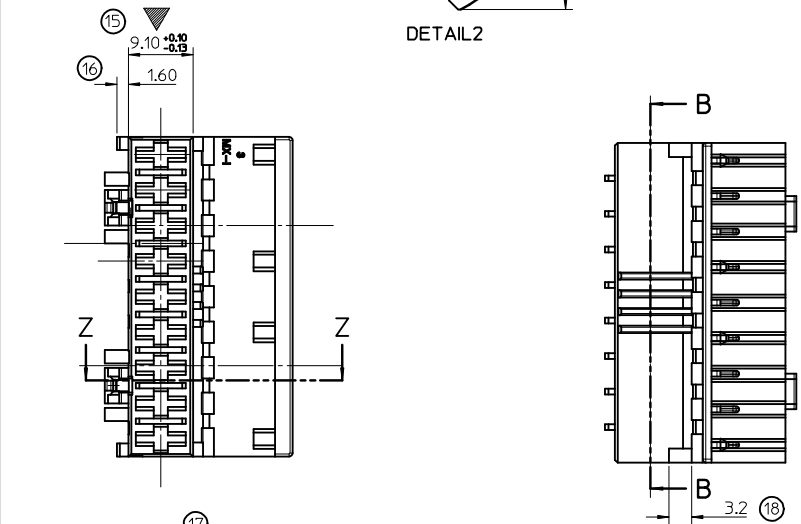
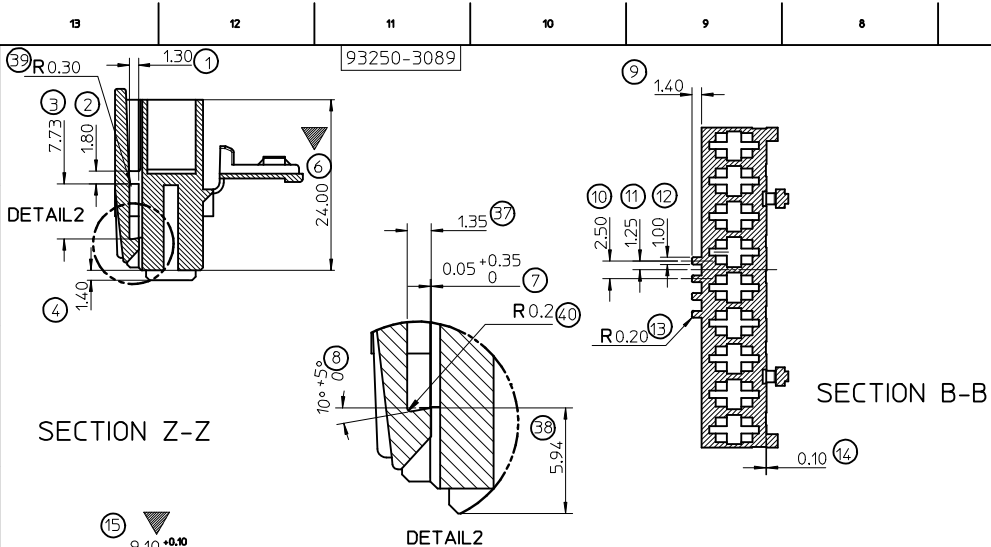
RAST 5 CRIMP HOUSING HWI

PRODUCT CUSTOMER DRAWING

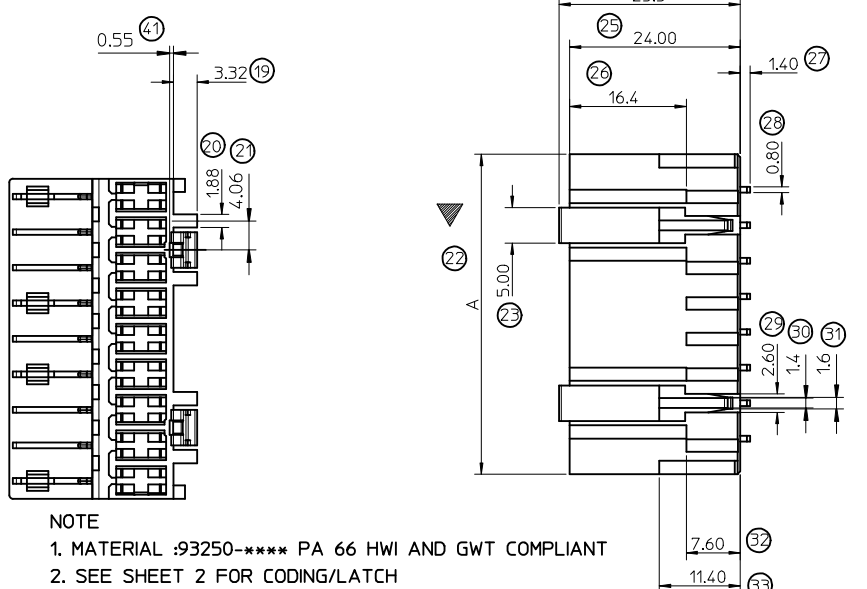
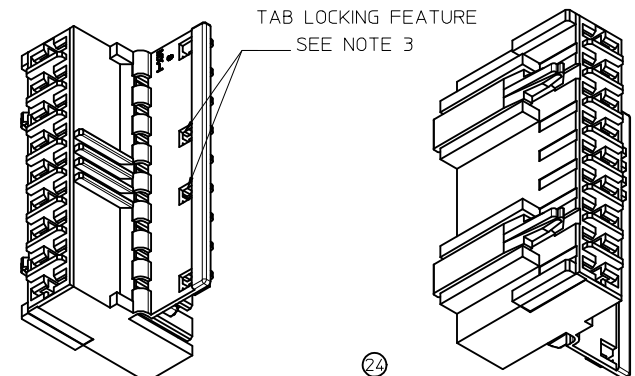
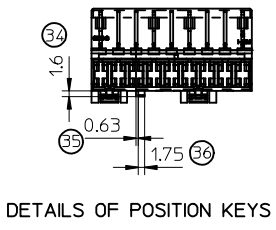
MOLEX PART NUMBER	CIRCUIT SIZE	POSITION KEYS	CODING KEYS	LATCH TYPE	LATCH POSITION	VIEW FROM DIRECTION A	HEAT RESISTANCE	TAB LOCKING FEATURE QUANTITY
93250-4008	8	NONE	d20 03c d60 07c	STANDARD	1&2 7&8		HWI & GWT	4
93250-3089	9	4b 5a 5b 6a	01c d90	STANDARD	2&3 7&8		HWI & GWT	5
93250-3289	9	5b	d30	STANDARD	1&2 6&7		HWI & GWT	5
93250-3069	9	4b 5a 5b 6a	01c d90	WIDE	2&3 7&8		HWI & GWT	5
93250-3269	9	5b	d30	WIDE	1&2 6&7		HWI & GWT	5
93250-3270	9	4b 5a 5b 6a	01c d90	WIDE	2&3 5 7&8		HWI & GWT	5
93250-3271	9	NONE	d30	WIDE	1&2 5 8&9		HWI & GWT	5



SYMBOLS	THIS DRAWING CONTAINS INFORMATION THAT IS PROPRIETARY TO MOLEX ELECTRONIC TECHNOLOGIES, LLC AND SHOULD NOT BE USED WITHOUT WRITTEN PERMISSION		
	DIMENSION UNITS	SCALE	CURRENT REV DESC: NX RELEASE
= 0	mm	2:1	EC NO: 621588 DRWN: AKABADI 2019/07/23 CHK'D: DRYAN 2019/08/11 APPR: DRYAN 2019/08/11
= 0	GENERAL TOLERANCES (UNLESS SPECIFIED)		
= 0	ANGULAR TOL ± 2.0°		INITIAL REVISION: DRWN: AKABADI 2019/07/23 APPR: DRYAN 2019/08/11
= 0	4 PLACES ±		
= 0	3 PLACES ±		DOCUMENT NUMBER 932500001
= 0	2 PLACES ± 0.13		
= 0	1 PLACE ± 0.25		DOC TYPE PSD
= 0	0 PLACES ±		DOC PART 000
= 0	DRAFT WHERE APPLICABLE MUST REMAIN WITHIN DIMENSIONS	THIRD ANGLE PROJECTION	REVISION A
= 0	DRAWING A2-SIZE		MATERIAL NUMBER SEE TABLE SHT 2&3
	SERIES 93250		CUSTOMER 3 OF 3



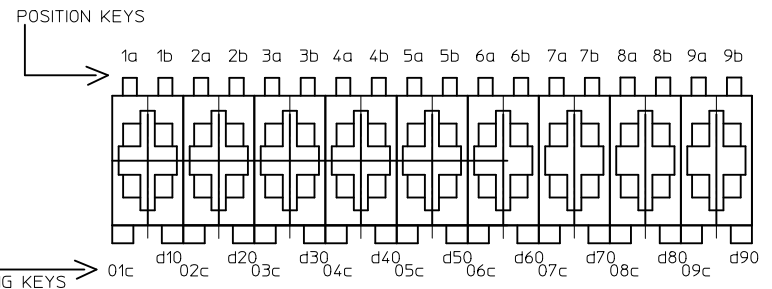
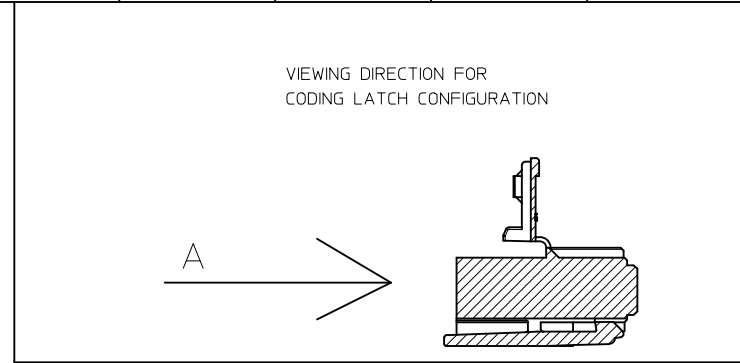
CIRCUIT SIZE	DIM A
3	14.8
4	19.8
5	24.8
6	29.8
7	34.8
8	39.8
9	44.8



- NOTE**
1. MATERIAL :93250-**** PA 66 HWI AND GWT COMPLIANT
 2. SEE SHEET 2 FOR CODING/LATCH CONFIGURATION FOR EACH PART NUMBER
 3. SEE SHEET 2-3 FOR TAB LOCKING FEATURE QUANTITY PER CIRCUIT SIZE
 4. PRODUCT SPECIFICATION : PS-93250-001
 5. PACKAGING SPECIFICATION : PK-93250-001

ADDED & CKT TABLE EC NO: IFC2015-0648 DRWN:BCAFFREY 2014/10/07 CHKD:BRUTLE 2014/10/10 APPR:MSHAMHAN 2014/10/31	QUALITY SYMBOLS $\nabla=0$ $\nabla=3$	GENERAL TOLERANCES (UNLESS SPECIFIED)		DIMENSION STYLE MM ONLY	SCALE 1:1	DESIGN UNITS METRIC	THIRD ANGLE PROJECTION
		mm INCH	DRAWN BY BMAGUIRE	DATE 2010/06/25	TITLE RAST 5 CRIMP HOUSING HWI		
REV K	DESCRIPTION DRAFT WHERE APPLICABLE MUST REMAIN WITHIN DIMENSIONS	4 PLACES ± --- ± ---	3 PLACES ± --- ± ---	CHECKED BY DATE	APPROVED BY BMAGUIRE	DATE 2010/10/22	DOCUMENT NO. SD-93250-001
		2 PLACES ± 0.13 ± ---	1 PLACE ± 0.25 ± ---	MATERIAL NO.	SHEET NO. 1 OF 3		

MOLEX PART NUMBER	CIRCUIT SIZE	POSITION KEYS	CODING KEYS	LATCH TYPE	LATCH POSITION	VIEW FROM DIRECTION A	HEAT RESISTANCE	TAB LOCKING FEATURE QUANTITY
93250-3183	3	NONE	01C	STANDARD	1&2		HWI & GWT	2
93250-3283	3	NONE	03d	STANDARD	2&3		HWI & GWT	2
93250-4033	3	1b	01c 03c	STANDARD	1&2		HWI & GWT	2
93250-4003	3	3b	01c 03c	STANDARD	1&2		HWI & GWT	2
93250-4013	3	1b	01c d30	STANDARD	1&2		HWI & GWT	2
93250-4023	3	3b	01c d30	STANDARD	1&2		HWI & GWT	2
93250-4004	4	1b	03c d40	STANDARD	1&2 3&4		HWI & GWT	2
93250-4005	5	3b	d30	STANDARD	1&2 4&5		HWI & GWT	3
93250-4015	5	1A 5B	01c d30	STANDARD	1&2 2&3		HWI & GWT	3
93250-4006	6	1b	04C	STANDARD	1&2 5&6		HWI & GWT	3
93250-3077	7	ALL	ALL	STANDARD	2&3 6&7		HWI & GWT	4
93250-3087	7	NONE	04C	STANDARD	1&2 5&6		HWI & GWT	4
93250-3097	7	3a 4a	d30 d70	STANDARD	1&2 5&6		HWI & GWT	4



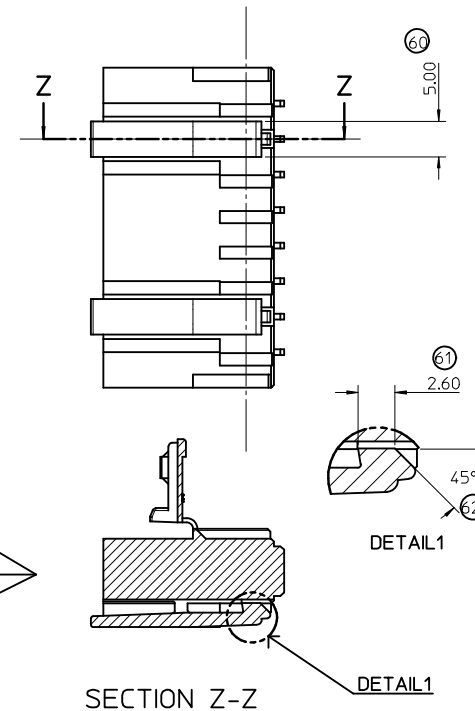
STANDARD LATCH POSITION
 WIDE LATCH POSITION

SEE SHEET 1 EC NO: IPG2015-0648 DRW:BCAFFREY 2014/10/07 CHKD:BRUTLE APPR:MSHAMMAN	QUALITY SYMBOLS	GENERAL TOLERANCES (UNLESS SPECIFIED)	DIMENSION STYLE	SCALE	DESIGN UNITS	THIRD ANGLE PROJECTION																																	
	$\nabla=0$ $\nabla=0$ $\nabla=0$	<table border="1"> <tr> <th></th> <th>mm</th> <th>INCH</th> </tr> <tr> <td>4 PLACES</td> <td>± ---</td> <td>± ---</td> </tr> <tr> <td>3 PLACES</td> <td>± ---</td> <td>± ---</td> </tr> <tr> <td>2 PLACES</td> <td>± 0.13</td> <td>± ---</td> </tr> <tr> <td>1 PLACE</td> <td>± 0.25</td> <td>± ---</td> </tr> <tr> <td colspan="3">ANGULAR ± 2 °</td> </tr> </table>		mm	INCH	4 PLACES	± ---	± ---	3 PLACES	± ---	± ---	2 PLACES	± 0.13	± ---	1 PLACE	± 0.25	± ---	ANGULAR ± 2 °			<table border="1"> <tr> <th>mm ONLY</th> <th>DATE</th> <th>TITLE</th> </tr> <tr> <td>DRAWN BY</td> <td>2010/06/25</td> <td>RAST 5 CRIMP HOUSING HWI</td> </tr> <tr> <td>CHECKED BY</td> <td>DATE</td> <td></td> </tr> <tr> <td>APPROVED BY</td> <td>DATE</td> <td></td> </tr> <tr> <td>BMAGUIRE</td> <td>2010/10/22</td> <td></td> </tr> </table>	mm ONLY	DATE	TITLE	DRAWN BY	2010/06/25	RAST 5 CRIMP HOUSING HWI	CHECKED BY	DATE		APPROVED BY	DATE		BMAGUIRE	2010/10/22		2:1	METRIC	
		mm	INCH																																				
	4 PLACES	± ---	± ---																																				
3 PLACES	± ---	± ---																																					
2 PLACES	± 0.13	± ---																																					
1 PLACE	± 0.25	± ---																																					
ANGULAR ± 2 °																																							
mm ONLY	DATE	TITLE																																					
DRAWN BY	2010/06/25	RAST 5 CRIMP HOUSING HWI																																					
CHECKED BY	DATE																																						
APPROVED BY	DATE																																						
BMAGUIRE	2010/10/22																																						
DRAFT WHERE APPLICABLE MUST REMAIN WITHIN DIMENSIONS	MATERIAL NO. SEE TABLE	APPROVED BY BMAGUIRE	DATE 2010/10/22	DOCUMENT NO. SD-93250-001	SHEET NO. 2 OF 3	MOLEX INCORPORATED																																	
	SIZE A 2	THIS DRAWING CONTAINS INFORMATION THAT IS PROPRIETARY TO MOLEX INCORPORATED AND SHOULD NOT BE USED WITHOUT WRITTEN PERMISSION																																					

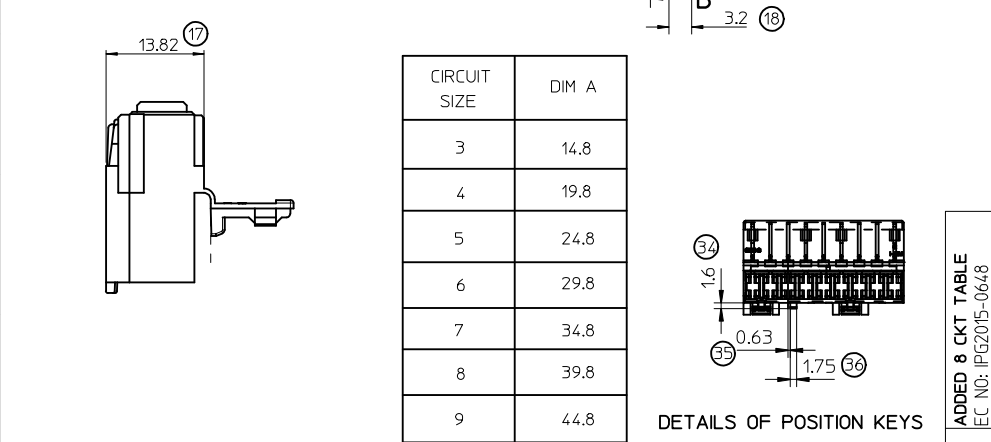
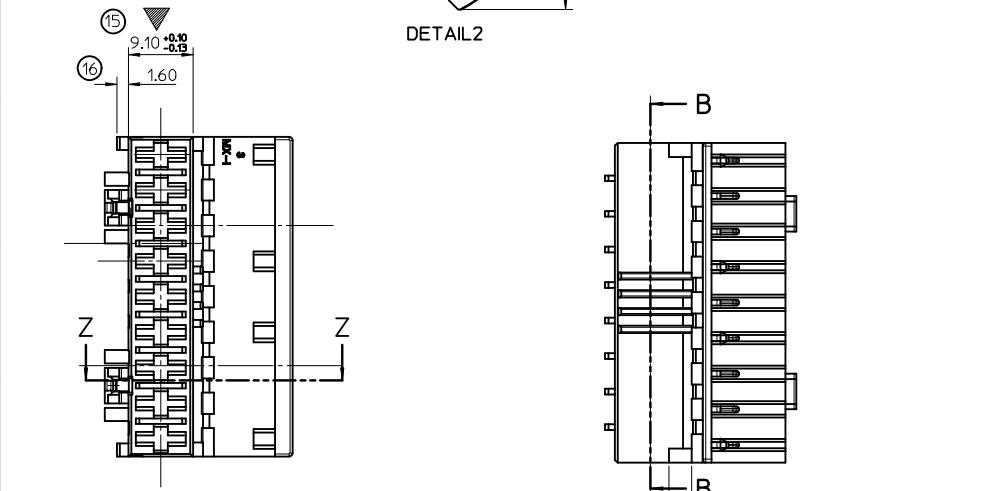
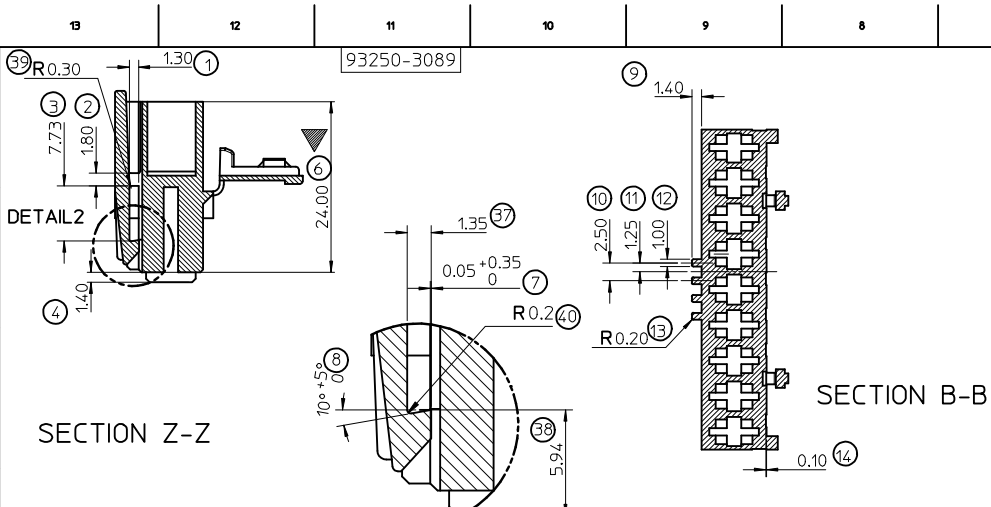
MOLEX PART NUMBER	CIRCUIT SIZE	POSITION KEYS	CODING KEYS	LATCH TYPE	LATCH POSITION	VIEW FROM DIRECTION A	HEAT RESISTANCE	TAB LOCKING FEATURE QUANTITY
93250-4008	8	NONE	d20 03c d60 07c	STANDARD	1&2 7&8		HWI & GWT	4

MOLEX PART NUMBER	CIRCUIT SIZE	POSITION KEYS	CODING KEYS	LATCH TYPE	LATCH POSITION	VIEW FROM DIRECTION A	HEAT RESISTANCE	TAB LOCKING FEATURE QUANTITY
93250-3089	9	4b 5a 5b 6a	01c 09d	STANDARD	2&3 7&8		HWI & GWT	5
93250-3289	9	5b	3d	STANDARD	1&2 6&7		HWI & GWT	5
93250-3069	9	4b 5a 5b 6a	01c 09d	WIDE	2&3 7&8		HWI & GWT	5
93250-3269	9	5b	3d	WIDE	1&2 6&7		HWI & GWT	5
93250-3270	9	4b 5a 5b 6a	01c 09d	WIDE	2&3 5 7&8		HWI & GWT	5
93250-3271	9	NONE	3d	WIDE	1&2 5 8&9		HWI & GWT	5

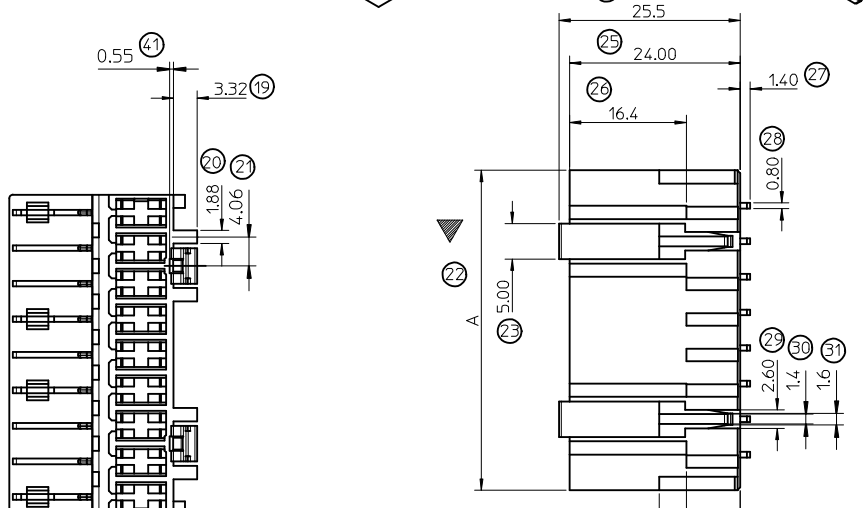
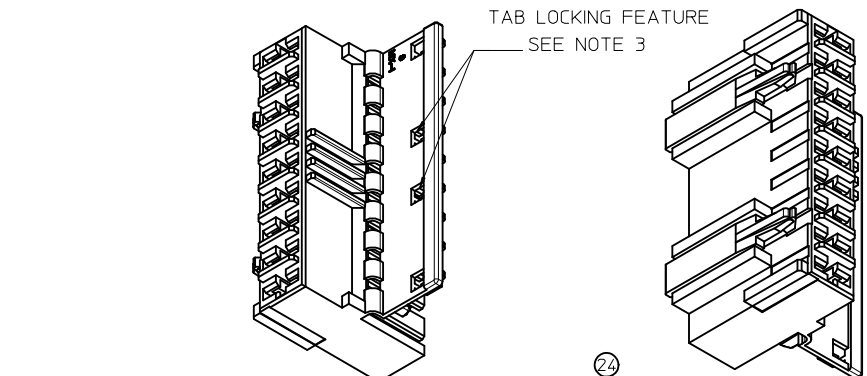
DETAILS OF WIDE LATCH
(ALL UNSPECIFIED
DIMENSION AS PER STANDARD)



SEE SHEET 1 EC NO: IFC2015-0648 DRWN:BCAFFREY 2014/10/07 CHKD:BRUTLE 2014/10/10 APPR:MSHANAHAN 2014/10/31	QUALITY SYMBOLS ∇=0 ∇=0 ∇=0	GENERAL TOLERANCES (UNLESS SPECIFIED) mm INCH		DIMENSION STYLE MM ONLY	SCALE 1:1	DESIGN UNITS METRIC	THIRD ANGLE PROJECTION
		4 PLACES ± --- ± --- 3 PLACES ± --- ± --- 2 PLACES ± 0.13 ± --- 1 PLACE ± 0.25 ± --- ANGULAR ± 2 °	DRAWN BY BMAGUIRE	DATE 2010/06/25	TITLE RAST 5 CRIMP HOUSING HWI	APPROVED BY BMAGUIRE	DATE 2010/10/22
DRAFT WHERE APPLICABLE MUST REMAIN WITHIN DIMENSIONS	SIZE A2	THIS DRAWING CONTAINS INFORMATION THAT IS PROPRIETARY TO MOLEX INCORPORATED AND SHOULD NOT BE USED WITHOUT WRITTEN PERMISSION					



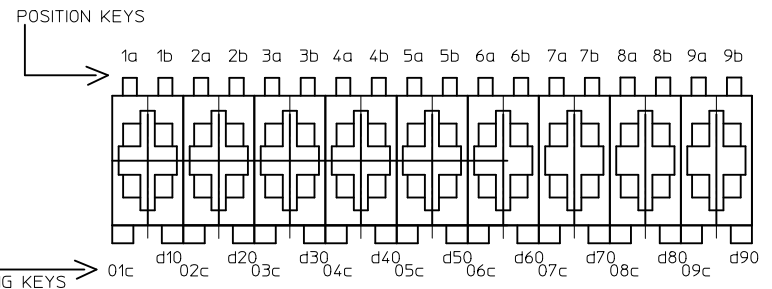
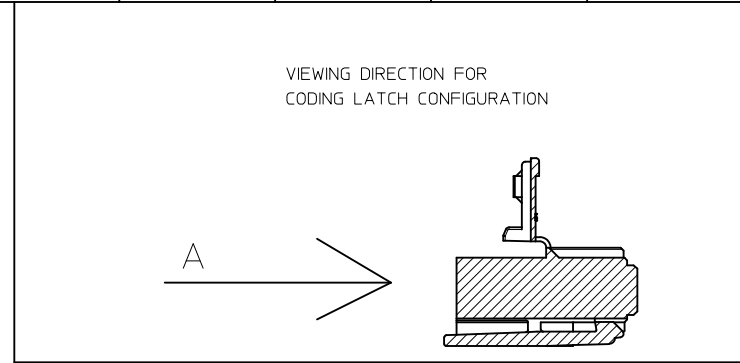
CIRCUIT SIZE	DIM A
3	14.8
4	19.8
5	24.8
6	29.8
7	34.8
8	39.8
9	44.8



- NOTE**
1. MATERIAL :93250-**** PA 66 HWI AND GWT COMPLIANT
 2. SEE SHEET 2 FOR CODING/LATCH CONFIGURATION FOR EACH PART NUMBER
 3. SEE SHEET 2-3 FOR TAB LOCKING FEATURE QUANTITY PER CIRCUIT SIZE
 4. PRODUCT SPECIFICATION : PS-93250-001
 5. PACKAGING SPECIFICATION : PK-93250-001

ADDED & CKT TABLE EC NO: IFC2015-0648 DRWN:BCAFFREY 2014/10/07 CHKD:BRUTLE 2014/10/10 APPR:MSHAMHAN 2014/10/31	QUALITY SYMBOLS $\nabla=0$ $\nabla=3$	GENERAL TOLERANCES (UNLESS SPECIFIED) <table border="1"> <thead> <tr> <th></th> <th>mm</th> <th>INCH</th> </tr> </thead> <tbody> <tr> <td>4 PLACES</td> <td>± ---</td> <td>± ---</td> </tr> <tr> <td>3 PLACES</td> <td>± ---</td> <td>± ---</td> </tr> <tr> <td>2 PLACES</td> <td>± 0.13</td> <td>± ---</td> </tr> <tr> <td>1 PLACE</td> <td>± 0.25</td> <td>± ---</td> </tr> </tbody> </table> ANGULAR ± 2 °		mm	INCH	4 PLACES	± ---	± ---	3 PLACES	± ---	± ---	2 PLACES	± 0.13	± ---	1 PLACE	± 0.25	± ---	DIMENSION STYLE MM ONLY	SCALE 1:1	DESIGN UNITS METRIC	THIRD ANGLE PROJECTION
		mm	INCH																		
4 PLACES	± ---	± ---																			
3 PLACES	± ---	± ---																			
2 PLACES	± 0.13	± ---																			
1 PLACE	± 0.25	± ---																			
DRAWN BY BMAGUIRE	DATE 2010/06/25	CHECKED BY DATE	APPROVED BY BMAGUIRE	DATE 2010/10/22	TITLE RAST 5 CRIMP HOUSING HWI	MOLEX INCORPORATED															
DRAFT WHERE APPLICABLE MUST REMAIN WITHIN DIMENSIONS			MATERIAL NO. SEE TABLE	DOCUMENT NO. SD-93250-001	SHEET NO. 1 OF 3	THIS DRAWING CONTAINS INFORMATION THAT IS PROPRIETARY TO MOLEX INCORPORATED AND SHOULD NOT BE USED WITHOUT WRITTEN PERMISSION															

MOLEX PART NUMBER	CIRCUIT SIZE	POSITION KEYS	CODING KEYS	LATCH TYPE	LATCH POSITION	VIEW FROM DIRECTION A	HEAT RESISTANCE	TAB LOCKING FEATURE QUANTITY
93250-3183	3	NONE	01C	STANDARD	1&2		HWI & GWT	2
93250-3283	3	NONE	03d	STANDARD	2&3		HWI & GWT	2
93250-4033	3	1b	01c 03c	STANDARD	1&2		HWI & GWT	2
93250-4003	3	3b	01c 03c	STANDARD	1&2		HWI & GWT	2
93250-4013	3	1b	01c d30	STANDARD	1&2		HWI & GWT	2
93250-4023	3	3b	01c d30	STANDARD	1&2		HWI & GWT	2
93250-4004	4	1b	03c d40	STANDARD	1&2 3&4		HWI & GWT	2
93250-4005	5	3b	d30	STANDARD	1&2 4&5		HWI & GWT	3
93250-4015	5	1A 5B	01c d30	STANDARD	1&2 2&3		HWI & GWT	3
93250-4006	6	1b	04C	STANDARD	1&2 5&6		HWI & GWT	3
93250-3077	7	ALL	ALL	STANDARD	2&3 6&7		HWI & GWT	4
93250-3087	7	NONE	04C	STANDARD	1&2 5&6		HWI & GWT	4
93250-3097	7	3a 4a	d30 d70	STANDARD	1&2 5&6		HWI & GWT	4



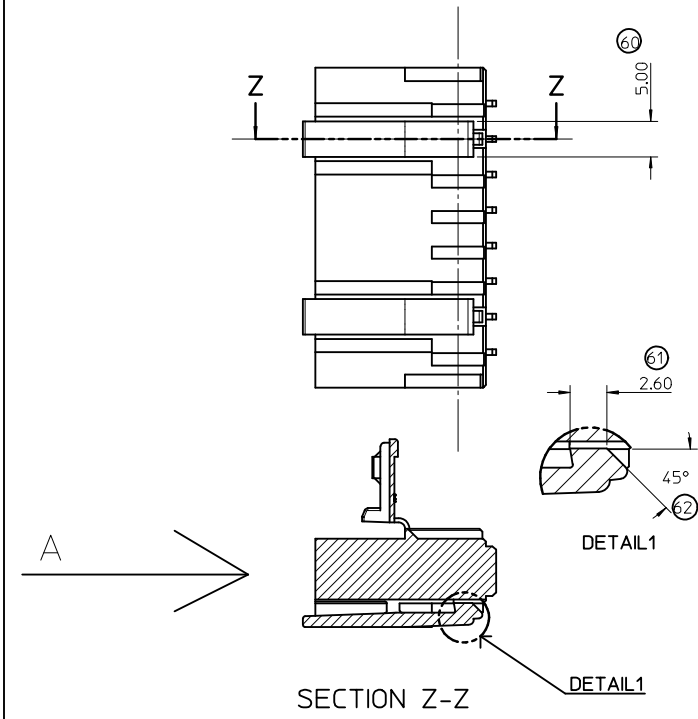
STANDARD LATCH POSITION
 WIDE LATCH POSITION

SEE SHEET 1 EC NO: IPG2015-0648 DRW:BCAFFREY 2014/10/07 CHKD:BRUTLE APPR:MSHAMMAN	QUALITY SYMBOLS	GENERAL TOLERANCES (UNLESS SPECIFIED)	DIMENSION STYLE MM ONLY	SCALE 2:1	DESIGN UNITS METRIC	THIRD ANGLE PROJECTION																											
	$\nabla=0$ $\nabla=0$ $\nabla=0$	<table border="1"> <tr> <th></th> <th>mm</th> <th>INCH</th> </tr> <tr> <td>4 PLACES</td> <td>± ---</td> <td>± ---</td> </tr> <tr> <td>3 PLACES</td> <td>± ---</td> <td>± ---</td> </tr> <tr> <td>2 PLACES</td> <td>± 0.13</td> <td>± ---</td> </tr> <tr> <td>1 PLACE</td> <td>± 0.25</td> <td>± ---</td> </tr> </table>		mm	INCH	4 PLACES	± ---	± ---	3 PLACES	± ---	± ---	2 PLACES	± 0.13	± ---	1 PLACE	± 0.25	± ---	<table border="1"> <tr> <td>APPROVED BY</td> <td>DATE</td> </tr> <tr> <td>BMAGUIRE</td> <td>2010/06/25</td> </tr> <tr> <td>CHECKED BY</td> <td>DATE</td> </tr> <tr> <td></td> <td></td> </tr> <tr> <td>APPROVED BY</td> <td>DATE</td> </tr> <tr> <td>BMAGUIRE</td> <td>2010/10/22</td> </tr> </table>	APPROVED BY	DATE	BMAGUIRE	2010/06/25	CHECKED BY	DATE			APPROVED BY	DATE	BMAGUIRE	2010/10/22	RAST 5 CRIMP HOUSING HWI		
		mm	INCH																														
	4 PLACES	± ---	± ---																														
3 PLACES	± ---	± ---																															
2 PLACES	± 0.13	± ---																															
1 PLACE	± 0.25	± ---																															
APPROVED BY	DATE																																
BMAGUIRE	2010/06/25																																
CHECKED BY	DATE																																
APPROVED BY	DATE																																
BMAGUIRE	2010/10/22																																
DRAFT WHERE APPLICABLE MUST REMAIN WITHIN DIMENSIONS	MATERIAL NO. SEE TABLE	MOLEX INCORPORATED DOCUMENT NO. SD-93250-001	SHEET NO. 2 OF 3																														
THIS DRAWING CONTAINS INFORMATION THAT IS PROPRIETARY TO MOLEX INCORPORATED AND SHOULD NOT BE USED WITHOUT WRITTEN PERMISSION																																	

MOLEX PART NUMBER	CIRCUIT SIZE	POSITION KEYS	CODING KEYS	LATCH TYPE	LATCH POSITION	VIEW FROM DIRECTION A	HEAT RESISTANCE	TAB LOCKING FEATURE QUANTITY
93250-4008	8	NONE	d20 03c d60 07c	STANDARD	1&2 7&8		HWI & GWT	4

MOLEX PART NUMBER	CIRCUIT SIZE	POSITION KEYS	CODING KEYS	LATCH TYPE	LATCH POSITION	VIEW FROM DIRECTION A	HEAT RESISTANCE	TAB LOCKING FEATURE QUANTITY
93250-3089	9	4b 5a 5b 6a	01c 09d	STANDARD	2&3 7&8		HWI & GWT	5
93250-3289	9	5b	3d	STANDARD	1&2 6&7		HWI & GWT	5
93250-3069	9	4b 5a 5b 6a	01c 09d	WIDE	2&3 7&8		HWI & GWT	5
93250-3269	9	5b	3d	WIDE	1&2 6&7		HWI & GWT	5
93250-3270	9	4b 5a 5b 6a	01c 09d	WIDE	2&3 5 7&8		HWI & GWT	5
93250-3271	9	NONE	3d	WIDE	1&2 5 8&9		HWI & GWT	5

DETAILS OF WIDE LATCH
(ALL UNSPECIFIED
DIMENSION AS PER STANDARD)



SEE SHEET 1 EC NO: IFC2015-0648 DRWN:BCAFFREY 2014/10/07 CHKD:BRUTLE 2014/10/10 APPR:MSHAMHAN 2014/10/31	QUALITY SYMBOLS 	GENERAL TOLERANCES (UNLESS SPECIFIED)		DIMENSION STYLE MM ONLY	SCALE 1:1	DESIGN UNITS METRIC	THIRD ANGLE PROJECTION
		4 PLACES ± --- ± --- 3 PLACES ± --- ± --- 2 PLACES ± 0.13 ± --- 1 PLACE ± 0.25 ± --- ANGULAR ± 2 °	DRAWN BY BMAGUIRE	DATE 2010/06/25	TITLE RAST 5 CRIMP HOUSING HWI	APPROVED BY BMAGUIRE	DATE 2010/10/22
REV K	DESCRIPTION DRAFT WHERE APPLICABLE MUST REMAIN WITHIN DIMENSIONS	MATERIAL NO. SEE TABLE	DOCUMENT NO. SD-93250-001	THIS DRAWING CONTAINS INFORMATION THAT IS PROPRIETARY TO MOLEX INCORPORATED AND SHOULD NOT BE USED WITHOUT WRITTEN PERMISSION			