

THIS DRAWING IS UNPUBLISHED.

RELEASED FOR PUBLICATION

ALL RIGHTS RESERVED.

© COPYRIGHT - TE Connectivity Ltd.

REVISIONS

P	LTR	DESCRIPTION	DATE	DWN	APVD
	C1	REV PER ECO 19-005939	5-29-19	CT	MS

NOTES:

1. MATERIAL:

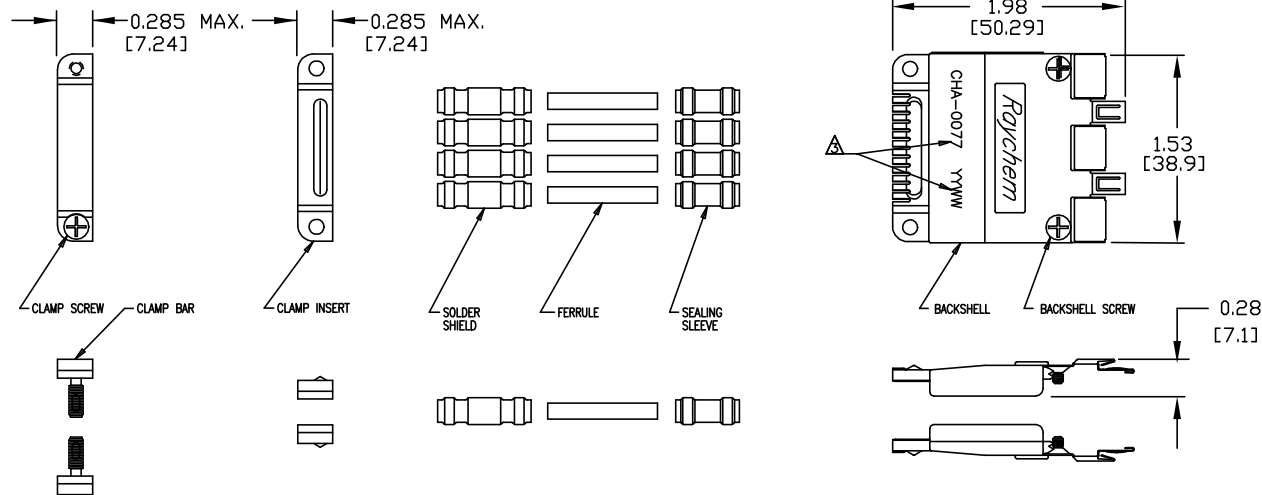
- a. BACKSHELL COPPER ALLOY 172 PER QQ-A-533
- b. BACKSHELL SCREW STAINLESS STEEL PER QQ-S-763, 300 SERIES
- c. CLAMP BAR ALUMINUM ALLOY
- d. CLAMP INSERT ALUMINUM ALLOY
- e. CLAMP SCREW STAINLESS STEEL PER QQ-S-763, 300 SERIES
- f. FERRULE COPPER ALLOY 187 ASTM B301/B301M
- g. SOLDER SHIELD SEE RAYCHEM DRAWING NUMBER CTA-1035
- h. SEALING SLEEVE SEE RAYCHEM DRAWING NUMBER CTA-1036

2. FINISH:

- a. BACKSHELL CADMIUM PLATE PER QQ-P-416
- b. BACKSHELL SCREW CADMIUM PLATE PER QQ-P-416
- c. CLAMP BAR CADMIUM PLATE PER QQ-P-416
- d. CLAMP INSERT CADMIUM PLATE PER QQ-P-416
- e. CLAMP SCREW CADMIUM PLATE PER QQ-P-416
- f. FERRULE TIN PLATED PER ASTM B545

3. "RAYCHEM", PART NUMBER CHA-0077 AND DATE CODE STAMPED APPROXIMATELY AS SHOWN.

- 4. PARTS ARE TO BE PACKAGED UN-ASSEMBLED AS SHOWN.
- 5. THIS ASSEMBLY DESIGN TO USED WITH CHA-0258.
- 6. WEIGHT: 0.050 lbs MAX [22.5 Gram MAX]



THIS DRAWING IS A CONTROLLED DOCUMENT.		DWN C.C.THOMAS 29MAY2019	TE Connectivity	
		CHK M.A.SOLIS 5-29-19		
DIMENSIONS: INCHES		APVD M.A.SOLIS 5-29-19	NAME BACKSHELL ASSY, PLUG, 1 INCH, CAD PLATED, DATA-BUS, MTCR SERIES	
		PRODUCT SPEC -	APPLICATION SPEC -	
TOLERANCES UNLESS OTHERWISE SPECIFIED:		WEIGHT 0	SIZE A3	CAGE CODE 06090
MATERIAL -		FINISH -	DRAWING NO G=CHA-0077	RESTRICTED TO -
CUSTOMER DRAWING			SCALE NTS	SHEET 1 of 1
			REV C1	