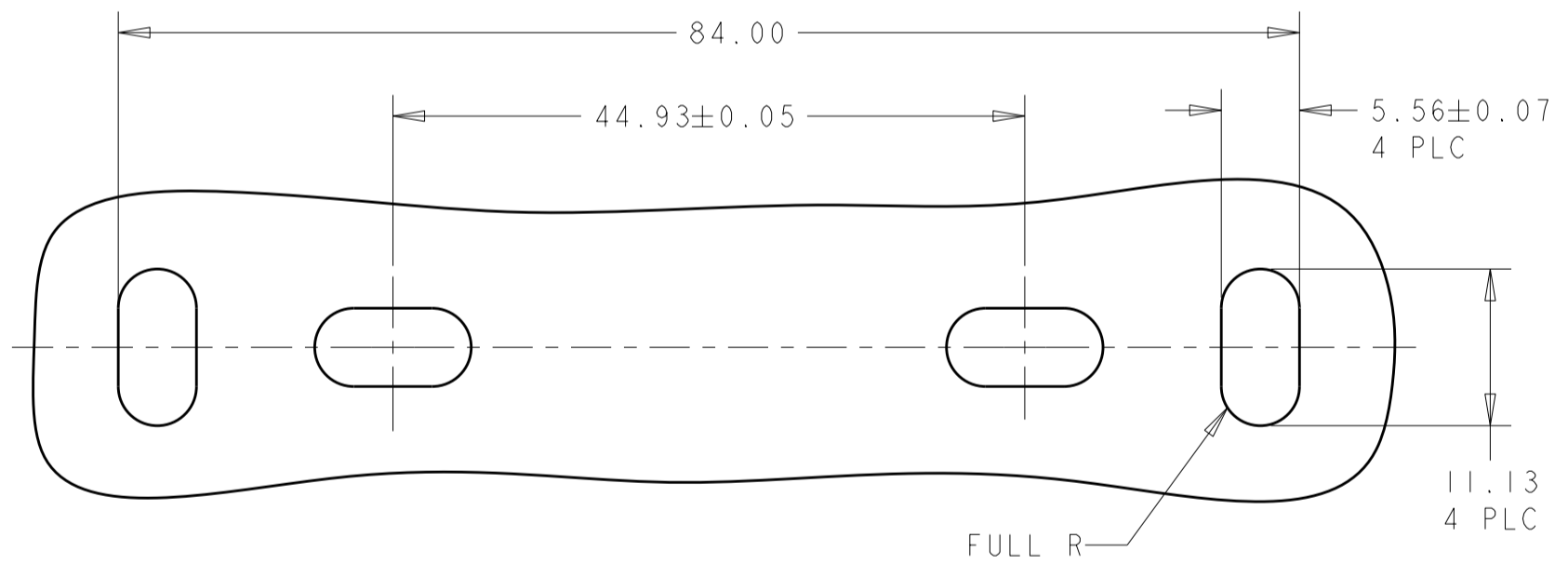
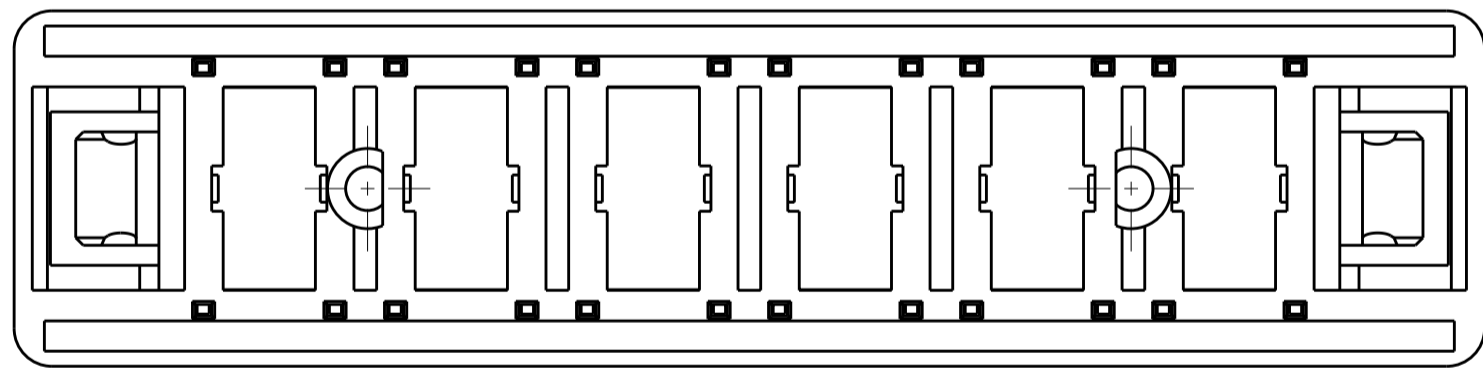
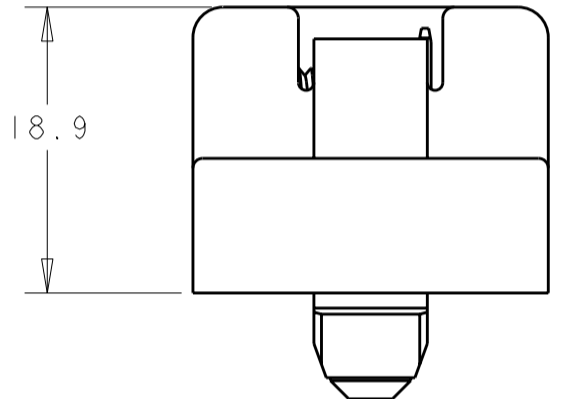
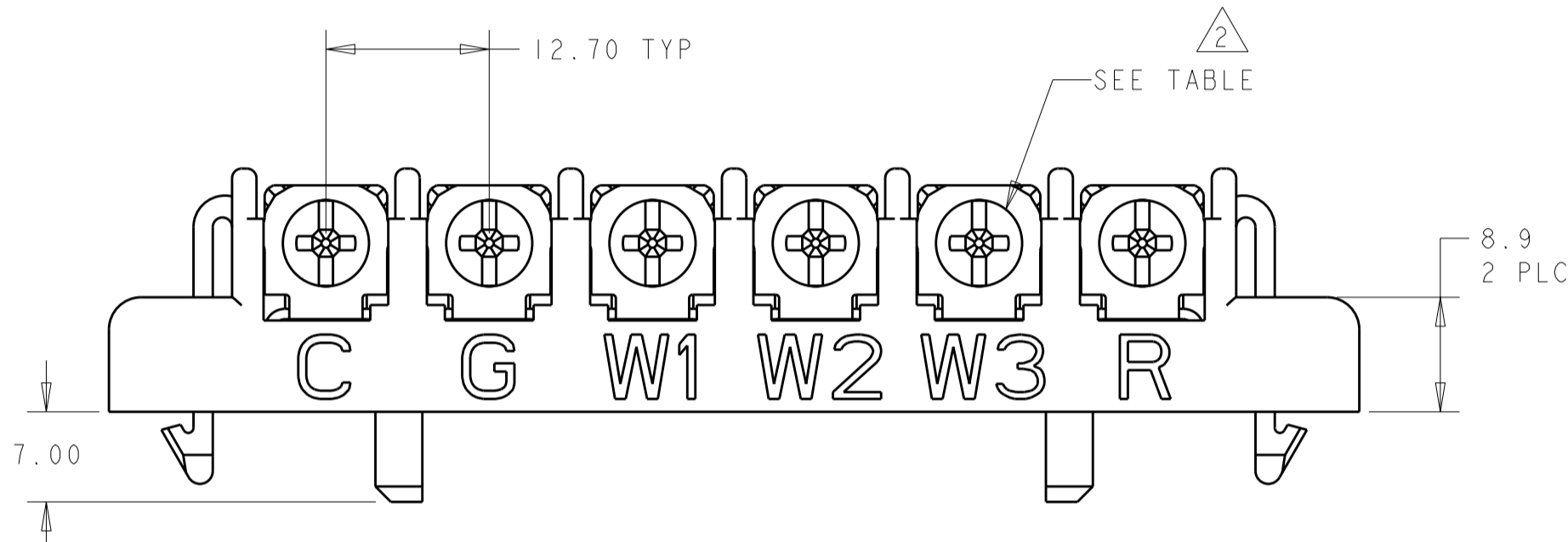
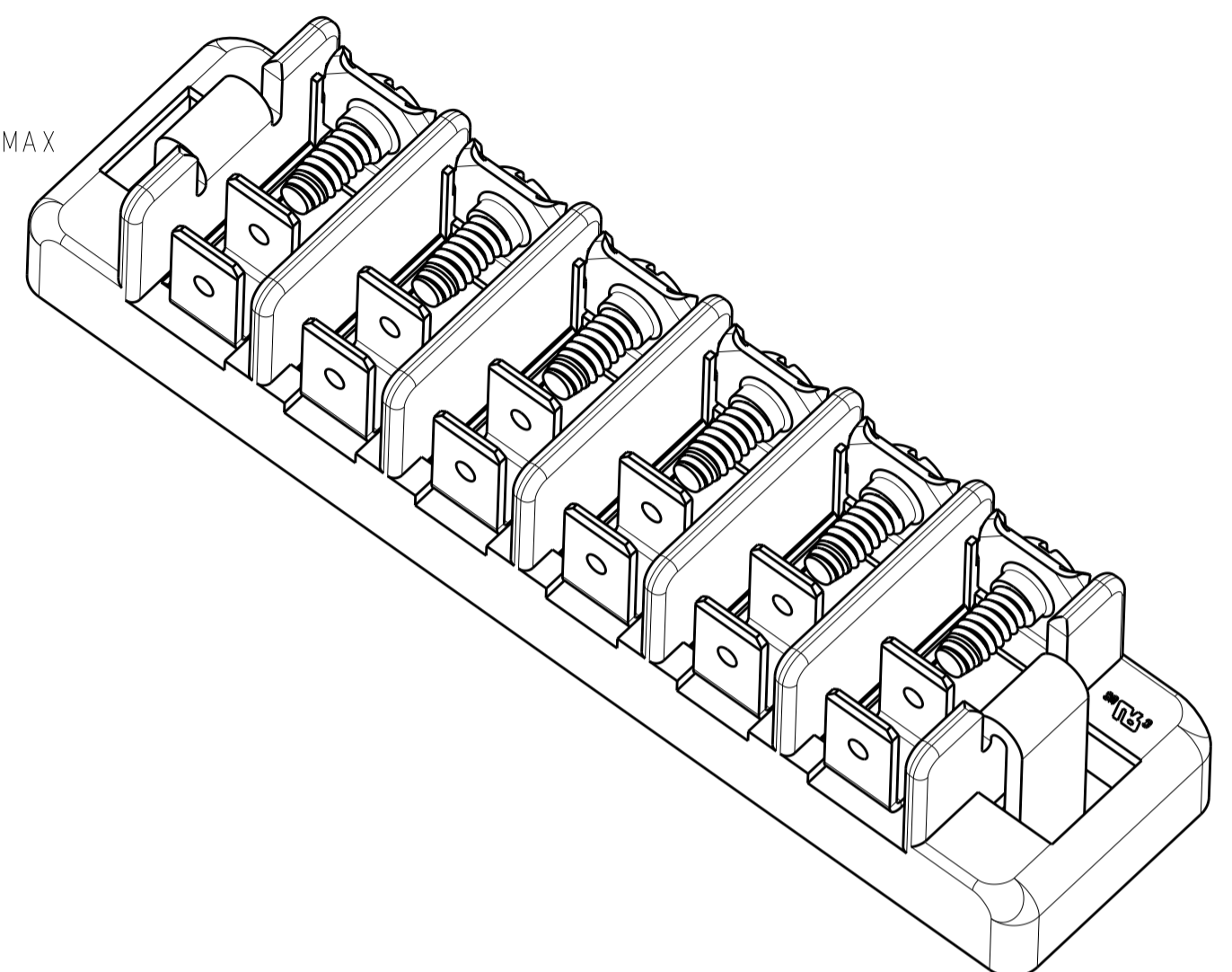
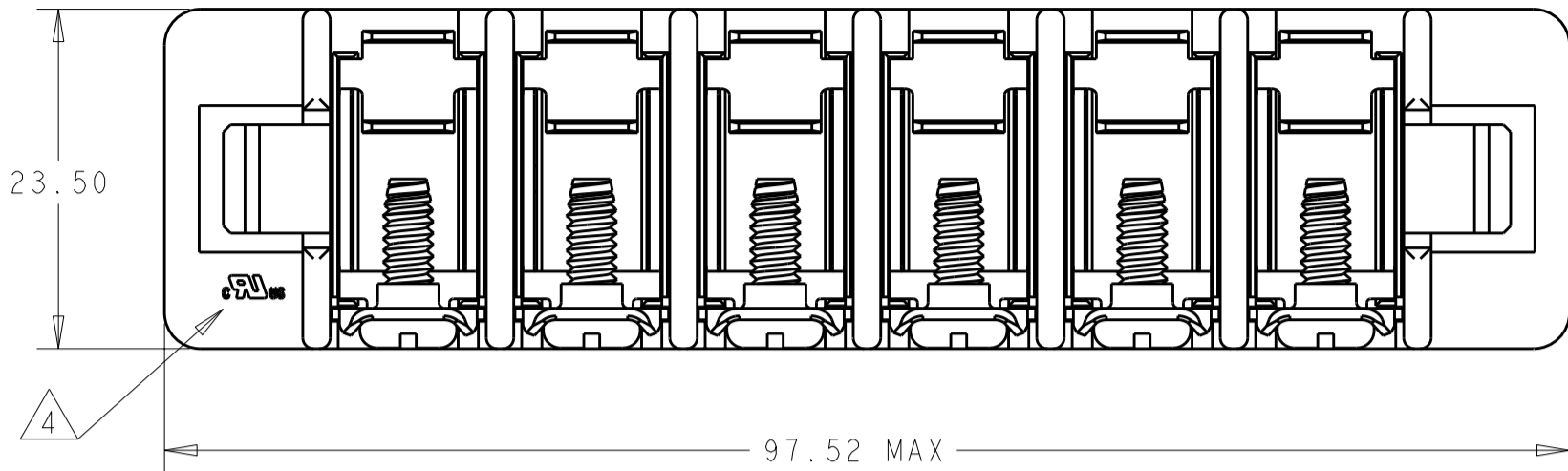


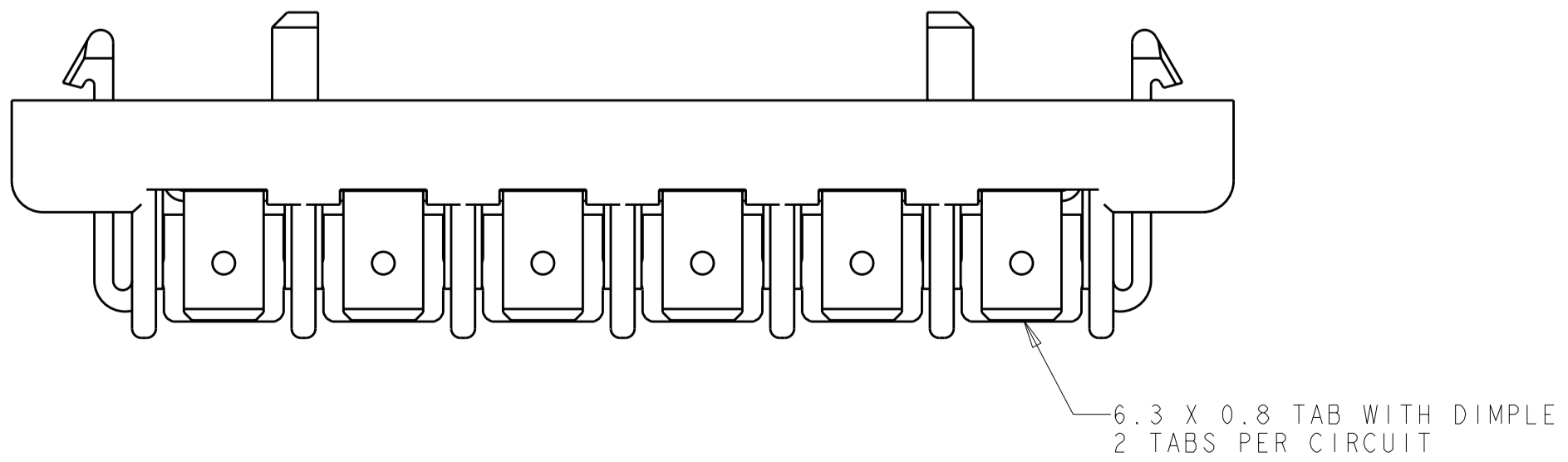
THIS DRAWING IS UNPUBLISHED. RELEASED FOR PUBLICATION 20  
 © COPYRIGHT 20 BY TYCO ELECTRONICS CORPORATION. ALL RIGHTS RESERVED.

- 1 MATERIAL: HOUSING: HIGH TEMP NYLON  
 COLOR: BLACK  
 CONTACT: BRASS  
 SCREW: STEEL, ZINC PLATED
- 2 RECOMMENDED TIGHTENING TORQUE: 12 IN-LB
- 3 PANEL BURR SIDE TO BE OPPOSITE OF CONNECTOR MOUNTING SURFACE
- 4 UL AND CSA APPROVED, FILE E60677.
- 5 RECOMMENDED TIGHTENING TORQUE: 20 IN-LB MAX
- 6 PRELIMINARY PART

LOC	DIST	REVISIONS			
P	LTR	DESCRIPTION	DATE	DWN	APVD
FT	0				
	A2	REVISED PER ECO-10-011897	09JUN2010	HMR	CR



RECOMMENDED PANEL CUTOUT  
 PANEL THICKNESS: 0.86 - 1.06  
 SCALE 2:1



5	8-32	6	1-1811495-6
2	6-32 BINDING		1811495-6
	SCREW TYPE		PART NO

THIS DRAWING IS A CONTROLLED DOCUMENT FOR TYCO ELECTRONICS CORPORATION. IT IS SUBJECT TO CHANGE AND THE CONTROLLING ENGINEERING ORGANIZATION SHOULD BE CONTACTED FOR THE LATEST REVISION.		DWN W.G. LENKER 08NOV2004	Tyco Electronics Harrisburg, PA 17105-3608	
DIMENSIONS: mm		CHK S. DUESTERHOEFF 08NOV04	NAME TERMINAL STRIP 6 POSITION	
TOLERANCES UNLESS OTHERWISE SPECIFIED: 0 PLC ± 1 PLC ±0.2 2 PLC ±0.15 3 PLC ± 4 PLC ± ANGLES ±5° FINISH		APVD -	PRODUCT SPEC -	RESTRICTED TO -
MATERIAL		APPLICATION SPEC -	WEIGHT -	SIZE A200779
1		CUSTOMER DRAWING	SCALE 2:1	DRAWING NO C-1811495
			SHEET 1 OF 1	REV A2