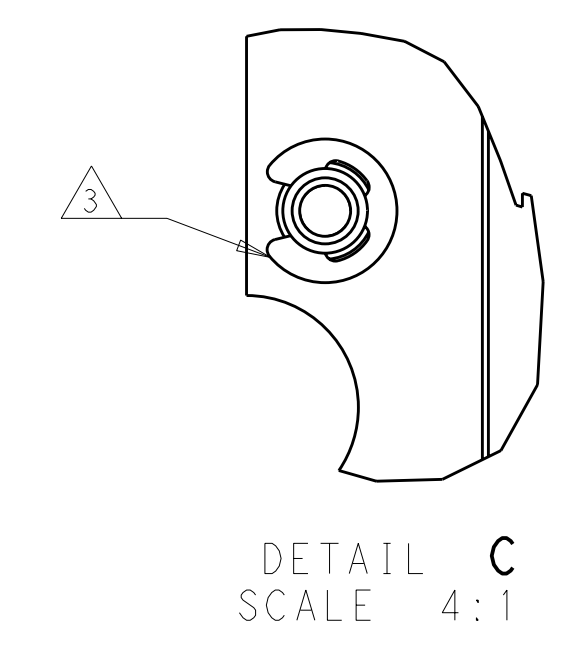
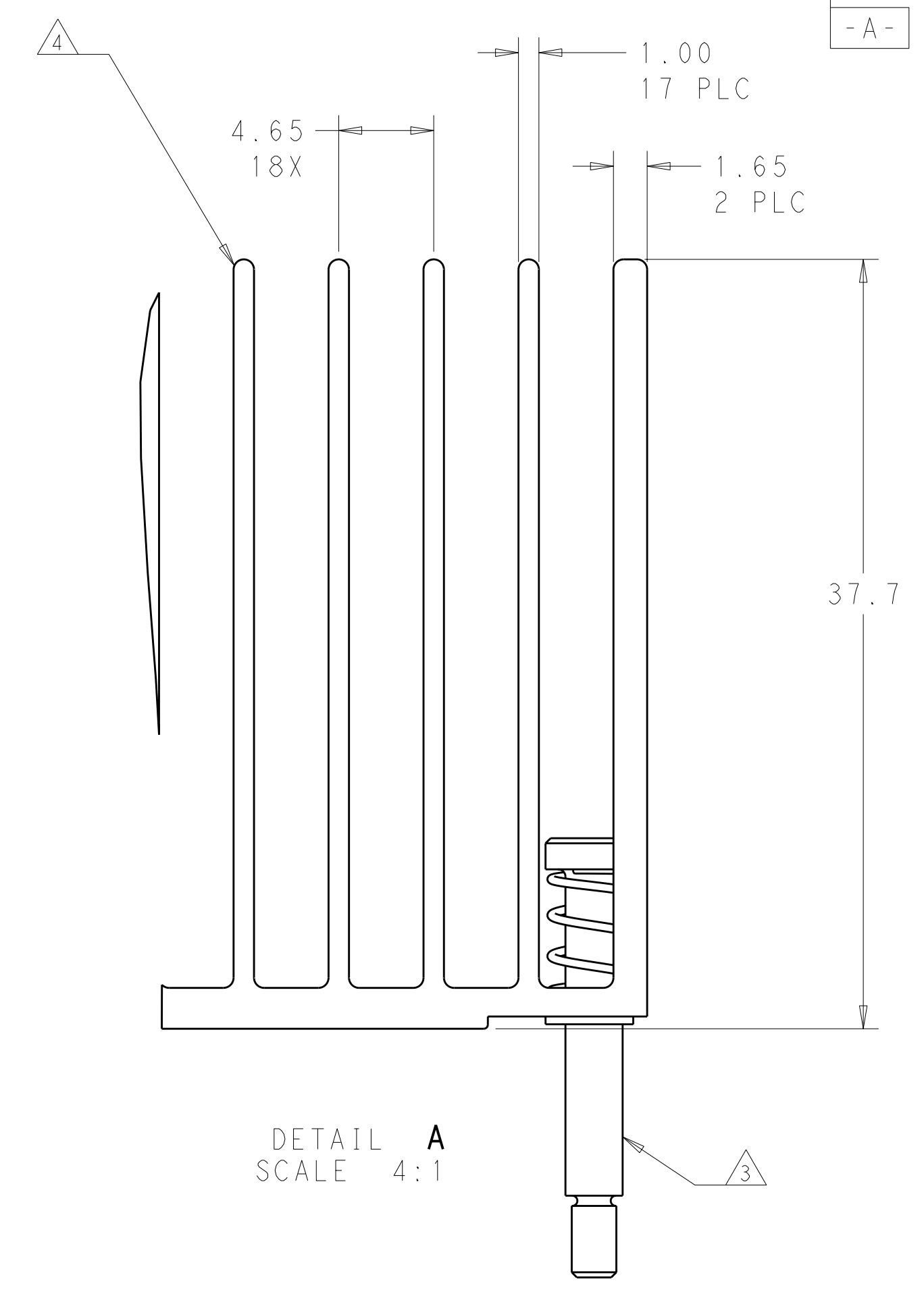
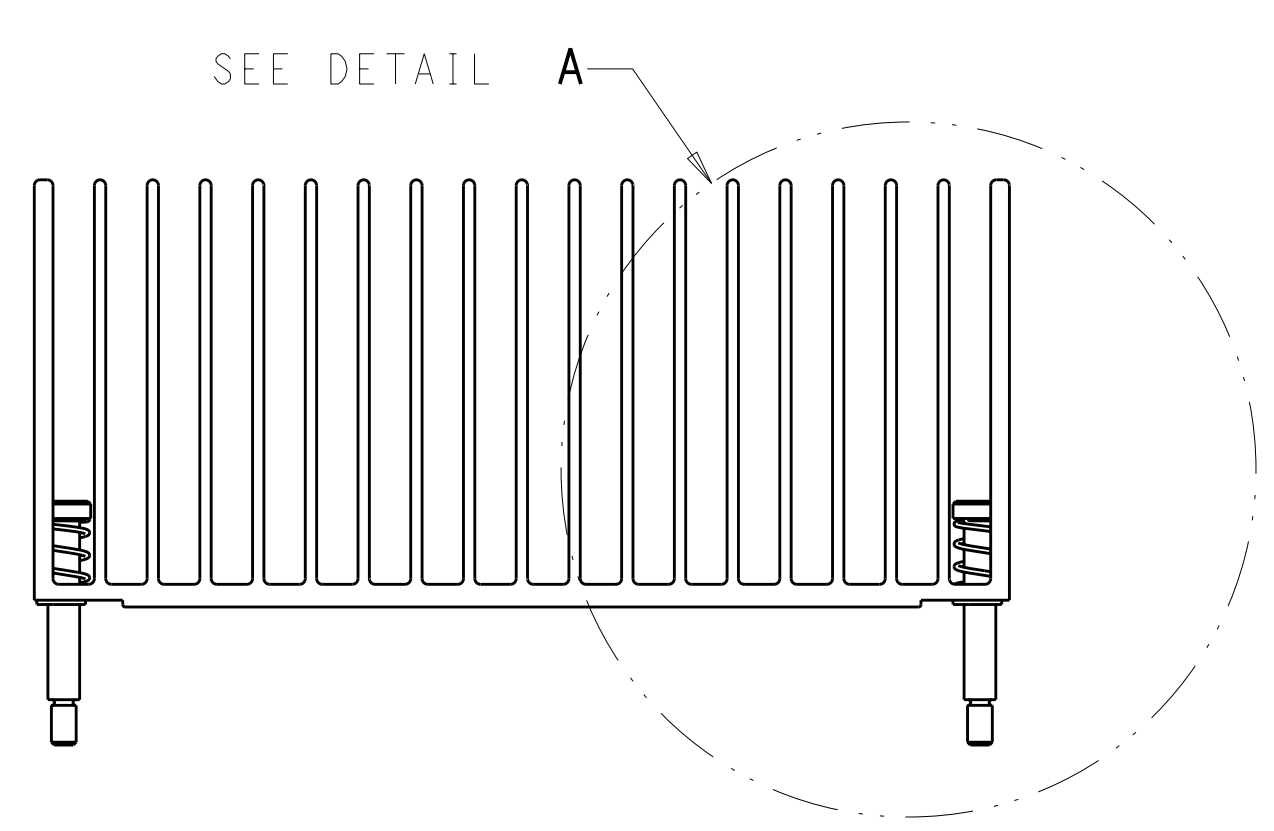
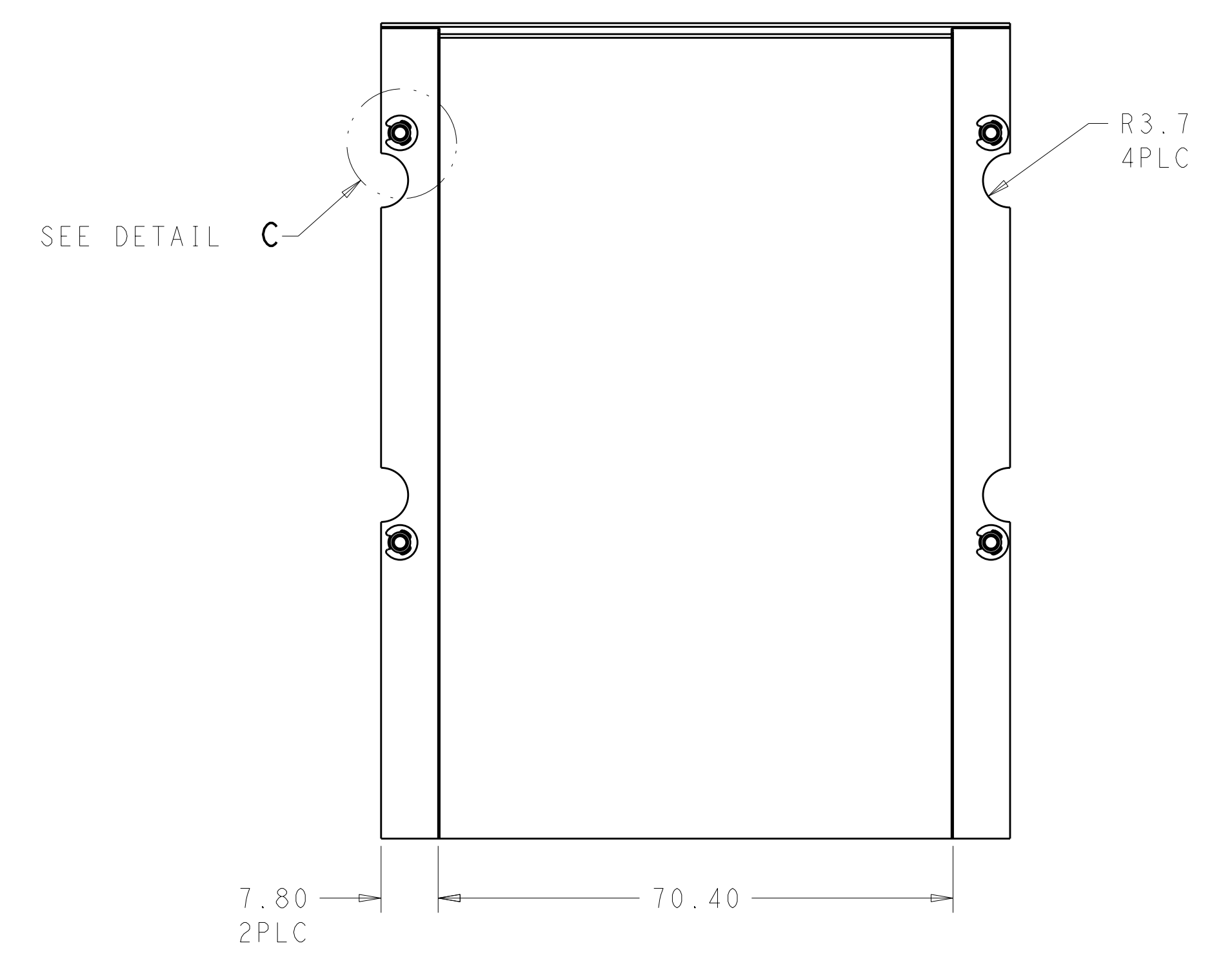
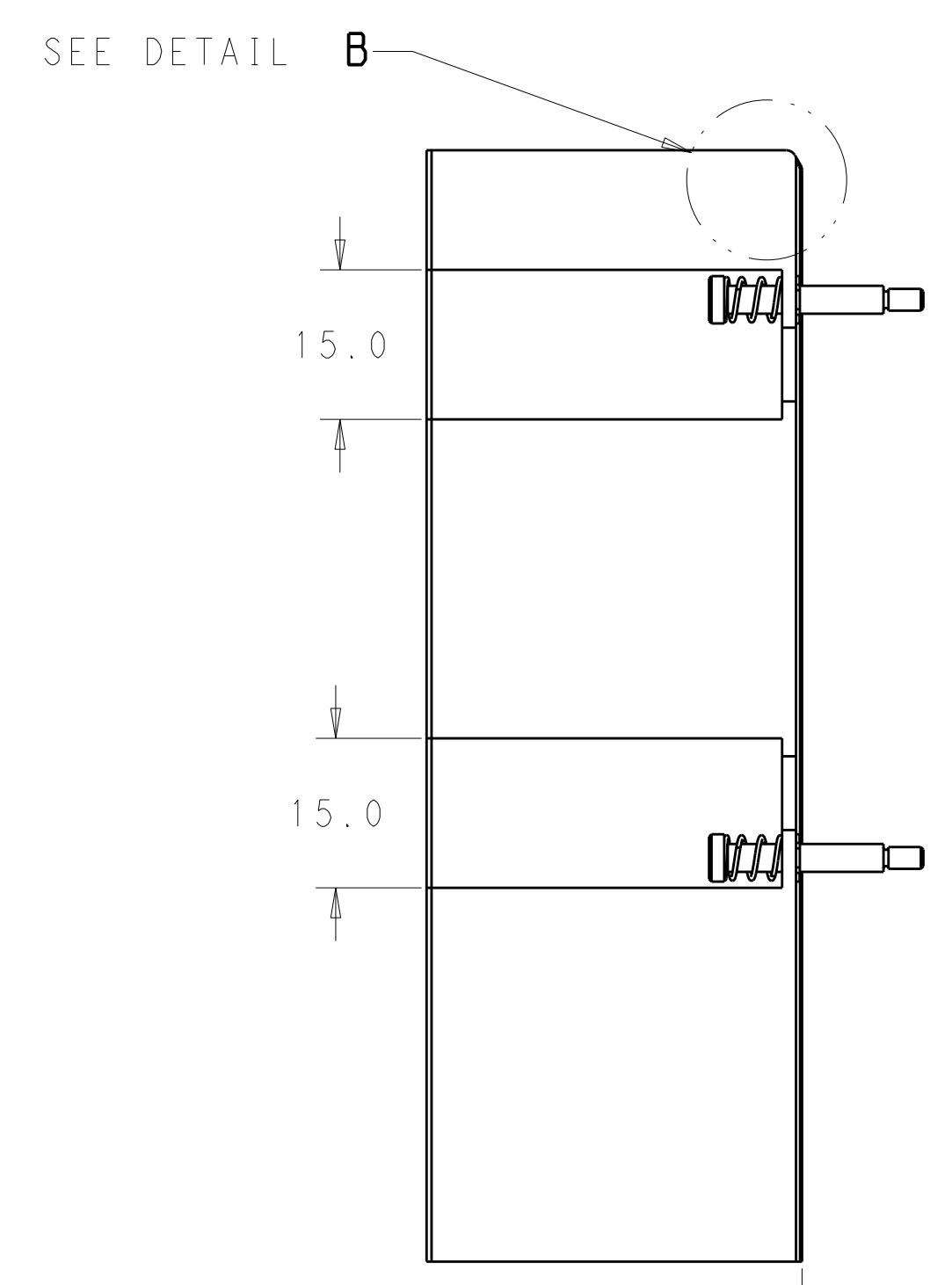
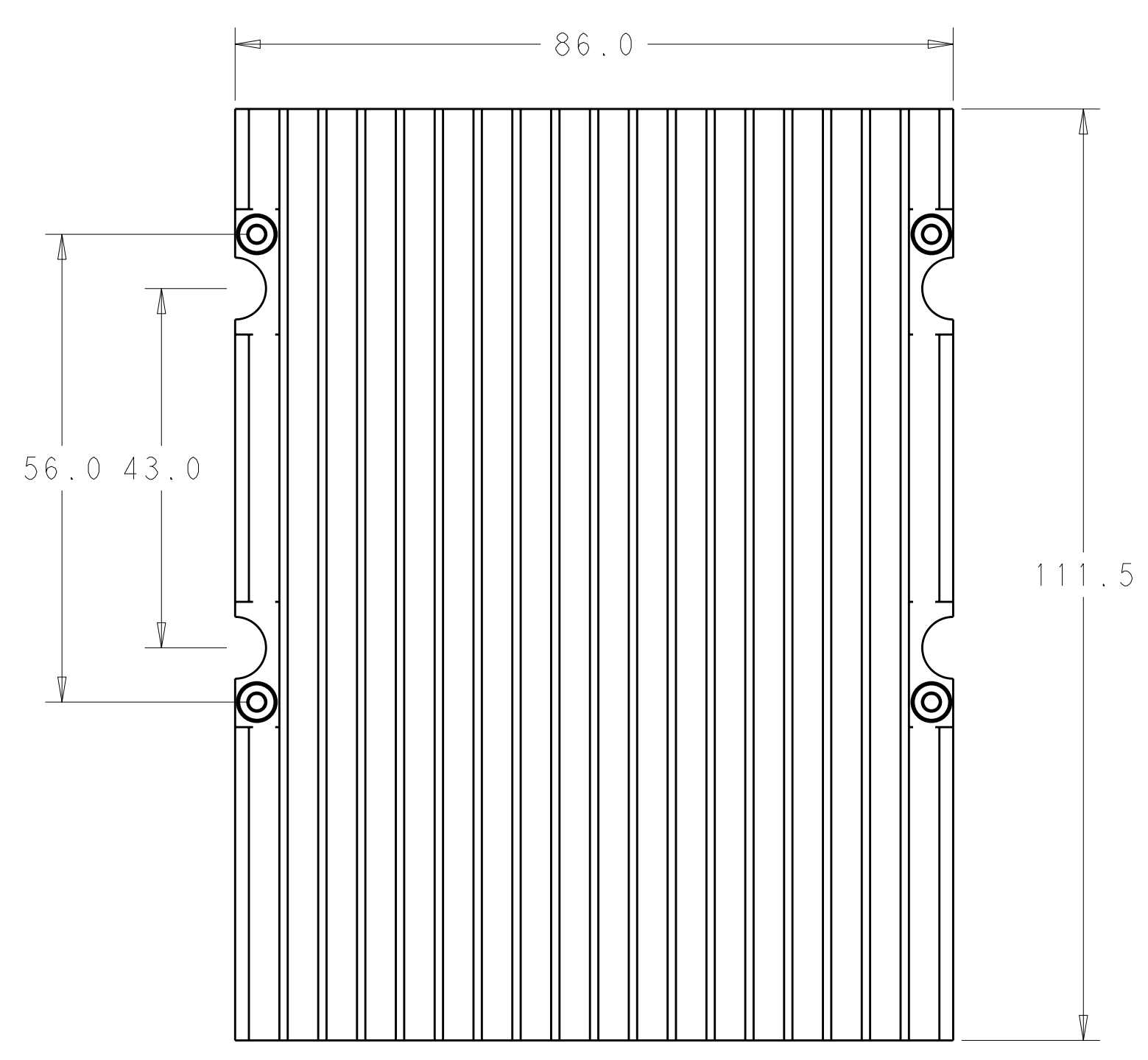
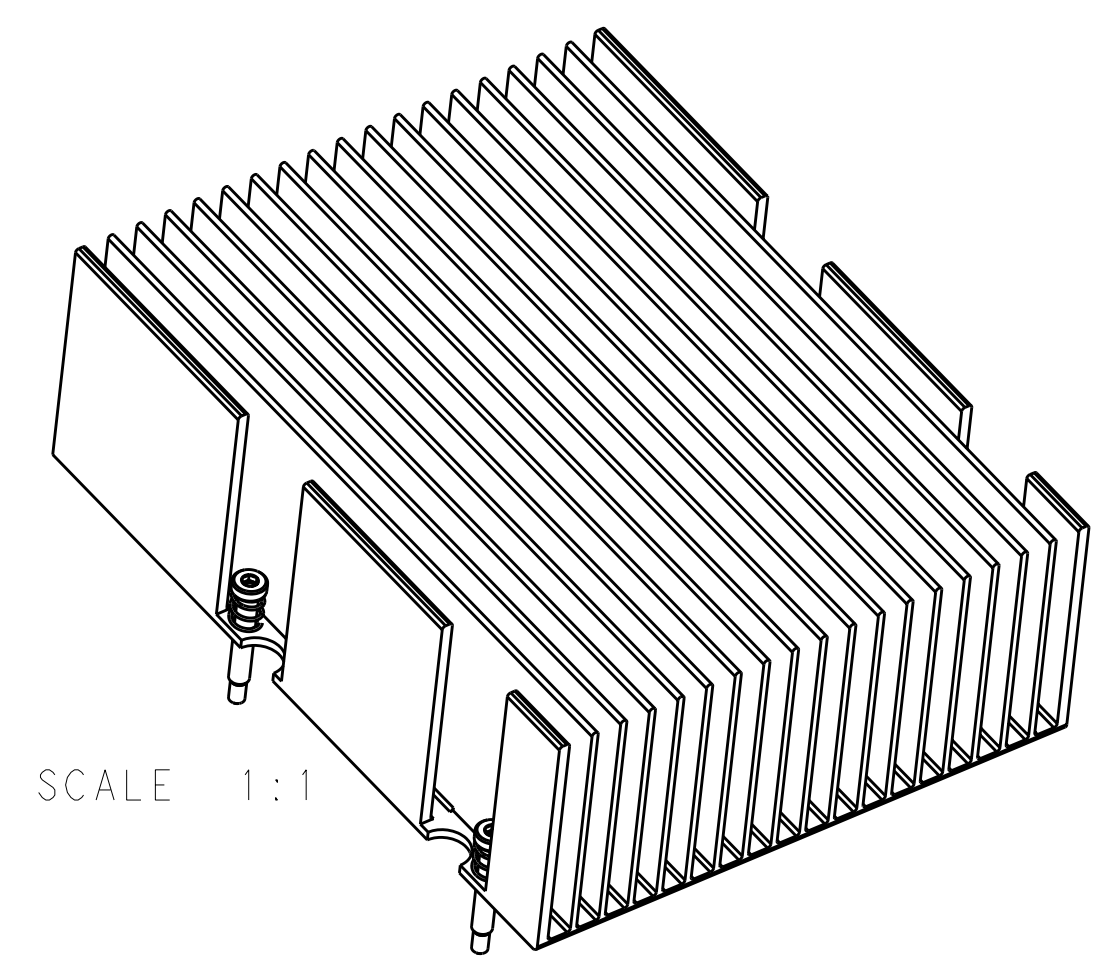
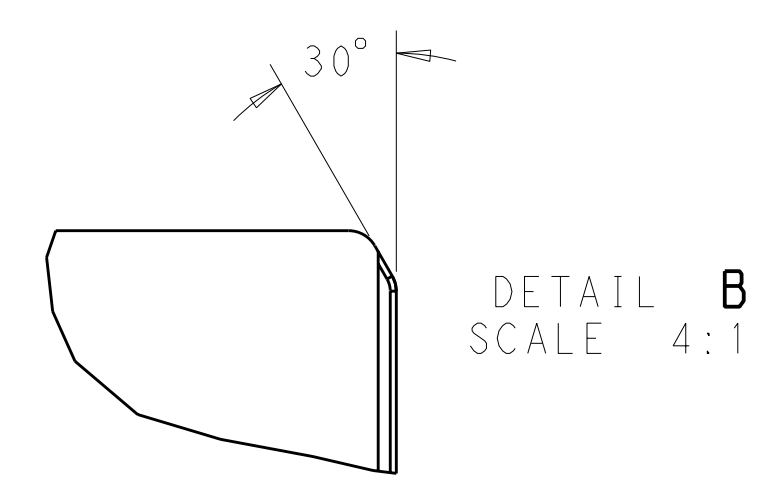


LOC	DIST	P	LTB	DESCRIPTION	DATE	DWN	APVD
-	-	1	-	DRAWING CREATION	16SEP2009	JE	JE
-	-	A	-	REMOVE UNUSED PRELIMINARY P/N'S	21SEP2009	-	JE
-	-	B	-	REVISED PER ECO-09-024638	03NOV2009	DH	JE



- ① HEATSINK MATERIAL: ALUMINUM ALLOY
- ② FINISH: ANNOIDIZED
- ③ 2-56 SHOULDER BOLT AND SPRING PRE-ASSEMBLED AND HELD IN PLACE WITH CLIP
- ④ FULL ROUND PERMITTED ON TOP OF HEATSINK FIN

2110903-2
PART NUMBER

<small>THE DRAWING IS TO BE CONTROLLED THROUGHOUT THE PRODUCT LIFE CYCLE. ANY CHANGES TO THE DRAWING MUST BE APPROVED BY THE ORIGINAL DESIGNER AND THE ORIGINAL DRAWING SHOULD BE CONTACTED FOR THE LATEST REVISION.</small>		DWN	17SEP2009	Tyco Electronics Harrisburg, PA 17105-3608	
DIMENSIONS: mm 		CHK	J EARY		
TOLERANCES UNLESS OTHERWISE SPECIFIED: 9 PLC ±.5 1 PLC ±0.5 2 PLC ±0.13 3 PLC ±0.013 4 PLC ±0.001 ANGLES ±.1		APVD	-	NAME	100 GIG CFP HEAT SINK FINS PARALLEL TO MATING DIRECTION
MATERIAL: ① FINISH: ②		PRODUCT SPEC	-	APPLICATION SPEC	-
CUSTOMER DRAWING		WEIGHT	-	SIZE	A100779C=2110903
SCALE 3:2 SHEET 1 OF 1 REV B		RESTRICTED TO	GOOG		