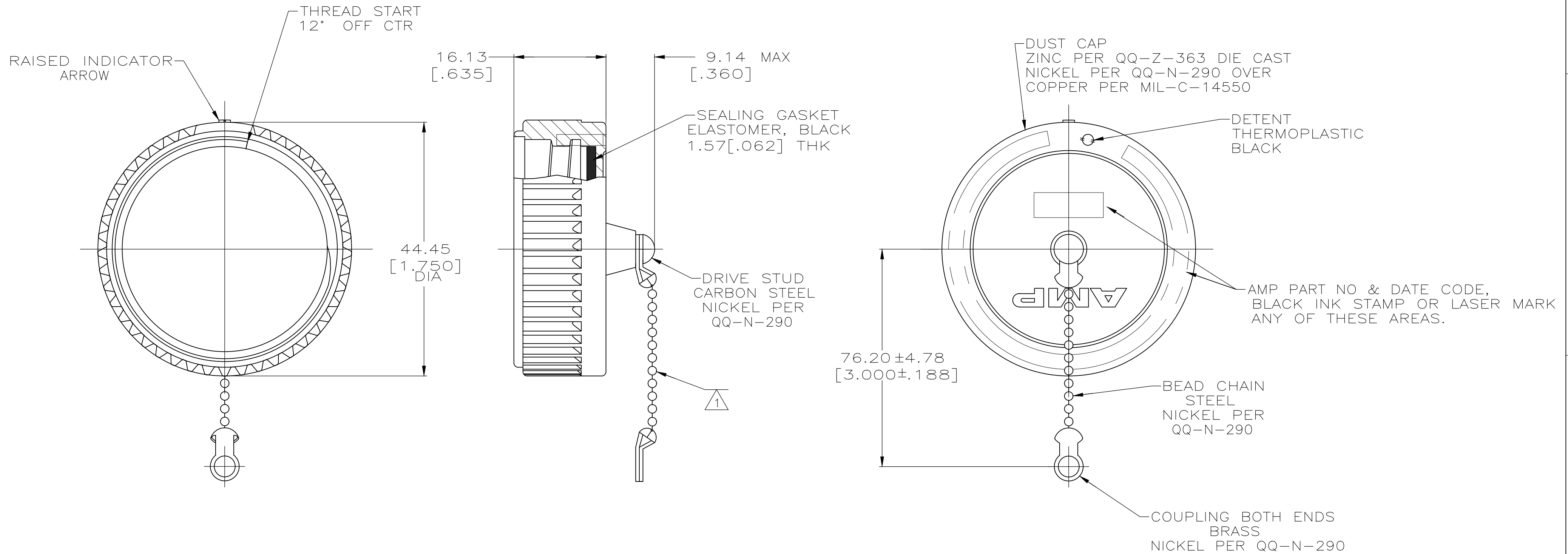


THIS DRAWING IS UNPUBLISHED. RELEASED FOR PUBLICATION
 © COPYRIGHT - TE Connectivity Ltd. ALL RIGHTS RESERVED.

REVISIONS					
P	LTR	DESCRIPTION	DATE	DWN	APVD
G		REVISED PER ECO-18-007245	17MAY2018	KH	MZ



1 BEADED PORTION OF CHAIN MUST ROTATE FREELY. THE EYELET OF THE CHAIN IS NOT REQUIRED TO SPIN FREELY AROUND THE STUD.

211903-1
PART NO

THIS DRAWING IS A CONTROLLED DOCUMENT.		DWN R.SHIREY 08/13/91	TE TE Connectivity Ltd.	
DIMENSIONS: INCHES		CHK R.STONE 9/1/91		
TOLERANCES UNLESS OTHERWISE SPECIFIED:		APVD K.BEAVER 9/17/91	NAME PROTECTIVE CAP ASSEMBLY, SIZE 22, CMC	
0 PLC ± -		PRODUCT SPEC -	SIZE A2	CAGE CODE 00779
1 PLC ± -		APPLICATION SPEC -	DRAWING NO C-211903	RESTRICTED TO -
2 PLC ± 0.25 [.010]		WEIGHT 0	SCALE 2:1	SHEET 1 OF 1
3 PLC ± -		CUSTOMER DRAWING	REV G	
4 PLC ± -				
ANGLES ± -				
MATERIAL SEE CALLOUTS		FINISH SEE CALLOUTS		