

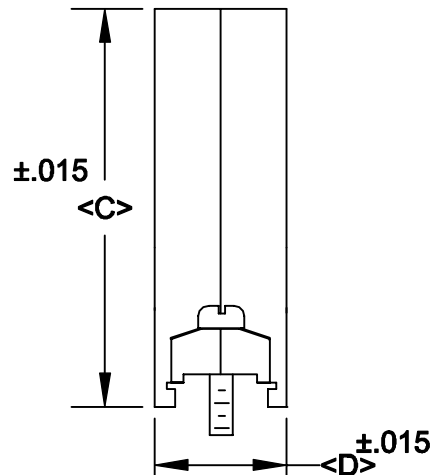
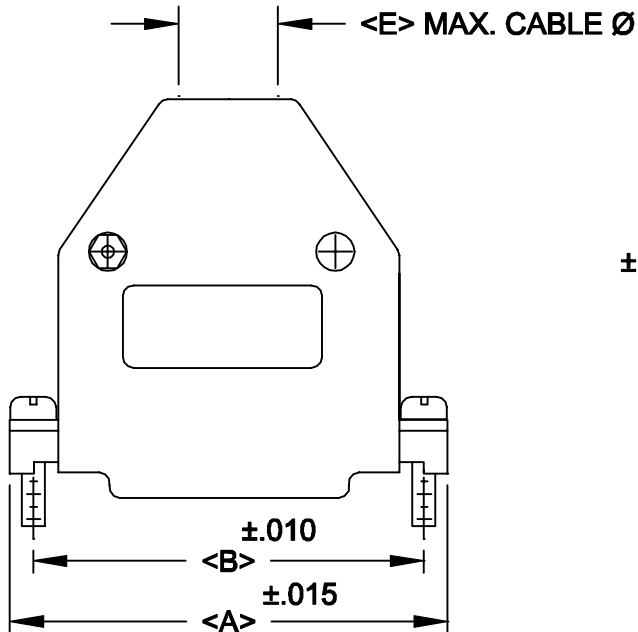
DESCRIPTION: **979 SERIES D-SUB BACKSHELL**

979-XXX-XXX-XX1

BACKSHELL KIT INCLUDES:

- (2) BACKSHELL HALVES
- (2) 4-40 MATING SCREW
- (2) SADDLE WASHERS
- (2) HOUSING SCREWS
- (2) HOUSING NUTS
- (1) GROMMET TREE - VARIOUS SIZES
(NON-CONDUCTIVE GROMMETS)

SERIES _____
 POSITIONS _____
 009
 015
 025
 037
 050
 MATERIAL _____
 010 = PLASTIC
 COLOR: _____
 3 = GREY
 PUT-UPS _____
 1 = KIT



POS.	A	B	C	D	E
9	1.232	.984	1.913	.656	.354
	31.28	24.99	48.60	16.66	9.00
15	1.555	1.312	1.895	.669	3.74
	39.50	33.32	48.13	17.00	9.50
25	2.100	1.852	1.900	.655	.397
	53.34	47.04	48.26	16.64	10.00
37	2.748	2.500	1.900	.655	.512
	69.80	63.50	48.26	16.64	13.00
50	2.697	2.406	1.900	.770	.512
	68.50	61.11	48.26	19.56	13.00

MATERIAL: ABS HIGH TEMP. PLASTIC - UL 94HB

	THESE DRAWINGS AND SPECIFICATIONS ARE THE PROPERTY OF NorComp AND SHALL NOT BE REPRODUCED, COPIED OR USED AS THE BASIS FOR THE MANUFACTURE OR SALE OF APPARATUS WITHOUT WRITTEN PERMISSION.		DRAWN: PAM JENKINS	DATE: 12-13-01
			CHECKED	DATE:
NorComp		SCALE	SHEET	OF
		DWG NO. 979-XXX-010-031		REV 1