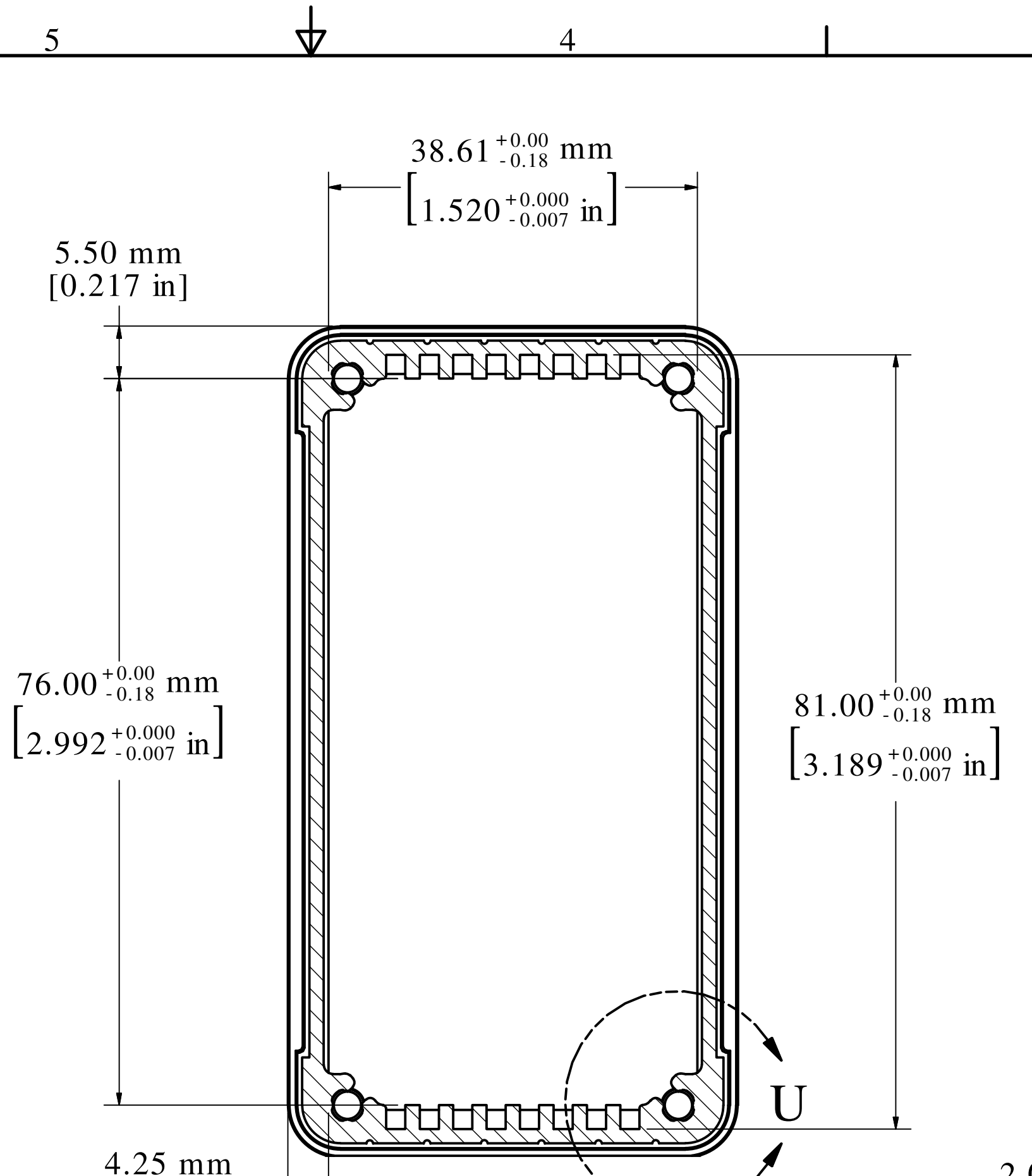
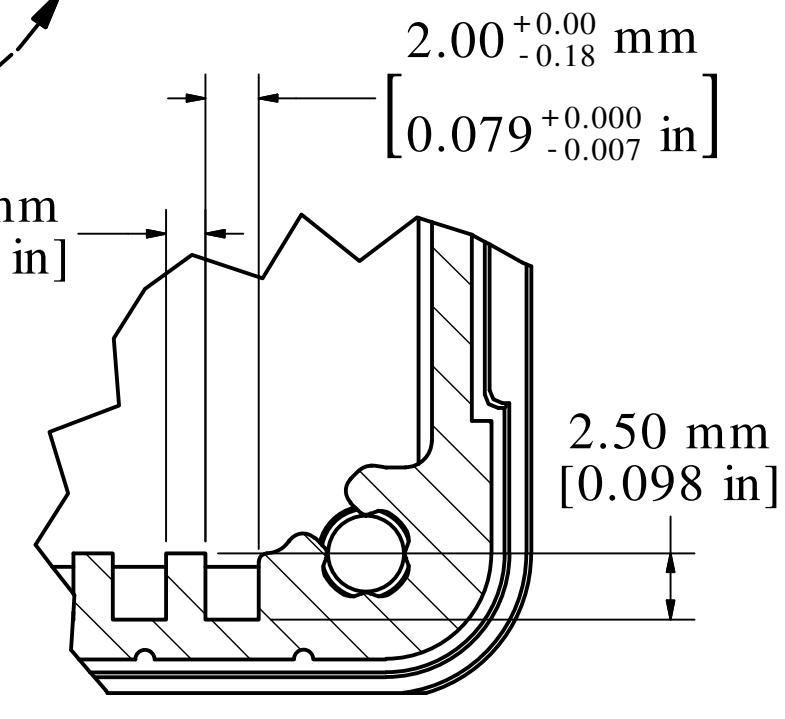


Inside Face to Face Dimension
ASSEMBLY - VIEW FROM TOP

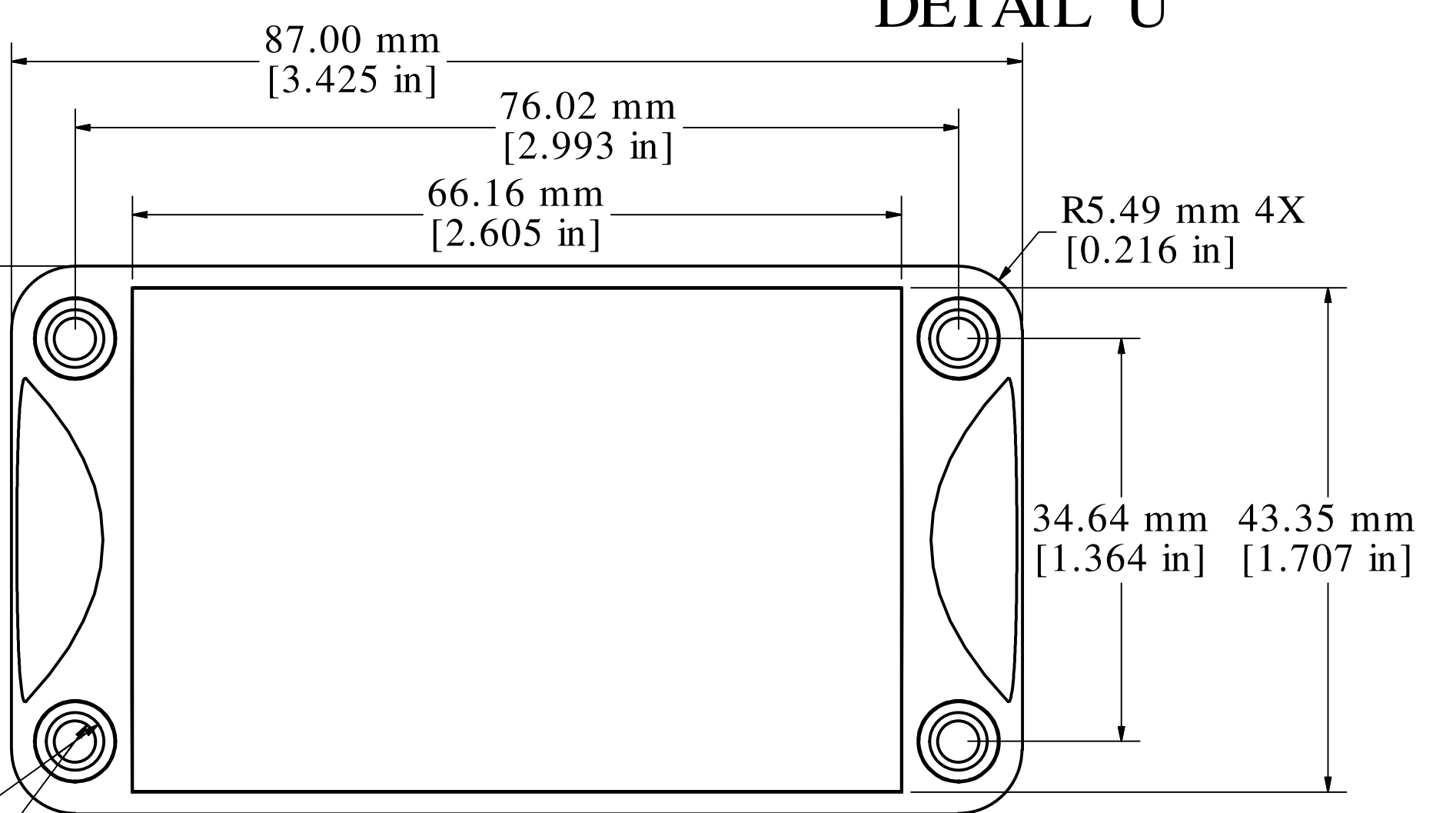
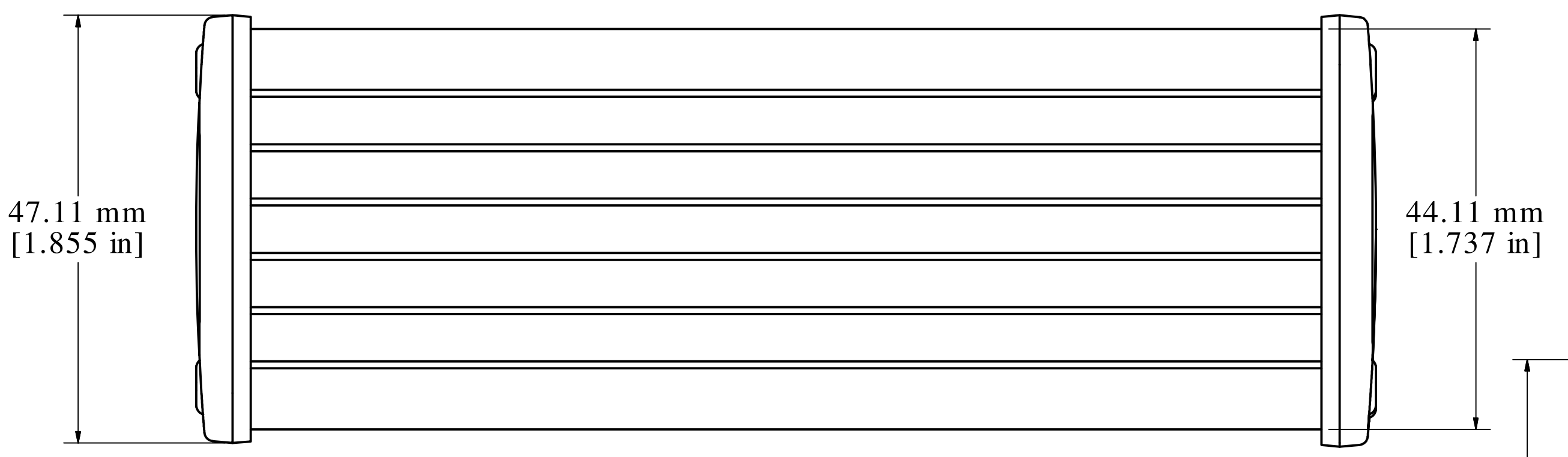
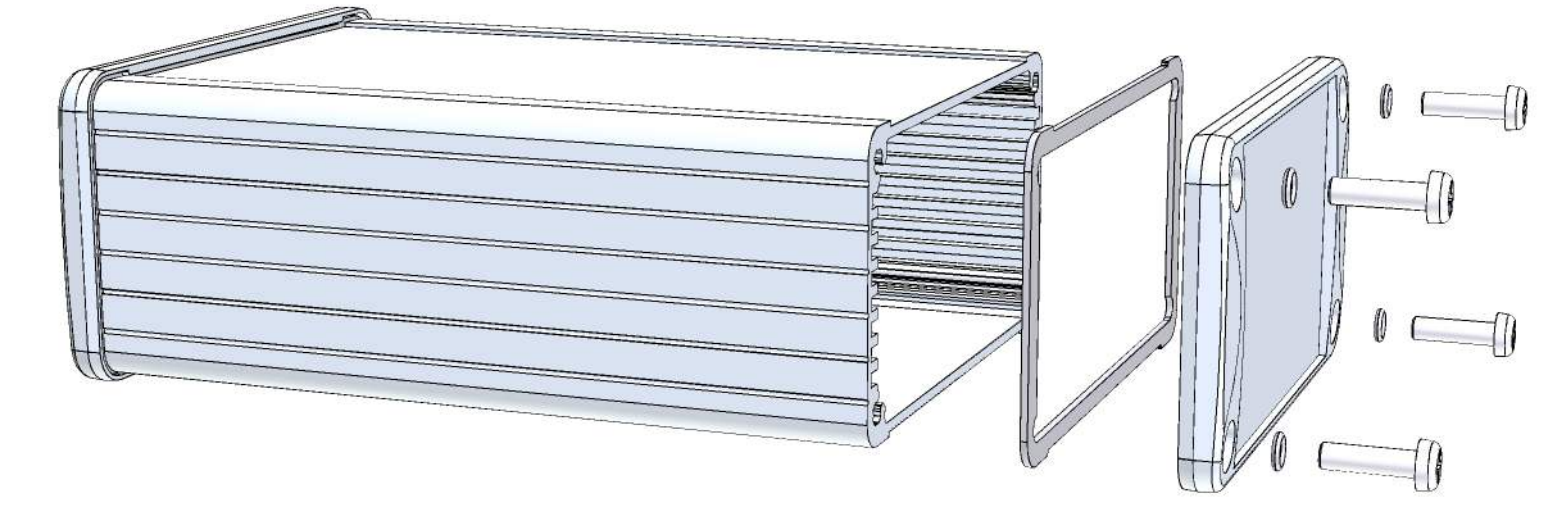
.75mm (.030") Deep Recess For Labels/Keypads etc.



SECTION T-T



DETAIL U



END PANEL - VIEW FROM OUTSIDE

- n 5.00 mm x 0.60 mm 4X
- n 3.60 mm x 8.00 mm
- v n 7.00 mm x 2.50 mm 4X

Fits 120mm (4.724") X 80mm (3.149") PCB
Note: Aluminum extrusion has a tolerance of +/- .02"

PROTECTION TO IP 65

Enclosures can be Factory Modified (Milling, Drilling, Printing etc.)
Contact Factory mjm@hammondmfg.com for quotes
Solid models of this enclosure available in STEP or IGES.

NOTE	
Purchased assembly includes box, end panels, stainless steel #6 Taptight screws, self adhesive rubber feet, gaskets and O-Rings.	
Box made from Extruded Aluminum 6063.	
End panels made from Type 380 Diecast Aluminum with a black powder paint finish.	
WATERPROOF 1457K1201	
PART NUMBERS	
Clear anodized box with black powder painted end panels	1457K1201
Black powder painted box and end panels	1457K1201BK
EMI/RFI SHIELDED (IP 54)	
Clear anodized box with black powder painted end panels	1457K1201E
Black powder painted box and end panels	1457K1201EBK
ACCESSORIES	
See website for accessories.	



1457K1201
www.hammondmfg.com