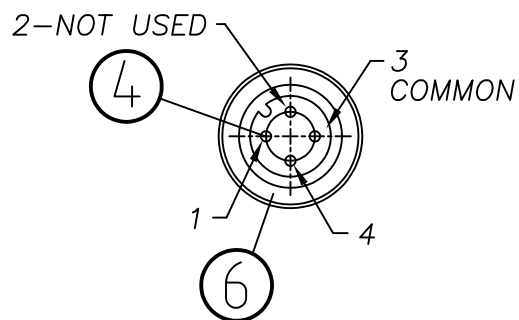
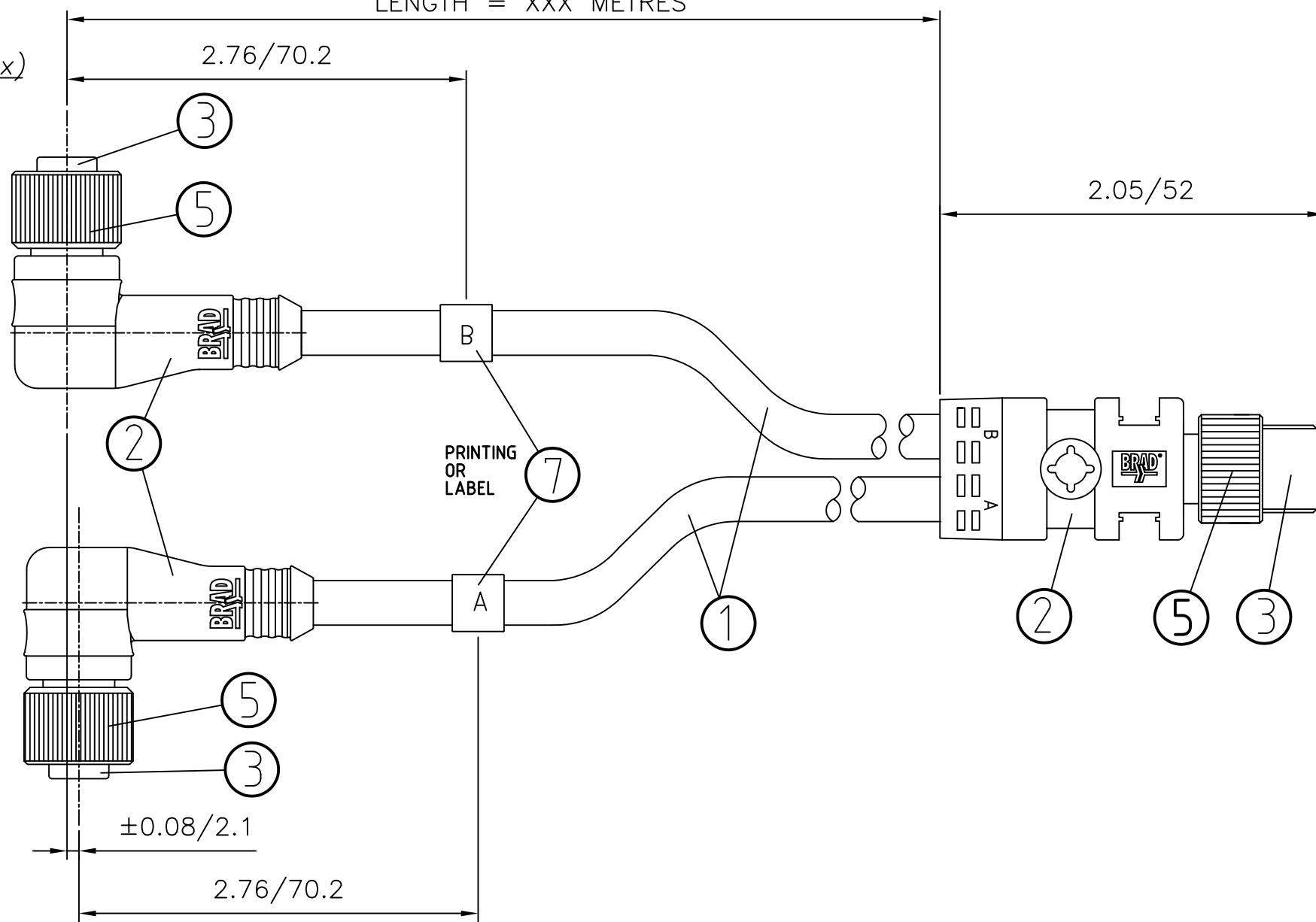


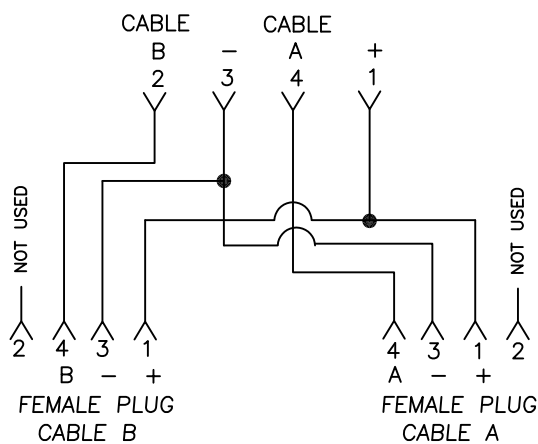
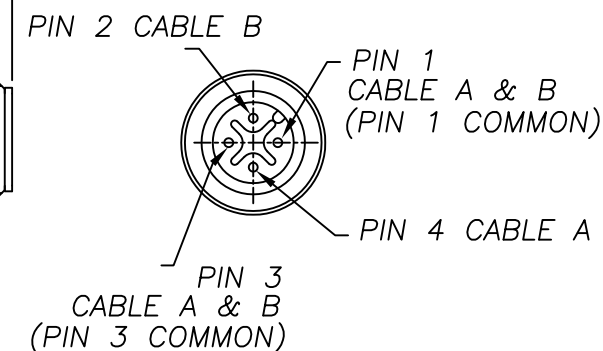
FEMALE INSERT FRONT VIEW (2x)



LENGTH = XXX METRES



MALE INSERT FRONT VIEW



WIRING SCHEMATIC

CONNECTOR SPECIFICATION:

VOLTAGE RATING	300 V
AMPERAGE RATING	max. 4 AMPS
PROTECTION	IP67
OPERATING TEMPERATURE	FLEXING: -5°C TO +80°C STATIC: -30°C TO +80°C
UL CERTIFICATION	STYLE 2464
CSA CERTIFICATIONS	I/II A/B 80°/300V

MATERIAL NUMBER	ENGINEERING NUMBER	FINISHED LENGTH
1200685031	884A1E03M003	0.98' +0.75" -0 [0.3M +19.1 -0]

ITEM	COMPONENT	MATERIAL	FINISH
7	LABLE	MYLAR	BLACK/YELLOW
6	O-RING	VITON	RED
5	COUPLER	BRASS	NICKEL PLATED
4	PIN CONTACT	COPPER ALLOY	GOLD OVER NICKEL
3	INSERT	PUR	BLACK
2	OVERMOLD	PVC	YELLOW
1	CABLE #22-3 (COPPER STRANDING) 3 CONDUCT. 300V	JACKET: PVC	YELLOW

DESCRIPTION EC NO: WEU2010-0362 DRWN: BBRAUCH 2010/02/16 CHKD: NS APPR: NSTAUDIG 2010/02/18	QUALITY SYMBOLS ▽ = 0 ▽/C = 0	GENERAL TOLERANCES (UNLESS SPECIFIED) mm INCH 4 PLACES ±--- ±--- 3 PLACES ±--- ±--- 2 PLACES ±--- ±0.1 1 PLACE ±0.3 ±--- ANGULAR ± --- °	DIMENSION STYLE IN/MM DRAWN BY DATE BBRAUCH 2010/02/16 CHECKED BY DATE NS 2010/02/17 APPROVED BY DATE NSTAUDIG 2010/02/18	SCALE 2:1 DESIGN UNITS METRIC THIRD ANGLE PROJECTION	ILS-4P-2XFE-90-M-STR -XM-PVC	
	DRAFT WHERE APPLICABLE MUST REMAIN WITHIN DIMENSIONS		SEE TABLE	MATERIAL NO.	DOCUMENT NO. SD-120068-030	SHEET NO. 1 OF 1
	SIZE A3		THIS DRAWING CONTAINS INFORMATION THAT IS PROPRIETARY TO MOLEX INCORPORATED AND SHOULD NOT BE USED WITHOUT WRITTEN PERMISSION			
	1 REV					