



A-MP ★ INSERTION/EXTRACTION TOOL 91051-1
FOR
AMP-TAB ★ CONTACTS

IS 7396
RELEASED 5-28-69
REVISED

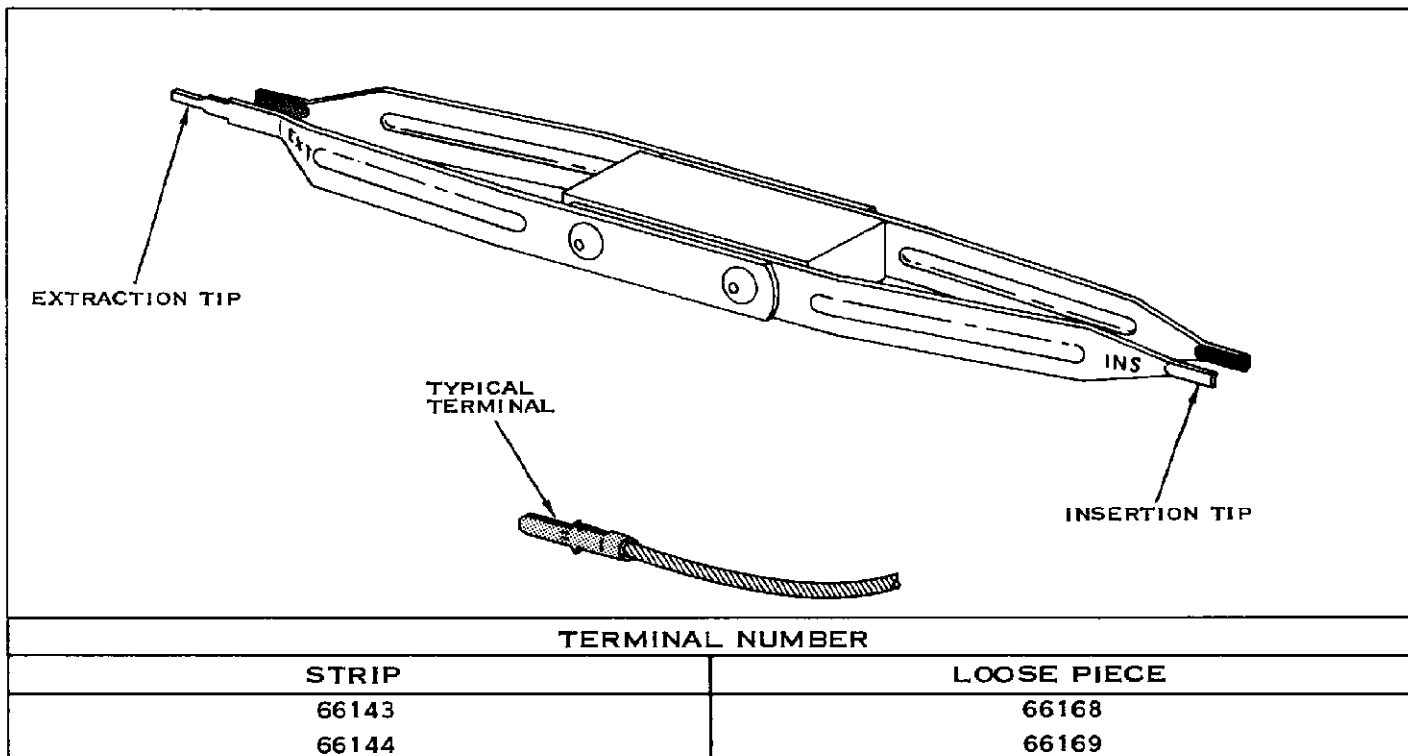


FIGURE 1

1. INTRODUCTION

These instructions cover insertion and extraction procedures for AMP-TAB Contacts. The contacts are used in quad connectors.

The tool has tweezer-like tips on both ends. Use the tips of even length for insertion; use the tips of uneven length for extraction. Figure 1.

2. INSERTION PROCEDURE

To insert a contact:

1. Place the Tool Tips against the Contact's insulation barrel as shown in Figure 2.

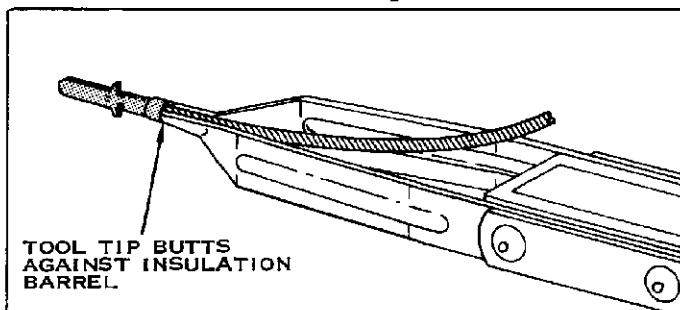


FIGURE 2

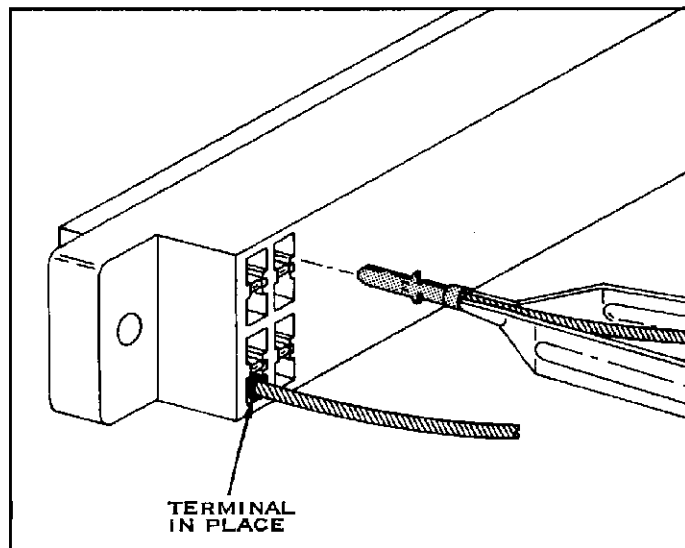


FIGURE 3

2. Insert the Contact into the connector cavity until you hear it click in place. Figure 3.
3. Remove the Tool.
4. Pull back lightly on the wire to make sure the Contact is locked in place.

© 1969 by AMP Incorporated. All international rights reserved. A-MP products covered by U.S. and foreign patents and/or patents pending.

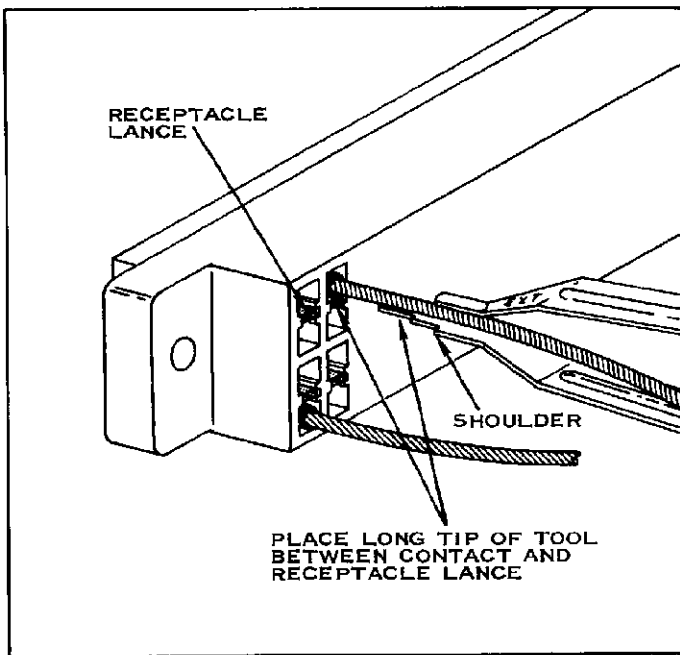


FIGURE 4

3. EXTRACTION PROCEDURE

To extract a contact:

1. Straddle the wire with the Tool Tips -- the long Tip aimed to go between the Contact and the Receptacle Lance. Figure 4.

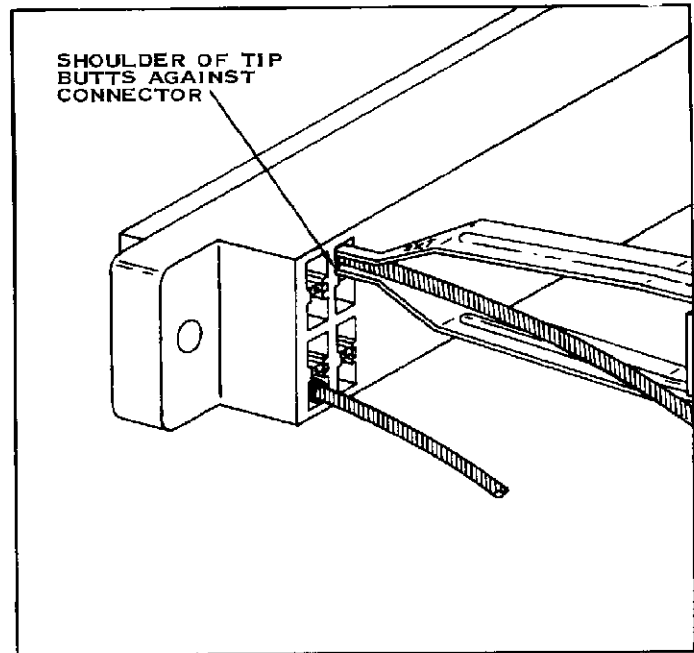


FIGURE 5

2. Insert the long Tip until its Shoulder butts against the Connector. Figure 5.
3. Squeeze the Tips against the Wire, and pull back. The Contact will come out.