



soberton inc.

EXCITER

Acoustic Product Specification

Product Number: E-2702



Release | Revision: A/2018

CONTENTS

This document contains the technical specifications for the exciter

Page 1

Specifications

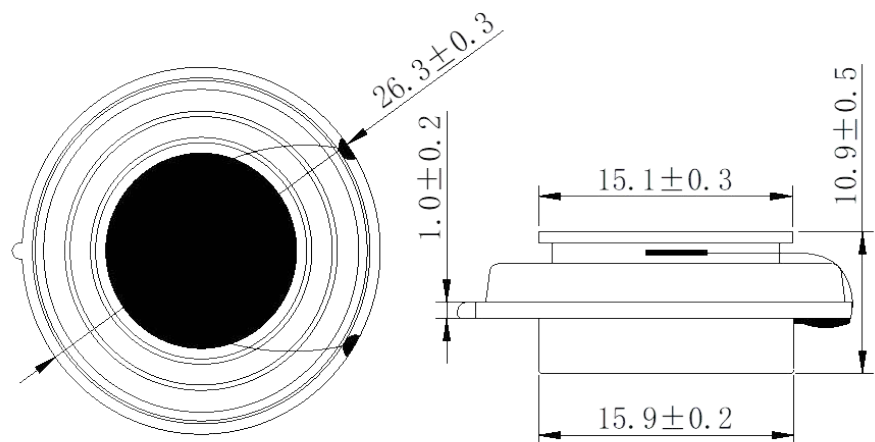
Dimensions

Frequency Response

Specifications

Specification	Unit	E-2702
AC Impedance	Ω	2±15% at 1000Hz
Rated Input Power	Watt	1.0
Max Input Power	Watt	2.0
Resonant Frequency	Hz	400±20%
Frequency Range	Hz	F0~20.0KHz, average SPL±10dB
Output Sound Pressure Level	dB	92 ±3dB 1.0 Watt/10 cm, AVG. at 0.8, 1.0, 1.2, 1.5KHz
Operating Temperature	°C	-20°C ~ +50°C
Storage Temperature	°C	-40°C ~ +60°C
Dimension	mm	∅ 26.3 x H10.9
Distortion		5% maximum at 1000Hz, 1.0W
Polarity		Diaphragm shall move forward when a positive DC current is applied to the "+" or "Marked" terminal
Load Test		Audio Signal Generator at 1.41 Volt Total 48hrs and 20Hz ~ 20KHz resonant frequency
Abnormal Sound Test		Must be normal tested at 1.41 Volt sine wave

Dimensions



Unit: mm

Frequency Response

