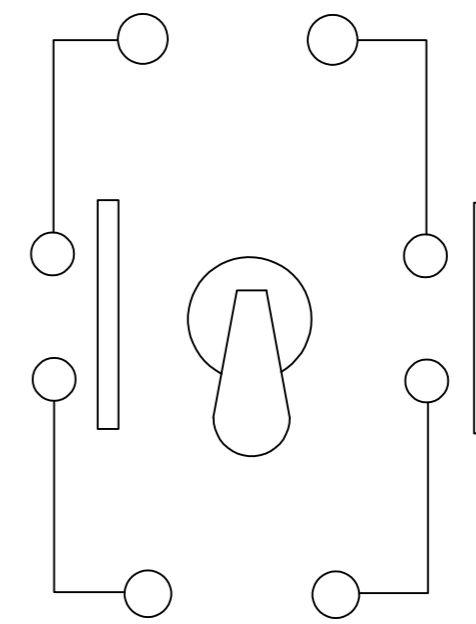
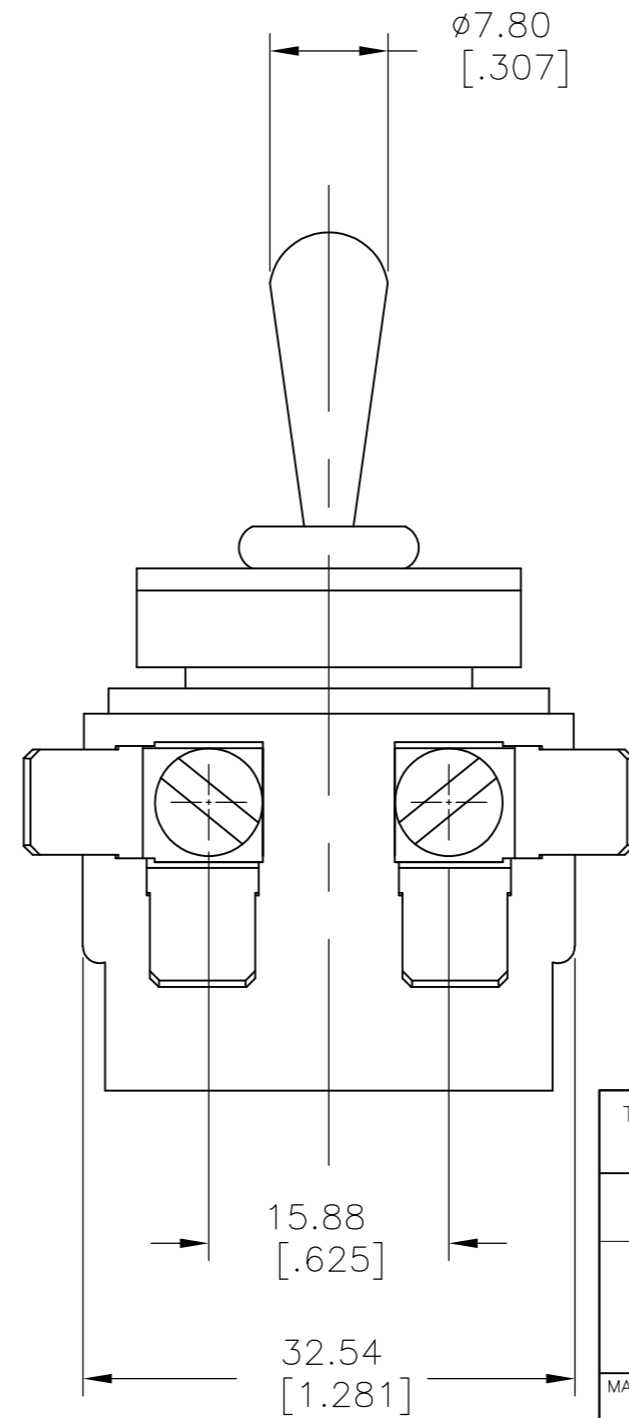
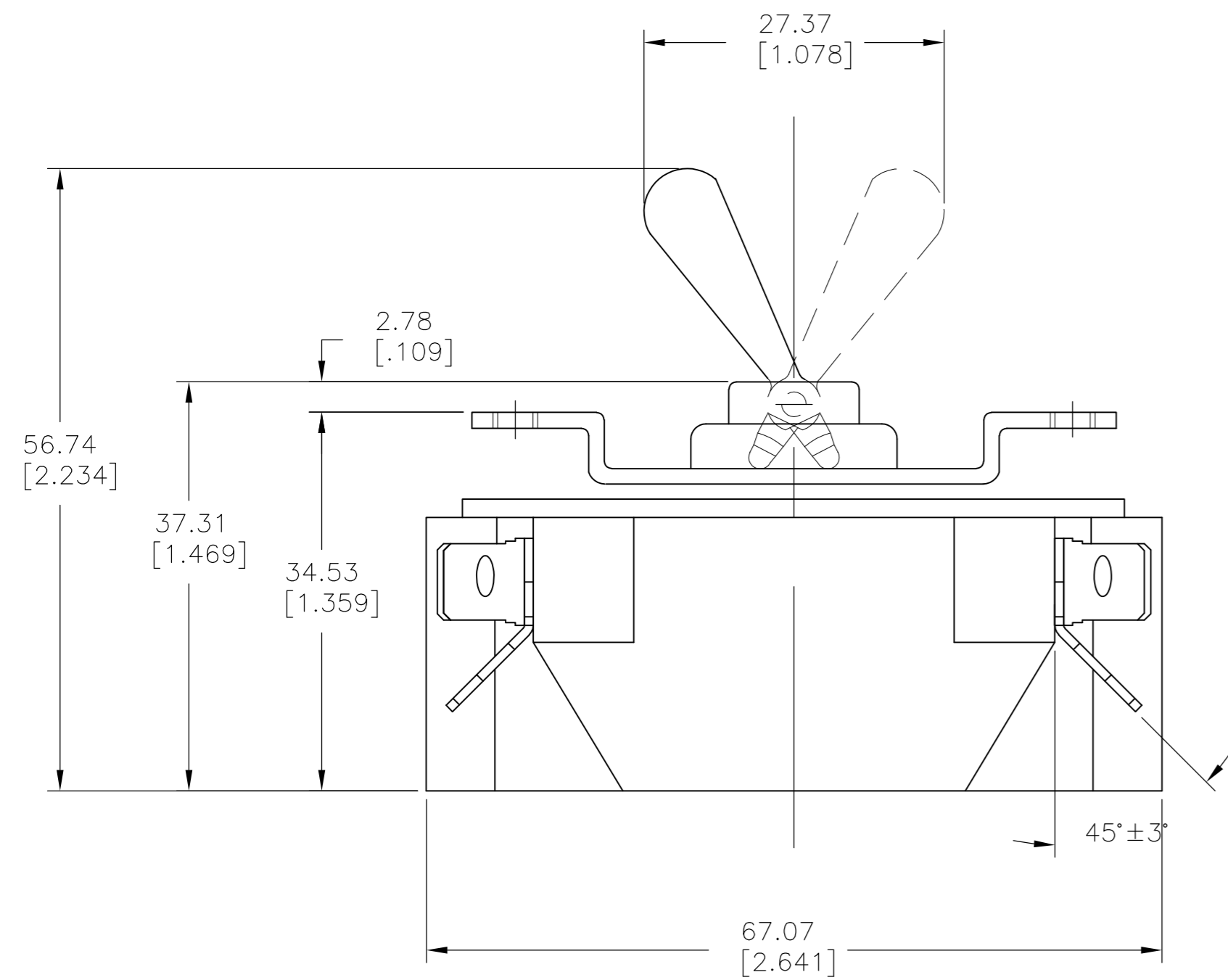
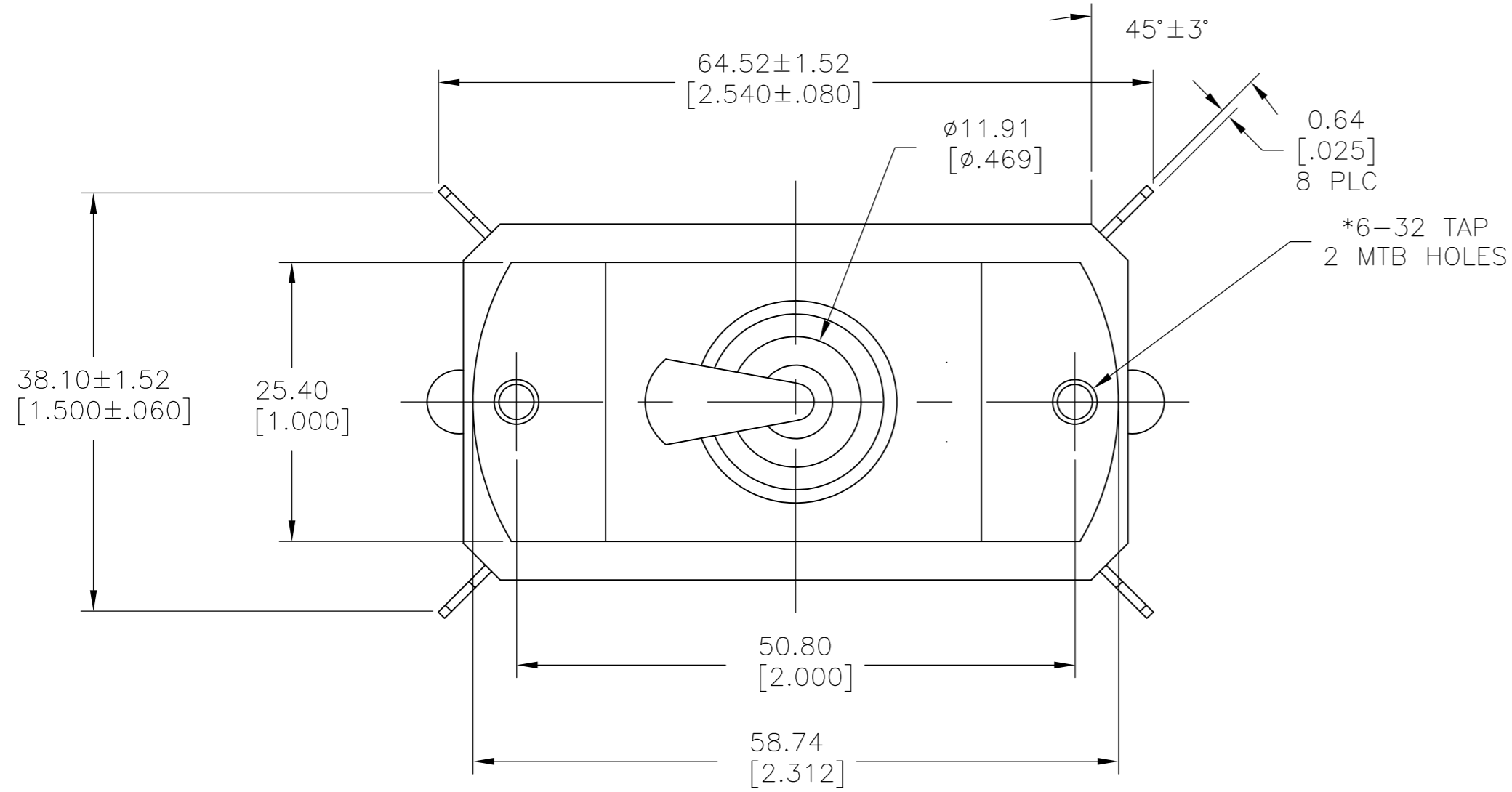


THIS DRAWING IS UNPUBLISHED. RELEASED FOR PUBLICATION  
 © COPYRIGHT - By - ALL RIGHTS RESERVED.

LOC		DIST		REVISIONS			
P	LTR	DESCRIPTION		DATE	DWN	APVD	
-	-	A	NEW DRAWING	31OCT12	KH	PO	

SPECIFICATIONS:  
 DOUBLE POLE-2 SINGLE THROW  
 20AMP 250 VOLT  
 TABS TO MEET SPECIFICATIONS FOR AMP  
 INC 250 SERIES FASTONS



CIRCUIT DIAGRAM

1520241-1  
 PART NUMBER



TE Connectivity

TOGGLE SWITCH

THIS DRAWING IS A CONTROLLED DOCUMENT.		DWN	KIRAN HOLAL	31OCT12	NAME		
DIMENSIONS: mm [INCHES]		CHK	OTT PETER	31OCT12	PRODUCT SPEC		
TOLERANCES UNLESS OTHERWISE SPECIFIED:		APVD	OTT PETER	31OCT12	APPLICATION SPEC		
0 PLC	± -	MATERIAL		WEIGHT	SIZE	CAGE CODE	DRAWING NO
1 PLC	± -	FINISH		-	A2	00779	C=1520241
2 PLC	± -	MATERIAL		-	CUSTOMER DRAWING		RESTRICTED TO
3 PLC	± -	FINISH		-	SCALE	1:1	SHEET 1 of 1
4 PLC	± -	MATERIAL		-	REV		A
ANGLES	± -	MATERIAL		-	REV		A