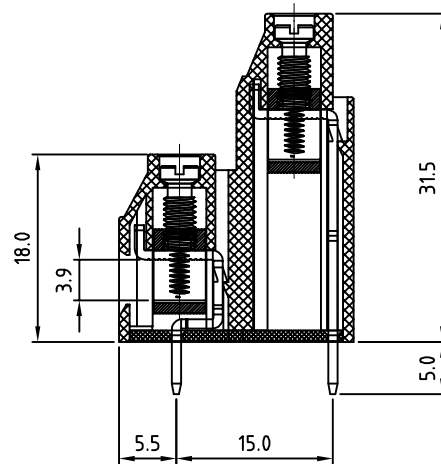
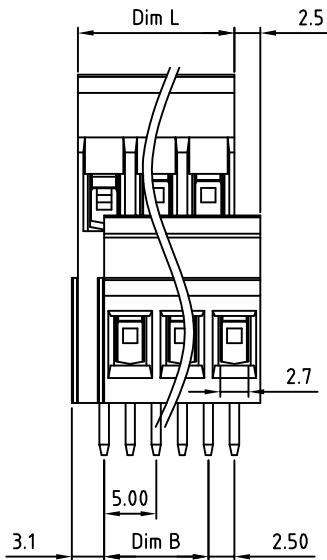
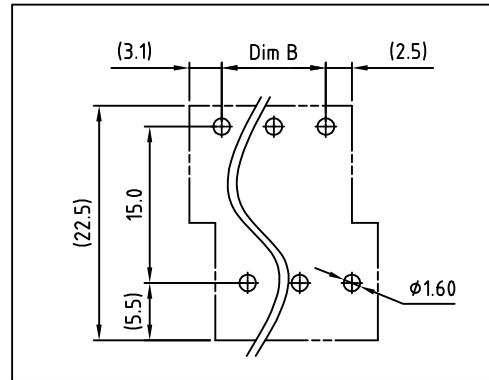
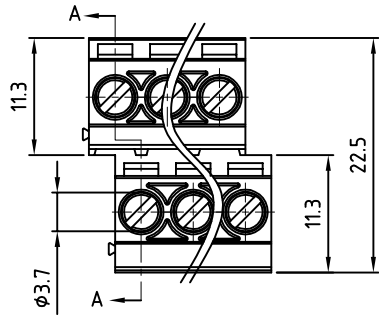


SIGN	DATE	DESCRIPTION	APPROVER
△			
THIS IS CAD DRAWING, DO NOT REVISE MANUALLY!!!			



Material

- Terminal body(metal housing): Brass(CuZn)
- Terminal screw: Steel Zinc plating "-" slot type
- Contacts: Brass, Tin plated
- Insulator (Cover): Thermoplastic (UL94V-0)
- Insulator (Body): Thermoplastic (UL94V-0)

Electrical

- Voltage rating: 300VAC
- Current rating: 20A
- Wire range:
 - Solid wire(AWG): 12-22
 - Stranded wire(AWG): 12-22
- Torque(Lb-In): 4.3
- Screw: M3
- Wire strip length: 6-7mm
- Withstanding Voltage: 1.6KV
- Operating temperature: -30°C to +105°C
- Soldering temperature: 250°C±10°C/5 Sec
- Safety Approval: US

RoHS Compliant

PART NUMBER

OSTEBXX0150

No. of Poles

- 04: 4 Poles
- 06: 6 Poles
-
- 48: 48 Poles

COLOR:

- 0: Black
- 5: Green (Standard)
- 6: Blue
- 8: Grey

THESE DRAWINGS AND SPECIFICATIONS ARE THE PROPERTY OF ON-SHORE TECHNOLOGY, INC. AND SHALL NOT BE REPRODUCED, COPIED OR USED IN ANY MANNER WITHOUT THE PRIOR WRITTEN CONSENT OF ON-SHORE TECHNOLOGY, INC.

Poles	2x2	2x3	2x4	2x5	2x6	2x7	2x8	2x9	2x10	2x11	2x12	2x13	
Dim L	10.00	15.00	20.00	25.00	30.00	35.00	40.00	45.00	50.00	55.00	60.00	65.00	
Dim B	5.00	10.00	15.00	20.00	25.00	30.00	35.00	40.00	45.00	50.00	55.00	60.00	
TOL	±0.15				±0.20							±0.25	
Poles	2x14	2x15	2x16	2x17	2x18	2x19	2x20	2x21	2x22	2x23	2x24		
Dim L	70.00	75.00	80.00	85.00	90.00	95.00	100.0	105.0	110.0	115.0	120.0		
Dim B	65.00	70.00	75.00	80.00	85.00	90.00	95.00	100.0	105.0	110.0	115.0		
TOL	±0.25				±0.30								

OST ON-SHORE TECHNOLOGY, INC.

TITLE		OSTEB 5.0mm Series With cover type	
PART NO.	OSTEBXX0150	DWG NO.	OSTEBXX0150 .DWG
APPROVED	CHECKED	DESIGNED	DRAWN
	Marvin 2007.08.11	Marvin 2007.08.06	Marvin 2007.08.06
			CUST NO.
			Tolerance
			X. ±0.50
			X.X ±0.30
			X.XX ±0.10
			X° ±1°

UNIT: mm
SCALE: NONE
SHEET: 01/03
REV.: B