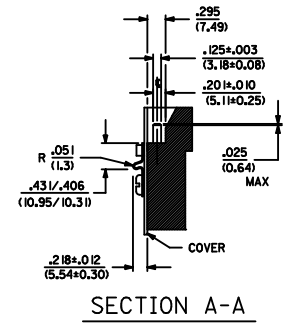
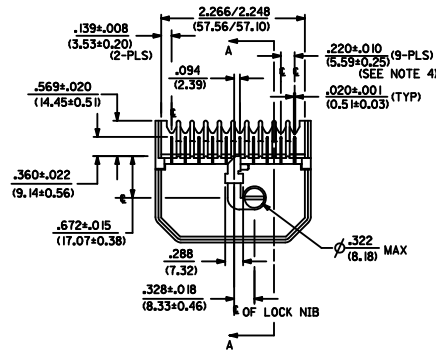


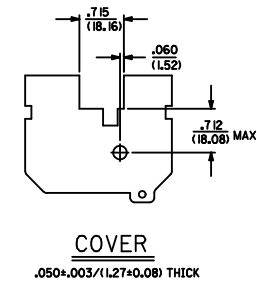
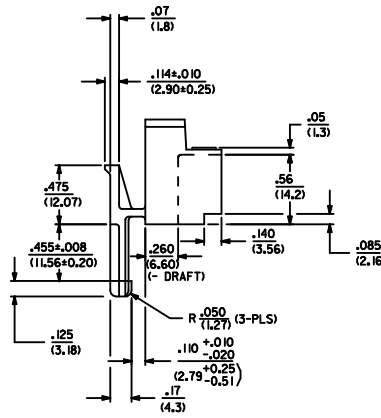
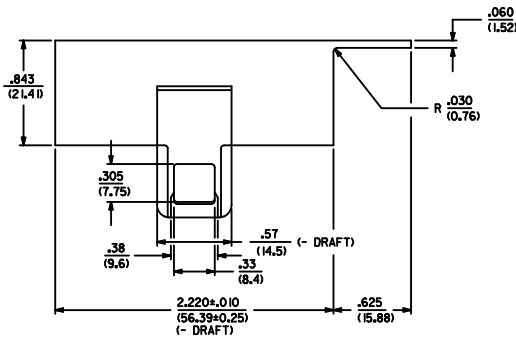
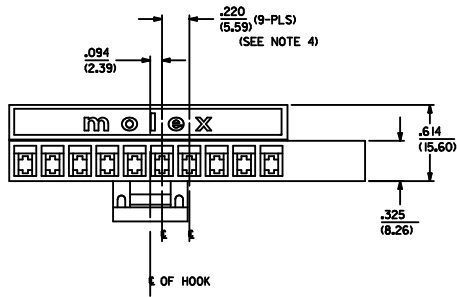
NOTES

1. THIS HOUSING IS FOR USE WITH TERMINALS:
- ENG. NO. 1508-0009.
2. UNLESS OTHERWISE SPECIFIED, ALL RADII TO BE
.025/(0.64).
3. MATERIAL : NYLON 6/6,94V-2. COLOR : NATURAL
(WHITE/TRANSLUCENT).
4. TOLERANCE IS NOT CUMULATIVE.
5. PRODUCT SPECIFICATION : NONE.



MOTOR SWITCH

SCALE 1:1



REVISE PS (NOTE #5) EEC NO. UCP2011-3555 DRAWN: AELHAG 2011/05/16 CHECKED: JBELL 2011/05/16 APPROVED: FSWITH 2011/06/07	QUALITY SYMBOLS	GENERAL TOLERANCES (UNLESS SPECIFIED)	DIMENSION STYLE	SCALE	DESIGN UNITS	THIRD ANGLE PROJECTION	
	∇=0 ∇=0 ∇=0	mm INCH 4 PLACES ±.010 ±.010 3 PLACES ±.025 ±.014 2 PLACES ±.035 ±.014 1 PLACE ±.035 ±.014 ANGULAR ±1/2°	IN/MM 2:1 INCH	DRAWN BY DATE AELHAG 2011/05/16 CHECKED BY DATE JBELL 2011/05/16 APPROVED BY DATE	TITLE HOUSING,CONNECTOR FOR MOTOR SWITCH APPLICATION	MOLEX INCORPORATED	SHEET NO. 1 OF 1
	DRAFT WHERE APPLICABLE MUST REMAIN WITHIN DIMENSIONS	MATERIAL NO. 006-02-3103	DOCUMENT NO. SD-6313-1-10	MOLEX INCORPORATED			
	THIS DRAWING CONTAINS INFORMATION THAT IS PROPRIETARY TO MOLEX INCORPORATED AND SHOULD NOT BE USED WITHOUT WRITTEN PERMISSION						