

MATERIALS AND FINISHES:

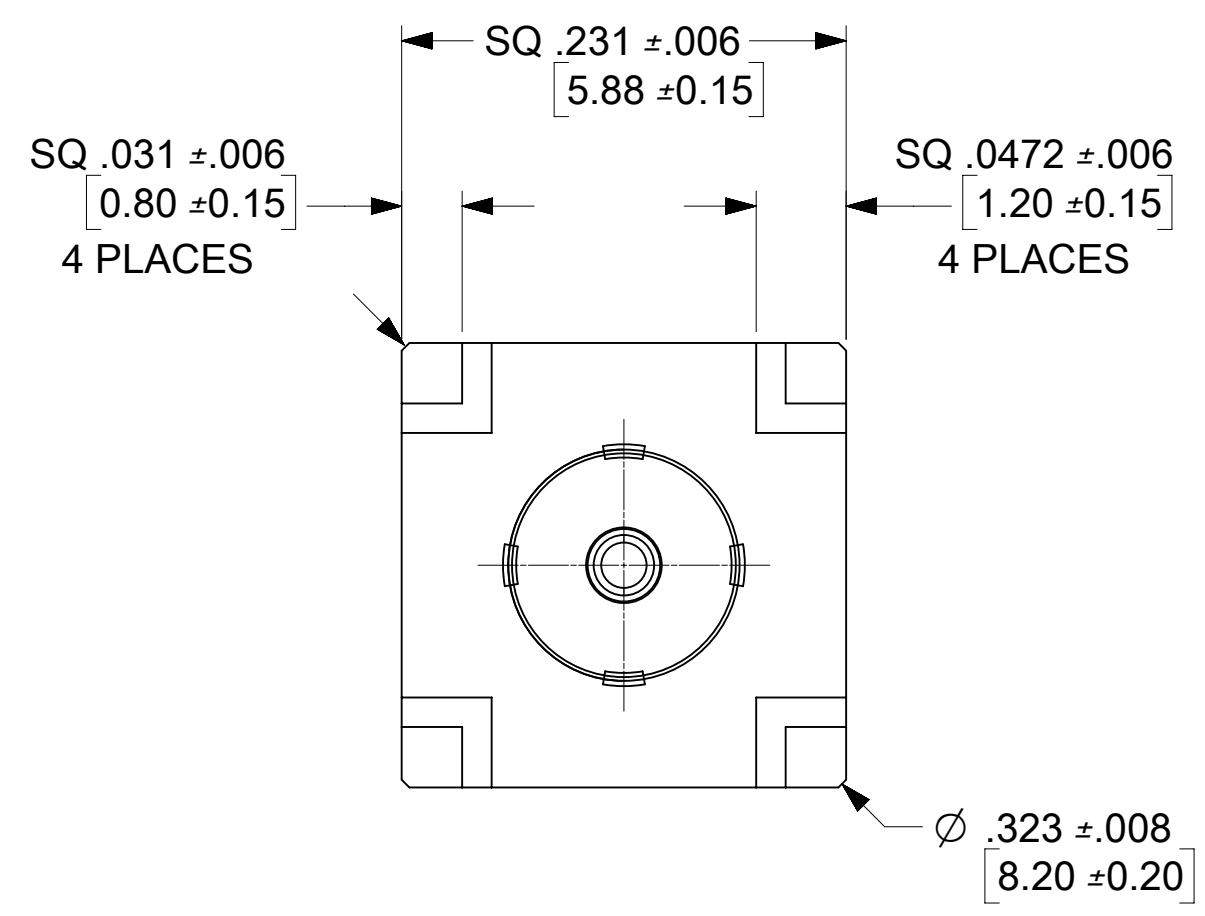
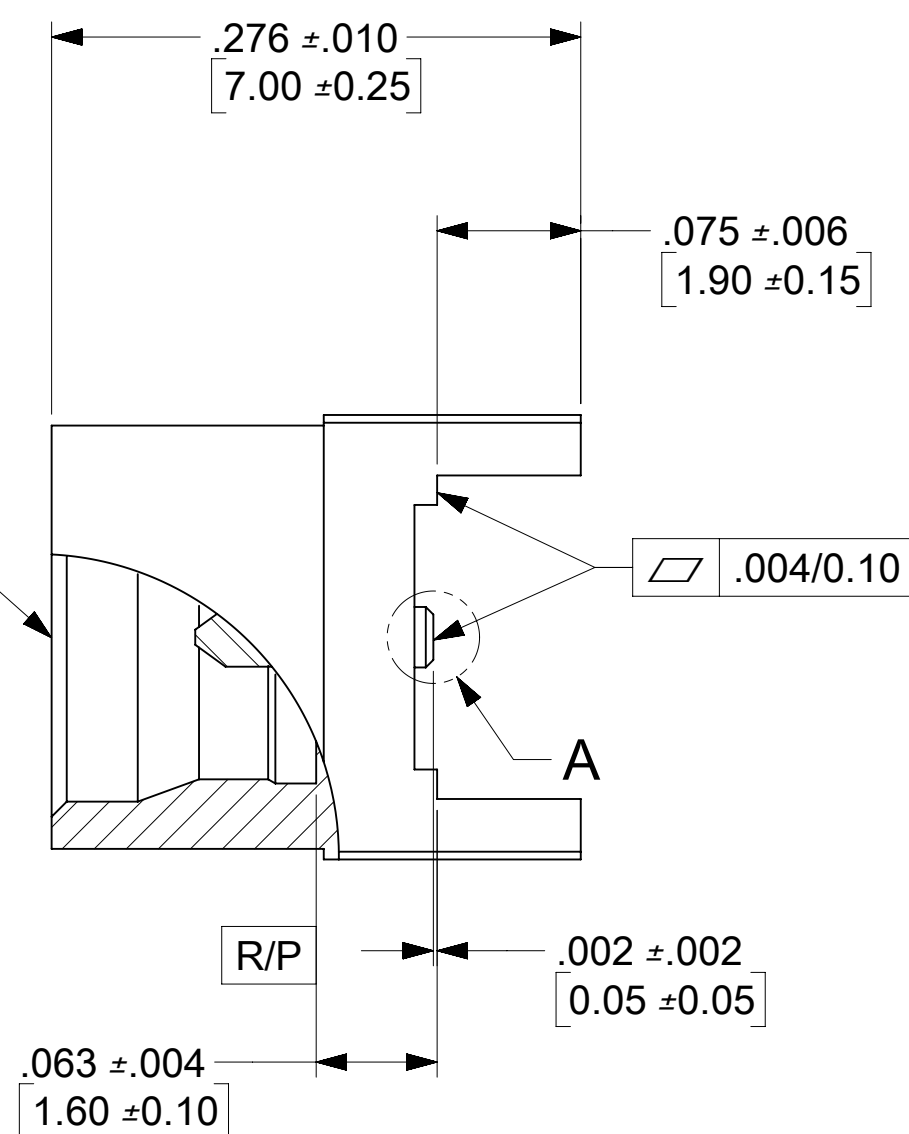
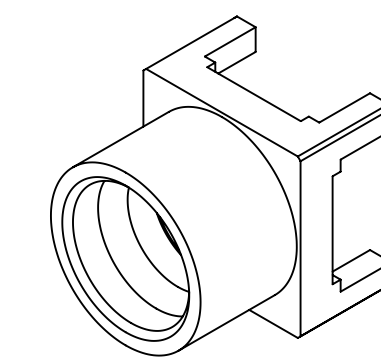
BODY: BRASS
 PLATED: GOLD (1 u-in MIN) OVER.
 NICKEL PHOSPHOR (80 u-in MIN).

CONTACT: BRASS
 PLATED: GOLD (8 u-in MIN) OVER.
 NICKEL PHOSPHOR (80 u-in MIN).

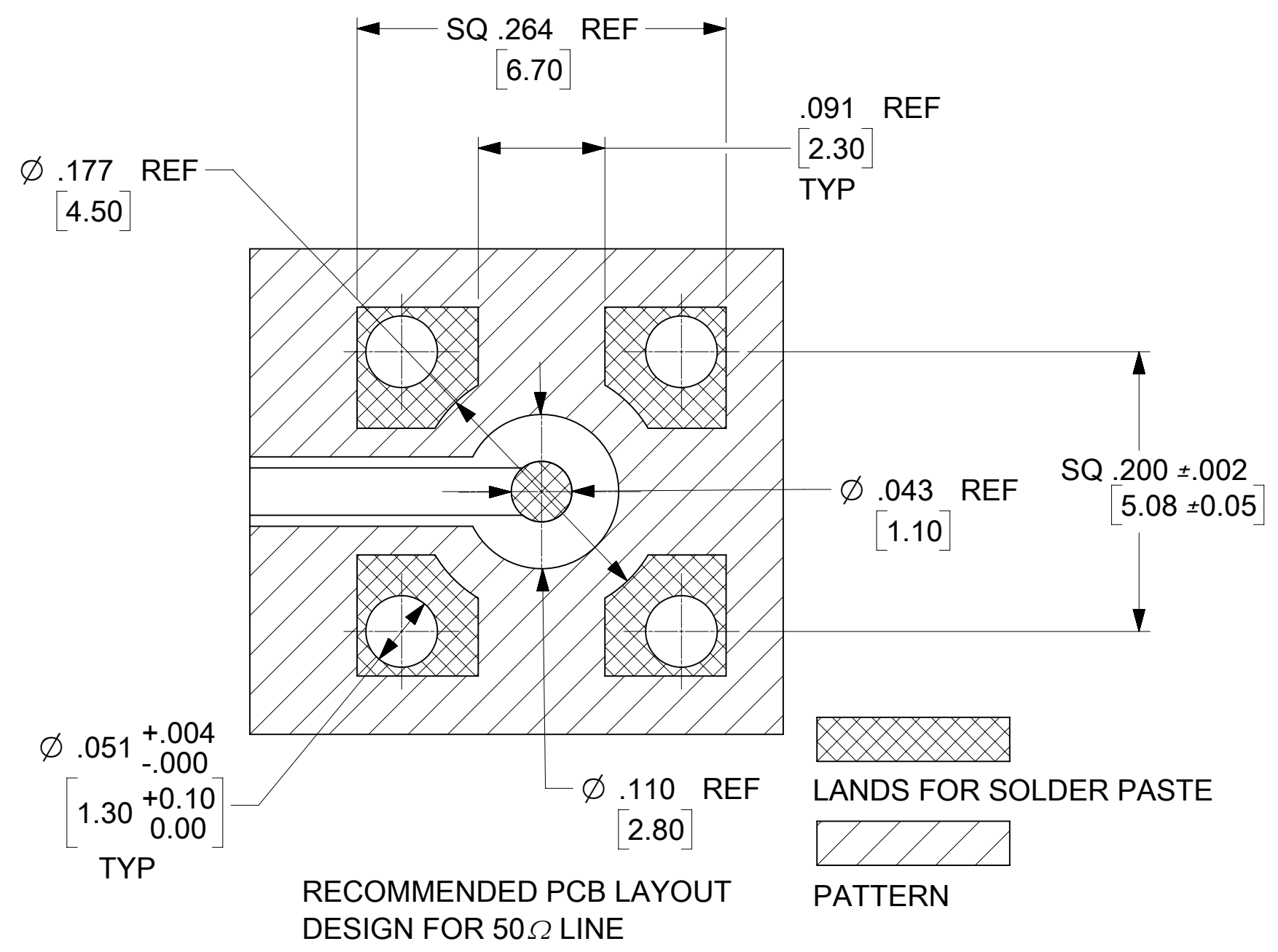
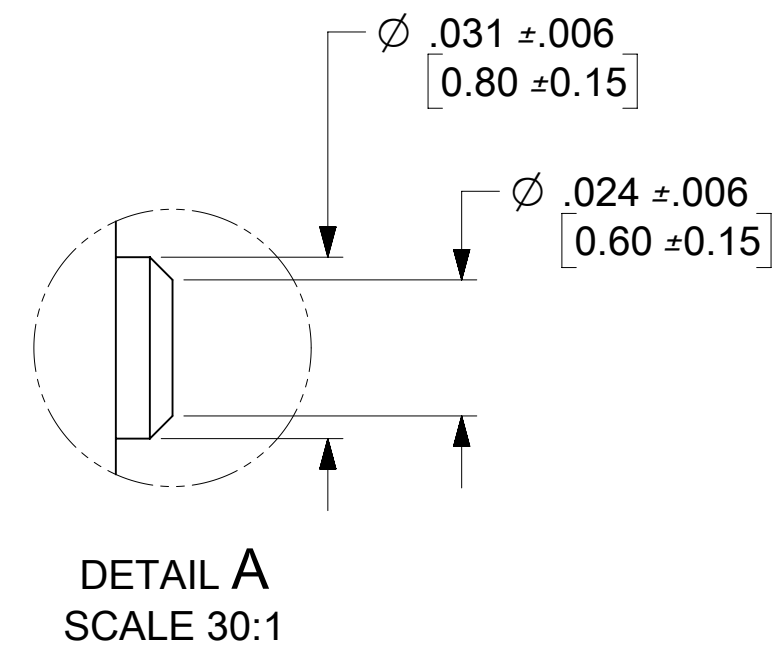
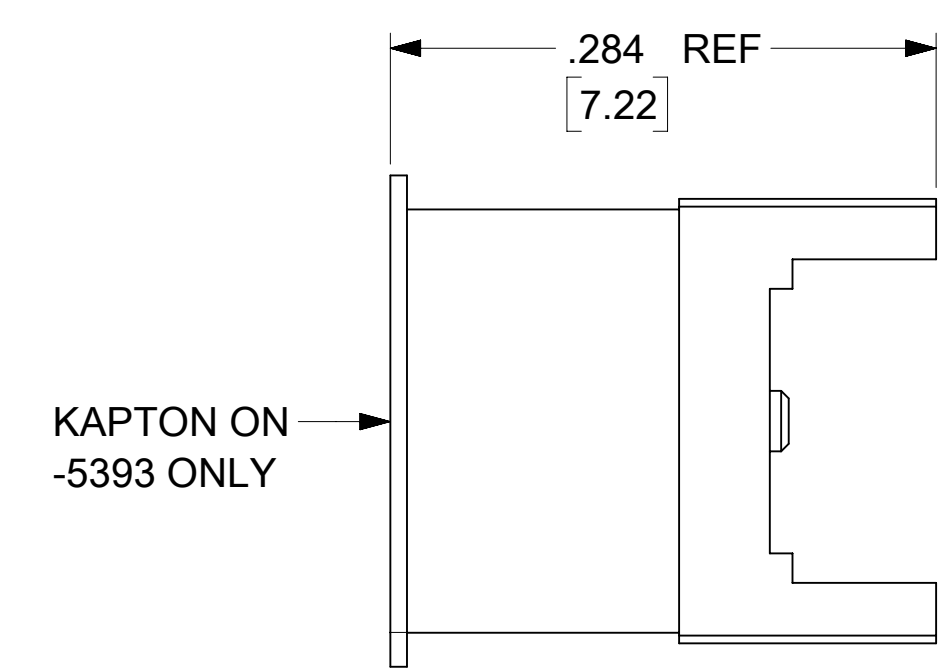
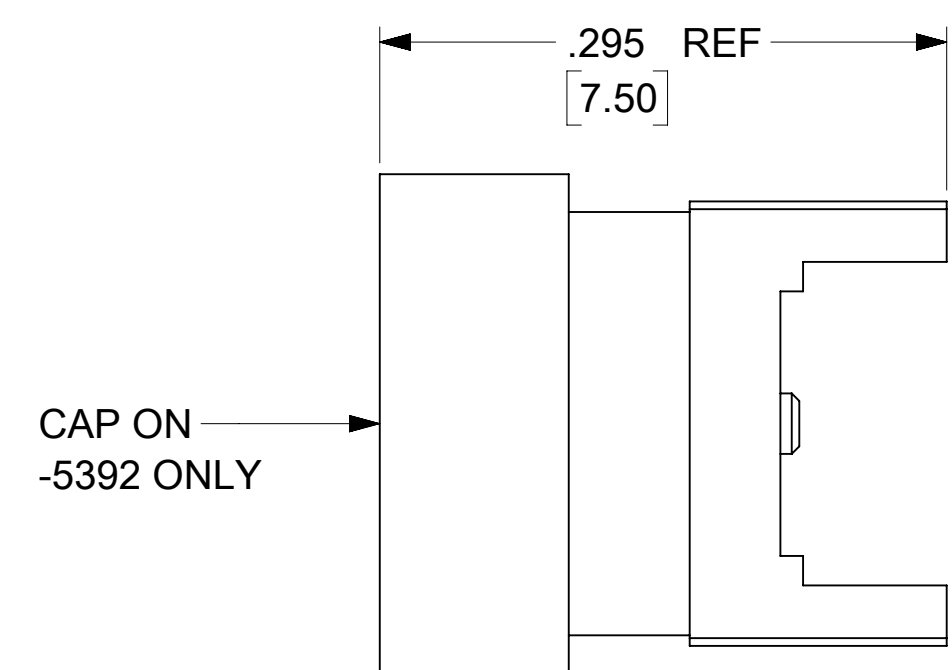
INSULATOR: PTFE

CAP: PTFE ON -5392 ONLY.

KAPTON TAPE DOT: POLYIMIDE FILM
 ON -0403 ONLY



NO CAP &
 KAPTON ON
 -5390
 -5391
 -5394



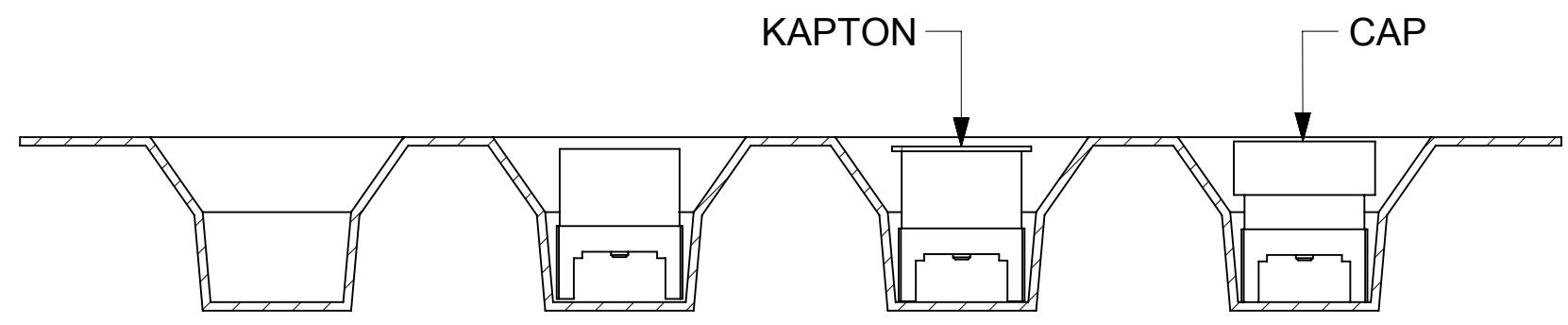
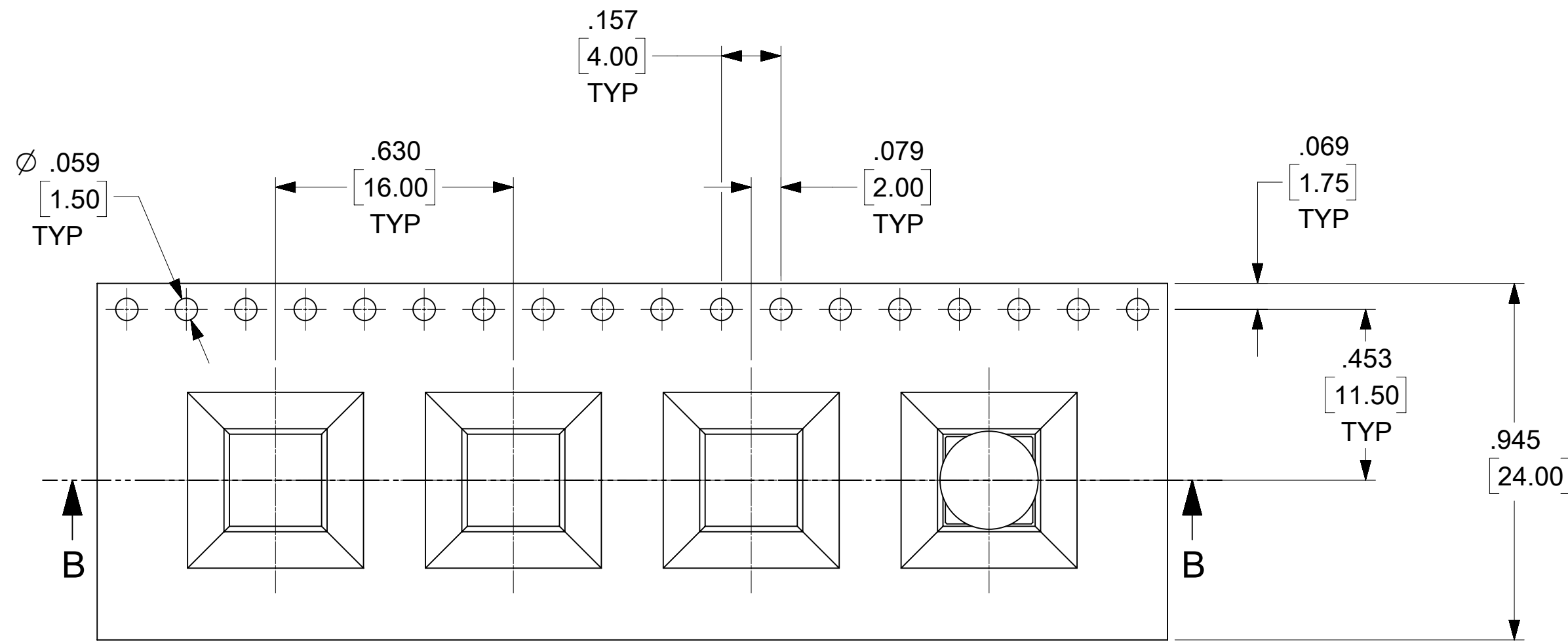
73420-5394	TAPE AND REEL ONLY (500 PCS PER REEL)
73420-5393	TAPE AND REEL WITH KAPTON (500 PCS PER REEL)
73420-5392	TAPE AND REEL WITH CAP (500 PCS PER REEL)
73420-5391	80 PCS PER TRAY (NO CAP AND KAPTON)
73420-5390	ONE PER BAG (NO CAP AND KAPTON)
PART NO.	DESCRIPTION

PS-89675-3760	ELEC/MECH PERFORMANCE SPECIFICATION
SPECIFICATION	DESCRIPTION

C1	2018/4/17	ADD TOLERANCE PER EWR #12018-A
REV	DATE	DESCRIPTION

THIS DRAWING CONTAINS INFORMATION THAT IS PROPRIETARY TO MOLEX ELECTRONIC TECHNOLOGIES, LLC AND SHOULD NOT BE USED WITHOUT WRITTEN PERMISSION

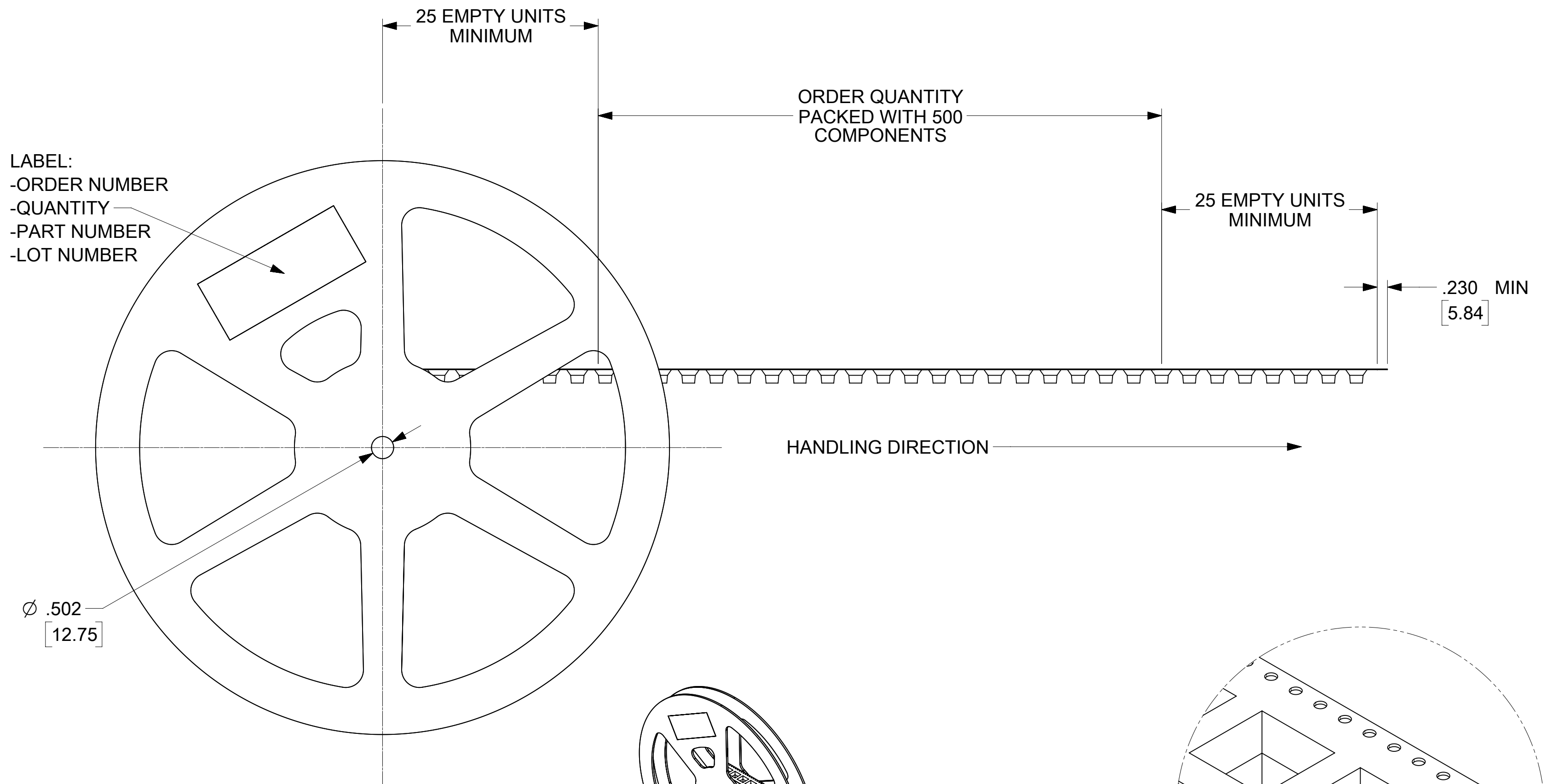
DIMENSION UNITS: HYBRID	SCALE: NTS	CURRENT REV DESC:	molex
GENERAL TOLERANCES (UNLESS SPECIFIED):	EC NO: 175577	DRWN: RYEH 2018/04/17	
ANGULAR TOL ± °	DRWN: YCHENG 2018/05/07	CHK'D: YCHENG 2018/05/07	SMP-MAX PLUG STR DETENT PCB TH SIGNAL SMT SMPMAX-P/PCB
4 PLACES ±	APPR: YCHENG 2018/05/07	INITIAL REVISION:	PRODUCT CUSTOMER DRAWING
3 PLACES ±	DRWN: BBHARADWAJD 2015/07/03	DRWN: BBHARADWAJD 2015/07/03	DOCUMENT NUMBER: SD-73420-539
2 PLACES ±	APPR: AROBERTSON 2015/07/03	APPR: AROBERTSON 2015/07/03	DOC TYPE: PSD
1 PLACE ±	DRAFT WHERE APPLICABLE MUST REMAIN WITHIN DIMENSIONS	THIRD ANGLE PROJECTION	DOC PART: 000
0 PLACES ±	C-SIZE	SERIES: 73420	REVISION: C1
MATERIAL NUMBER: SEE TABLE	CUSTOMER: GENERAL MARKET	SHEET NUMBER: 1 OF 3	



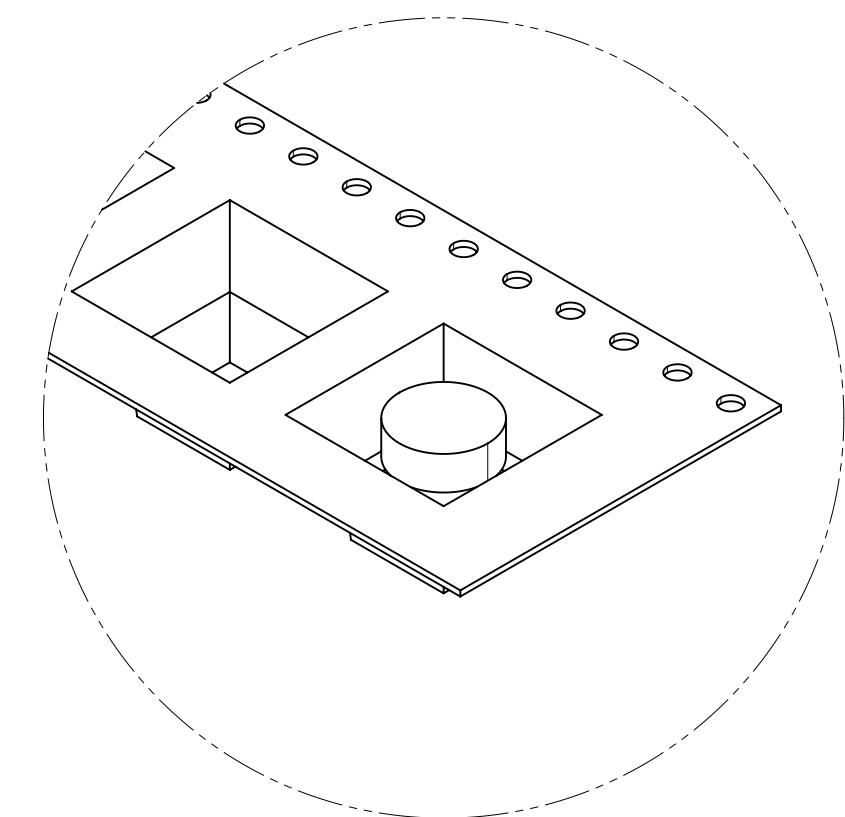
SECTION B-B

THIS DRAWING CONTAINS INFORMATION THAT IS PROPRIETARY TO MOLEX ELECTRONIC TECHNOLOGIES, LLC AND SHOULD NOT BE USED WITHOUT WRITTEN PERMISSION									
DIMENSION UNITS		SCALE		CURRENT REV DESC:				molex	
HYBRID		NTS							
GENERAL TOLERANCES (UNLESS SPECIFIED)				EC NO: 175577				SMP-MAX PLUG STR DETENT PCB TH SIGNAL SMT SMPMAX-P/PCB	
ANGULAR TOL		± °		DRWN: RYEH		2018/04/17			
4 PLACES		±		CHK'D: YCHENG		2018/05/07			
3 PLACES		±		APPR: YCHENG		2018/05/07		PRODUCT CUSTOMER DRAWING	
2 PLACES		±		INITIAL REVISION:				DOCUMENT NUMBER	
1 PLACE		±		DRWN: BBHARADWAJD		2015/07/03		SD-73420-539	
0 PLACES		±		APPR: AROBERTSON		2015/07/03		DOC TYPE	DOC PART
DRAFT WHERE APPLICABLE MUST REMAIN WITHIN DIMENSIONS		THIRD ANGLE PROJECTION		DRAWING	SERIES	MATERIAL NUMBER	CUSTOMER		SHEET NUMBER
				C-SIZE	73420	SEE TABLE	GENERAL MARKET		2 OF 3

DOCUMENT STATUS	P1	RELEASE DATE	2018/05/07	01:13:21
-----------------	----	--------------	------------	----------



FOR 73420-5392 & -5393 & -5394



DETAIL C
SCALE 5:2

THIS DRAWING CONTAINS INFORMATION THAT IS PROPRIETARY TO MOLEX ELECTRONIC TECHNOLOGIES, LLC AND SHOULD NOT BE USED WITHOUT WRITTEN PERMISSION									
DIMENSION UNITS		SCALE		CURRENT REV DESC:					
HYBRID		NTS							
GENERAL TOLERANCES (UNLESS SPECIFIED)									
ANGULAR TOL		± °		EC NO: 175577					
4 PLACES		±		DRWN: RYEH 2018/04/17					
3 PLACES		±		CHK'D: YCHENG 2018/05/07					
2 PLACES		±		APPR: YCHENG 2018/05/07					
1 PLACE		±		INITIAL REVISION:					
0 PLACES		±		DRWN: BBHARADWAJD 2015/07/03					
				APPR: AROBERTSON 2015/07/03					
DRAFT WHERE APPLICABLE MUST REMAIN WITHIN DIMENSIONS				THIRD ANGLE PROJECTION		DRAWING		SERIES	
						C-SIZE		73420	
DOCUMENT STATUS				DOC TYPE		DOC PART		REVISION	
P1				PSD		000		C1	
RELEASE DATE				MATERIAL NUMBER		CUSTOMER		SHEET NUMBER	
2018/05/07 01:13:21				SEE TABLE		GENERAL MARKET		3 OF 3	