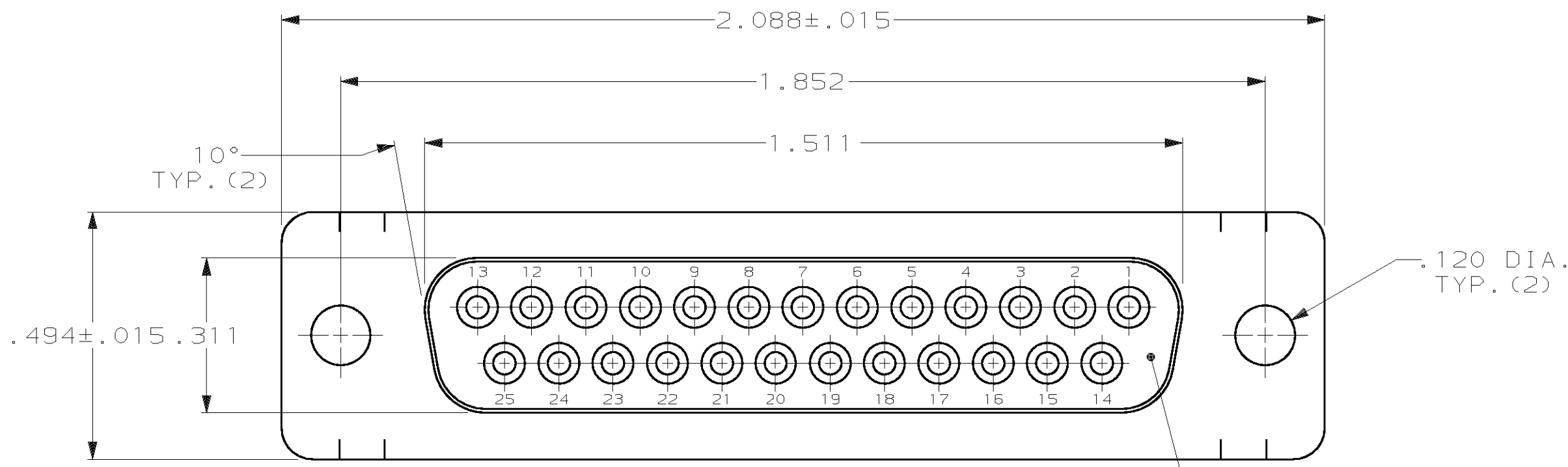
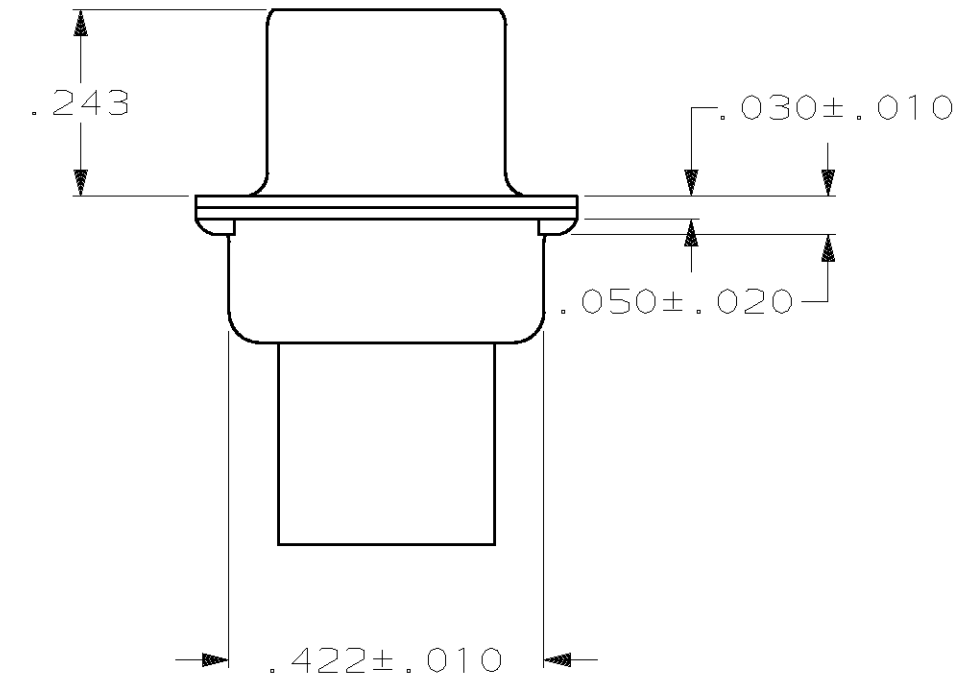
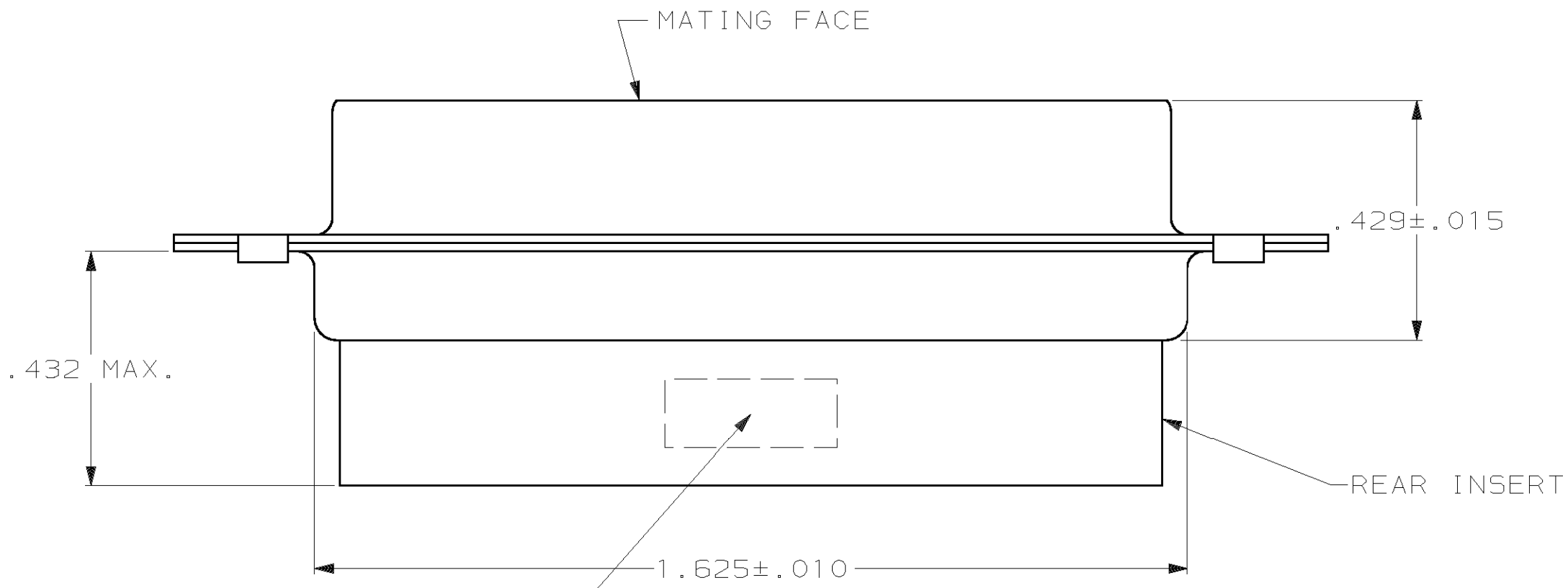


LOC		DIST		REVISIONS			
ZONE	LTR	DESCRIPTION	DATE	APPD			
BD	48			H1	ADDED -4 PER NPR 4837	06/14/93	SB
				J	OBSOLETE -3 AND REV PER EC OU1D-0248-00	27 OCT 00	JK



- CONNECTOR ACCEPTS SIZE 20 DF SOCKET CONTACTS, RETENTION TINES ARE AN INTEGRAL PART OF INSERT.
- CONNECTOR COMPLIES WITH AMP SPEC. 108-40,005 WHERE APPLICABLE.
- FLAME RETARDANT 94V-0 RATED GLASS FILLED NYLON, COLOR: SEE TABLE.
- STEEL PER ASTM A109.
- ZINC PLATED PER ASTM B633; TYPE II; CLASS SC1; YELLOW CHROMATE.



"AMP", PART NO. & DATE CODE, MARKED IN AREA INDICATED, ON FAR SIDE

OBSOLETE	SMALL PACK	BLACK	205207-4
	STANDARD	BLUE	205207-3
	STANDARD	BLACK	205207-1
	PACKAGING TYPE	INSERTS COLOR	PART NUMBER

DO NOT SCALE PRINT. UNLESS SPECIFIED DIMENSION IN INCHES. TOLERANCES ON : 2 PLC DEC ± - 3 PLC DEC ± .005 ANGLES ± 2°	DR 7-19-85 5.WELDON	AMP Incorporated Harrisburg, PA 17105-3608	
	CHK 7-19-85 J.GERACE		
MATERIAL	APPD 7-29-85 L.BREKOSKY	NAME	
INSERTS:	APPD 7-31-85 V.KUMAR	RECEPTACLE CONNECTOR, SIZE 3, 25 POS., AMPLIMITE™HDP	
SHELLS:	PRODUCT SPEC		
FINISH	APPLICATION SPEC	SIZE	CAGE CODE
SHELLS:	-		00779
	WEIGHT	SCALE	DRAWING NO
	-	NTS	C=205207
			SHEET
			1 OF 1

THIS DRAWING IS A CONTROLLED DOCUMENT FOR AMP INCORPORATED. IT IS SUBJECT TO CHANGE AND THE CONTROLLING ENGINEERING ORGANIZATION SHOULD BE CONTACTED FOR THE LATEST REVISION.