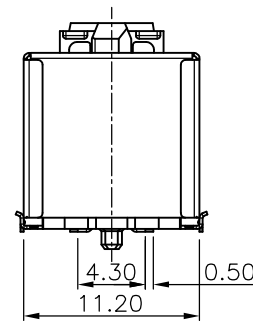
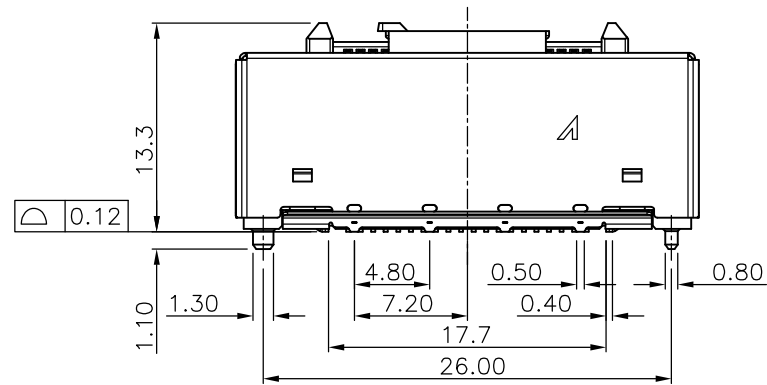
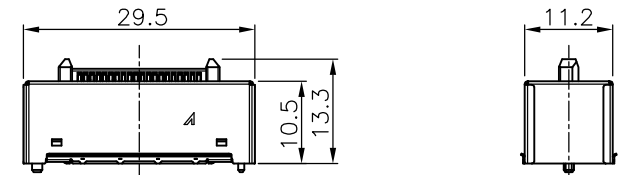


NOTES:

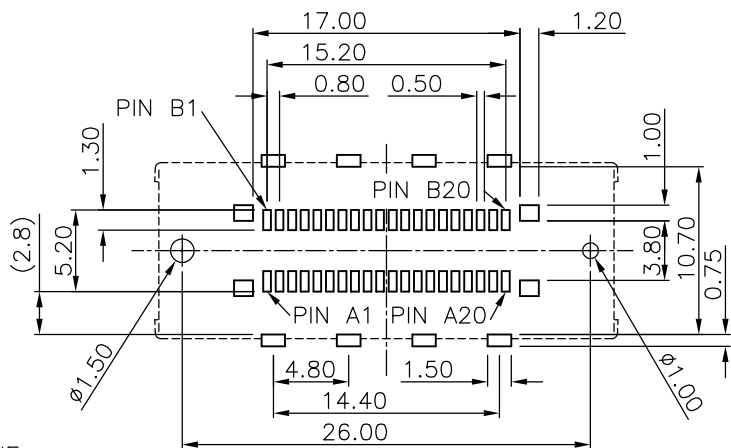
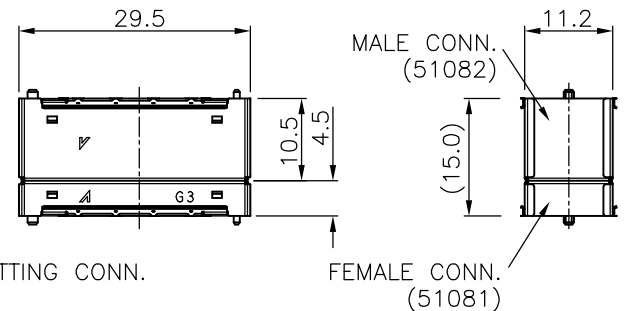
1. MATERIAL:
 - 1.1 HOUSING:THERMOPLASTIC, HIGH TEMP., UL94V-0; COLOR:BLACK.
 - 1.2 COVER:THERMOPLASTIC, HIGH TEMP., UL94V-0; COLOR:WHITE.
 - 1.3 CONTACT:COPPER ALLOY
 - 1.4 FITTING NAIL:COPPER ALLOY
 - 1.5 SHELL:SUS
2. FINISH:
 - CONTACT:SEE ORDER INFORMATION.
 - UNDERPLATING: 50~100u" NICKEL OVERALL.
3. REFLOW SOLDER CAPABLE TO 260°C PER ACES SPEC.
4. SPEC. PLS. REFER TO PS-51079-xxxxx-xxx
5. PACKAGE PLS. REFER TO 51080-xxxCR-00
6. MATING CONNECTOR P/N:51081-xxxxx-xxx
7. PART NUMBER
51082-XXX X X-001



STEEL ASSEMBLY DIMENSIONS
Scale 1:1



MATING CONN.



PROPOSAL DRAWING

RECOMMEND PCB LAYOUT
GENERAL TOLERANCE ±0.05

PIN DEFINE

Pin	1	2	3	4	5	6	7	8	9	10	11	12	13	14	15	16	17	18	19	20
SIDE A	G	G	S	S	G	G	S	S	G	G	S	S	G	G	S	S	G	G	-	-
SIDE B	-	-	G	G	S	S	G	G	S	S	G	G	S	S	G	G	S	S	G	G

QUALITY SYMBOLS MAJOR Ⓢ CRITICAL Ⓢ	DRAWN BY CHEN CHUN YUAN 20/05/08	DATE 20/05/08	
GENERAL TOLERANCES (UNLESS SPECIFIED) X. ±0.5 .X ±0.25 .XX ±0.15 .XXX ±0.1 ANGLES ±2°	CHECKED BY TSO I HUNG 20/05/08	DATE 20/05/08	
	APPROVED BY WANG CHUN SHENG 20/05/08	DATE 20/05/08	SIZE A4
	UNITS mm	SCALE 2:1	RFO NO. N/A
	SHEET NO. 2 OF 2	REV 1	DWG NO. 51082-xxxxx-xxx