

| | | | | |
|------------|---------|------------|------------|---------------|
| 記號 MARK | ECN NO. | 日期 DATE | 修改 DRAW | 核准 APPROVE |
| | | | | |
| | | | | |

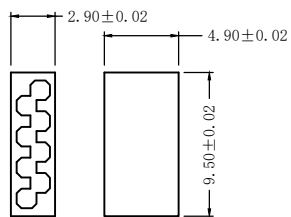
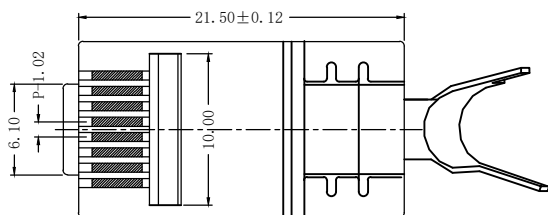
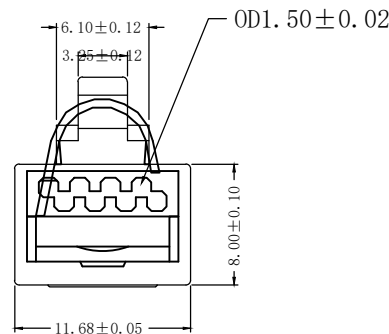
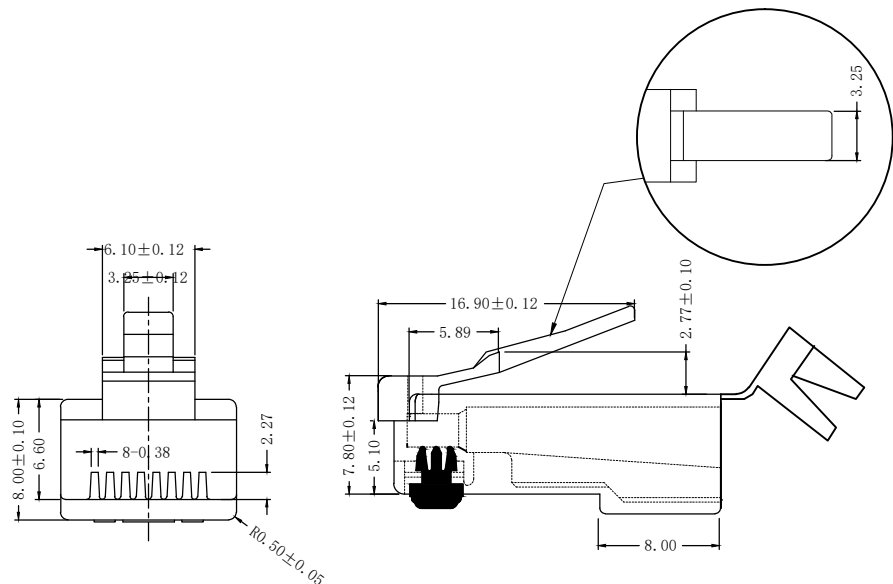
FEATURES:

1 Electrical Test:

- A. Safety Voltage/Current Rating 150V ac, at 1.5A.
- B. Dielectric with standing 1000V/DC/min, <0.5A.
- C. Insulation Resistance: >500M Ω, 1000V./min
- D. Contact Resistance: <20M Ω

2 Mechanical:

- A. Cable-to-Plug tensile strength-20LBs (89N) min.
- B. Durability: 750 mating cycles.
- 3 Operation Temperature: -40°C ~ +85°C.
- 4. Environmental compliance
- A. the products are compliant with the RoHS, and REACH ETC.
- 5. Safety standards: UL E239590



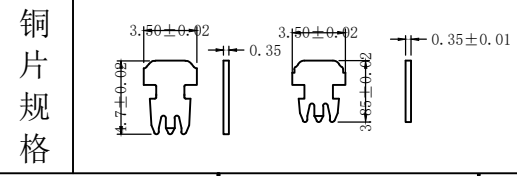
排线支架



EASE ELECTRONICS CO., LIMITED

| | | | | | |
|---|------------------------------------|------------|-------------|-------------|------------|
| 品名规格 DESCRIPTION | CONN MOD PLUG 8P8C UNSHIELDED CAT7 | | | 页次 SHEET | 1/1 |
| 产品编号 PRODUCT NO | RJ45-7C | 单位 UNIT | mm | 比例 SCALE | 1:1 |
| | | | | 版本 EDITI | A/0 |
| DIMENSION IN mm (Inch) TOLERANCE UNLESS OTHERWISE SPECIFIED | 第三视角法 THIRD ANGLE PROJECTION | | 制图 DRAWN | 王辉 | 日期 DATE |
| x, x ±0.2 | | | 日期 DATE | 2022.07.21 | 日期 DATE |
| x, xx ±0.1 | | | 日期 DATE | 2022.07.21 | 日期 DATE |
| x, xxx ±0.05 | | | 批准 APPRO | 夏赞华 | 日期 DATE |

| | | |
|--|---|--|
| <input type="checkbox"/> 屏蔽壳 Shell | <input type="checkbox"/> 黄铜 Brass | <input type="checkbox"/> 铁 Spcc |
| Au: <input type="checkbox"/> G/F" <input type="checkbox"/> 1u" <input type="checkbox"/> 3u" <input type="checkbox"/> Ni <input type="checkbox"/> 80u" | | |
| 胶壳 PC(聚碳酸酯) <input type="checkbox"/> 94-V0 <input checked="" type="checkbox"/> 94-V2 | 1 | |
| 金片 (PIN针) Contacts | <input checked="" type="checkbox"/> 黄铜 Brass | <input type="checkbox"/> 磷铜 Phosphor copper |
| <input type="checkbox"/> G/F" <input type="checkbox"/> 1u" <input type="checkbox"/> 3u" <input type="checkbox"/> 6u" <input type="checkbox"/> 15u" <input type="checkbox"/> 30u" <input type="checkbox"/> 50u" <input type="checkbox"/> S" | 8 | |



铜片规格