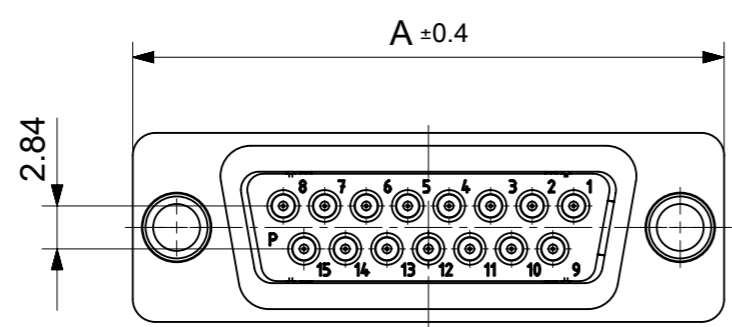
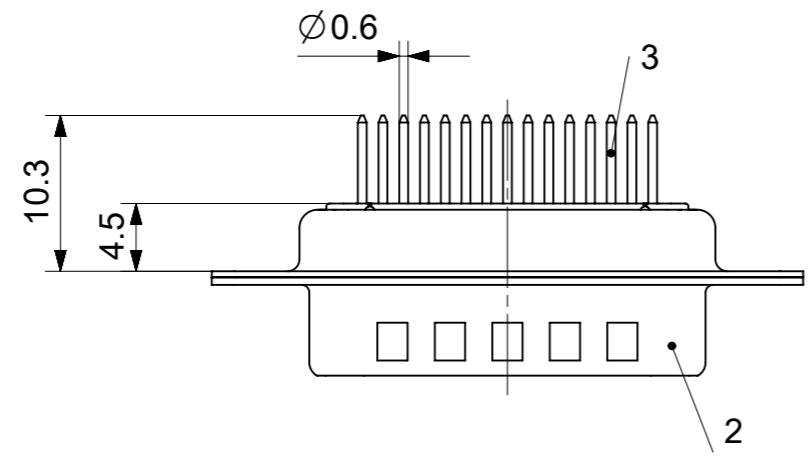
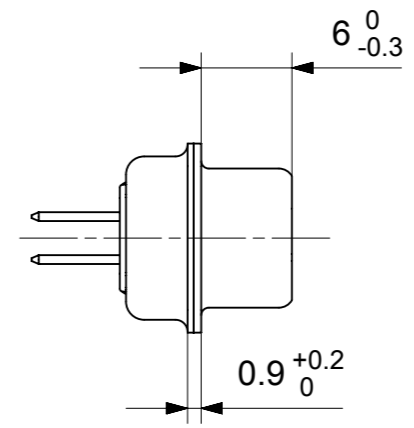
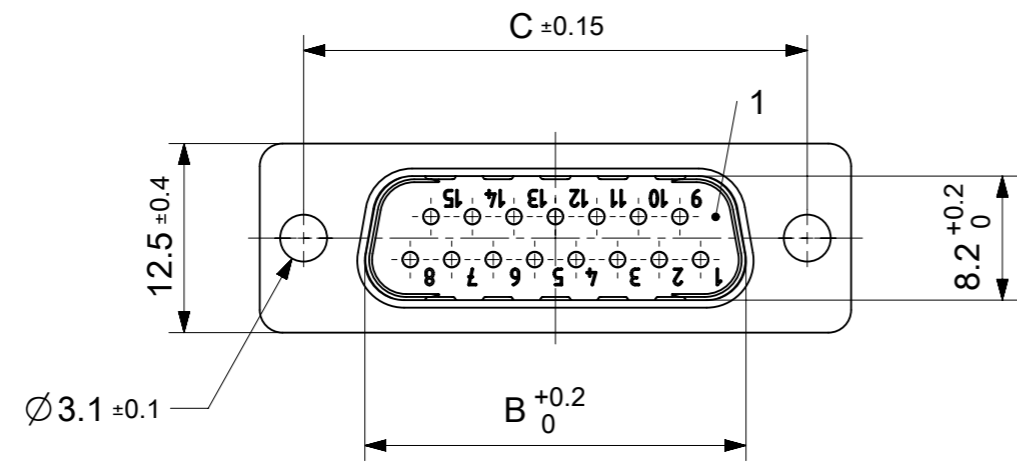


RoHS compliant  
by exemption



FCT Part number:  
Fxx\*1)P1G1A  
e.g. F15P1G1A  
\*1) xx No. of contacts 09, 15, 25 or 37

Material Number	xx*1)	A[mm]	B[mm]	C[mm]	*E[mm]
1731090641	09	30.8	16.9	25	Ø1
1731090699	15	39.1	25.2	33.3	
1731090709	25	53	38.9	47.04	
1731090719	37	69.3	55.3	63.5	

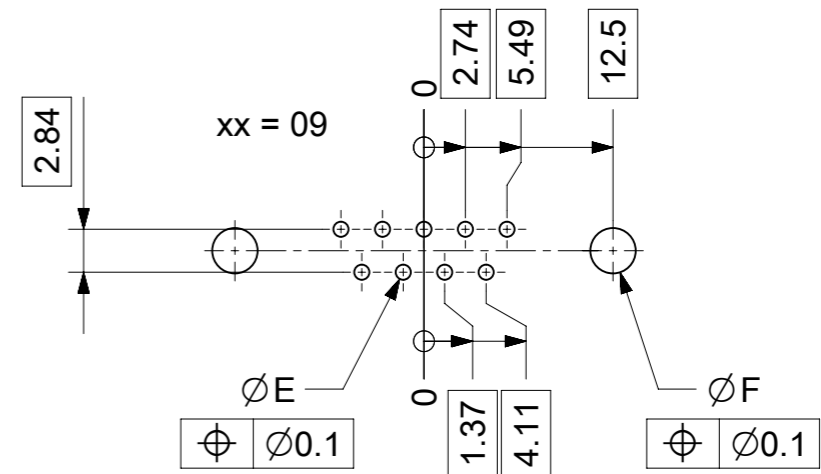
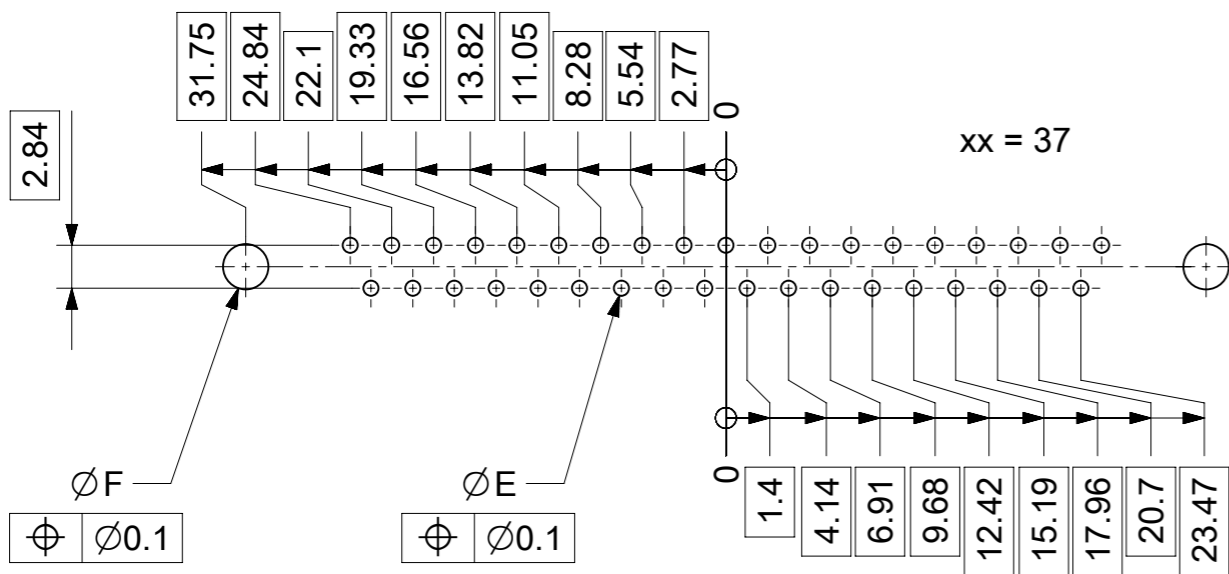
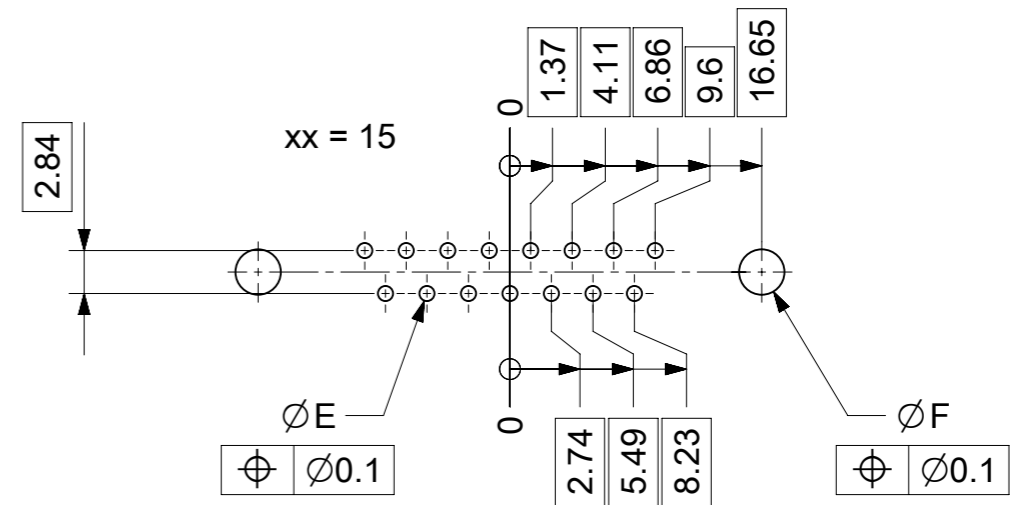
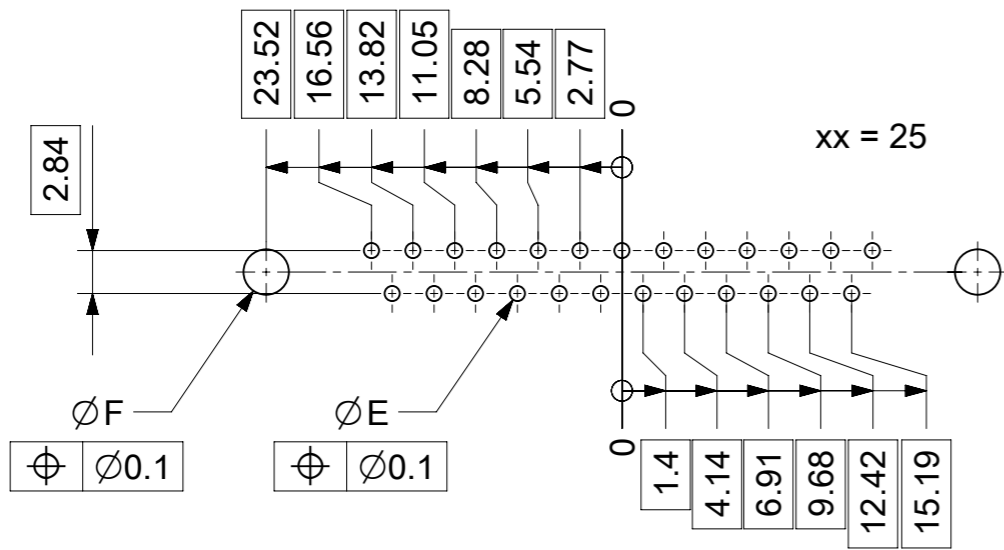
\*PCB hole patterns ØE see document 2195600023

3	xx	Signal contact	P1 / Brass	AuroPur
2	1	Shell	Steel	tin plated
1	1	Insulator	PBT (-55°C to +125°C) acc. UL94V-0	white
No.	Pc.	Part	Type Description/Material	Surface plating/ Color/Class

MEASUREMENTS WITHOUT TOLERANCE ACC TO ISO 2768-m

REPLACEMENT FOR DOCUMENT NUMBER: FxxP1G1A

FUNCTIONAL SYMBOLS	DIMENSION UNITS	SCALE	CURRENT REV DESC:				
$\nabla_A = 0$	mm	2:1	<p><b>molex</b></p> <p>FCT D-SUB MINIATURE CONNECTOR</p> <p>PRODUCT CUSTOMER DRAWING</p>				
$\nabla_E = 0$	GENERAL TOLERANCES (UNLESS SPECIFIED)					EC NO: 706086	2021/11/24
$\nabla_P = 0$	ANGULAR TOL ± °					DRWN: GOOLAM	2022/05/11
	4 PLACES ±					CHK'D: MTEUBEL	2022/05/11
DIVISIONAL SYMBOLS	3 PLACES ±		APPR: MTEUBEL	2022/05/11	DOCUMENT NUMBER		
	2 PLACES ±		INITIAL REVISION:		1731090641		
	1 PLACE ±		DRWN: GOOLAM	2021/11/24	DOC TYPE		
	0 PLACES ±		APPR: MTEUBEL	2022/05/11	DOC PART		
DRAFT WHERE APPLICABLE MUST REMAIN WITHIN DIMENSIONS			FIRST ANGLE PROJECTION	DRAWING	REVISION		
				A3-SIZE	A		
			SERIES	MATERIAL NUMBER	CUSTOMER		
			173109	SEE TABLE	GENERAL MARKET		
					SHEET NUMBER		
					1 OF 1		



ØE, ØF see data sheet incl. connector  
 ØF connectors with accessories only

MEASUREMENTS WITHOUT TOLERANCE ACC TO ISO 2768-m			REPLACEMENT FOR DOCUMENT NUMBER: AM0023		
FUNCTIONAL SYMBOLS	THIS DRAWING CONTAINS INFORMATION THAT IS PROPRIETARY TO MOLEX ELECTRONIC TECHNOLOGIES, LLC AND SHOULD NOT BE USED WITHOUT WRITTEN PERMISSION				
▽A = 0	DIMENSION UNITS	SCALE	CURRENT REV DESC:		
▽E = 0	mm	2:1	EC NO: 713905		
▽P = 0	GENERAL TOLERANCES (UNLESS SPECIFIED)		DRWN: SKANDB 2022/05/16		
DIVISIONAL SYMBOLS	ANGULAR TOL ± °		CHK'D: MTEUBEL 2022/07/12		
4 PLACES ±			APPR: MTEUBEL 2022/07/12		
3 PLACES ±			INITIAL REVISION:		
2 PLACES ±			DRWN: SKANDB 2022/05/16		
1 PLACE ±			APPR: MTEUBEL 2022/07/12		
0 PLACES ±			DOCUMENT NUMBER		
DRAFT WHERE APPLICABLE MUST REMAIN WITHIN DIMENSIONS	FIRST ANGLE PROJECTION	DRAWING	SERIES	MATERIAL NUMBER	CUSTOMER
		A3-SIZE	219560	219560	GENERAL MARKET
			DOC TYPE	DOC PART	REVISION
			PSD	000	A
			SHEET NUMBER		
			1 OF 1		