

PART NO.	ENG. NO.	CKT SIZE	MATERIAL (SEE NOTE 1)
39-01-4030	5557-03R2	3	UL 94V-2
39-01-4031	5557-03R2-210	3	UL 94V-0
39-01-5039	5557-03R2-BL	3	UL 94V-2, BLACK
46999-0287	5557-03R2-400	3	UL 94V-0, BLACK

LEGEND

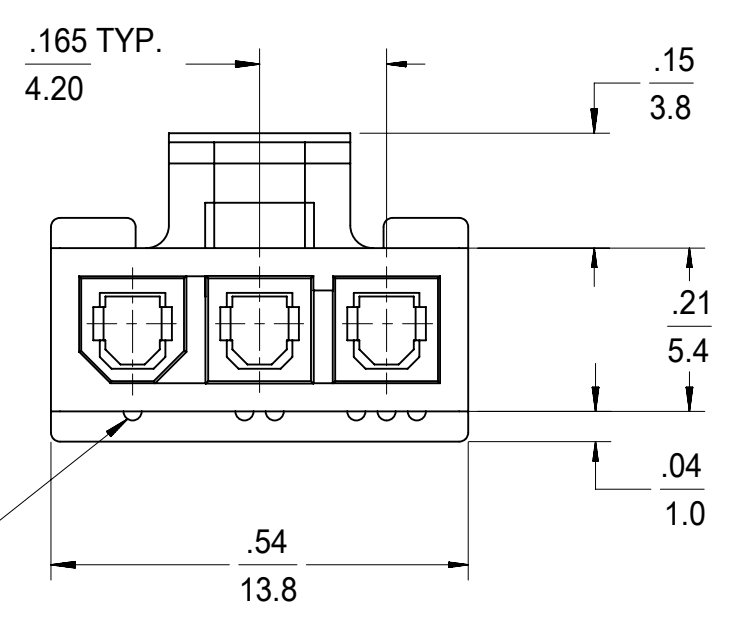
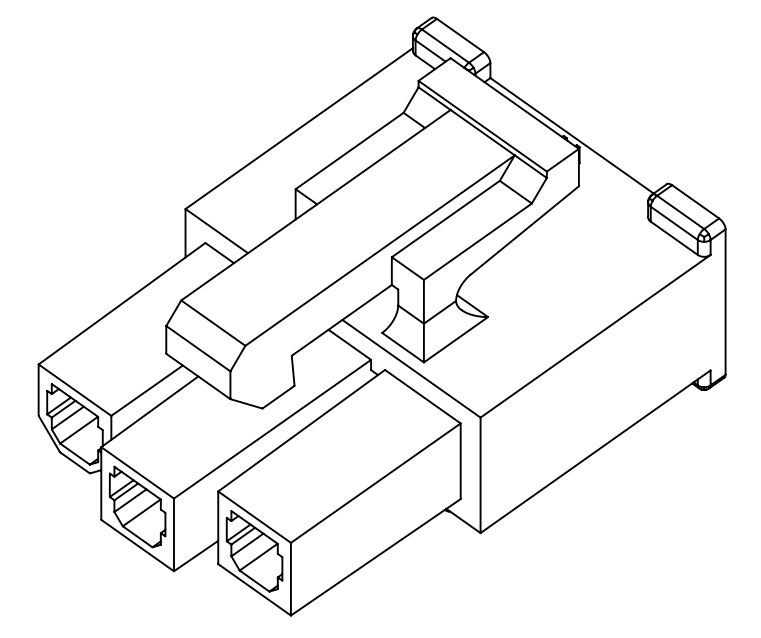
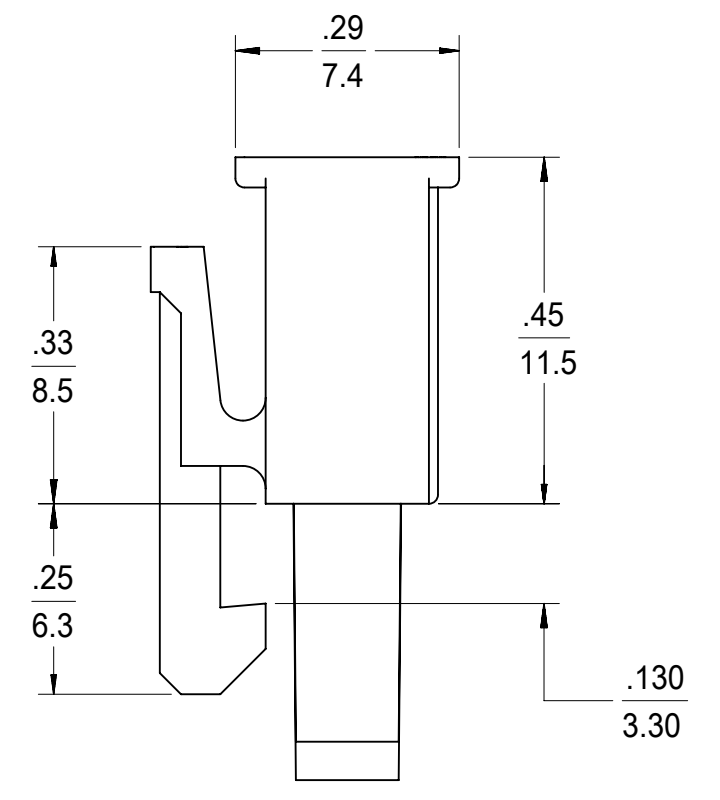
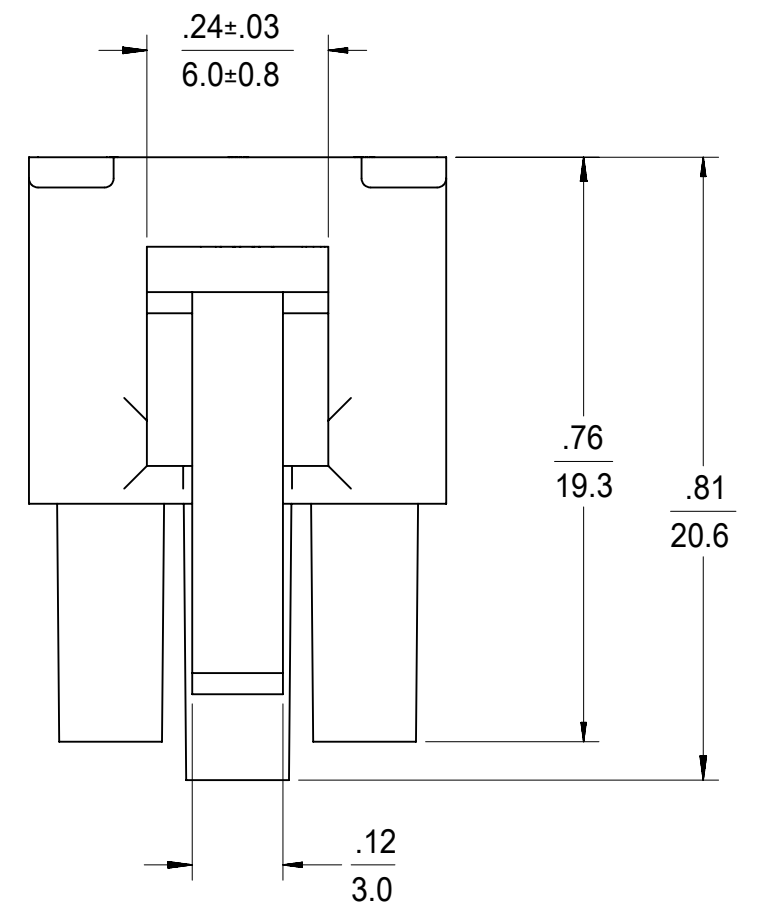
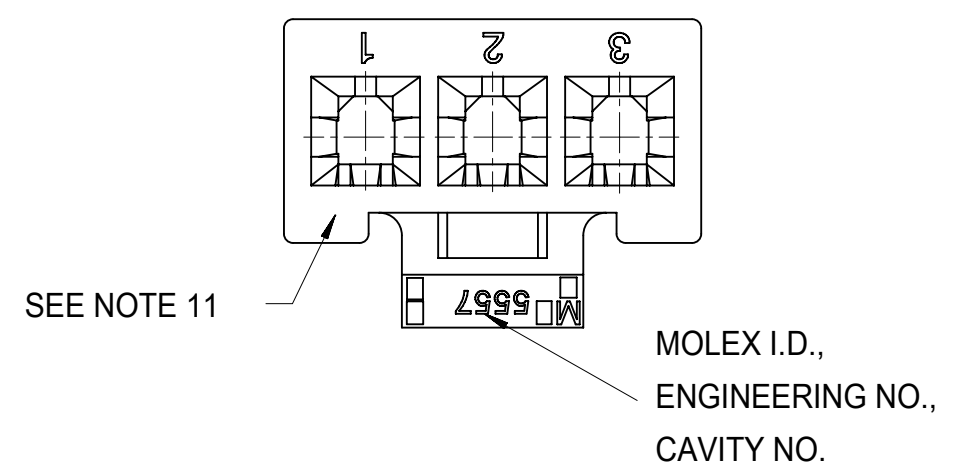
5557-03R2-\*\*\*

CKT SIZE

RECEPTACLE

MATERIAL OPTION:  
(SEE NOTE 1)

- NOTES:
- MATERIAL:  
"BLANK"=NYLON 6/6, UL94V-2, LOW HALOGEN, COLOR: NATURAL  
"210"=NYLON 6/6, UL94V-0, LOW HALOGEN, COLOR: NATURAL  
"BL"=NYLON 6/6, UL94V-2, LOW HALOGEN, COLOR: BLACK  
"400"=NYLON 6/6, UL94V-0, LOW HALOGEN, COLOR: BLACK
  - FINISH: NOT APPLICABLE
  - PRODUCT SPECIFICATION: PS-5556-001
  - PACKAGING: PK-5557-002
  - PART MATES WITH MOLEX RIGHT ANGLE HEADER #5569-03A\*, VERTICAL HEADER #5566-03A3\* AND PLUG #5559-03P\*.
  - PART TO BE USED WITH MOLEX FEMALE TERMINAL #5556.
  - WHEN MATING WITH ANOTHER CONNECTOR, THE CENTER CIRCUIT WILL "MAKE FIRST AND BREAK LAST".
  - PART IS NOT DESIGNED FOR CURRENT SHARING.
  - CONNECTOR ASSEMBLIES ARE NOT TO BE MATED OR UNMATED WHILE CIRCUITS ARE LIVE.
  - WIRES ARE TO BE DRESSED IN SUCH A MANNER TO ALLOW THE TERMINALS TO FLOAT FREELY IN THE POCKET.
  - "MX" TRADEMARK MAY BE LOCATED ON LATCH OR SURFACE INDICATED. CAVITY NO. MAY BE LOCATED ON EITHER SIDE OF ENGINEERING NO. ON LATCH.
  - PART CONFORMS TO CLASS "B" REQUIREMENTS OF COSMETIC SPECIFICATION PS-45499-002.
  - BUBBLE IS ACCEPTABLE ON LATCH AREA.



THIS DRAWING CONTAINS INFORMATION THAT IS PROPRIETARY TO MOLEX ELECTRONIC TECHNOLOGIES, LLC AND SHOULD NOT BE USED WITHOUT WRITTEN PERMISSION									
DIMENSION UNITS		SCALE		CURRENT REV DESC:					
INCH		NTS							
GENERAL TOLERANCES (UNLESS SPECIFIED)				EC NO: 719028				<b>3 CIRCUIT RECEPTACLE, (MINI-FIT JR.) (MAKE-FIRST/BREAK-LAST)</b>	
				DRWN: JERRYW8 2022/08/29					
4 PLACES ±				CHK'D: XQZHANG 2022/09/01				<b>PRODUCT CUSTOMER DRAWING</b>	
3 PLACES ± 0.01				APPR: XQZHANG 2022/09/01					
2 PLACES ± 0.25 ± 0.015				INITIAL REVISION:				DOCUMENT NUMBER: <b>55570302-SD</b> DOC TYPE: PSD DOC PART: 000 REVISION: <b>A1</b>	
1 PLACE ± 0.38 ±				DRWN: GEP 1990/10/02					
0 PLACES ±				APPR: RAS 1990/10/02				MATERIAL NUMBER: SEE CHART CUSTOMER: GENERAL MARKET SHEET NUMBER: 1 OF 1	
ANGULAR TOL ± 0.5 °				THIRD ANGLE PROJECTION		DRAWING: C-SIZE			
DRAFT WHERE APPLICABLE MUST REMAIN WITHIN DIMENSIONS				THIRD ANGLE PROJECTION		DRAWING: C-SIZE		SERIES: 5557	

DOCUMENT STATUS	P1	RELEASE DATE	2022/09/01 16:35:18
-----------------	----	--------------	---------------------

THIS DRAWING REPLACES DRAWING SD-5557-03R2\*