

D X X S 1 3 A 6 X X 1 2 L F

SEE NOTE RoHS

SERIES

NO.OF CONTACTS
09,15,25,37

TYPE OF CONTACTS
S-SOCKET

TYPE OF TERMINATION
13-ANGLED SPILL
PITCH 2.54
FOOT PRINT 10.40 EUROPE

HEIGHT OF TERMINATION

A-2.00mm COMPATIBLE FOR 1.6mm PCB

RoHS INFORMATIONS

"This LF product meets European Union Directives and other country regulations as described in GS-22-008"
The housing will withstand exposure to 260°C peak temperature for 30 seconds in a convection,infra-red or vapor reflow oven solder application.

Packaging as per GS-14-920

PRODUCT SPECIFICATION

See :- GS-12-433

PACKAGING SPECIFICATION

See :- GS-14-1139

PACKAGING SPECIFICATION
12- TAPE AND REEL PACKAGING

MOUNTING OPTIONS

RV->LIF METAL PEG+F.SCREW LOCK UNC 4 40+METAL BRACKET
RL->LIF METAL PEG+ INSERT M3+METAL BRACKET
RX->LIF METAL PEG+ INSERT UNC 4-40 +METAL BRACKET

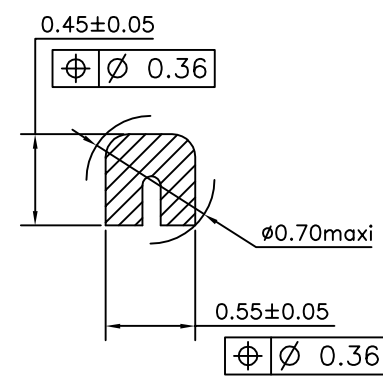
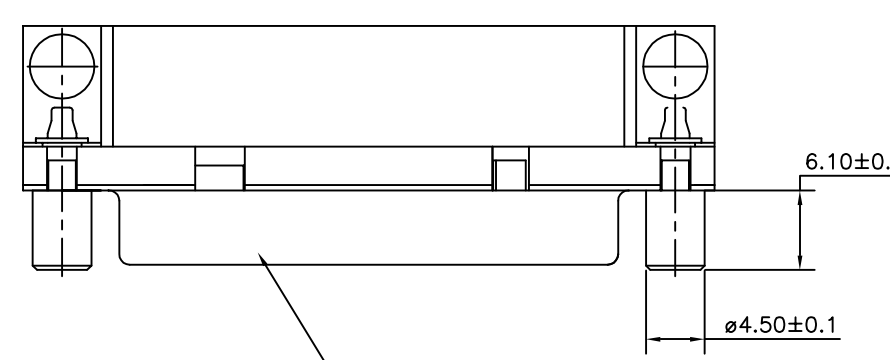
PLATING

6-500 Mating/Un-mating performance

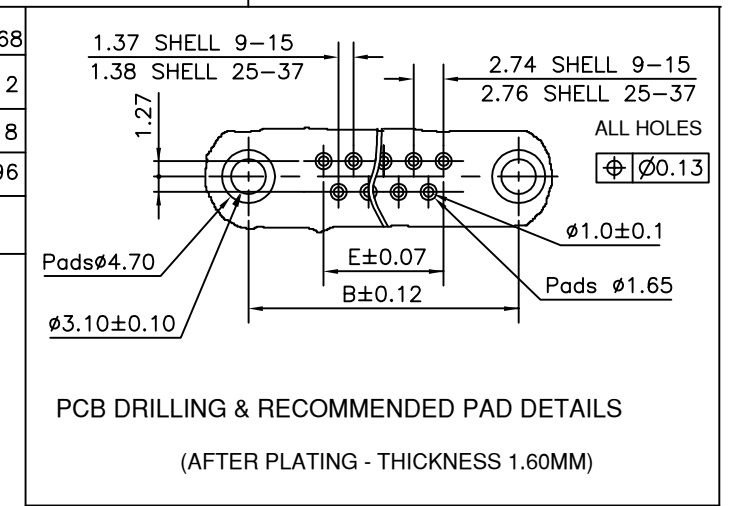
mat'l. code SEE.TECH.SPEC				surface ISO 1302 ✓		tolerance ISO 406 ISO 1101		projection MM		product family DELTA-D			
ltr				ecn no		dr		date		tolerances unless otherwise specified		title	
A				107-0167		AS		2007-12-04		angles		linear	
B				107-0175		AS		2008-12-23		0°±1°		.00±0.1	
C				109-0162		AS		2009-08-19		.000±.00X		scale -	
										dr		ANSHSALAM 2007-12-04	
										engr		ANSHSALAM 2009-08-19	
										chr		ANSHSALAM 2009-08-19	
										appd		BUJUK.PAUL 2009-08-19	
sheet index		revision sheet		C		C						dwg no	
1		1		2								sheet 1 of 2	
												size A3	
												type Product Customer Drawing	



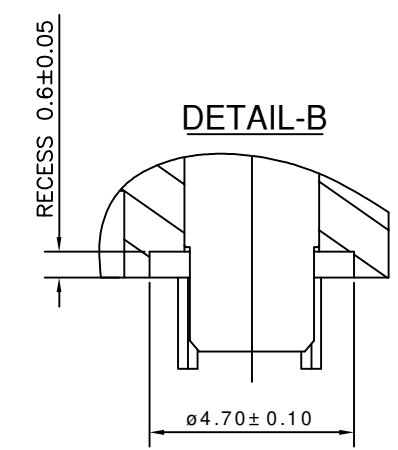
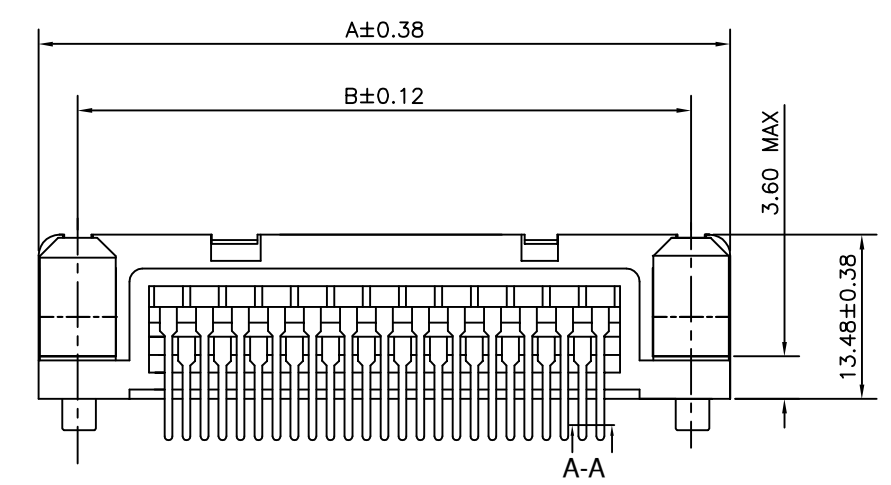
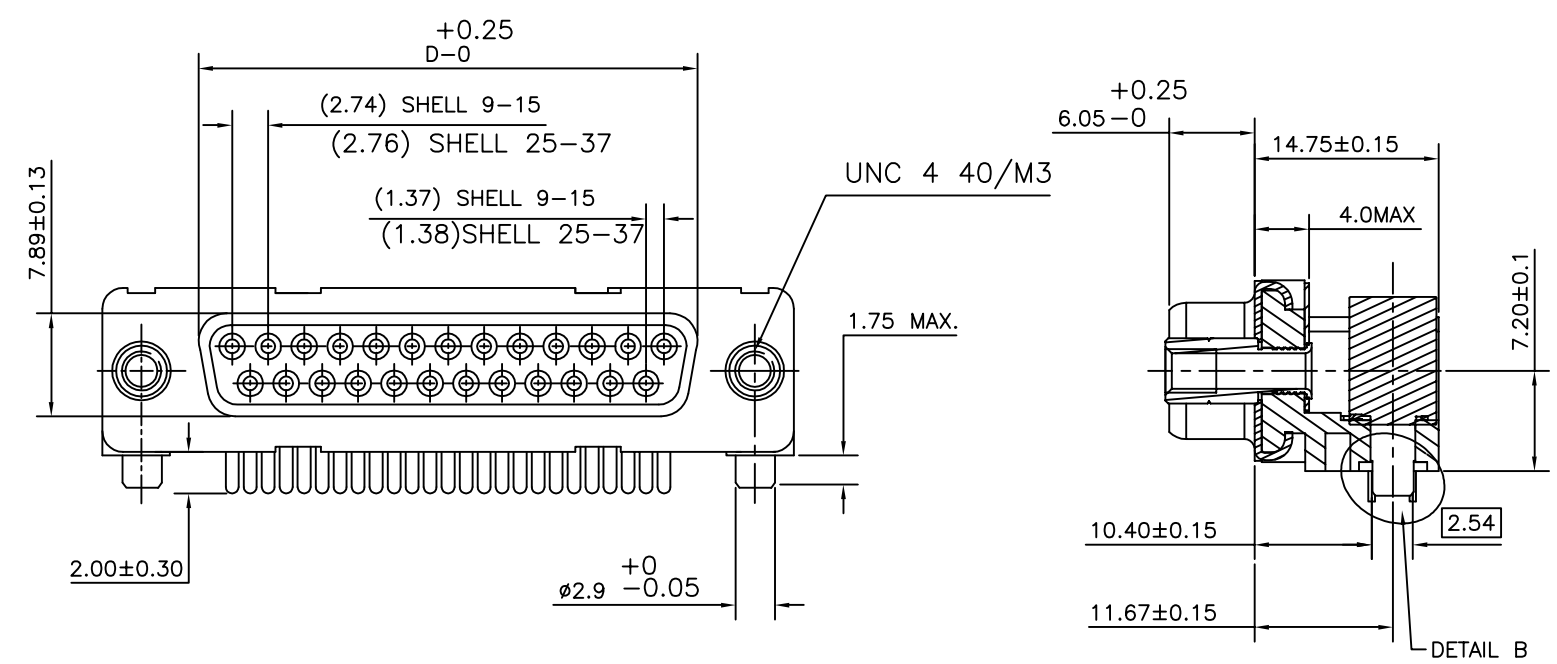
Copyright FCI



37	69.32	63.50	54.71	49.68
25	53.03	47.04	38.25	33.12
15	39.14	33.32	24.54	19.18
09	30.81	24.99	16.21	10.96
SHELL	A	B	D	E



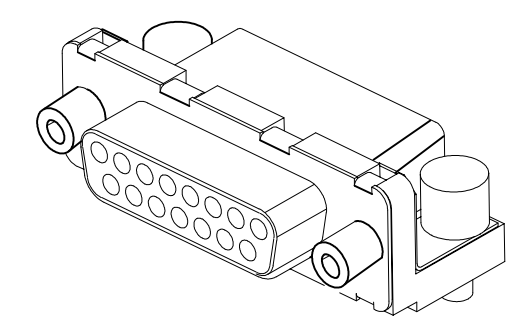
SECTION A-A



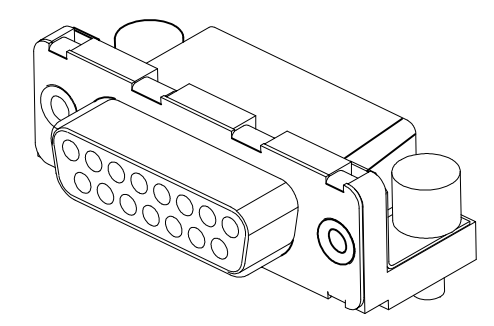
ACCESSORIES DETAILS

TRUE POSITIONING : $\oplus \ominus \varnothing 0.36$

RV VERSION



RX/RL VERSION



mat'l. code		surface		tolerance		projection		product family	
SEE.TECH.SPEC		ISO 1302		ISO 406 ISO 1101				DELTA-D	
ltr		ecn no		date		tolerances unless otherwise specified		title	
A		107-0167		AS 2007-12-04		angles linear		DELTA-D A/S FEMALE PIP CONNECTOR	
B		107-0175		AS 2008-12-23		0°±1°		EUROPE VERSION	
C		109-0162		AS 2009-08-19		.000±.00X		scale -	
				dr		ANISHSALAM 2007-12-04		dwg no	
				enr		ANISHSALAM 2009-08-19		sheet 2 of 2	
				chr		ANISHSALAM 2009-08-19		size	
				appd		BIJUK.PAUL 2009-08-19		A3	
sheet index		revision sheet		C		C		type	
1		1		2				Product Customer Drawing	