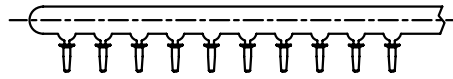
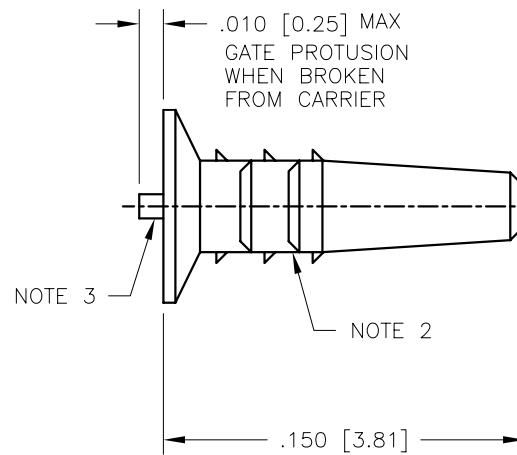
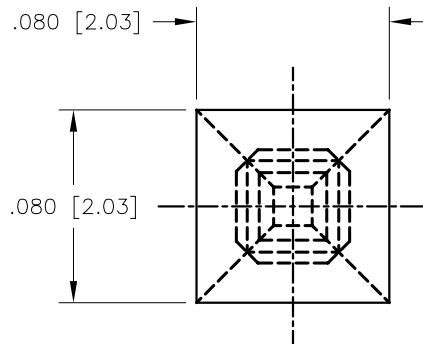


PRODUCT NUMBER	
65307-001	OBSOLETE
65307-001LF	



MOLDED IN GROUPS OF UP TO 10
ATTACHED TO CARRIER OR LOOSE PIECE.



NOTES :

- MOLDING MATERIAL: PA6/66, FLAME RETARDANT PER UL 94V-0, COLOR: NATURAL.
- SERRATED LOCKING SURFACES.
- PRESS PLUG INTO PIN LEAD-IN OF HOUSING CAVITY MANUALLY.
- PLUGS WILL FIT ALL MINI-PV™ ROD AND LATCH HOUSINGS. PRODUCT SPECIFICATION: BUS-12-067.
- PRODUCT MEETS EUROPEAN UNION DIRECTIVES AND OTHER COUNTRY REGULATIONS AS DESCRIBED IN GS-22-008.
- THE PRODUCT IS NOT INTENDED TO BE EXPOSED TO MANUFACTURING SOLDER PROCESSES.

mat'l. code		surface		tolerance		projection		product family	
SEE NOTE 1		✓				⊕		PV HOUSINGS	
ltr	ec'n no	dr	date	tolerances unless otherwise specified		INCH/MM		title	
D	v31683	DAI	1993-09-23	angles	linear			MINI ROD AND LATCH HOUSING	
E	v05-0713	DAI	2005-07-29					POLARIZING PLUG	
F	v06-0454	HTB	2006-05-24	0°±2'		scale 1:1			
G	v06-0842	HTB	2006-08-22	dr	P. PARSONS	1993-09-23		dwg no	
H	v07-0534	HTB	2007-08-23	engr	T. HANNA	1993-09-23		sheet 1 of 1 size	
				chr	T. BREWBAKER	1993-09-23		65307	
				appd	T. HANNA	1993-09-23		A3	
sheet	revision	H						type	
index	sheet	1						Product Customer Drawing	



Copyright FCJ