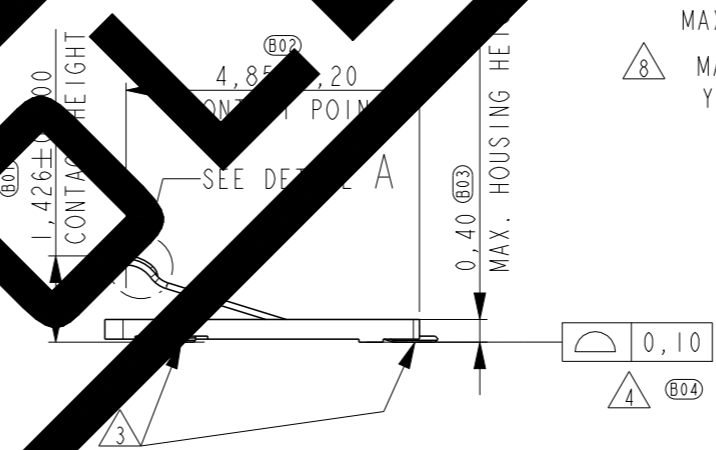
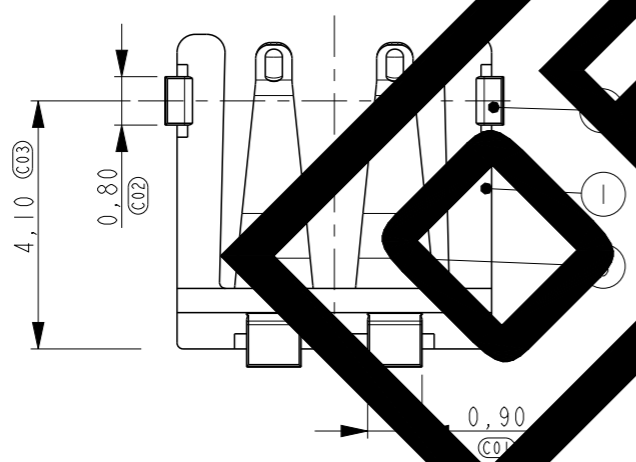
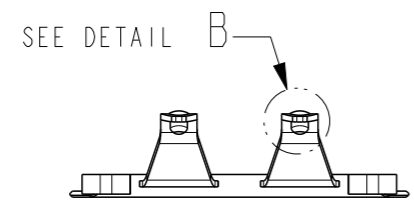
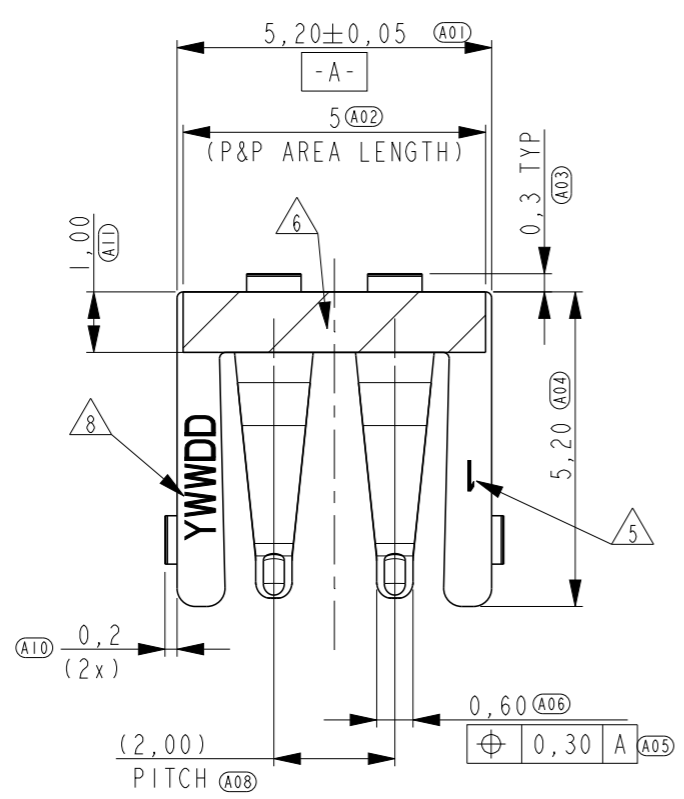
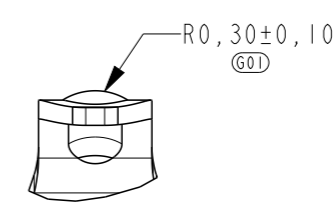


THIS DRAWING IS UNPUBLISHED. RELEASED FOR PUBLICATION
 © COPYRIGHT - BY - ALL RIGHTS RESERVED.

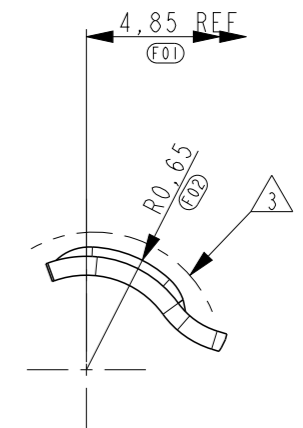
LOC	DIST	REVISIONS			
P	LTR	DESCRIPTION	DATE	DWN	APVD
	A	INITIAL RELEASE	05SEP2013	RW	SY
	A1	ECR-21-124751	28JUL2022	SSM	SY



- 1 P.M.N.S SHOWN 2246092-2.
- 2 DRAWING REPRESENTS PART VERSION VI.
- 3 PLATING: 27µm MIN. NICKEL ALL OVER, 0,3µm MIN GOLD ON CONTACT POINTS (INDICATED BY DASHED LINE), - GOLD FLASH ON SOLDER TAILS
- 4 CLEANABILITY OF SOLDER SURFACES 0,10 MAX.
- 5 MARKING: CAVITY ID, RECESSED.
- 6 PICK & PLACE SURFACE DEFINED BY HATCHED AREA.
- 7 CONTACT WORKING HEIGHT 0,70mm±0,30mm, MIN FORCE 0,20N AT 1,00mm, MAX FORCE 0,80N AT 0,40mm MEASURED FROM SOLDER SURFACE UP.
- 8 MARKING: DATE CODE Y=YEAR, WW=WEEK, DD=DAY&SHIFT



DETAIL B
SCALE 25:1



DETAIL A
SCALE 25:1

ITEM NO.	DESCRIPTION	MATERIAL	FINISH
3	CONTACT	STAINLESS STEEL	GOLD PLATED
2	SOLDER TAB	STAINLESS STEEL	GOLD PLATED
1	HOUSING	PLASTIC, GF	-

THIS DRAWING IS A CONTROLLED DOCUMENT.

DIMENSIONS:	TOLERANCES UNLESS OTHERWISE SPECIFIED:
mm	
	0 PLC ±0,20
	1 PLC ±0,10
	2 PLC ±0,05
	3 PLC ±-
	4 PLC ±-
	ANGLES ±-
MATERIAL -	FINISH -

DWN	05SEP2013
RAY WANG	
CHK	05SEP2013
WENKE HE	
APVD	05SEP2013
STEVEN YAO	
PRODUCT SPEC	108-19386
APPLICATION SPEC	-
WEIGHT	-

STE TE Connectivity

NAME Board to Board Connector

SIZE	CAGE CODE	DRAWING NO	RESTRICTED TO
A3	00779	C-2246092	-

Customer Drawing SCALE 4:1 SHEET 1 OF 3 REV A1

THIS DRAWING IS UNPUBLISHED.

RELEASED FOR PUBLICATION

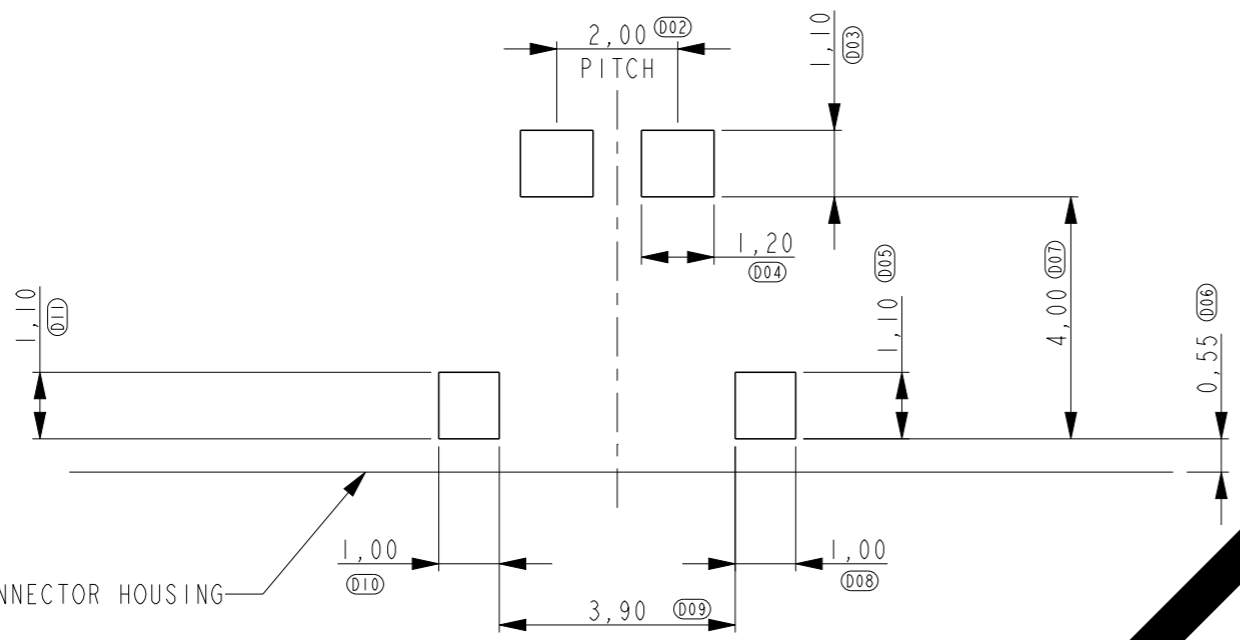
© COPYRIGHT - BY -

ALL RIGHTS RESERVED.

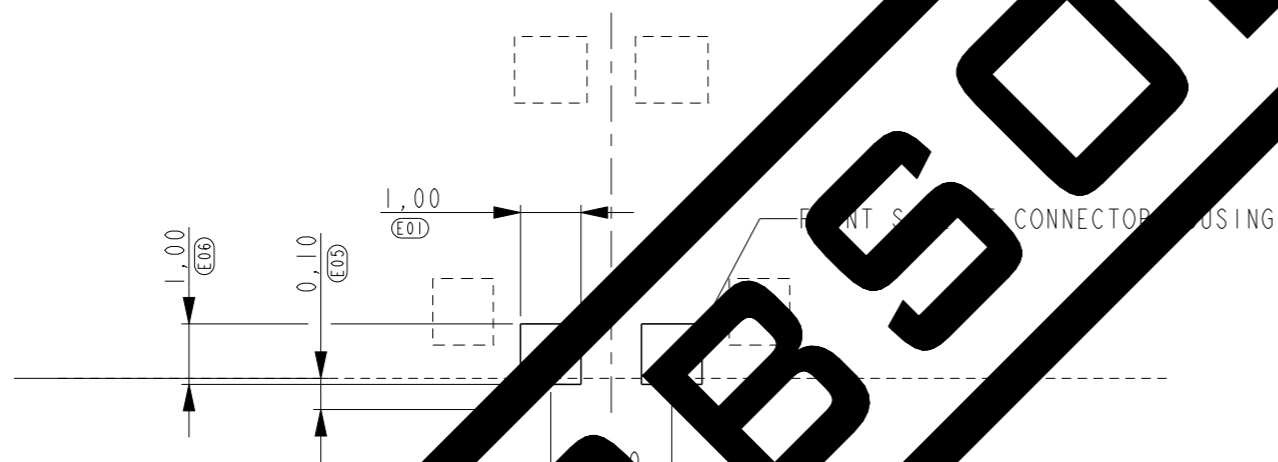
LOC ES DIST -

REVISIONS

P	LTR	DESCRIPTION	DATE	DWN	APVD
-	-	SEE SHEET 1	-	-	-



RECOMMENDED PWB LAY-OUT
PWB SOLDER SIDE



RECOMMENDED PWB LAY-OUT
PWB CONTACT SIDE

OBESOLETTE

THIS DRAWING IS A CONTROLLED DOCUMENT.

DWN RAY WANG 05SEP2013

CHK WENKE HE 05SEP2013

APVD STEVEN YAO 05SEP2013



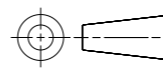
NAME Board to Board Connector

DIMENSIONS:

mm

TOLERANCES UNLESS OTHERWISE SPECIFIED:

- 0 PLC ±0,20
- 1 PLC ±0,10
- 2 PLC ±0,05
- 3 PLC ±-
- 4 PLC ±-
- ANGLES ±-



MATERIAL -

FINISH -

PRODUCT SPEC -

APPLICATION SPEC -

WEIGHT -

SIZE A3 CAGE CODE 00779 DRAWING NO C-2246092 RESTRICTED TO -

Customer Drawing

SCALE 8:1 SHEET 2 OF 3 REV A1

THIS DRAWING IS UNPUBLISHED.

RELEASED FOR PUBLICATION

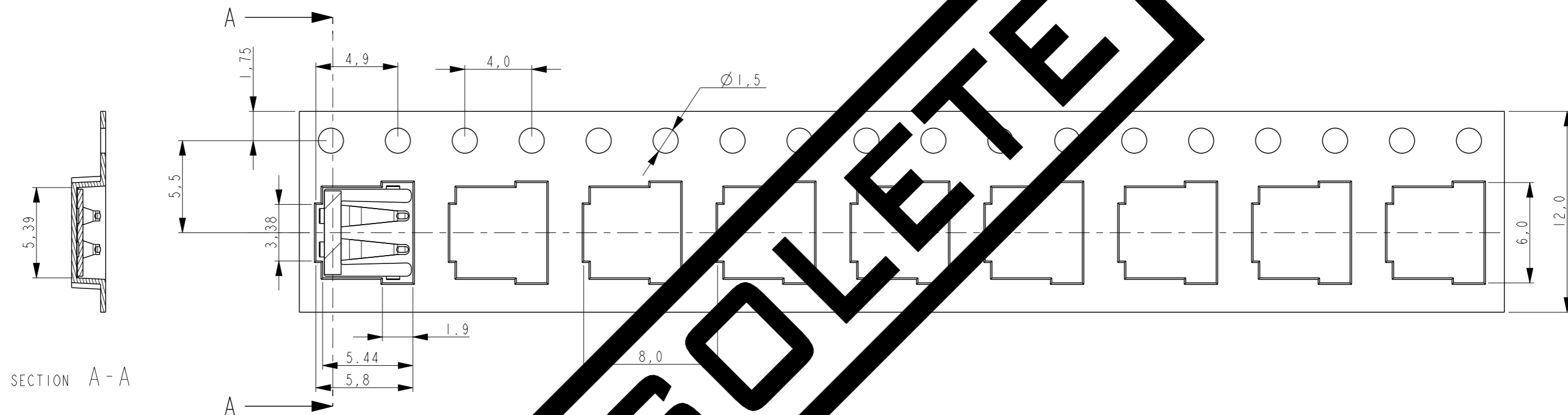
© COPYRIGHT - BY -

ALL RIGHTS RESERVED.

LOC ES DIST -

REVISIONS

P	LTR	DESCRIPTION	DATE	DWN	APVD
-	-	SEE SHEET 1	-	-	-



SECTION A - A

USER DIRECTION OF UNREELING

NOTES:

- REEL DIMENSIONS: 330x100x12,4
- QTY PER REEL: 4000PCS.

OBSCOLETTE

THIS DRAWING IS A CONTROLLED DOCUMENT.

DIMENSIONS:	TOLERANCES UNLESS OTHERWISE SPECIFIED:
mm	0 PLC ±-
	1 PLC ±0.10
	2 PLC ±0.10
	3 PLC ±-
	4 PLC ±-
	ANGLES ±-
MATERIAL	FINISH
-	-

DWN	05SEP2013
RAY WANG	
CHK	05SEP2013
WENKE HE	
APVD	05SEP2013
STEVEN YAO	
PRODUCT SPEC	-
APPLICATION SPEC	-
WEIGHT	-

		TE Connectivity	
		NAME Board to Board Connector	
SIZE	CAGE CODE	DRAWING NO	RESTRICTED TO
A3	00779	C-2246092	-
Customer Drawing		SCALE 8:1	SHEET 3 OF 3 REV A1