

INSERT ORIENTATION

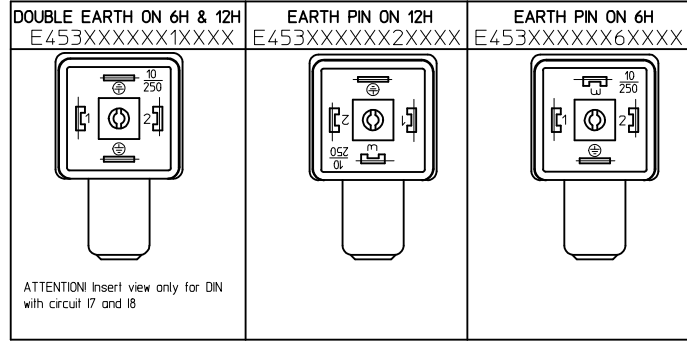
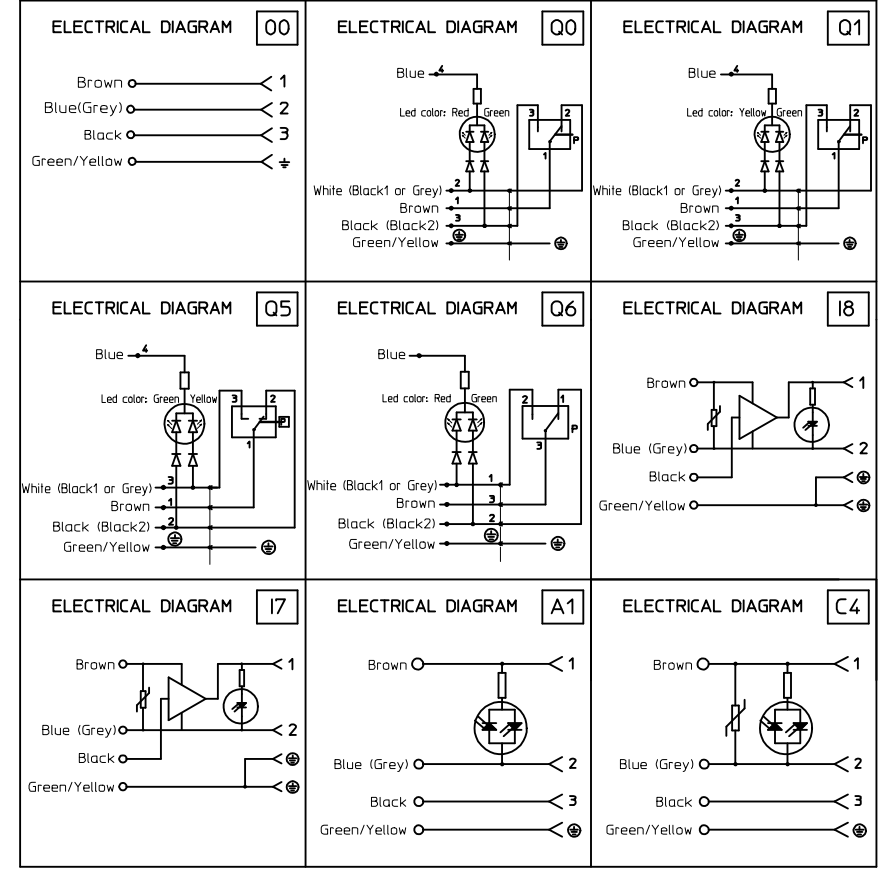


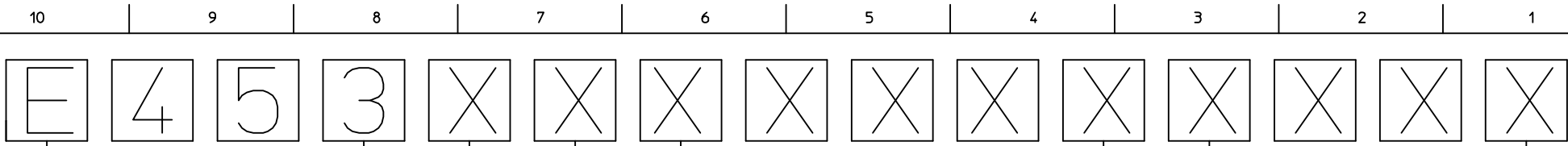
Table of length tolerances [mm]

Over	Up to and including	Tolerance (+)
0	1000	±20
1000	3000	±30
3000	5000	±40
5000	10000	±50
10000	15000	±100
15000	20000	±150
20000		±L/100

WIRING CONFIGURATION



Updated Diagram Q6 EC NO: IPG2015-2/150 DRWN: JMARSZALEK 2015/06/22 CHKD: APAM/AKO1 2015/06/22 APPR: MIWASIECZKO 2015/06/24	QUALITY SYMBOLS	GENERAL TOLERANCES (UNLESS SPECIFIED)	DIMENSION STYLE	SCALE	DESIGN UNITS	THIRD ANGLE PROJECTION
	▼=0 ▽=0	mm INCH 4 PLACES ± --- ± --- 3 PLACES ± --- ± --- 2 PLACES ± --- ± --- 1 PLACE ± --- ± --- 0 PLACE ± --- ± ---	MM ONLY		METRIC	
	DESCRIPTION	ANGULAR ± --- °	DRAWN BY DATE	TITLE		
	REV	DRAFT WHERE APPLICABLE MUST REMAIN WITHIN DIMENSIONS	CHECKED BY DATE	E453XXXXXXXXXXXX DIN FORM A EN 175301-803		
		APPROVED BY DATE	molex DOCUMENT NO. SD-121050-006 SHEET NO. 1 OF 10			
		MATERIAL NO.				SEE SHEET 2 & 4
			THIS DRAWING CONTAINS INFORMATION THAT IS PROPRIETARY TO MOLEX INCORPORATED AND SHOULD NOT BE USED WITHOUT WRITTEN PERMISSION			



E - Packing without bags
 W - Single packing
 Q - Quick packing

NUMBER OF WIRES:
 3=3 WIRES + EARTH
 OR
 3=4 WIRES + EARTH (FOR Q CIRCUIT)

CABLE TYPE
 SEE SHEET 3 - TABLE 1

CABLE CROSS SECTION AREA
 SEE SHEET 3 - TABLE 2

HEAD COLOUR:
 N=BLACK;
 A=CSA-UL BLACK;
 B=CSA-UL GREY.

CABLE LENGHT IN CM
 Eg.:050=50 CM, 300=300 CM, 10K=1000 CM.

EARTH PIN LOCATION (SEE INSERT ORIENTATION TABLE):
 1=DOUBLE EARTH ON 6H AND 12H.
 2=EARTH ON 12H.
 6=EARTH ON 6H.

TYPE OF GASKET AND SCREW:
 1=NBR PROFILE GASKET + FIXING SCREWS (M3x25 mm)
 2=NBR FLAT GASKET + FIXING SCREW (M3x25 mm)
 3=SILICONE PROFILE GASKET + FIXING SCREW (M3x25 mm)
 4=SILICON FLAT GASKET + FIXING SCREW (M3x25 mm)
 P=INTEGRATED GASKET ASSEMBLED + FIXING SCREW WITH WASHER ASSEMBLED (M3x27 mm)
 R=INTAGRATED GASKET + FIXING SCREW + WASHER (M3x27 mm)
 T=PROFILE GASKET + FIXING SCREW + WASHER (M3x27 mm)

INTERNAL CIRCUIT, WIRING CONFIGURATION

VOLTAGE AND LED COLOUR:
 NOTE: FOR CIRCUIT TYPE Q - BICOLOR LED - ONLY 1,2,3,4,5

1= 12V	A= 12V	G= 12V
2= 24V	B= 24V	H= 24V
3= 48V	C= 48V	K= 48V
4= 115V	D= 115V	L= 115V
5= 230V	E= 230V	M= 230V

RED LED GREEN LED YELLOW LED

See Sheet 1 EC NO: IPG2015-2/150 DRWN: JMARSZALEK 2015/06/22 CHKD: APAMLAK01 2015/06/22 APPR: MIWASIECZKO 2015/06/24	QUALITY SYMBOLS	GENERAL TOLERANCES (UNLESS SPECIFIED)		DIMENSION STYLE	SCALE	DESIGN UNITS	FIRST ANGLE PROJECTION		
	= 0 = 0	mm	INCH	MM ONLY	1:1	METRIC	TITLE E453XXXXXXXXXXXX DIN FORM A EN 175301-803 		
	4 PLACES ± --- ± --- 3 PLACES ± --- ± --- 2 PLACES ± --- ± --- 1 PLACE ± --- ± --- 0 PLACE ± --- ± ---	ANGULAR ± --- °		DRAWN BY	DATE	DOCUMENT NO.			
	DRAFT WHERE APPLICABLE MUST REMAIN WITHIN DIMENSIONS	SEE SHEET 2 & 4		JMARSZALEK	2012/11/27	SD-121050-006			
	REV	MATERIAL NO.		MSZWAJKOWSKI	2012/11/27	SHEET NO.			
	THIS DRAWING CONTAINS INFORMATION THAT IS PROPRIETARY TO MOLEX INCORPORATED AND SHOULD NOT BE USED WITHOUT WRITTEN PERMISSION		MIWASIECZKO	2014/01/30	2 OF 10				

TABLE 2 - CABLES

Cable type	Cable code	Wires no.	Cross Section	Jacket material	Jacket color	Diameter Ø [mm]	Wire colors
I	0	3	1 mm ²	PVC CEI 2022 II O.R.	Grey	7.6±0.2	BN, BU, GN/YE
A	2	3	20 AWG	PVC CSA/UL 2661	Black	5.4±0.2	BN, BU
A	2	3	20 AWG	PVC CSA/UL 2661	Black	5.6±0.2	BN, BU, GN/YE
A	2	4	20 AWG	PVC CSA/UL 2661	Black	6.2±0.25	BN, BU, BK, GN/YE
B	2	2	20 AWG	PUR CSA/UL 20668	Black	5.6±0.2	BN, BU
B	2	3	20 AWG	PUR CSA/UL 20668	Black	5.6±0.2	BN, BU, GN/YE
B	2	4	20 AWG	PUR CSA/UL 20668	Black	6.3±0.2	BN, BU, BK, GN/YE
D	2	3	0.5 mm ²	PVC CEI 20-20	Grey	5.5+0.3/-0	BN, BU, GN/YE
I	2	2	0.5 mm ²	PVC CEI 2022 II O.R.	Grey	5.5+0.3/-0	BN, BU
I	2	3	0.5 mm ²	PVC CEI 2022 II O.R.	Grey	5.5+0.3/-0	BN, BU, GN/YE
I	2	4	0.5 mm ²	PVC CEI 2022 II O.R.	Grey	6.5±0.2	BN, BU, BK, GN/YE
I	2	5	0.5 mm ²	PVC CEI 2022 II O.R.	Grey	7.0 +0.3/-0	BN, BU, BK, WH, GN/YE
N	2	2	0.5 mm ²	PVC H03VV-F	Black	5.2±0.2	BN, BU
N	2	3	0.5 mm ²	PVC H03VV-F	Black	5.5±0.2	BN, BU, GN/YE
N	2	4	0.5 mm ²	PVC H03VV-F	Black	5.9±0.3	BN, BU, BK, GN/YE
P	2	2	0.5 mm ²	PUR - BLEND	Black	5.5±0.2	BN, BU
P	2	3	0.5 mm ²	PUR - BLEND	Black	5.5 +0.3/-0	BN, BU, GN/YE
P	2	4	0.5 mm ²	PUR - BLEND	Black	6.5±0.2	BN, BU, BK, GN/YE
P	2	5	0.5 mm ²	PUR - BLEND	Black	7+0.3/-0.1	BN, BU, BK, WH, GN/YE
A	3	2	18 AWG	PVC CSA/UL 2661	Black	6.2±0.25	BN, BU
A	3	3	18 AWG	PVC CSA/UL 2661	Black	6.5±0.25	BN, BU, GN/YE
A	3	4	18 AWG	PVC CSA/UL 2661	Black	7.0+0.3/-0	BN, BU, BK, GN/YE
A	3	5	18 AWG	PVC CSA/UL 2661	Black	7.8±0.25	BN, BU, BK, WH, GN/YE
B	3	2	18 AWG	PUR CSA/UL 20668	Black	6.2±0.2	BN, BU
B	3	3	18 AWG	PUR CSA/UL 20668	Black	6.5±0.2	BN, BU, GN/YE
B	3	4	18 AWG	PUR CSA/UL 20668	Black	7±0.2	BN, BU, BK, GN/YE
B	3	5	18 AWG	PUR CSA/UL 20668	Black	7.8±0.25	BN, BU, BK, WH, GN/YE
D	3	3	0.75 mm ²	PVC CEI 20-20	Grey	6.5±0.2	BN, BU, GN/YE
D	3	4	0.75 mm ²	PVC CEI 20-20	Grey	7.1±0.2	BN, BU, BK, GN/YE
I	3	2	0.75 mm ²	PVC CEI 2022 II O.R.	Grey	5.5±0.2	BK1, BK2
I	3	3	0.75 mm ²	PVC CEI 2022 II O.R.	Grey	6.0±0.2	BK1, BK2, BK3
I	3	4	0.75 mm ²	PVC CEI 2022 II O.R.	Grey	7.0±0.2	BN, BU, BK, GN/YE
N	3	2	0.75 mm ²	PVC H05VV-F	Black	6.2±0.2	BN, BU
N	3	3	0.75 mm ²	PVC H05VV-F	Black	6.5±0.2	BN, BU, GN/YE
N	3	4	0.75 mm ²	PVC H05VV-F	Black	7.1±0.2	BN, BU, BK, GN/YE
N	3	5	0.75 mm ²	PVC H05VV-F	Black	8.0+0.2/-0	BN, BU, BK, GY, GN/YE
P	3	2	0.75 mm ²	PUR - BLEND	Black	6.5±0.2	BN, BU
P	3	3	0.75 mm ²	PUR - BLEND	Black	6.5±0.2	BN, BU, GN/YE
P	3	4	0.75 mm ²	PUR - BLEND	Black	7.0±0.2	BN, BU, BK, GN/YE

TABLE 2 - CABLES

Cable type	Cable code	Wires no.	Cross Section	Jacket material	Jacket color	Diameter Ø [mm]	Wire colors
R	3	3	0.75 mm ²	TPR HAL. FREE	Black	6.5±0.2	BN, BU, GN/YE
T	3	3	0.75 mm ²	PUR CSA/UL 20668	Yellow	6.5±0.2	BN, BU, GN/YE
Y	3	3	0.75 mm ²	SILICONE RUBBER	Red	6.5±0.2	BN, BU, GN/YE
F	4	3	1 mm ²	PVC CNOMO	Grey	7.1+0.2/-0	BK1, BK2, GN/YE
I	4	2	1 mm ²	PVC CEI 2022 II O.R.	Grey	7.1+0.2/-0	BN, BU
I	4	3	1 mm ²	PVC CEI 2022 II O.R.	Grey	7.1+0.2/-0	BN, BU, GN/YE
N	4	2	1 mm ²	PVC H05VV-F	Black	6.5±0.2	BN, BU
N	4	3	1 mm ²	PVC H05VV-F	Black	6.9±0.2	BN, BU, GN/YE
R	4	3	1 mm ²	TPR HAL. FREE	Black	7.1±0.2	BN, BU, GN/YE
N	5	3	1.5 mm ²	PVC H05VV-F	Black	7.9±0.2	BN, BU, GN/YE
I	6	2	0.35 mm ²	PVC CEI 2011	Grey	4.8±0.2	BN, WH
I	9	4	0.75 mm ²	PVC CEI 2022 II	Grey	7.3±0.2	BN, BU, BK, GN/YE

TABLE 1 - CABLES TYPE

Code	Cable types	Features	Cable type Cross section
N	PVC	Application general purpose cable which has good resistance to water, but usually poor oil resistance.	N2=0.5 mm2 N3=0.75 mm2 N4=1 mm2
I	CEI	Approved to IEC 332-2A, flame retardant and self extinguishing. Limited resistant to mineral oils.	I2=0.5 mm2 I3=0.75 mm2 I4=1 mm2
P	PUR	Offer good resistance to oil and chemicals. Can swell when constantly immersed in water.	P2=0.5 mm2 P3=0.75 mm2 P4=1 mm2
A	PVC CSA-UL	Approved to CSA-UL 2661, application general purpose cable which has good resistance to water, but usually poor oil resistance.	A2=20 AWG A3=18 AWG
B	PUR CSA-UL	Approved to CSA-UL 20668, very good resistance to oil and chemicals.	B2=20 AWG B3=18 AWG

See Sheet 1 EC NO: IPG2015-2150 DRWN: JMARSZALEK 2015/06/22 CHKD: APAM LAKO1 2015/06/22 APPR: MIWASIECZKO 2015/06/24	QUALITY SYMBOLS	GENERAL TOLERANCES (UNLESS SPECIFIED)	DIMENSION STYLE	SCALE	DESIGN UNITS	FIRST ANGLE PROJECTION	
	▽=0 ◁=0	mm INCH	MM ONLY	1:1	METRIC		
		4 PLACES ± --- ± --- 3 PLACES ± --- ± --- 2 PLACES ± --- ± --- 1 PLACE ± --- ± --- 0 PLACE ± --- ± ---	DRAWN BY DATE JMARSZALEK 2012/11/27 CHECKED BY DATE MSZWAJKOWSKI 2012/11/27 APPROVED BY DATE MIWASIECZKO 2014/01/30	TITLE	E453XXXXXXXXXX DIN FORM A EN 175301-803		
		ANGULAR ± --- ° DRAFT WHERE APPLICABLE MUST REMAIN WITHIN DIMENSIONS	MATERIAL NO. SEE SHEET 2 & 4	DOCUMENT NO. SD-121050-006	SHEET NO. 3 OF 10		
			SIZE A3	THIS DRAWING CONTAINS INFORMATION THAT IS PROPRIETARY TO MOLEX INCORPORATED AND SHOULD NOT BE USED WITHOUT WRITTEN PERMISSION			

10

9

8

7

6

5

4

3

2

1

TABLE 3 - PART LIST

Table with 3 columns: Pos., MoLex PN:, Engineering No.:. Rows 201-240.

Table with 3 columns: Pos., MoLex PN:, Engineering No.:. Rows 241-280.

Table with 3 columns: Pos., MoLex PN:, Engineering No.:. Rows 281-320.

Table with 3 columns: Pos., MoLex PN:, Engineering No.:. Rows 321-360.

Table with 3 columns: Pos., MoLex PN:, Engineering No.:. Rows 361-400.

See Sheet 1
EC NO: IPG2015-2150
DRWN: JMARSZALEK 2015/06/22
CHKD: APAM LAKOTI 2015/06/22
APPR: MIWASIECZKO 2015/06/24

QUALITY SYMBOLS
DESCRIPTION
▽=0
◇=0
REV

GENERAL TOLERANCES (UNLESS SPECIFIED)
mm INCH
4 PLACES ± --- ± ---
3 PLACES ± --- ± ---
2 PLACES ± --- ± ---
1 PLACE ± --- ± ---
0 PLACE ± --- ± ---
ANGULAR ±---°
DRAFT WHERE APPLICABLE MUST REMAIN WITHIN DIMENSIONS

DIMENSION STYLE MM ONLY
DRAWN BY DATE JMARSZALEK 2012/11/27
CHECKED BY DATE MSZWAJKOWSKI 2012/11/27
APPROVED BY DATE MIWASIECZKO 2014/01/30
MATERIAL NO.
SIZE A3

SCALE 1:1
DESIGN UNITS METRIC
FIRST ANGLE PROJECTION
E453XXXXXXXXXX
DIN FORM A
EN 175301-803
molex
DOCUMENT NO. SD-121050-006 SHEET NO. 5 OF 10
THIS DRAWING CONTAINS INFORMATION THAT IS PROPRIETARY TO MOLEX INCORPORATED AND SHOULD NOT BE USED WITHOUT WRITTEN PERMISSION

9

8

7

6

5

4

3

2

1

TABLE 3 - PART LIST

Pos.	Molex PN:	Engineering No.:	Pos.	Molex PN:	Engineering No.:	Pos.	Molex PN:	Engineering No.:	Pos.	Molex PN:	Engineering No.:	Pos.	Molex PN:	Engineering No.:
1201	2210508841	E453P2N3002100G	1241	2210508881	E453P3N10K21175	1281	2210508921	E453P3N2002117K						
1202	2210508842	E453P2N3002100H	1242	2210508882	E453P3N10K2117A	1282	2210508922	E453P3N2002117L						
1203	2210508843	E453P2N3002100K	1243	2210508883	E453P3N10K2117B	1283	2210508923	E453P3N2002117M						
1204	2210508844	E453P2N3002100L	1244	2210508884	E453P3N10K2117C	1284	2210508924	E453P3N30011000						
1205	2210508845	E453P2N3002100M	1245	2210508885	E453P3N10K2117D	1285	2210508925	E453P3N30021171						
1206	2210508846	E453P2N50021001	1246	2210508886	E453P3N10K2117E	1286	2210508926	E453P3N30021172						
1207	2210508847	E453P2N50021003	1247	2210508887	E453P3N10K2117G	1287	2210508927	E453P3N30021173						
1208	2210508848	E453P2N50021004	1248	2210508888	E453P3N10K2117H	1288	2210508928	E453P3N30021174						
1209	2210508849	E453P2N50021005	1249	2210508889	E453P3N10K2117K	1289	2210508929	E453P3N30021175						
1210	2210508850	E453P2N5002100A	1250	2210508890	E453P3N10K2117L	1290	2210508930	E453P3N3002117A						
1211	2210508851	E453P2N5002100B	1251	2210508891	E453P3N10K2117M	1291	2210508931	E453P3N3002117B						
1212	2210508852	E453P2N5002100C	1252	2210508892	E453P3N15011000	1292	2210508932	E453P3N3002117C						
1213	2210508853	E453P2N5002100D	1253	2210508893	E453P3N15021171	1293	2210508933	E453P3N3002117D						
1214	2210508854	E453P2N5002100E	1254	2210508894	E453P3N15021172	1294	2210508934	E453P3N3002117E						
1215	2210508855	E453P2N5002100G	1255	2210508895	E453P3N15021173	1295	2210508935	E453P3N3002117G						
1216	2210508856	E453P2N5002100H	1256	2210508896	E453P3N15021174	1296	2210508936	E453P3N3002117H						
1217	2210508857	E453P2N5002100K	1257	2210508897	E453P3N15021175	1297	2210508937	E453P3N3002117K						
1218	2210508858	E453P2N5002100L	1258	2210508898	E453P3N1502117A	1298	2210508938	E453P3N3002117L						
1219	2210508859	E453P2N5002100M	1259	2210508899	E453P3N1502117B	1299	2210508939	E453P3N3002117M						
1220	2210508860	E453P3N10011000	1260	2210508900	E453P3N1502117C	1300	2210508940	E453P3N50011000						
1221	2210508861	E453P3N10021171	1261	2210508901	E453P3N1502117D	1301	2210508941	E453P3N50021171						
1222	2210508862	E453P3N10021172	1262	2210508902	E453P3N1502117E	1302	2210508942	E453P3N50021172						
1223	2210508863	E453P3N10021173	1263	2210508903	E453P3N1502117G	1303	2210508943	E453P3N50021173						
1224	2210508864	E453P3N10021174	1264	2210508904	E453P3N1502117H	1304	2210508944	E453P3N50021174						
1225	2210508865	E453P3N10021175	1265	2210508905	E453P3N1502117K	1305	2210508945	E453P3N50021175						
1226	2210508866	E453P3N1002117A	1266	2210508906	E453P3N1502117L	1306	2210508946	E453P3N5002117A						
1227	2210508867	E453P3N1002117B	1267	2210508907	E453P3N1502117M	1307	2210508947	E453P3N5002117B						
1228	2210508868	E453P3N1002117C	1268	2210508908	E453P3N20011000	1308	2210508948	E453P3N5002117C						
1229	2210508869	E453P3N1002117D	1269	2210508909	E453P3N20021171	1309	2210508949	E453P3N5002117D						
1230	2210508870	E453P3N1002117E	1270	2210508910	E453P3N20021172	1310	2210508950	E453P3N5002117E						
1231	2210508871	E453P3N1002117G	1271	2210508911	E453P3N20021173	1311	2210508951	E453P3N5002117G						
1232	2210508872	E453P3N1002117H	1272	2210508912	E453P3N20021174	1312	2210508952	E453P3N5002117H						
1233	2210508873	E453P3N1002117K	1273	2210508913	E453P3N20021175	1313	2210508953	E453P3N5002117K						
1234	2210508874	E453P3N1002117L	1274	2210508914	E453P3N2002117A	1314	2210508954	E453P3N5002117L						
1235	2210508875	E453P3N1002117M	1275	2210508915	E453P3N2002117B	1315	2210508955	E453P3N5002117M						
1236	2210508876	E453P3N10K11000	1276	2210508916	E453P3N2002117C	1316	1210500877	E453P2G50062002						
1237	2210508877	E453P3N10K21171	1277	2210508917	E453P3N2002117D	1317	1210503525	E453P2N15K61012						
1238	2210508878	E453P3N10K21172	1278	2210508918	E453P3N2002117E	1318	1210503585	E453B3A3002P002						
1239	2210508879	E453P3N10K21173	1279	2210508919	E453P3N2002117G									
1240	2210508880	E453P3N10K21174	1280	2210508920	E453P3N2002117H									

ADD NEW PN'S EC NO: IPG2015-2150 DRWN: JMARSZALEK 2015/06/22 CHKD: APAMLAKO1 2015/06/22 APPR: MIWASIECZKO 2015/06/24	QUALITY SYMBOLS ▽ = 0 ◻ = 0	GENERAL TOLERANCES (UNLESS SPECIFIED) mm INCH 4 PLACES ± --- ± --- 3 PLACES ± --- ± --- 2 PLACES ± --- ± --- 1 PLACE ± --- ± --- 0 PLACE ± --- ± ---	DIMENSION STYLE MM ONLY DRAWN BY: JMARSZALEK DATE: 2012/11/27 CHECKED BY: MSZWAJKOWSKI DATE: 2012/11/27 APPROVED BY: MIWASIECZKO DATE: 2014/01/30	SCALE 1:1 DESIGN UNITS METRIC FIRST ANGLE PROJECTION	TITLE E453XXXXXXXXXXXX DIN FORM A EN 175301-803 molex	
	MATERIAL NO. SEE SHEET 2 & 4	DOCUMENT NO. SD-121050-006	SHEET NO. 10 OF 10			
	DRAFT WHERE APPLICABLE MUST REMAIN WITHIN DIMENSIONS			THIS DRAWING CONTAINS INFORMATION THAT IS PROPRIETARY TO MOLEX INCORPORATED AND SHOULD NOT BE USED WITHOUT WRITTEN PERMISSION		