

TECHNICAL SPECIFICATIONS
 Material: Zinc
 Plating: Nickel
 Operating Temperature: -25°C to +90°C
 Thumbscrews: UNC 4-40

 Max cable ØF:
 With Rubber Grommet: 6.5mm
 W/O Rubber Grommet: 9.5mm

 No. of contacts: 09-15-25-37

Item	QTY	Part description
1	4	Screw
2	1	Upper hood
3	1	Cable clamp
4	1	Rubber grommet
5	1	Plastic Insert
6	2	Jackscrew UNC4-40
7	1	Latch-1
8	1	Latch-2
9	1	Lower hood

RoHS compliant
 Unit: mm

Scale	Free				Date	Name	Customer-No.	
TOLERANCE					Drawn	17.08.2017	S.Bölling	
0~6	±0.10				Approved	17.08.2017	S.Bölling	
6~30	±0.20							
30~120	±0.30							
120~400	±0.50							
DIM	Tol							
Angle	±1°	Ⓢ	Drawn	17.08.2017				S.Bölling
Angle	Tol	Id.	Modification	Date				Name

Customer-No.		
ASSMANN WSW-No.		ACOVSUB-09MB42
Drawing-No.		ASS_5283_CO
Replace	rev00	Sheet 1/4

	1	2	3	4	5	6	7																																																																															
A						<p>TECHNICAL SPECIFICATIONS</p> <p>Material: Zinc Plating: Nickel Operating Temperature: -25°C to +90°C Thumbscrews: UNC 4-40</p> <p>Max cable ØF: With Rubber Grommet: 6.5mm W/O Rubber Grommet: 12.5mm</p> <p>No. of contacts: 09-15-25-37</p>		A																																																																														
B								B																																																																														
C								C																																																																														
D								D																																																																														
E	<table border="1"> <thead> <tr> <th>Item</th> <th>QTY</th> <th>Part description</th> </tr> </thead> <tbody> <tr> <td>1</td> <td>4</td> <td>Screw</td> </tr> <tr> <td>2</td> <td>1</td> <td>Upper hood</td> </tr> <tr> <td>3</td> <td>1</td> <td>Cable clamp</td> </tr> <tr> <td>4</td> <td>1</td> <td>Rubber grommet</td> </tr> <tr> <td>5</td> <td>2</td> <td>Reduction plate</td> </tr> <tr> <td>6</td> <td>1</td> <td>Plastic Insert</td> </tr> <tr> <td>7</td> <td>2</td> <td>Jackscrew UNC4-40</td> </tr> <tr> <td>8</td> <td>1</td> <td>Latch-1</td> </tr> <tr> <td>9</td> <td>1</td> <td>Latch-2</td> </tr> <tr> <td>10</td> <td>1</td> <td>Lower hood</td> </tr> </tbody> </table>					Item	QTY	Part description	1	4	Screw	2	1	Upper hood	3	1	Cable clamp	4	1	Rubber grommet	5	2	Reduction plate	6	1	Plastic Insert	7	2	Jackscrew UNC4-40	8	1	Latch-1	9	1	Latch-2	10	1	Lower hood			E																																													
Item	QTY	Part description																																																																																				
1	4	Screw																																																																																				
2	1	Upper hood																																																																																				
3	1	Cable clamp																																																																																				
4	1	Rubber grommet																																																																																				
5	2	Reduction plate																																																																																				
6	1	Plastic Insert																																																																																				
7	2	Jackscrew UNC4-40																																																																																				
8	1	Latch-1																																																																																				
9	1	Latch-2																																																																																				
10	1	Lower hood																																																																																				
F	F																																																																																					
G	<p>RoHS compliant Unit: mm</p> <table border="1"> <thead> <tr> <th>Scale</th> <th>Free</th> <th></th> <th></th> <th></th> <th></th> <th>Date</th> <th>Name</th> <th>Customer-No.</th> </tr> </thead> <tbody> <tr> <td colspan="2">TOLERANCE</td> <td></td> <td></td> <td></td> <td></td> <td>Drawn</td> <td>17.08.2017</td> <td>S.Bölling</td> <td rowspan="4">ASSMANN WSW-No. ACOV-SUB-15MB42</td> </tr> <tr> <td>0~6</td> <td>±0.10</td> <td></td> <td></td> <td></td> <td></td> <td>Approved</td> <td>17.08.2017</td> <td>S.Bölling</td> </tr> <tr> <td>6~30</td> <td>±0.20</td> <td></td> <td></td> <td></td> <td></td> <td></td> <td></td> <td></td> </tr> <tr> <td>30~120</td> <td>±0.30</td> <td></td> <td></td> <td></td> <td></td> <td></td> <td></td> <td></td> </tr> <tr> <td>120~400</td> <td>±0.50</td> <td></td> <td></td> <td></td> <td></td> <td></td> <td></td> <td></td> <td>Drawing-No.</td> </tr> <tr> <td>DIM</td> <td>Tol</td> <td></td> <td></td> <td></td> <td></td> <td colspan="2" rowspan="3"> </td> <td rowspan="3"> ASS_5283_CO rev00 </td> <td rowspan="3"> Sheet 2/4 </td> </tr> <tr> <td>Angle</td> <td>±1°</td> <td>Ⓢ</td> <td>Drawn</td> <td>17.08.2017</td> <td>S.Bölling</td> <td>Replace</td> </tr> <tr> <td>Angle</td> <td>Tol</td> <td>Id.</td> <td>Modification</td> <td>Date</td> <td>Name</td> <td></td> </tr> </tbody> </table>					Scale	Free					Date	Name	Customer-No.	TOLERANCE						Drawn	17.08.2017	S.Bölling	ASSMANN WSW-No. ACOV-SUB-15MB42	0~6	±0.10					Approved	17.08.2017	S.Bölling	6~30	±0.20								30~120	±0.30								120~400	±0.50								Drawing-No.	DIM	Tol							ASS_5283_CO rev00	Sheet 2/4	Angle	±1°	Ⓢ	Drawn	17.08.2017	S.Bölling	Replace	Angle	Tol	Id.	Modification	Date	Name		G
Scale	Free					Date	Name	Customer-No.																																																																														
TOLERANCE						Drawn	17.08.2017	S.Bölling	ASSMANN WSW-No. ACOV-SUB-15MB42																																																																													
0~6	±0.10					Approved	17.08.2017	S.Bölling																																																																														
6~30	±0.20																																																																																					
30~120	±0.30																																																																																					
120~400	±0.50								Drawing-No.																																																																													
DIM	Tol							ASS_5283_CO rev00	Sheet 2/4																																																																													
Angle	±1°	Ⓢ	Drawn	17.08.2017	S.Bölling					Replace																																																																												
Angle	Tol	Id.	Modification	Date	Name																																																																																	
H	H																																																																																					
	1	2	3	4	5	6	7	SV4382																																																																														

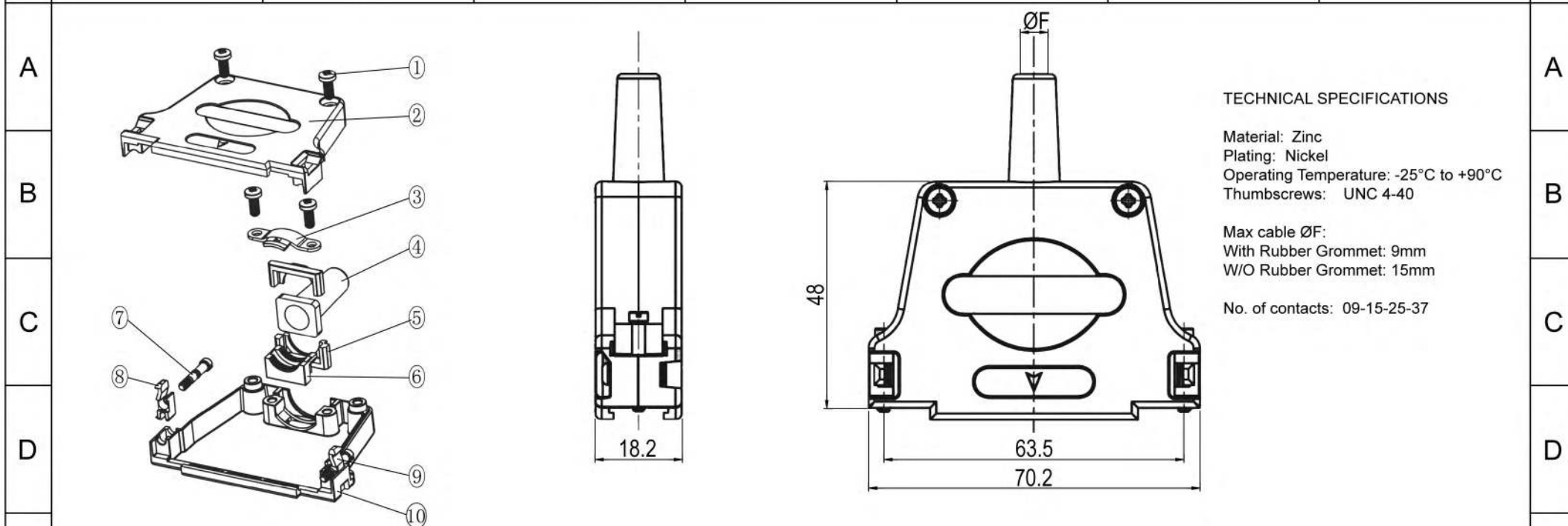


TECHNICAL SPECIFICATIONS
 Material: Zinc
 Plating: Nickel
 Operating Temperature: -25°C to +90°C
 Thumbscrews: UNC 4-40
 Max cable ØF:
 With Rubber Grommet: 8mm
 W/O Rubber Grommet: 12.5mm
 No. of contacts: 09-15-25-37

Item	QTY	Part description
1	4	Screw
2	1	Upper hood
3	1	Cable clamp
4	1	Rubber grommet
5	2	Reduction plate
6	1	Plastic Insert
7	2	Jackscrew UNC4-40
8	1	Latch-1
9	1	Latch-2
10	1	Lower hood

RoHS compliant
 Unit: mm

Scale	Free				Date	Name	Customer-No.
TOLERANCE					Drawn	17.08.2017	S.Bölling
0~6	±0.10				Approved	17.08.2017	S.Bölling
6~30	±0.20						
30~120	±0.30						
120~400	±0.50						
DIM	Tol	© Drawn	17.08.2017	S.Bölling			
Angle	±1°						
Angle	Tol				Id.	Modification	Date



TECHNICAL SPECIFICATIONS

Material: Zinc
 Plating: Nickel
 Operating Temperature: -25°C to +90°C
 Thumbscrews: UNC 4-40

Max cable ØF:
 With Rubber Grommet: 9mm
 W/O Rubber Grommet: 15mm

No. of contacts: 09-15-25-37

Item	QTY	Part description
1	4	Screw
2	1	Upper hood
3	1	Cable clamp
4	2	Rubber grommet
5	1	Reduction plate
6	1	Plastic Insert
7	2	Jackscrew UNC4-40
8	1	Latch-1
9	1	Latch-2
10	1	Lower hood

RoHS compliant
 Unit: mm

Scale	Free				Date	Name	Customer-No.	
TOLERANCE					Drawn	17.08.2017	S.Bölling	
0~6	±0.10				Approved	17.08.2017	S.Bölling	
6~30	±0.20						ASSMANN WSW-No. ACOV-SUB-37MB42	
30~120	±0.30						Drawing-No.	
120~400	±0.50						ASS_5283_CO	
DIM	Tol						rev00	
Angle	±1°	Ⓢ	Drawn	17.08.2017			S.Bölling	Replace
Angle	Tol	Id.	Modification	Date			Name	Sheet 4/4