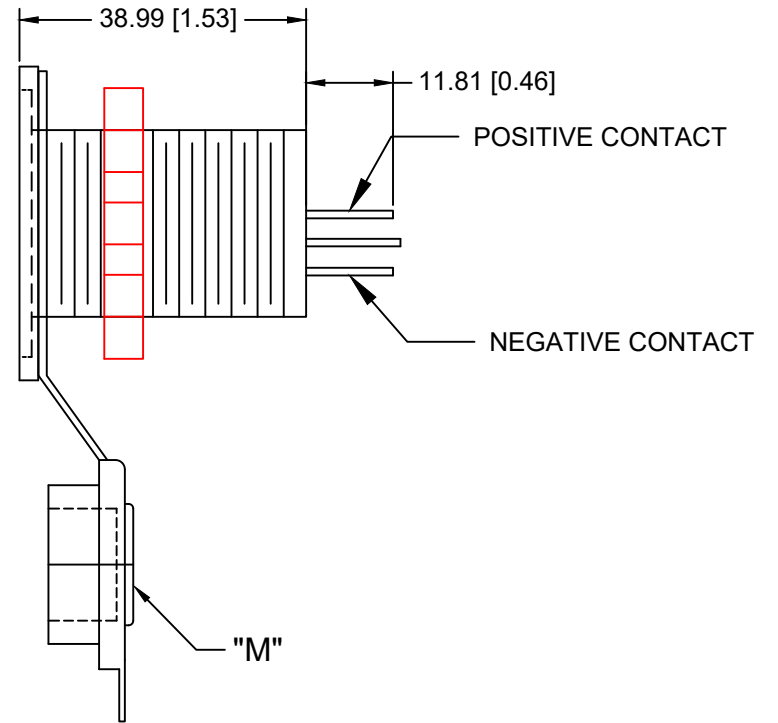
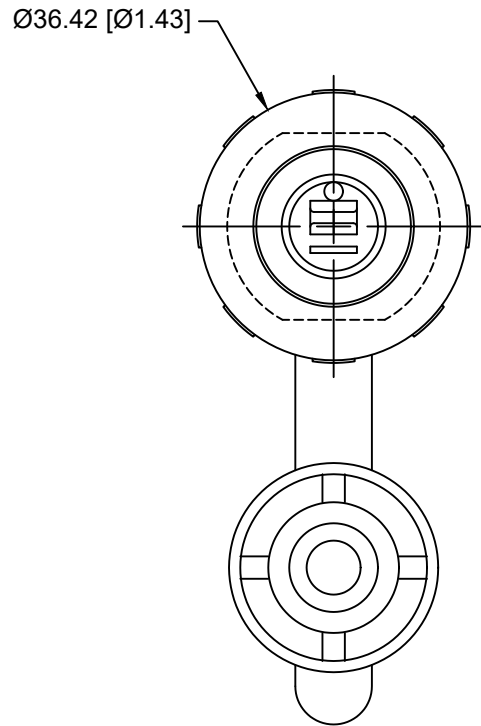
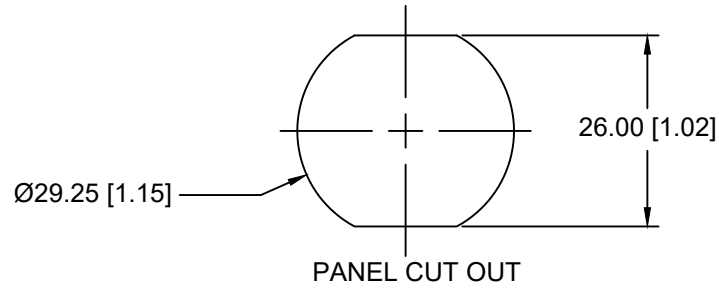



Date	SYM	REVISION RECORD	AUTH	DR.	CK.



**MATERIAL SPECIFICATION:**

COVER: PVC, WATER PROOF IP66,  
 BODY: FLAME RETARDANT NYLON, GLASS FIBER  
 REINFORCED  
 CONTACTS: 0.250" QUICK CONNECT TERMINALS  
 PANEL MOUNT WITH FIXING SCREW NUT  
 RATING: 15AMP  
 ROHS COMPLIANT

Tolerance (Except as noted)	 <b>Memory Protection Devices, Inc</b> 200 Broad Hollow Road, Farmingdale, New York 11735	Scale	Drawn By B.S.
		decimal ±.5 (.020)	Approved By T.B.
Fractional ± .8 (.030)	Title 1 1/8" DIN MERIT SOCKET, 15AMP		
Angular ± 3°	Date 12/23/22	Drawing Number AS216	